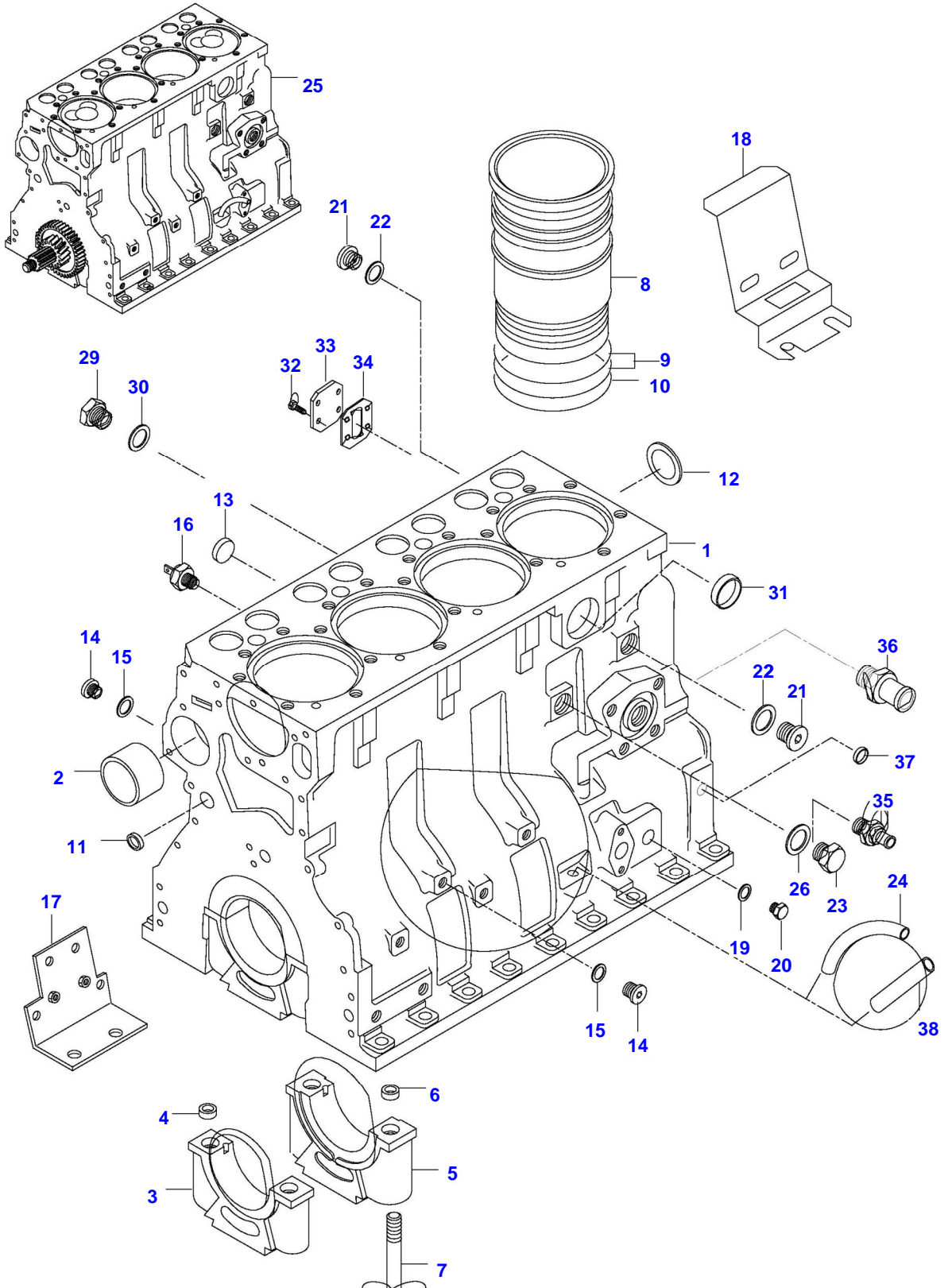


Page Number	Page Title	Page Reference
01-000-TOC	ENGINE, FUEL AND EXHAUST SYSTEM	01-000-TOC
02-000-TOC	AXLES	02-000-TOC
03-000-TOC	STEERING SYSTEM	03-000-TOC
04-000-TOC	DRIVE TRAIN SYSTEM	04-000-TOC
05-000-TOC	BRAKE SYSTEM	05-000-TOC
06-000-TOC	COMPRESSED AIR SYSTEM	06-000-TOC
07-000-TOC	HYDRAULIC SYSTEM	07-000-TOC
08-000-TOC	ELECTRICAL SYSTEM	08-000-TOC
09-000-TOC	CAB	09-000-TOC
10-000-TOC	AIR CONDITIONING AND HEATING SYSTEM	10-000-TOC
11-000-TOC	CHASSIS	11-000-TOC
12-000-TOC	DECALS	12-000-TOC
13-000-TOC	WHEELS	13-000-TOC
14-000-TOC	IMPLEMENT DRIVE SYSTEM	14-000-TOC
15-000-TOC	IMPLEMENT LIFT SYSTEM FRONT	15-000-TOC
16-000-TOC	IMPLEMENT LIFT SYSTEM REAR	16-000-TOC
17-000-TOC	PRECISION FARMING SYSTEMS	17-000-TOC
18-000-TOC	ATTACHMENTS	18-000-TOC
19-000-TOC	GENERAL INFORMATION	19-000-TOC

Page Number	Page Title	Page Reference
01-0001	CYLINDERBLOCK	21-02
01-0002	FLYWHEEL AND HOUSING	21-06
01-0003	CYLINDER HEAD	21-08
01-0004	VALVE MECHANISM	21-12
01-0005	CRANK MECHANISM	21-16
01-0006	GEAR HOUSING	21-20
01-0007	OIL FILTER	21-24
01-0008	OIL SUMP	21-30
01-0009	AIR CLEANER	21-36
01-0010	INTAKE- AND EXHAUST PIPE	21-40
01-0011	MUFFLER	21-46
01-0012	TURBOCHARGER	21-52
01-0013	COLD STARTING DEVICE	21-56
01-0014	FUEL FILTER	22-04
01-0015	PREFILTER, FUEL	22-10
01-0016	FUEL PIPES	22-12
01-0017	INJECTION PUMP	22-14
01-0018	SPEED LEVERS	22-22
01-0019	RADIATOR	23-02
01-0020	COOLANT PUMP	23-06
	-K6490(M)	
01-0021	COOLANT PUMP	23-06A
	K6491-(M)	
01-0022	STARTERMOTOR	31-02
	-P06276	
01-0023	STARTERMOTOR	31-02A
	P06277-	
01-0024	ALTERNATOR	31-04
01-0025	ALTERNATOR	31-06
	-N11770(M)	
01-0026	GASKET SETS	28-02
01-0027	GASKET SETS	28-06
01-0028	ENGINE REPAIR KIT AND BEARING	28-10
01-0029	ADJUSTING PLATE FOR INJECTOR	28-14
01-0030	SHIELD COVER AIR CLEANER (OPTIONAL EQUIPMENT)	29-18
01-0031	CATALYZER (OPTIONAL EQUIPMENT)	29-24
	PILLAR EXHAUST PIPE	
01-0032	ENGINE HEATER (OPTIONAL EQUIPMENT)	39-06

6650HI TRACTOR (HITECH SERIES)
SPIMG-008-21-02



<https://www.ebooklibonline.com>

Hello dear friend!

Thank you very much for reading.

Enter the link into your browser.

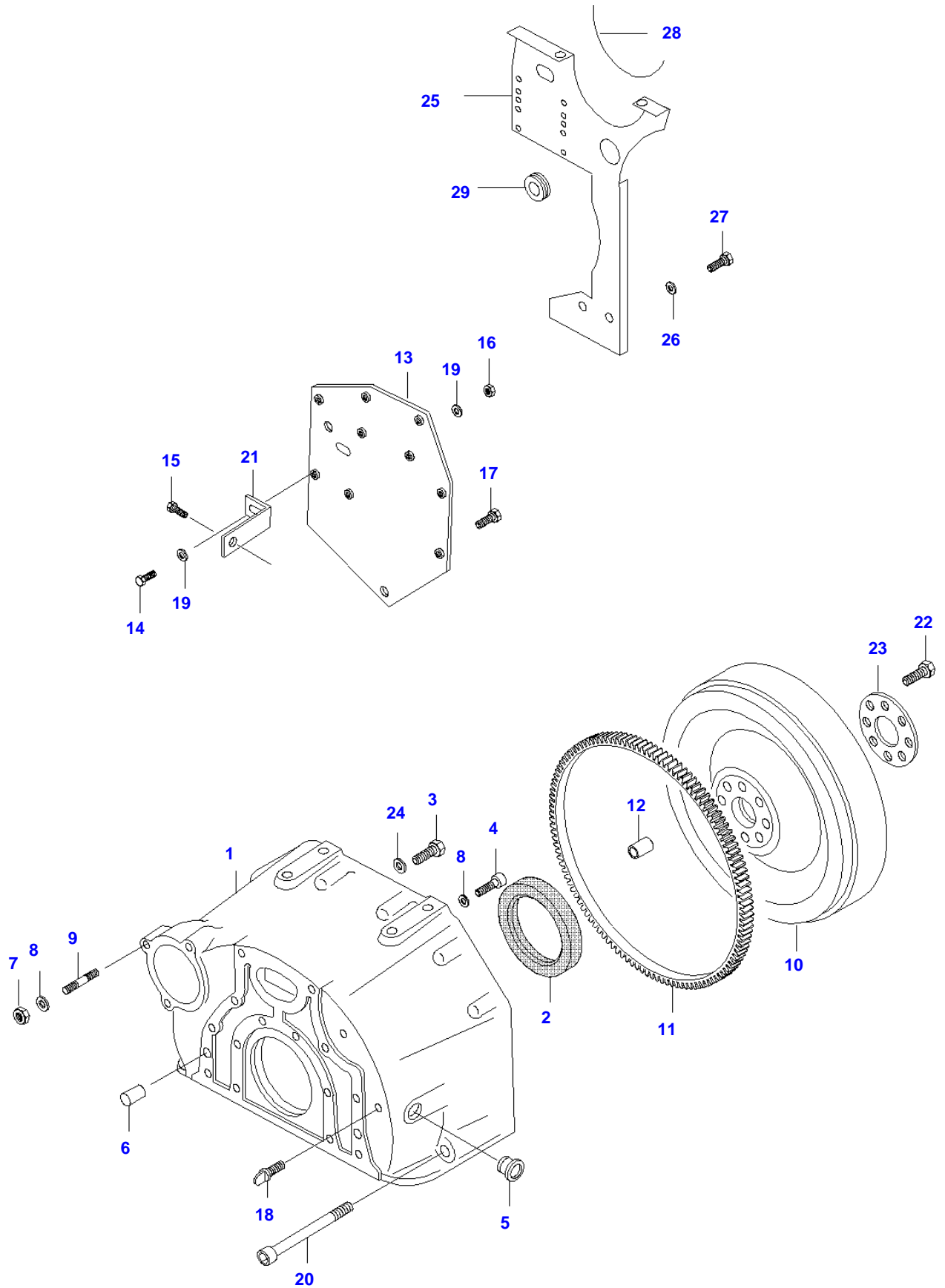
The full manual is available for immediate download.

<https://www.ebooklibonline.com>

Item	Part Number	Qty	Description Comments	Technical Specification
1	V836766377	1	CYLINDER BLOCK	
2	V836866069	1	CAMSHAFT BEARING BUSHING	
3	NS	4	NON-SERVICEABLE PART	
4	V836214478	8	BEARING COVER GUIDE SLEEVE	
5	NS	1	NON-SERVICEABLE PART	
6	V836214478	2	BEARING COVER GUIDE SLEEVE	
7	V835329030	10	HEX CAP SCREW	
8	V836666990	4	LINER	
	V836647933		LINER FLANGE S=9.08	FLANGE HEIGHT + 0.05 MM
	V836647934		LINER FLANGE S=9.13	FLANGE HEIGHT + 0.10 MM
	V836647935		LINER FLANGE S=9.23	FLANGE HEIGHT + 0.15 MM
9	V836647502	8	CYLINDER LINER O-RING S2	
10	V836647503	4	CYLINDER LINER O-RING S2	
11	V640016016	4	CUP PLUG	
12	V836529872	1	PLUG	
13	V640016018	1	CUP PLUG	
14	V640325110	2	SCREW PLUG	
15	V615571014	2	SEALING WASHER S2	
16	V887283760	1	PRESSURE SWITCH REF. 3	
17	V836647927	1	RETAINING PLATE LEFT	
	V836647926	1	RETAINING PLATE RIGHT	
18	V836755844	2	SUPPORT	
19	V615881216	1	SEALING WASHER S2	
20	V640045112	5	PLUG	
21	V640325018	2	PLUG	
22	V615881822	2	SEALING WASHER	
23	V836019756	1	PLUG	
24	V836129747	1	OIL DIPSTICK GUIDE PIPE -R13715(M)	
38	V836666910	1	OIL DIPSTICK GUIDE PIPE R13716-(M)	
25	V862640001	1	REMANUFACTURED SHORT BLOCK ENGINE	
26	V615881824	1	SEALING WASHER S2	
29	V836119079	1	PLUG	
30	V615881620	1	SEALING WASHER	
31	V640016040	1	CUP PLUG	
32	V528801362	4	HEX CAP SCREW N11771-(M)	
33	V836866957	1	COVER N11771-(M)	
34	V836866958	1	GASKET N11771-(M)	
35	V836664377	1	DRAIN VALVE	
36	V836119837	1	HOSE COUPLER	

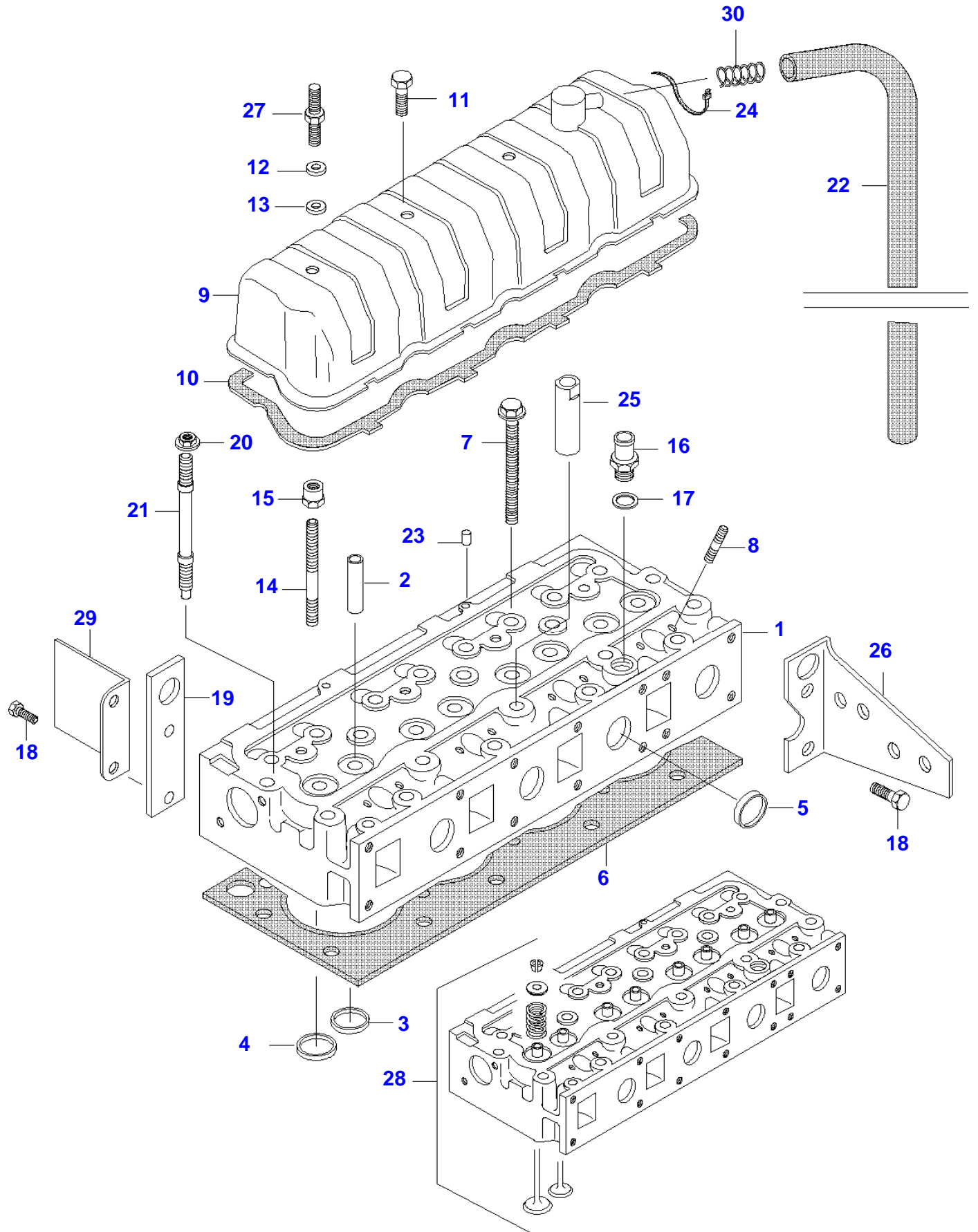
Item	Part Number	Qty	Description Comments	Technical Specification
37	V640016020	1	CUP PLUG	
	V836740280	1	ENGINE GASKET KIT S1	
	V836740281	1	ENGINE GASKET KIT S1+S2	

6650HI TRACTOR (HITECH SERIES)
SPIMG-008-21-06



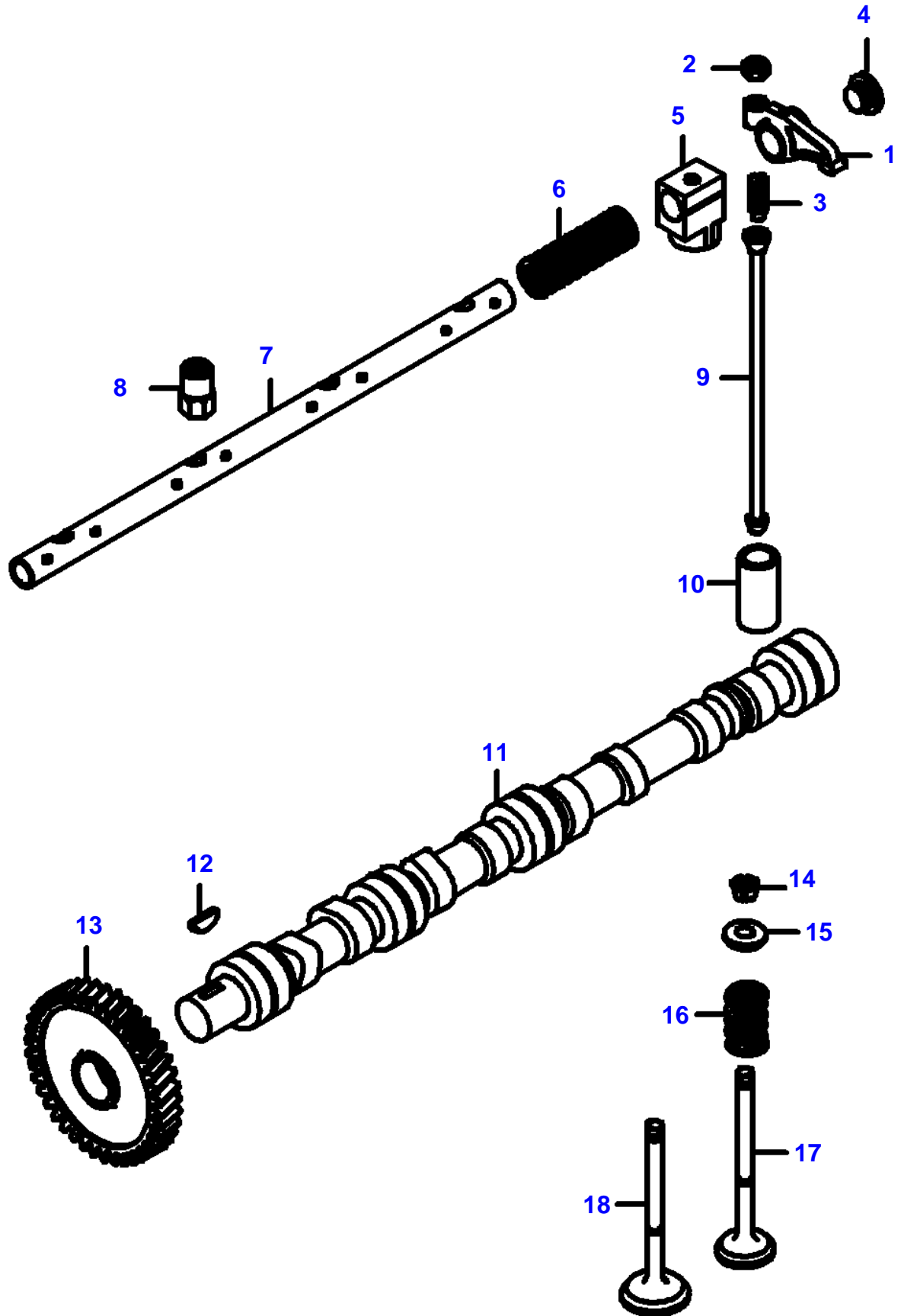
Item	Part Number	Qty	Description Comments	Technical Specification
1	V836647439	1	FLYWHEEL HOUSING	
2	V614500002	1	CRANKSHAFT SEAL S2	
3	V529702220	8	HEX CAP SCREW	
4	V581705030	6	HEX SOCKET SCREW	
5	V836007572	1	RUBBER PLUG	
6	V598359850	2	PIN	
7	V504601000	3	NUT	
8	V500951000	9	SPRING WASHER	
9	V546801800	3	STUD BOLT	
10	V836659990	1	FLYWHEEL SASCH	
	V836659502	1	FLYWHEEL VOITH -666065	
	V836759820	1	FLYWHEEL VOITH 666066-	
11	V835328783	1	STARTER RING	
12	V836659527	1	GUIDE SLEEVE	
13	V836759798	1	BRACKET	
14	V528801362	1	HEX CAP SCREW	
15	V528801760	1	HEX CAP SCREW	
16	V504800800	1	NUT	
17	V528802180	1	HEX CAP SCREW	
18	V836859311	1	PLUG	
19	V500150842	2	WASHER	
20	VHC8519	2	HEX SOCKET SCREW	M12 X 140 DIN912 8.8
21	V836755361	1	SUPPORT	
22	V529702250	8	HEX CAP SCREW	
23	V836355864	1	RING	
24	V500951200	8	SPRING WASHER	
25	V34172400	1	HOLDER	
26	VJD0408	2	WASHER	M8
27	VHA6322	2	SCREW	M8 X 16 SFS_EN_ISO_4017 8.8
28	V32604200	1	BAND	
29	ACV0799330	1	GROMMET	

6650HI TRACTOR (HITECH SERIES)
SPIMG-008-21-08



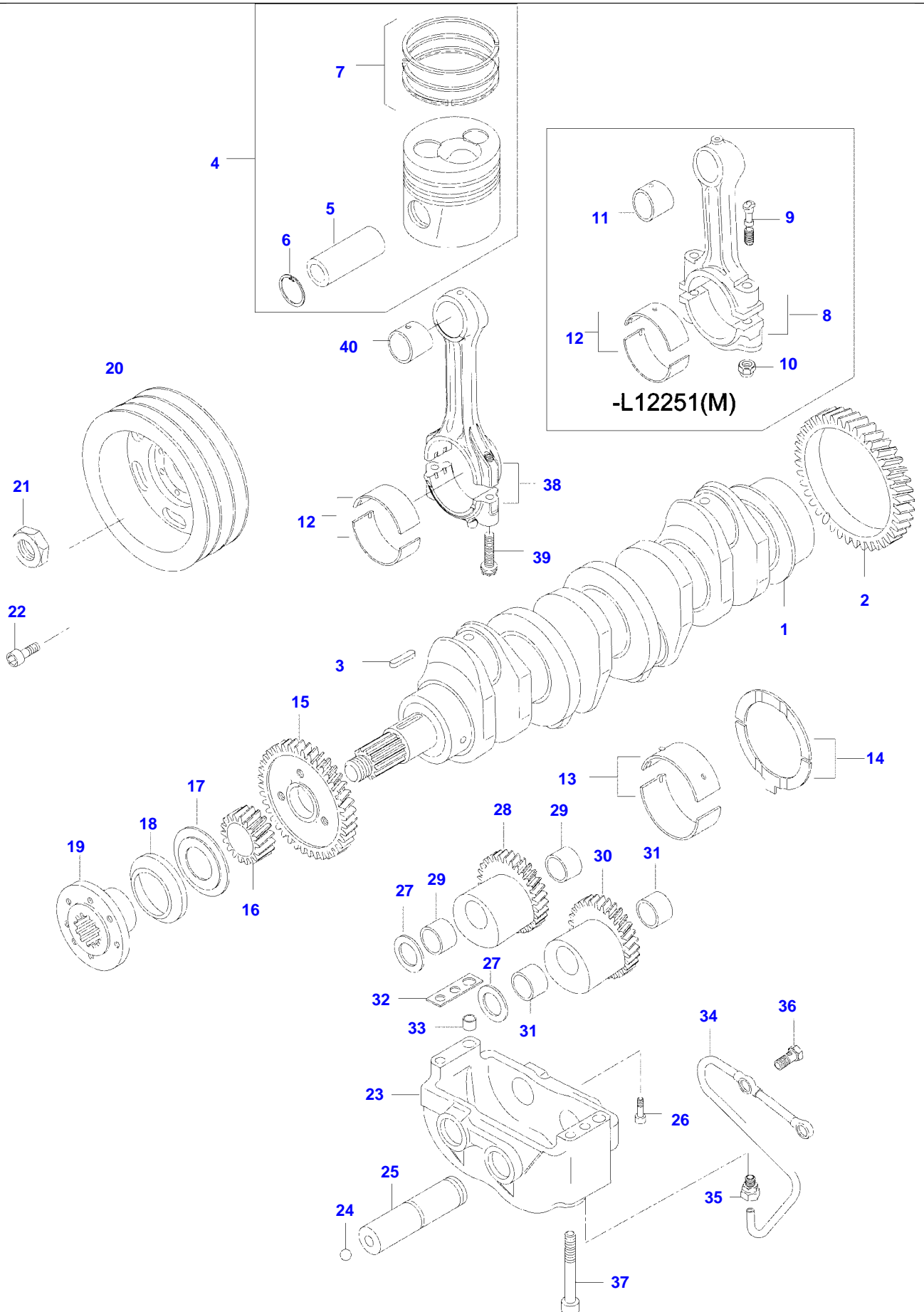
Item	Part Number	Qty	Description Comments
1	V836755385	1	CYLINDER HEAD
2	V836647601	8	GUIDE
3	V836647600	4	VALVE SEAT
4	V836647936	4	EXHAUST VALVE SEAT
5	V836647942	8	INTAKE CUP PLUG
6	V837070291	1	CYLINDER HEAD GASKET S1
7	V836859104	19	HEXAGON FLANGE BOLT
8	V546901435	8	STUD BOLT
9	V836746361	1	VALVE ROCKER COVER
10	V836746362	1	VALVE ROCKER COVER GASKET S1
11	V528801780	3	HEX CAP SCREW
12	V836119855	4	WASHER
13	V836012841	4	RUBBER BUSHING S1
14	V546801900	4	STUD BOLT
15	V836655406	4	SLEEVE NUT
16	V836119837	1	HOSE COUPLER
17	V615881822	1	SEALING WASHER S1
18	V528801800	4	HEX CAP SCREW M10
19	V836855349	2	LIFT EYE
20	V836859110	3	NUT
21	V836859109	3	STUD BOLT
22	V836647814	1	RUBBER HOSE
23	V595959140	2	PIN
24	V835329746	1	CABLE TIE
25	V836647835	1	LIFTING EYE EXTENSION
27	V836659175	1	STUD BOLT
28	V836740869	1	CYLINDER HEAD
29	V836666199	1	HEAT SHIELD
30	V836659103	1	SPRING

6650HI TRACTOR (HITECH SERIES)
SPIMG-008-21-12



Item	Part Number	Qty	Description Comments
1	V836767044	1	ROCKER SHAFT ASM
1	V836666608	8	ROCKER ARM
			.
			-S12222 (M)
	V836667042	8	ROCKER ARM
			.
			S12223- (M)
2	V512861000	8	NUT
			..
3	V836655866	8	ADJUSTING SCREW
			..
			-S12222 (M)
	V837069023	8	VALVE ROCKER ADJUSTMENT SCREW
			..
			S12223- (M)
4	V836655899	2	PLUG
			.
			-S12222 (M)
	V837069020	2	PLUG
			.
			S12223- (M)
5	V836655869	4	BRACKET
			.
6	V836655884	3	SPRING
			.
7	V836755871	1	SHAFT
			.
8	V836655406	4	SLEEVE NUT
9	V836655867	8	PUSHROD
10	V836014264	8	TAPPET
11	V836746375	1	CAMSHAFT
12	V603305760	1	WOODRUFF KEY
13	V836646389	1	GEAR,CAMSHAFT
14	V836646382	16	COTTER
15	V836646381	8	WASHER
16	V836646380	8	SPRING
17	V836646357	4	EXHAUST VALVE
18	V836646356	4	INTAKE VALVE

6650HI TRACTOR (HITECH SERIES)
SPIMG-008-21-16



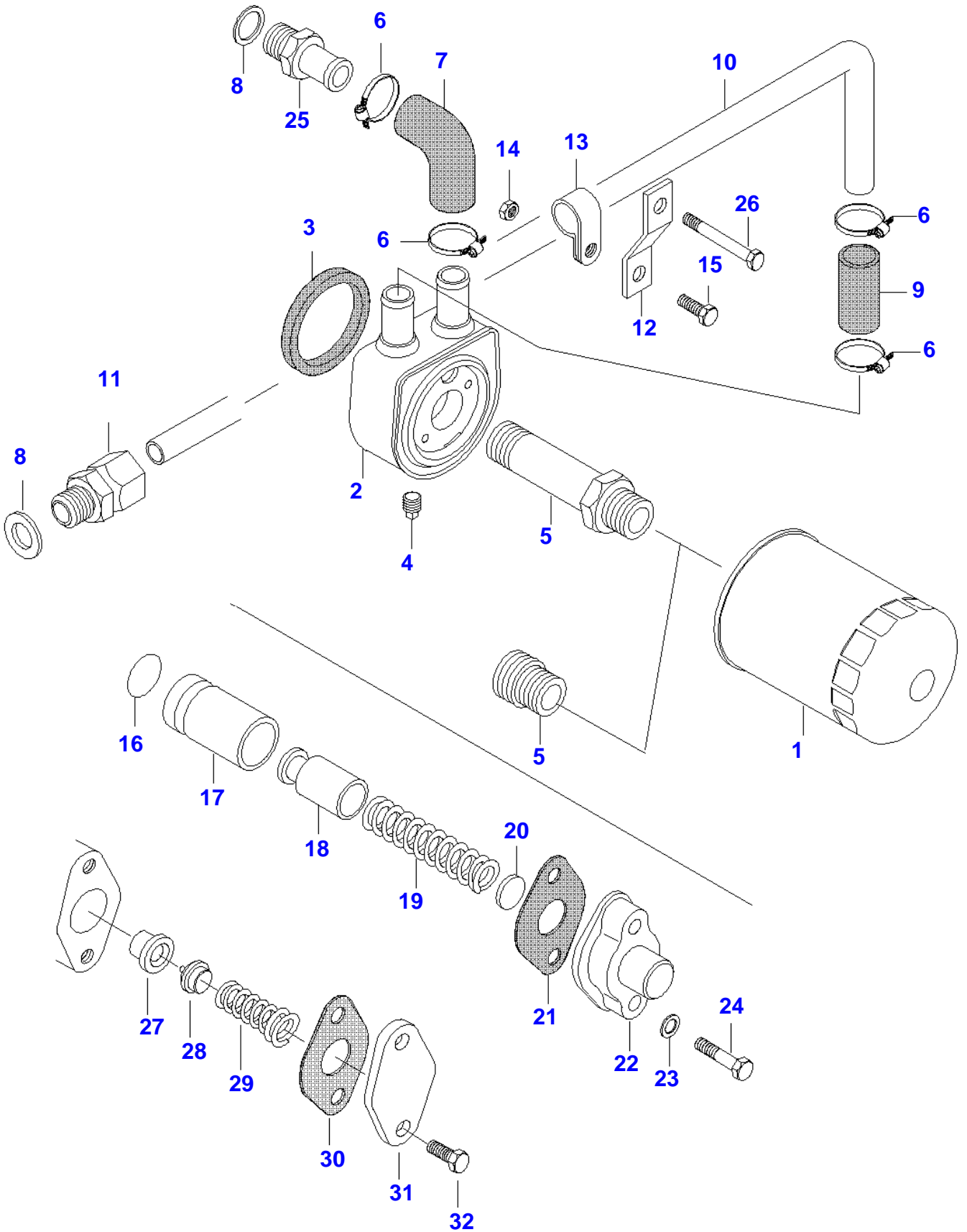
Item	Part Number	Qty	Description Comments	Technical Specification
1	V836747324	1	CRANKSHAFT	
2	V836124524	1	GEAR	
3	V603345110	1	KEY	
4	V836640073	4	PISTON	
5	NS	4	NON-SERVICEABLE PART	
6	NS	8	PISTON PIN NON-SERVICEABLE PART	
7	V836640078	4	CIRCLIP PISTON RING KIT	
8	V836647460	4	CONROD	
	V836652104		2150-2169 G X -L12251(M) CONROD	
	V836652105		2170-2189 G A -L12251(M) CONROD	
	V836652106		2190-2209 G B -L12251(M) CONROD	
	V836652107		2210-2229 G C -L12251(M) CONROD	
	V836652108		2230-2249 G D -L12251(M) CONROD	
	V836652109		2250-2269 G E -L12251(M) CONROD	
	V836652110		2270-2289 G H -L12251(M) CONROD	
	V836652111		2290-2309 G I -L12251(M) CONROD	
	V836652112		2310-2329 G J -L12251(M) CONROD	
	V836652113		2330-2349 G K -L12251(M) CONROD	
	V836652114		2350-2369 G L -L12251(M) CONROD	
	V836652115		2370-2389 G M -L12251(M) CONROD	
	V836652116		2390-2409 G N -L12251(M) CONROD	
	V836652117		2410-2429 G O -L12251(M) CONROD	
	V836652118		2430-2449 G P -L12251(M) CONROD	
	V836652119		2450-2469 G R -L12251(M) CONROD	
	V836652119		2470-2489 G S -L12251(M) CONROD	

Item	Part Number	Qty	Description Comments	Technical Specification
	V836652120		CONROD 2490-2509 G T -L12251(M)	
	V836652121		CONROD 2510-2529 G U -L12251(M)	
	V836740859	1	CONNECTING ROD KIT INCLUDES: REF. 38-40 L12252-(M)	
38	NS		NON-SERVICEABLE PART CONNECTING ROD 1935-1954 G F L12252-(M)	
	NS		NON-SERVICEABLE PART CONNECTING ROD 1955-1974 G V L12252-(M)	
	NS		NON-SERVICEABLE PART CONNECTING ROD 1975-1994 G X L12252-(M)	
	NS		NON-SERVICEABLE PART CONNECTING ROD 1995-2014 G Y L12252-(M)	
	NS		NON-SERVICEABLE PART CONNECTING ROD 2015-2034 G W L12252-(M)	
	NS		NON-SERVICEABLE PART CONNECTING ROD 2035-2054 G Z L12252-(M)	
	NS		NON-SERVICEABLE PART CONNECTING ROD 2055-2074 G G L12252-(M)	
9	V836646204	8	CONNECTING ROD BOLT . -L12251(M)	
39	V836864141	8	CONNECTING ROD BOLT . L12252-(M)	
10	V836646205	8	NUT . -L12251(M)	
11	V836646271	4	BEARING BUSH . -L12251(M)	
40	V836110646	4	BEARING BUSH . L12252-(M)	STD
12	V836110552	4	BEARING SHELL SEE PAGE 01-0028	
13	V836655514	5	MAIN BEARING SEE PAGE 01-0028	
14	V836119459	2	THRUST WASHER SEE PAGE 01-0028	
15	V836119550	1	GEAR,CRANKSHAFT	
16	V836122840	1	GEAR,CRANKSHAFT	
17	V836129781	1	RING	
18	V836136271	1	SHIELD -P10523(M)	
19	V836846463	1	CRANKSHAFT HUB	
20	V836655534	1	CRANKSHAFT V-BELT PULLEY	

Item	Part Number	Qty	Description Comments	Technical Specification
21	V836647310	1	CRANKSHAFT NUT	
22	V581804600	6	HEX SOCKET SCREW	
23	V836747349	1	BALANCER	
			-L10351(M)	
	V836766123	1	COUNTERWEIGHT	
			L10352-(M)	
24	V616810103	2	BALL	
25	V836146879	2	SHAFT	
26	V581804200	2	HEX SOCKET SCREW	
27	V836146880	4	THRUST WASHER	
28	V836146877	1	GEAR	
			-L10351(M)	
	V836766121	1	COUNTERWEIGHT	
			L10352-(M)	
29	V836146876	2	BEARING BUSH	
30	V836146878	1	GEAR	
			-L10351(M)	
	V836766122	1	COUNTERWEIGHT	
			L10352-(M)	
31	V836146876	2	BEARING BUSH	
32	V836119920		SHIM	
33	V598359850	2	PIN	
34	V836747298	1	OIL PIPE	
35	V641016008	1	STRAIGHT FITTING	
36	V640435008	2	BANJO BOLT	
37	V581805170	4	HEX SOCKET SCREW	

Item	Part Number	Qty	Description Comments
1	V836647865	1	TIMING GEAR CASE
2	V836647419	1	GASKET S2
3	V528801400	11	HEX CAP SCREW
4	V546801380	4	STUD BOLT
5	V598359850	4	PIN
6	V529801440	2	HEX CAP SCREW
7	V836129709	1	SHAFT
8	V836129863	1	IDLER GEAR
9	V836129844	1	BEARING BUSH
10	V836129845	1	FLANGE
11	V528801860	1	HEX CAP SCREW
12	V529902680	1	HEX CAP SCREW
13	V836647572	1	GEAR HOUSING FRONT COVER
14	V836129942	1	GASKET S2
15	V836129782	1	COVER
16	V614105880	1	OIL SEAL S2
17	V640016016	1	CUP PLUG
18	V504800800	5	NUT
19	V528801380	3	HEX CAP SCREW
20	V836746921	1	PIPE
21	V836129946	1	GASKET S2
22	V528801420	4	HEX CAP SCREW
23	V529801500	2	HEX CAP SCREW
24	V529801470	3	HEX CAP SCREW
25	V836120989	1	WASHER
26	V614604740	1	O-RING S2
27	V836338733	1	OIL FILLER CAP
28	V836659804	1	THROTTLE SENSOR BRACKET -K14472(M)
	V836664528	1	THROTTLE SENSOR BRACKET K14473-(M)
29	V529801450	1	HEX CAP SCREW
30	V836083428	1	CABLE TIE
31	V528801362	3	HEX CAP SCREW

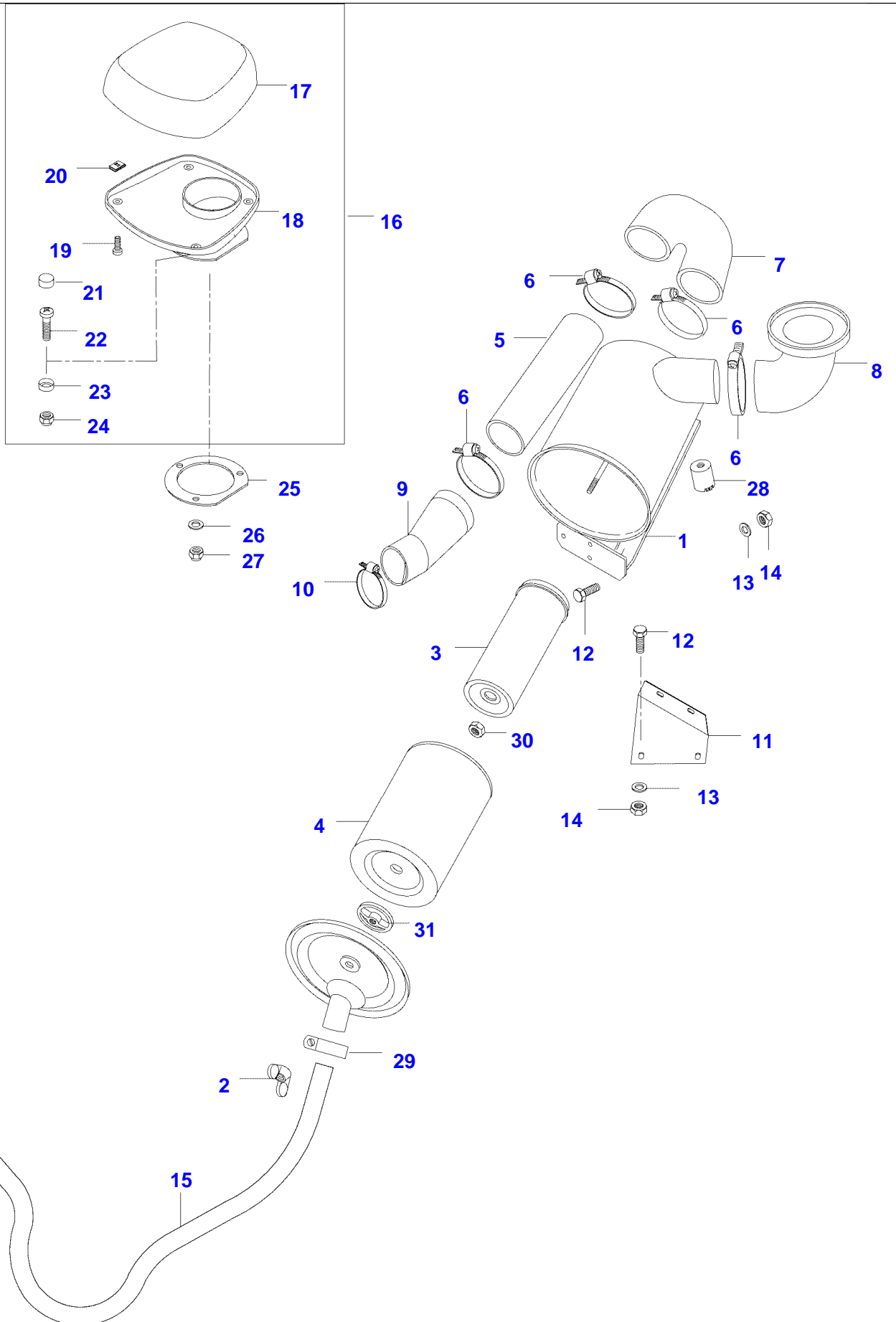
6650HI TRACTOR (HITECH SERIES)
SPIMG-008-21-24



Item	Part Number	Qty	Description Comments
1	V836162572	1	ENGINE OIL FILTER
5	V836647404	1	UNION
	V835340042	1	OIL PRESSURE CONTROL VALVE -J7600(M)
16	V614601524	1	O-RING
			.
			S2
17	V836117834	1	CYLINDER
			.
18	V836338850	1	OIL PRESSURE CONTROL VALVE
			.
19	V836117836	1	SPRING
			.
20	V836020290	1	INJECTOR SHIM
			.
21	V836322190	1	GASKET
			.
			S2
22	V836129849	1	COVER
23	V500950800	2	SPRING WASHER
24	V528801420	2	HEX CAP SCREW
	V836662129	1	OIL PRESSURE CONTROL VALVE J7601-(M)
27	V836659521	1	VALVE SEAT
			.
28	V836659522	1	VALVE CONE
			.
29	V836659523	1	SPRING
			.
30	V836322190	1	GASKET
			.
			S2
31	V836659524	1	COVER
			.
32	V528801380	2	HEX CAP SCREW
			.
			M8 X 20

Item	Part Number	Qty	Description Comments
1	V836136014	1	OIL SUMP V30146600
2	V836129728	1	OIL SUMP GASKET S2
3	V836129727	2	GASKET S2
4	V529702270	11	HEX CAP SCREW
5	V529902390	7	HEX CAP SCREW
6	V504801200	18	NUT
7	V615881827	1	SEALING WASHER S2
8	V836655493	1	PLUG
9	V836129939	1	DIPSTICK -R13715(M)
	V836767743	1	DIPSTICK R13716-(M) BLUE
	V836652605	1	LUBRICATING OIL PUMP
10	V504861000	1	NUT
11	V836122910	1	WASHER
12	V836338667	1	GEAR
13	V836120195	1	HOUSING
14	V836120191	1	OIL PUMP SHAFT
15	V528801380	2	HEX CAP SCREW
16	V836652600	1	OIL PUMP SHAFT
17	V836120193	1	GEAR
18	V836119796	1	GASKET S2
19	V836129412	1	COVER
20	V529801440	2	HEX CAP SCREW
21	V581704800	2	HEX SOCKET SCREW
22	V836007871		SHIM
23	V581805050	2	HEX SOCKET SCREW
24	V836008449	3	GASKET S2
25	V581804600	4	HEX SOCKET SCREW
26	V836766983	1	OIL PIPE
27	V528801760	1	HEX CAP SCREW
28	V836138033	1	AIR PIPE
29	V836766984	1	ADAPTER FLANGE
30	V614701830	1	O-RING
31	V581804680	2	HEX SOCKET SCREW

6650HI TRACTOR (HITECH SERIES)
SPIMG-008-21-36



Item	Part Number	Qty	Description Comments	Technical Specification
	V33057500	1	AIR FILTER ASSEMBLY -K23221	D=225
	V33057510	1	AIR FILTER ASSEMBLY K23222-	D=225
1	NS	1	NON-SERVICEABLE PART . HOUSING	
30	VJB8905	1	LOCKNUT	M10 SFS_EN_ISO_10511
31	V35315600	1	NUT	
2	VJC1610	1	BLADE NUT	M10 DIN315 G5 ZNE
3	V836462569	1	SECONDARY AIR FILTER ELEMENT .	
4	V836462568	1	PRIMARY AIR FILTER ELEMENT .	
5	V33031600	1	TUBE	
6	VGP3933	4	HOSE CLIP	D=95 SMS2298
7	V33031900	1	CURVED RUBBER	
8	V33032100	1	CURVED RUBBER	
9	V32999400	1	TUBE	
10	VGP3942	1	HOSE CLIP	D=75 SMS2298
11	V32952300	1	CARRIER	
12	VHA6323	7	SCREW	M8 X 20 CL8.8
13	VJD0408	7	WASHER	M8
14	VJB8904	7	NUT	M8
15	V33032810	1	HOSE	L=1250
16	V33042610	1	COVER ASSEMBLY	
17	V33051700	1	COVER .	
18	V33045910	1	BOTTOM .	
19	VHN6646	4	SCREW	B 4.8 X 13 SFS-ISO_7049
20	VJC9001	4	NUT	B 4.8 SFS:EN_ISO_1478
21	V32604400	3	CUP	M6
22	VHA6313	3	SCREW	M6 X 16 ISO 8.8
23	V32667000	3	RING WASHER	M6
24	VJB1106	3	NUT	M6 SFS-EN_ISO_4032
25	V33052610	1	GASKET	
26	VJD0406	3	WASHER	6.4 X 1.6 SFS-EN_ISO_7089
27	VJB8903	3	LOCKNUT	M6 SFS_EN_ISO_7042
28	V33389600	1	SENSOR	6.5 KPA
29	VGP3919	2	HOSE CLIP	D=26-38 SMS2298



Suggest:

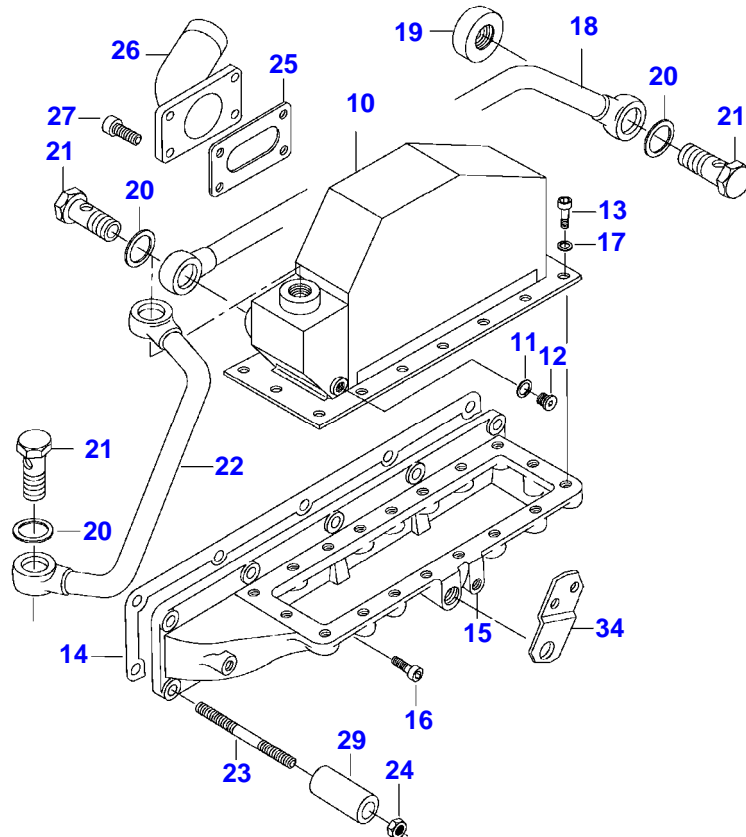
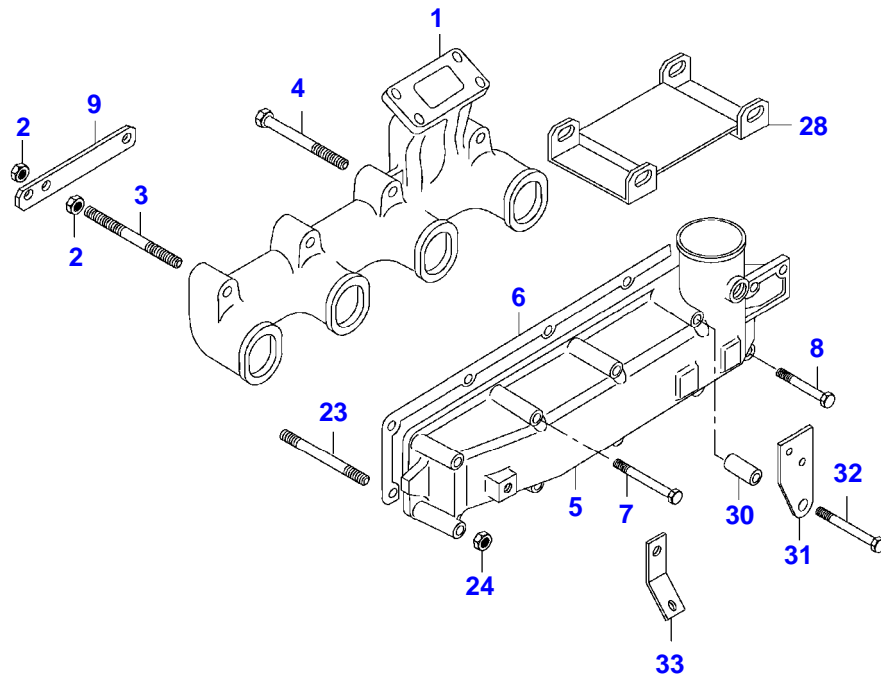
For more complete manuals. Please go to the home page.

<https://www.ebooklibonline.com>

If the above button click is invalid. Please download this document first, and then click the above link to download the complete manual.

Thank you so much for reading

6650HI TRACTOR (HITECH SERIES)
SPIMG-008-21-40



Item	Part Number	Qty	Description Comments
1	V836747524	1	EXHAUST MANIFOLD
2	V504601000	5	NUT
3	V546801960	3	STUD BOLT
4	V529801950	5	HEX CAP SCREW
5	V836747691	1	INTAKE MANIFOLD
6	V836747595	1	INTAKE MANIFOLD GASKET S1
7	V529801490	9	HEX CAP SCREW
8	V529801470	1	HEX CAP SCREW
9	V836755027	1	RETAINING PLATE
23	V546801510	1	STUD BOLT
24	V504800800	1	NUT
30	V836114846	1	SPACER J6786-(M)
31	V836664162	1	BRACKET J6786-(M)
32	V529801550	1	HEX CAP SCREW J6786-(M)
33	V836659276	1	SUPPORT J6786-(M)

<https://www.ebooklibonline.com>

Hello dear friend!

Thank you very much for reading.

Enter the link into your browser.

The full manual is available for immediate download.

<https://www.ebooklibonline.com>