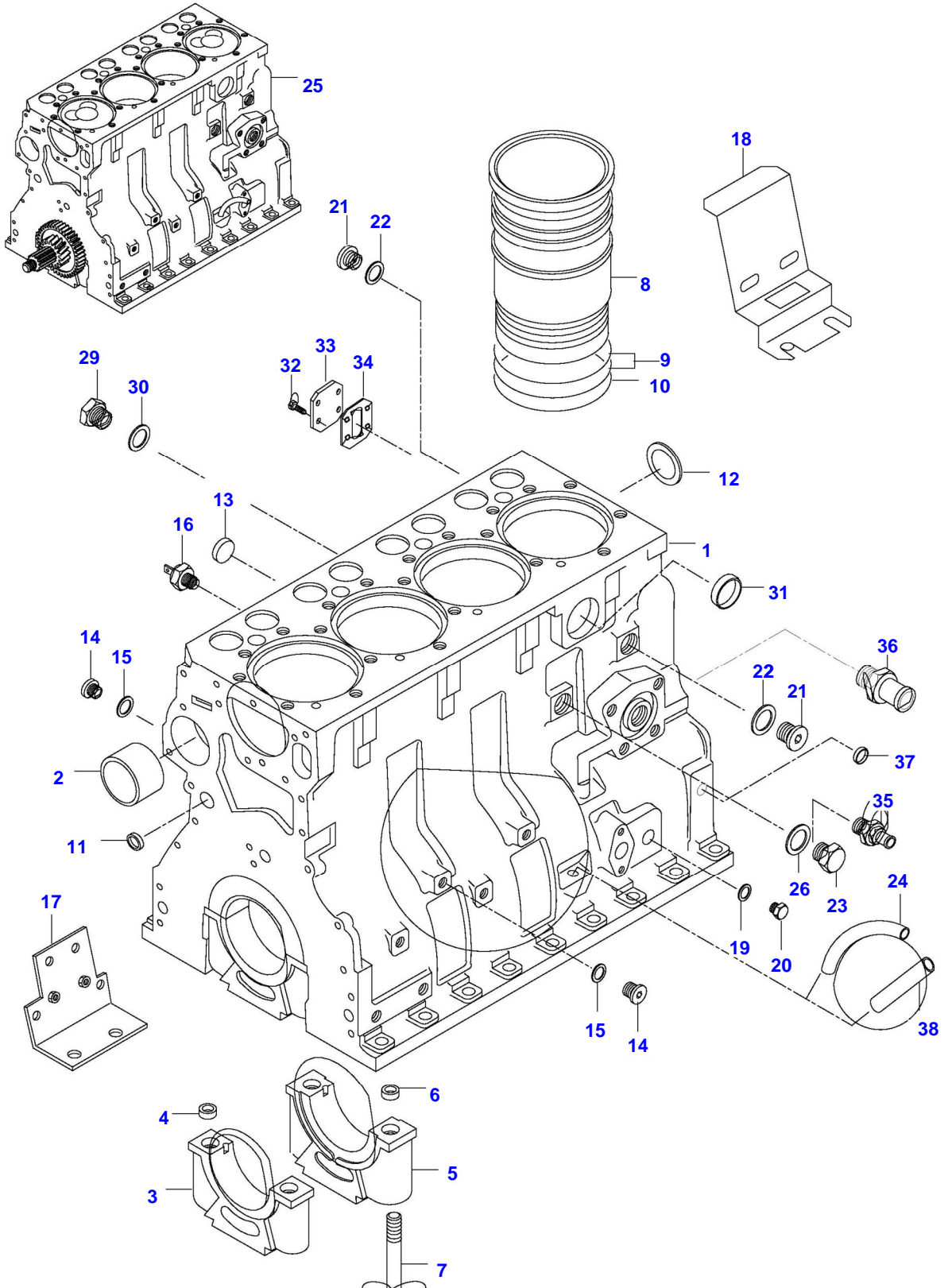


<b>Page Number</b>	<b>Page Title</b>	<b>Page Reference</b>
01-000-TOC	ENGINE, FUEL AND EXHAUST SYSTEM	01-000-TOC
02-000-TOC	AXLES	02-000-TOC
03-000-TOC	STEERING SYSTEM	03-000-TOC
04-000-TOC	DRIVE TRAIN SYSTEM	04-000-TOC
05-000-TOC	BRAKE SYSTEM	05-000-TOC
06-000-TOC	COMPRESSED AIR SYSTEM	06-000-TOC
07-000-TOC	HYDRAULIC SYSTEM	07-000-TOC
08-000-TOC	ELECTRICAL SYSTEM	08-000-TOC
09-000-TOC	CAB	09-000-TOC
10-000-TOC	AIR CONDITIONING AND HEATING SYSTEM	10-000-TOC
11-000-TOC	CHASSIS	11-000-TOC
12-000-TOC	DECALS	12-000-TOC
13-000-TOC	WHEELS	13-000-TOC
14-000-TOC	IMPLEMENT DRIVE SYSTEM	14-000-TOC
15-000-TOC	IMPLEMENT LIFT SYSTEM FRONT	15-000-TOC
16-000-TOC	IMPLEMENT LIFT SYSTEM REAR	16-000-TOC
17-000-TOC	PRECISION FARMING SYSTEMS	17-000-TOC
18-000-TOC	ATTACHMENTS	18-000-TOC
19-000-TOC	GENERAL INFORMATION	19-000-TOC

Page Number	Page Title	Page Reference
01-0001	CYLINDERBLOCK	21-02
01-0002	FLYWHEEL AND HOUSING	21-06
01-0003	CYLINDER HEAD	21-08
01-0004	VALVE MECHANISM	21-12
01-0005	CRANK MECHANISM	21-16
01-0006	GEAR HOUSING	21-20
01-0007	OIL FILTER	21-24
01-0008	OIL SUMP	21-30
01-0009	AIR CLEANER	21-36
01-0010	INTAKE- AND EXHAUST PIPE -N11770(M)	21-40
01-0011	INTAKE- AND EXHAUST PIPE N11771-(M)	21-40A
01-0012	MUFFLER	21-46
01-0013	TURBOCHARGER	21-52
01-0014	COLD STARTING DEVICE	21-56
01-0015	FUEL FILTER -N11770(M)	22-04
01-0016	FUEL FILTER N11771-(M)	22-04A
01-0017	PREFILTER, FUEL	22-10
01-0018	FUEL PIPES	22-12
01-0019	INJECTION PUMP -N11770(M)	22-14
01-0020	INJECTION PUMP N11771-(M)	22-14B
01-0021	SPEED LEVERS -N28100	22-22
01-0022	SPEED LEVERS N28101-	22-24
01-0023	RADIATOR	23-02
01-0024	COOLANT PUMP -K6490(M)	23-06
01-0025	COOLANT PUMP K6491-(M)	23-06A
01-0026	STARTERMOTOR -P06276	31-02
01-0027	STARTERMOTOR P06277-	31-02A
01-0028	ALTERNATOR	31-04
01-0029	ALTERNATOR	31-06
01-0030	ALTERNATOR N11771-(M)	31-10
01-0031	ELECTRICAL EQUIPMENT ENGINE, EEM PARTS N11771-(M)	33-22
01-0032	GASKET SETS	28-02
01-0033	GASKET SETS	28-06
01-0034	ENGINE REPAIR KIT AND BEARING	28-10
01-0035	ADJUSTING PLATE FOR INJECTOR	28-14
01-0036	SHIELD COVER AIR CLEANER (OPTIONAL EQUIPMENT)	29-18
01-0037	PILLAR EXHAUST PIPE (OPTIONAL EQUIPMENT)	29-20
01-0038	CATALYZER (OPTIONAL EQUIPMENT) PILLAR EXHAUST PIPE	29-24
01-0039	ENGINE HEATER (OPTIONAL EQUIPMENT)	39-06

6550HI TRACTOR (HITECH SERIES)  
SPIMG-008-21-02



**<https://www.ebooklibonline.com>**

Hello dear friend!

Thank you very much for reading.

Enter the link into your browser.

The full manual is available for immediate download.

**<https://www.ebooklibonline.com>**

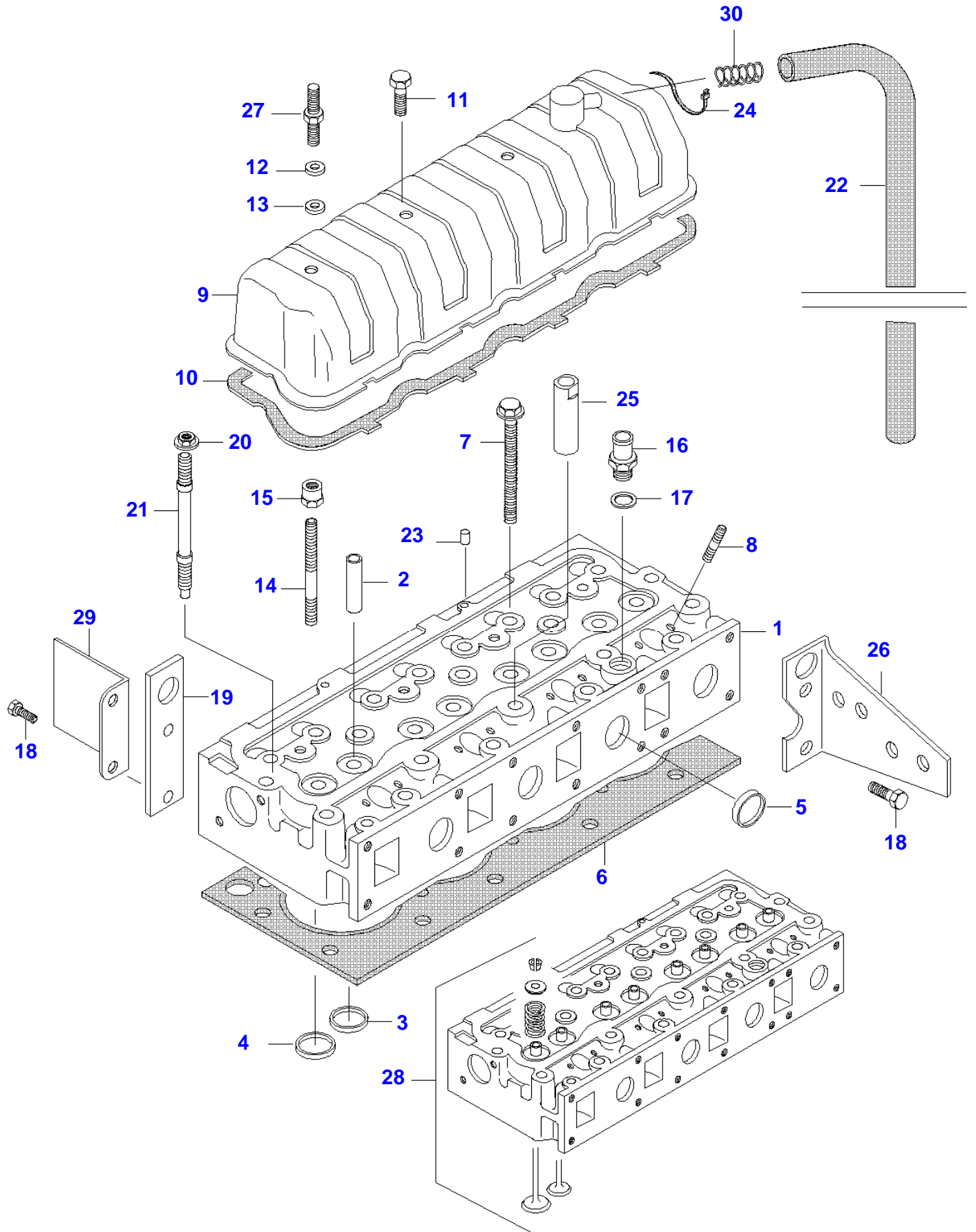
Item	Part Number	Qty	Description Comments	Technical Specification
1	V836766377	1	CYLINDER BLOCK	
2	V836866069	1	CAMSHAFT BEARING BUSHING	
3	NS	4	NON-SERVICEABLE PART	
4	V836214478	8	BEARING COVER GUIDE SLEEVE	
5	NS	1	NON-SERVICEABLE PART	
6	V836214478	2	BEARING COVER GUIDE SLEEVE	
7	V835329030	10	HEX CAP SCREW	
8	V836666990	4	LINER	FLANGE HEIGHT + 0.05 MM
	V836647933		LINER FLANGE S=9.08	
	V836647934		LINER FLANGE S=9.13	FLANGE HEIGHT + 0.10 MM
	V836647935		LINER FLANGE S=9.23	FLANGE HEIGHT + 0.15 MM
9	V836647502	8	CYLINDER LINER O-RING S2	
10	V836647503	4	CYLINDER LINER O-RING S2	
11	V640016016	4	CUP PLUG	
12	V836529872	1	PLUG	
13	V640016018	1	CUP PLUG	
14	V640325110	2	SCREW PLUG	
15	V615571014	2	SEALING WASHER S2	
16	V887283760	1	PRESSURE SWITCH SEE PAGE 01-0031 REF. 3	
17	V836647927	1	RETAINING PLATE LEFT	
	V836647926	1	RETAINING PLATE RIGHT	
18	V836755844	2	SUPPORT	
19	V615881216	1	SEALING WASHER S2	
20	V640045112	5	PLUG	
21	V640325018	2	PLUG	
22	V615881822	2	SEALING WASHER	
23	V836019756	1	PLUG	
24	V836129747	1	OIL DIPSTICK GUIDE PIPE -R13715(M)	
38	V836666910	1	OIL DIPSTICK GUIDE PIPE R13716-(M)	
25	V862640001	1	REMANUFACTURED SHORT BLOCK ENGINE	
26	V615881824	1	SEALING WASHER S2	
29	V836119079	1	PLUG	
30	V615881620	1	SEALING WASHER	
31	V640016040	1	CUP PLUG	
32	V528801362	4	HEX CAP SCREW N11771-(M)	
33	V836866957	1	COVER N11771-(M)	
34	V836866958	1	GASKET N11771-(M)	
35	V836664377	1	DRAIN VALVE	

<b>Item</b>	<b>Part Number</b>	<b>Qty</b>	<b>Description Comments</b>	<b>Technical Specification</b>
36	V836119837	1	HOSE COUPLER	
37	V640016020	1	CUP PLUG	
	V836740280	1	ENGINE GASKET KIT S1	
	V836740281	1	ENGINE GASKET KIT S1+S2	



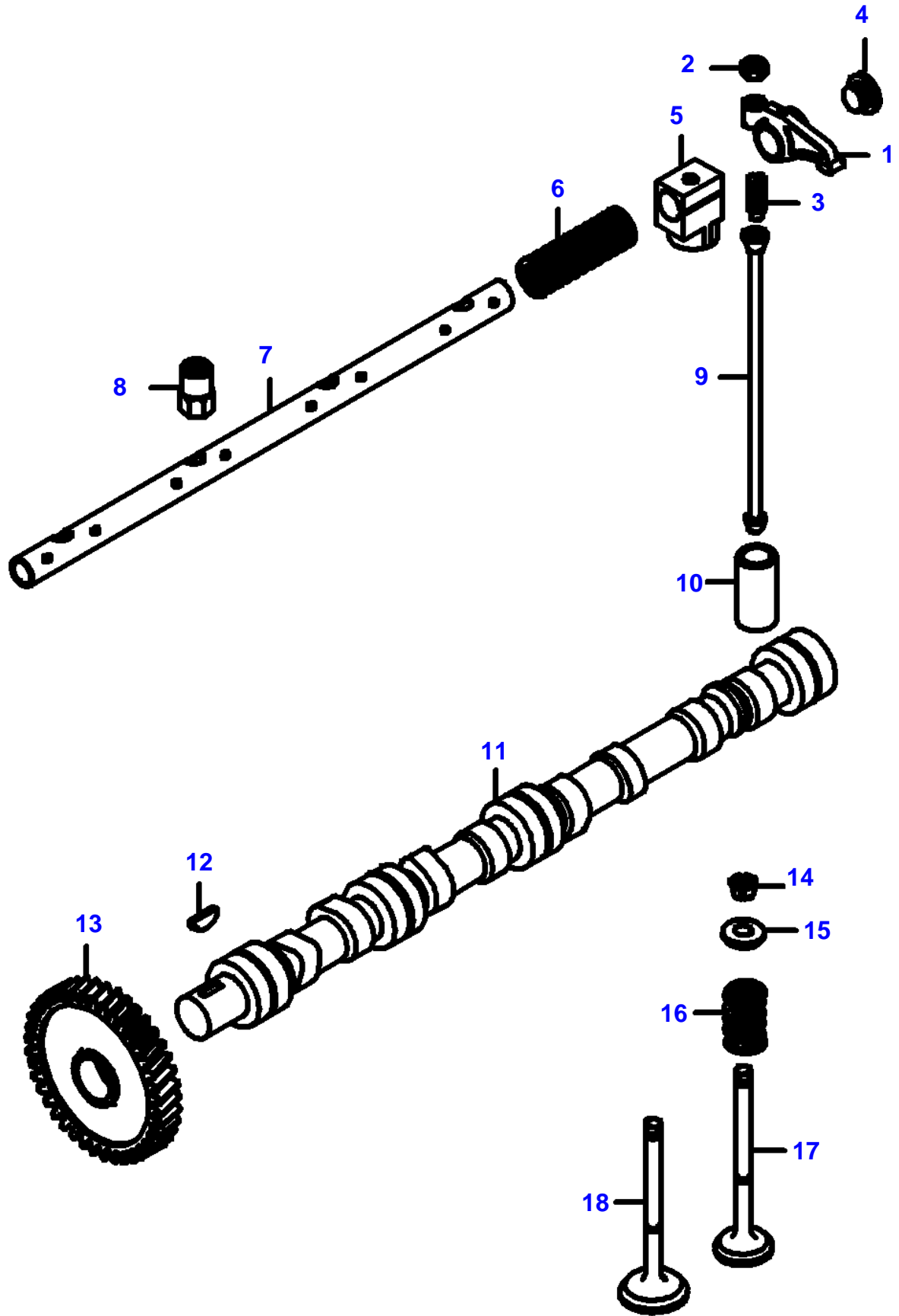
Item	Part Number	Qty	Description Comments	Technical Specification
1	V836647439	1	FLYWHEEL HOUSING	
2	V614500002	1	CRANKSHAFT SEAL S2	
3	V529702220	8	HEX CAP SCREW	
4	V581705030	6	HEX SOCKET SCREW	
5	V836007572	1	RUBBER PLUG	
6	V598359850	2	PIN	
7	V504601000	3	NUT	
8	V500951000	9	SPRING WASHER	
9	V546801800	3	STUD BOLT	
10	V836659990	1	FLYWHEEL SASCH	
	V836659502	1	FLYWHEEL VOITH -666065	
	V836759820	1	FLYWHEEL VOITH 666066-	
11	V835328783	1	STARTER RING	
12	V836659527	1	GUIDE SLEEVE	
13	V836759798	1	BRACKET	
14	V528801362	1	HEX CAP SCREW	
15	V528801760	1	HEX CAP SCREW	
16	V504800800	1	NUT	
17	V528802180	1	HEX CAP SCREW	
18	V836859311	1	PLUG	
19	V500150842	2	WASHER	
20	VHC8519	2	HEX SOCKET SCREW	M12 X 140 DIN912 8.8
21	V836755361	1	SUPPORT	
22	V529702250	8	HEX CAP SCREW	
23	V836355864	1	RING	
24	V500951200	8	SPRING WASHER	
25	V34172400	1	HOLDER	
26	VJD0408	2	WASHER	M8
27	VHA6322	2	SCREW	M8 X 16 SFS_EN_ISO_4017 8.8
28	V32604200	1	BAND	
29	ACV0799330	1	GROMMET	

6550HI TRACTOR (HITECH SERIES)  
SPIMG-008-21-08



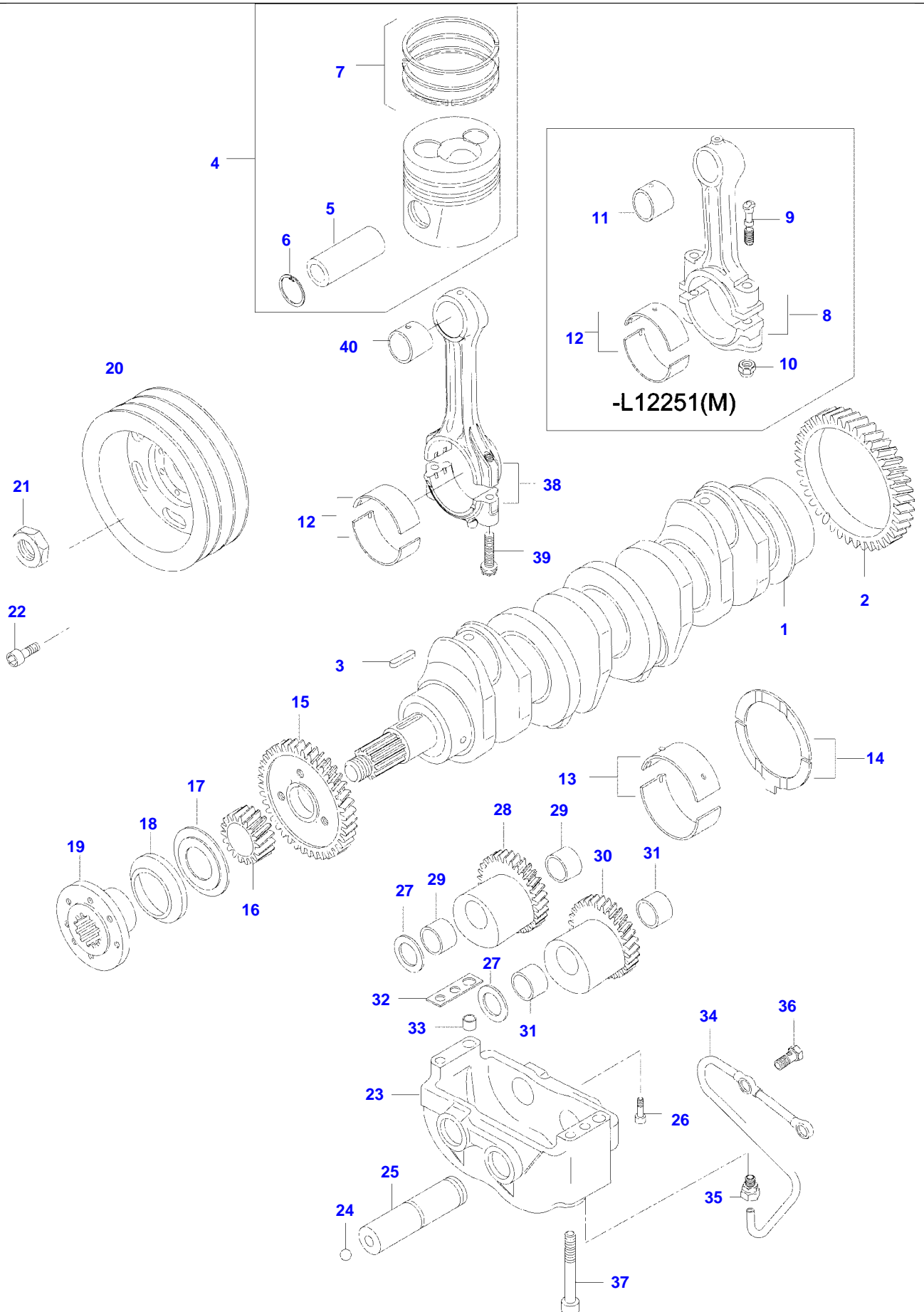
Item	Part Number	Qty	Description Comments
1	V836755383	1	CYLINDER
2	V836647601	8	GUIDE
3	V836647600	4	VALVE SEAT
5	V836647942	8	EXHAUST CUP PLUG
6	V837070291	1	CYLINDER HEAD GASKET S1
7	V836859104	19	HEXAGON FLANGE BOLT
8	V546901435	8	STUD BOLT
9	V836746361	1	VALVE ROCKER COVER
10	V836746362	1	VALVE ROCKER COVER GASKET S1
11	V528801780	3	HEX CAP SCREW
12	V836119855	4	WASHER
13	V836012841	4	RUBBER BUSHING S1
14	V546801900	4	STUD BOLT
15	V836655406	4	SLEEVE NUT
16	V836119837	1	HOSE COUPLER
17	V615881822	1	SEALING WASHER S1
18	V528801800	4	HEX CAP SCREW M10
19	V836855349	2	LIFT EYE
20	V836859110	3	NUT
21	V836859109	3	STUD BOLT
22	V836647814	1	RUBBER HOSE
23	V595959140	2	PIN
24	V835329746	1	CABLE TIE
25	V836647835	1	LIFTING EYE EXTENSION
27	V836659175	1	STUD BOLT
28	V836740854	1	CYLINDER HEAD
29	V836666199	1	HEAT SHIELD
30	V836659103	1	SPRING

6550HI TRACTOR (HITECH SERIES)  
SPIMG-008-21-12



Item	Part Number	Qty	Description Comments
1	V836767044	1	ROCKER SHAFT ASM
	V836666608	8	ROCKER ARM
			· -S12222 (M)
	V836667042	8	ROCKER ARM
			· S12223- (M)
2	V512861000	8	NUT
			· ..
3	V836655866	8	ADJUSTING SCREW
			· -S12222 (M)
	V837069023	8	VALVE ROCKER ADJUSTMENT SCREW
			· ..
			S12223- (M)
4	V836655899	2	PLUG
			· -S12222 (M)
	V837069020	2	PLUG
			· S12223- (M)
5	V836655869	4	BRACKET
			· .
6	V836655884	3	SPRING
			· .
7	V836755871	1	SHAFT
			· .
8	V836655406	4	SLEEVE NUT
9	V836655867	8	PUSHROD
10	V836014264	8	TAPPET
11	V836746375	1	CAMSHAFT
12	V603305760	1	WOODRUFF KEY
13	V836646389	1	GEAR,CAMSHAFT
14	V836646382	16	COTTER
15	V836646381	8	WASHER
16	V836646380	8	SPRING
17	V836646357	4	EXHAUST VALVE
18	V836646356	4	INTAKE VALVE

6550HI TRACTOR (HITECH SERIES)  
SPIMG-008-21-16

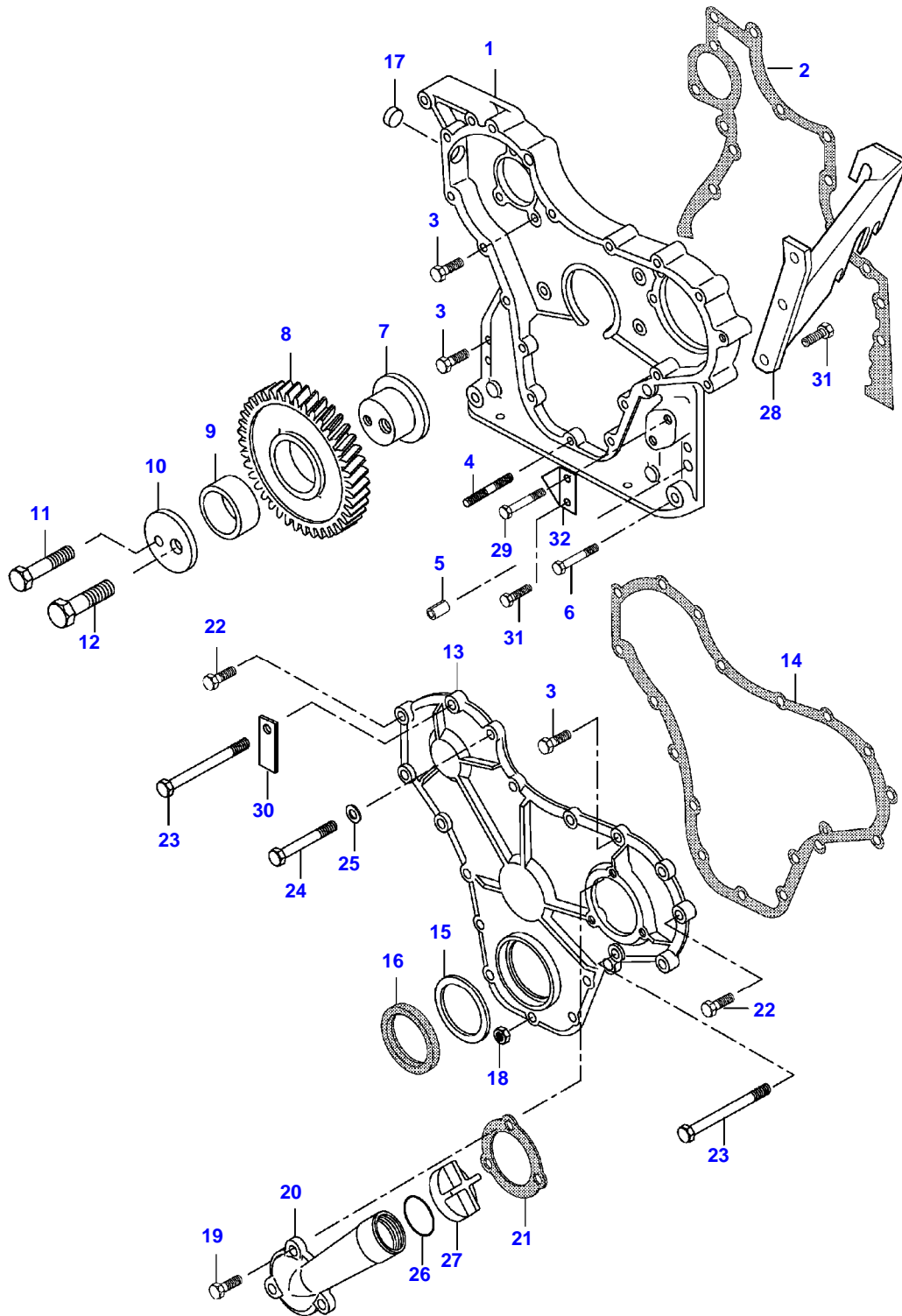


Item	Part Number	Qty	Description Comments	Technical Specification
1	V836747324	1	CRANKSHAFT -N11770(M)	
	V836766486	1	CRANKSHAFT N11771-(M)	
2	V836124524	1	GEAR	
3	V603345110	1	KEY	
4	V836640073	4	PISTON -N11770(M)	
	V836659702	4	PISTON N11771-(M)	
5	NS	4	NON-SERVICEABLE PART	
6	NS	8	PISTON PIN NON-SERVICEABLE PART	
7	V836640078	4	CIRCLIP PISTON RING KIT	
	V836640126	4	-N11770(M) PISTON RING KIT	
8	V836647460	4	N11771-(M) CONROD 2150-2169 G X -L12251(M)	
	V836652104		CONROD 2170-2189 G A -L12251(M)	
	V836652105		CONROD 2190-2209 G B -L12251(M)	
	V836652106		CONROD 2210-2229 G C -L12251(M)	
	V836652107		CONROD 2230-2249 G D -L12251(M)	
	V836652108		CONROD 2250-2269 G E -L12251(M)	
	V836652109		CONROD 2270-2289 G H -L12251(M)	
	V836652110		CONROD 2290-2309 G I -L12251(M)	
	V836652111		CONROD 2310-2329 G J -L12251(M)	
	V836652112		CONROD 2330-2349 G K -L12251(M)	
	V836652113		CONROD 2350-2369 G L -L12251(M)	
	V836652114		CONROD 2370-2389 G M -L12251(M)	
	V836652115		CONROD 2390-2409 G N -L12251(M)	
	V836652116		CONROD 2410-2429 G O -L12251(M)	

Item	Part Number	Qty	Description Comments	Technical Specification
	V836652117		CONROD 2430-2449 G P -L12251(M)	
	V836652118		CONROD 2450-2469 G R -L12251(M)	
	V836652119		CONROD 2470-2489 G S -L12251(M)	
	V836652120		CONROD 2490-2509 G T -L12251(M)	
	V836652121		CONROD 2510-2529 G U -L12251(M)	
	V836740859	1	CONNECTING ROD KIT INCLUDES: REF. 38-40 L12252-(M)	
38	NS		NON-SERVICEABLE PART CONNECTING ROD 1935-1954 G F L12252-(M)	
	NS		NON-SERVICEABLE PART CONNECTING ROD 1955-1974 G V L12252-(M)	
	NS		NON-SERVICEABLE PART CONNECTING ROD 1975-1994 G X L12252-(M)	
	NS		NON-SERVICEABLE PART CONNECTING ROD 1995-2014 G Y L12252-(M)	
	NS		NON-SERVICEABLE PART CONNECTING ROD 2015-2034 G W L12252-(M)	
	NS		NON-SERVICEABLE PART CONNECTING ROD 2035-2054 G Z L12252-(M)	
	NS		NON-SERVICEABLE PART CONNECTING ROD 2055-2074 G G L12252-(M)	
9	V836646204	8	CONNECTING ROD BOLT . -L12251(M)	
39	V836864141	8	CONNECTING ROD BOLT . L12252-(M)	
10	V836646205	8	NUT . -L12251(M)	
11	V836646271	4	BEARING BUSH . -L12251(M)	
40	V836110646	4	BEARING BUSH . L12252-(M)	STD
12	V836110552	4	BEARING SHELL SEE PAGE 01-0034	
13	V836655514	5	MAIN BEARING SEE PAGE 01-0034	

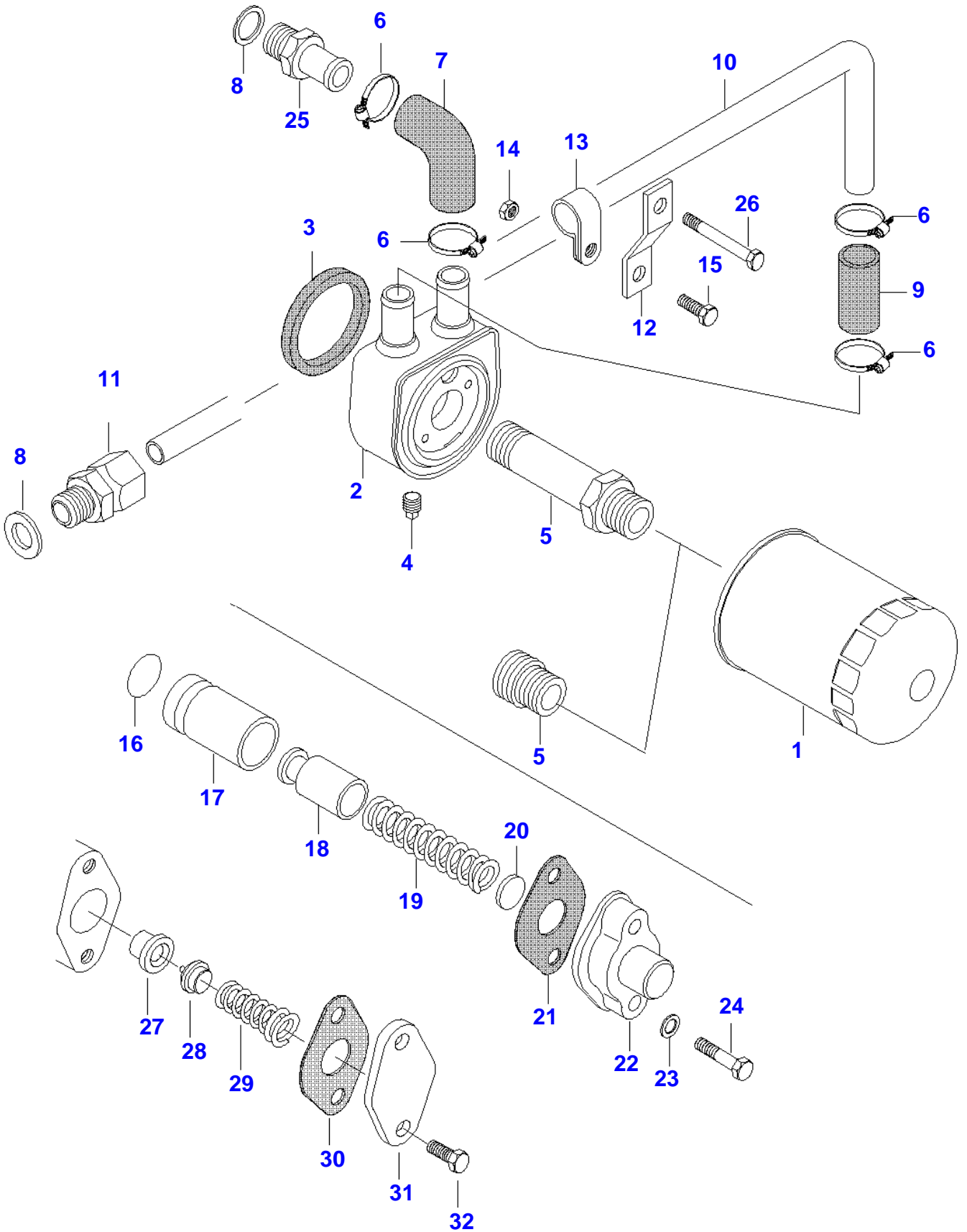
Item	Part Number	Qty	Description Comments	Technical Specification
14	V836119459	2	THRUST WASHER SEE PAGE 01-0034	
15	V836119550	1	GEAR,CRANKSHAFT	
16	V836122840	1	GEAR,CRANKSHAFT	
17	V836129781	1	RING	
18	V836136271	1	SHIELD -P10523(M)	
19	V836846463	1	CRANKSHAFT HUB	
20	V836655534	1	CRANKSHAFT V-BELT PULLEY -N11770(M)	
	V836766988	1	CRANKSHAFT PULLEY N11771-(M)	
21	V836647310	1	CRANKSHAFT NUT	
22	V581804600	6	HEX SOCKET SCREW	
23	V836747349	1	BALANCER -L10351(M)	
	V836766123	1	COUNTERWEIGHT L10352-(M)	
24	V616810103	2	BALL	
25	V836146879	2	SHAFT	
26	V581804200	2	HEX SOCKET SCREW	
27	V836146880	4	THRUST WASHER	
28	V836146877	1	GEAR -L10351(M)	
	V836766121	1	COUNTERWEIGHT L10352-(M)	
29	V836146876	2	BEARING BUSH	
30	V836146878	1	GEAR -L10351(M)	
	V836766122	1	COUNTERWEIGHT L10352-(M)	
31	V836146876	2	BEARING BUSH	
32	V836119920		SHIM	
33	V598359850	2	PIN	
34	V836747298	1	OIL PIPE	
35	V641016008	1	STRAIGHT FITTING	
36	V640435008	2	BANJO BOLT	
37	V581805170	4	HEX SOCKET SCREW	

6550HI TRACTOR (HITECH SERIES)  
SPIMG-008-21-20



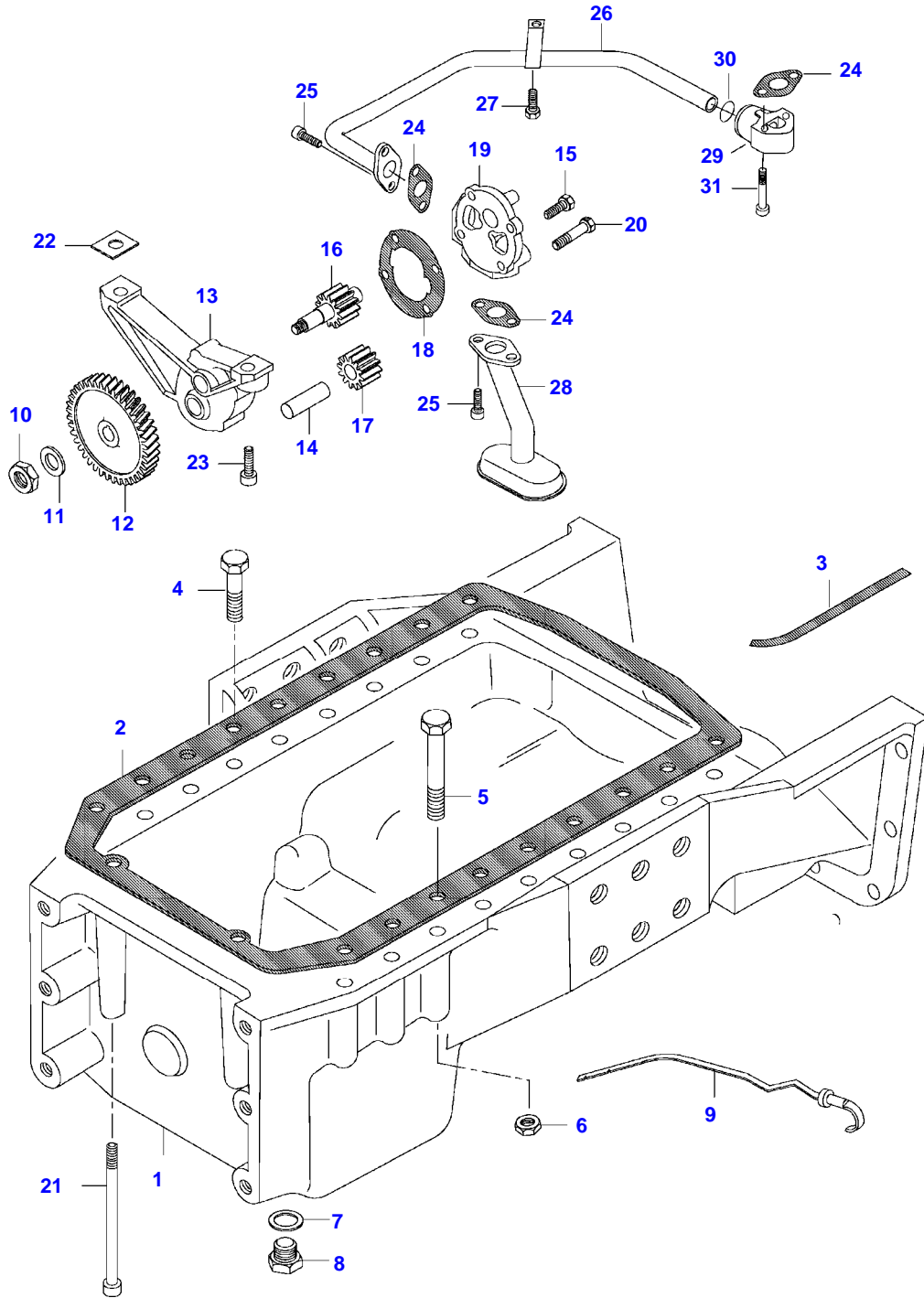
Item	Part Number	Qty	Description Comments
1	V836647865	1	TIMING GEAR CASE -N11770(M)
	V836666400	1	TIMING GEAR CASE N11771-(M)
2	V836647419	1	GASKET S2
3	V528801400	11	HEX CAP SCREW
4	V546801380	4	STUD BOLT
5	V598359850	4	PIN
6	V529801440	2	HEX CAP SCREW
7	V836129709	1	SHAFT
8	V836129863	1	IDLER GEAR
9	V836129844	1	BEARING BUSH
10	V836129845	1	FLANGE
11	V528801860	1	HEX CAP SCREW
12	V529902680	1	HEX CAP SCREW
13	V836647572	1	GEAR HOUSING FRONT COVER
14	V836129942	1	GASKET S2
15	V836129782	1	COVER
16	V614105880	1	OIL SEAL S2
17	V640016016	1	CUP PLUG
18	V504800800	5	NUT
19	V528801380	3	HEX CAP SCREW
20	V836746921	1	PIPE
21	V836129946	1	GASKET S2
22	V528801420	4	HEX CAP SCREW
23	V529801500	2	HEX CAP SCREW
24	V529801470	3	HEX CAP SCREW
25	V836120989	1	WASHER
26	V614604740	1	O-RING S2
27	V836338733	1	OIL FILLER CAP
28	V836659804	1	THROTTLE SENSOR BRACKET -K14472(M)
	V836664528	1	THROTTLE SENSOR BRACKET K14473-(M)
29	V529801450	1	HEX CAP SCREW
30	V836083428	1	CABLE TIE
31	V528801362	3	HEX CAP SCREW
32	V836747675	1	TIMING MARK INDICATOR N11771-(M)

6550HI TRACTOR (HITECH SERIES)  
SPIMG-008-21-24



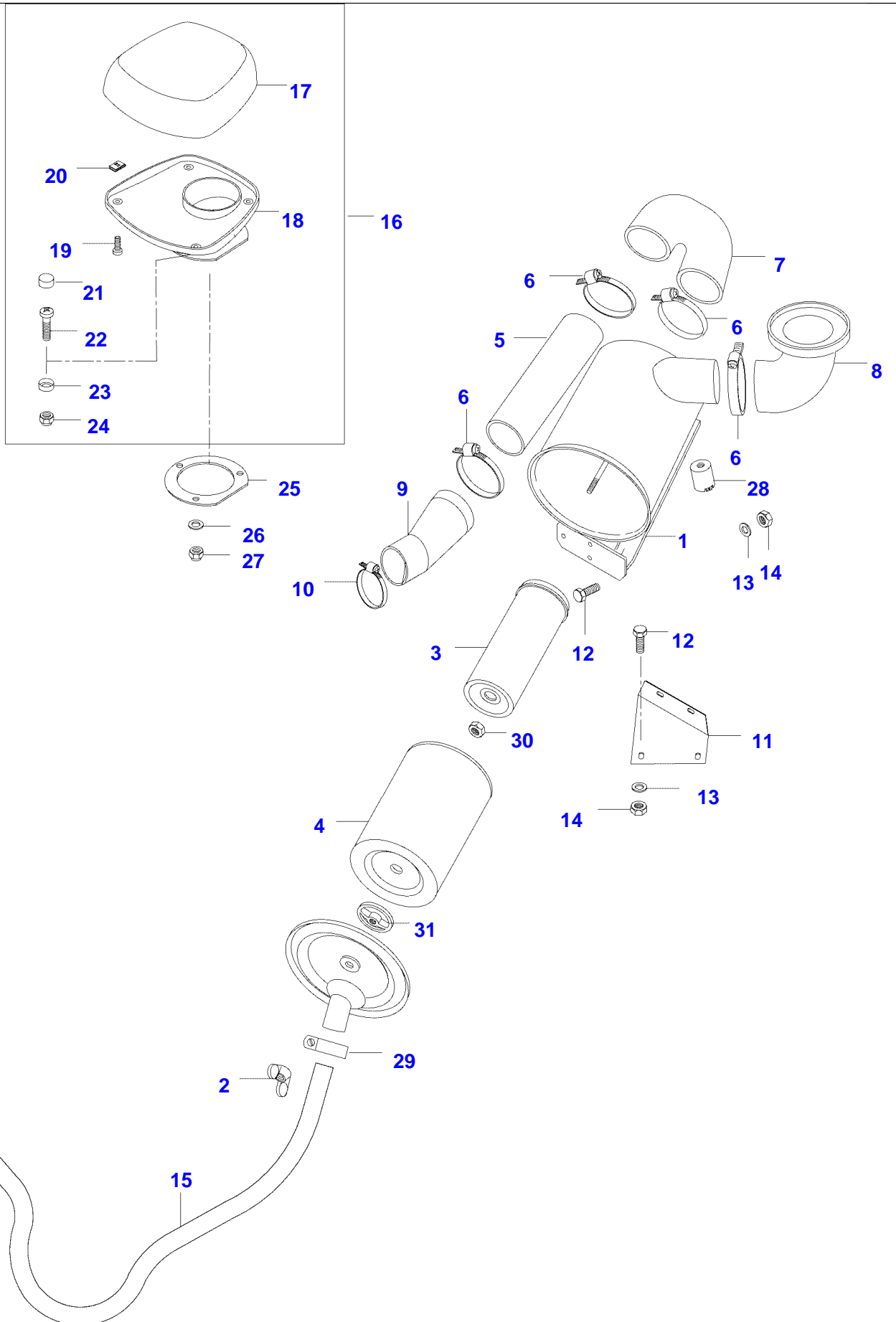
Item	Part Number	Qty	Description Comments
1	V836162572	1	ENGINE OIL FILTER
5	V836647404	1	UNION
	V835340042	1	OIL PRESSURE CONTROL VALVE -J7600(M)
16	V614601524	1	O-RING
			S2
17	V836117834	1	CYLINDER
			.
18	V836338850	1	OIL PRESSURE CONTROL VALVE
			.
19	V836117836	1	SPRING
			.
20	V836020290	1	INJECTOR SHIM
			.
21	V836322190	1	GASKET
			S2
22	V836129849	1	COVER
23	V500950800	2	SPRING WASHER
24	V528801420	2	HEX CAP SCREW
	V836662129	1	OIL PRESSURE CONTROL VALVE J7601-(M)
27	V836659521	1	VALVE SEAT
			.
28	V836659522	1	VALVE CONE
			.
29	V836659523	1	SPRING
			.
30	V836322190	1	GASKET
			S2
31	V836659524	1	COVER
			.
32	V528801380	2	HEX CAP SCREW
			M8 X 20

6550HI TRACTOR (HITECH SERIES)  
SPIMG-008-21-30



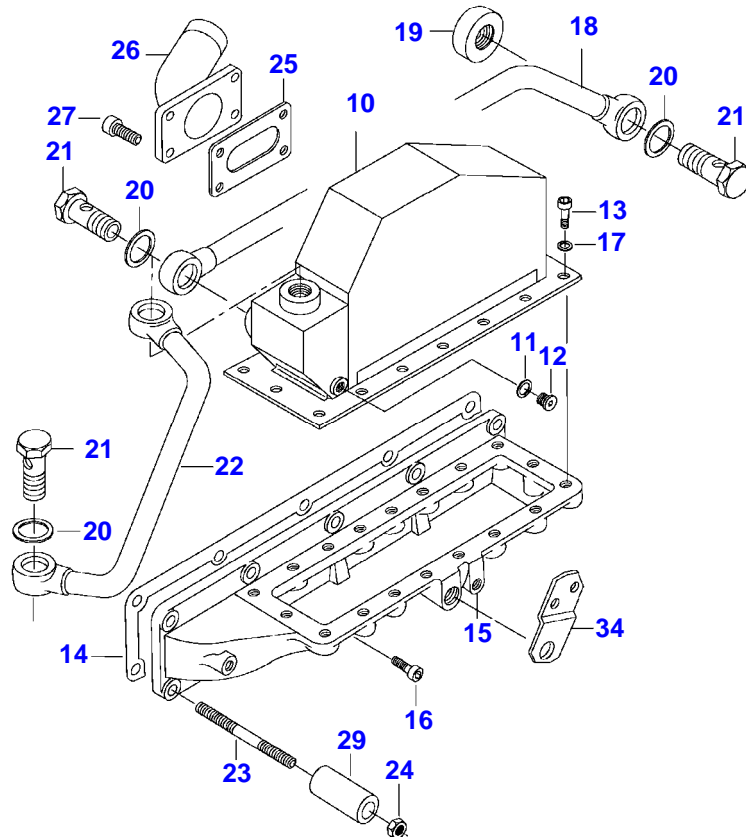
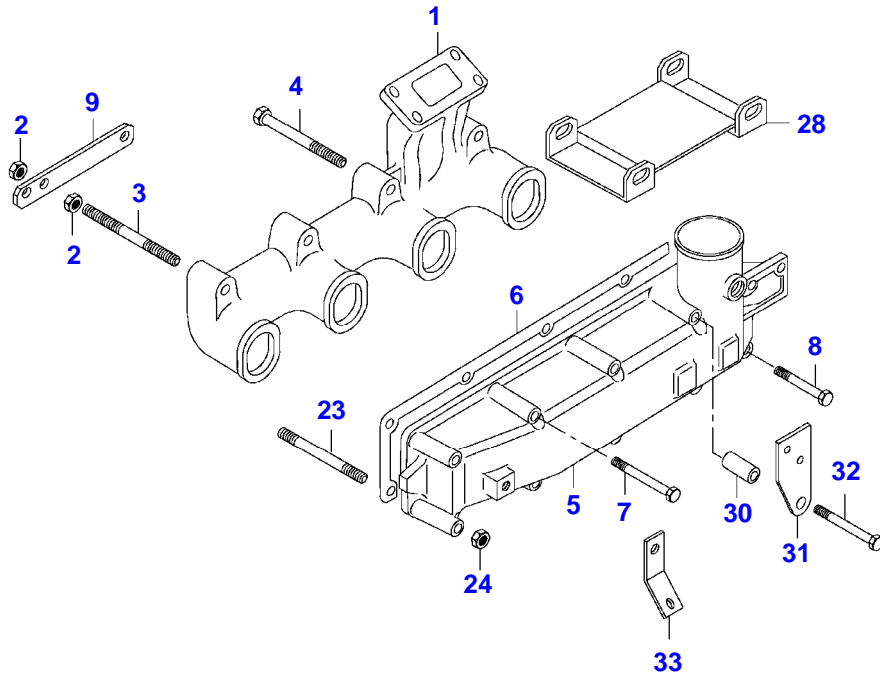
Item	Part Number	Qty	Description Comments
1	V836136014	1	OIL SUMP V30146600
2	V836129728	1	OIL SUMP GASKET S2
3	V836129727	2	GASKET S2
4	V529702270	11	HEX CAP SCREW
5	V529902390	7	HEX CAP SCREW
6	V504801200	18	NUT
7	V615881827	1	SEALING WASHER S2
8	V836655493	1	PLUG
9	V836129939	1	DIPSTICK -R13715(M)
	V836767743	1	DIPSTICK R13716-(M) BLUE
	V836652605	1	LUBRICATING OIL PUMP
10	V504861000	1	NUT
11	V836122910	1	WASHER
12	V836338667	1	GEAR
13	V836120195	1	HOUSING
14	V836120191	1	OIL PUMP SHAFT
15	V528801380	2	HEX CAP SCREW
16	V836652600	1	OIL PUMP SHAFT
17	V836120193	1	GEAR
18	V836119796	1	GASKET S2
19	V836129412	1	COVER
20	V529801440	2	HEX CAP SCREW
21	V581704800	2	HEX SOCKET SCREW
22	V836007871		SHIM
23	V581805050	2	HEX SOCKET SCREW
24	V836008449	3	GASKET S2
25	V581804600	4	HEX SOCKET SCREW
26	V836766983	1	OIL PIPE
27	V528801760	1	HEX CAP SCREW
28	V836138033	1	AIR PIPE
29	V836766984	1	ADAPTER FLANGE
30	V614701830	1	O-RING
31	V581804680	2	HEX SOCKET SCREW

6550HI TRACTOR (HITECH SERIES)  
SPIMG-008-21-36



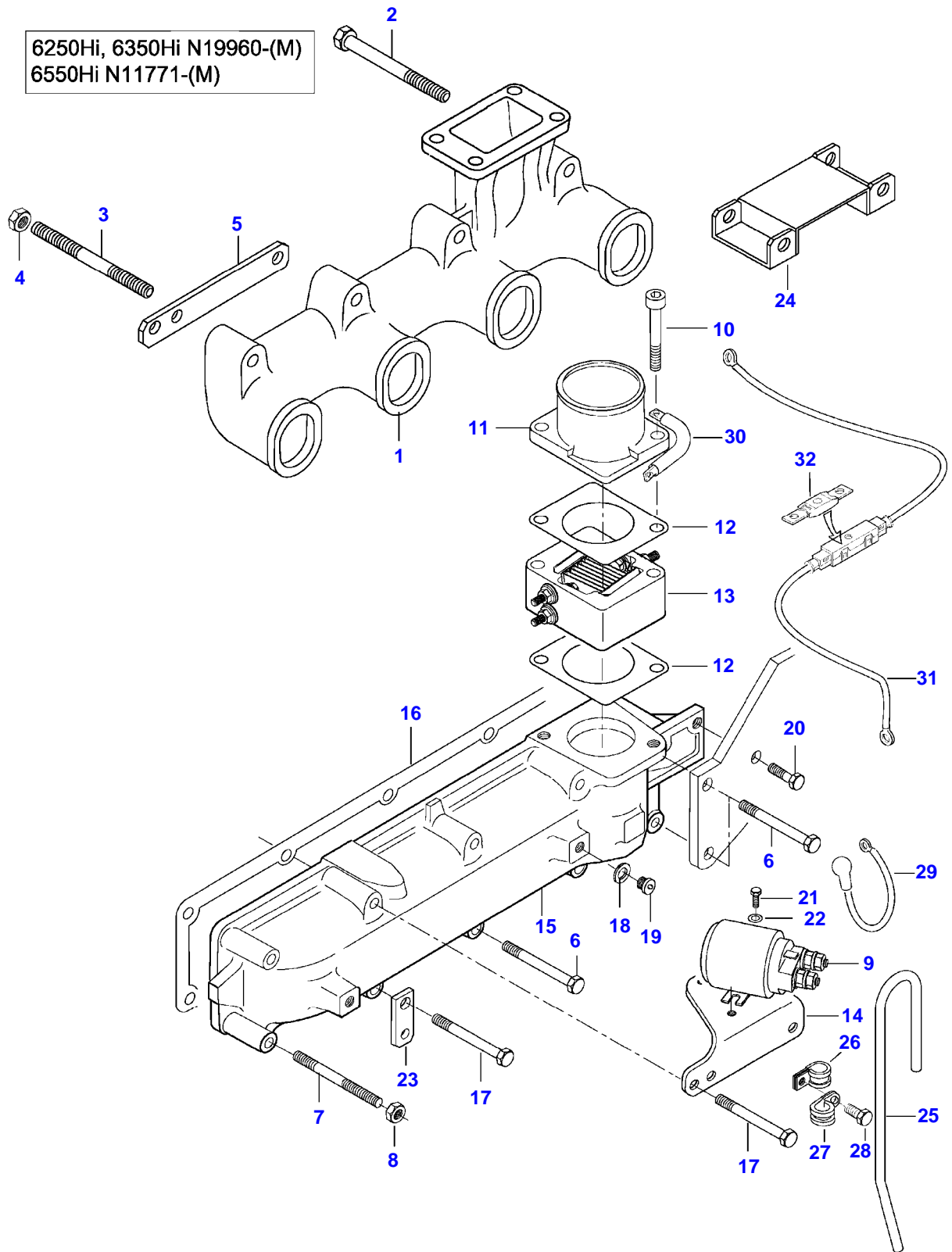
Item	Part Number	Qty	Description Comments	Technical Specification
	V33057500	1	AIR FILTER ASSEMBLY -K23221	D=225
	V33057510	1	AIR FILTER ASSEMBLY K23222-	D=225
1	NS	1	NON-SERVICEABLE PART . HOUSING	
30	VJB8905	1	LOCKNUT	M10 SFS_EN_ISO_10511
31	V35315600	1	NUT	
2	VJC1610	1	BLADE NUT	M10 DIN315 G5 ZNE
3	V836462569	1	SECONDARY AIR FILTER ELEMENT	
4	V836462568	1	PRIMARY AIR FILTER ELEMENT	
5	V33031600	1	TUBE	
6	VGP3933	4	HOSE CLIP	D=95 SMS2298
7	V33031900	1	CURVED RUBBER	
8	V33032100	1	CURVED RUBBER	
9	V32999400	1	TUBE	
10	VGP3942	1	HOSE CLIP	D=75 SMS2298
11	V32952300	1	CARRIER	
12	VHA6323	7	SCREW	M8 X 20 CL8.8
13	VJD0408	7	WASHER	M8
14	VJB8904	7	NUT	M8
15	V33032810	1	HOSE	L=1250
16	V33042610	1	COVER ASSEMBLY	
17	V33051700	1	COVER	
18	V33045910	1	BOTTOM	
19	VHN6646	4	SCREW	B 4.8 X 13 SFS-ISO_7049
20	VJC9001	4	NUT	B 4.8 SFS:EN_ISO_1478
21	V32604400	3	CUP	M6
22	VHA6313	3	SCREW	M6 X 16 ISO 8.8
23	V32667000	3	RING WASHER	M6
24	VJB1106	3	NUT	M6 SFS-EN_ISO_4032
25	V33052610	1	GASKET	
26	VJD0406	3	WASHER	6.4 X 1.6 SFS-EN_ISO_7089
27	VJB8903	3	LOCKNUT	M6 SFS_EN_ISO_7042
28	V33389600	1	SENSOR	6.5 KPA
29	VGP3919	2	HOSE CLIP	D=26-38 SMS2298

6550HI TRACTOR (HITECH SERIES)  
SPIMG-008-21-40



Item	Part Number	Qty	Description Comments
			-N11770(M)
1	V836747524	1	EXHAUST MANIFOLD
2	V504601000	5	NUT
3	V546801960	3	STUD BOLT
4	V529801950	5	HEX CAP SCREW
5	V836747691	1	INTAKE MANIFOLD
6	V836747595	1	INTAKE MANIFOLD GASKET S1
7	V529801490	9	HEX CAP SCREW
8	V529801470	1	HEX CAP SCREW
9	V836755027	1	RETAINING PLATE
23	V546801510	1	STUD BOLT
24	V504800800	1	NUT
28	V836655735	1	HEAT SHIELD -N11770(M)
30	V836114846	1	SPACER J6786-(M)
31	V836664162	1	BRACKET J6786-(M)
32	V529801550	1	HEX CAP SCREW J6786-(M)
33	V836659276	1	SUPPORT J6786-(M)

6550HI TRACTOR (HITECH SERIES)  
SPIMG-008-21-40A



Item	Part Number	Qty	Description Comments
<b>N11771-(M)</b>			
1	V836747524	1	EXHAUST MANIFOLD
2	V529801950	5	HEX CAP SCREW M10 X 100
3	V546801960	3	STUD BOLT M10 X 110
4	V504601000	3	NUT M10
5	V836755027	1	RETAINING PLATE
6	V529801490	6	HEX CAP SCREW M8 X 70
7	V546801510	1	STUD BOLT M8 X 80
8	V504800800	1	NUT M8
9	V836666759	1	SOLENOID
10	V581805070	2	HEX SOCKET SCREW M10 X 50
11	V836766130	1	AIR PIPE
12	V836666074	2	GASKET S1
13	V836666073	1	INTAKE AIR PREHEATER 12V/1.2KW
14	V836766752	1	BRACKET
15	V836766129	1	INTAKE MANIFOLD
16	V836747595	1	INTAKE MANIFOLD GASKET S1
17	V529801500	3	HEX CAP SCREW M8 X 75
18	V615881014	1	SEALING WASHER S1
19	V640305010	1	PLUG
20	V528801380	1	HEX CAP SCREW M8 X 20
21	V528800760	2	HEX CAP SCREW M5 X 16
22	V500150532	2	WASHER
23	V836446243	2	SUPPORT



**Suggest:**

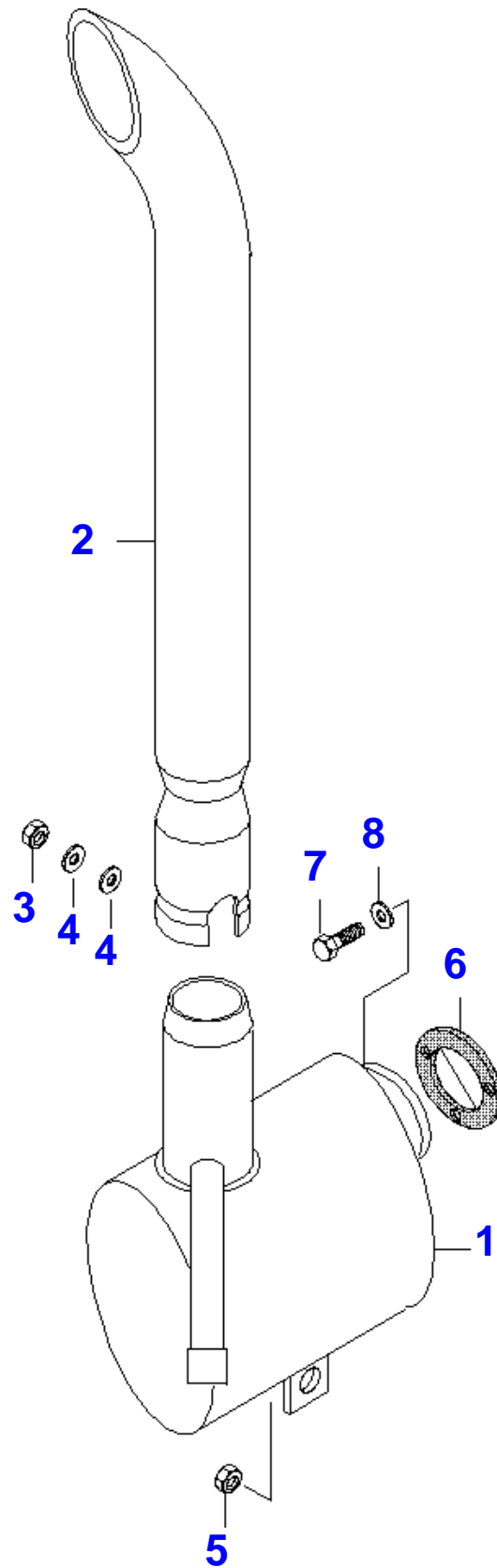
**For more complete manuals. Please go to the home page.**

**<https://www.ebooklibonline.com>**

**If the above button click is invalid. Please download this document first, and then click the above link to download the complete manual.**

**Thank you so much for reading**

6550HI TRACTOR (HITECH SERIES)  
SPIMG-008-21-46



Item	Part Number	Qty	Description Comments	Technical Specification
1	V32949200	1	MUFFLER -N10361	
	V32946000	1	MUFFLER N10362-	
2	V33046500	1	TUBE	L=1120
3	VJB8919	1	NUT	M8 ISO_7040 A2
4	VJD9112	2	WASHER	8 2 DIN6796 A2
5	VJB9928	1	LOCKNUT	M10 DIN980
6	V32589800	1	GASKET	
7	VHA6324	3	SCREW	M8 X 25 ISO 8.8
8	VJD3108	3	WASHER	2 DIN127

**<https://www.ebooklibonline.com>**

Hello dear friend!

Thank you very much for reading.

Enter the link into your browser.

The full manual is available for immediate download.

**<https://www.ebooklibonline.com>**