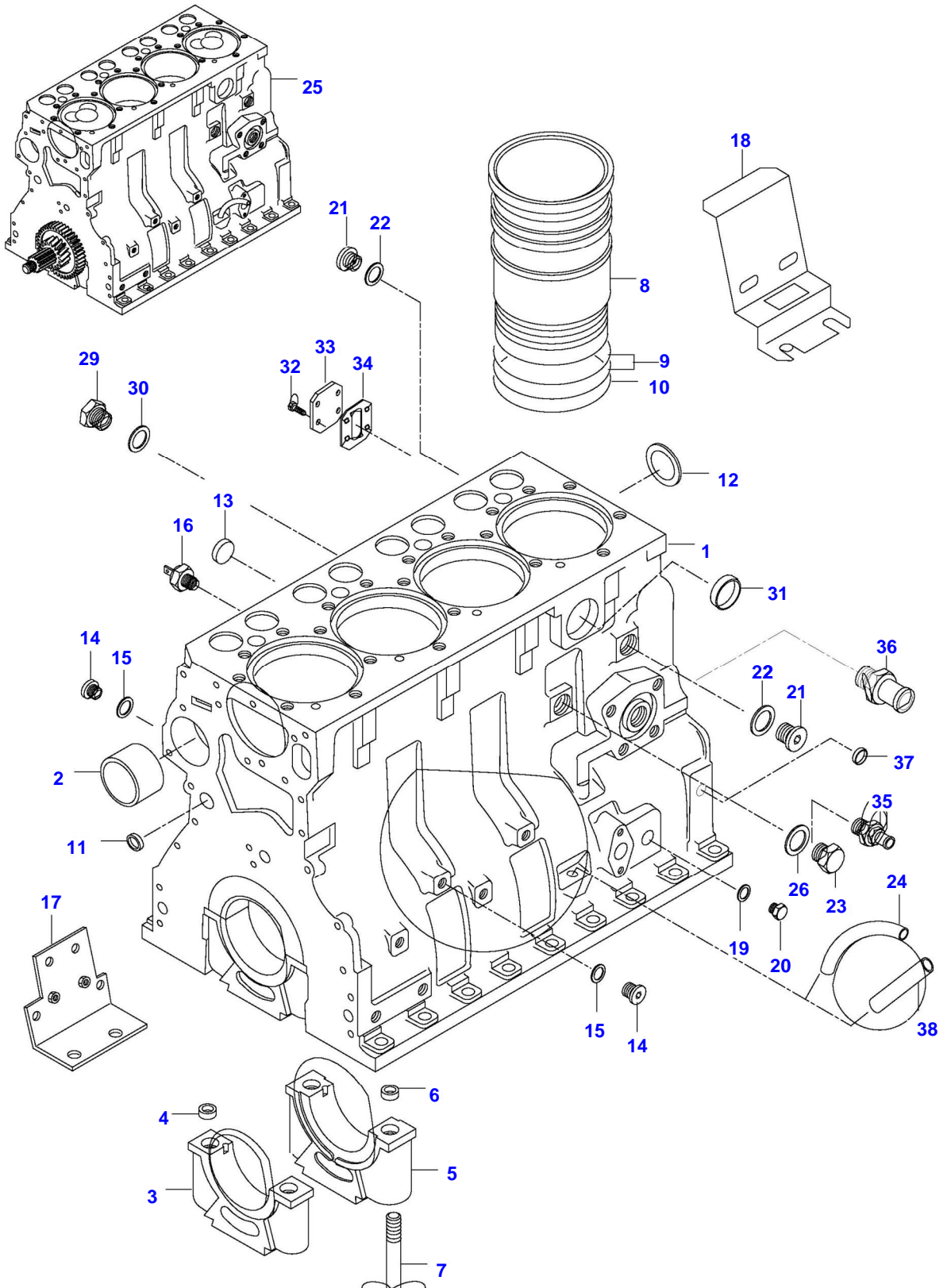


Page Number	Page Title	Page Reference
01-000-TOC	ENGINE, FUEL AND EXHAUST SYSTEM	01-000-TOC
02-000-TOC	AXLES	02-000-TOC
03-000-TOC	STEERING SYSTEM	03-000-TOC
04-000-TOC	DRIVE TRAIN SYSTEM	04-000-TOC
05-000-TOC	BRAKE SYSTEM	05-000-TOC
06-000-TOC	COMPRESSED AIR SYSTEM	06-000-TOC
07-000-TOC	HYDRAULIC SYSTEM	07-000-TOC
08-000-TOC	ELECTRICAL SYSTEM	08-000-TOC
09-000-TOC	CAB	09-000-TOC
10-000-TOC	AIR CONDITIONING AND HEATING SYSTEM	10-000-TOC
11-000-TOC	CHASSIS	11-000-TOC
12-000-TOC	DECALS	12-000-TOC
13-000-TOC	WHEELS	13-000-TOC
14-000-TOC	IMPLEMENT DRIVE SYSTEM	14-000-TOC
15-000-TOC	IMPLEMENT LIFT SYSTEM FRONT	15-000-TOC
16-000-TOC	IMPLEMENT LIFT SYSTEM REAR	16-000-TOC
17-000-TOC	PRECISION FARMING SYSTEMS	17-000-TOC
18-000-TOC	ATTACHMENTS	18-000-TOC
19-000-TOC	GENERAL INFORMATION	19-000-TOC

Page Number	Page Title	Page Reference
01-0001	CYLINDERBLOCK	21-02
01-0002	FLYWHEEL AND HOUSING	21-06
01-0003	CYLINDER HEAD	21-08
01-0004	VALVE MECHANISM	21-12
01-0005	CRANK MECHANISM	21-16
01-0006	GEAR HOUSING	21-20
01-0007	OIL FILTER	21-24
01-0008	OIL SUMP	21-30
01-0009	AIR CLEANER	21-36
01-0010	INTAKE- AND EXHAUST PIPE -N19959(M)	21-40
01-0011	INTAKE- AND EXHAUST PIPE N19960-(M)	21-40A
01-0012	MUFFLER	21-46
01-0013	TURBOCHARGER	21-52
01-0014	COLD STARTING DEVICE	21-56
01-0015	FUEL FILTER -N19959(M)	22-04
01-0016	FUEL FILTER N19960-(M)	22-04B
01-0017	PREFILTER, FUEL	22-10
01-0018	FUEL PIPES	22-12
01-0019	INJECTION PUMP -N19959(M)	22-14
01-0020	INJECTION PUMP N19960-(M)	22-14C
01-0021	SPEED LEVERS	22-22
01-0022	RADIATOR	23-02
01-0023	COOLANT PUMP -K6490(M)	23-06
01-0024	COOLANT PUMP K6491-(M)	23-06A
01-0025	STARTERMOTOR -P06276	31-02
01-0026	STARTERMOTOR P06277-	31-02A
01-0027	ALTERNATOR	31-04
01-0028	ALTERNATOR	31-06
01-0029	GASKET SETS	28-02
01-0030	GASKET SETS	28-06
01-0031	ENGINE REPAIR KIT AND BEARING	28-10
01-0032	ADJUSTING PLATE FOR INJECTOR	28-14
01-0033	SHIELD COVER AIR CLEANER (OPTIONAL EQUIPMENT)	29-18
01-0034	PILLAR EXHAUST PIPE (OPTIONAL EQUIPMENT)	29-20
01-0035	CATALYZER (OPTIONAL EQUIPMENT) PILLAR EXHAUST PIPE	29-24
01-0036	ENGINE HEATER (OPTIONAL EQUIPMENT)	39-06

6350HI TRACTOR (HITECH SERIES)
SPIMG-008-21-02



<https://www.ebooklibonline.com>

Hello dear friend!

Thank you very much for reading.

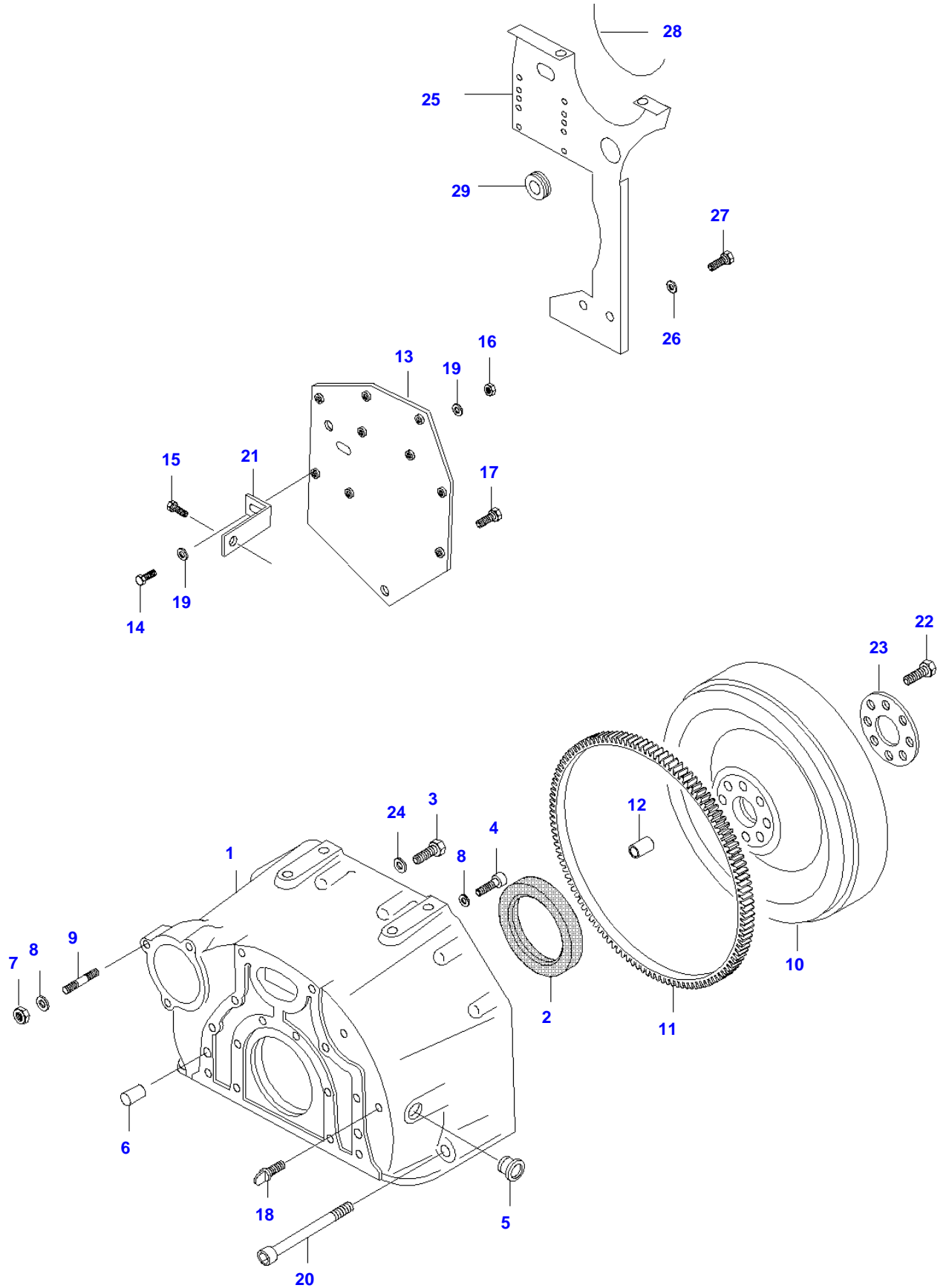
Enter the link into your browser.

The full manual is available for immediate download.

<https://www.ebooklibonline.com>

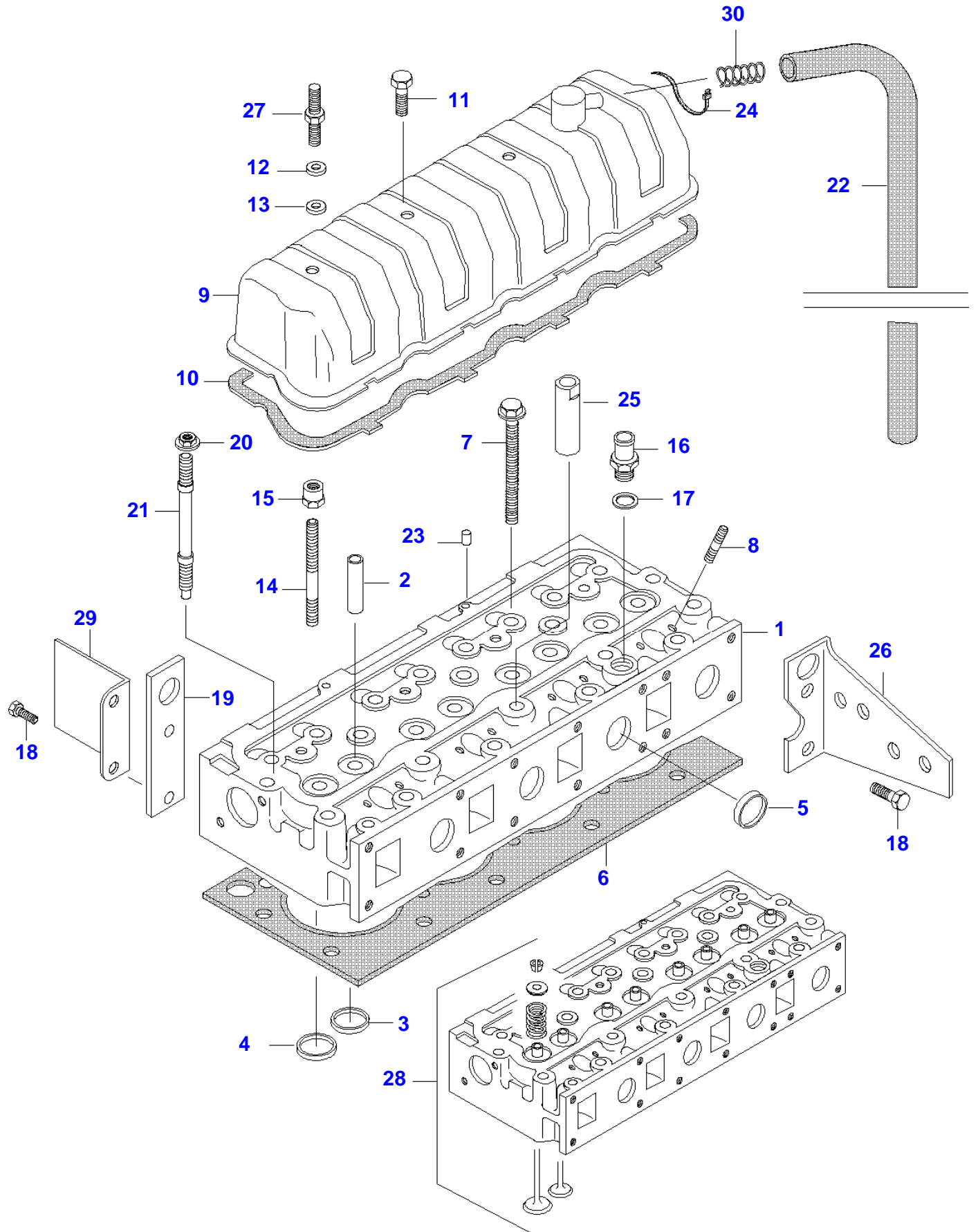
Item	Part Number	Qty	Description Comments	Technical Specification
1	V836766377	1	CYLINDER BLOCK	
2	V836866069	1	CAMSHAFT BEARING BUSHING	
3	NS	4	NON-SERVICEABLE PART	
4	V836214478	8	BEARING COVER GUIDE SLEEVE	
5	NS	1	NON-SERVICEABLE PART	
6	V836214478	2	BEARING COVER GUIDE SLEEVE	
7	V835329030	10	HEX CAP SCREW	
8	V836666990	4	LINER	
	V836647933		LINER FLANGE S=9.08	FLANGE HEIGHT + 0.05 MM
	V836647934		LINER FLANGE S=9.13	FLANGE HEIGHT + 0.10 MM
	V836647935		LINER FLANGE S=9.23	FLANGE HEIGHT + 0.15 MM
9	V836647502	8	CYLINDER LINER O-RING S2	
10	V836647503	4	CYLINDER LINER O-RING S2	
11	V640016016	4	CUP PLUG	
12	V836529872	1	PLUG	
13	V640016018	1	CUP PLUG	
14	V640325110	2	SCREW PLUG	
15	V615571014	2	SEALING WASHER S2	
16	V887283760	1	PRESSURE SWITCH REF. 3	
17	V836647927	1	RETAINING PLATE LEFT	
	V836647926	1	RETAINING PLATE RIGHT	
18	V836755844	2	SUPPORT	
19	V615881216	1	SEALING WASHER S2	
20	V640045112	5	PLUG	
21	V640325018	2	PLUG	
22	V615881822	2	SEALING WASHER	
23	V836019756	1	PLUG	
24	V836129747	1	OIL DIPSTICK GUIDE PIPE -R13715(M)	
38	V836666910	1	OIL DIPSTICK GUIDE PIPE R13716-(M)	
25	V862640001	1	REMANUFACTURED SHORT BLOCK ENGINE	
26	V615881824	1	SEALING WASHER S2	
29	V836119079	1	PLUG	
30	V615881620	1	SEALING WASHER	
31	V640016040	1	CUP PLUG	
35	V836664377	1	DRAIN VALVE	
36	V836119837	1	HOSE COUPLER	
37	V640016020	1	CUP PLUG	
	V836740280	1	ENGINE GASKET KIT S1	
	V836740281	1	ENGINE GASKET KIT S1+S2	

6350HI TRACTOR (HITECH SERIES)
SPIMG-008-21-06



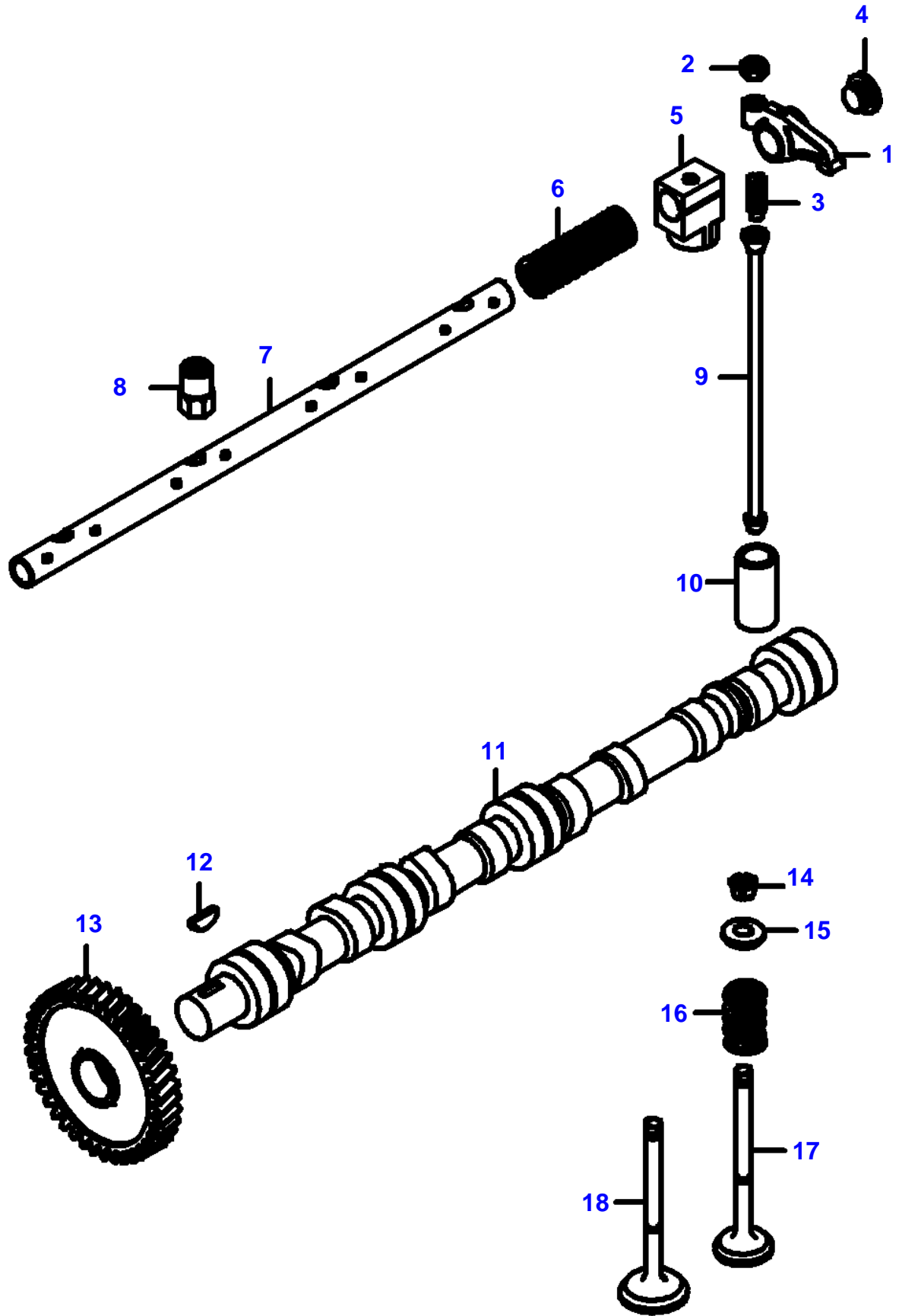
Item	Part Number	Qty	Description Comments	Technical Specification
1	V836647439	1	FLYWHEEL HOUSING	
2	V614500002	1	CRANKSHAFT SEAL S2	
3	V529702220	8	HEX CAP SCREW	
4	V581705030	6	HEX SOCKET SCREW	
5	V836007572	1	RUBBER PLUG	
6	V598359850	2	PIN	
7	V504601000	3	NUT	
8	V500951000	9	SPRING WASHER	
9	V546801800	3	STUD BOLT	
10	V836659990	1	FLYWHEEL SASCH	
	V836659502	1	FLYWHEEL VOITH -666065	
	V836759820	1	FLYWHEEL VOITH 666066-	
11	V835328783	1	STARTER RING	
12	V836659527	1	GUIDE SLEEVE	
13	V836759798	1	BRACKET	
14	V528801362	1	HEX CAP SCREW	
15	V528801760	1	HEX CAP SCREW	
16	V504800800	1	NUT	
17	V528802180	1	HEX CAP SCREW	
18	V836859311	1	PLUG	
19	V500150842	2	WASHER	
20	VHC8519	2	HEX SOCKET SCREW	M12 X 140 DIN912 8.8
21	V836755361	1	SUPPORT	
22	V529702250	8	HEX CAP SCREW	
23	V836355864	1	RING	
24	V500951200	8	SPRING WASHER	
25	V34172400	1	HOLDER	
26	VJD0408	2	WASHER	M8
27	VHA6322	2	SCREW	M8 X 16 SFS_EN_ISO_4017 8.8
28	V32604200	1	BAND	
29	ACV0799330	1	GROMMET	

6350HI TRACTOR (HITECH SERIES)
SPIMG-008-21-08



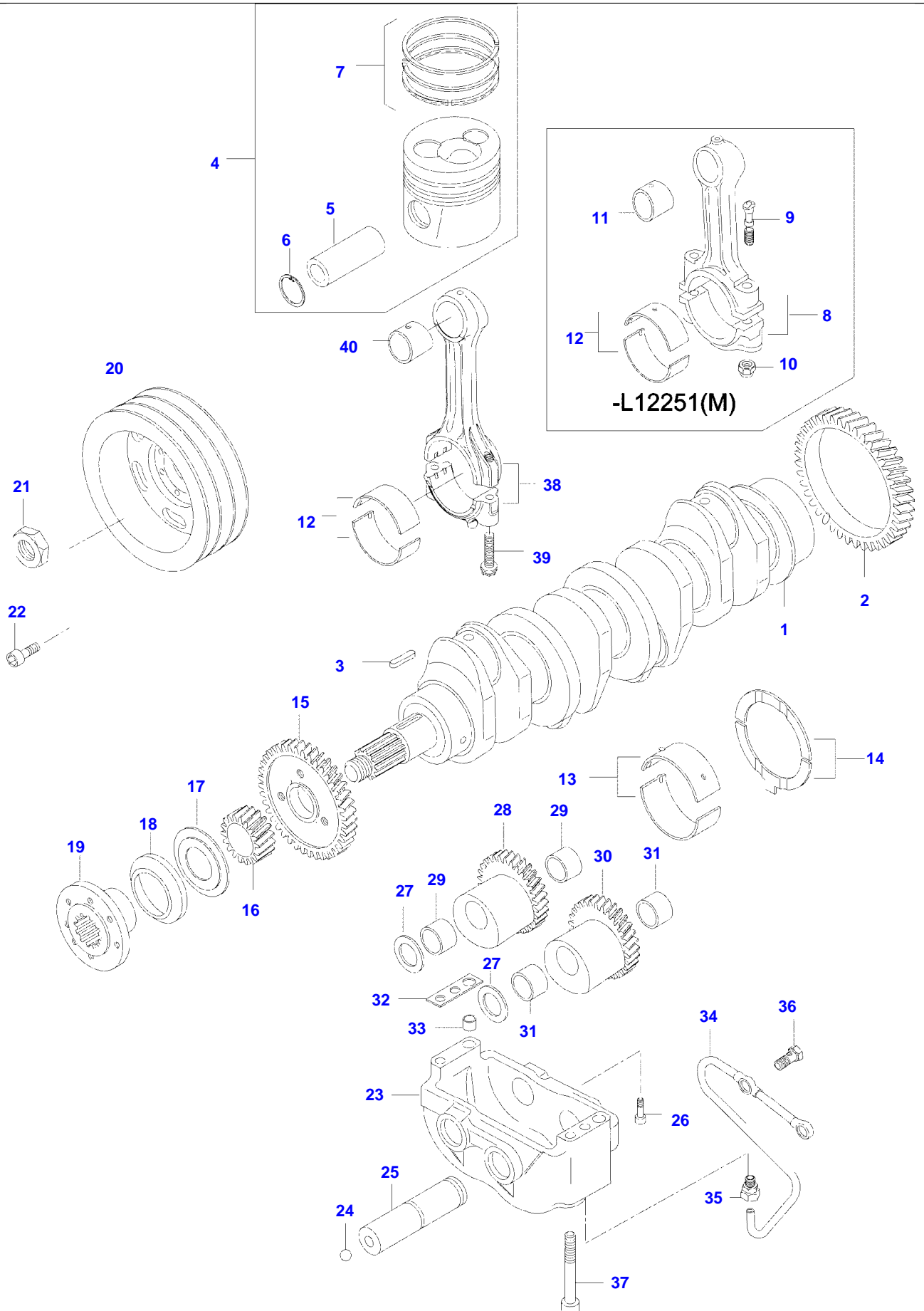
Item	Part Number	Qty	Description Comments
1	V836755383	1	CYLINDER
2	V836647601	8	GUIDE
3	V836647600	4	VALVE SEAT
5	V836647942	8	EXHAUST CUP PLUG
6	V837070291	1	CYLINDER HEAD GASKET S1
7	V836859104	19	HEXAGON FLANGE BOLT
8	V546901435	8	STUD BOLT
9	V836746361	1	VALVE ROCKER COVER
10	V836746362	1	VALVE ROCKER COVER GASKET S1
11	V528801780	3	HEX CAP SCREW
12	V836119855	4	WASHER
13	V836012841	4	RUBBER BUSHING S1
14	V546801900	4	STUD BOLT
15	V836655406	4	SLEEVE NUT
16	V836119837	1	HOSE COUPLER
17	V615881822	1	SEALING WASHER S1
18	V528801800	4	HEX CAP SCREW M10
19	V836855349	2	LIFT EYE
20	V836859110	3	NUT
21	V836859109	3	STUD BOLT
22	V836647814	1	RUBBER HOSE
23	V595959140	2	PIN
24	V835329746	1	CABLE TIE
25	V836647835	1	LIFTING EYE EXTENSION
27	V836659175	1	STUD BOLT
28	V836740854	1	CYLINDER HEAD
29	V836666199	1	HEAT SHIELD
30	V836659103	1	SPRING

6350HI TRACTOR (HITECH SERIES)
SPIMG-008-21-12



Item	Part Number	Qty	Description Comments
1	V836767044	1	ROCKER SHAFT ASM
1	V836666608	8	ROCKER ARM
			.
			-S12222 (M)
	V836667042	8	ROCKER ARM
			.
			S12223- (M)
2	V512861000	8	NUT
			..
3	V836655866	8	ADJUSTING SCREW
			..
			-S12222 (M)
	V837069023	8	VALVE ROCKER ADJUSTMENT SCREW
			..
			S12223- (M)
4	V836655899	2	PLUG
			.
			-S12222 (M)
	V837069020	2	PLUG
			.
			S12223- (M)
5	V836655869	4	BRACKET
			.
6	V836655884	3	SPRING
			.
7	V836755871	1	SHAFT
			.
8	V836655406	4	SLEEVE NUT
9	V836655867	8	PUSHROD
10	V836014264	8	TAPPET
11	V836746375	1	CAMSHAFT
12	V603305760	1	WOODRUFF KEY
13	V836646389	1	GEAR,CAMSHAFT
14	V836646382	16	COTTER
15	V836646381	8	WASHER
16	V836646380	8	SPRING
17	V836646357	4	EXHAUST VALVE
18	V836646356	4	INTAKE VALVE

6350HI TRACTOR (HITECH SERIES)
SPIMG-008-21-16

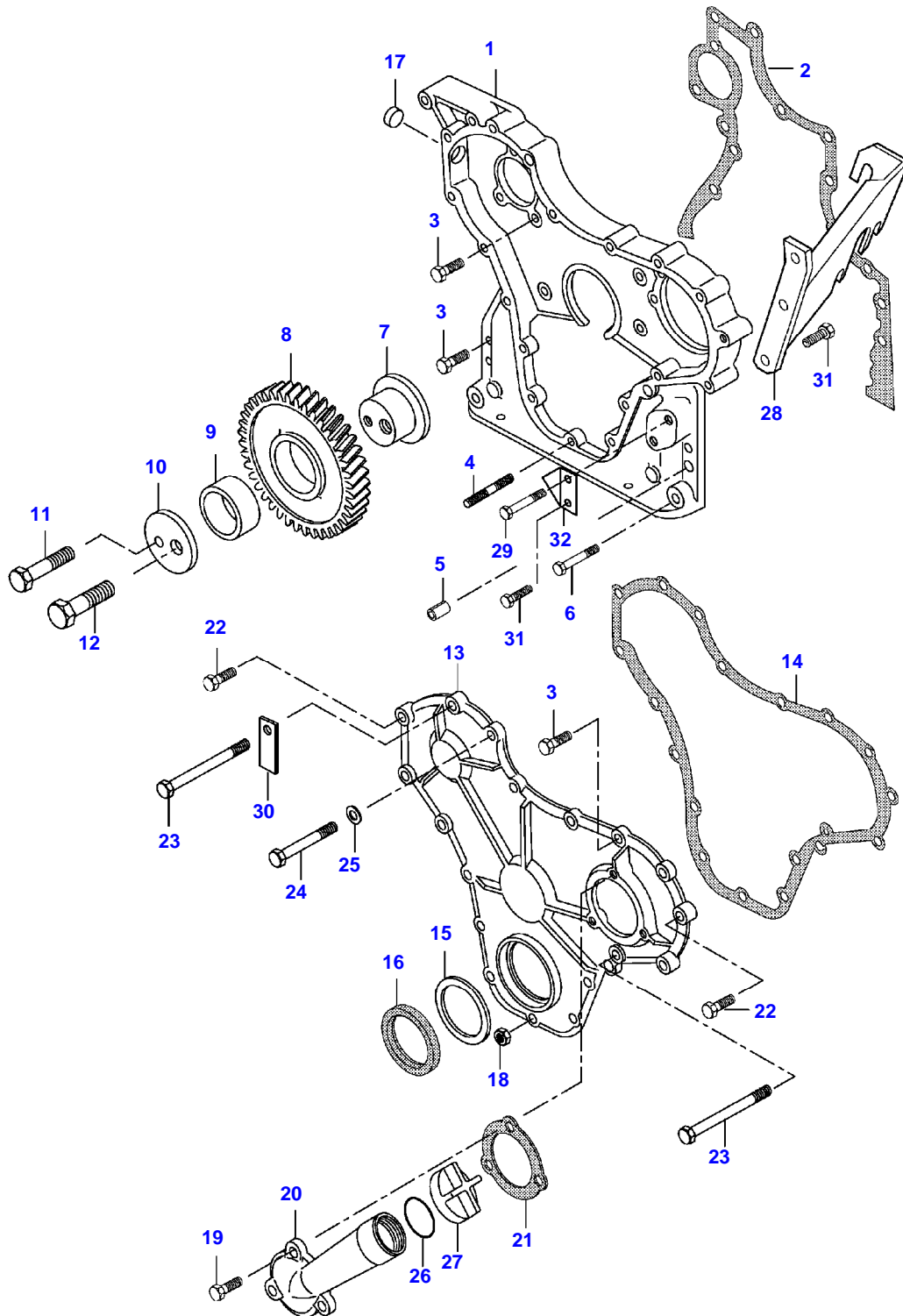


Item	Part Number	Qty	Description Comments	Technical Specification
1	V836747324	1	CRANKSHAFT	
2	V836124524	1	GEAR	
3	V603345110	1	KEY	
4	V836640073	4	PISTON -N19959(M)	
	V836659702	4	PISTON N19960-(M)	
5	NS	4	NON-SERVICEABLE PART	
6	NS	8	PISTON PIN NON-SERVICEABLE PART	
7	V836640078	4	CIRCLIP PISTON RING KIT	
	V836640126	4	-N19959(M) PISTON RING KIT	
8	V836647460	4	N19960-(M) CONROD 2150-2169 G X -L12251(M)	
	V836652104		CONROD 2170-2189 G A -L12251(M)	
	V836652105		CONROD 2190-2209 G B -L12251(M)	
	V836652106		CONROD 2210-2229 G C -L12251(M)	
	V836652107		CONROD 2230-2249 G D -L12251(M)	
	V836652108		CONROD 2250-2269 G E -L12251(M)	
	V836652109		CONROD 2270-2289 G H -L12251(M)	
	V836652110		CONROD 2290-2309 G I -L12251(M)	
	V836652111		CONROD 2310-2329 G J -L12251(M)	
	V836652112		CONROD 2330-2349 G K -L12251(M)	
	V836652113		CONROD 2350-2369 G L -L12251(M)	
	V836652114		CONROD 2370-2389 G M -L12251(M)	
	V836652115		CONROD 2390-2409 G N -L12251(M)	
	V836652116		CONROD 2410-2429 G O -L12251(M)	
	V836652117		CONROD 2430-2449 G P -L12251(M)	

Item	Part Number	Qty	Description Comments	Technical Specification
	V836652118		CONROD 2450-2469 G R -L12251(M)	
	V836652119		CONROD 2470-2489 G S -L12251(M)	
	V836652120		CONROD 2490-2509 G T -L12251(M)	
	V836652121		CONROD 2510-2529 G U -L12251(M)	
	V836740859	1	CONNECTING ROD KIT INCLUDES: REF. 38-40 L12252-(M)	
38	NS		NON-SERVICEABLE PART CONNECTING ROD 1935-1954 G F L12252-(M)	
	NS		NON-SERVICEABLE PART CONNECTING ROD 1955-1974 G V L12252-(M)	
	NS		NON-SERVICEABLE PART CONNECTING ROD 1975-1994 G X L12252-(M)	
	NS		NON-SERVICEABLE PART CONNECTING ROD 1995-2014 G Y L12252-(M)	
	NS		NON-SERVICEABLE PART CONNECTING ROD 2015-2034 G W L12252-(M)	
	NS		NON-SERVICEABLE PART CONNECTING ROD 2035-2054 G Z L12252-(M)	
	NS		NON-SERVICEABLE PART CONNECTING ROD 2055-2074 G G L12252-(M)	
9	V836646204	8	CONNECTING ROD BOLT . -L12251(M)	
39	V836864141	8	CONNECTING ROD BOLT . L12252-(M)	
10	V836646205	8	NUT . -L12251(M)	
11	V836646271	4	BEARING BUSH . -L12251(M)	
40	V836110646	4	BEARING BUSH . L12252-(M)	STD
12	V836110552	4	BEARING SHELL SEE PAGE 01-0031	
13	V836655514	5	MAIN BEARING SEE PAGE 01-0031	
14	V836119459	2	THRUST WASHER SEE PAGE 01-0031	
15	V836119550	1	GEAR,CRANKSHAFT	

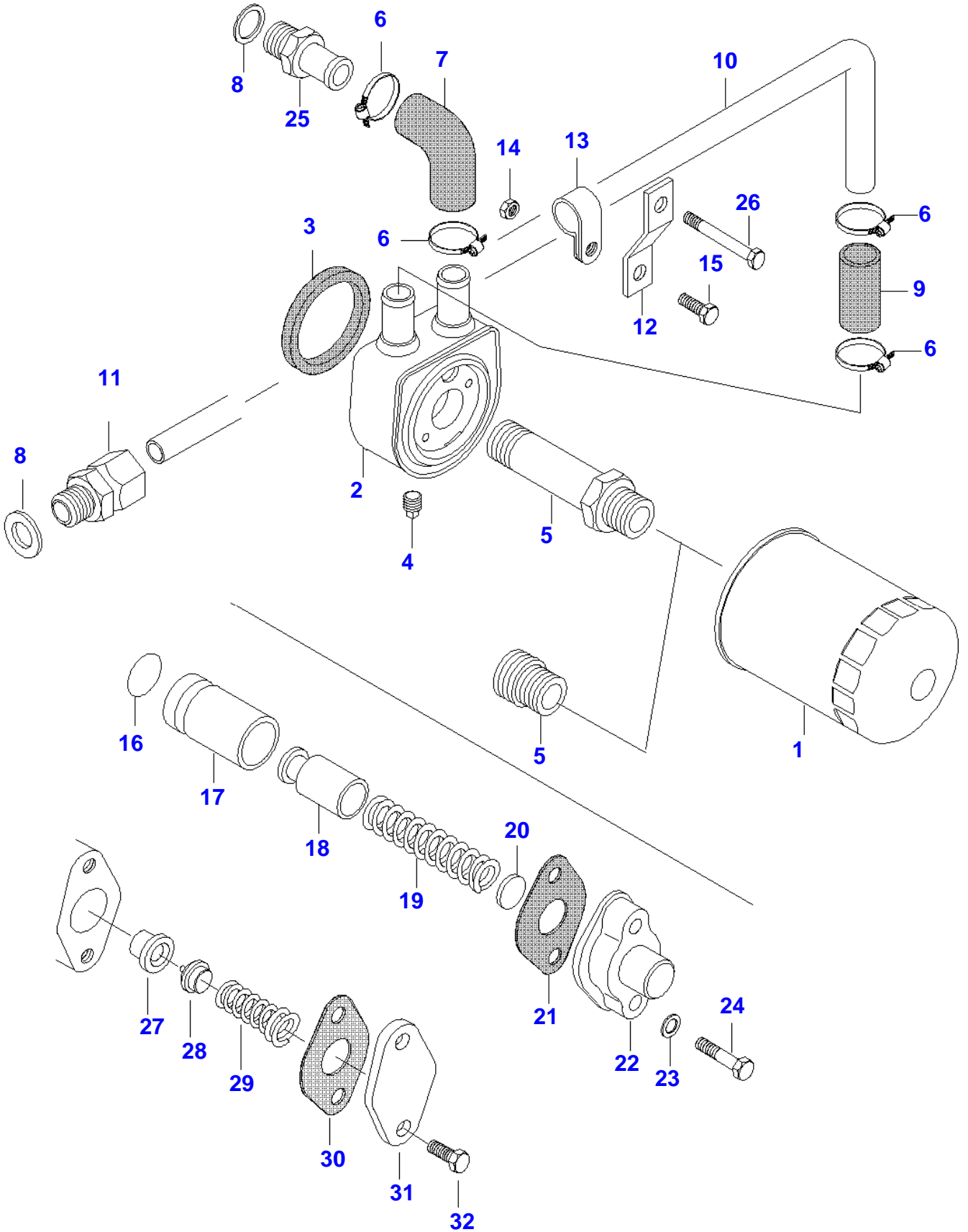
Item	Part Number	Qty	Description Comments	Technical Specification
16	V836122840	1	GEAR,CRANKSHAFT	
17	V836129781	1	RING	
18	V836136271	1	SHIELD -P10523(M)	
19	V836846463	1	CRANKSHAFT HUB	
20	V836655534	1	CRANKSHAFT V-BELT PULLEY	
21	V836647310	1	CRANKSHAFT NUT	
22	V581804600	6	HEX SOCKET SCREW	
23	V836747349	1	BALANCER -L10351(M)	
	V836766123	1	COUNTERWEIGHT L10352-(M)	
24	V616810103	2	BALL	
25	V836146879	2	SHAFT	
26	V581804200	2	HEX SOCKET SCREW	
27	V836146880	4	THRUST WASHER	
28	V836146877	1	GEAR -L10351(M)	
	V836766121	1	COUNTERWEIGHT L10352-(M)	
29	V836146876	2	BEARING BUSH	
30	V836146878	1	GEAR -L10351(M)	
	V836766122	1	COUNTERWEIGHT L10352-(M)	
31	V836146876	2	BEARING BUSH	
32	V836119920		SHIM	
33	V598359850	2	PIN	
34	V836747298	1	OIL PIPE	
35	V641016008	1	STRAIGHT FITTING	
36	V640435008	2	BANJO BOLT	
37	V581805170	4	HEX SOCKET SCREW	

6350HI TRACTOR (HITECH SERIES)
SPIMG-008-21-20



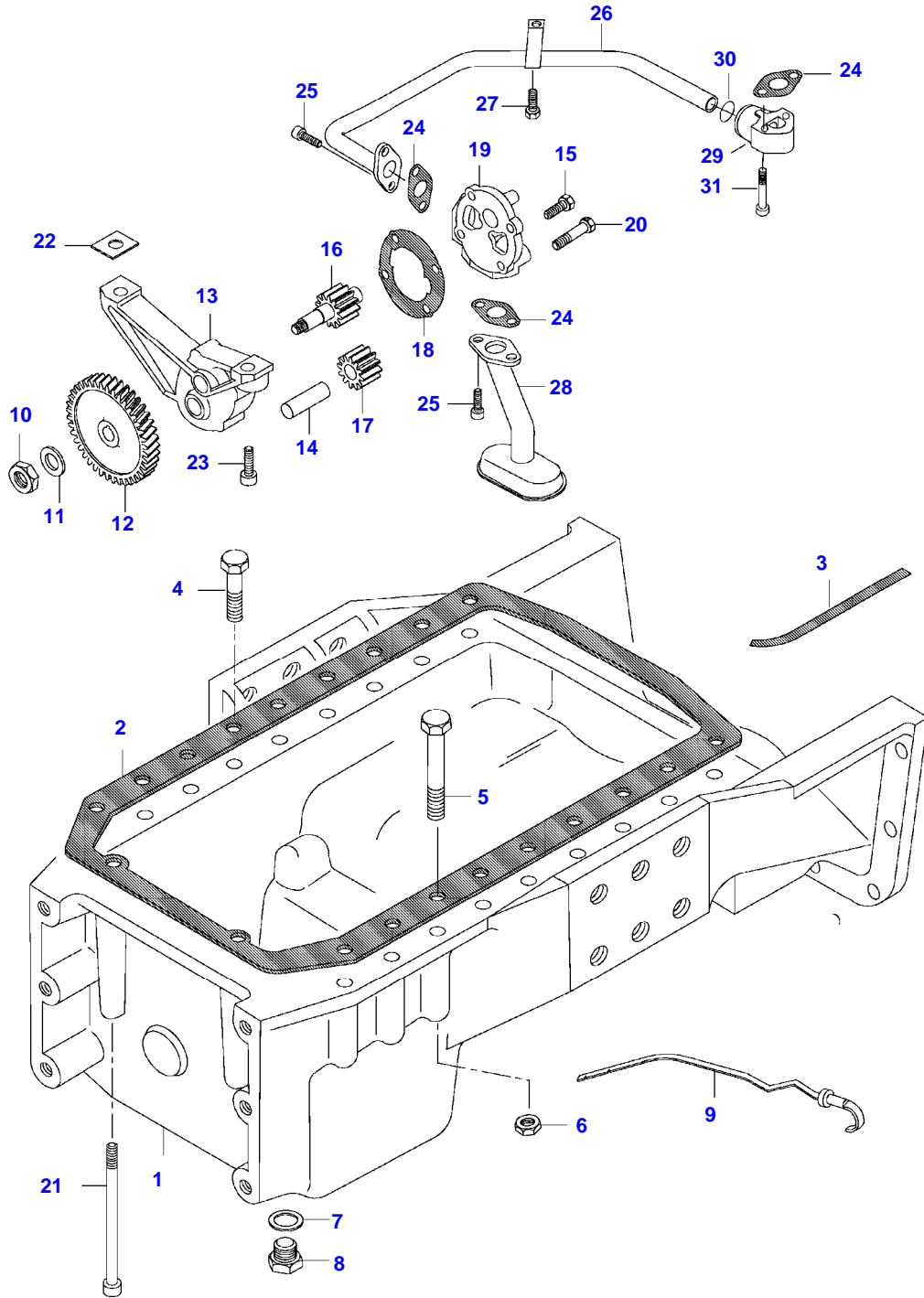
Item	Part Number	Qty	Description Comments	Technical Specification
1	V836647865	1	TIMING GEAR CASE -N19959(M)	
	V836666400	1	TIMING GEAR CASE N19960-S9538(M)	
	V836667947	1	TIMING GEAR CASE S9539-(M)	
2	V836647419	1	GASKET S2	
	VUK0182	1	GASKET SEALPASTE S9539-(M)	250ML
3	V528801400	11	HEX CAP SCREW	
4	V546801380	4	STUD BOLT	
5	V598359850	4	PIN	
6	V529801440	2	HEX CAP SCREW	
7	V836129709	1	SHAFT	
8	V836129863	1	IDLER GEAR	
9	V836129844	1	BEARING BUSH	
10	V836129845	1	FLANGE	
11	V528801860	1	HEX CAP SCREW	
12	V529902680	1	HEX CAP SCREW	
13	V836647572	1	GEAR HOUSING FRONT COVER	
14	V836129942	1	GASKET S2	
	VUK0182	1	GASKET SEALPASTE S9539-(M)	250ML
15	V836129782	1	COVER	
16	V614105880	1	OIL SEAL S2	
17	V640016016	1	CUP PLUG	
18	V504800800	5	NUT	
19	V528801380	3	HEX CAP SCREW	
20	V836746921	1	PIPE	
21	V836129946	1	GASKET S2	
22	V528801420	4	HEX CAP SCREW	
23	V529801500	2	HEX CAP SCREW	
24	V529801470	3	HEX CAP SCREW	
25	V836120989	1	WASHER	
26	V614604740	1	O-RING S2	
27	V836338733	1	OIL FILLER CAP	
28	V836659804	1	THROTTLE SENSOR BRACKET -K14472(M)	
	V836664528	1	THROTTLE SENSOR BRACKET K14473-(M)	
29	V529801450	1	HEX CAP SCREW	
30	V836083428	1	CABLE TIE	
31	V528801362	3	HEX CAP SCREW	
32	V836747675	1	TIMING MARK INDICATOR N19960-(M)	

6350HI TRACTOR (HITECH SERIES)
SPIMG-008-21-24



Item	Part Number	Qty	Description Comments
1	V836162572	1	ENGINE OIL FILTER
5	V836647404	1	UNION
	V835340042	1	OIL PRESSURE CONTROL VALVE -J7600(M)
16	V614601524	1	O-RING
			.
			S2
17	V836117834	1	CYLINDER
			.
18	V836338850	1	OIL PRESSURE CONTROL VALVE
			.
19	V836117836	1	SPRING
			.
20	V836020290	1	INJECTOR SHIM
			.
21	V836322190	1	GASKET
			.
			S2
22	V836129849	1	COVER
23	V500950800	2	SPRING WASHER
24	V528801420	2	HEX CAP SCREW
	V836662129	1	OIL PRESSURE CONTROL VALVE J7601-(M)
27	V836659521	1	VALVE SEAT
			.
28	V836659522	1	VALVE CONE
			.
29	V836659523	1	SPRING
			.
30	V836322190	1	GASKET
			.
			S2
31	V836659524	1	COVER
			.
32	V528801380	2	HEX CAP SCREW
			.
			M8 X 20

6350HI TRACTOR (HITECH SERIES)
SPIMG-008-21-30





Suggest:

For more complete manuals. Please go to the home page.

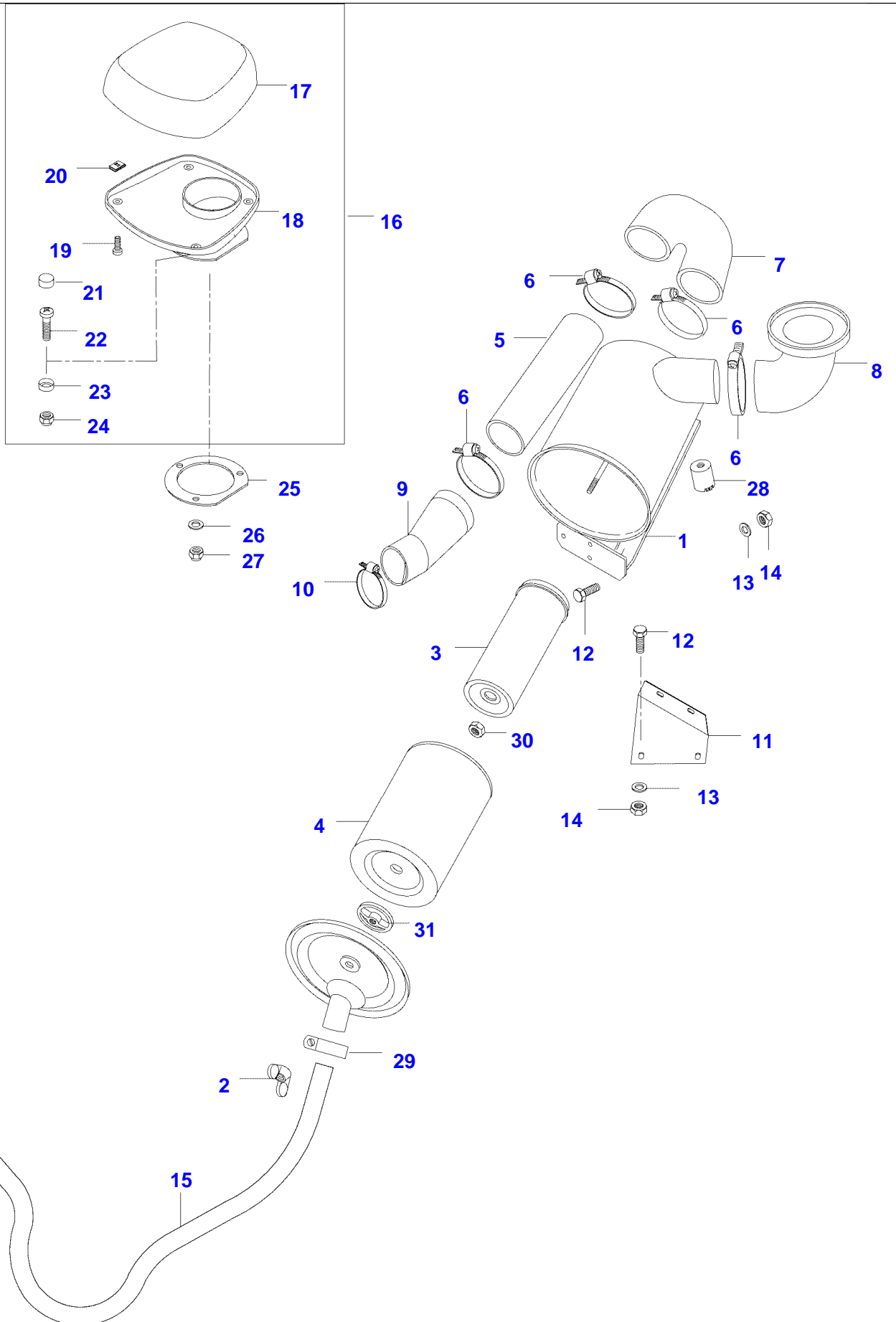
<https://www.ebooklibonline.com>

If the above button click is invalid. Please download this document first, and then click the above link to download the complete manual.

Thank you so much for reading

Item	Part Number	Qty	Description Comments
1	V836136014	1	OIL SUMP V30146600
2	V836129728	1	OIL SUMP GASKET S2
3	V836129727	2	GASKET S2
4	V529702270	11	HEX CAP SCREW
5	V529902390	7	HEX CAP SCREW
6	V504801200	18	NUT
7	V615881827	1	SEALING WASHER S2
8	V836655493	1	PLUG
9	V836129939	1	DIPSTICK -R13715(M)
	V836767743	1	DIPSTICK R13716-(M) BLUE
	V836652605	1	LUBRICATING OIL PUMP
10	V504861000	1	NUT
11	V836122910	1	WASHER
12	V836338667	1	GEAR
13	V836120195	1	HOUSING
14	V836120191	1	OIL PUMP SHAFT
15	V528801380	2	HEX CAP SCREW
16	V836652600	1	OIL PUMP SHAFT
17	V836120193	1	GEAR
18	V836119796	1	GASKET S2
19	V836129412	1	COVER
20	V529801440	2	HEX CAP SCREW
21	V581704800	2	HEX SOCKET SCREW
22	V836007871		SHIM
23	V581805050	2	HEX SOCKET SCREW
24	V836008449	3	GASKET S2
25	V581804600	4	HEX SOCKET SCREW
26	V836766983	1	OIL PIPE
27	V528801760	1	HEX CAP SCREW
28	V836138033	1	AIR PIPE
29	V836766984	1	ADAPTER FLANGE
30	V614701830	1	O-RING
31	V581804680	2	HEX SOCKET SCREW

6350HI TRACTOR (HITECH SERIES)
SPIMG-008-21-36



<https://www.ebooklibonline.com>

Hello dear friend!

Thank you very much for reading.

Enter the link into your browser.

The full manual is available for immediate download.

<https://www.ebooklibonline.com>