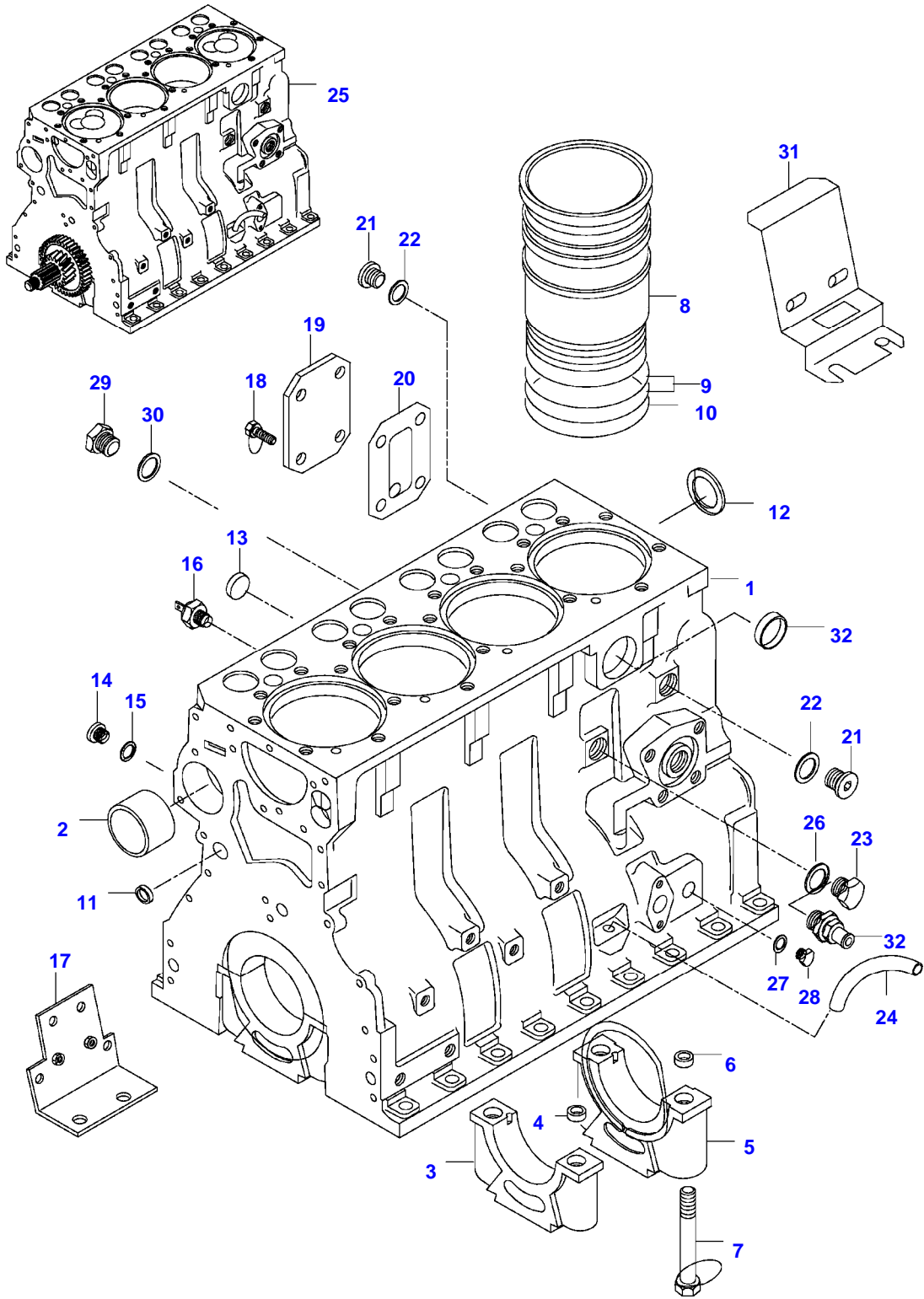


Page Number	Page Title	Page Reference
01-000-TOC	ENGINE, FUEL AND EXHAUST SYSTEM	01-000-TOC
02-000-TOC	AXLES	02-000-TOC
03-000-TOC	STEERING SYSTEM	03-000-TOC
04-000-TOC	DRIVE TRAIN SYSTEM	04-000-TOC
05-000-TOC	BRAKE SYSTEM	05-000-TOC
06-000-TOC	COMPRESSED AIR SYSTEM	06-000-TOC
07-000-TOC	HYDRAULIC SYSTEM	07-000-TOC
08-000-TOC	ELECTRICAL SYSTEM	08-000-TOC
09-000-TOC	CAB	09-000-TOC
10-000-TOC	AIR CONDITIONING AND HEATING SYSTEM	10-000-TOC
11-000-TOC	CHASSIS	11-000-TOC
12-000-TOC	DECALS	12-000-TOC
13-000-TOC	WHEELS	13-000-TOC
14-000-TOC	IMPLEMENT DRIVE SYSTEM	14-000-TOC
15-000-TOC	IMPLEMENT LIFT SYSTEM FRONT	15-000-TOC
16-000-TOC	IMPLEMENT LIFT SYSTEM REAR	16-000-TOC
17-000-TOC	PRECISION FARMING SYSTEMS	17-000-TOC
18-000-TOC	ATTACHMENTS	18-000-TOC
19-000-TOC	GENERAL INFORMATION	19-000-TOC

Page Number	Page Title	Page Reference
01-0001	CYLINDERBLOCK	21-04
01-0002	FLYWHEEL AND HOUSING	21-08
01-0003	CYLINDER HEAD	21-16
01-0004	VALVE MECHANISM	21-22
01-0005	CRANK MECHANISM	21-28
01-0006	GEAR HOUSING	21-32
01-0007	OIL FILTER	21-34
01-0008	OIL SUMP	21-40
01-0009	AIR CLEANER	21-48
01-0010	INTAKE- AND EXHAUST PIPE	21-58
	-N10361(M)	
01-0011	INTAKE- AND EXHAUST PIPE	21-58A
	N10362-(M)	
01-0012	MUFFLER	21-64
01-0013	TURBOCHARGER	21-72
01-0014	COLD-STARTING DEVICE	21-80
01-0015	FEED PUMP	22-04
01-0016	FUEL FILTER	22-18
	-G16521(M)	
01-0017	FUEL FILTER	22-16
	G16522-N19955(M)	
01-0018	FUEL FILTER	22-16.1
	N19956-(M)	
01-0019	FUEL PIPES	22-30
01-0020	INJECTION PUMP	22-40
01-0021	INJECTION PUMP	22-36A.1
	N19956-(M)	
01-0022	SPEED LEVERS	22-50
01-0023	RADIATOR	23-02
01-0024	COOLANT PUMP	23-10
	-K10200(M)	
01-0025	COOLANT PUMP	23-10A
	K10201-(M)	
01-0026	STARTERMOTOR	31-02
01-0027	STARTERMOTOR	31-04
01-0028	ALTERNATOR	31-06
	-K6495(M)	
01-0029	ALTERNATOR	31-06A
	K6496-K14993(M)	
01-0030	ALTERNATOR	31-12
	K14994-(M)	
01-0031	ALTERNATOR	31-14
	K14994-(M)	
01-0032	GASKET SETS	28-04
01-0033	GASKET SETS	28-10
01-0034	ENGINE REPAIR KIT AND BEARING	28-14
01-0035	ADJUSTING PLATE FOR INJECTOR	28-18
01-0036	PREFILTER (OPTIONAL EQUIPMENT)	29-02
01-0037	CATALYZER (OPTIONAL EQUIPMENT)	29-16
01-0038	PILLAR EXHAUST PIPE (OPTIONAL EQUIPMENT)	29-18
01-0039	ELECTRIC STOP (OPTIONAL EQUIPMENT)	39-34
01-0040	ENGINE HEATER (OPTIONAL EQUIPMENT)	39-04

6200 TRACTOR (MEZZO SERIES)
SPIMG-006-21-04



<https://www.ebooklibonline.com>

Hello dear friend!

Thank you very much for reading.

Enter the link into your browser.

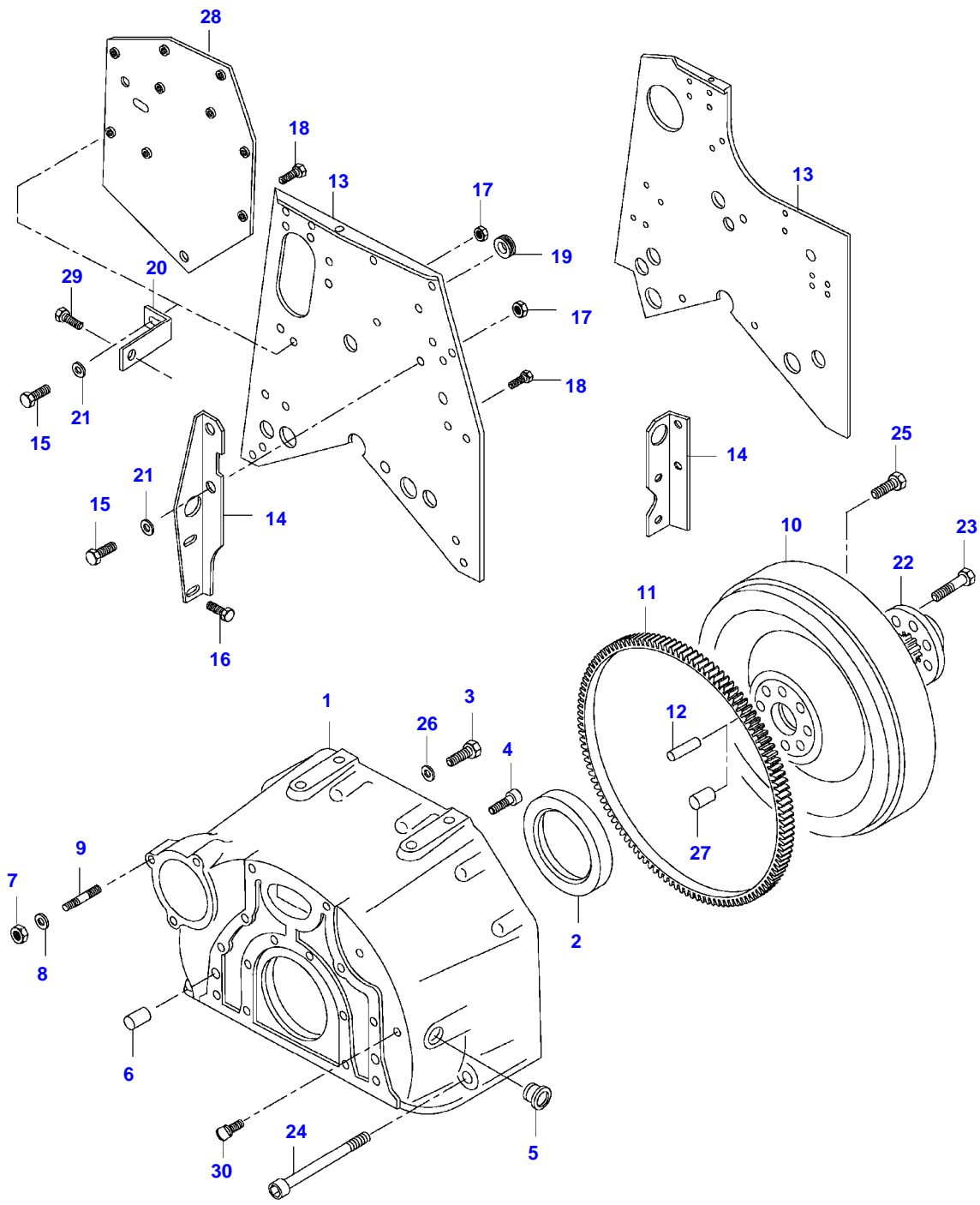
The full manual is available for immediate download.

<https://www.ebooklibonline.com>

Item	Part Number	Qty	Description Comments	Technical Specification
1	V836766377	1	CYLINDER BLOCK	
2	V836866069	1	CAMSHAFT BEARING BUSHING	
3	NS	4	NON-SERVICEABLE PART	
4	V836214478	8	BEARING COVER GUIDE SLEEVE	
5	NS	1	NON-SERVICEABLE PART	
6	V836214478	2	BEARING COVER GUIDE SLEEVE	
7	V835329030	10	HEX CAP SCREW	
8	V836666990	4	LINER	
	V836647933		LINER FLANGE S=9.08	FLANGE HEIGHT + 0.05 MM
	V836647934		LINER FLANGE S=9.13	FLANGE HEIGHT + 0.10 MM
	V836647935		LINER FLANGE S=9.23	FLANGE HEIGHT + 0.15 MM
9	V836647502	8	CYLINDER LINER O-RING S2	
10	V836647503	4	CYLINDER LINER O-RING S2	
11	V640016016	4	CUP PLUG	
12	V836529872	1	PLUG	
13	V640016018	1	CUP PLUG	
14	V640325110	2	SCREW PLUG	
15	V615571014	2	SEALING WASHER S2	
16	V887283760	1	PRESSURE SWITCH	
17	V836647927	1	RETAINING PLATE LEFT	
	V836647926	1	RETAINING PLATE RIGHT	
18	V528801362	2	HEX CAP SCREW -H2058(M)	
	V528801362	4	HEX CAP SCREW H2059-(M)	
19	V836647400	1	COVER -H2058(M)	
	V836866957	1	COVER H2059-(M)	
20	V836647401	1	GASKET -H2058(M)	
	V836866958	1	GASKET H2059-(M) S2	
21	V640325018	2	PLUG	
22	V615881822	2	SEALING WASHER	
23	V836019756	1	PLUG	
24	V836129747	1	OIL DIPSTICK GUIDE PIPE	
25	V862640001	1	REMANUFACTURED SHORT BLOCK ENGINE	
26	V615881824	1	SEALING WASHER S2	
27	V615881216	1	SEALING WASHER S2	
28	V640305012	1	PLUG	
31	V836755844	2	SUPPORT	
32	V836664377	1	DRAIN VALVE	

Item	Part Number	Qty	Description Comments	Technical Specification
	V836740280	1	ENGINE GASKET KIT S1	
	V836740281	1	ENGINE GASKET KIT S1+S2	

6200 TRACTOR (MEZZO SERIES)
SPIMG-006-21-08



Item	Part Number	Qty	Description Comments	Technical Specification
1	V836647040	1	FLYWHEEL HOUSING	
	V836647439	1	FLYWHEEL HOUSING HYDRAULIC CLUTCH VOITH	
	V836146956	1	FLYWHEEL HYDRAULIC CLUTCH TRANSFLUID	
2	V614500002	1	CRANKSHAFT SEAL S2	
3	V529702220	8	HEX CAP SCREW	
4	V581705030	6	HEX SOCKET SCREW	
5	V836007572	1	RUBBER PLUG	
6	V598359850	2	PIN	
7	V504601000	3	NUT	
8	V500951000	3	SPRING WASHER	
9	V546801800	3	STUD BOLT	
10	V836146784	1	FLYWHEEL	
	V836759818	1	FLYWHEEL H17045-(M)	
	V836752255	1	FLYWHEEL HYDRAULIC CLUTCH VOITH D 9373-(M)	
	V836759820	1	FLYWHEEL HYDRAULIC CLUTCH VOITH 666066-	
	V836752257	1	FLYWHEEL HYDRAULIC CLUTCH TRANSFLUID	
11	V835328783	1	STARTER RING	
12	V595955060	1	PIN	
13	V836647590	1	PLATE	
	V836755845	1	FLYWHEEL HOUSING PILLAR EXHAUST PIPE	
14	V32999100	1	SUPPORT 1995-	
	V836755585	1	LIFT EYE UNITED STATES OF AMERICA	
15	V528801362	4	HEX CAP SCREW	
16	V528801380	2	HEX CAP SCREW	
	V528801800	2	HEX CAP SCREW	
17	V504800800	3	NUT	
18	V528802180	2	HEX CAP SCREW	
19	V835338745	1	RUBBER INLET	
20	V836755361	1	SUPPORT	
21	V500150842	3	WASHER	
22		1	HUB HYDRAULIC CLUTCH SEE PAGE 04-0002	
23	V529902240	7	HEX CAP SCREW HYDRAULIC CLUTCH SEE PAGE 04-0002	
24	VHC9784	2	HEX SOCKET SCREW	M12 X 140 SFS_EN_ISO_4762 12.9
25	V528702230	8	HEX CAP SCREW	
	V529702250	8	HEX CAP SCREW HYDRAULIC CLUTCH	
26	V500951200	8	SPRING WASHER	
27	V836659527	1	GUIDE SLEEVE H17045-(M)	
28	V836759798	1	BRACKET J6780-(M)	
29	V528801362	1	HEX CAP SCREW	
	V528801760	1	HEX CAP SCREW	

Valtra

6200 TRACTOR (MEZZO SERIES)

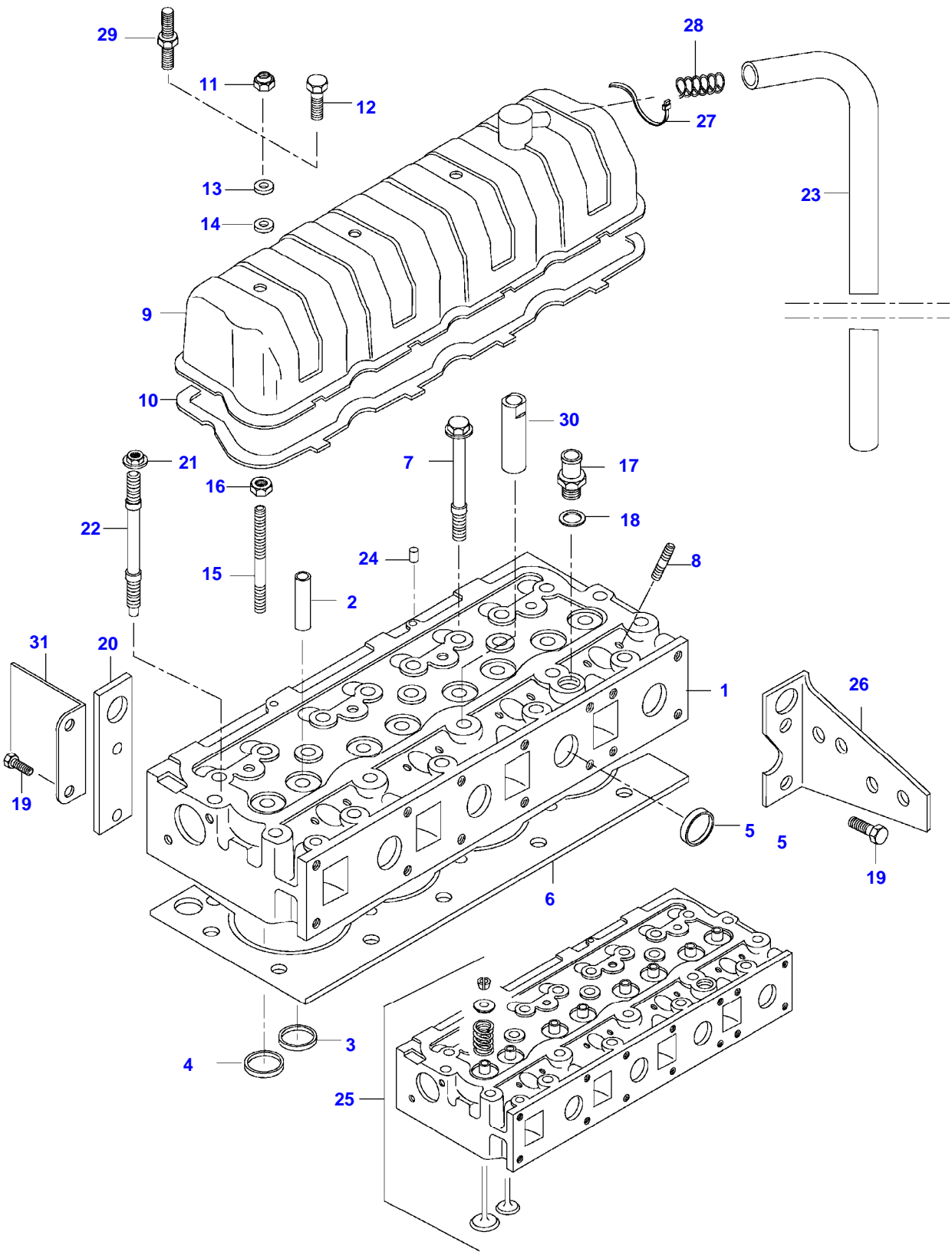
VFZ6200

FLYWHEEL AND HOUSING

Page01-0002

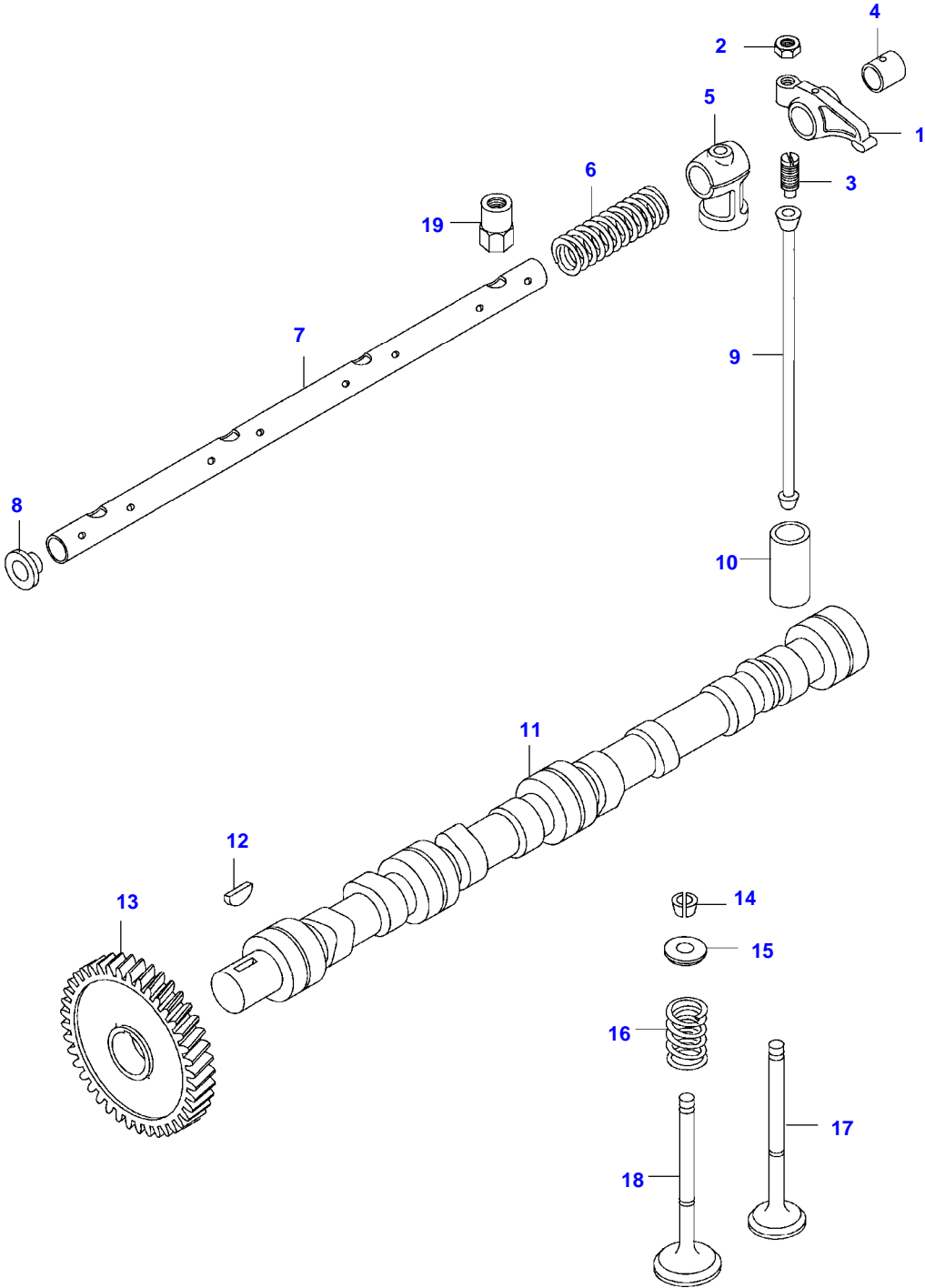
Item	Part Number	Qty	Description Comments	Technical Specification
30	V836859311	1	PLUG	

6200 TRACTOR (MEZZO SERIES)
SPIMG-006-21-16



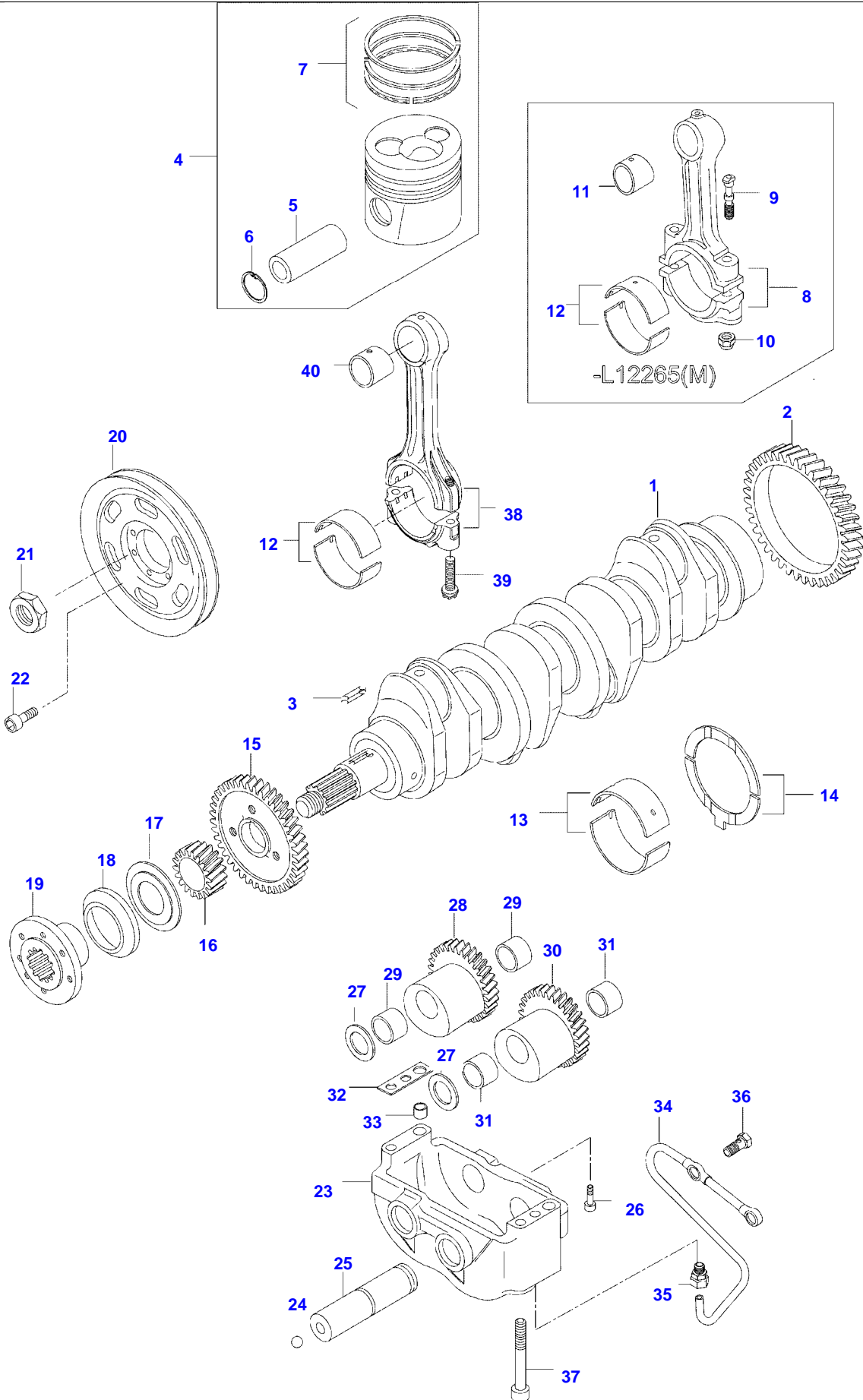
Item	Part Number	Qty	Description Comments
1	V836755383	1	CYLINDER
2	V836647601	8	GUIDE
3	V836647600	4	VALVE SEAT
5	V836647942	8	EXHAUST CUP PLUG
6	V837070291	1	CYLINDER HEAD GASKET S1
7	V836859104	20	HEXAGON FLANGE BOLT -K14993(M)
	V836859104	19	HEXAGON FLANGE BOLT K14994-(M)
8	V546901435	8	STUD BOLT
9	V836746361	1	VALVE ROCKER COVER
10	V836746362	1	VALVE ROCKER COVER GASKET S1
11	V510601002	4	NUT
12	V528801780	4	HEX CAP SCREW F9293-(M)
13	V836119855	4	WASHER
14	V836012841	4	RUBBER BUSHING S1
15	V836652357	4	STUD BOLT -F9292(M)
	V546801900	4	STUD BOLT F9293-(M)
16	V504601000	4	NUT -F9292(M)
	V836655406	4	SLEEVE NUT F9293-(M)
17	V836119837	1	HOSE COUPLER
18	V615881822	1	SEALING WASHER S1
19	V528801380	2	HEX CAP SCREW
	V528801800	4	HEX CAP SCREW
20	V836855349	1	LIFT EYE
	V836855349	2	LIFT EYE J6780-(M)
21	V836859110	2	NUT -K14993(M)
	V836859110	3	NUT K14994-(M)
22	V836859109	2	STUD BOLT -K14993(M)
	V836859109	3	STUD BOLT K14994-(M)
23	V836647814	1	RUBBER HOSE
24	V595959140	2	PIN
25	V836740854	1	CYLINDER HEAD
27	V835329746	1	CABLE TIE
28	V836659103	1	SPRING
29	V836659175	1	STUD BOLT K14994-(M)
30	V836667062	1	LIFTING EYE EXTENSION K14994-(M)
31	V836666199	1	HEAT SHIELD L8344-(M)

6200 TRACTOR (MEZZO SERIES)
SPIMG-006-21-22



Item	Part Number	Qty	Description Comments
	V836746331	1	ROCKER SHAFT ASM -F9292(M)
1	V835328363	8	ROCKER ARM
2	V504800800	8	NUT
3	V836010106	8	VALVE ROCKER ADJUSTMENT SCREW
4	V836006586	8	BEARING
5	V836006580	4	BRACKET
6	V836006582	3	SPRING
7	V836746330	1	SHAFT
8	V836655113	2	PLUG
	V836767044	1	ROCKER SHAFT ASM F9293-(M)
1	V836666608	8	ROCKER ARM -S12222(M)
	V836667042	8	ROCKER ARM S12223-(M)
2	V512861000	8	NUT
3	V836655866	8	ADJUSTING SCREW -S12222(M)
	V837069023	8	VALVE ROCKER ADJUSTMENT SCREW S12223-(M)
5	V836655869	4	BRACKET
6	V836655884	3	SPRING
7	V836755871	1	SHAFT
8	V836655899	2	PLUG -S12222(M)
	V837069020	2	PLUG S12223-(M)
9	V836110237	8	PUSHROD -F9292(M)
	V836655867	8	PUSHROD F9293-(M)
10	V836014264	8	TAPPET
11	V836746375	1	CAMSHAFT
12	V603305760	1	WOODRUFF KEY
13	V836646389	1	GEAR,CAMSHAFT
14	V836646382	16	COTTER
15	V836646381	15	WASHER
16	V836646380	8	SPRING
17	V836646357	4	EXHAUST VALVE
18	V836646356	4	INTAKE VALVE
19	V836655406	4	SLEEVE NUT F9293-(M)

6200 TRACTOR (MEZZO SERIES)
 SPIMG-006-21-28

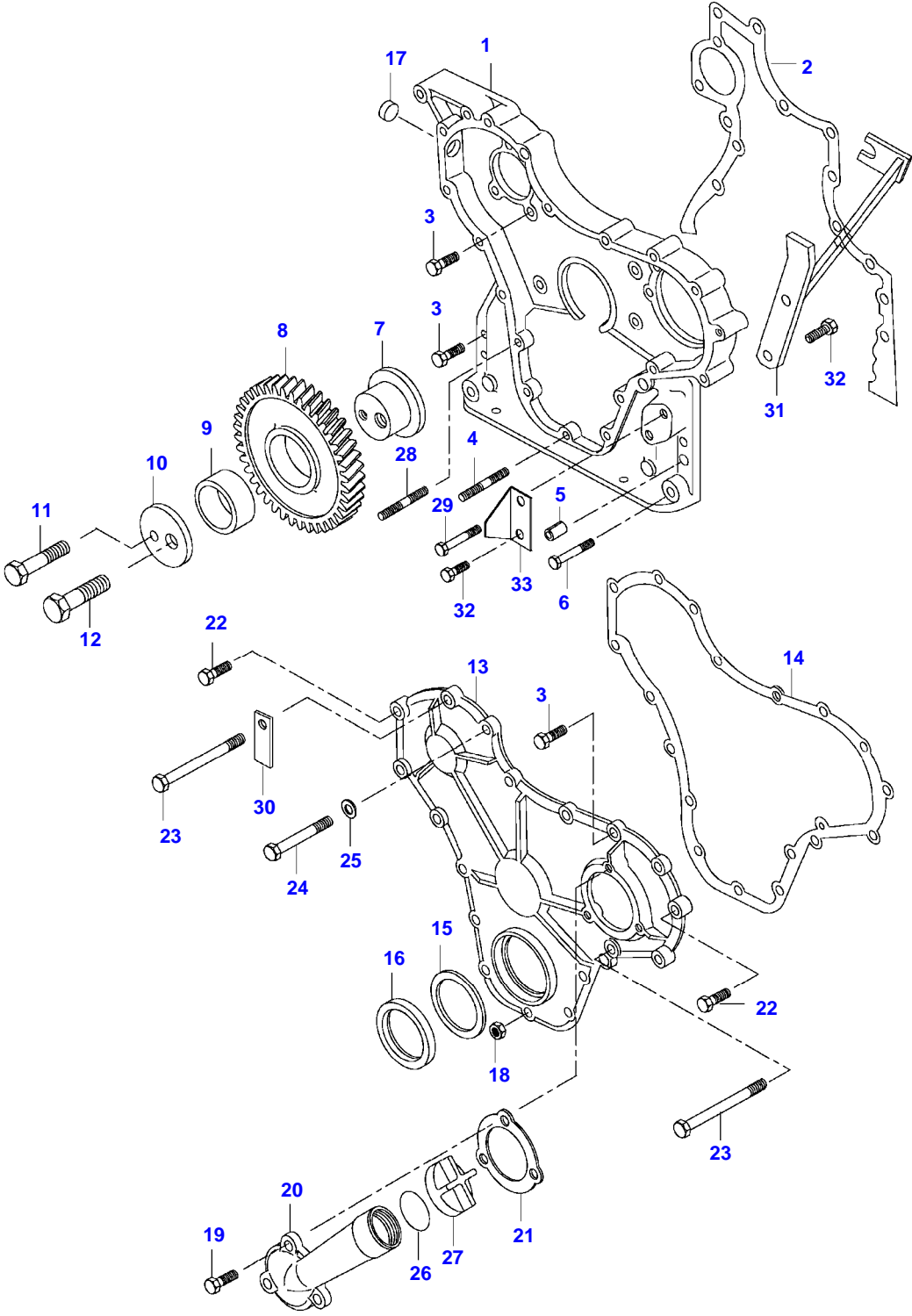


Item	Part Number	Qty	Description Comments	Technical Specification
1	V836747324	1	CRANKSHAFT	
2	V836124524	1	GEAR	
3	V603345110	1	KEY	
4	V836655269	4	KIT, PISTON	
	V836659702	4	PISTON K14994-(M)	
5	NS	4	NON-SERVICEABLE PART	
6	NS	8	PISTON PIN NON-SERVICEABLE PART	
7	V836640126	4	CIRCLIP PISTON RING KIT	
8	V836647460	4	CONROD 2150-2169 G X -L12265(M)	
	V836652104		CONROD 2170-2189 G A -L12265(M)	
	V836652105		CONROD 2190-2209 G B -L12265(M)	
	V836652106		CONROD 2210-2229 G C -L12265(M)	
	V836652107		CONROD 2230-2249 G D -L12265(M)	
	V836652108		CONROD 2250-2269 G E -L12265(M)	
	V836652109		CONROD 2270-2289 G H -L12265(M)	
	V836652110		CONROD 2290-2309 G I -L12265(M)	
	V836652111		CONROD 2310-2329 G J -L12265(M)	
	V836652112		CONROD 2330-2349 G K -L12265(M)	
	V836652113		CONROD 2350-2369 G L -L12265(M)	
	V836652114		CONROD 2370-2389 G M -L12265(M)	
	V836652115		CONROD 2390-2409 G N -L12265(M)	
	V836652116		CONROD 2410-2429 G O -L12265(M)	
	V836652117		CONROD 2430-2449 G P -L12265(M)	
	V836652118		CONROD 2450-2469 G R -L12265(M)	
	V836652119		CONROD 2470-2489 G S -L12265(M)	

Item	Part Number	Qty	Description Comments	Technical Specification
	V836652120		CONROD 2490-2509 G T -L12265(M)	
	V836652121		CONROD 2510-2529 G U -L12265(M)	
38	NS		NON-SERVICEABLE PART CONNECTING ROD 1935-1954 G F L12266-(M) [A]	
	NS		NON-SERVICEABLE PART CONNECTING ROD 1955-1974 G V L12266-(M) [A]	
	NS		NON-SERVICEABLE PART CONNECTING ROD 1975-1994 G X L12266-(M) [A]	
	NS		NON-SERVICEABLE PART CONNECTING ROD 1995-2014 G Y L12266-(M) [A]	
	NS		NON-SERVICEABLE PART CONNECTING ROD 2015-2034 G W L12266-(M) [A]	
	NS		NON-SERVICEABLE PART CONNECTING ROD 2035-2054 G Z L12266-(M) [A]	
	NS		NON-SERVICEABLE PART CONNECTING ROD 2055-2074 G G L12266-(M) [A]	
9	V836646204	8	CONNECTING ROD BOLT . -L12265(M)	
39	V836864141	8	CONNECTING ROD BOLT . L12266-(M) [A]	
10	V836646205	8	NUT . -L12265(M)	
11	V836646271	4	BEARING BUSH . -L12265(M)	
40	V836110646	4	BEARING BUSH . L12266-(M) [A]	STD
12	V836110552	4	BEARING SHELL SEE PAGE 01-0034	
13	V836655514	5	MAIN BEARING SEE PAGE 01-0034	
14	V836119459	2	THRUST WASHER SEE PAGE 01-0034	
15	V836119550	1	GEAR,CRANKSHAFT	
16	V836122840	1	GEAR,CRANKSHAFT	

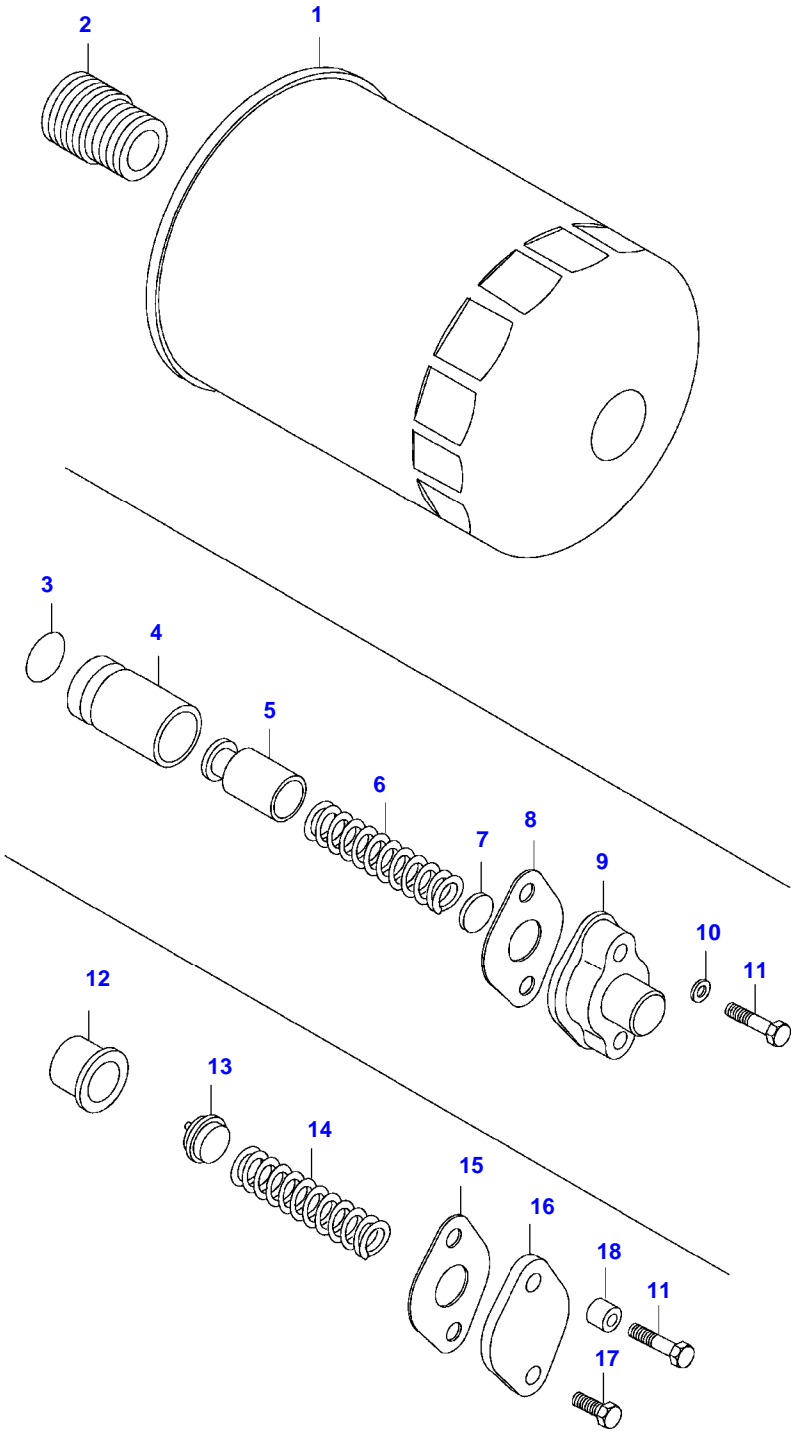
Item	Part Number	Qty	Description Comments	Technical Specification
17	V836129781	1	RING	
18	V836136271	1	SHIELD	
19	V836846463	1	CRANKSHAFT HUB	
20	V836655449	1	CRANKSHAFT V-BELT PULLEY	
	V836655534	1	CRANKSHAFT V-BELT PULLEY K14994-(M)	
21	V836647310	1	CRANKSHAFT NUT	
22	V581804600	6	HEX SOCKET SCREW	
23	V836747349	1	BALANCER -L10351(M)	
	V836766123	1	COUNTERWEIGHT L10352-(M)	
24	V616810103	2	BALL	
25	V836146879	2	SHAFT	
26	V581804200	2	HEX SOCKET SCREW	
27	V836146880	4	THRUST WASHER	
28	V836146877	1	GEAR -L10351(M)	
	V836766121	1	COUNTERWEIGHT L10352-(M)	
29	V836146876	2	BEARING BUSH	
30	V836146878	1	GEAR -L10351(M)	
	V836766122	1	COUNTERWEIGHT L10352-(M)	
31	V836146876	2	BEARING BUSH	
32	V836119920		SHIM	
33	V598359850	2	PIN	
34	V836747298	1	OIL PIPE	
35	V641016008	1	STRAIGHT FITTING	
36	V640435008	2	BANJO BOLT	
37	V581805170	4	HEX SOCKET SCREW	
				[A] V836740859 CONNECTING ROD SET L12266-(M), REF. 38, 39, 40

6200 TRACTOR (MEZZO SERIES)
SPIMG-006-21-32-



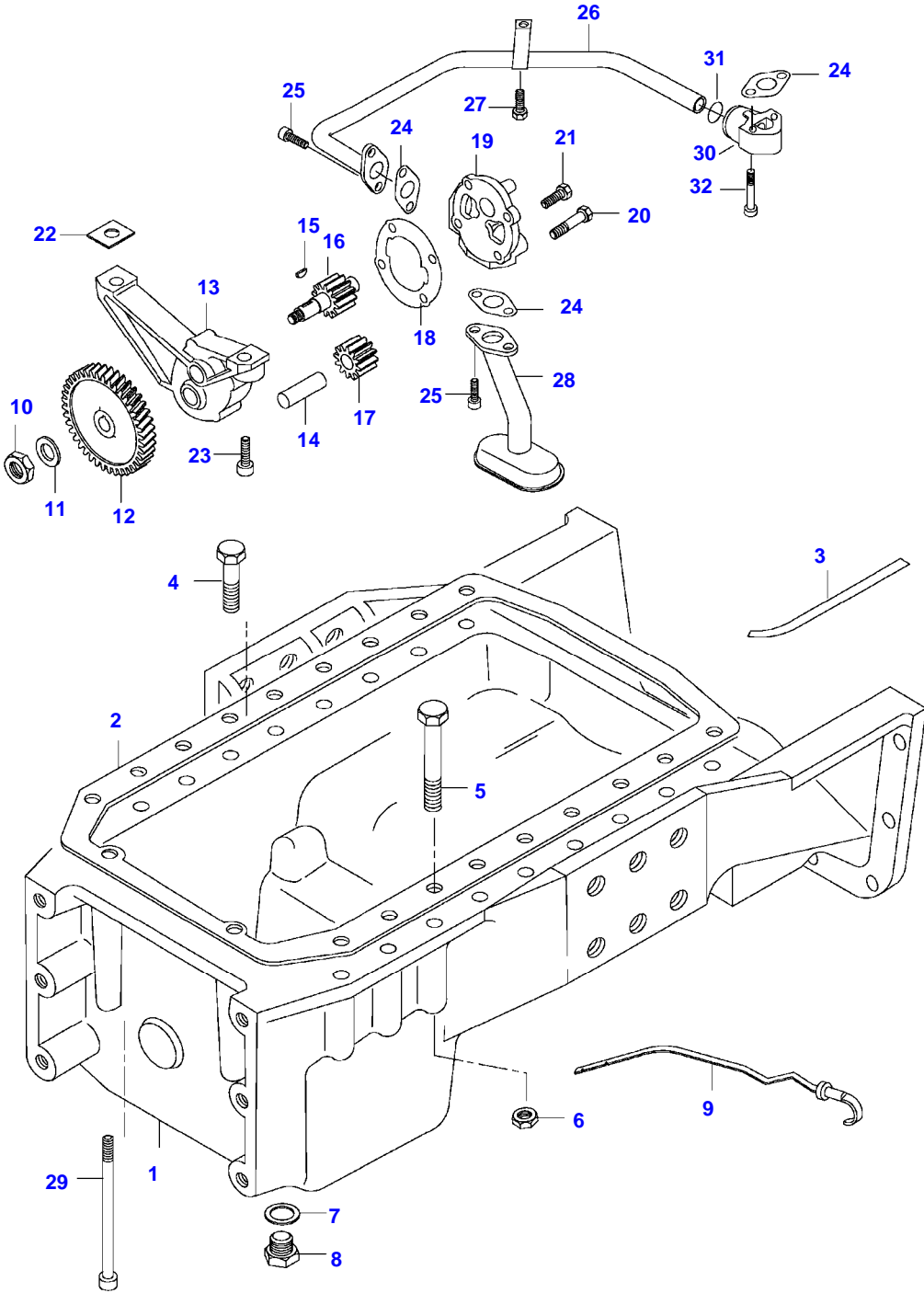
Item	Part Number	Qty	Description Comments	Technical Specification
1	V836647406	1	TIMING GEAR CASE	
	V836647865	1	TIMING GEAR CASE	
	V836666400	1	TIMING GEAR CASE N19956-S9538(M)	
	V836667947	1	TIMING GEAR CASE S9539-(M)	
2	V836647419	1	GASKET S2	
	VUK0182	1	GASKET SEALPASTE S9539-(M)	250ML
3	V528801400	11	HEX CAP SCREW	
4	V546801380	4	STUD BOLT	
5	V598359850	4	PIN	
6	V529801440	2	HEX CAP SCREW	
7	V836129709	1	SHAFT	
8	V836129863	1	IDLER GEAR	
9	V836129844	1	BEARING BUSH	
10	V836129845	1	FLANGE	
11	V528801860	1	HEX CAP SCREW	
12	V529902680	1	HEX CAP SCREW	
13	V836647572	1	GEAR HOUSING FRONT COVER	
14	V836129942	1	GASKET S2	
	VUK0182	1	GASKET SEALPASTE S9539-(M)	250ML
15	V836129782	1	COVER	
16	V614105880	1	OIL SEAL S2	
17	V640016016	1	CUP PLUG	
18	V504800800	5	NUT	
19	V528801380	3	HEX CAP SCREW	
20	V836746921	1	PIPE	
21	V836129946	1	GASKET S2	
22	V528801420	4	HEX CAP SCREW	
23	V529801500	2	HEX CAP SCREW	
24	V529801470	3	HEX CAP SCREW	
25	V836120989	1	WASHER	
26	V614604740	1	O-RING S2	
27	V836338733	1	OIL FILLER CAP	
29	V529801450	1	HEX CAP SCREW	
31	V836655512	1	BRACKET	
	V836664528	1	THROTTLE SENSOR BRACKET L8253-(M)	
32	V528801362	3	HEX CAP SCREW	
33	V836747675	1	TIMING MARK INDICATOR N19956-(M)	

6200 TRACTOR (MEZZO SERIES)
SPIMG-006-21-34



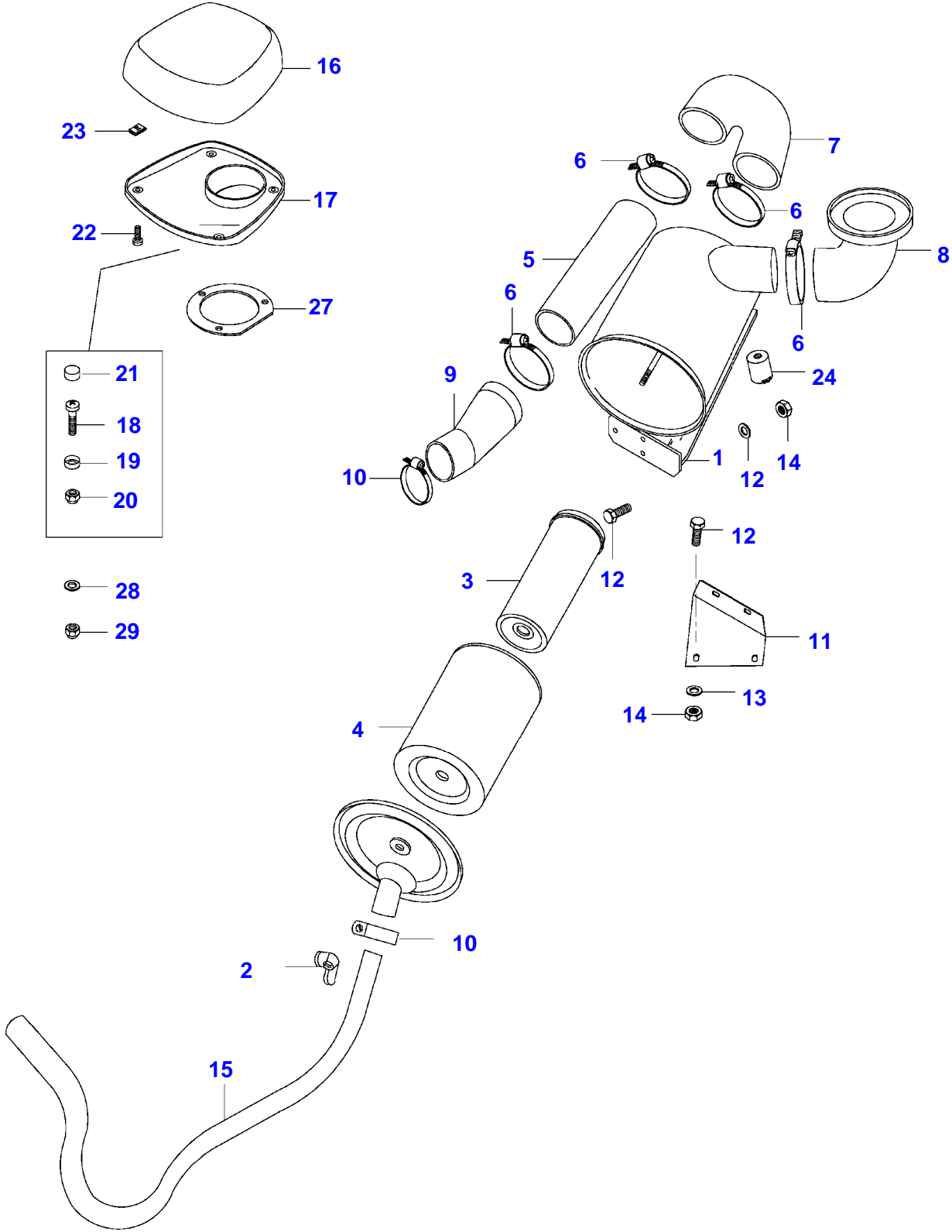
Item	Part Number	Qty	Description Comments
1	V836162572	1	ENGINE OIL FILTER
2	V836647404	1	UNION
	V835340042		OIL PRESSURE CONTROL VALVE
3	V614601524	1	O-RING
			.
			S2
4	V836117834	1	CYLINDER
			.
5	V836338850	1	OIL PRESSURE CONTROL VALVE
			.
6	V836117836	1	SPRING
			.
7	V836020290	1	INJECTOR SHIM
			.
8	V836322190	1	GASKET
			.
			S2
9	V836129849	1	COVER
10	V500950800	1	SPRING WASHER
11	V528801420	2	HEX CAP SCREW
	V836662129		OIL PRESSURE CONTROL VALVE
			J7602-(M)
12	V836659521	1	VALVE SEAT
			.
13	V836659522	1	VALVE CONE
			.
14	V836659523	1	SPRING
			.
15	V836322190	1	GASKET
			.
16	V836659524	1	COVER
			.
17	V528801380	1	HEX CAP SCREW
			.
18	V836136337	1	SPACER PIECE
			.

6200 TRACTOR (MEZZO SERIES)
SPIMG-006-21-40



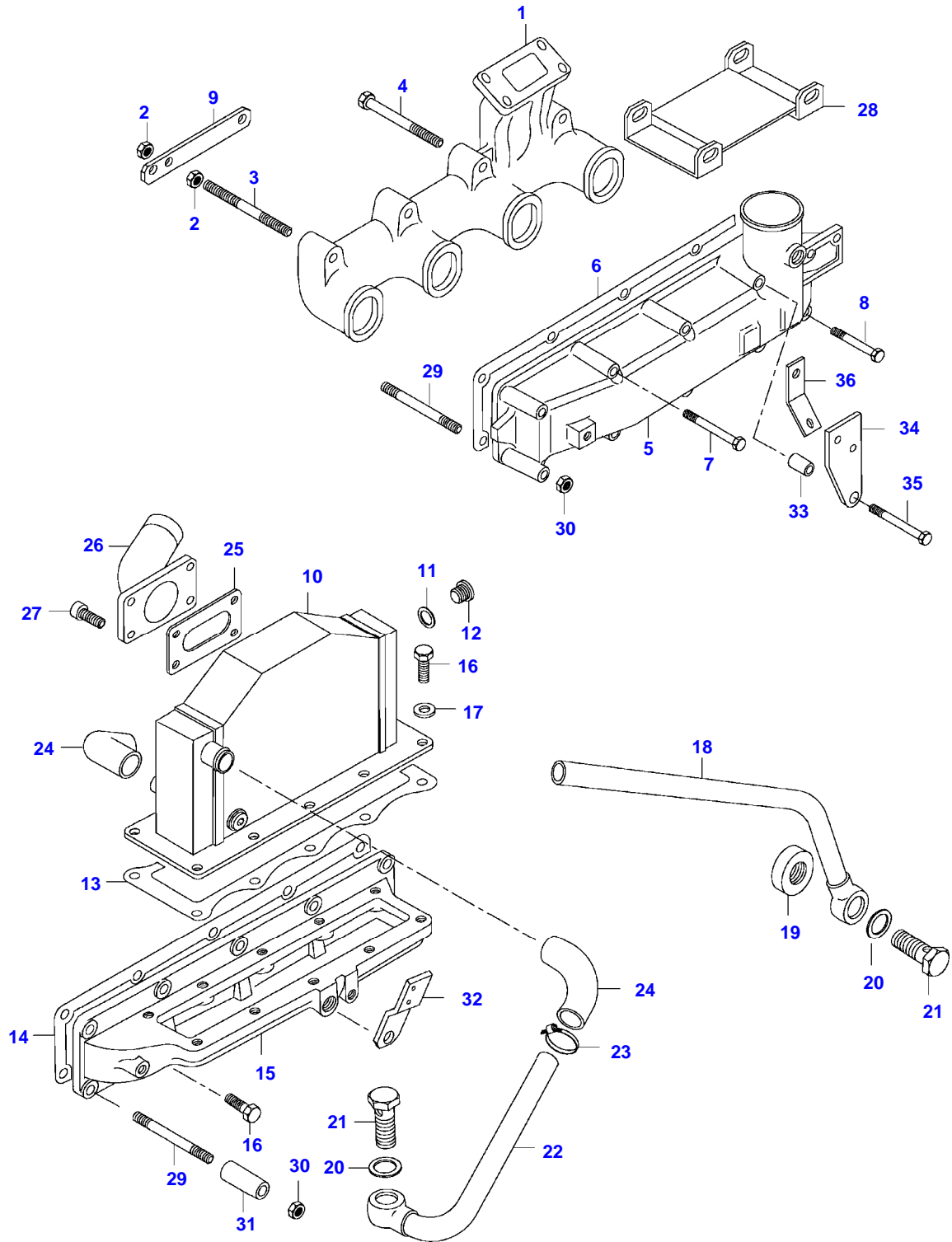
Item	Part Number	Qty	Description Comments
1	V836136014	1	OIL SUMP (V30146600)
2	V836129728	1	OIL SUMP GASKET S2
3	V836129727	2	GASKET S2
4	V529702270	11	HEX CAP SCREW
5	V529902390	7	HEX CAP SCREW
6	V504801200	18	NUT
7	V615882432	1	SEALING WASHER S2
	V615881827	1	SEALING WASHER S2
8	V836655495	1	PLUG
	V836655493	1	PLUG
9	V836129939	1	DIPSTICK -R13715(M)
	V836767743	1	DIPSTICK R13716-(M) BLUE
	V836652605	1	LUBRICATING OIL PUMP C1328-(M)
10	V504861000	1	NUT
11	V836122910	1	WASHER
12	V836338667	1	GEAR C1328-(M)
13	V836120195	1	HOUSING
14	V836120191	1	OIL PUMP SHAFT
16	V836652600	1	OIL PUMP SHAFT C1328-(M)
17	V836120193	1	GEAR
18	V836119796	1	GASKET S2
19	V836129412	1	COVER
20	V529801440	2	HEX CAP SCREW
21	V528801380	2	HEX CAP SCREW
22	V836007871		SHIM
23	V581805050	2	HEX SOCKET SCREW
24	V836008449	3	GASKET S2
25	V581804600	4	HEX SOCKET SCREW
26	V836766983	1	OIL PIPE
27	V528801760	1	HEX CAP SCREW
28	V836138033	1	AIR PIPE
29	V581704800	2	HEX SOCKET SCREW
30	V836766984	1	ADAPTER FLANGE
31	V614701830	1	O-RING
32	V581804680	2	HEX SOCKET SCREW

6200 TRACTOR (MEZZO SERIES)
SPIMG-006-21-48



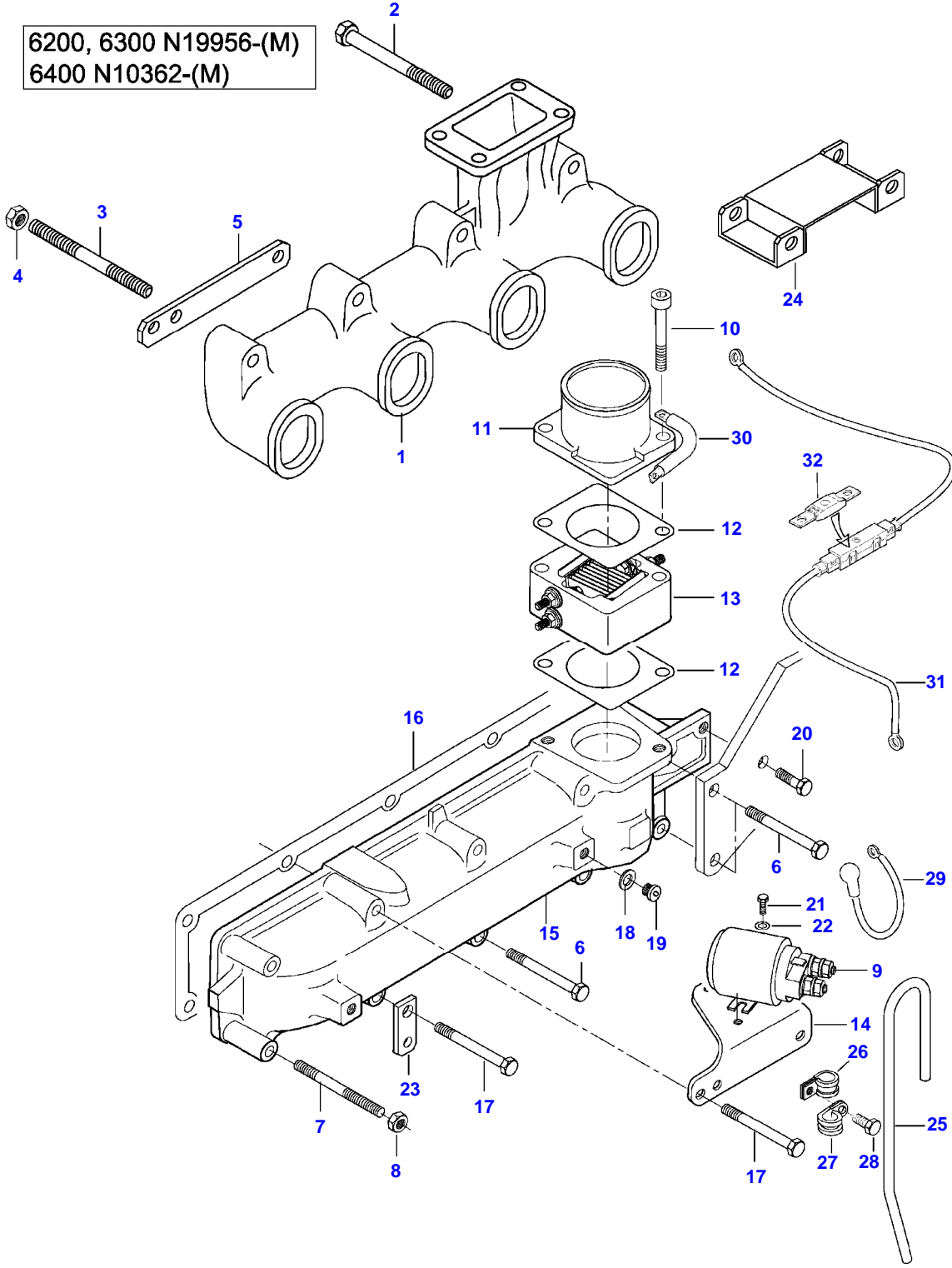
Item	Part Number	Qty	Description Comments	Technical Specification
	V33057500	1	AIR FILTER -K23222	D=225
	V33057510	1	AIR FILTER K23222-	D=225
1	NS	1	NON-SERVICEABLE PART . HOUSING	
2	VJC1610	1	BLADE NUT .	M10 DIN315 G5 ZNE
3	V836462569	1	SECONDARY AIR FILTER ELEMENT .	
4	V836462568	1	PRIMARY AIR FILTER ELEMENT .	
5	V33031600	1	TUBE	
6	VGP3933	4	HOSE CLIP	D=95 SMS2298
7	V33031900	1	CURVED RUBBER	
8	V33032100	1	CURVED RUBBER	
9	V32999400	1	TUBE	
10	VGP3919	2	HOSE CLIP	D=26-38 SMS2298
11	V32952300	1	CARRIER	
12	VHA6323	7	SCREW	M8 X 20 CL8.8
13	VJD0408	7	WASHER	M8
14	VJB8904	7	NUT	M8
15	V33032810	1	HOSE	L=1250
	V33042610	1	COVER ASSEMBLY	
16	V33051700	1	COVER .	
17	V33045910	1	BOTTOM .	
18	VHD9024	3	SCREW	M6 X 16 SFS_EN_ISO_7045 4.8
19	V32667000	3	RING WASHER .	M6
20	VJB1106	3	NUT .	M6 SFS-EN_ISO_4032
21	V32604400	4	CUP .	M6
22	VHN6646	4	SCREW .	B 4.8 X 13 SFS-ISO_7049
23	VJC9001	4	NUT .	B 4.8 SFS:EN_ISO_1478
24	V33389600	1	SENSOR	6.5 KPA
25	VJD0406	3	WASHER	6.4 X 1.6 SFS-EN_ISO_7089
27	V33052610	1	GASKET	
28	VJD0406	3	WASHER	6.4 X 1.6 SFS-EN_ISO_7089
29	VJB8903	3	LOCKNUT	M6 SFS_EN_ISO_7042

6200 TRACTOR (MEZZO SERIES)
SPIMG-006-21-58



Item	Part Number	Qty	Description Comments
			-N10361(M)
1	V836747524	1	EXHAUST MANIFOLD
3	V546801960	1	STUD BOLT
4	V529801950	7	HEX CAP SCREW
5	V836747044	1	MANIFOLD
6	V836747595	1	INTAKE MANIFOLD GASKET S1
7	V529801490	9	HEX CAP SCREW
8	V529801470	1	HEX CAP SCREW
28	V836655735	1	HEAT SHIELD
29	V546801510	1	STUD BOLT G10516-(M)
30	V504800800	1	NUT G10516-(M)
33	V836114846	1	SPACER J6780-(M)
34	V836664162	1	BRACKET J6780-(M)
35	V529801550	1	HEX CAP SCREW J6780-(M)
36	V836659276	1	SUPPORT J12341-(M)

6200 TRACTOR (MEZZO SERIES)
SPIMG-006-21-58A





Suggest:

For more complete manuals. Please go to the home page.

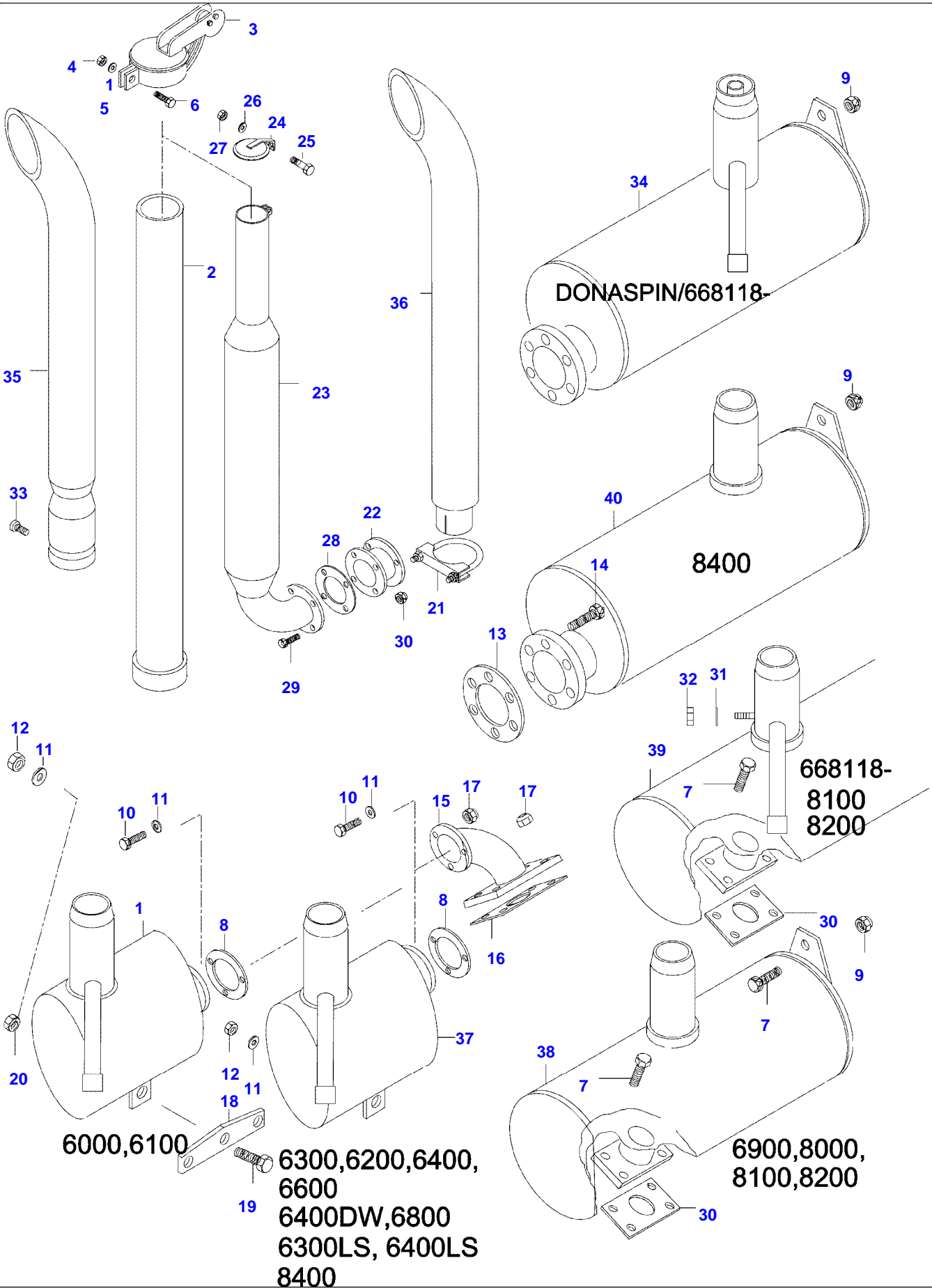
<https://www.ebooklibonline.com>

If the above button click is invalid. Please download this document first, and then click the above link to download the complete manual.

Thank you so much for reading

Item	Part Number	Qty	Description Comments
N10362-(M)			
1	V836747524	1	EXHAUST MANIFOLD
2	V529801950	5	HEX CAP SCREW
3	V546801960	3	STUD BOLT
4	V504601000	3	NUT
5	V836755027	1	RETAINING PLATE
6	V529801490	6	HEX CAP SCREW
7	V546801510	1	STUD BOLT
8	V504800800	1	NUT
9	V836666759	1	SOLENOID
10	V581805070	2	HEX SOCKET SCREW
11	V836766130	1	AIR PIPE
12	V836666074	2	GASKET S1
13	V836666073	1	INTAKE AIR PREHEATER
14	V836766752	1	BRACKET
15	V836766129	1	INTAKE MANIFOLD
16	V836747595	1	INTAKE MANIFOLD GASKET S1
17	V529801500	3	HEX CAP SCREW
18	V615881014	1	SEALING WASHER
19	V640305010	1	PLUG
20	V528801380	1	HEX CAP SCREW
21	V528800760	2	HEX CAP SCREW
22	V500150532	2	WASHER
23	V836446243	2	SUPPORT
24	V836655735	1	HEAT SHIELD
25	V836855627	1	BREATHER PIPE
26	V602060610	1	RETAINER CLAMP
27	V602060612	1	RETAINER CLAMP
28	V528801360	1	HEX CAP SCREW
29	V836866713	1	WIRE
30	V836767085	1	GROUND WIRE
31	V836766272	1	ENGINE WIRE HARNESS
32	V836662501	1	FUSE

6200 TRACTOR (MEZZO SERIES)
 SPIMG-006-21-64



<https://www.ebooklibonline.com>

Hello dear friend!

Thank you very much for reading.

Enter the link into your browser.

The full manual is available for immediate download.

<https://www.ebooklibonline.com>