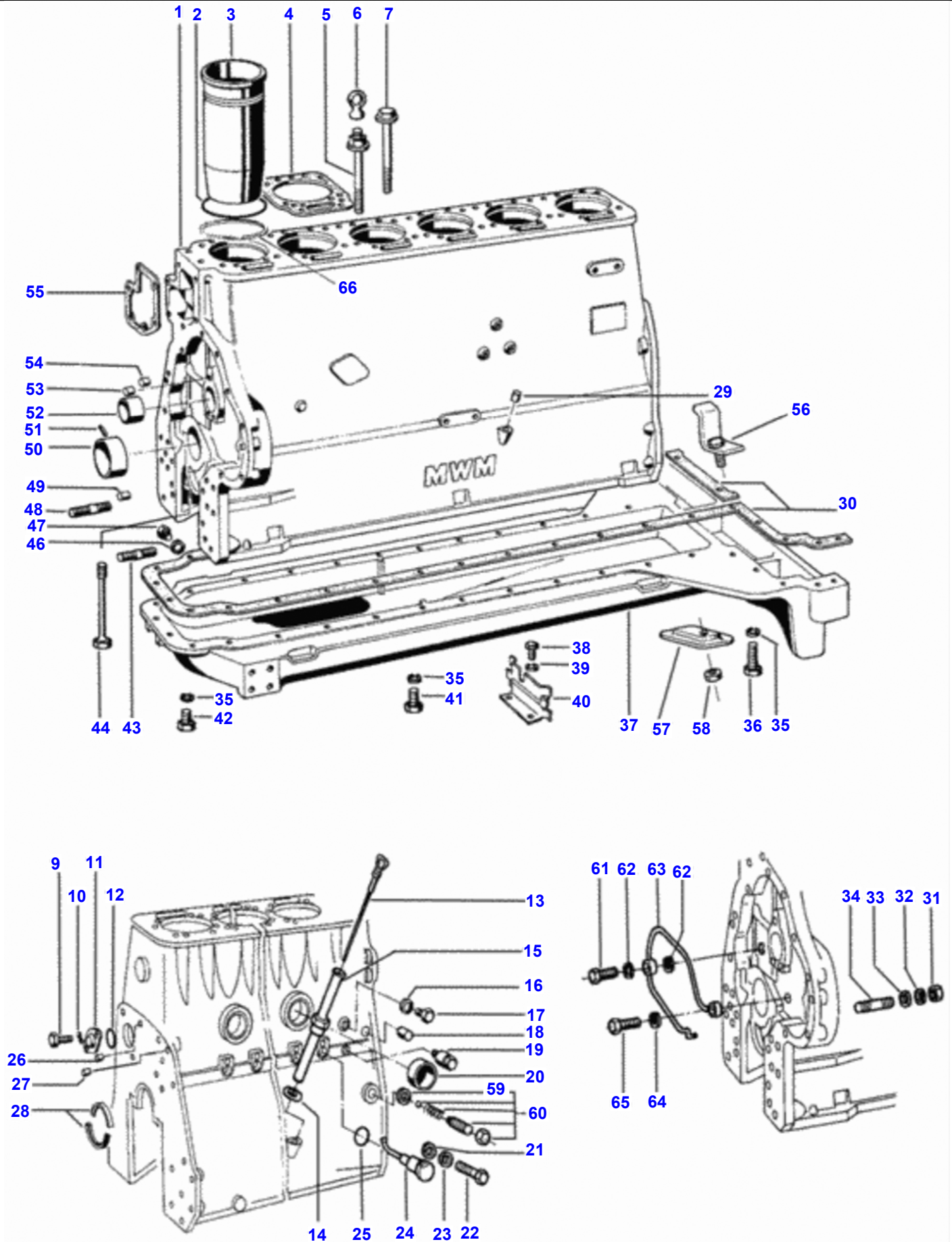


Page Title	Page Number
Cylinder Block	020-0010
Front Cover And Flywheel Housing	020-0015
Cylinder Head	020-0020
Valve Mechanism	020-0025
Crankshaft Mechanism	020-0030
Piston And Rod	020-0035
Oil Pump	020-0040
Inlet And Exhaust Manifold	020-0045
Exhaust Bend	020-0050
Muffler	020-0055
Turbocharger	020-0060
Air Filter	020-0065
Instalation Air Filter	020-0070
Sedimentation Filter	020-0075
Fuel Filter	020-0080
Fuel Pipes System	020-0085
Injection Pump	020-0090
Feed Pump	020-0095
Injector	020-0100
Lubrificant Oil Filter	020-0105
Throttle System	020-0110
Throttle System	020-0115
Radiator	020-0120
Water Pump	020-0125
Gasket Kit	020-0130
Engine Repair Kit	020-0135

Page Title	Page Number
Cylinder Block	020-0010
Front Cover And Flywheel Housing	020-0015
Cylinder Head	020-0020
Valve Mechanism	020-0025
Crankshaft Mechanism	020-0030
Piston And Rod	020-0035
Oil Pump	020-0040
Inlet And Exhaust Manifold	020-0045
Exhaust Bend	020-0050
Muffler	020-0055
Turbocharger	020-0060
Air Filter	020-0065
Instalation Air Filter	020-0070
Sedimentation Filter	020-0075
Fuel Filter	020-0080
Fuel Pipes System	020-0085
Injection Pump	020-0090
Feed Pump	020-0095
Injector	020-0100
Lubrificant Oil Filter	020-0105
Throttle System	020-0110
Throttle System	020-0115
Radiator	020-0120
Water Pump	020-0125
Gasket Kit	020-0130
Engine Repair Kit	020-0135

1580 TRACTOR (BR) - C158002
0000691



<https://www.ebooklibonline.com>

Hello dear friend!

Thank you very much for reading.

Enter the link into your browser.

The full manual is available for immediate download.

<https://www.ebooklibonline.com>

Cylinder Block

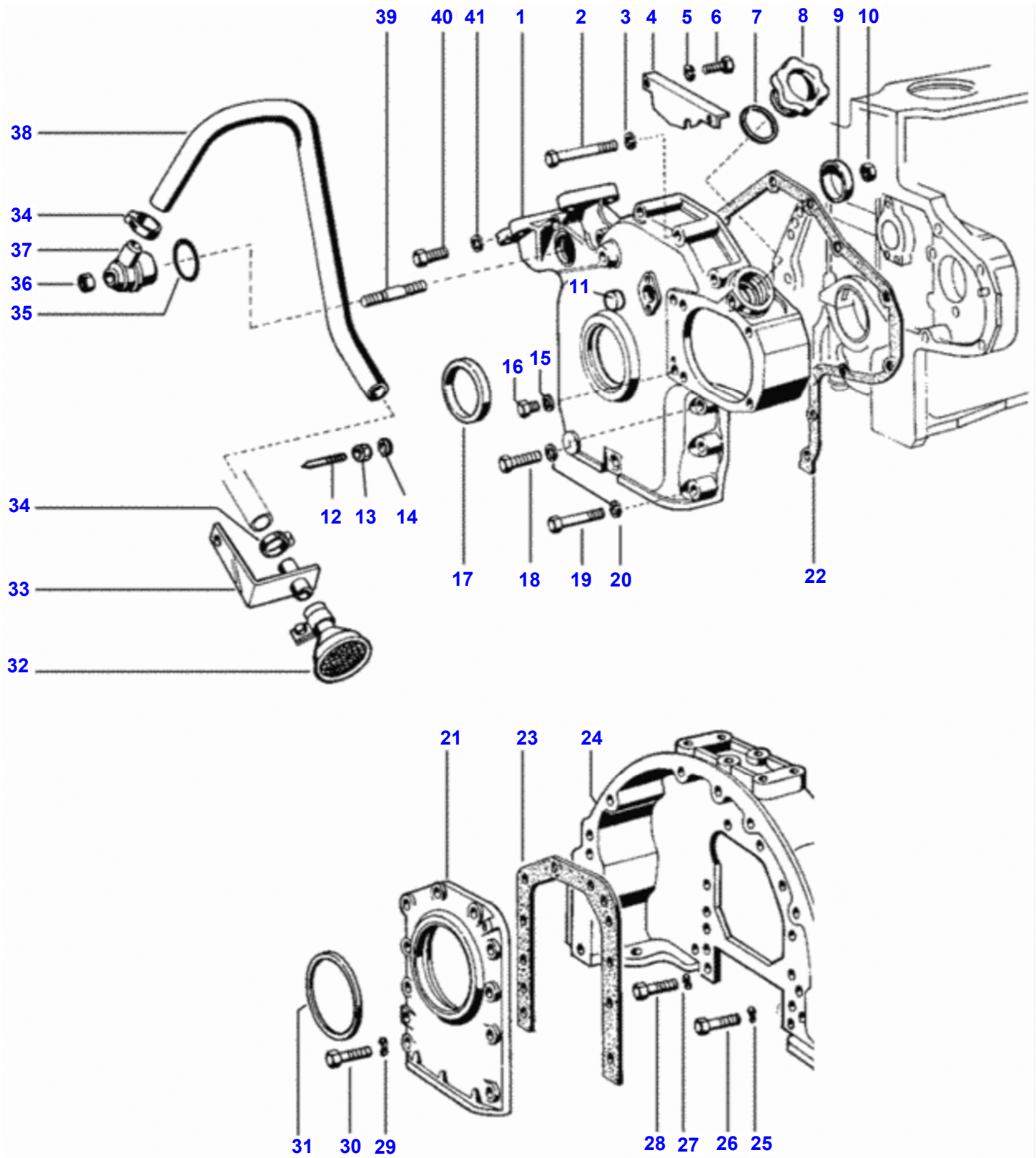
Item	Part Number	Qty	Description	Comments
1	V81217600	1	Cylinder Block	
2	V149320	12	O-Ring	
3	V135860	6	Cylinder Liner	
4	V143810	6	Cylinder	
5	V111000	2	Cylinder	
6	V111140	2	Lift Ring	
7	V110990	22	Bolt	
9	V117190	2	Bolt M8X35Mm	
10	V116890	2	Washer	
11	V146530	1	Seal Cover	
12	V117710	1	O-Ring	
13	V135870	1	Dipstick	
14	V132650	2	Seal Washer	
15	V82605700	1	Pipe	
16	V116310	1	Collet	
17	V148730	1	Plug 3/8-18 Npsf	
18	V141340	11	Pad	
19	V135900	1	Relief Valve	
20	V111450	3	Seal Cover	
21	V135910	6	Washer	
22	VHA6322	6	Screw	
23	VJD3108	6	Washer	
24	V135920	6	Oil Injector	
25	V135930	6	O-Ring	
26	V142740	2	Guide Pin	
27	V142730	2	Guide Pin	
28	V135940	2	Stop Ring	
	V135950	2	Thrust	
29	V141350	2	Seal Cover	
30	V115710	1	Gasket Sump	
31	VJB1110	4	Nut	
32	V116950	4	Tooth Washer	
33	V116940	4	Washer	
34	V116810	4	Dog	
35	VJD3108	39	Washer	
36	V120700	3	Bolt	
37	V117740	1	Sump	
38	V117760	2	Bolt	
39	VJD3108	2	Washer	
40	V115660	1	Balance Plate	
41	V117100	30	Bolt	
42	V117770	6	Bolt	
43	V111360	2	Dog	
44	V110990	14	Bolt	
46	V81288900	1	Seal Washer	
47	V81288800	1	Sump Plug	
48	V115720	4	Dog	
49	V142730	2	Guide Pin	
50	V135960	7	Big-End	
	V136000	7	4Th	
	V135970	7	1St	
	V135980	7	2Nd	
	V135990	7	3Rd	
51	V111030	7	Pressure Pin	
52	V110980	4	Bush	
53	V142360	3	Seal Pin	14mm
54	V142370	2	Pad	16mm
55	V111120	1	Gasket	
56	V195810	1	Bracket	
57	V229600	1	Cover	
58	VJB1106	1	Washer	
59	V135530	1	Seal Washer	
60	V142410	1	Dust Valve	
61	V80962900	1	Banjo Bolt	
62	V132600	2	Seal Washer	1580
63	V82601700	1	Lubricant Tube	1580
64	V141710	1	Seal Washer	
65	V117640	1	Bolt	

Cylinder Block

Item	Part Number	Qty	Description	Comments
66	V143930	1	Shim 0.05Mm	[A]
	V143940	1	Shim 0.10 Mm	[A]
	V143950	1	Shim 0.15 Mm	[A]
	V143960	1	Shim 0.20 Mm	[A]

FOOTNOTE [A] ACCORDING TO NECESSITY

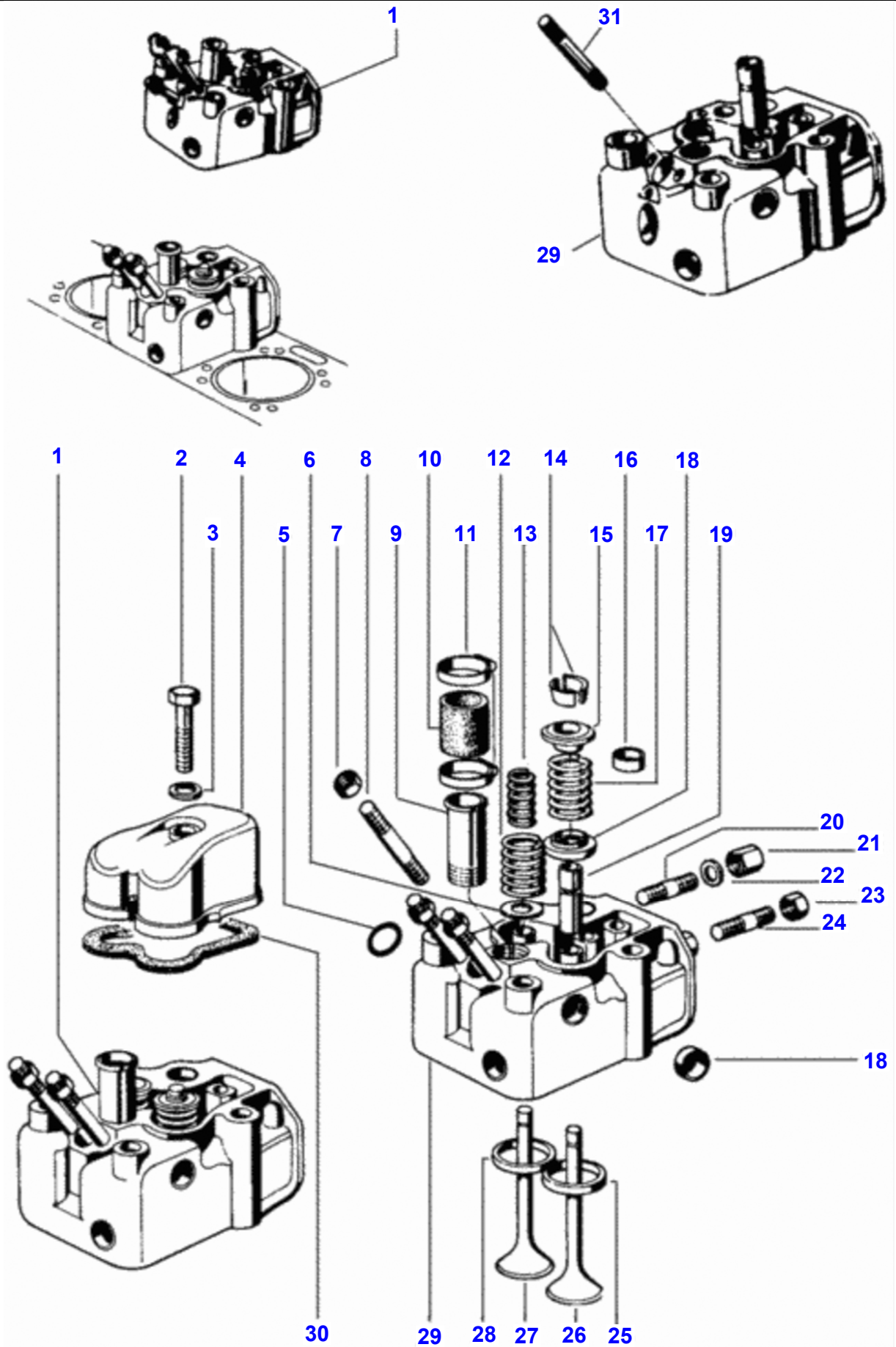
1580 TRACTOR (BR) - C158002
00000693



Front Cover And Flywheel Housing

Item	Part Number	Qty	Description
1	V133800	1	Front Cover
2	V117120	5	Bolt
3	VJD3108	5	Washer
4	V136010	1	Baffle Plate
5	V117570	2	Washer
6	V125240	2	Bolt
7	V117000	1	O-Ring
8	V116990	1	Filler Cap
9	V111600	1	Protector Plate
10	V111630	1	Nut
11	V110970	1	Seal Cover
12	V80974000	1	T.D.C. Indicator
13	VJB1108	2	Nut
14	VJD3108	2	Washer
15	V141710	1	Seal Washer
16	V111500	1	Bolt
17	V111560	1	Seal
18	V111660	3	Bolt
19	V117090	4	Bolt
20	VJD3108	7	Washer
21	V111510	1	Rear Cover
22	V111640	1	Gasket
23	V111530	1	Gasket
24	V148750	1	Flywheel Housing
25	V117030	12	Washer
26	V118470	12	Bolt
27	V117050	6	Spring Washer
28	V149150	6	Bolt
29	V116890	10	Washer
30	V117190	10	Bolt M8X35Mm
31	V111520	1	Seal
32	V136020	1	Breather Filter
33	V136040	1	Bracket
34	VGP3918	2	Clamp
35	V111340	1	O-Ring
36	V111630	1	Nut
37	V136050	1	Breather Cover
38	V136070	1	Hose
39	V111590	1	Dog
40	V117100	1	Bolt
41	VJD3108	2	Washer

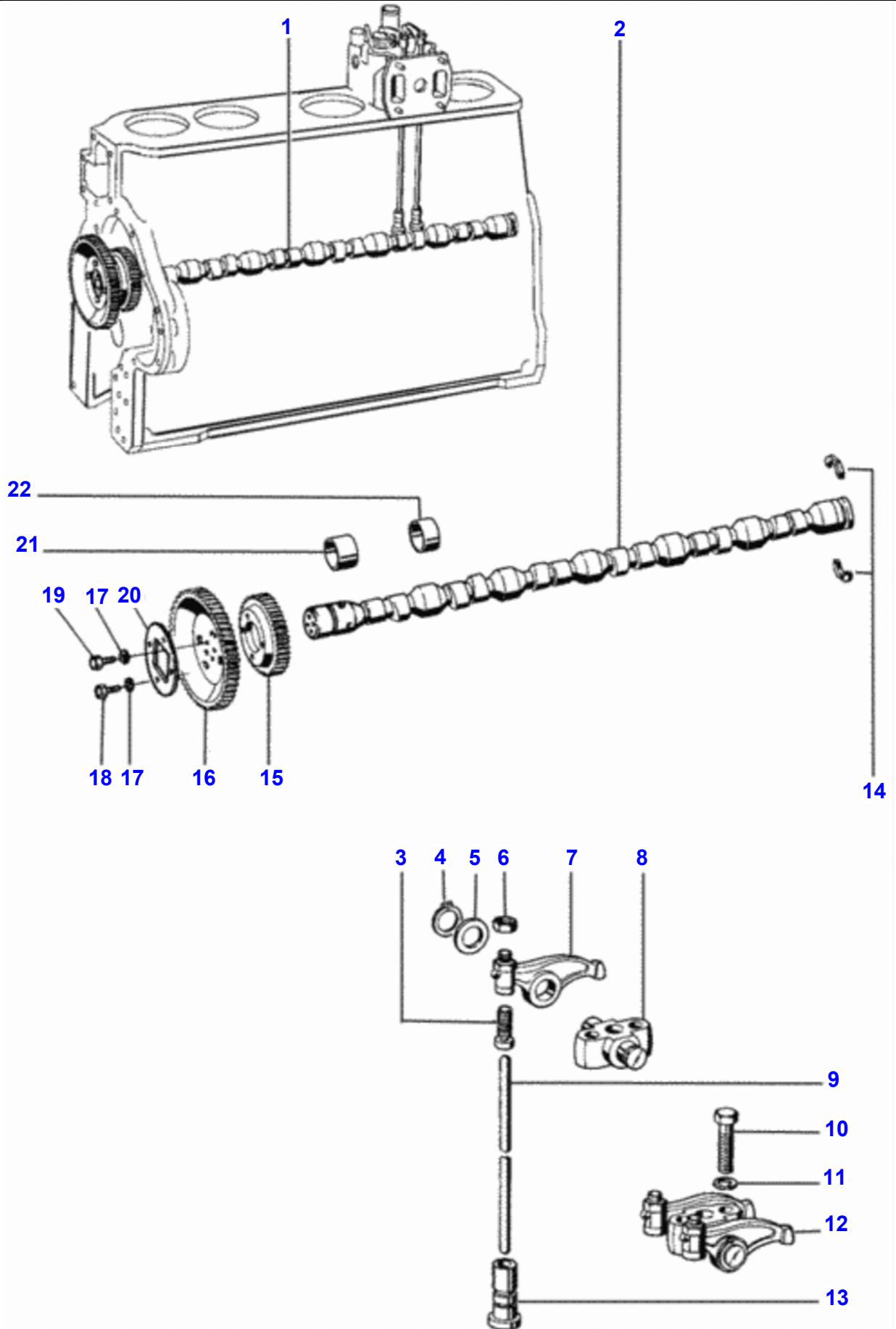
1580 TRACTOR (BR) - C158002
0000694



Cylinder Head

Item	Part Number	Qty	Description
1	V81216300	6	Complete
2	V121390	6	Bolt
3	V112620	6	Seal Washer
4	V149330	6	Valve Cover
5	V117300	6	O-Ring
6	V136320	6	Lower Disc
7	VJB1108	12	Nut
8	V142270	12	Dog
9	V112550	6	Pipe
10	V112570	6	Hose
11	VGP3918	12	Clamp
12	V136330	6	Outer Spring
13	V136340	6	Inner Spring
14	V116030	24	Valve Cotter
15	V112450	12	Upper Disc
16	V112480	30	Seal Cover
17	V116020	12	Valve Spring
18	V81348000	6	Specil
19	V117330	12	Valve Guide Std
	V81291200	12	Valve
20	V136360	12	Dog
21	V136370	12	Nut
22	V116080	12	Washer
23	V133670	12	Nut
24	V116810	6	Dog
25	V80963400	6	Intake
26	V136400	6	Intake Valve
27	V136411	6	Exhaust Vale
28	V80963500	6	Exhaust
29	V81216300	6	Complete
30	V149340	6	Gasket
31	V140090	12	Dog

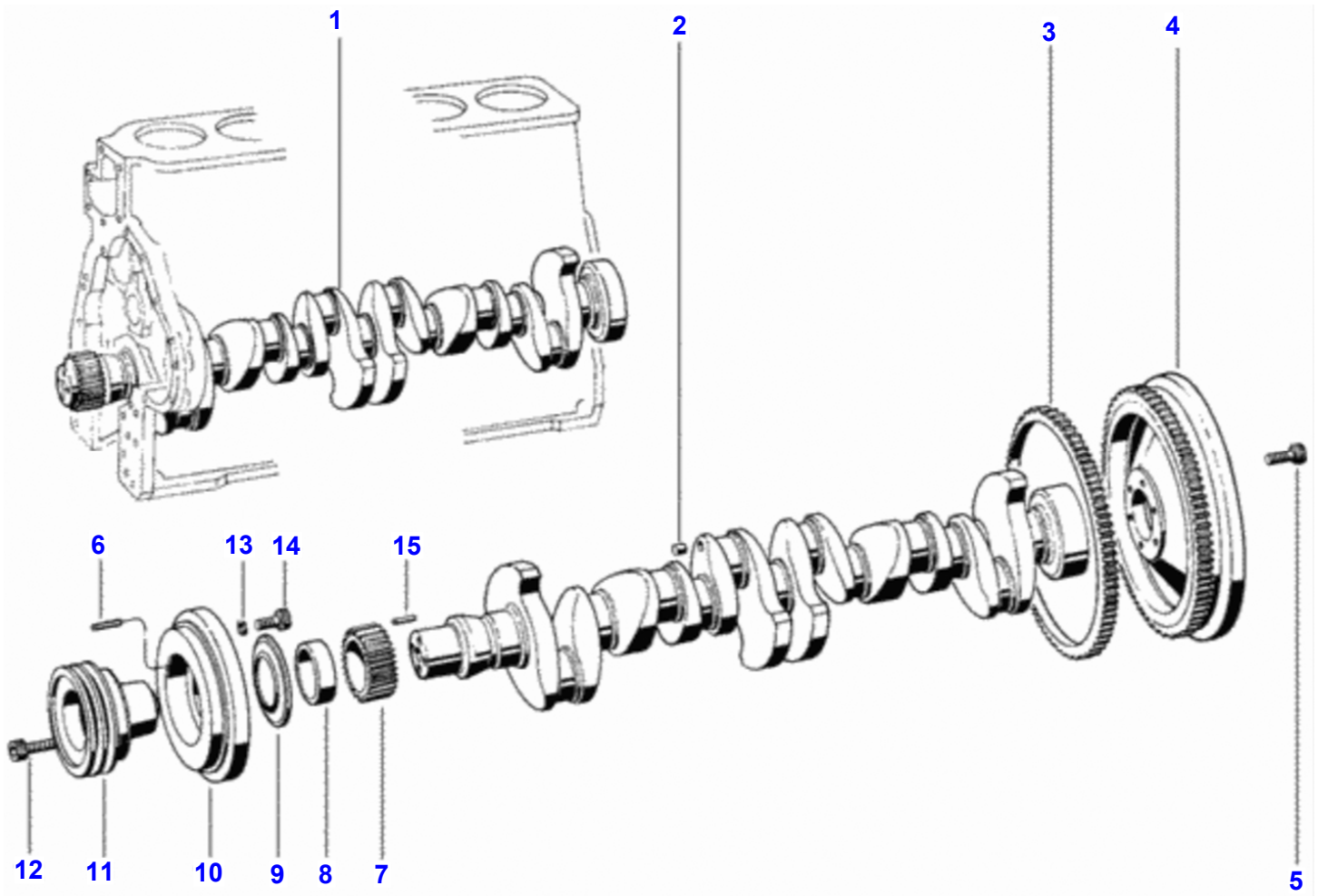
1580 TRACTOR (BR) - C158002
0000695



Valve Mechanism

Item	Part Number	Qty	Description
1	V80974400	1	Complete
2	V80974500	1	Valve
3	V112170	12	Adjusting Screw
4	V112190	12	Circlip
5	V112180	12	Rocker
6	VJB1108	12	Nut
7	V149370	12	Assy Rocker Arm
8	V149350	6	Rocker
9	V112201	12	Push Rod
10	V117150	12	Bolt
11	VJD3110	12	Pressure Washer
12	V149360	6	Complete
13	V112210	12	Rocker
14	V115950	1	Setting Ring
15	V112000	1	Gear
16	V111990	1	Gear
17	VJD3108	8	Washer
18	V117190	4	Bolt M8X35Mm
19	V80974600	4	Bolt
20	V112020	1	Lock
21	V112120	2	Bushing
22	V112130	5	Bushing

1580 TRACTOR (BR) - C158002
0000697



Crankshaft Mechanism

Item	Part Number	Qty	Description	Comments
1	V81364400	1	Complete	
2	V142390	6	Pad	
3	V222340	1	Flywheel	
4	V81267100	1	Flywheel	[A]
	V80876100	1	Flywheel	
5	V81214700	6	Bolt	
6	V118680	1	Key	
7	V136130	1	Gear	
8	V136140	1	Pulley Bushing	
9	V136150	1	Dust Deflector	
10	V80974200	1	Vibration Damper	
11	V149660	1	Pulley	
12	V136180	4	Bolt	
13	VJD3110	6	Pressure Washer	
14	V136190	6	Bolt	
15	V118680	1	Key	

FOOTNOTE [A] FOR DOUBLE CLUTCH



Suggest:

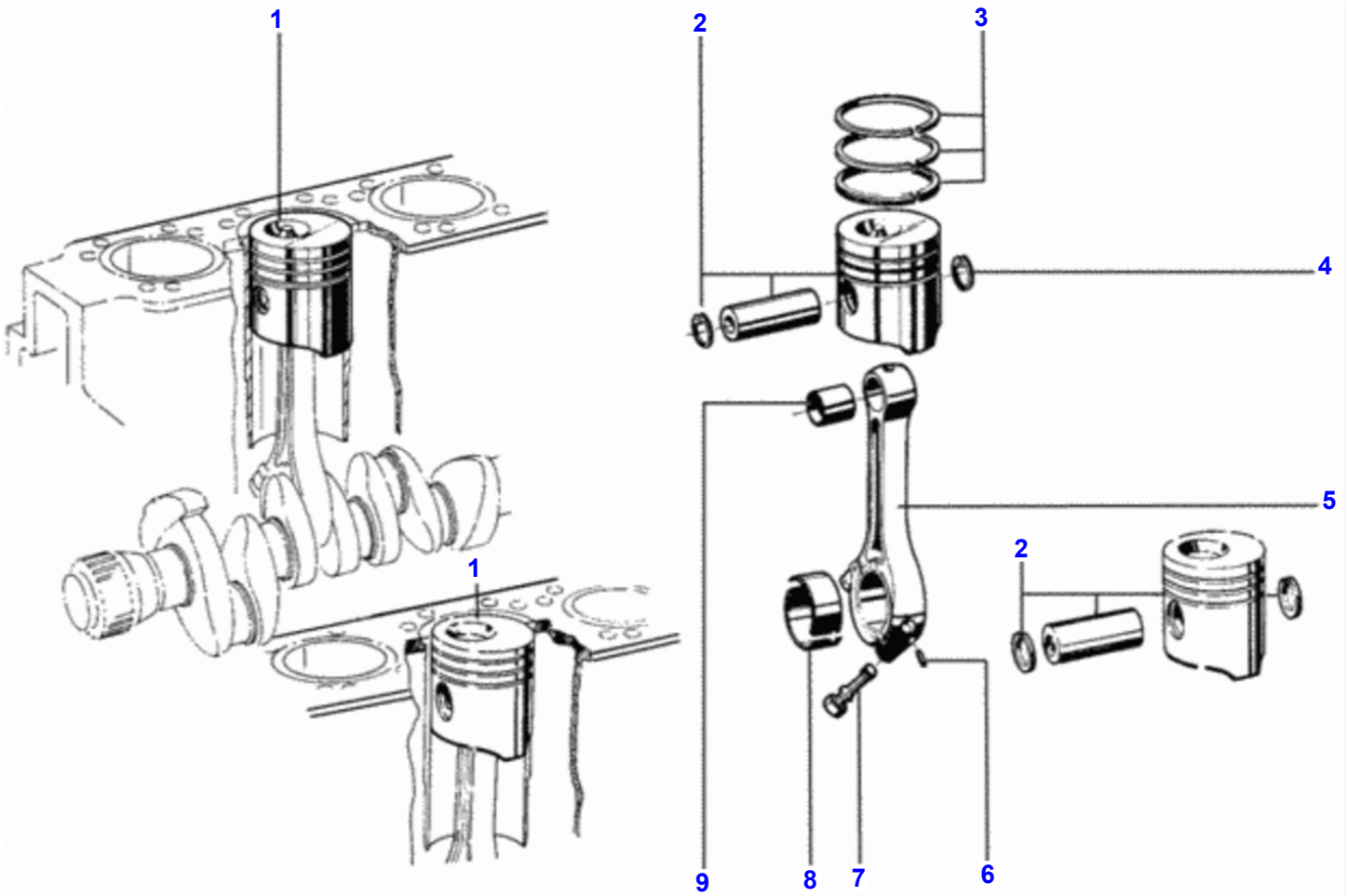
For more complete manuals. Please go to the home page.

<https://www.ebooklibonline.com>

If the above button click is invalid. Please download this document first, and then click the above link to download the complete manual.

Thank you so much for reading

1580 TRACTOR (BR) - C158002
0000698



Piston And Rod

Item	Part Number	Qty	Description	Comments
1	V81140700	6	Assy Piston	Ref. 2,3,4
2	V81140800	6	Piston	
3	V145370	6	Piston Ring Set	
4	V136230	12	Circlip	
5	V136240	6	Connecting Rod	
6	V116000	6	Pressure Pin	
7	V112300	12	Bolt	
8	V136280	6	3Rd	
	V136270	6	2Nd	
	V136260	6	Big-End	
	V136250	6	Big-End	
	V136290	6	4Th	
9	V136300	6	Bush	

<https://www.ebooklibonline.com>

Hello dear friend!

Thank you very much for reading.

Enter the link into your browser.

The full manual is available for immediate download.

<https://www.ebooklibonline.com>