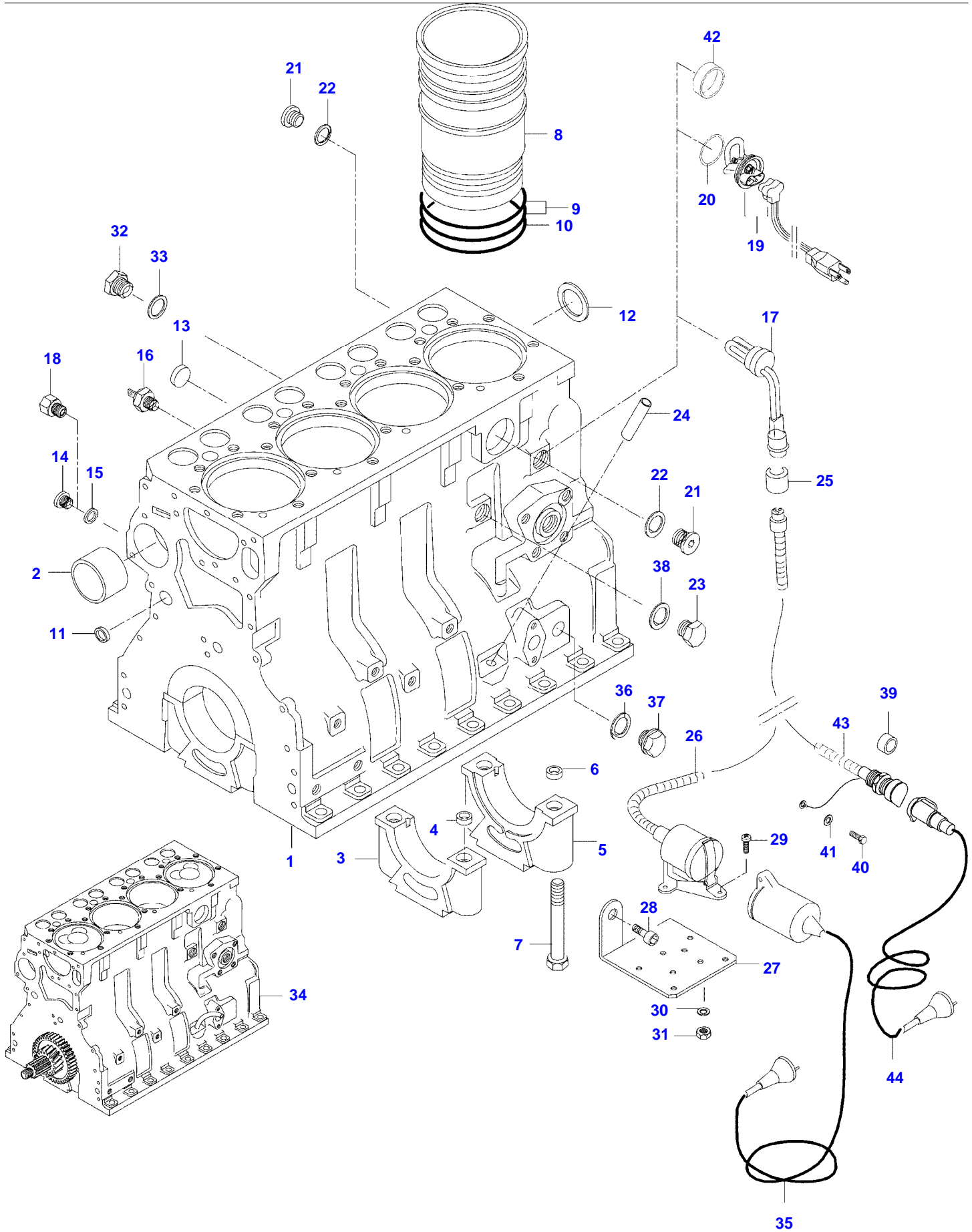


<b>Page Number</b>	<b>Page Title</b>	<b>Page Reference</b>
01-000-TOC	ENGINE, FUEL AND EXHAUST SYSTEM	01-000-TOC
02-000-TOC	AXLES	02-000-TOC
03-000-TOC	STEERING SYSTEM	03-000-TOC
04-000-TOC	DRIVE TRAIN SYSTEM	04-000-TOC
05-000-TOC	BRAKE SYSTEM	05-000-TOC
06-000-TOC	COMPRESSED AIR SYSTEM	06-000-TOC
07-000-TOC	HYDRAULIC SYSTEM	07-000-TOC
08-000-TOC	ELECTRICAL SYSTEM	08-000-TOC
09-000-TOC	CAB	09-000-TOC
10-000-TOC	AIR CONDITIONING AND HEATING SYSTEM	10-000-TOC
11-000-TOC	CHASSIS	11-000-TOC
12-000-TOC	DECALS	12-000-TOC
13-000-TOC	WHEELS	13-000-TOC
14-000-TOC	IMPLEMENT DRIVE SYSTEM	14-000-TOC
15-000-TOC	IMPLEMENT LIFT SYSTEM FRONT	15-000-TOC
16-000-TOC	IMPLEMENT LIFT SYSTEM REAR	16-000-TOC
17-000-TOC	ATTACHMENTS	17-000-TOC
18-000-TOC	GENERAL INFORMATION	18-000-TOC

Page Number	Page Title	Page Reference
01-0001	CYLINDERBLOCK	21-04
01-0002	FLYWHEEL AND HOUSING	21-06
01-0003	CYLINDER HEAD	21-10
01-0004	VALVE MECHANISM	21-14
01-0005	CRANK MECHANISM	21-18
01-0006	GEAR HOUSING	21-20
01-0007	OIL SUMP	21-24
01-0008	OIL FILTER	21-26
01-0009	AIR CLEANER	21-28
01-0010	TURBO-CHARGER	21-32
01-0011	INTAKE- AND EXHAUST PIPE	21-36
01-0012	MUFFLER	21-42
01-0013	FEED PUMP	22-04
01-0014	FUEL FILTER	22-08
01-0015	FUEL FILTER	22-08A
01-0016	PREFILTER, FUEL	22-10
01-0017	PREFILTER, FUEL	22-10A
01-0018	FUEL PIPES	22-12
01-0019	FUEL PIPES	22-12A
01-0020	INJECTION PUMP	22-16
01-0021	INJECTION PUMP VALTRA DO BRASIL	22-16A
01-0022	INJECTOR, DISTRIBUTOR PUMP	22-18
01-0023	SPEED LEVERS	22-20
01-0024	SPEED LEVERS VALTRA DO BRASIL	22-20A
01-0025	SPEED LEVERS, FOREST	22-22
01-0026	RADIATOR	23-02
01-0027	COOLANT PUMP -J17504(M)	23-04
01-0028	COOLANT PUMP	23-04A
01-0029	COOLANT PUMP J17505-(M) J10179(M)-J10187(M) J10191(M)-J10193(M) J12660(M)-J12671(M) J16187(M) J16726(M) J16747(M) J16751(M)	23-06
01-0030	STARTERMOTOR -J6773(M)	31-02
01-0031	STARTERMOTOR J6774-(M)	31-02A
01-0032	STARTERMOTOR	31-02B
01-0033	ALTERNATOR -J6773(M)	31-04
01-0034	ALTERNATOR J6774-(M)	31-04A
01-0035	ENGINE REPAIR KIT AND BEARINGS	28-10

900 TRACTOR (600-900 SERIES)  
SPIMG-004-21-04



**<https://www.ebooklibonline.com>**

Hello dear friend!

Thank you very much for reading.

Enter the link into your browser.

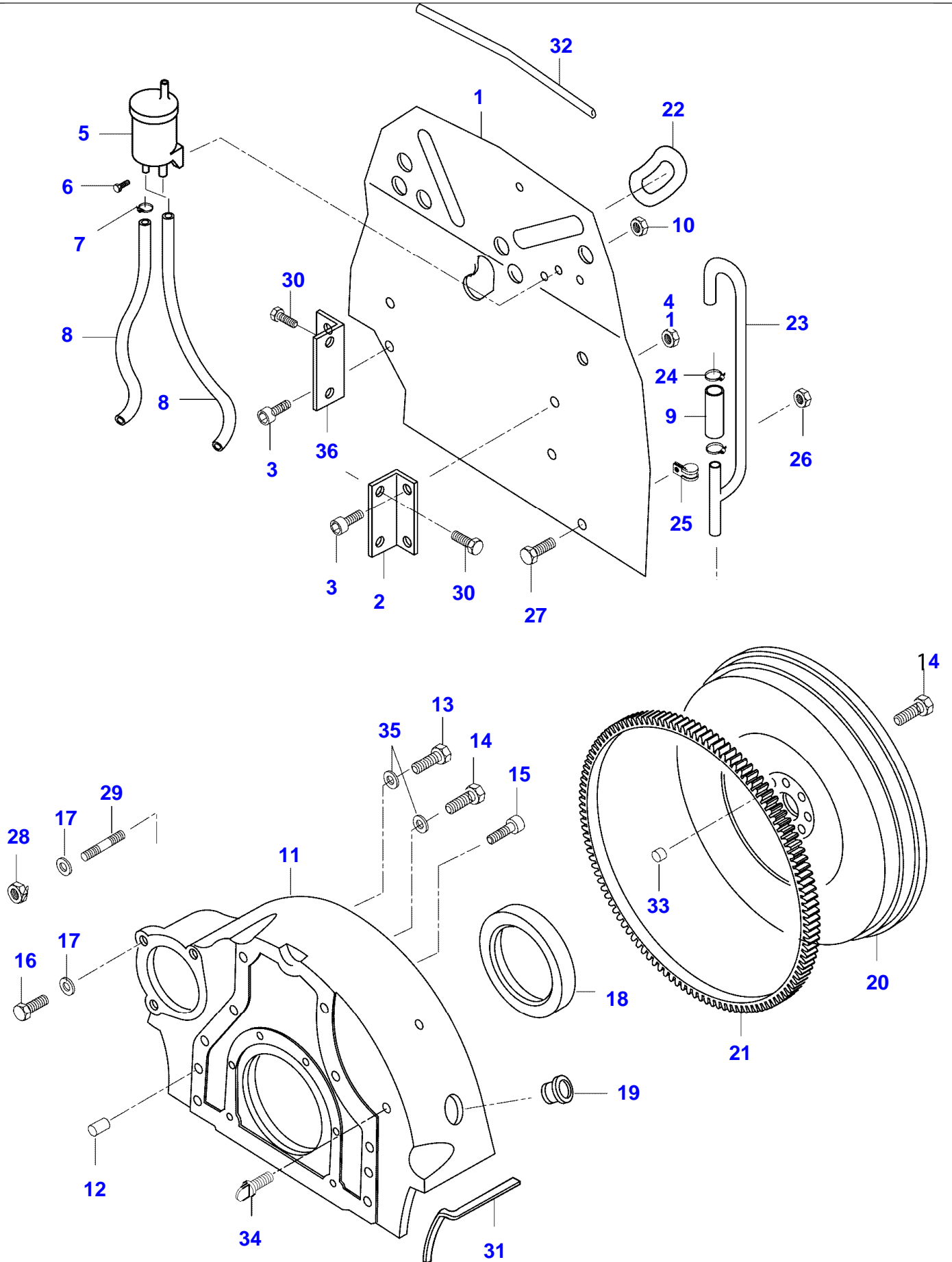
The full manual is available for immediate download.

**<https://www.ebooklibonline.com>**

Item	Part Number	Qty	Description Comments	Technical Specification
1	V836747170	1	CYLINDER-BLOCK	
2	V836322610	1	CAMSHAFT BEARING BUSHING	
3	NS	4	NON-SERVICEABLE PART	
4	V836214478	8	BEARING COVER GUIDE SLEEVE	
5	NS	1	NON-SERVICEABLE PART	
6	V836214478	2	BEARING COVER GUIDE SLEEVE	
7	V835329030	10	HEX CAP SCREW	
8	V836647420	4	LINER	FLANGE HEIGHT + 0.05 MM
	V836647933		LINER FLANGE S=9.08	
	V836647934		LINER FLANGE S=9.13	FLANGE HEIGHT + 0.10 MM
	V836647935		LINER FLANGE S=9.23	FLANGE HEIGHT + 0.15 MM
9	V836647502	8	CYLINDER LINER O-RING S2	
10	V836647503	4	CYLINDER LINER O-RING S2	
11	V640016016	4	CUP PLUG	
12	V836529872	1	PLUG	
13	V640016018	1	CUP PLUG	
14	V640325110	2	SCREW PLUG	
15	V615571014	2	SEALING WASHER S2	
16	V887283760	1	PRESSURE SWITCH	
17	V836647622	1	ENGINE BLOCK HEATER 750W	
18	V836655736	1	UNION	
19	V836640935	1	ENGINE BLOCK HEATER 600W 120V CANADA	
20	V836640999	1	O-RING  CANADA	
21	V640325018	2	PLUG	
22	V615881822	2	SEALING WASHER	
23	V836019756	1	PLUG	
24	V836014334	1	OIL DIPSTICK GUIDE PIPE	
25	V33550000	1	ROD CLAMP	
26	V836130361	1	CABLE L=500 -1999	
43	V33733700	1	CABLE MINI	L=1500
27	V836655927	1	BRACKET	
28	V581805800	2	HEX SOCKET SCREW	
29	V572502582	3	SCREW	
30	V503050432	2	WASHER	
31	V504600402	3	NUT	
32	V836119079	1	PLUG	
33	V615881620	1	SEALING WASHER S2	
34	V862640001	1	REMANUFACTURED SHORT BLOCK ENGINE	
35	V725930	1	WIRE -1999	L=5000

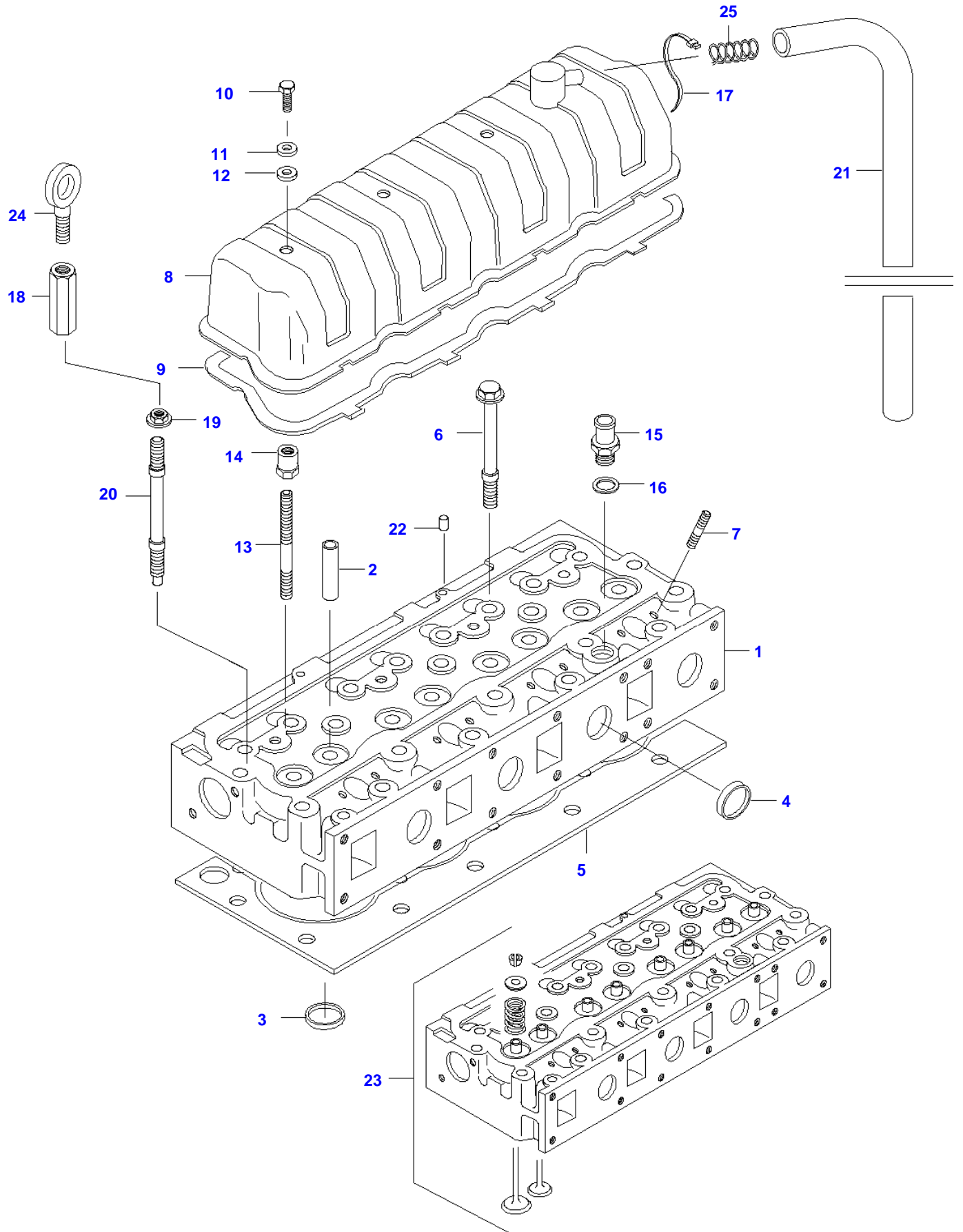
Item	Part Number	Qty	Description Comments	Technical Specification
	V63978300	1	CONNECTING WIRE DENMARK -1999	L=5000
	V725932	1	WIRE FRANCE -1999	L=5000
44	V33733800	1	WIRE MINI	L=5000
	V33733900	1	WIRE DENMARK MINI	L=5000
	V33734000	1	WIRE FRANCE MINI	L=5000
36	V615881216	1	SEALING WASHER S2	
37	V640305012	1	PLUG	
38	V615881824	1	SEALING WASHER S2	
39	V33734100	1	SLEEVE BUSHING	
40	VHN6816	1	SCREW	B 4.2 X 30 SFS-ISO_7049
41	VJD9019	2	WASHER	A 4.3 X 0.5 DIN6798
42	V640016040	1	CUP PLUG	
	V836740280	1	ENGINE GASKET KIT S1	
	V836740333	1	ENGINE GASKET KIT S1+S2	

900 TRACTOR (600-900 SERIES)  
SPIMG-004-21-06



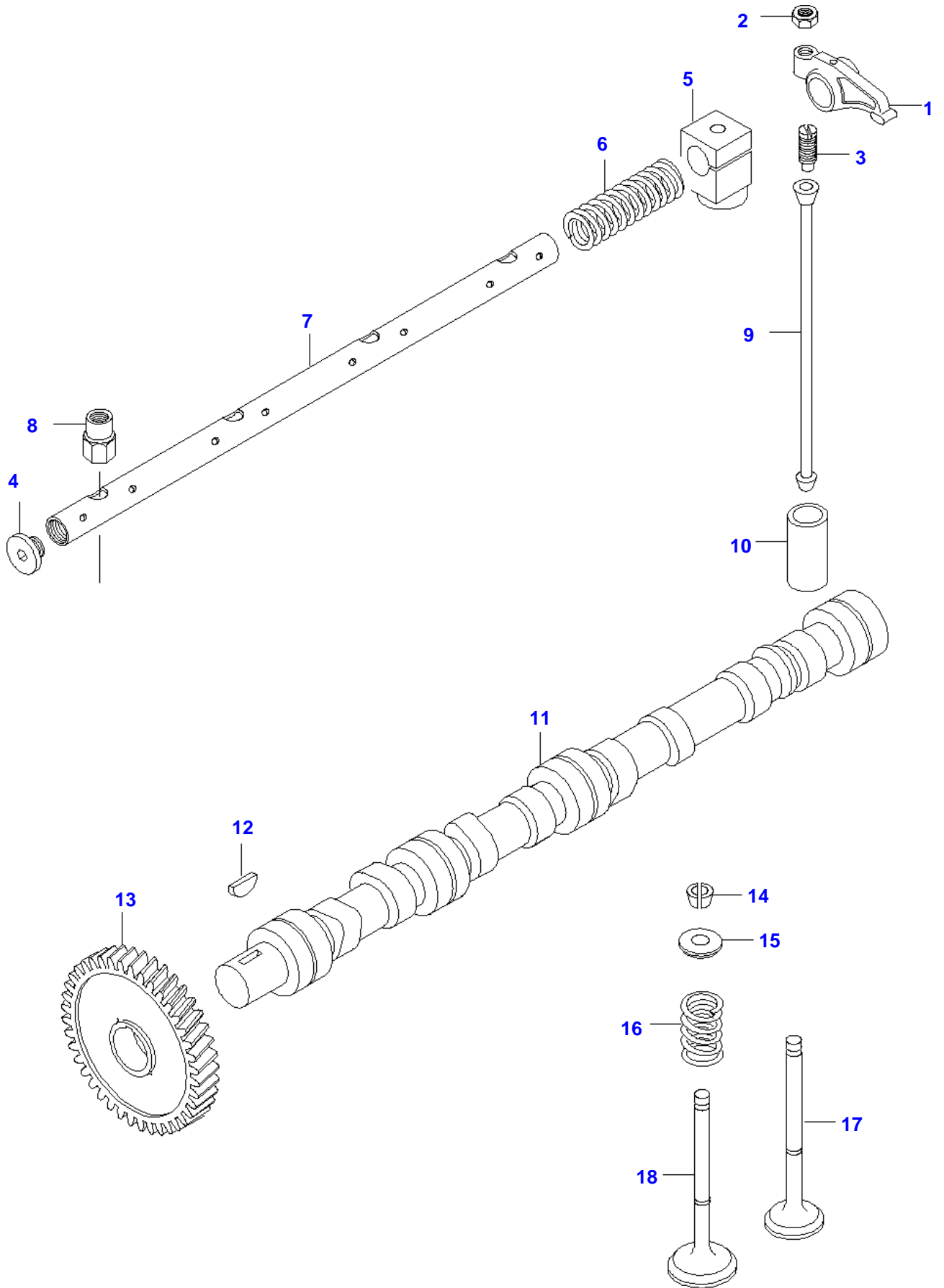
Item	Part Number	Qty	Description Comments	Technical Specification
1	V836759277	1	BACKPLATE	
2	V836659279	1	BRACKET LEFT	
36	V836659278	2	BRACKET RIGHT	
3	V581804582	4	HEX SOCKET SCREW	
4	V504800800	4	NUT	
5	V835324375	1	RESERVOIR SEE PAGE 01-0011	
6	V528800762	2	HEX CAP SCREW	
7	V602066609	4	HOSE CLIP	
8	V836136702	2	RUBBER HOSE L=160 -J10181(M)	
	V836655792	2	RUBBER HOSE L=320 J10182-(M)	
9	V835328356	1	RUBBER HOSE L=40	
10	V510600502	2	NUT	
11	V836752443	1	FLYWHEEL HOUSING	
12	V598359850	2	PIN	
13	V581705440	2	HEX SOCKET SCREW	
14	V528702220	14	HEX CAP SCREW	
15	V581705030	6	HEX SOCKET SCREW	
16	V528801800	3	HEX CAP SCREW	
17	V500951000	3	SPRING WASHER	
18	V614500002	1	CRANKSHAFT SEAL S2	
19	V836428065	1	RUBBER PLUG D=38	
	V836007572	1	RUBBER PLUG D=25	
20	V836538043	1	FLYWHEEL	
21	V836014127	1	ANNULAR GEAR	
22	V836647731	1	GASKET -H4421(M)	
23	V836759585	1	PIPE SEE PAGE 01-0011	
24	V602066612	2	HOSE CLIP	
25	V602074610	2	HOSE CLIP	
26	V504600502	2	NUT	
27	V528800802	2	HEX CAP SCREW	
28	V504601000	3	NUT	
29	V546801800	3	STUD BOLT	
30	V528801760	2	HEX CAP SCREW	
31	V31085600	1	GASKET LEFT	
	V31085500	1	GASKET RIGHT	
32	V30229000	1	GASKET	L=1200MM
33	V836659527	1	GUIDE SLEEVE	
34	V836859311	1	PLUG	
35	V500951200	8	SPRING WASHER	

900 TRACTOR (600-900 SERIES)  
SPIMG-004-21-10



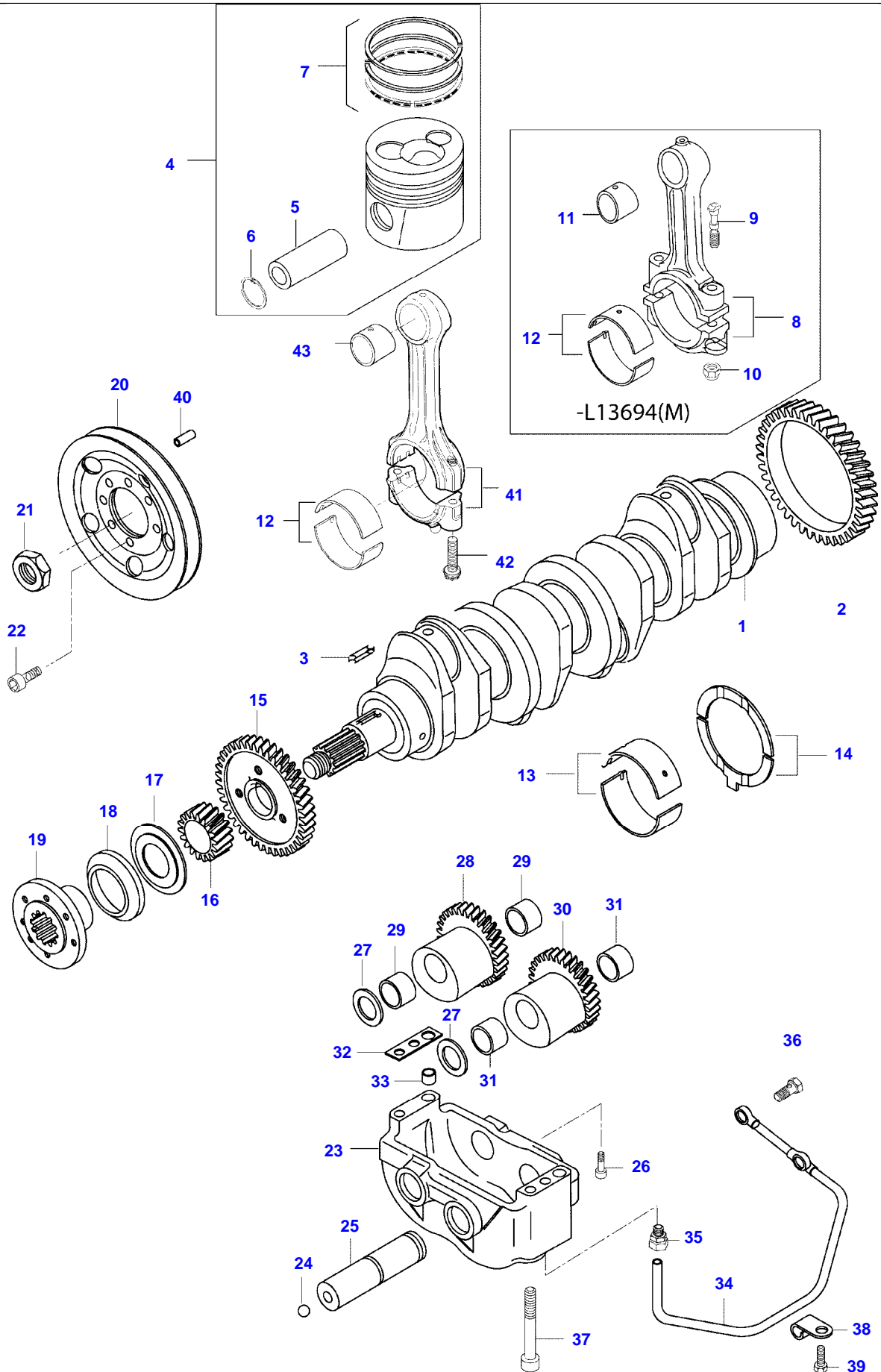
Item	Part Number	Qty	Description Comments
1	V836755383	1	CYLINDER
2	V836647601	8	GUIDE
3	V836647600	4	VALVE SEAT
4	V836647942	7	CUP PLUG
5	V836764156	1	CYLINDER HEAD GASKET S1
6	V836859104	20	HEXAGON FLANGE BOLT -K3333(M)
	V836859104	21	HEXAGON FLANGE BOLT K3334-(M)
7	V546901435	8	STUD BOLT
8	V836746361	1	VALVE ROCKER COVER
9	V836746362	1	VALVE ROCKER COVER GASKET S1
10	V528801780	4	HEX CAP SCREW
	VHA9089	4	SCREW VALTRA DO BRASIL
11	V836119855	4	WASHER
12	V836012841	4	RUBBER BUSHING S1
13	V846801900	4	STUD BOLT
14	V836655406	4	SLEEVE NUT
15	V836119837	1	HOSE COUPLER
16	V615881822	1	SEALING WASHER S1
17	V835329746	1	CABLE TIE
18	V836647835	1	LIFTING EYE EXTENSION
19	V836859110	2	NUT -K3333(M)
	V836859110	1	NUT K3334-(M)
20	V836859109	2	STUD BOLT -K3334(M)
	V836859109	1	STUD BOLT K3334-(M)
21	V836647814	1	RUBBER HOSE
22	V595959140	2	PIN
23	V836740854	1	CYLINDER HEAD
24	V836640252	1	LIFT EYE
25	V836659103	1	SPRING

900 TRACTOR (600-900 SERIES)  
SPIMG-004-21-14



Item	Part Number	Qty	Description Comments
	V836666611	1	ROCKER SHAFT
1	V836666608	8	ROCKER ARM
			.
2	V512861000	8	NUT
			..
3	V836655866	8	ADJUSTING SCREW
			..
4	V836655899	2	PLUG
			.
5	V836655869	4	BRACKET
			.
	V836666609	4	BRACKET
			.
			M5020-(M)
6	V836655884	3	SPRING
			.
7	V836755871	1	SHAFT
			.
8	V836655406	4	SLEEVE NUT
9	V836655867	8	PUSHROD
10	V836014264	8	TAPPET
11	V836746375	1	CAMSHAFT
12	V603305760	1	WOODRUFF KEY
13	V836646389	1	GEAR,CAMSHAFT
14	V836646382	16	COTTER
15	V836646381	15	WASHER
16	V836646380	8	SPRING
17	V836646357	4	EXHAUST VALVE
18	V836646356	4	INTAKE VALVE

900 TRACTOR (600-900 SERIES)  
SPIMG-004-21-18

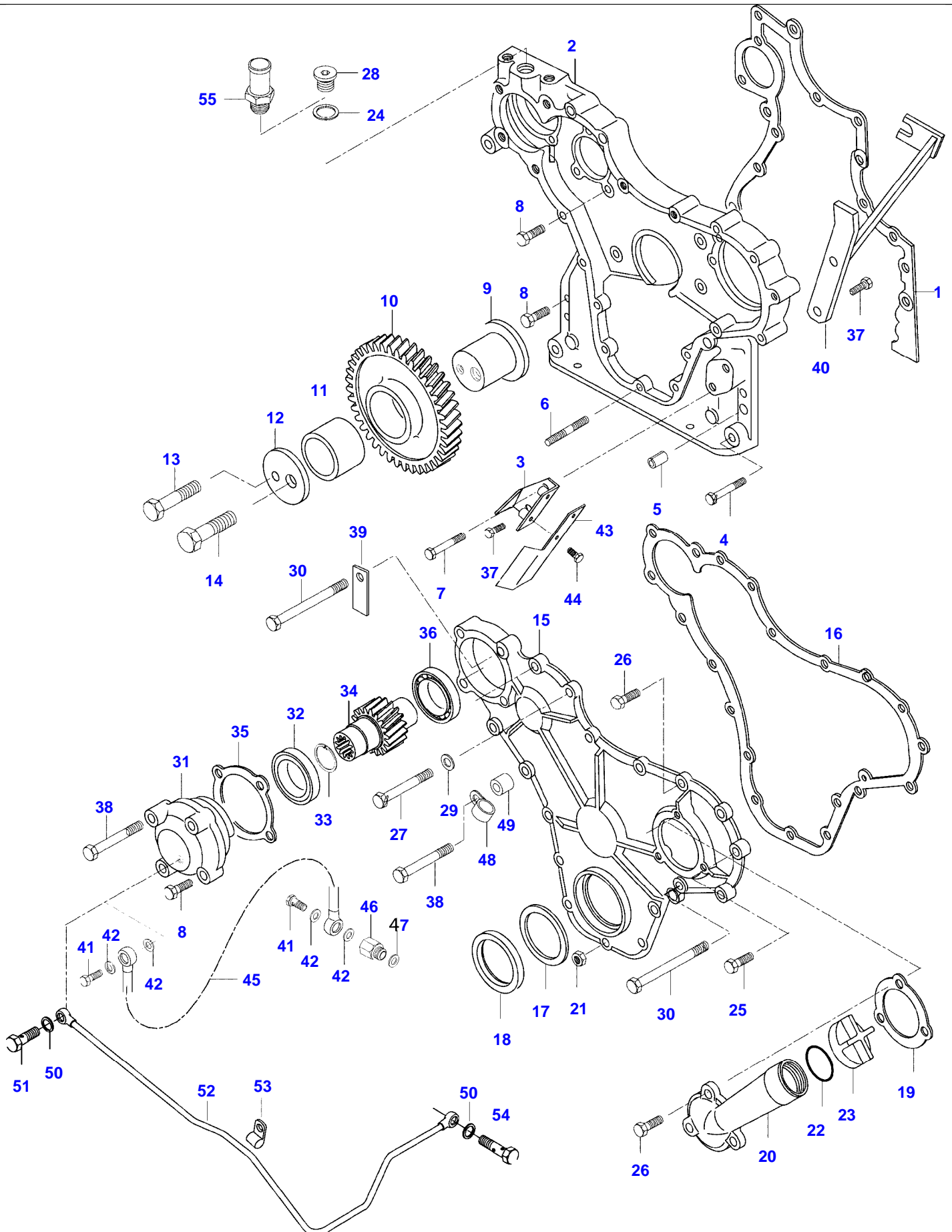


Item	Part Number	Qty	Description Comments	Technical Specification
1	V836752303	1	CRANKSHAFT	
2	V836124524	1	GEAR	
3	V603345110	1	KEY	
4	V836655269	4	KIT, PISTON	
5	NS	4	NON-SERVICEABLE PART	
6	NS	8	PISTON PIN NON-SERVICEABLE PART	
7	V836640126	4	CIRCLIP PISTON RING KIT	
8	V836740859	1	CONNECTING ROD KIT	
	V82659800	1	CONNECTING ROD KIT VALTRA DO BRASIL UNITED STATES OF AMERICA	
	V836647460	4	CONROD 2150-2169 G X -L13694(M)	
	V836652104	4	CONROD 2170-2189 G A -L13694(M)	
	V836652105		CONROD 2190-2209 G B -L13694(M)	
	V836652106		CONROD 2210-2229 G C -L13694(M)	
	V836652107		CONROD 2230-2249 G D -L13694(M)	
	V836652108		CONROD 2250-2269 G E -L13694(M)	
	V836652109		CONROD 2270-2289 G H -L13694(M)	
	V836652110		CONROD 2290-2309 G I -L13694(M)	
	V836652111		CONROD 2310-2329 G J -L13694(M)	
	V836652112		CONROD 2330-2349 G K -L13694(M)	
	V836652113		CONROD 2350-2369 G L -L13694(M)	
	V836652114		CONROD 2370-2389 G M -L13694(M)	
	V836652115		CONROD 2390-2409 G N -L13694(M)	
	V836652116		CONROD 2410-2429 G O -L13694(M)	
	V836652117		CONROD 2430-2449 G P -L13694(M)	
	V836652118		CONROD 2450-2469 G R -L13694(M)	

Item	Part Number	Qty	Description Comments	Technical Specification
	V836652119		CONROD 2470-2489 G S -L13694(M)	
	V836652120		CONROD 2490-2509 G T -L13694(M)	
	V836652121		CONROD 2510-2529 G U -L13694(M)	
41	NS		NON-SERVICEABLE PART CONNECTING ROD 1935-1954 G F L13695-(M)	
	NS		NON-SERVICEABLE PART CONNECTING ROD 1955-1974 G V L13695-(M)	
	NS		NON-SERVICEABLE PART CONNECTING ROD 1975-1994 G X L13695-(M)	
	NS		NON-SERVICEABLE PART CONNECTING ROD 1995-2014 G Y L13695-(M)	
	NS		NON-SERVICEABLE PART CONNECTING ROD 2015-2034 G W L13695-(M)	
	NS		NON-SERVICEABLE PART CONNECTING ROD 2035-2054 G Z L13695-(M)	
	NS		NON-SERVICEABLE PART CONNECTING ROD 2055-2074 G G L13695-(M)	
9	V836646204	8	CONNECTING ROD BOLT . -L13694(M)	
42	V836864141	8	CONNECTING ROD BOLT . L13695-(M)	
10	V836646205	8	NUT . -L13694(M)	
11	V836646271	4	BEARING BUSH . -L13694(M)	
43	V836110646	4	BEARING BUSH . L13695-(M)	STD
12	V836110552	4	BEARING SHELL	
13	V836655514	5	MAIN BEARING	
14	V836119459	2	THRUST WASHER	
15	V836119550	1	GEAR,CRANKSHAFT	
16	V836122840	1	GEAR,CRANKSHAFT	
17	V836129781	1	RING	
18	V836136271	1	SHIELD	
19	V836846463	1	CRANKSHAFT HUB	
20	V836655449	1	CRANKSHAFT V-BELT PULLEY	
21	V836647310	1	CRANKSHAFT NUT	
22	V581804600	6	HEX SOCKET SCREW	
23	V836747349	1	BALANCER -L10351(M)	

Item	Part Number	Qty	Description Comments	Technical Specification
	V836766123	1	COUNTERWEIGHT L10352-(M)	
24	V616810103	2	BALL	
25	V836146879	2	SHAFT	
26	V581804200	2	HEX SOCKET SCREW	
27	V836146880	4	THRUST WASHER	
28	V836146877	1	GEAR	
	V836766121	1	COUNTERWEIGHT -L10351(M)	
29	V836146876	2	BEARING BUSH L10352-(M)	
30	V836146878	1	GEAR	
	V836766122	1	COUNTERWEIGHT -L10351(M)	
31	V836146876	2	BEARING BUSH L10352-(M)	
32	V836119920		SHIM	
33	V598359850	2	PIN	
34	V836747478	1	OIL PIPE	
35	V641016008	1	STRAIGHT FITTING	
36	V640435008	2	BANJO BOLT	
37	V581805170	4	HEX SOCKET SCREW	
38	V602071608	1	RETAINER CLAMP	
39	V528801062	1	HEX CAP SCREW	
	VHA6313	1	SCREW	M6 X 16 ISO 8.8
			VALTRA DO BRASIL	
40	V595953360	1	PIN	
	V595959140	1	PIN	
			VALTRA DO BRASIL	

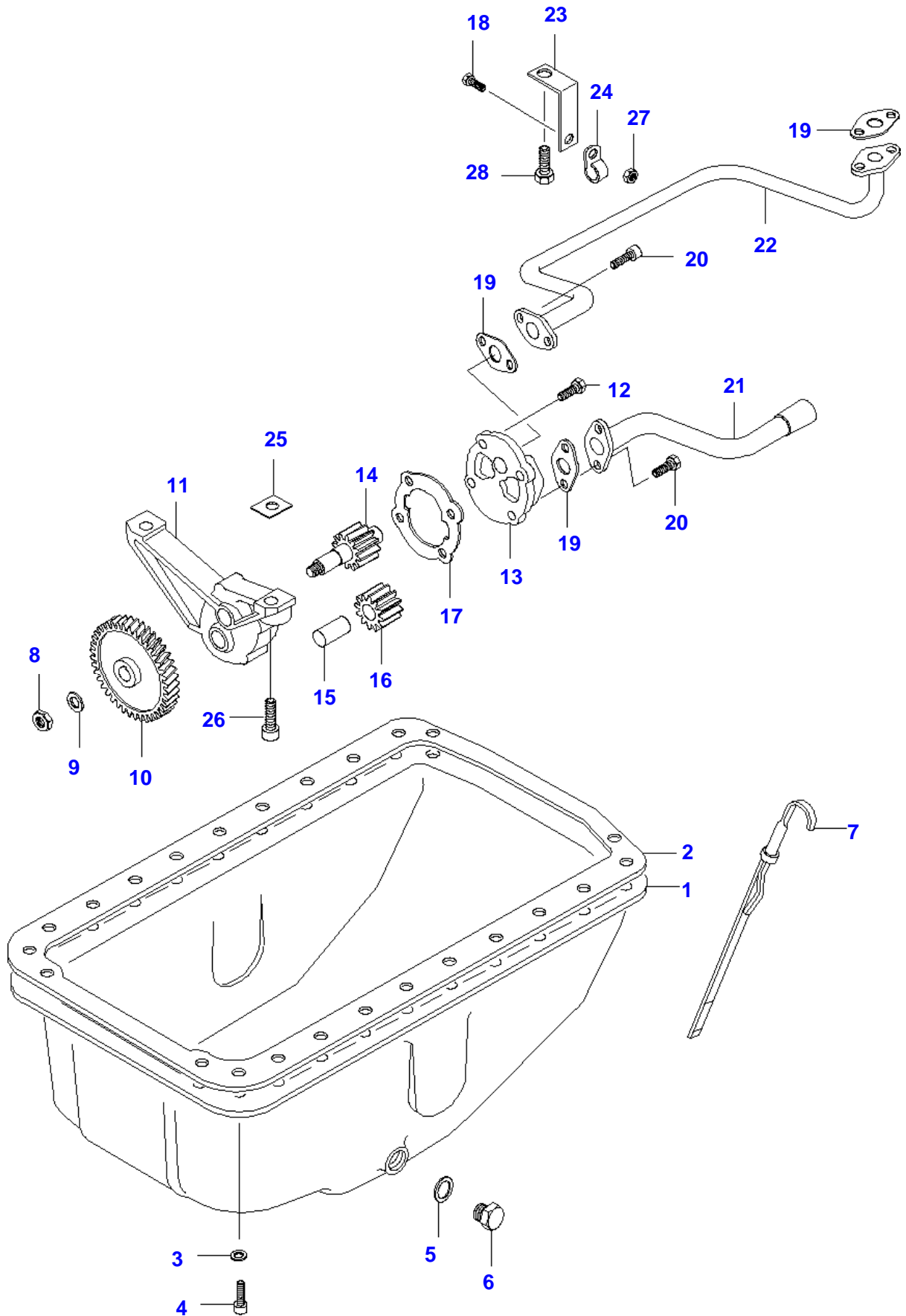
900 TRACTOR (600-900 SERIES)  
SPIMG-004-21-20



Item	Part Number	Qty	Description Comments
1	V836647419	1	GASKET S2
2	V836652221	1	TIMING GEAR CASE
3	V836655720	1	TIMING MARK INDICATOR
4	V529801440	2	HEX CAP SCREW
5	V598359850	4	PIN
6	V546801380	5	STUD BOLT
7	V529801450	1	HEX CAP SCREW
8	V528801400	10	HEX CAP SCREW
9	V836766127	1	SHAFT
	V836138354	1	IDLER GEAR ASSEMBLY
10	NS	1	NON-SERVICEABLE PART . GEAR
11	V836139039	1	BUSHING .
12	V836129845	1	FLANGE
13	V528801910	1	SCREW
14	V529902720	1	HEX CAP SCREW
15	V836647575	1	GEAR HOUSING FRONT COVER
16	V835336796	1	GASKET S2
17	V836129782	1	COVER
18	V614105880	1	OIL SEAL S2
19	V836129946	1	GASKET S2
20	V835338325	1	ENGINE OIL FILL PIPE
21	V504800800	5	NUT
22	V614603540	1	O-RING S2
23	V836017927	1	CAP
	V836655188	1	CAP INCLUDES CHAIN
24	V615881822	1	SEALING WASHER S2
25	V528801420	2	HEX CAP SCREW
26	V528801382	5	HEX CAP SCREW
27	V529801470	3	HEX CAP SCREW
28	V640325018	1	PLUG
55	V836119851	1	FITTING TURBO
29	V836120989	1	WASHER
30	V529801500	2	HEX CAP SCREW
	V836655232	1	DRIVE ASSEMBLY -K17877(M)
	V836666028	1	DRIVE ASSEMBLY K17878-(M)
31	V836655230	1	BEARING HOUSING . -K17877(M)
	V836664542	1	BEARING HOUSING . K17878-(M)
32	V610060096	1	BALL BEARING .
33	V617330031	1	LOCK RING .
34	V836120880	1	SHAFT .
35	V835336793	1	GASKET S2
36	V610060096	1	BALL BEARING

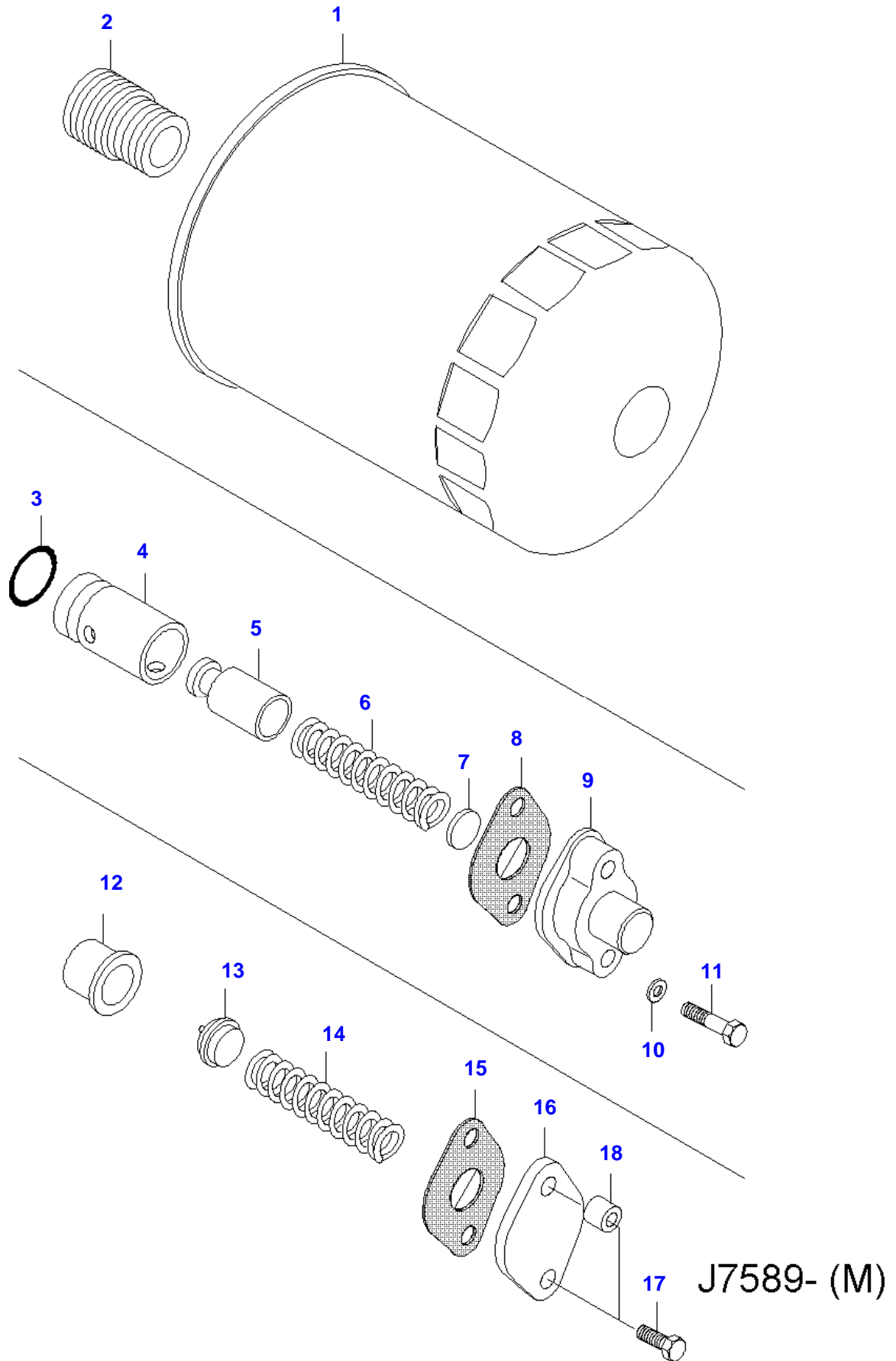
Item	Part Number	Qty	Description Comments
37	V528801362	3	HEX CAP SCREW
38	V529801460	4	HEX CAP SCREW
39	V836083428	1	CABLE TIE
40	V836655512	1	BRACKET -L7943(M)
	V836664528	1	THROTTLE SENSOR BRACKET L7944-(M)
41	V528801042	1	HEX CAP SCREW -1998
	V835331289	2	BANJO BOLT
42	V615870610	4	SEALING WASHER
43	V836659093	1	SHIELD
44	V528801082	2	HEX CAP SCREW
45	V836655234	1	HOSE
46	V836655736	1	UNION J10182-(M)
47	V615571014	1	SEALING WASHER
48	V602060612	1	RETAINER CLAMP
49	V836119296	1	SPACER PIECE
50	V615571014	4	SEALING WASHER K17878-(M)
51	V836664212	1	BANJO BOLT K17878-(M)
52	V836664543	1	OIL PIPE K17878-(M)
53	V836009683	1	RETAINER CLAMP K17878-(M)
54	V640435006	1	BANJO BOLT K17878-(M) [B] <b>[B] DISTRIBUTOR PUMP</b>

900 TRACTOR (600-900 SERIES)  
SPIMG-004-21-24



Item	Part Number	Qty	Description Comments
1	V836128794	1	OIL SUMP
2	V836107726	1	OIL SUMP GASKET S2
3	V500950800	22	SPRING WASHER
4	V581804580	22	HEX SOCKET SCREW
5	V615881827	1	SEALING WASHER S2
6	V836655493	1	PLUG
7	V836014330	1	DIPSTICK
	V836652603	1	LUBRICATING OIL PUMP ASSEMBLY
8	V504861000	1	NUT
9	V836122910	1	WASHER
10	V836338667	1	GEAR
11	V836120195	1	HOUSING
12	V528801380	4	HEX CAP SCREW
13	V836119794	1	COVER
14	V836652600	1	OIL PUMP SHAFT
15	V836120191	1	OIL PUMP SHAFT
16	V836120193	1	GEAR
17	V836119796	1	GASKET S2
18	V528801362	1	HEX CAP SCREW
19	V836008449	3	GASKET S2
20	V581804600	6	HEX SOCKET SCREW
21	V836759171	1	OIL PUMP SUCTION PIPE
22	V836746457	1	OIL PIPE
23	V836746572	1	SUPPORT
24	V602074618	1	RETAINER CLAMP
25	V836007871		SHIM
26	V581805050	2	HEX SOCKET SCREW
27	V504800800	1	NUT
28	V528801780	1	HEX CAP SCREW

900 TRACTOR (600-900 SERIES)  
SPIMG-004-21-26



Item	Part Number	Qty	Description Comments
1	V20136346	1	OIL FILTER
2	V836647404 V835340042	1	UNION OIL PRESSURE CONTROL VALVE ASSEMBLY -J7588(M)
3	V614601524	1	O-RING . S2
4	V836117834	1	CYLINDER .
5	V836338850	1	OIL PRESSURE CONTROL VALVE .
6	V836117836	1	SPRING .
7	V836020290	1	INJECTOR SHIM .
8	V836322190	1	GASKET . S2
9	V836129849	1	COVER
10	V500950800	1	SPRING WASHER
11	V528801420 V836662129	2	HEX CAP SCREW OIL PRESSURE CONTROL VALVE ASSEMBLY J7589-(M)
12	V836659521	1	VALVE SEAT .
13	V836659522	1	VALVE CONE .
14	V836659523	1	SPRING .
15	V836322190	1	GASKET .
16	V836659524	1	COVER .
17	V528801380	2	HEX CAP SCREW .
18	V836136337	1	SPACER PIECE .



**Suggest:**

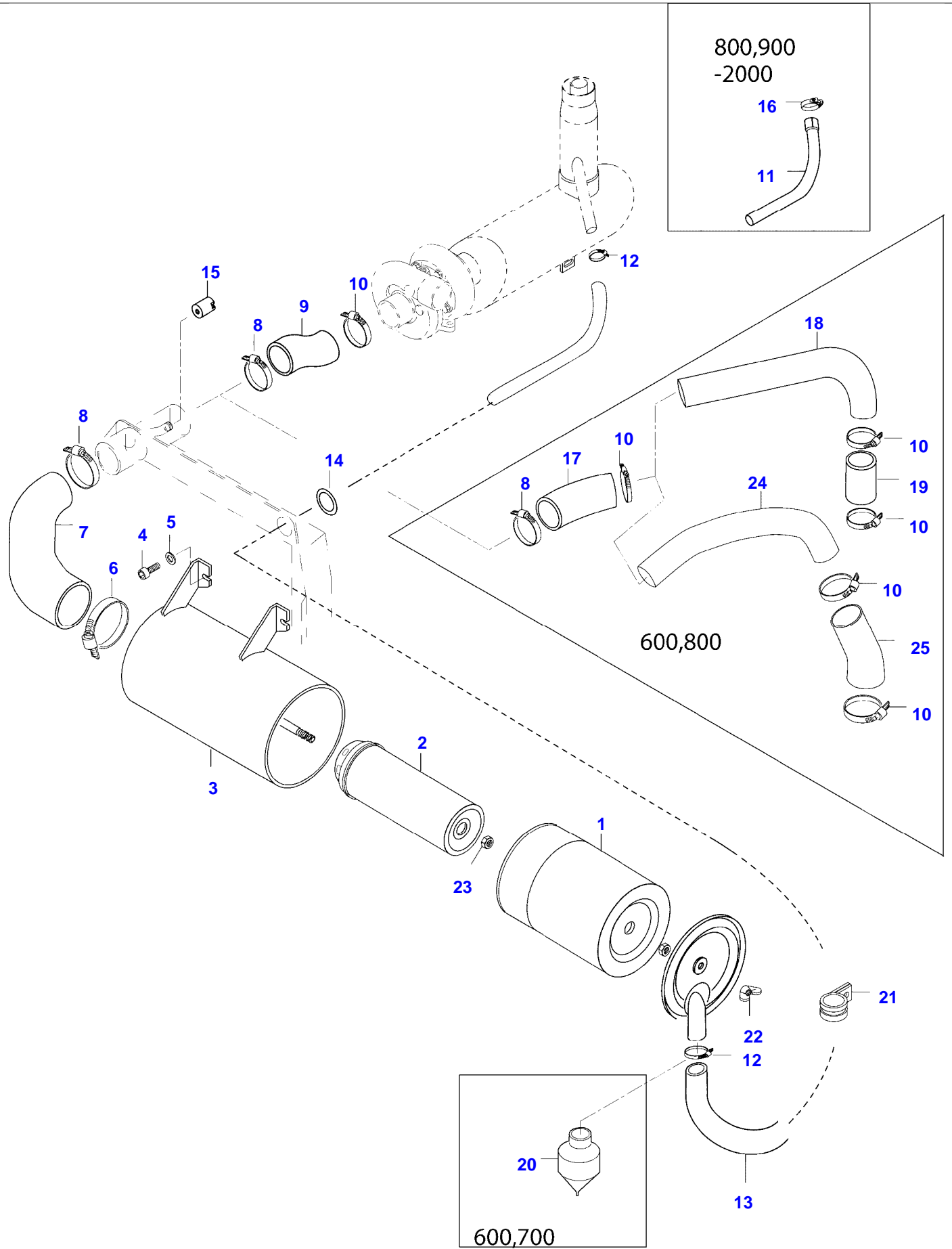
**For more complete manuals. Please go to the home page.**

**<https://www.ebooklibonline.com>**

**If the above button click is invalid. Please download this document first, and then click the above link to download the complete manual.**

**Thank you so much for reading**

900 TRACTOR (600-900 SERIES)  
SPIMG-004-21-28



Item	Part Number	Qty	Description Comments	Technical Specification
	V33391000	1	AIR FILTER ASSEMBLY	D=225
1	V20228310	1	AIR FILTER	D=165 L=380
2	V20228410	1	FILTER ELEMENT	D=85 L=370
3	NS	1	NON-SERVICEABLE PART	
22	VJC1610	1	HOUSING BLADE NUT	M10 DIN315 G5 ZNE
23	VJB8905	2	LOCKNUT	M10 SFS_EN_ISO_10511
4	VHC9621	2	HEX SOCKET SCREW	M8X12 SFS_EN_ISO_4762 8.8
5	VJD0408	2	WASHER	M8
6	VGP3933	1	HOSE CLIP	D=95 SMS2298
7	V33431500	1	TUBE	
8	VGP3933	2	HOSE CLIP	D=95 SMS2298
9	V33217400	1	TUBE	
10	VGP3942	1	HOSE CLIP	D=75 SMS2298
11	V33079800	1	TUBE -2000	
12	VGP3919	2	HOSE CLIP	D=26-38 SMS2298
13	V33032800	1	HOSE	L=1250
14	V33512500	1	GROMMET	
15	V33389600	1	SENSOR	6.5 KPA
16	V33279500	1	AIR FILTER TENSIONER -2000	
21	V30684700	1	PIPE SUPPORT	D=38

**<https://www.ebooklibonline.com>**

Hello dear friend!

Thank you very much for reading.

Enter the link into your browser.

The full manual is available for immediate download.

**<https://www.ebooklibonline.com>**