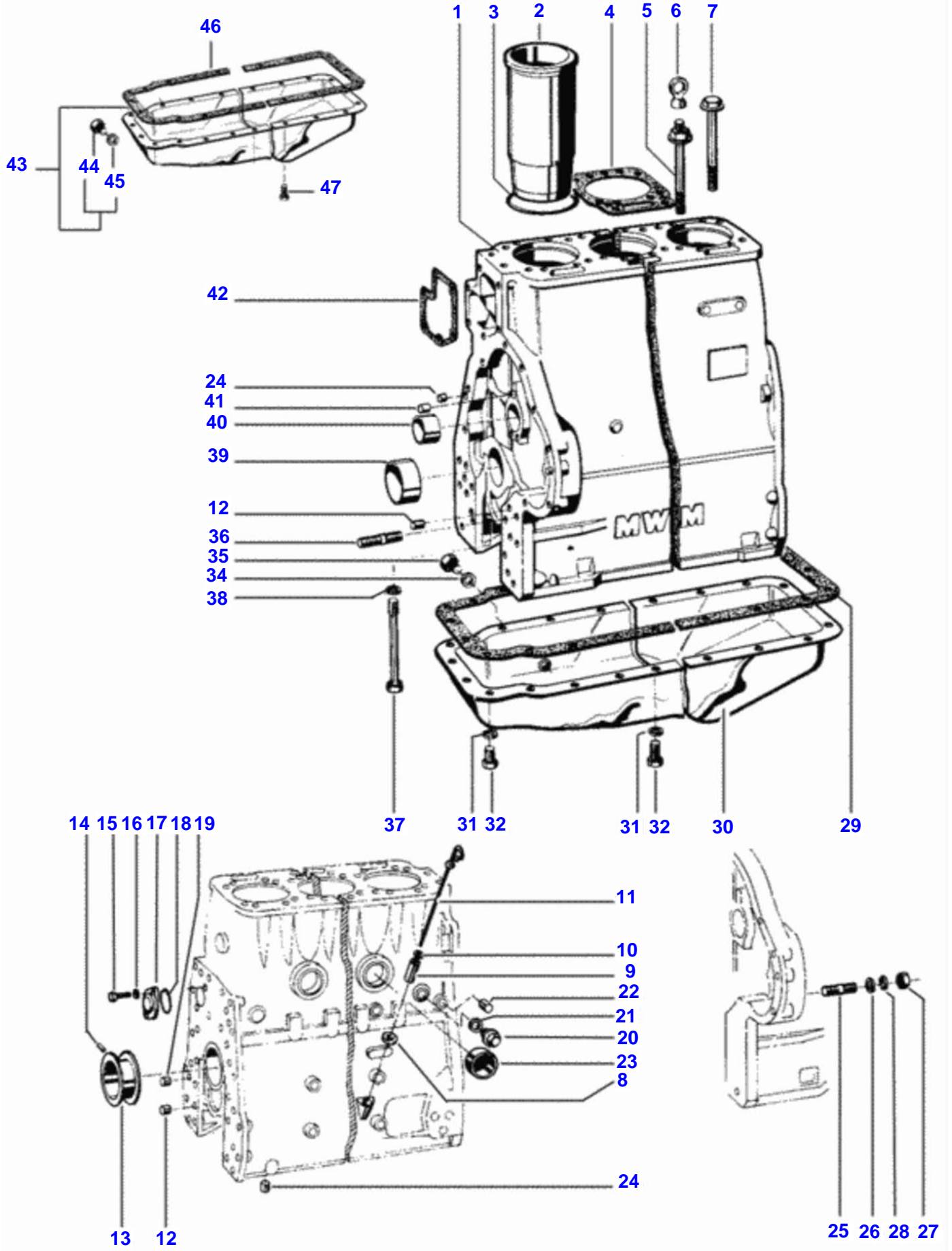


Page Title	Page Number
Cylinder Block	020-0010
Front Cover And Flywheel Housing	020-0015
Cylinder Head	020-0020
Valve Mechanism	020-0025
Crankshaft Mechanism	020-0030
Piston	020-0035
Oil Pump	020-0040
Inlet And Exhaust Manifold	020-0045
Muffler	020-0050
Air Filter	020-0055
Sedimentation Filter	020-0060
Fuel Filter - Bosch	020-0065
Fuel Pipes System (Bosch)	020-0070
Lubrificant Oil Filter	020-0075
Injection Pump (Bosch)	020-0080
Complete Injector (Bosch)	020-0085
Feed Pump (Bosch)	020-0090
Throttle System	020-0095
Radiator	020-0100
Water Pump	020-0105
Gasket Kit	020-0110

685C TRACTOR (BR) - C068504  
00003491



## Cylinder Block

Item	Part Number	Qty	Description
1	V81216600	1	Cylinder Block
2	V116840	3	Cylinder Liner
3	V149320	6	O-Ring
4	V143810	3	Cylinder
5	V111000	2	Cylinder
6	V111140	2	Lift Ring
7	V110990	10	Bolt
9	V135890	1	Pipe
10	V111210	2	O-Ring
11	V81341300	1	Dipstick
12	V142730	4	Guide Pin
13	V111270	1	Big-End
	V111310	1	Slider Bearing
	V111320	1	Slider Bearing
	V111280	1	Slider Bearing
14	V111030	4	Pressure Pin
15	V111540	2	Bolt
16	V143000	2	Spring Washer
17	V146210	1	Seal Cover
18	V117710	1	O-Ring
19	V142740	2	Guide Pin
20	V148730	1	Plug 3/8-18 Npsf
21	V116310	1	Collet
22	V141340	6	Pad
23	V111450	2	Seal Cover
24	V142370	2	Pad
25	V116810	4	Dog
26	V116940	4	Washer
27	VJB3110	4	Nut
28	V116950	4	Tooth Washer
29	V111190	1	Gasket Sump
30	V81246700	1	Sump
31	V143000	21	Spring Washer
32	VHA6322	21	Screw
34	V81288900	1	Seal Washer
35	V111170	1	Sump Plug
36	V111360	6	Dog
37	V111040	8	Bolt
38	V111020	8	Washer
39	V111230	3	Slider Bearing
	V111220	3	Big-End
	V111250	3	Slider Bearing
	V111240	3	Slider Bearing
	V111300	1	Slider Bearing
	V111260	3	Slider Bearing
40	V110980	1	Bush
41	V142360	3	Seal Pin
42	V111120	1	Gasket

**<https://www.ebooklibonline.com>**

Hello dear friend!

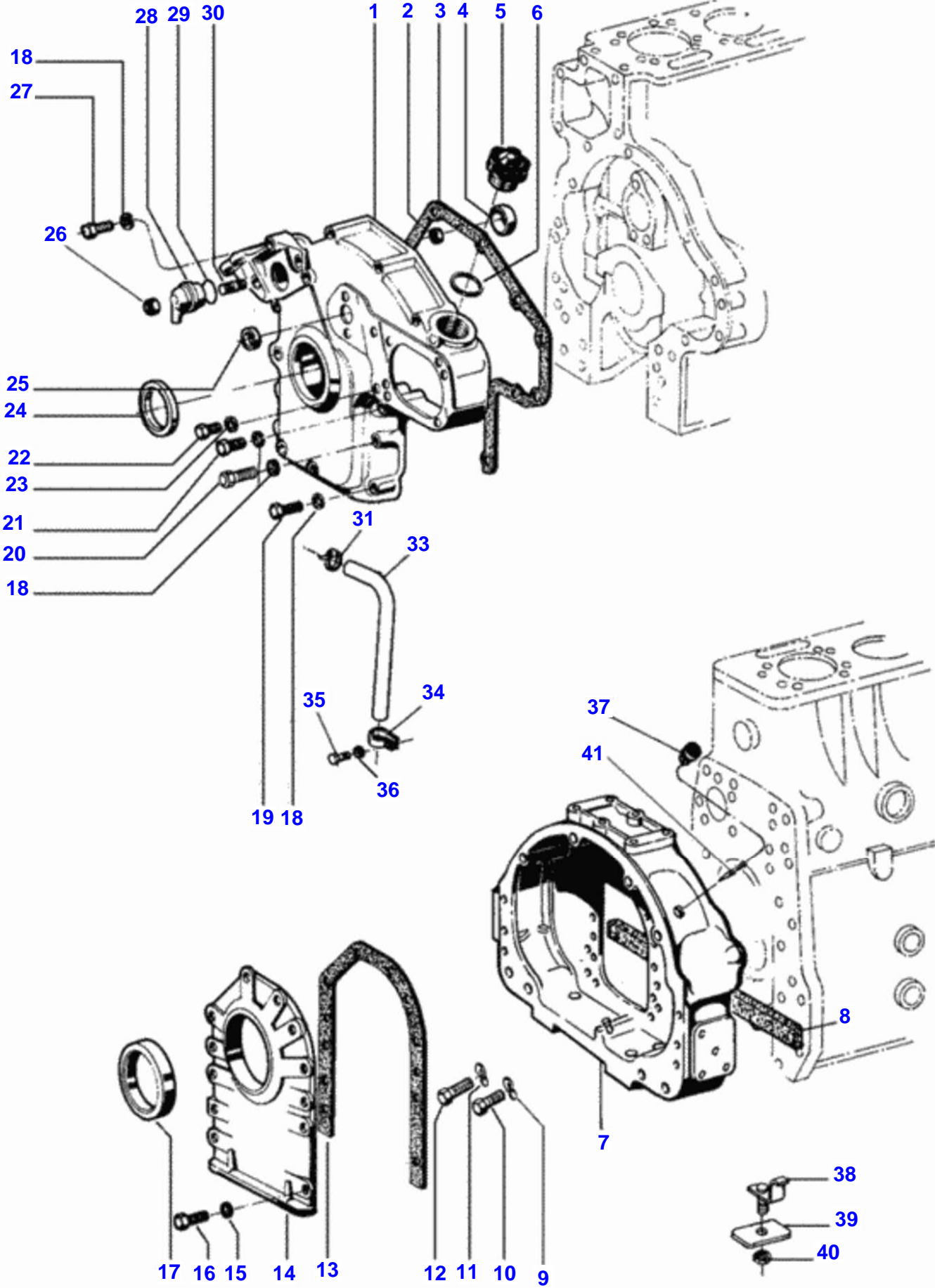
Thank you very much for reading.

Enter the link into your browser.

The full manual is available for immediate download.

**<https://www.ebooklibonline.com>**

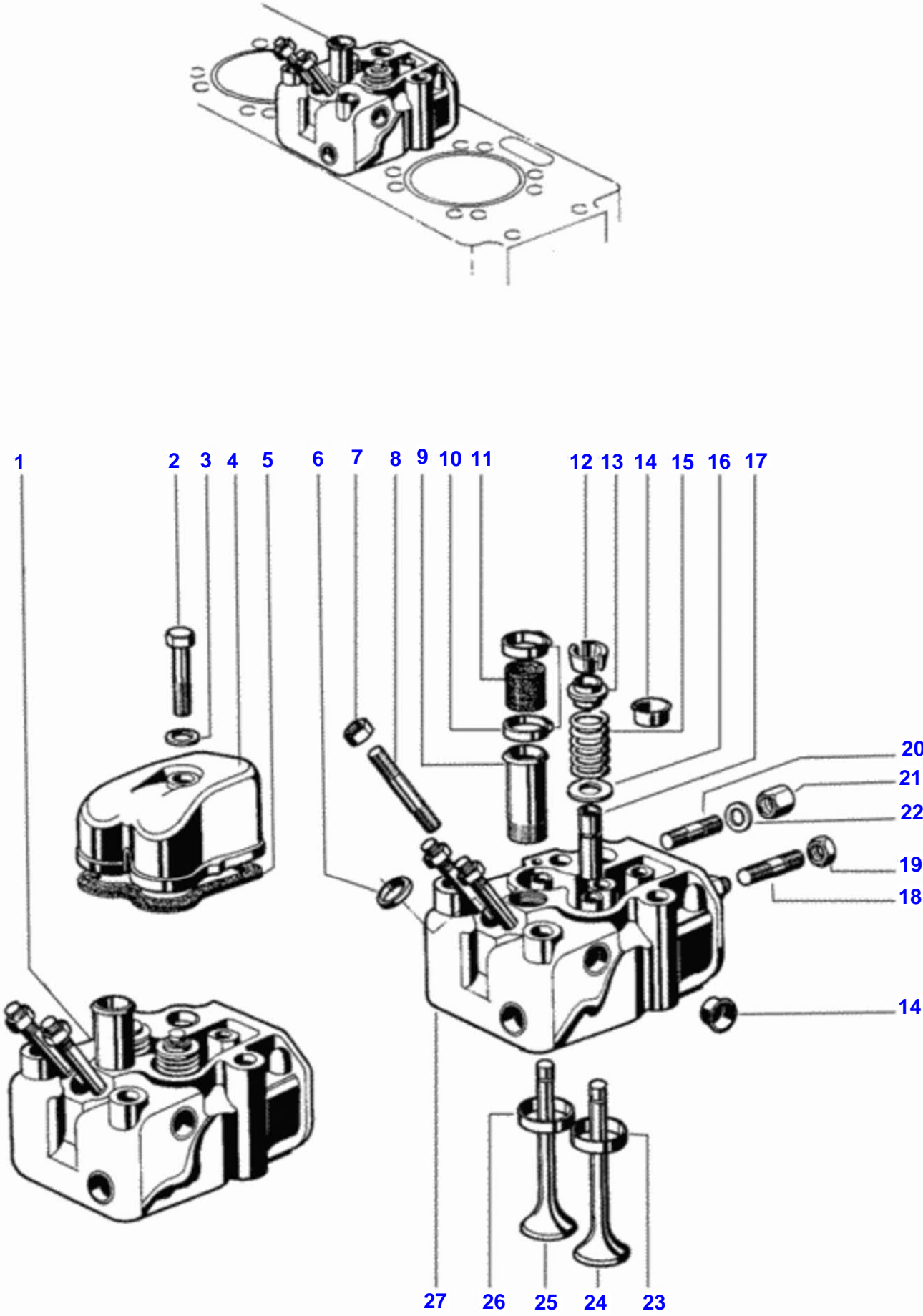
685C TRACTOR (BR) - C068504  
00000563



## Front Cover And Flywheel Housing

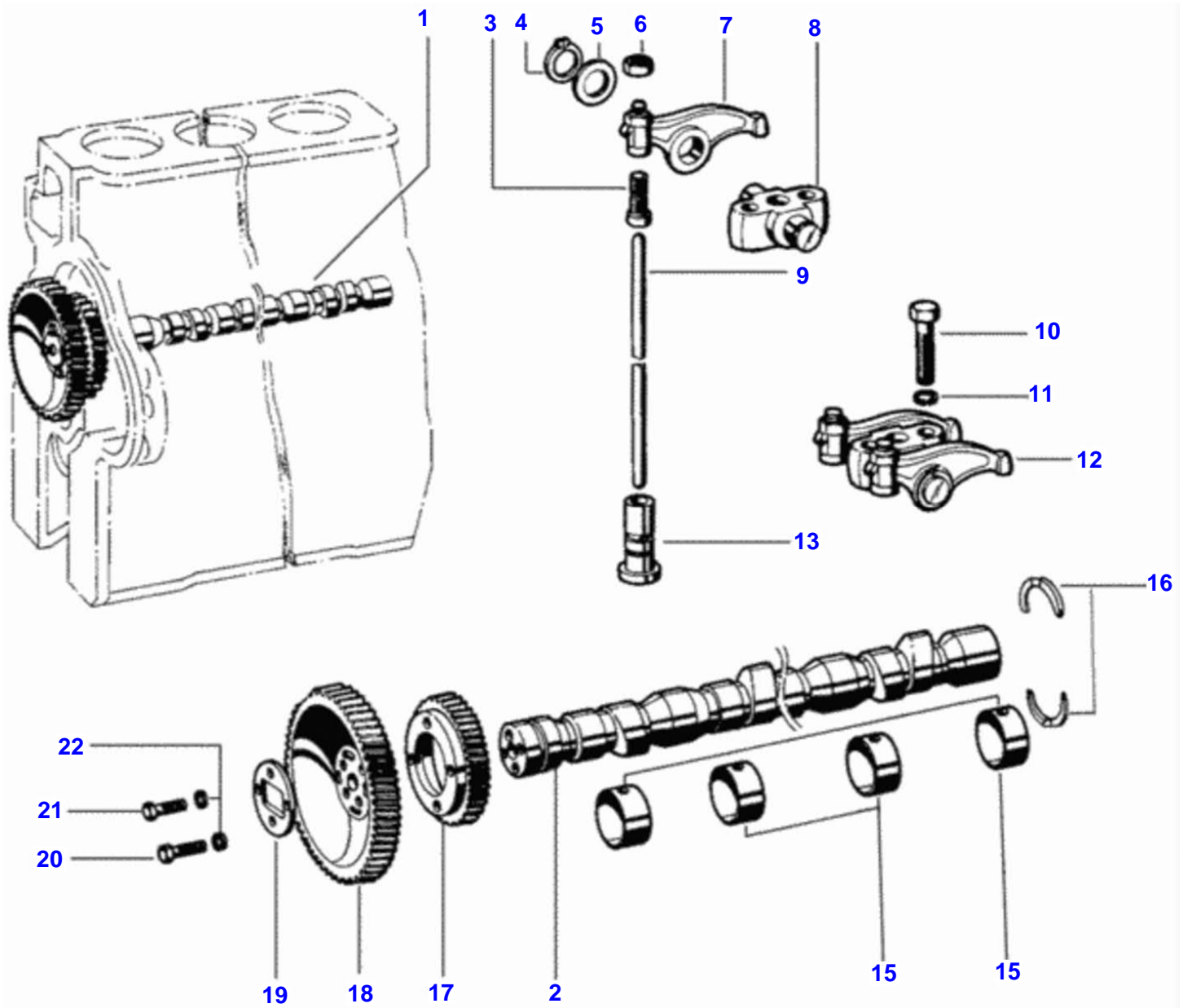
Item	Part Number	Qty	Description
1	V133800	1	Front Cover
2	V111630	1	Nut
3	V111640	1	Gasket
4	V111600	1	Protector Plate
5	V116990	1	Filler Cap
6	V117000	1	O-Ring
7	V147380	1	Flywheel Housing
8	V111760	1	Gasket
9	V117030	12	Washer
10	V118470	12	Bolt
11	V117050	6	Spring Washer
12	V149150	6	Bolt
13	V111530	1	Gasket
14	V111510	1	Rear Cover
15	V143000	10	Spring Washer
16	V111540	10	Bolt
17	V111520	1	Seal
18	VJD3108	13	Washer
19	V111660	3	Bolt
20	V117090	4	Bolt
21	V117100	1	Bolt
22	V111500	1	Bolt
23	V111340	1	O-Ring
24	V111560	1	Seal
25	V110970	1	Seal Cover
26	V111630	1	Nut
27	V117120	5	Bolt
28	V111570	1	Breather Cover
29	V111340	1	O-Ring
30	V111590	1	Dog
31	VGP3927	1	Clamp
33	V80709300	1	Breather Tube
34	V111710	1	Clamp
35	VHA6323	1	Screw
36	VJD3108	1	Washer
37	V80189100	1	Protection Cover
38	V234510	1	Assy Support
39	V245000	1	Cover
40	VJB1106	1	Washer
41	V148540	1	Bolt

685C TRACTOR (BR) - C068504  
0000564



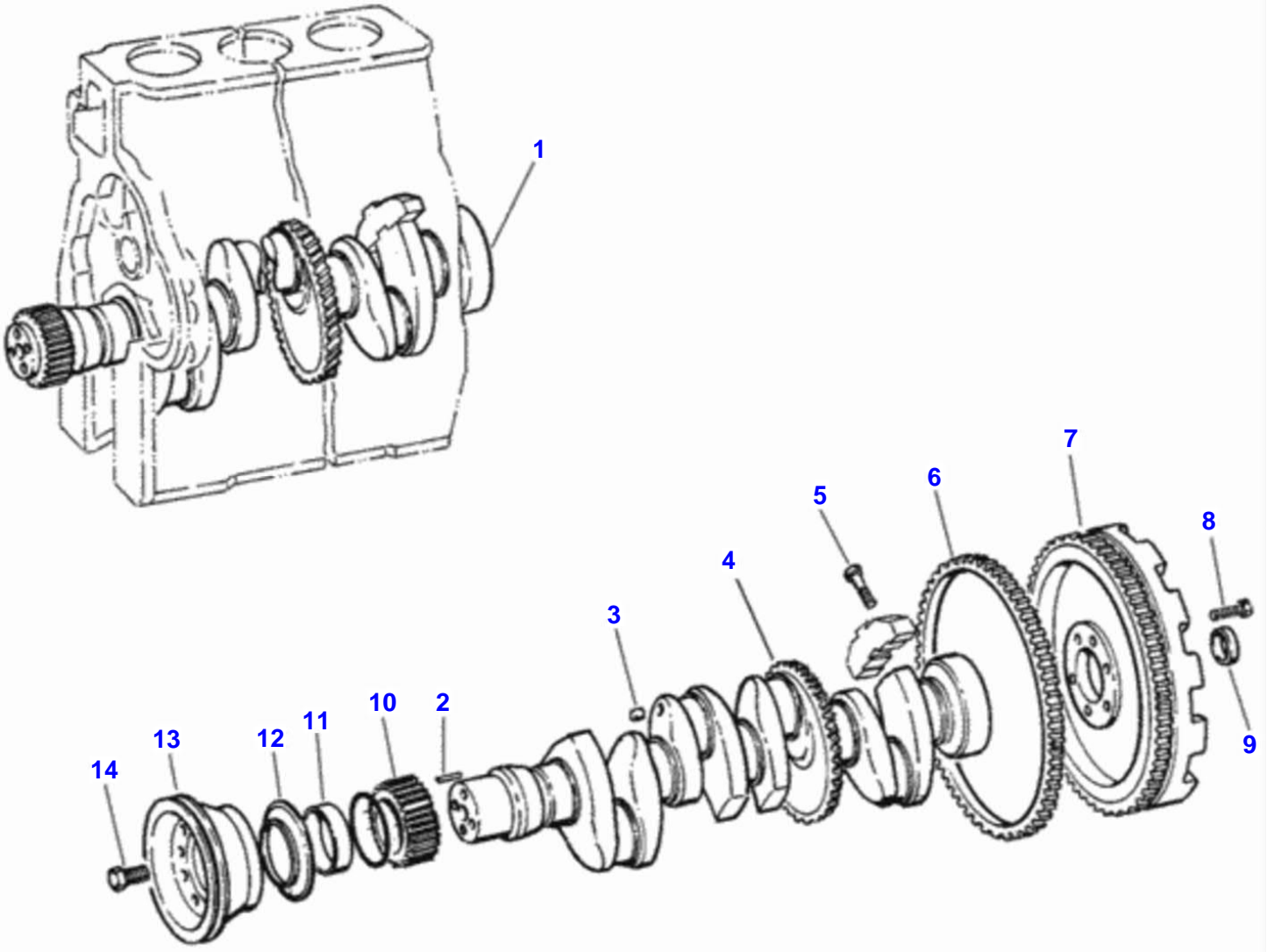
## Cylinder Head

Item	Part Number	Qty	Description
1	V149240	3	Complete
2	V121390	3	Bolt
3	V112620	3	Seal Washer
4	V149330	3	Valve Cover
5	V149340	3	Gasket
6	V117300	3	O-Ring
7	VJB1108	6	Nut
8	V142270	6	Dog
9	V112550	3	Pipe
10	V112560	6	Clamp
11	V112570	3	Hose
12	V116030	12	Valve Cotter
13	V112450	6	Upper Disc
14	V112480	15	Seal Cover
15	V116020	6	Valve Spring
16	V112410	6	Lower Disc
17	V117330	6	Valve Guide Std
18	V119220	6	Dog
19	V133670	6	Nut
20	V117350	6	Dog
21	V112540	6	Nut
22	V116080	6	Washer
23	V117360	3	Intake
24	V112430	3	Intake Valve
25	V112420	3	Exhaust Vale
26	V112510	3	Exhaust
27	V117380	3	Cylinder
999	V112640	3	Exhaust
	V112580	6	Valve



## Valve Mechanism

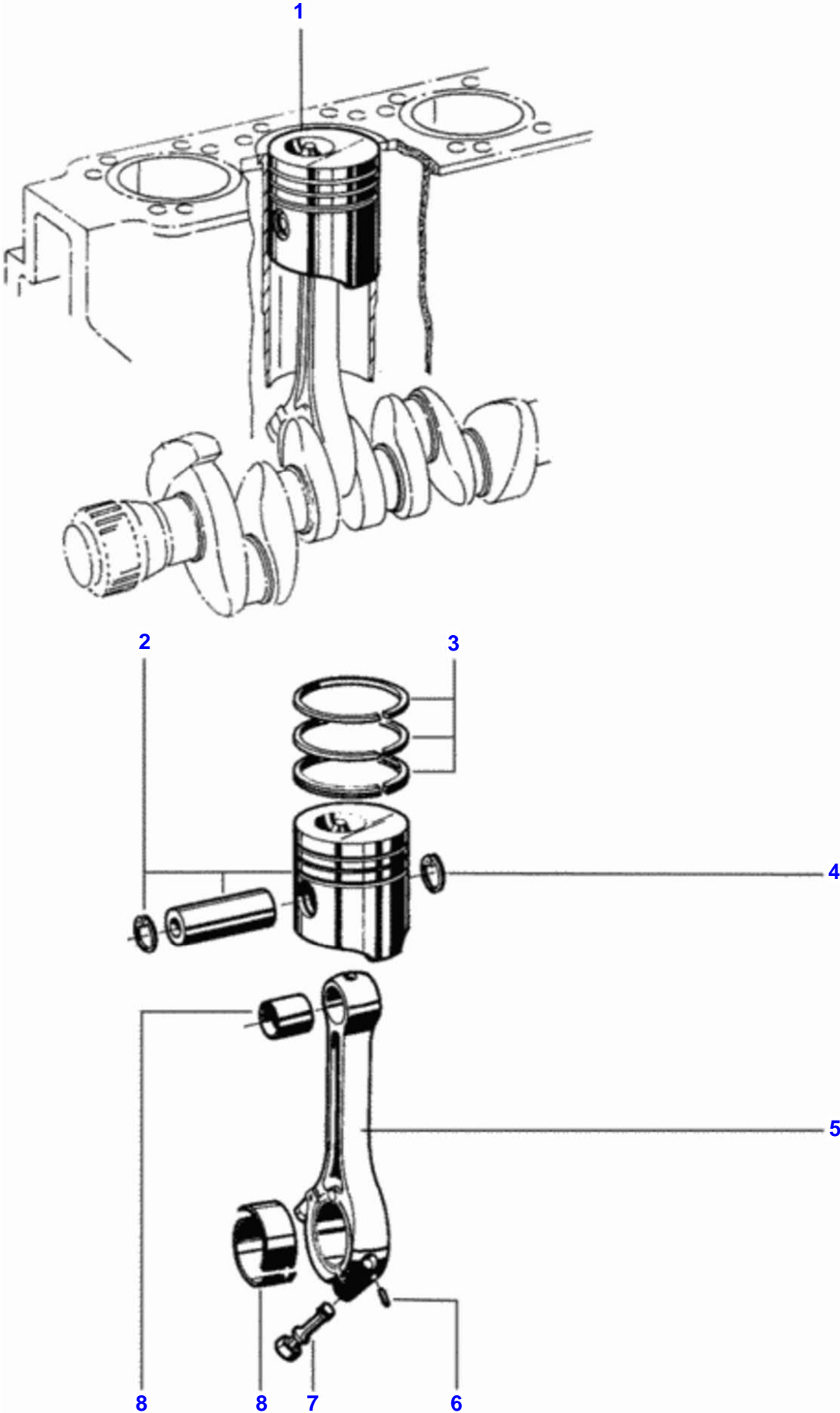
Item	Part Number	Qty	Description
1	V146220	1	Complete
2	V146190	1	Valve
3	V112170	6	Adjusting Screw
4	V112190	6	Circlip
5	V112180	6	Rocker
6	VJB1108	6	Nut
7	V149370	6	Assy Rocker Arm
8	V149350	3	Rocker
9	V112200	6	Push Rod
10	V117150	6	Bolt
11	VJD3110	6	Pressure Washer
12	V149360	3	Complete
13	V112210	6	Rocker
15	V112130	1	Bushing
16	V115950	1	Setting Ring
17	V112000	1	Gear
18	V111990	1	Gear
19	V112020	1	Lock
20	V117180	4	Bolt
21	V117190	4	Bolt M8X35Mm
22	VJD3108	8	Washer



**Crankshaft Mechanism**

<b>Item</b>	<b>Part Number</b>	<b>Qty</b>	<b>Description</b>
1	V111790	1	Crankshaft
2	V118680	1	Key
3	V142390	3	Pad
5	V111820	4	Bolt
6	V222340	1	Flywheel
7	V145250	1	Flywheel
9	V111900	1	Spacer Bushing
10	V111800	1	Gear
11	V137580	1	Bush
12	V111890	1	Dust Deflector
13	V146040	1	Pulley
14	V111880	4	Bolt

685C TRACTOR (BR) - C068504  
00000568



## Piston

Item	Part Number	Qty	Description
1	V81140300	3	Complete Piston
2	V81140400	3	Piston
3	V145370	3	Piston Ring Set
4	V115990	6	Circlip
5	V135690	3	Conrod
6	V116000	3	Pressure Pin
7	V112300	6	Bolt
8	V112320	3	Big-End
	V112310	3	Big-End
	V112330	3	Slider Bearing
	V112350	3	Slider Bearing
	V112340	3	Slider Bearing
9	V112280	3	Bush



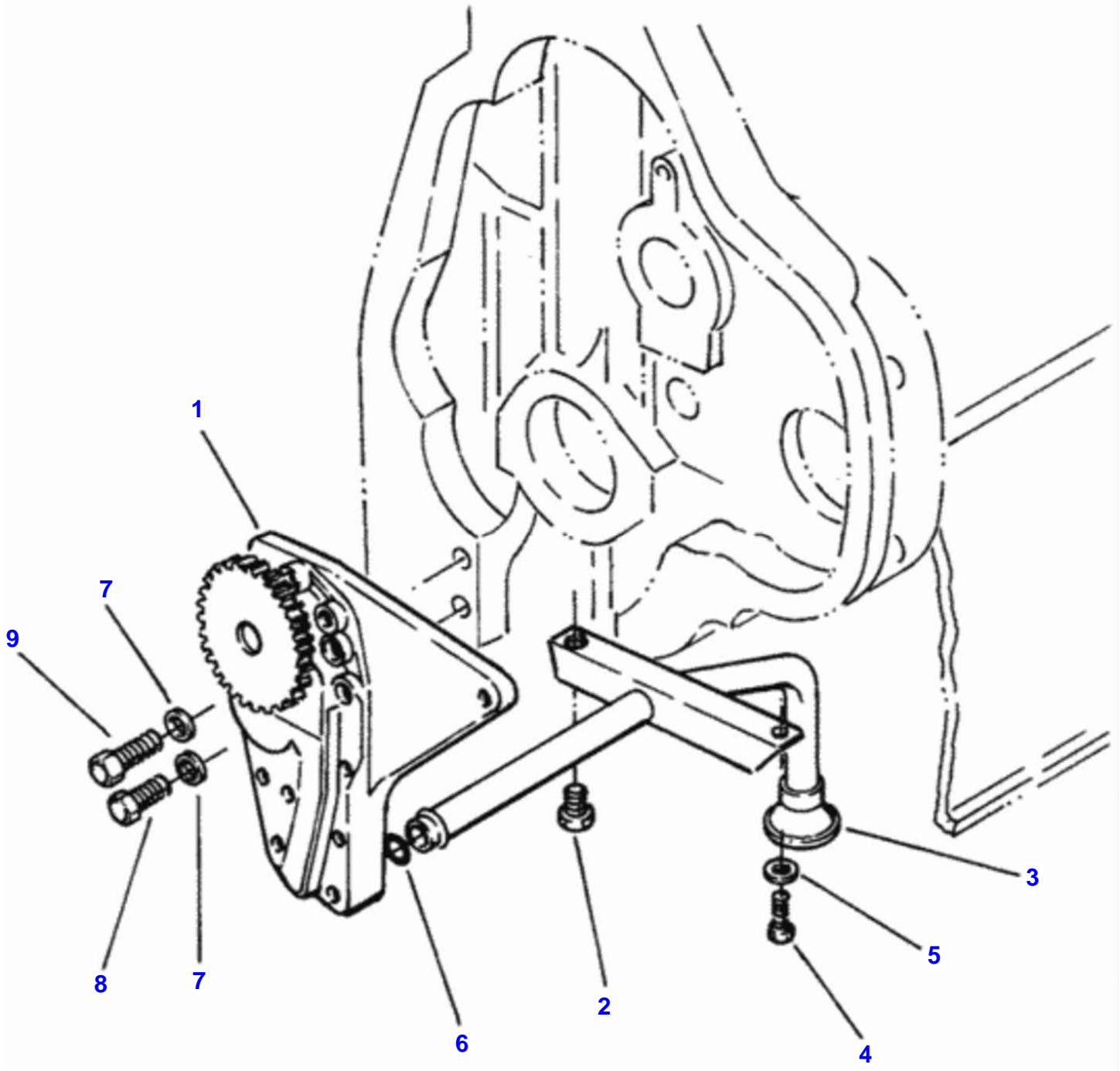
**Suggest:**

**For more complete manuals. Please go to the home page.**

**<https://www.ebooklibonline.com>**

**If the above button click is invalid. Please download this document first, and then click the above link to download the complete manual.**

**Thank you so much for reading**



## Oil Pump

Item	Part Number	Qty	Description	Comments
1	V81364500	1	Complete	
2	V112700	1	Bolt	
3	V81244900	1	Suction Pipe	4x2
4	V117180	1	Bolt	
5	V117170	1	Tooth Washer	
6	V116100	1	O-Ring	
7	V116890	3	Washer	
8	V117100	1	Bolt	
9	V111540	2	Bolt	

**<https://www.ebooklibonline.com>**

Hello dear friend!

Thank you very much for reading.

Enter the link into your browser.

The full manual is available for immediate download.

**<https://www.ebooklibonline.com>**