

IDEAL Series Combine

IDEAL 7

IDEAL 7PL

IDEAL 7T

IDEAL 8

IDEAL 8PL

IDEAL 8T

IDEAL 9

IDEAL 9PL

IDEAL 9T



TABLE OF CONTENT

| | |
|---|----|
| General | 1 |
| Engine, fuel and exhaust system | 2 |
| Drive train system | 3 |
| Brake system | 4 |
| Axles | 5 |
| Hydraulic system | 6 |
| Electrical system | 7 |
| Cab | 8 |
| Air conditioning and heating system | 9 |
| Feeding system | 10 |
| Threshing system | 11 |
| Grain tank and elevator system | 12 |
| Discharge system | 13 |
| Fault codes | 14 |
| Diagrams | 15 |
| Index | 16 |

1 General

| | | |
|------------|--|-------------|
| 1.1 | General information | 1-5 |
| 1.1.1 | Introduction to this service manual | 1-5 |
| 1.1.2 | Units of measurement | 1-5 |
| 1.1.3 | Table of contents | 1-5 |
| 1.1.4 | Page numbers | 1-5 |
| 1.1.5 | Intended use | 1-5 |
| 1.1.6 | Proper disposal of waste | 1-5 |
| 1.1.7 | Shield care | 1-6 |
| 1.2 | Machine identification | 1-7 |
| 1.2.1 | Serial number plate | 1-7 |
| 1.2.2 | Serial number plate - CE (safety plate) | 1-8 |
| 1.2.3 | Serial number plate - EAC | 1-8 |
| 1.2.4 | Serial number description | 1-9 |
| 1.2.5 | Terminal software information | 1-9 |
| 1.2.6 | AP 9.8L engine plate | 1-10 |
| 1.2.6.1 | Location of the engine serial number | 1-10 |
| 1.2.6.2 | Contents of the engine type plate | 1-11 |
| 1.2.7 | D26 / D38 engine plate | 1-11 |
| 1.2.7.1 | Engine serial number | 1-11 |
| 1.2.8 | Additional identification | 1-12 |
| 1.2.8.1 | Homologation plate - CE/EAC | 1-12 |
| 1.2.8.2 | Homologation plate - France | 1-12 |
| 1.2.8.3 | Combine identification | 1-13 |
| 1.2.8.4 | LS pump identification | 1-14 |
| 1.2.8.5 | Propel motor identification | 1-14 |
| 1.2.8.6 | Ground drive transmission identification | 1-14 |
| 1.2.8.7 | Trailer hitch identification (if equipped) | 1-15 |
| 1.3 | Safety | 1-16 |
| 1.3.1 | Safety symbol | 1-16 |
| 1.3.2 | Warnings | 1-16 |
| 1.3.3 | Safety signs | 1-17 |
| 1.3.4 | A word to the technician | 1-17 |
| 1.3.5 | The service manual | 1-18 |
| 1.3.6 | Prepare for operation | 1-18 |
| 1.3.7 | General information | 1-19 |
| 1.3.8 | Emergency situations | 1-20 |
| 1.3.9 | Personal protective equipment | 1-20 |
| 1.3.10 | Emergency exit | 1-20 |
| 1.3.11 | Seat instructions | 1-21 |
| 1.3.12 | Operator out of seat | 1-21 |
| 1.3.13 | Shield and guards | 1-21 |
| 1.3.14 | Exhaust warning | 1-22 |
| 1.3.15 | Flying debris | 1-22 |
| 1.3.16 | Handrails | 1-23 |
| 1.3.17 | Header safety | 1-23 |
| 1.3.18 | Grain tank safety | 1-23 |
| 1.3.19 | Straw chopper, chaff spreader, and straw spreader safety | 1-24 |
| 1.3.20 | Travel on public roads | 1-24 |
| 1.3.21 | General maintenance information | 1-25 |
| 1.3.22 | Fire prevention and first aid | 1-27 |

<https://www.ebooklibonline.com>

Hello dear friend!

Thank you very much for reading.

Enter the link into your browser.

The full manual is available for immediate download.

<https://www.ebooklibonline.com>

| | | |
|-----------|--|------|
| 1.3.23 | High pressure leaks | 1-28 |
| 1.3.24 | Engine safety | 1-28 |
| 1.3.25 | Fuel safety | 1-30 |
| 1.3.25.1 | Ultra-low sulfur diesel | 1-30 |
| 1.3.26 | Battery safety | 1-31 |
| 1.3.27 | Accumulator safety | 1-32 |
| 1.3.28 | Replacement parts | 1-32 |
| 1.3.29 | Proper disposal of waste | 1-32 |
| 1.3.30 | Safety and informational signs | 1-33 |
| 1.3.30.1 | Decal locations | 1-33 |
| 1.3.30.2 | Lubrication points, right side | 1-35 |
| 1.3.30.3 | Lubrication points, left side | 1-36 |
| 1.3.30.4 | Break Glass - Exit | 1-36 |
| 1.3.30.5 | Lift point | 1-36 |
| 1.3.30.6 | Tow point | 1-37 |
| 1.3.30.7 | Danger - Entanglement hazard | 1-37 |
| 1.3.30.8 | Warning - Entanglement hazard | 1-37 |
| 1.3.30.9 | Tiedown point | 1-37 |
| 1.3.30.10 | Power off delay | 1-38 |
| 1.3.30.11 | Battery positive terminal | 1-38 |
| 1.3.30.12 | Battery disconnect | 1-38 |
| 1.3.30.13 | Battery negative terminal | 1-38 |
| 1.3.30.14 | 12V/120W | 1-39 |
| 1.3.30.15 | Main fuses | 1-39 |
| 1.3.30.16 | Telescopic deck handrail | 1-39 |
| 1.3.30.17 | Unloader drive | 1-39 |
| 1.3.30.18 | Safety alert - Fire extinguisher | 1-40 |
| 1.3.30.19 | Warning - Flying objects hazard | 1-40 |
| 1.3.30.20 | Warning - Explosion hazard | 1-40 |
| 1.3.30.21 | Burn hazard - radiator | 1-40 |
| 1.3.30.22 | Burn hazard - hot surface | 1-41 |
| 1.3.30.23 | Impact hazard, coiled spring, variator | 1-41 |
| 1.3.30.24 | Jack point | 1-41 |
| 1.3.30.25 | No step | 1-41 |
| 1.3.30.26 | Lug nut torque, front wheels | 1-42 |
| 1.3.30.27 | Lug nut torque, rear wheels | 1-42 |
| 1.3.30.28 | Diesel exhaust fluid | 1-42 |
| 1.3.30.29 | Ultra low sulfur diesel | 1-43 |
| 1.3.30.30 | Warning - Hydraulic fluid pressure | 1-43 |
| 1.3.30.31 | Explosion hazard | 1-43 |
| 1.3.30.32 | Warning - Crushing hazard | 1-43 |
| 1.3.30.33 | Warning - Crushing hazard | 1-44 |
| 1.3.30.34 | Flying objects hazard | 1-44 |
| 1.3.30.35 | Crush hazard | 1-44 |
| 1.3.30.36 | Fall hazard | 1-44 |
| 1.3.30.37 | Warning - Shut off engine | 1-45 |
| 1.3.30.38 | Warning - Bystander alert | 1-45 |
| 1.3.30.39 | Operators manual | 1-45 |
| 1.3.30.40 | Danger - Electrical hazard | 1-45 |
| 1.3.30.41 | Warning - Autoguide on public roads | 1-46 |
| 1.3.30.42 | Warning - Crush hazard | 1-46 |
| 1.3.30.43 | Warning - Crush hazard | 1-46 |
| 1.3.30.44 | Warning - Seat belt | 1-46 |
| 1.3.30.45 | Reflector location | 1-47 |
| 1.3.30.46 | Reflector yellow | 1-50 |
| 1.3.30.47 | Reflector red | 1-50 |
| 1.3.30.48 | Reflector orange | 1-50 |
| 1.3.31 | Emergency exit | 1-50 |

| | | |
|------------|--|-------------|
| 1.3.32 | Seat belts | 1-51 |
| 1.3.33 | Fall protection rails | 1-51 |
| 1.3.34 | Engage the feeder house cylinder stop | 1-53 |
| 1.3.35 | Disengage the feeder house cylinder stop | 1-53 |
| 1.3.36 | Shield tool | 1-54 |
| 1.3.37 | Leveling system | 1-54 |
| 1.3.38 | Reverse alarm | 1-55 |
| 1.3.39 | Fire extinguisher | 1-55 |
| 1.3.40 | Noise level in the cab | 1-55 |
| 1.3.41 | Vibrations in the cab | 1-56 |
| 1.3.42 | Electromagnetic emissions | 1-56 |
| 1.3.43 | Statutory regulations | 1-57 |
| 1.4 | Specifications | 1-58 |
| 1.4.1 | Dimensions | 1-58 |
| 1.4.2 | Mass (weight) | 1-60 |
| 1.4.3 | Tire specifications | 1-61 |
| 1.4.4 | Engine specifications | 1-64 |
| 1.4.5 | Lubrication specifications | 1-65 |
| 1.4.6 | Machine system specifications | 1-68 |
| 1.4.7 | Cab specifications | 1-70 |
| 1.4.8 | Electrical specifications | 1-71 |
| 1.4.9 | Machine lamp specifications | 1-71 |
| 1.4.10 | Hydraulic system specifications | 1-72 |
| 1.4.11 | Climate control specifications | 1-73 |
| 1.4.12 | Compressed air specifications | 1-73 |
| 1.4.13 | Machine drive specifications | 1-73 |
| 1.4.14 | Steering specifications | 1-74 |
| 1.4.15 | Brake specifications | 1-75 |
| 1.4.16 | Wheel torque specifications | 1-75 |

1.1 General information

1.1.1 Introduction to this service manual

This service manual gives information from engineering tests, operating data, and the latest service techniques at the time of publication. Read this service manual carefully before doing any service on the machine.

The photos and illustrations used in this service manual were current at the time of publication. Production changes can cause machines to vary from the photos and the illustrations. The manufacturer reserves the right to redesign and change machines as necessary without notification.

**WARNING:**

Some pictures in this manual show the machine with shields or guards removed to permit for a better view of the subject of the picture. All shields and guards must be in position before operating the machine.

Machine movement when in normal use determines right-hand and left-hand.

1.1.2 Units of measurement

Measurements are given in metric units followed by the equivalent in US units. Hardware sizes are given in millimeters for metric hardware and inches for US hardware.

1.1.3 Table of contents

This manual has a table of contents at the front. The table of contents shows the divisions. The individual divisions also have a table of contents.

1.1.4 Page numbers

All pages have two numbers, such as 01-25. The first number shows the division. The second number shows the page in the division.

Page numbers occur on the lower right-hand or lower left-hand corner of each page.

1.1.5 Intended use

This machine is designed solely for use in customary agricultural operations.

Do not use this machine for any application or purpose other than those described in this manual. The manufacturer accepts no liability for damage or injury resulting from misuse of this machine.

Compliance with the conditions of operation, service and repair as specified by the manufacturer constitute essential elements for the intended use of this machine.

This machine should be operated, serviced and repaired only by qualified persons familiar with its characteristics and familiar with the relevant safety rules and procedures.

All generally recognized safety regulations and road traffic regulations must be obeyed at all times.

Any unauthorized modifications performed on this machine will relieve the manufacturer of all liability for any resulting damage or injury.

1.1.6 Proper disposal of waste

Improper disposal of waste can pollute the environment and ecology. A few examples of potentially harmful equipment waste can include, but not limited to, items such as oil, fuel, coolant, brake fluid, filters, battery chemicals, tires, etc.

Use leak proof containers when draining fluids. Do not use food or beverage containers to collect waste fluids, as food or beverage container(s) may mislead someone into drinking from them.

1. General

Do not pour or spill waste onto the ground, down a drain, or into any water source.

Air conditioning refrigerants escaping into the air can damage the Earth's atmosphere. Government regulations may require a certified air conditioning service center to recover and recycle used air conditioning refrigerants.

Inquire with local environmental or recycling center on the proper way to recycle or dispose waste.

1.1.7 Shield care

Clean the shields with water only, or a silicone remover if necessary.

IMPORTANT: *Do not use a cleaner with alcohol in it. A cleaner that has alcohol can cause damage to the shields.*

To prevent scratching the shield surface follow these processes:

- Use a soft cloth.
- Whip in a smooth movement. Do not clean aggressively.
- Dry the surface with compressed air.

1.2 Machine identification

Each machine is identified by a model and a serial number.

Record these numbers in the spaces given.

Give the model number and serial number to your dealer when parts or servicing are necessary.

Machine model number: _____

Machine serial number: _____

Date of delivery: _____

Dealer name: _____

Dealer address: _____

Dealer telephone number: _____

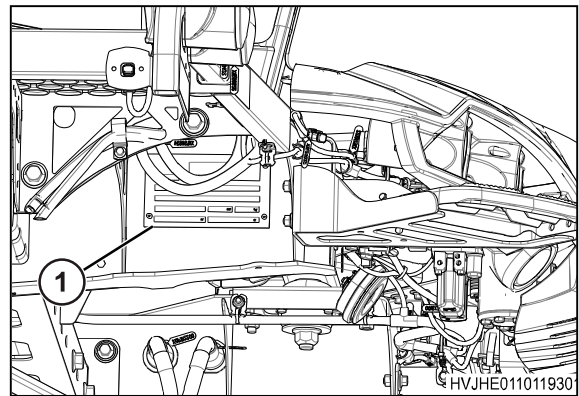
Dealer e-mail address: _____

Dealer fax number: _____

1.2.1 Serial number plate

Serial numbers identify the machine and are important if servicing or repair parts are necessary.

The machine serial number plate (1) is below the cab on the right side.




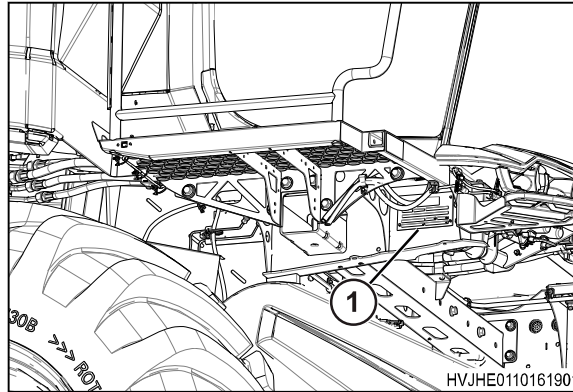
| | | | |
|--|---|--|--|
|  AGCO Your Agriculture Company | | Manufacturer's Address <input type="text"/> | |
| Model <input type="text"/> | | | |
| Product Year <input type="text"/> | Model Year <input type="text"/> | Commercial Number/Type <input type="text"/> | |
| Product Identification Number <input type="text"/> | | | |
| Product <input type="text"/> | Nominal Power <input type="text"/> kW | Mass (usual config) <input type="text"/> kg | |
| Maximum Drawbar Pull <input type="text"/> N | Maximum Vertical Drawbar Load <input type="text"/> N | | |
| <small>ACW5248220</small> HVJHE011011920 | | | |

Fig. 1

1.2.2 Serial number plate - CE (safety plate)

Serial numbers identify the machine and are important if servicing or repair parts are necessary.

The machine serial number plate (1) is below the cab on the right side.



| | | | | |
|---|--|---|--|--|
| Your Agriculture Company | | Manufacturer's Address <input type="text"/> | | |
| Model <input type="text"/> | | | | |
| Product Year <input type="text"/> | Model Year <input type="text"/> | Commercial Number/Type <input type="text"/> | | |
| Product Identification Number <input type="text"/> | | | | |
| Product <input type="text"/> | Nominal Power <input type="text"/> kW | Mass (usual config) <input type="text"/> kg | | |
| Maximum Drawbar Pull <input type="text"/> N | | Maximum Vertical Drawbar Load <input type="text"/> N | | |
| ACW5246200 HVJHE011016100 | | | | |

Fig. 2

1.2.3 Serial number plate - EAC

Serial numbers identify the machine and are important if servicing or repair parts are necessary.

The machine serial number plate (1) is below the cab on the right side.

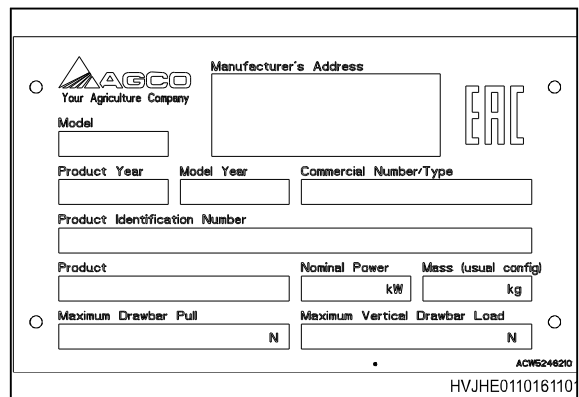
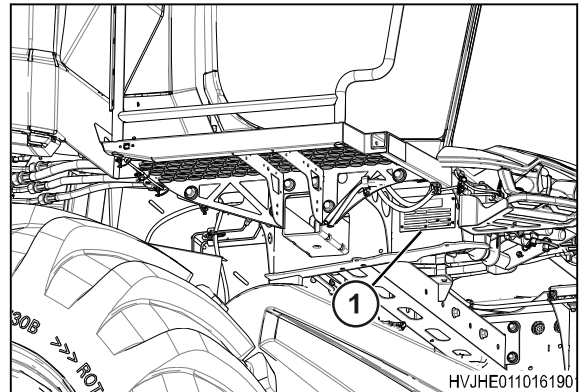


Fig. 3

1.2.4 Serial number description

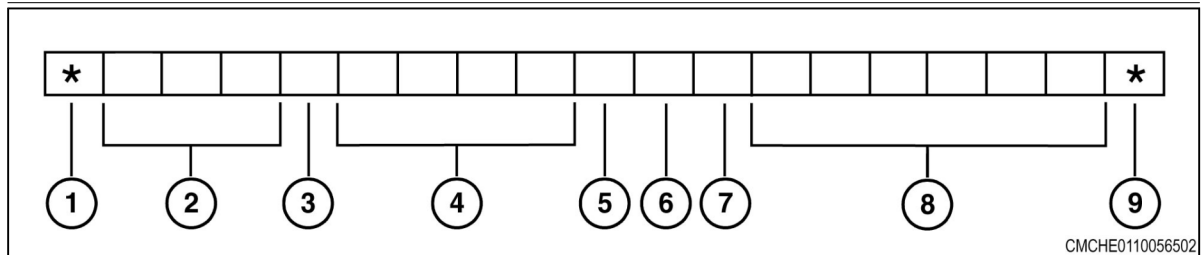


Fig. 4

- (1) Beginning symbol
- (2) World manufacturer code
- (3) Brand (G=AGCO)
- (4) Machine description
- (5) Check letter
- (6) 0
- (7) Plant code
- (8) Progressive unit number
- (9) End symbol

1.2.5 Terminal software information

The machine identification and terminal software information are on the maintenance screen.

Select the icons in this order:



1. General

The terminal information will change when the terminal software is replaced.

The machine information will remain the same.

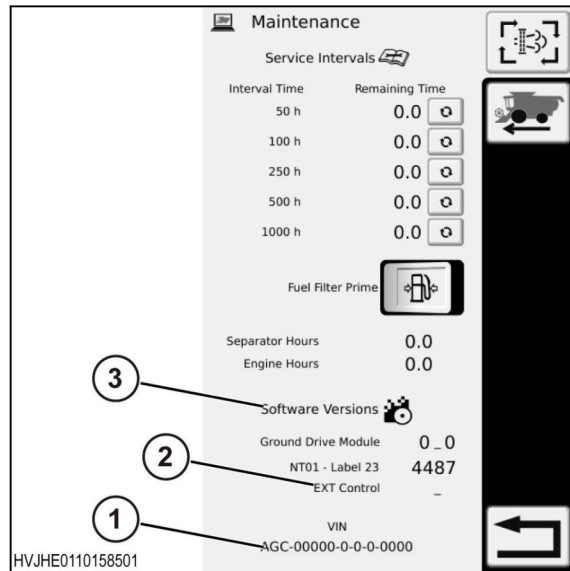



Fig. 5

Select  to move to the previous screen.

| | | |
|-----|--------------------------------|--|
| (1) | Vehicle identification number: | |
| (2) | EXT control version: | |
| (3) | Terminal version: | |

1.2.6 AP 9.8L engine plate

1.2.6.1 Location of the engine serial number

The engine serial number is stamped on the cylinder block as the picture shows.

The serial number is also marked on the type plate.

Location of the engine serial number in:

- 84 engines
- 98 engines

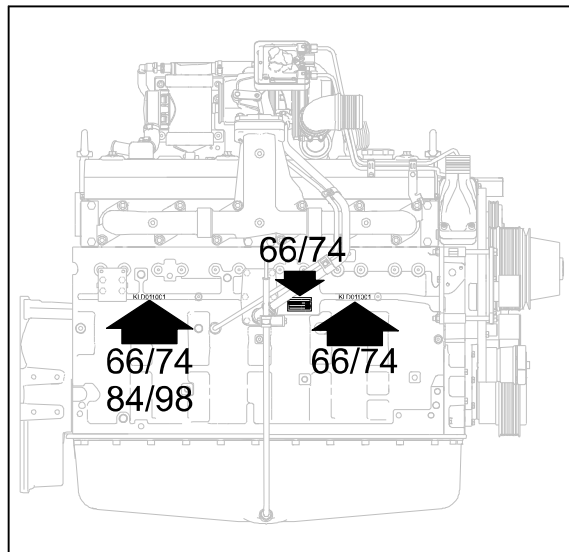


Fig. 6

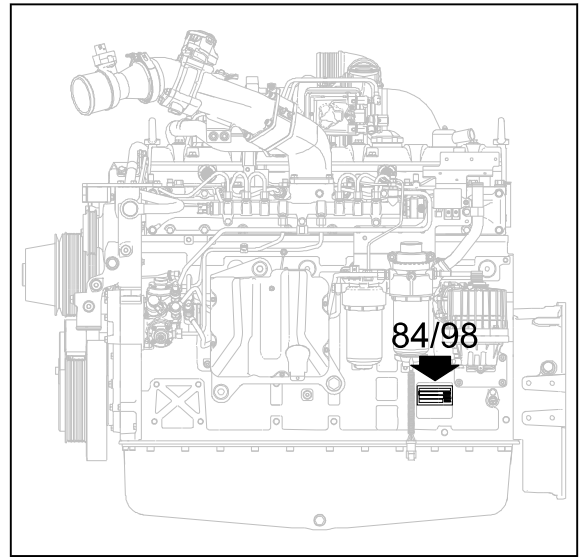


Fig. 7

1.2.6.2 Contents of the engine type plate

- (1) Engine manufacturer
- (2) Engine type
- (3) Engine power and engine speed
- (4) Serial number and manufacturing date (dd.mm.yyyy)
- (5) Valve clearance

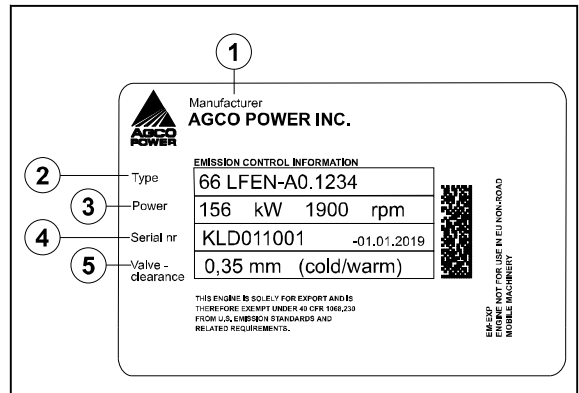


Fig. 8 A general example plate

1.2.7 D26 / D38 engine plate

1.2.7.1 Engine serial number

The engine serial number is on the engine data plate (1) located on the engine above the flywheel.

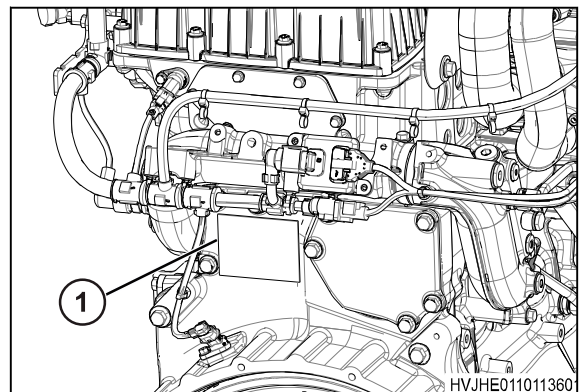


Fig. 9

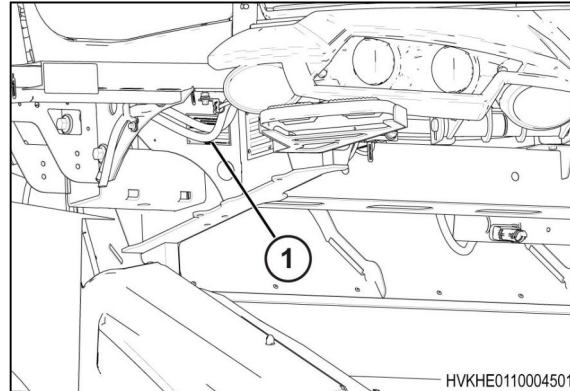
1.2.8 Additional identification

1.2.8.1 Homologation plate - CE/EAC

The machine homologation plate (1) is below the cab on the right side.

The homologation plate shows the following information:

- Vehicle type
- Approval number
- VIN (vehicle identification number)
- Total maximum permitted mass
- Max permitted mass on the axles
- Towing maximum admissible mass



| | | |
|---|----|--|
| Your Agriculture Company | | |
| Tipo/Type/Typ: | | |
| Nr. omologazione/Approval Nr./Nr. homologation: | | |
| Nr. identific./Fahrz. Ident. Nr.: | | |
| Massa max. amn./Total edn. weight/Zul. ges. Gew: | kg | |
| Massa 1'asse-occhione/Front/Zul. Achslast Vorn: | kg | |
| Massa 2'asse/2nd axle/Zul. Achslast 2nd: | kg | |
| Massa 3'asse/3rd axle/Zul. Achslast 3rd: | kg | |
| Massa rimorchiabile/Trailer load/Zul. Anhangelast: | kg | |
| ACW7088670 HVJHE0110443201 | | |

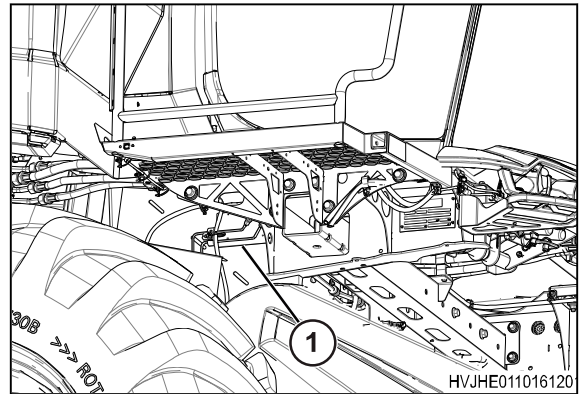
Fig. 10


1.2.8.2 Homologation plate - France

The machine homologation plate (1) is below the cab on the right side.

The homologation plate shows the following information:

- Vehicle type
- Approval number
- VIN (vehicle identification number)
- Total maximum permitted mass
- Mass (on the two axles)
- Towing mass



| | | | |
|--|-------------------|---|----------------|
|  | | AGCO S.p.A. Via Francesco LAVORIDA 15/17 36042 Breganze VI - ITALIA Representant Accredité en France AGCO S.A.S. 41, avenue Blaise Pascal 60000 Beauvais | |
| Your Agriculture Company | | | |
| N° de serie | _____ | | |
| Type | _____ | | |
| Variante | _____ | | |
| Version | _____ | | |
| PTAC | _____ kg | PTRA | _____ kg |
| Masse maximale admissible | | | |
| _____ kg | _____ kg | _____ kg | _____ kg |
| sur l'anneau | sur l'essieu 1 | sur l'essieu 2 | sur l'essieu 3 |
| _____ | _____ | _____ | _____ |
| Receptionne a | Date de reception | N° de reception | |
| _____ | _____ | _____ | |

HVJHE011016080

Fig. 11

1.2.8.3 Combine identification

The machine type and VIN (vehicle identification number)(1) show on the right rear side of the frame near the rear axle.

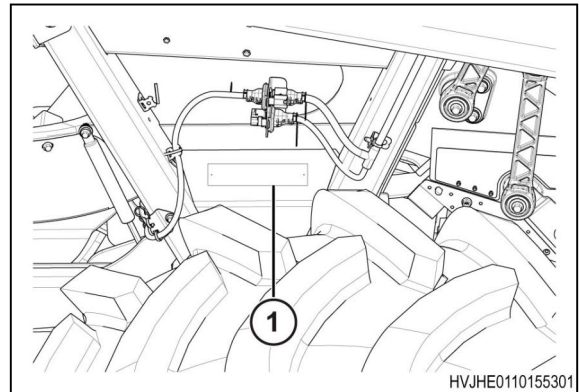


Fig. 12

1.2.8.4 LS pump identification

The identification plate (1) is on the front of the LS pump.

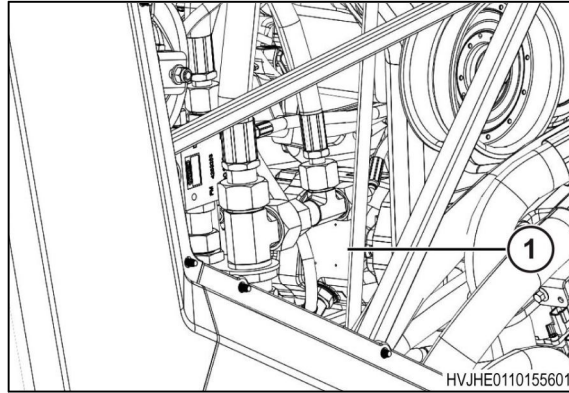


Fig. 13

1.2.8.5 Propel motor identification

The identification plate (1) is on the top part of the propel motor.

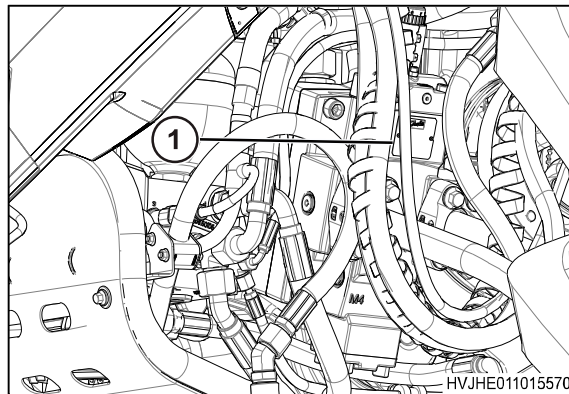


Fig. 14

1.2.8.6 Ground drive transmission identification

The identification plate (1) is on the front of the ground drive transmission.

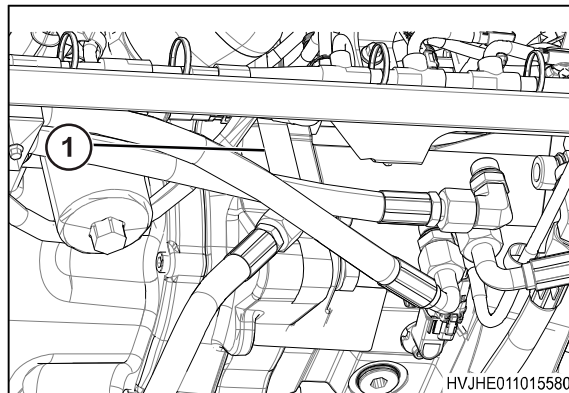


Fig. 15

1.2.8.7 Trailer hitch identification (if equipped)**Rockinger trailer hitch**

The identification plate (1) is located on the right-hand side.

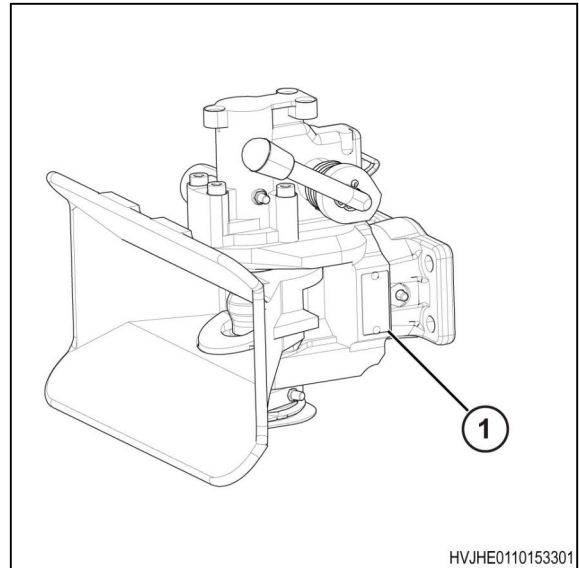


Fig. 16

CUNA trailer hitch

The identification plate (1) is located on the right-hand side.

NOTE:

This type of hitch is only used in the Italian market.

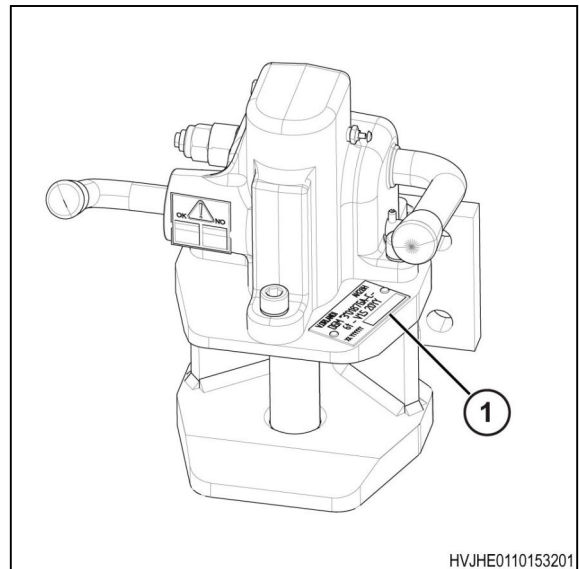


Fig. 17

1.3 Safety

1.3.1 Safety symbol

The safety symbol tells you about a potentially hazardous area!

Look for the safety symbol in this manual and on the machine. The safety symbols tell you that there is important safety instructions in the manual.

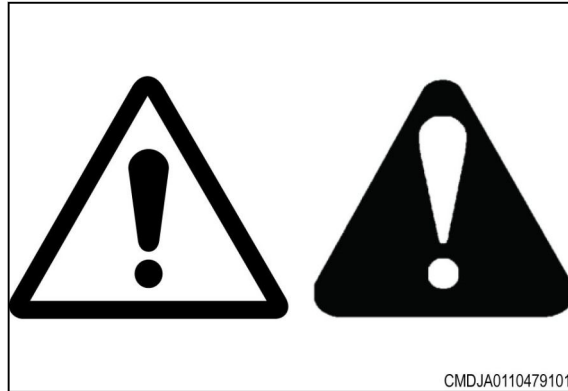


Fig. 18

1.3.2 Warnings

Agricultural accidents can be prevented with your help.

All accident prevention depends on the full co-operation of the persons using or involved with service or maintenance of the machine.

Most accidents can be avoided by observing simple safety rules.

The best safety system is one in which the operator observes all applicable regulations for machine safety and maintenance.

Some of the illustrations contained in this manual were obtained by photographing combine models of the same series, which may be differently equipped. This means that apparent discrepancies may result between your combine and those depicted in this manual.



DANGER: This symbol is used in this manual whenever your safety is involved.

Take the time to read and follow the instructions. Most importantly, be careful!

You can never be too prudent.

In order to provide a better view, certain photographs or illustrations in this manual may show an assembly with the safety guards open or removed.

Fit and close all guards prior to machine operation.

Personal protection

Three types of warning signs appear in this manual and on the decals applied to the machine (**Caution**, **Warning** and **Danger**) followed by specific instructions or decals with symbols clearly illustrating the type of hazard.

These instructions involve your safety and the safety of people working nearby.

Pay particular attention to these warnings.



CAUTION: Indicates a potentially dangerous situation.

If not avoided, it may result in minor injuries.



WARNING: Indicates a potentially dangerous situation.

If not avoided, it may result in serious injuries.



DANGER: Indicates a potentially dangerous situation.

If not avoided, it may result in very serious injuries or even death.

Failure to follow the instructions related to the terms **Caution**, **Warning** and **Danger** may result in minor or serious injuries or even death.

Machine safety

Other types of advice (**Note**, **Important**) are followed by special instructions referring to the safeguarding of the machine.

NOTE:

Highlights and describes correct techniques or procedures to be adopted by the operator.

IMPORTANT:

Informs the operator that unless a special procedure is followed, damage, including serious damage, could be caused to the machine.

1.3.3 Safety signs



WARNING:

Do not remove the safety signs. Replace safety signs that you cannot read, are damaged, or are missing.

Clean the machine surface with a weak soap and water solution before you replace the safety signs. Replacement safety signs are available from your dealer.

Always make sure that safety signs are in the correct locations and that you can read the safety signs. Illustrations of safety sign locations are in this section.

Keep the safety signs clean. If necessary, use a weak soap and water solution.

1.3.4 A word to the technician

Read and understand the safety section in this service manual before operating or servicing the machine. Read and understand the safety sections in the manuals for all attachments before operating or servicing attachments. The technician has the key to safety. Good safety practices protect everyone.

Study the safety information in this service manual. Make the safety information a working part of the safety program. The safety information in this service manual applies specifically to this type of machine. Always do all other usual and customary safe working precautions. Remember - The technician has the responsibility for safety. Good safety practices can prevent serious injury or death.

The safety section points out some basic safety situations that can occur during the operation and maintenance of the machine. The safety section also suggests possible ways to deal with these situations. The safety section does not replace safety practices in other parts of this service manual.

Practice good safety to help prevent injury or death.

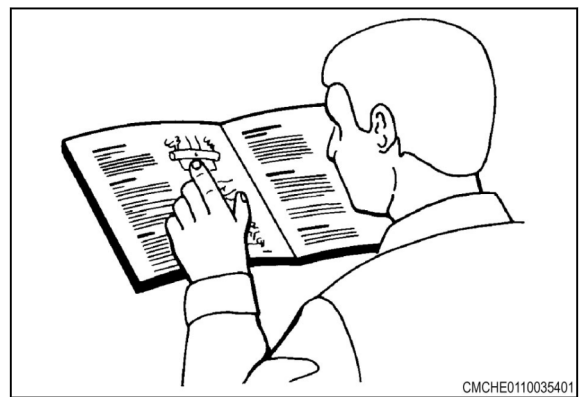


Fig. 19



Suggest:

For more complete manuals. Please go to the home page.

<https://www.ebooklibonline.com>

If the above button click is invalid. Please download this document first, and then click the above link to download the complete manual.

Thank you so much for reading

1. General

Learn how to operate the machine and how to use the controls correctly.

Do not let other persons operate the machine without instruction and training.

Follow all safety precautions and instructions in the manuals and on safety signs affixed to the machine and all attachments.

Use only approved attachments and equipment.

Make sure the machine has the correct equipment needed by the local regulations.



WARNING:

An operator should not use alcohol or drugs which can affect their alertness or coordination. An operator on prescription or 'over the counter' drugs needs medical advice on whether or not they can properly operate machines. If any attachments used on this equipment have a separate Operator Manual, see that manual for other important safety information.

1.3.5 The service manual

Read the table of contents and basic layout. Become familiar with all parts of this service manual. This service manual gives the technician very important information.

Machine movement when in normal use determines right-hand and left-hand.

This manual covers general safety practices for this machine.

The photos, illustrations, and data used in this manual were current at the time of printing. Inline production changes can make machines vary from the information in the service manual. The manufacturer reserves the right to redesign and change the machine as necessary without notification.



WARNING:

In some of the illustrations and photos used in this manual, shields or guards may have been removed for clarity. Never operate the machine with any shields or guards removed. If the removal of shields or guards is necessary to make a repair, they must be replaced before operation.

1.3.6 Prepare for operation

Read and understand the operating instructions and precautions in this manual before you operate or perform service on the machine.

Make sure that you know and understand the positions and operations of all controls. Make sure that all controls are in neutral and the parking brake is applied before you start the machine. Make sure that the steering wheel is in the center position and locked.

Make sure that all persons are a sufficient distance from your area of work before you start or operate the machine. Do checks on the controls and learn all controls in an area clear of persons and objects before you start work with the machine. Know the dimensions of the machine and have sufficient space available for operation. Do not operate the machine at high speeds around persons, buildings, other equipment, etc.

Always use correct procedures when you do tasks around and operate the machine. Do not let children or persons who do not know how to operate the machine operate the machine. Keep other persons away from your area of work. Do not let other persons ride on the machine.

Make sure that the machine is in the good mechanical condition. Make sure that the machine has the correct equipment as necessary by local regulations.

All equipment has a limit. Make sure you understand the speed, brakes, steering, stability, and load characteristics of this equipment before you start.

1.3.7 General information

When parking, park the machine on a solid level surface and lower the header to the ground. Put all controls in neutral, center and lock the steering wheel, and apply the parking brake. Stop the engine and take the key with you.



WARNING: Whole body crushing hazard. A loss of hydraulic pressure or movement of the mechanism can cause the raised machine component to fall.

Personal injury or death can occur.

Install the lift cylinder stops before working on the machine to prevent movement.

Make sure the machine is in the proper operating condition according to the Operator Manual.

Always operate the machine with the control console turned on.

Do not dismount from moving machinery.

Stay off slopes too steep for operation.

Be aware of the size of the machine and have enough space available to allow for operation.

Pay special attention because some activated devices (open grain tank extensions, open grain unloading auger, fully raised header, etc.) may affect the stability of the machine.

Do not use the machine in the following situations:

- When the maximum slope of the ground exceeds the maximum slope limit of the machine.
- If the correct tire pressures and correct operation of the levelling system (if equipped) has not been verified.
- If the ground is not firm or has sudden contour changes.
- The tires do not have sufficient traction on the ground.
- Close to the edge of ditches or steep drops.

Stay off slopes too steep for operation. Keep the header as low as possible while going down hills. Never suddenly reverse the wheels to stop or back up.

Where possible avoid operating the machine near ditches, embankments, and holes. Reduce ground speed when operating on rough, slippery, or muddy surfaces and when turning or crossing slopes.

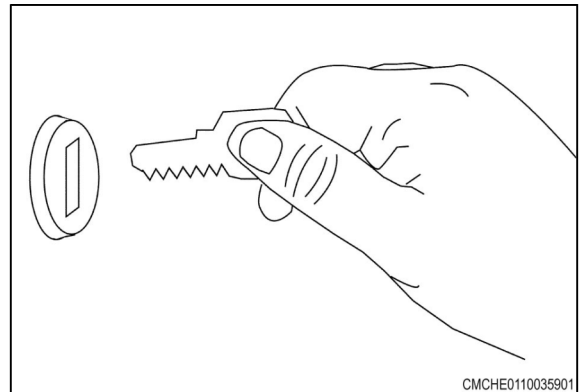


Fig. 20

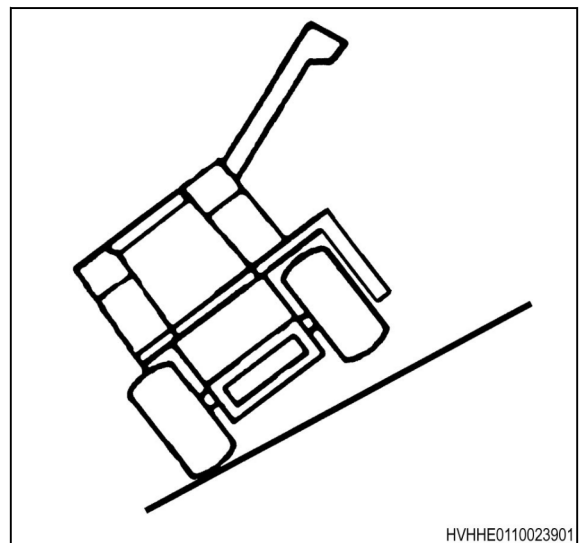


Fig. 21

<https://www.ebooklibonline.com>

Hello dear friend!

Thank you very much for reading.

Enter the link into your browser.

The full manual is available for immediate download.

<https://www.ebooklibonline.com>