

Operator's Manual

FENDT

IDEAL Series Combine

IDEAL 7

IDEAL 7PL

IDEAL 7T

IDEAL 8

IDEAL 8PL

IDEAL 8T

IDEAL 9

IDEAL 9PL

IDEAL 9T



Breganze

AGCO S.p.A. - Via F. Laverda, 15/17 - 36042

BREGANZE (VI) – Italy.

FENDT is a worldwide brand of AGCO

© AGCO 2019

Original Operator's Manual

September 2019

79037446B

SA

English

TABLE OF CONTENT

Safety 1
Introduction 2
Operation 3
Maintenance and Lubrication 4
Troubleshooting 5
Specifications 6
Accessories 7
Assembly 8
Index 9

1 Safety

1.1	Safety icons	19
1.2	Warnings	20
1.3	A word to the operator	21
1.4	Safety instructions	23
1.4.1	Engine safety instructions	23
1.5	Operation	24
1.5.1	Prepare for operation	24
1.5.2	General information	24
1.5.3	Emergency situations	25
1.5.4	Personal protective equipment	25
1.5.5	Seat safety	26
1.5.6	Operator not on the operator's seat	26
1.5.7	Shields and safety guards	26
1.5.8	Exhaust warnings	27
1.5.9	Ejected material	27
1.5.10	Handrails	27
1.5.11	Header safety	28
1.5.12	Grain tank safety	28
1.5.13	Chaff spreader and straw chopper safety	28
1.5.14	Procedure if the machine touches a high-voltage source	29
1.6	Drive the machine on the road	30
1.7	Safe maintenance	31
1.7.1	Operator maintenance	31
1.7.2	General maintenance information	31
1.7.3	How to prevent fires and fire equipment	31
1.7.4	High pressure leaks	32
1.7.5	Fuel Safety	32
1.7.5.1	Ultra-Low Sulfur Diesel	33
1.7.6	Engine maintenance safety	33
1.7.7	Battery safety	34
1.7.8	Accumulator safety	35
1.7.9	Tire safety	35
1.8	Additional safety information	36
1.8.1	Noise emissions	36
1.8.2	Vibrations in the cab	36
1.8.3	Electromagnetic emissions	37
1.8.4	Statutory law	37
1.9	Safety decals	38
1.10	Safety devices	47
1.10.1	Wheel chocks	47
1.10.2	Emergency exit and emergency exit tool	47
1.10.3	Seat belts	47
1.10.4	Handrails	48
1.10.5	Safety stop for the header lift cylinder	49
1.10.6	Engage the safety stop for the header lift cylinder	49
1.10.7	Disengage the header lift cylinder safety stop	50
1.10.8	Shield tool	51
1.10.9	Warnings for the ParaLevel system	51
1.10.10	Reverse alarm	52

<https://www.ebooklibonline.com>

Hello dear friend!

Thank you very much for reading.

Enter the link into your browser.

The full manual is available for immediate download.

<https://www.ebooklibonline.com>

1.10.11	Fire extinguisher	52
1.11	Dangerous areas	53

1.1 Safety icons

Safety warnings show in the manual with these icons:



DANGER:
This is an immediately hazardous situation which, if you ignore it, will cause death or injury.



WARNING:
This is an immediately hazardous situation which, if you ignore it, can cause death or injury.



CAUTION:
This is an immediately hazardous situation which, if you ignore it, can cause injury.



Fig. 1

Secondary information

2 types of secondary information are shown when necessary.

IMPORTANT: *This identifies special instructions or procedures which, if not followed can cause damage to the machine, the process, or the area around the machine.*

NOTE: *Information to help you do the procedure, or improve your understanding.*

1.2 Warnings

You can prevent most accidents when you obey the warnings and the safety instructions. To increase your safety, and that of others, make sure that:

- Other personnel know that you are on the machine when all maintenance occurs.
- All personnel can see the applicable safety and maintenance instructions.

When compared to your machine, there can be some small differences with the information in this manual.

1.3 A word to the operator

- You must read and understand the safety section in this operator's manual, and the manuals for all implements, before you operate this machine.
- The safety procedures in this manual increases protection to all personnel in and around the machine, while it is in operation or during maintenance.

This safety section:

- Tells you some of the basic hazardous situations that can occur during the usual operation and maintenance of the machine.
- Gives you procedures that can help prevent these hazards.
- Adds to the safety procedures in other sections of this manual.

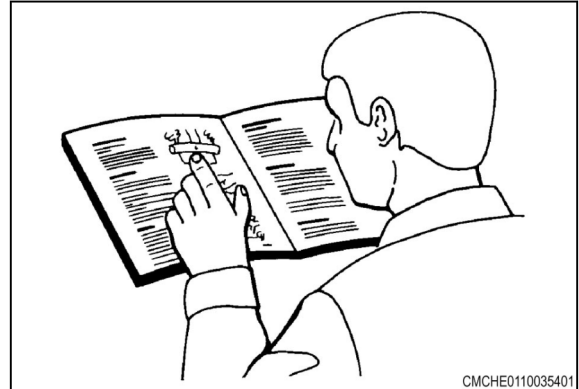


Fig. 2

Precautions:

- Injury or death can occur if you do not obey these precautions.
- Other precautions can be necessary when you attach implements to the machine.
- Other precautions can be necessary when the conditions change in the work area, or area where you do the servicing.
- The manufacturer is not liable for the machine:
 - If you do not use the machine for its intended use.
 - If you do not operate the machine correctly.
 - If you do not do the correct inspections of the machine.
 - If you do not lubricate the machine correctly.
 - If you do not obey the maintenance schedule.
- It is your responsibility to obey the safety procedures when you operate, or do work on the machine.

Before you operate the machine, make sure that you have the approval to use it.

To have the approval to use this machine you must:

- Know how to use it.
- Know the safety instructions.
- Obey the applicable local laws.

There is a minimum age to operate some machines.

It is your responsibility to know these laws and obey them when you operate the machine or if a situation occurs.

For your safety and the safety of others, obey all safety decals and notices on the machine and on all implements.

Only use equipment or implements that have the machine manufacturer's approval.

Make sure that your machine has the correct equipment that is necessary by the local laws.

Do not use alcohol or drugs when you do work with the machine. They decrease your control of the machine.

1. Safety

If you have a medical condition or use medicine, speak to medical personnel to make sure that you are safe to operate the machine.

1.4 Safety instructions

1.4.1 Engine safety instructions

- Make sure that all shields, guards and access doors are in the correct position and closed before you start the engine.
- Make sure that no personnel are near the machine before you start the engine. Operate the horn 2 times before you start the engine to warn personnel.
- Before you start the engine, make sure that:
 - All the controls are in the neutral position.
 - The drive systems are in the disengaged position.
- If you start the engine in a closed area, make sure that there is sufficient airflow.
- Start the engine from the operator seat only.
- Start the engine only with the start switch in the cab.
- If the machine is in gear, the neutral start system makes sure that the engine does not start. If you override this system, it can cause death or injury.
- Do not connect booster cables to the starter motor terminals.
- Do not use starter fluid to start the engine. This can cause:
 - Explosions
 - Injury to personnel
 - Damage to the machine.
- Keep away from the engine while it is in operation. Before you open the engine cover, stop the engine and remove the ignition key.
- Do not smoke, have an open fire, or a source of ignition near the fuel system or batteries.
- Do not touch the exhaust manifold, turbocharger and the other hot parts of the engine.
- Do not operate the engine at the idle speed when it is not necessary.
- Keep the engine surfaces clean to prevent the risk of fire.
- Do not disconnect fuel pipes and hoses when the engine is ON. Stop the engine and wait 30 seconds before you disconnect fuel pipes and hoses.
- The engine contains seals made of viton. If viton is exposed to heat above 300 °C hydrofluoric acid is made. Put on gloves and clean the area with an alkaline fluid to prevent injury.
- Before you do welding on the machine you must disconnect the:
 - Battery
 - Engine electronic control unit
 - Selective Catalyst Reduction (SCR) supply module.

Cleaning instructions

- To prevent damage to the machine, do not clean these components with high pressure fluid:
 - Electrical equipment
 - Fuel system
 - Radiator.
- When you clean the engine, remove unwanted areas of moisture and then operate the engine to dry the remaining moisture.



Fig. 3



Suggest:

For more complete manuals. Please go to the home page.

<https://www.ebooklibonline.com>

If the above button click is invalid. Please download this document first, and then click the above link to download the complete manual.

Thank you so much for reading

1.5 Operation

1.5.1 Prepare for operation

- Read and understand all the instructions in this manual before you operate, or do maintenance on the machine.
- Make sure that you know the positions and operations of all the controls.
- Make sure that all controls are in the neutral position and that you engage the parking brake before you start the machine.
- Make sure that no personnel are in the dangerous areas at all times. Stop the machine if it is necessary.
- Know the dimensions of the machine and have sufficient available space for its operation.
- If you operate the machine in these conditions, it increases the risk of injury to personnel and damage to the machine:
 - At high speeds
 - Around personnel
 - Near buildings
 - Near other equipment or possible blockages.
- Do not let children in or near the machine.
- Do not let persons who are not approved operate the machine.
- Do not let other personnel in, or on the machine when in operation.
- Make sure that the machine is in the correct serviceable condition.
- Obey all local laws. Make sure that the machine has the correct equipment in, or on it.
- All equipment has a limit, make sure that you know the:
 - Speed limits of the machine
 - Distances and limits for the brakes
 - Steering sensitivity
 - Steering limits
 - Machine limits when on a slope
 - Load limits.

1.5.2 General information

When the machine is in operation:

- Make sure that you set the machine components to the correct position when you operate on a slope.
- Do not get out of the machine when it is moving.
- Know the dimensions of the machine and make sure that sufficient space is available to let the machine operate.
- Some of the devices on the machine can make it not stable. Be careful when you engage these devices and operate the machine.
- Keep the header as close to the ground as possible while you go down a slope.
- If it is necessary, put on sufficient weight to balance the machine.
- Do not do sudden movements of the controls when the machine is at high speed or cornering.

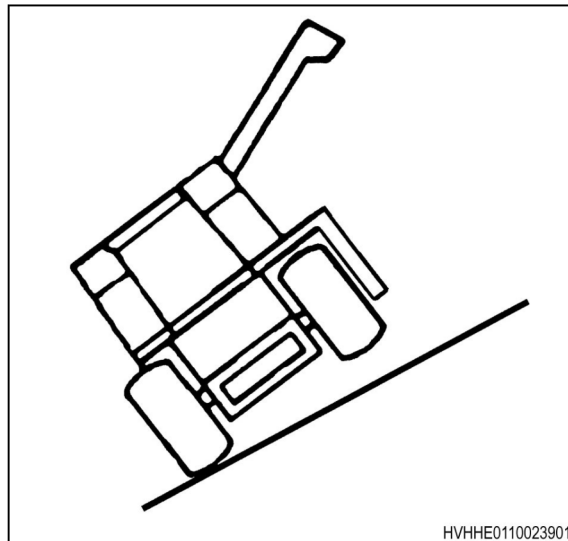


Fig. 4

HVHHE0110023901

- Decrease the ground speed when you:
 - Operate the machine on rough ground
 - Turn the machine
 - Operate the machine on a slope.
- Do not suddenly reverse the wheels to stop.

Do not use the machine in these conditions:

- When the maximum slope of the ground is more than the maximum slope limit of the machine.
- If the level system (optional) malfunctions.
- If the tire pressures are not correct.
- If the ground is not stable or has sudden contour changes.
- The tires do not have sufficient contact with the ground.
- Near to the edge of ditches or steep slopes.
- If the header or applicable devices do not have the safety lock attached.

Related Links

[Drive the machine on the road](#) page 30

1.5.3 Emergency situations

- Stop the engine in all emergency situations.
- Speak to your local emergency aid.
- Use the fire extinguisher, if it is necessary.

Regularly have an inspection by approved personnel of the fire extinguisher for correct operation.

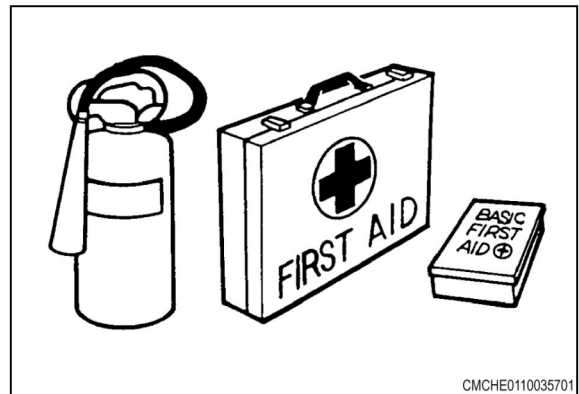


Fig. 5

1.5.4 Personal protective equipment

For your safety, during some operations with this machine, you must use Personal Protective Equipment (PPE). Obey the instructions when you see these safety decals.

- Obey all local regulations and use Personal Protective Equipment (PPE).
- Do not put on loose clothing or other items that can catch in parts that move.

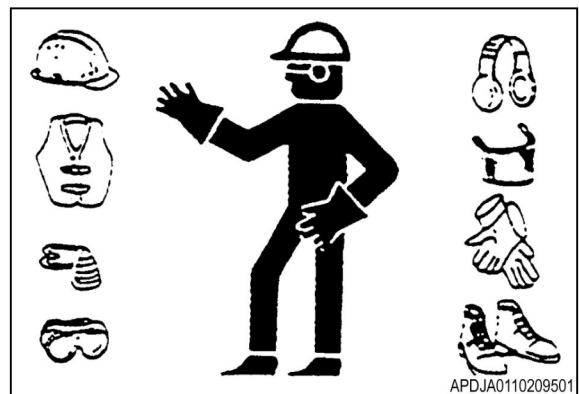


Fig. 6

<https://www.ebooklibonline.com>

Hello dear friend!

Thank you very much for reading.

Enter the link into your browser.

The full manual is available for immediate download.

<https://www.ebooklibonline.com>