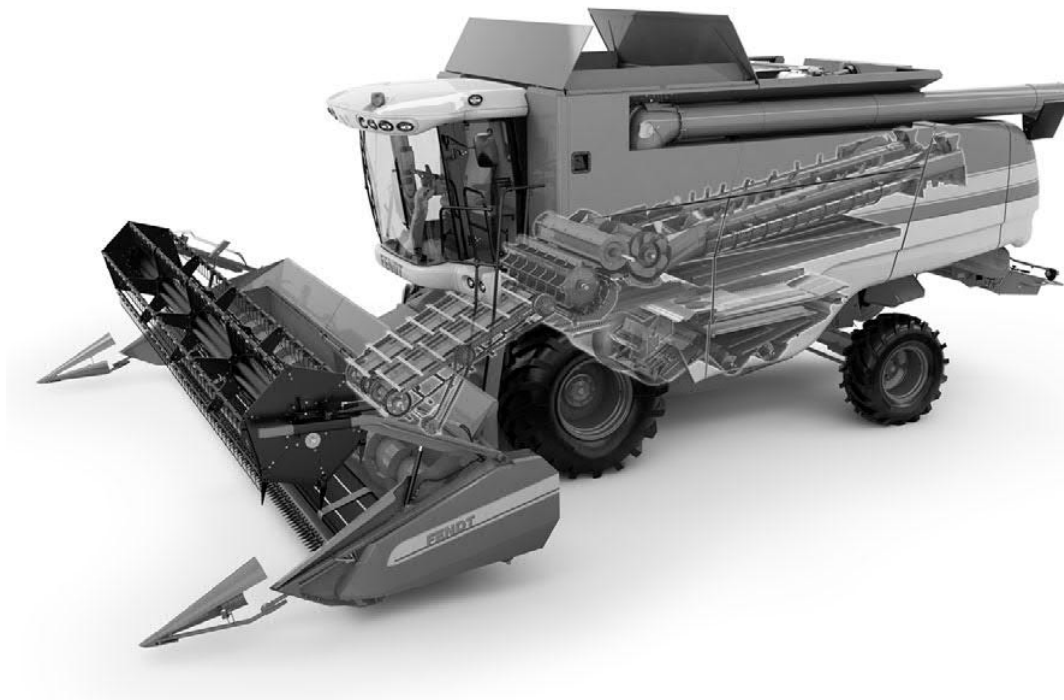


Workshop Manual

Combine Range

FENDT 9470x
+ Auto Level
+ Rotor Feeder



- 0 Introduction - Specifications**
- 1 Cutting table**
- 2 Reel**
- 3 Main crop elevator**
- 4 Threshing unit**
- 5 Rotor unit**
- 6 Shaker shoe - Fanning mill**
- 7 Elevators**
- 8 Engine**
- 9 Unloading auger - Grain tank**
- 10 Drive unit**
- 11 Transmissions**
- 12 Undercarriage**
- 13 Cab**
- 14 Hydraulics**
- 15 Electrical system**
- 16 Straw chopper**
- 17 General assembly instructions**
- 18 Miscellaneous data**

Contents

<https://www.ebooklibonline.com>

Hello dear friend!

Thank you very much for reading.

Enter the link into your browser.

The full manual is available for immediate download.

<https://www.ebooklibonline.com>

Contents

0: Introduction - Specifications	1
0.1 Using the manual	3
0.2 General specifications	4
0.2.1 Tyre pressure	9
0.3 Dimensions and weight	11
0.4 Safety precautions	14
0.4.1 Safety in the workshop	14
0.4.2 Safety - a word to the mechanic	14
0.4.3 Safety - danger, warning and caution	14
0.4.4 Safety decals	14
0.4.5 General	14
0.4.6 Personal safety	14
0.4.7 Considerations with regard to equipment	15
0.4.8 General considerations	16
0.4.9 Operational considerations	16
0.4.10 Maintenance techniques	17
0.5 Practical advice	18
0.6 Start-up instructions	21
0.6.1 General	21
0.6.2 Pre-delivery checks	21
0.6.3 Instruction of combine operator	22
0.7 Conversion tables	25
0.7.1 Conventional units of measurement	25
0.8 Locking and sealing agents	27
0.9 Wheel nut torques	28
0.9.1 Wheels	28
0.9.2 Bolts with metric threads	29
0.9.3 Nuts with metric threads	30
1: Cutting table	31
1.1 General	33
1.2 Knife drive - wobble box	34
1.2.1 Removal	34
1.2.2 Assembly	35
1.2.3 Reconditioning the wobble box	36
1.2.4 Positioning the double fingers, knife and crop lifters	42
1.3 Table auger	43
1.3.1 Removal	43
1.3.2 Assembly	43
1.3.3 Replacing the shaft on the right-hand side	44
1.3.4 Replacing the shaft on the left-hand side	45
1.3.5 Replacing the crankshaft	45
1.3.6 Replacing the feathering fingers, bearings and bushes	46
1.3.7 Adjusting the table auger and feathering fingers	47
1.4 Table body	48
1.4.1 Adjusting the cut-off strips	48
1.4.2 Adjusting and positioning the ground sensor - PowerFlow	49
1.5 Slip clutch and chain drive	51
1.5.1 Removal	51
1.5.2 Assembly	51
1.5.3 Replacing the bearings and sprockets	52
1.6 Countershaft	53
1.6.1 Removal	53
1.6.2 Assembly	54
1.7 PowerFlow table	55
1.7.1 Removal, belts	56
1.7.2 Assembly, belts	58
1.7.3 Replacing the front rollers and bearings, scraper adjustment	60

Contents

1.7.4	Replacing the rear rollers and bearings, scraper adjustment	62
1.7.5	Replacing and aligning the bearing housing, rear rollers	62
1.7.6	Belt tensioning and running-in	64
2:	Reel	67
2.1	Reel	69
2.1.1	Removal	69
2.1.2	Assembly	70
2.1.3	Replacing the reel tine bar and plastic bearings	71
2.1.4	Replacing the guide rollers, eccentric, guide ring and bearings	72
2.1.5	Replacing the reel plates	73
2.1.6	Replacing the reel tube, bearings	73
2.2	Oil motor and chain drive	74
2.2.1	Replacing the oil motor	74
2.2.2	Replacing the flow divider	75
2.3	Hydraulic cylinders	78
2.3.1	Replacing the cylinder – reel up/down	78
2.3.2	Replacing the cylinder – reel forward/back	79
2.3.3	Reconditioning the hydraulic cylinders	79
3:	Main crop elevator	85
3.1	General	87
3.2	Main crop elevator	88
3.2.1	Removal	88
3.2.2	Assembly	89
3.2.3	Bearing block on machine frame	90
3.2.4	Replacing the lifting ram	90
3.2.5	Reconditioning the hydraulic cylinder	91
3.2.6	Replacing the cutting height preset sensor	92
3.3	Crop elevator chain	93
3.3.1	Removal	93
3.3.2	Assembly	93
3.3.3	Replacing the slats	94
3.3.4	Replacing the slide rails in the crop elevator	94
3.3.5	Replacing the intermediate plate	94
3.4	Elevator chain top shaft	95
3.4.1	Removal	95
3.4.2	Assembly	95
3.4.3	Replacing the bearings	96
3.4.4	Replacing the sprockets	97
3.4.5	Replacing the shaft protection tube	98
3.5	Elevator chain front shaft	99
3.5.1	Removal	99
3.5.2	Assembly	99
3.5.3	Replacing the shaft, bearings and plate wheels	100
3.6	Elevator countershaft	101
3.6.1	Removal	101
3.6.2	Assembly	102
3.6.3	Replacing the bearings and sprockets	102
3.7	Table clutch and chain drive	103
3.7.1	Removal	103
3.7.2	Assembly	103
3.7.3	Reconditioning the clutch	103
3.8	Adapter	104
3.8.1	Removal	104
3.8.2	Assembly	105
3.8.3	Replacing the cylinder/connecting rod	105
3.8.4	Reconditioning the hydraulic cylinder	106
3.8.5	Replacing the angle sensor	107

Contents

3.9	Hydraulic reversing	108
3.9.1	Removal	108
3.9.2	Assembly	108
4:	Threshing unit.....	109
4.1	General	111
4.2	Stone trap	112
4.2.1	Removal	112
4.2.2	Assembly	112
4.3	Concave	113
4.3.1	Removal	113
4.3.2	Assembly	113
4.3.3	Adjusting the concave laterally	114
4.3.4	Concave setting - initial setting	114
4.3.5	Replacing the actuator	115
4.3.6	Replacing the lead-in plate	115
4.3.7	Replacing the shaft for concave setting	116
4.4	Threshing cylinder	117
4.4.1	Removal	117
4.4.2	Assembly	118
4.4.3	Replacing the bearings	119
4.4.4	Replacing the rasp bars and backing bars	120
4.4.5	Replacing the shaft and cylinder spiders	120
4.5	Cylinder variator – table clutch	121
4.5.1	Removal, hydraulic variator	121
4.5.2	Assembly, hydraulic variator	121
4.5.3	Reconditioning the hydraulic variator pulley	122
4.5.4	Removal, mechanical variator	124
4.5.5	Assembly, mechanical variator	124
4.5.6	Reconditioning the mechanical variator pulley	125
4.5.7	Removal, magnetic clutch	126
4.5.8	Assembly, magnetic clutch	127
4.5.9	Reconditioning the magnetic clutch	128
4.6	Bracket for counter drive	130
4.6.1	Removal	130
4.6.2	Assembly and alignment	130
4.7	Rear beater	131
4.7.1	Removal	131
4.7.2	Assembly	132
4.7.3	Replacing the bearings	133
4.8	Rear beater concave	134
4.8.1	Removal	134
4.8.2	Assembly	134
4.9	Rotor Feeder	135
4.9.1	Removal	135
4.9.2	Assembly	136
4.9.3	Replacing the bearings	137
4.9.4	Service access to Rotor Feeder	138
4.10	Rotor Feeder concave	138
4.10.1	Removal	138
4.10.2	Assembly	138
5:	Rotor unit.....	139
5.1	General	141
5.2	Rotor variator	142
5.2.1	Removal, hydraulic variator	142
5.2.2	Assembly, hydraulic variator	142
5.2.3	Reconditioning the hydraulic variator pulley	143
5.2.4	Removal, mechanical variator	144

Contents

5.2.5	Assembly, mechanical variator	144
5.2.6	Reconditioning the mechanical variator pulley	144
5.2.7	Replacing and reconditioning the magnetic clutch	145
5.3	Shaft for mechanical variator	147
5.3.1	Removal	147
5.3.2	Assembly	147
5.4	Right-angle gear	148
5.4.1	Removal	148
5.4.2	Assembly	149
5.5	Rotor	150
5.5.1	Removal	150
5.5.2	Assembly	151
5.5.3	Replacing the front bearing	151
5.6	Rotor cage	152
5.6.1	Removal	152
5.6.2	Assembly	154
5.6.3	Replacing grate sections	154
6:	Shaker shoe - Fanning mill	155
6.1	General	157
6.2	Fanning Mill	158
6.2.1	Removal	158
6.2.2	Assembly	159
6.2.3	Replacing the fan blades	160
6.2.4	Replacing the fanning mill deflector plates	160
6.2.5	Replacing the seals	160
6.3	Main grain pan frame	161
6.3.1	Removal	161
6.3.2	Assembly	162
6.3.3	Replacing the swivel arm and bearings	162
6.3.4	Replacing the seals	163
6.4	Second grain pan	164
6.4.1	Removal	164
6.4.2	Assembly	164
6.4.3	Replacing the swivel arm and bearings	165
6.4.4	Adjusting second grain pan	166
6.5	Top shaker shoe	168
6.5.1	Removal	168
6.5.2	Assembly	169
6.5.3	Replacing the swivel arm and bearings	170
6.5.4	Replacing the seals	170
6.5.5	Replacing and calibrating the actuator - sieves	171
6.6	Bottom shaker shoe	172
6.6.1	Removal	172
6.6.2	Assembly	173
6.6.3	Replacing the swivel arm and bearings	173
6.6.4	Replacing the seals	174
6.6.5	Electric sieve setting – initial setting	174
6.7	Bottom augers	175
6.7.1	Removal	175
6.7.2	Assembly	175
6.8	Eccentric drive	176
6.8.1	Removal	176
6.8.2	Assembly	177
6.8.3	Adjusting the connecting rod / aligning the shaker shoes	178
6.8.4	Replacing the connecting rod bearing	179
6.8.5	Replacing the bearings and eccentric shaft	180
6.9	Transmissions	181
6.9.1	Replacing and reconditioning the fanning mill variator	181

Contents

6.9.2	Adjusting the fanning mill variator	182
6.9.3	Replacing and reconditioning the counter drive	183
7:	Elevators	185
7.1	Tank filling elevator	186
7.1.1	Removal	186
7.1.2	Assembly	187
7.1.3	Replacing the top shaft, bearings and sprockets	188
7.1.4	Replacing the bottom sprocket	188
7.1.5	Replacing the elevator chain	189
7.1.6	Moisture sensor	189
7.1.7	Yieldmeter sensor	190
7.2	Returns elevator	191
7.2.1	Removal	191
7.2.2	Assembly	191
7.2.3	Replacing the top shaft, bearings and sprockets	192
7.2.4	Replacing the bottom sprocket	192
7.2.5	Replacing the elevator chain	192
7.2.6	Returns volume sensor	192
7.3	Returns thresher	193
7.3.1	Removal	193
7.3.2	Assembly	193
7.3.3	Replacing the sprockets	193
7.3.4	Replacing the threshing cylinder	193
7.3.5	Reconditioning the right-angle gear	194
7.4	Tank filling auger	196
7.4.1	Removal	196
7.4.2	Assembly	196
7.4.3	Replacing the top bearing	196
7.4.4	Reconditioning the right-angle gear	197
7.5	Transmission	198
7.5.1	Replacing the shaft, bearings and sprockets	198
8:	Engine	199
8.1	General	201
8.2	Replacing the engine	202
8.2.1	Removing the engine assembly	202
8.2.2	Fitting the engine assembly	205
9:	Unloading auger - Grain tank	207
9.1	Unloading auger - horizontal	209
9.1.1	Removal	209
9.1.2	Assembly	209
9.2	Unloading auger - vertical	210
9.2.1	Removal	210
9.2.2	Assembly	210
9.2.3	Reconditioning the right-angle gear	211
9.3	Unloading tube - horizontal	212
9.3.1	Removal	212
9.3.2	Assembly	212
9.4	Unloading tube - vertical	213
9.4.1	Removal	213
9.4.2	Assembly	213
9.4.3	Replacing the swivel bearing	214
9.4.4	Replacing the hydraulic cylinder	215
9.4.5	Reconditioning the hydraulic cylinder	216
9.5	Unloading tube elbow	217
9.5.1	Removal	217
9.5.2	Assembly	217

Contents

9.5.3	Reconditioning the right-angle gear	217
9.6	Bottom auger and cover plate	219
9.6.1	Removal	219
9.6.2	Assembly	219
9.6.3	Replacing the bearings, safety clutch	220
9.7	Transmission	221
9.7.1	Replacing the unloading auger shaft, bearings	221
9.7.2	Replacing and reconditioning the magnetic clutch	221
9.8	Grain tank covers	224
9.8.1	Removal	224
9.8.2	Assembly	224
10:	Drive unit	225
10.1	Radiator - Intercooler	227
10.1.1	Removal	227
10.1.2	Assembly	227
10.2	Oil cooler	228
10.2.1	Removal	228
10.2.2	Assembly	228
10.3	Condenser – air conditioning	229
10.3.1	Removal	229
10.3.2	Assembly	229
10.4	Rotary screen	230
10.4.1	Removal	230
10.4.2	Assembly	231
10.4.3	Adjusting the rotary screen and cleaning blade	232
10.4.4	Replacing the drive shaft and clutch	233
10.5	Dust aspirator	236
10.5.1	Removal	236
10.5.2	Assembly	236
10.6	Hydrostatic pump	237
10.6.1	Removal	237
10.6.2	Assembly	239
10.6.3	Tensioning device	240
10.7	Auxiliary hydraulic pump	241
10.7.1	Removal	241
10.7.2	Assembly	241
10.8	Hydraulic pump - Maxi Spreader	242
10.8.1	Removal	242
10.8.2	Assembly	242
10.9	Hydraulic oil tank	243
10.9.1	Removal	243
10.9.2	Assembly	243
10.10	Fuel tank	244
10.10.1	Removal	244
10.10.2	Assembly	244
10.10.3	Tank gauge	244
10.11	AdBlue tank	245
10.11.1	Removal	245
10.11.2	Assembly	245
10.11.3	Supply module	245
10.11.4	Dosing module	246
10.11.5	Tank sensor	246
10.12	Compressor – air conditioning	247
10.12.1	Removal	247
10.12.2	Assembly	247
10.13	Power take-off	248
10.13.1	Removal	248
10.13.2	Assembly	248

Contents

10.13.3	Replacing the swivel bearing	248
10.13.4	Replacing the output shaft/bearings	249
11:	Transmissions	251
11.1	General	253
11.2	Countershaft.	254
11.2.1	Removal.	254
11.2.2	Assembly	255
11.2.3	Replacing the bearings.	256
11.2.4	Reconditioning the safety clutch	256
11.3	Replacing the belts, right-hand side	257
11.3.1	Rear beater - counter drive, cylinder variator	257
11.3.2	Counter drive, variator - threshing cylinder	258
11.3.3	Rear beater - rotary separator	259
11.3.4	Fanning mill - fanning mill variator	260
11.3.5	Rear beater - fanning mill variator	260
11.3.6	Unloading auger shaft - unloading auger	261
11.3.7	Unloading auger shaft - rotary screen clutch	262
11.3.8	Unloading auger shaft - dust aspirator	263
11.3.9	Countershaft - counter drive, elevators	264
11.3.10	Rotor countershaft - right-angle gear	264
11.4	Replacing the chains, right-hand side	265
11.4.1	Counter drive, elevators - returns elevator.	265
11.4.2	Counter drive, elevators - tank filling elevator	265
11.4.3	Counter drive, elevators - tank filling auger	265
11.4.4	Returns elevator - returns thresher	266
11.4.5	Reel drive	266
11.5	Replacing the belts, left-hand side.	267
11.5.1	Countershaft - rear beater	267
11.5.2	Countershaft - counter drive, straw chopper	267
11.5.3	Counter drive - straw chopper	268
11.5.4	Engine - countershaft.	269
11.5.5	Rear beater - countershaft, shaker shoe drive.	270
11.5.6	Countershaft, shaker shoe drive - eccentric shaft	271
11.5.7	Engine - rotor countershaft	271
11.5.8	Rear beater - elevator chain top shaft	272
11.5.9	Engine - unloading auger shaft.	272
11.5.10	Engine - hydrostatic pump	273
11.5.11	PTO shaft – table countershaft	274
11.5.12	Table countershaft - knife drive	275
11.5.13	Countershaft - hydraulic pump, chaff spreader	275
11.6	Replacing the chains, left-hand side	276
11.6.1	Table countershaft - table auger	276
11.6.2	Elevator chain top shaft - elevator countershaft	276
11.6.3	Table auger - belt rollers (PowerFlow)	277
11.6.4	Hydraulic motor, reversing - elevator countershaft	278
11.6.5	Bottom auger – unloading auger	279
12:	Undercarriage	281
12.1	Auto Level final drive bracket.	283
12.1.1	Removal.	283
12.1.2	Assembly	284
12.1.3	Replacing the bushing	286
12.1.4	Replacing the hydraulic cylinder.	287
12.1.5	Reconditioning the hydraulic cylinder	288
12.1.6	Adjusting the Auto Level potentiometer	289
12.2	Final drives.	290
12.2.1	Removal.	290
12.2.2	Assembly	290
12.2.3	Reconditioning the final drives.	292

Contents

12.3	Gearbox	295
12.3.1	Removal	295
12.3.2	Assembly	296
12.3.3	Replacing the shifter cylinders and sensor	297
12.3.4	Adjusting the shifter cylinders and sensor	298
12.3.5	Replacing the lubrication pump	302
12.3.6	Replacing the shifter forks	303
12.3.7	Reconditioning the differential	304
12.3.8	Reconditioning the gearbox	308
12.4	Hydrostatic motor	311
12.4.1	Removal	311
12.4.2	Assembly	311
12.5	Brakes	312
12.5.1	Replacing the brake blocks	312
12.5.2	Replacing the brake discs	313
12.5.3	Bleeding the brakes	315
12.5.4	Brake pedals and main cylinder	316
12.5.5	Replacing the handbrake shoes	319
12.5.6	Adjustment of hydraulic hand brake	320
12.6	Rear axle	321
12.6.1	General	321
12.6.2	Removal	321
12.6.3	Assembly	321
12.6.4	Replacing the king pins and bushings	322
12.6.5	Replacing the steering cylinder	323
12.6.6	Reconditioning the hydraulic cylinder	323
12.6.7	Adjusting the toe-in and steering deflection	324
13:	Cab	327
13.1	Multi-function lever and control panel	328
13.1.1	Control panel	328
13.1.2	Armrest	329
13.1.3	Multi-function lever	330
13.2	Replacing the windscreen	332
13.3	Control panel in roof	333
13.4	Roof	334
13.4.1	Outer roof	334
13.4.2	Inspection doors	334
13.4.3	Replacing the windscreen wiper	335
13.4.4	Replacing the blower	335
13.4.5	Replacing the heating element/tap	336
13.4.6	Replacing evaporator	336
13.5	Troubleshooting – Climate control	337
13.5.1	Climate control faults in general	337
13.5.2	ECS – Electronic control unit	337
13.5.3	Troubleshooting table	338
14:	Hydraulics	341
14.1	General	343
14.1.1	Emptying and filling the hydrostatic system	346
14.1.2	Running in and bleeding the hydrostatic system	348
14.1.3	Running in and bleeding the auxiliary hydraulics	348
14.2	Hydrostatic system	351
14.2.1	Hydraulic pump	351
14.2.2	Oil motor	351
14.2.3	Oil cooler	351
14.2.4	Hydraulic oil filter	353
14.3	Gearshift	355
14.3.1	Hydraulic cylinders - gearshift	355



Suggest:

For more complete manuals. Please go to the home page.

<https://www.ebooklibonline.com>

If the above button click is invalid. Please download this document first, and then click the above link to download the complete manual.

Thank you so much for reading

Contents

14.3.2	Hydraulic valves - gearshift	355
14.4	Hand brake	357
14.4.1	Hydraulic valve - hand brake	357
14.4.2	Hydraulic cylinder - hand brake	357
14.5	Auxiliary hydraulics	359
14.5.1	Hydraulic pump	359
14.5.2	Hydraulic oil tank and return oil filter	359
14.5.3	Oil cooler	359
14.5.4	Hydraulic valve - main valve	361
14.6	Cutting table	363
14.6.1	Hydraulic cylinders - table up/down	363
14.6.2	Pressure accumulators - cutting table	363
14.6.3	Hydraulic valve - table up/down (standard machine)	363
14.6.4	Hydraulic valve - table up/down (Auto Level machine)	365
14.6.5	Hydraulic cylinder - table levelling	367
14.6.6	Pressure accumulators - levelling	367
14.6.7	Hydraulic valve - levelling	367
14.7	Auto Level	369
14.7.1	Hydraulic cylinders - machine levelling	369
14.7.2	Hydraulic valve - machine up/down/levelling	371
14.8	Reel	373
14.8.1	Hydraulic cylinders - reel up/down	373
14.8.2	Hydraulic valve - reel up/down	373
14.8.3	Hydraulic cylinders - reel fore/aft	375
14.8.4	Hydraulic valve - reel fore/aft	375
14.8.5	Oil motor	377
14.8.6	Flow divider	377
14.8.7	Rape auger	377
14.9	Steering	379
14.9.1	Hydraulic cylinders - steering	379
14.9.2	Orbitrol steering valve	379
14.10	Cylinder variator	381
14.10.1	Cylinder variator	381
14.10.2	Hydraulic valve - cylinder variator	381
14.11	Rotor variator	383
14.11.1	Rotor variator	383
14.11.2	Hydraulic valve - rotor variator	383
14.12	Unloading auger	385
14.12.1	Hydraulic cylinder - unloading auger	385
14.12.2	Hydraulic valve - unloading auger	385
14.13	Reversing	387
14.13.1	Oil motor	387
14.13.2	Hydraulic valve - reversing	387
14.14	Chaff spreader	389
14.14.1	Hydraulic pump	389
14.14.2	Oil motors	389
14.15	Maxi Spreader	391
14.15.1	Hydraulic pump	391
14.15.2	Solenoid valves	391
14.15.3	Hydraulic motor	392
14.16	Troubleshooting - hydrostatic transmission	393
14.16.1	Hydrostatic transmission faults in general	393
14.16.2	Pump and motor specifications	393
14.16.3	Functional diagram, HPV pump - HMF motor	395
14.16.4	Connecting test equipment	397
14.16.5	Troubleshooting table	398
14.16.6	Checking the charge pump	399
14.16.7	Checking the high pressure valves	399
14.16.8	Checking the high pressure valve	400

Contents

14.16.9	Checking the servo control	400
14.16.10	Checking the hydraulic pump	401
14.16.11	Checking the hydraulic motor	402
15:	Electrical system	403
15.1	General	405
15.2	Description of FIELDSTAR	406
15.3	Electric box	407
15.3.1	Replacing the terminal	407
15.3.2	Replacing the job computers	407
15.4	Calibrations	410
15.4.1	Speed calibration	410
15.4.2	Calibrating the concave	411
15.4.3	Shaft alarm calibration	411
15.4.4	Calibrating the electrical sieves	411
15.4.5	Calibrating the electrical straw deflectors	412
15.4.6	Calibrating the Auto Level combine	413
15.4.7	Table calibration	413
15.5	Diagrams overview	415
15.6	Wiring diagrams	418
15.7	Diagrams - computer input/output	431
15.8	Connectors	434
15.9	W-connecting points	439
15.10	Components	440
15.11	Key to symbols	509
15.12	Wiring overview	510
16:	Straw chopper	555
16.1	General	556
16.1.1	Replacing and calibrating the electric actuator – straw deflectors	556
17:	General assembly instructions	557
17.1	Fitting gib-head keys	559
17.2	Fitting tightening pins	560
17.3	Fitting hydraulic pipes and screw connections	561
17.4	Fitting a flanged bearing with locking collar	563
17.5	Fitting sliding bushings	564
17.6	Removing the revolution sensor	565
17.7	Fitting tightening rings	566
18:	Miscellaneous data	567
18.1	General	569
18.2	Speeds - adjustment values	570
18.3	Maintenance	571
18.3.1	Lubrication chart	571
18.3.2	Lubrication points, left-hand machine side	578
18.3.3	Lubrication points, right-hand machine side	592
18.3.4	Recommended lubricants	606
18.3.5	Gear	607
18.3.6	Air Conditioning	609

<https://www.ebooklibonline.com>

Hello dear friend!

Thank you very much for reading.

Enter the link into your browser.

The full manual is available for immediate download.

<https://www.ebooklibonline.com>