
OPERATOR'S MANUAL

FENDT

FENDT 5275 C ab Seriennummer 553910001

FENDT 5275 C PL ab Seriennummer 554010001

FENDT 5275 C PLI ab Seriennummer 554010001

FENDT 6335 C ab Seriennummer 564010001

FENDT 6335 C PL ab Seriennummer 564110001



TABLE OF CONTENT

- General Information 1
- Safety 2
- Operation 3
- Controls and Instruments 4
- Field Operations 5
- Lubrication and Maintenance 6
- Adjustments 7
- Systems 8
- Troubleshooting 9
- Off-Season Storage 10
- Optional equipment 11
- Technical Specifications 12

1. General Information

1.1	information	11
1.1.1	Customer information	11
1.2	Use	13
1.2.1	Use of the combine	13
1.3	Trailer hitch	15
1.3.1	Combine identification	15
1.4	Conformity	20
1.4.1	EC Declaration of Conformity	20
1.5	information	21
1.5.1	Ecology	21
1.5.2	Hydraulic systems: hoses	21
1.5.3	Scrapping and disposal	22
1.6	Weight	23
1.6.1	Weight distribution	23

<https://www.ebooklibonline.com>

Hello dear friend!

Thank you very much for reading.

Enter the link into your browser.

The full manual is available for immediate download.

<https://www.ebooklibonline.com>

1

1.1 information

1.1.1 Customer information

T018960

Introduction

Your new self-propelled combine is manufactured for harvesting seed and cereal crops, for threshing, separating, cleaning and conveying the grain into the tank and depositing the straw on the ground.

This Operator's Manual should be used as a practical reference guide: It contains all the necessary practical information for the operation, adjustment and maintenance of your new machine.

Your combine was designed and built to ensure optimum performance, comfort and ease-of-operation in a wide variety of crops and conditions.

The combine has been thoroughly inspected prior to delivery both at the factory and by your Dealer, to ensure you receive it in perfect condition.

To keep the combine in perfect condition and to ensure trouble-free performance, the periodical maintenance operations listed in this manual should be carried out at the recommended intervals.

Before operating and/or driving the combine, read this Operator's Manual carefully, paying particular attention to the section on safety rules.

Always keep this manual on hand for further reference.

The terms "left" and "right" are always used with reference to the machine travelling direction.

Should you require further information about the machine, please do not hesitate to contact your authorised Dealer. Your Dealer provides specially trained personnel, genuine spare parts and the required tools to solve any problems that may arise.

NOTE:

- *This combine has been designed and built in compliance with the Machine Directive 2006/42/EC. A CE Declaration of Conformity is supplied with the machine (see specific chapter).*
- *This manual is published for worldwide distribution, and the availability of equipment shown as standard or optional varies according to the territory in which the combine is to be used. Specifications may differ from those contained in this Operator's Manual according to the customer's requirements*
- *In order to provide a better view of features or adjustments, certain illustrations in this manual may show an assembly with standard guards, or the guards required by law in different countries, open or removed. **However, a machine should never be operated in this condition. For your own safety, always ensure all safety guards are fitted and closed correctly before operating the machine.***
- *This Operator's Manual, along with the Operator's Manuals for the PTO shaft and the table trailer, must always be kept in the compartment under the passenger seat for storage and convenient reference.*

Company policy

In accordance with the Company's policy of continuous improvements to its products, the Company reserves the right to modify and improve its products whenever necessary and to the required extent, without any obligation to apply such modifications to previously sold products.

The information contained in this Manual refers to the current situation at the time it was written. All the data given may vary.

Optional equipment

Your machine was designed to operate in a wide variety of crops and conditions.

However, in certain cases it may be necessary to fit additional accessories to improve machine performance or adapt the machine to harvesting special crops.

A list of available accessories is provided in the chapter **Optional equipment**.

Spare parts and accessories

The genuine spare parts and accessories have been specifically designed for this type of machine.

Only genuine parts supplied by your authorised Dealer can guarantee correct operation and optimum performance.

Never use non-genuine spare parts or accessories: Some accessories (e.g. PTO shafts, straw choppers, tables) require an EC certification, which can be provided only by the manufacturer or his qualified and recognised sub-suppliers.

Non-genuine spare parts have not been tested and are not authorised by the manufacturer.

1.2 Use

1.2.1 Use of the combine

T018961

Acceptable use

These combines are designed as self-propelled units with a diesel engine.

The machines are manufactured exclusively for agricultural purposes, i.e. for harvesting cereal, seed, rice, maize, soya etc. by cutting or picking up from the swath, threshing and separating the grains from the ears, delivering the grains in the grain tank and unloading them into the grain wagon.

Machine performance may be limited by various factors such as harvesting speed, weather conditions, ground characteristics and the type and degree of ripeness of the crop.

When operating the machine, make sure the cab doors are shut. The operator and instructor, if present, must remain seated in their respective seats with their seatbelts fastened (the operator should not drive the machine when standing).

The machines may be operated only by skilled personnel, who are thoroughly familiar with all the machine's functions and harvesting techniques.

Machine stability is ensured on the following inclinations, on condition that the ground is firm and the tyres offer sufficient grip:

- Fendt 5275 C - 6335 C models
 - 20% (11°) longitudinally (uphill and downhill).
 - 20% (11°) crosswise.
- Fendt 5275 C PL - 6335 C PL and Fendt 5275 C PLI models
 - 30% (18°) longitudinally (uphill and downhill).
 - 30% (18°) crosswise.

Fendt 5275 C - 6335 C models

These models are designed for working on level ground to ensure even distribution of the crop inside the machine.

These models HAVE NOT been developed for working on sloping ground.

Fendt 5275 C PL - 6335 C PL models

These models have been expressly designed for harvesting crops on hilly but firm ground.

The front levelling system ensures that the machine body remains perfectly horizontal up to a gradient of 20%.

The system that varies the front track width operates correctly only when the machine is in motion.

Fendt 5275 C PLI models

This model, in comparison to the PL models, features the longitudinal levelling function (two hydraulic cylinders connected to the rear axle) that allows the machine to tackle uphill slopes, up to 30%.

Forbidden uses

Do not use the machine for tasks or purposes other than those specified in this Manual, on the safety decals or on other safety information provided with the machine.

The following pages contain recommendations on correct and incorrect use of the machine when travelling on public roads, during field operations and during maintenance.

Many machine functions relating to safety are managed by the software.

Do not try to modify or replace the software. You risk destroying the machine's settings and the operating logic.

Such tampering could lead to unpredictable and abnormal behaviour, making it unsafe (for the operator(s) and the machine).

Only your Dealer is authorised to intervene on the machine software.

The machine's maximum speed on the road is limited and controlled by the software. Do not try to change it.

1

Table types (please see the specific Operator's Manual)

The above-mentioned combines may use FreeFlow and PowerFlow cutting tables.

NOTE: In this manual, the term "table/s" signifies both the cutting table and the maize header when used generically. The term "cutting table" refers to the assembly consisting of reel, cutting bar, table auger etc. used to harvest grain, barley, rice, soya, etc. The term "maize header" refers to the assembly consisting of stalk grippers, stripping blades, conveyor chains etc. used for harvesting maize.

1.3 Trailer hitch

1.3.1 Combine identification

T018964

The combine and its main components are identified by serial numbers and/or production codes. The position of the different identification data is described below.

NOTE: Always quote the combine serial number when contacting your Dealer for spare parts or assistance.

Combine approval and safety plates

The manufacturer's type plate (1), statutory for all countries (or (2), for France only), is positioned on the outer right-hand side of the operator platform and shows the following information:

- Combine type.
- Approval number.
- Combine serial number.
- Total maximum permitted weight.
- Weight (on both axles).
- Towing weight.

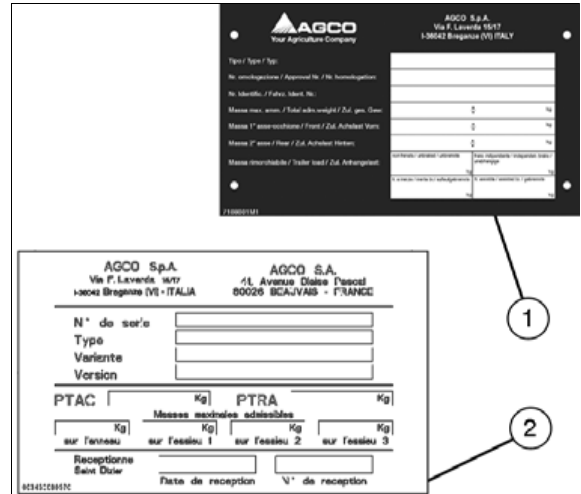
For further details, please refer to the type approval certificate.

The safety plate (3) is located next to the approval plate, and guarantees that the combine was built in compliance with Machinery Directive 2006/42/EC as well as Directive 2004/108/EC.

This plate shows the following information:

- Manufacturing year.
- Marketing year.
- Model.
- Combine serial number.
- Crop type.
- Total weight (normal configuration).
- Nominal engine power.
- Maximum towing weight.
- Maximum vertical load on the trailer hitch.

In certain countries (e.g. Russia) these two plates are positioned next to an additional decal/plate corresponding to the approval for that specific country.



I054044



I054047

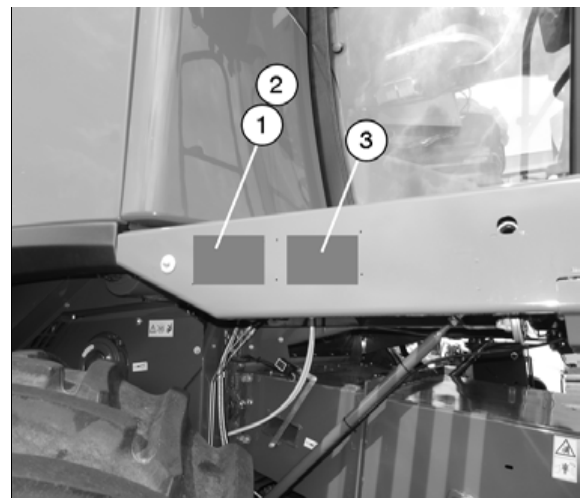


Fig. 1.

I054054

1

Combine identification

Combine type and serial number appear on the plate and are also punched into the rear right-hand side of the frame (1).

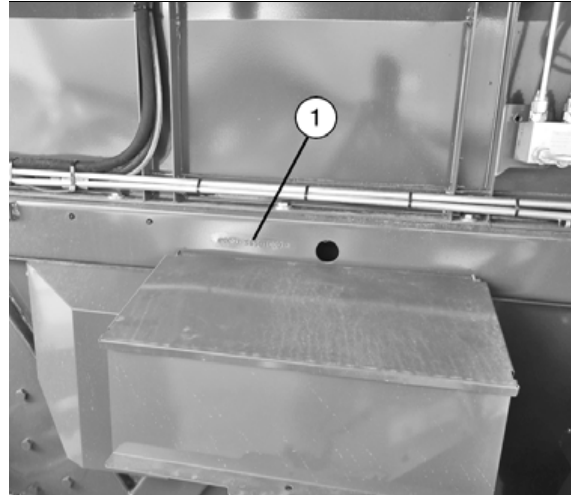


Fig. 2.

1054052

Engine Identification

The engine is identified by the type plate (1) in the middle of the cylinder block.

The following information appears on the plate (1):

- Engine manufacturer
- Engine type
- Engine power and rated speed
- Engine serial number
- Valve clearance
- Customer reference code
- Idling speed
- Compliance with Directive 97/68/EC
- Name of the engine assembler.

The engine serial number is always also stamped on the cylinder block.

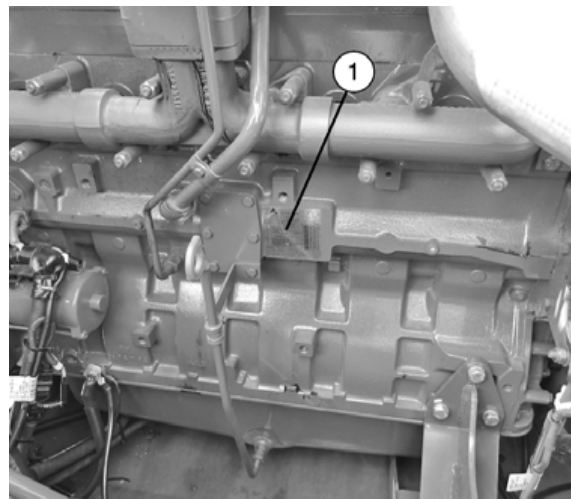


Fig. 3.

1054058

Cutting table identification

The cutting table can be identified by a metal plate affixed on the left-hand side.



Fig. 4.

1048237

Operator seat identification

The identification plate is located on the seat support and can be reached by moving the seat fully forwards.



Fig. 5.

I048238

Hydrostatic pump identification

Identification of the hydrostatic pump is facilitated by means of a plate (1) located on the pump housing front part.

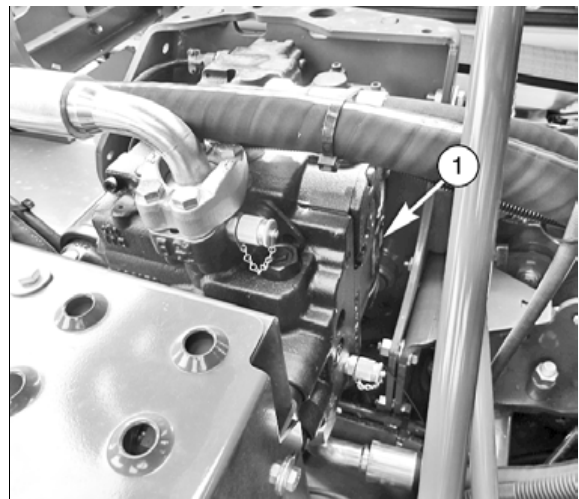


Fig. 6.

I054056

Hydrostatic motor identification

Identification of the hydrostatic motor is facilitated by means of a plate located on the motor body lower part.

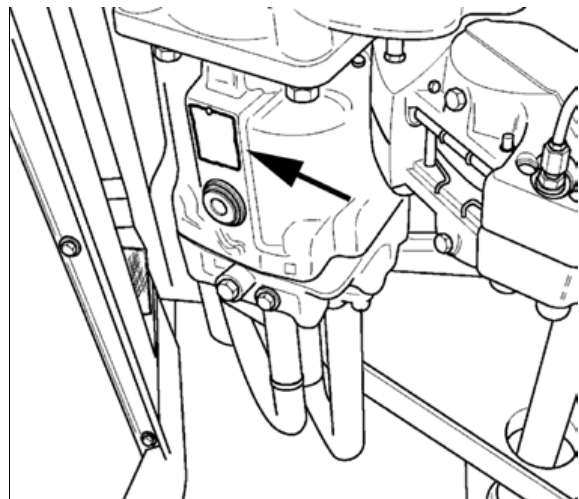


Fig. 7.

I048240

1

Straw chopper identification (if fitted)

The straw chopper type plate is located on the right-hand side next to the rotor support.

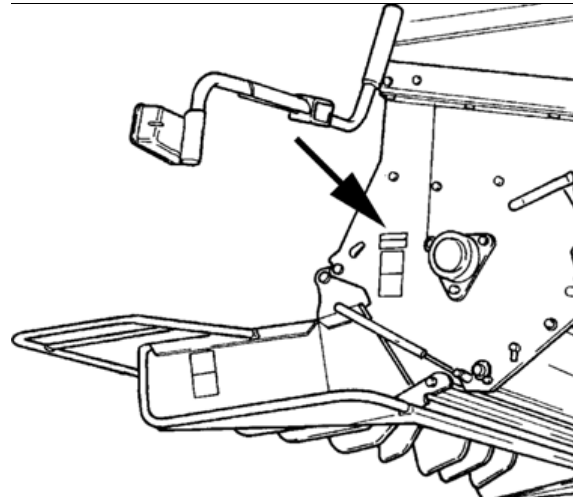


Fig. 8.

1048241

Chaff spreader identification (if fitted)

The type plate is located on the right-hand side next to the chaff spreader adjustment lever.

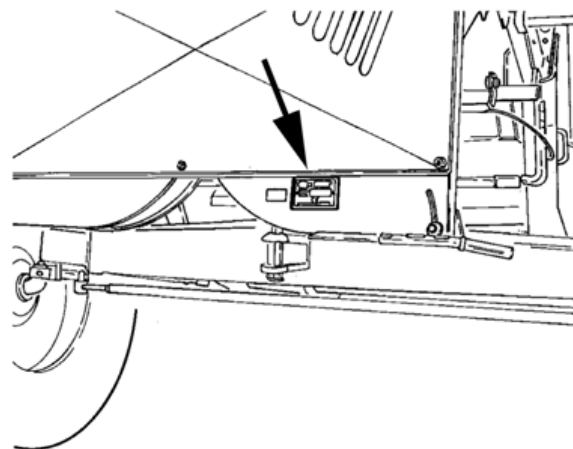


Fig. 9.

1048242

Trailer hitch identification (if fitted)

The plate is positioned on the right-hand side of the trailer hitch.

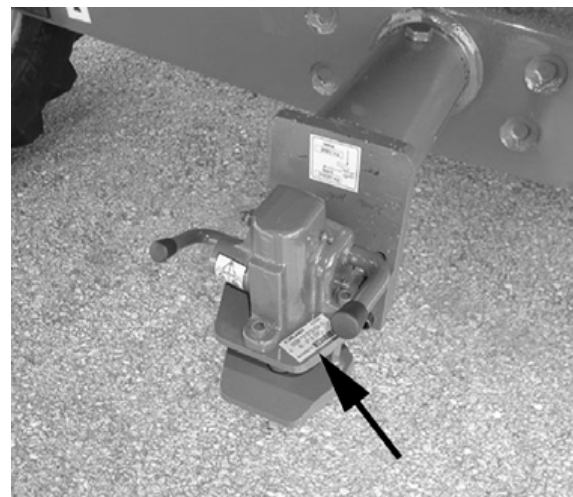


Fig. 10.

1048243

Please enter the identification details of your combine for convenient reference:

Combine model _____

Combine serial number _____

Engine type and serial number _____

Cab serial number _____

Straw chopper serial number _____

Cutting table serial number _____

Date of initial start-up _____

Dealer's telephone number _____

1

1.4 Conformity

1.4.1 EC Declaration of Conformity

T018972

The CE Declaration of Conformity, shown below, certifies that the combine was designed and built in compliance with the regulations currently applicable within the European Community.

The cutting table has its own EC Declaration of Conformity.

<p>IT</p> <p>DECLARAZIONE DI CONFORMITÀ CE IN CONFORMITÀ CON LE DIRETTIVE 2006/42/CE E 2006/95/CE</p> <p>E È SUO RAPPRESENTANTE AUTORIZZATO: _____</p> <p>DEGNATO SOTTO LA PROPRIA RESPONSABILITÀ CHE IL MODELLO AGRICOLA CON LA FUNZIONE DI: MOTOCOLLETTOR</p> <p>MODELLO: _____</p> <p>TIPO COMMERCIALE: _____</p> <p>NUMERO DI SERIE: _____</p> <p>L'OGGETTO DELLA PRESENTE DECLARAZIONE È CONFORME ALLE DISPOSIZIONI DELLA DIRETTIVA 2006/42/CE, ANNESSI I, II, E DELLA DIRETTIVA 2006/95/CE, ANNESSO II.</p> <p>TIPO, MODELLO E FORMA DELLA PERSONA AUTORIZZATA: _____</p> <p>LUOGO E DATA: _____</p>	<p>FR</p> <p>DECLARATION DE CONFORMITE CE SELON LES DIRECTIVES 2006/42/CE A 2006/95/CE</p> <p>ET NOTRE RAPPRESENTANT _____</p> <p>DECLAREE SOUS NOTRE SEULE RESPONSABILITE QUE LA MACHINE AGRICOLE POUR FONCTION: MOTOCYCLISTE</p> <p>MODELE: _____</p> <p>NON COMMERCIAL: _____</p> <p>N° DE SERIE: _____</p> <p>OBJET L'OBJET DE LA DECLARATION EST CONFORME AUX DISPOSITIONS DE LA DIRECTIVE 2006/42/CE, ANNEXES I, II, ET AU SEUL ANNEXE II DE LA DIRECTIVE 2006/95/CE.</p> <p>TITRE, MODELE ET FORME DE LA PERSONNE AUTORISEE: _____</p> <p>LEU ET DATE: _____</p>	<p>DA</p> <p>CE OVERENSSTEMMELSEERKLÆRING I OVERENSSTEMMELSE ER KLÆRINGEN 2006/42/EF OG 2006/95/EF</p> <p>OG VORES AUTORIZERTE REPRÆSENTANT _____</p> <p>ERKLÆRER UNDER SINE ANSVAR, AT LÆRINGSOBJEKTTEN HENSER TIL EN FUNKTION AF: MOTOCYCLIST</p> <p>MODEL: _____</p> <p>ERKLAERINGSNUMMER: _____</p> <p>SERIENUMMER: _____</p> <p>OBJET ER OMFATTET AF ERKLÆRINGEN, OG FØLGER DE BESTEMMELSERNE I DE ANNEKSER I OG II I DIREKTIV 2006/42/EF, ANNEKSET II I DIREKTIV 2006/95/EF.</p> <p>SAKT REPRÆSENTANTEN I DIREKTIV 2006/95/EF ERKLAERER FØLGENDE:</p> <p>OBJEKTTYPEN, MODELLEN OG FORMEN STILLES OG UNDERKREFT:</p> <p>STED OG DATO: _____</p>
<p>DE</p> <p>EU-KONFORMITÄTSPRÄKLÄRUNG ENTWEDER DEN BEZUGENDE 2006/42/EG ODER 2006/95/EG</p> <p>UND UNSER BEZUGSWEISUNGSBEFUGMANN _____</p> <p>ERKLÄRT UNTER SEINER VERANTWORTUNG, DASS DAS LANDWIRTSCHAFTLICHE GERÄT MIT DER FUNKTION EINER: MOTOCYCLIST</p> <p>MODELL: _____</p> <p>ANZEIGENART: _____</p> <p>SERIENUMMER: _____</p> <p>DAS GERÄT WIRD DEN BESTIMMUNGEN DER EU-RICHTLINIEN 2006/42/EG, ANHANG I, II, UND DER EINZIGEN ANHANG II DER RICHTLINIE 2006/95/EG ENTSPRECHEND.</p> <p>TIPO, MODELLO E FORMA DELLA PERSONA AUTORIZZATA: _____</p> <p>LUOGO E DATA: _____</p>	<p>EN</p> <p>CE DECLARATION OF CONFORMITY IN ACCORDANCE WITH DIRECTIVES 2006/42/EC & 2006/95/EC</p> <p>AND OUR AUTHORIZED REPRESENTATIVE _____</p> <p>DECLARE UNDER OUR SOLE RESPONSIBILITY THAT THE AGRICULTURAL MACHINE WITH THE FUNCTION OF: MOTOCYCLIST</p> <p>MODEL: _____</p> <p>COMMERCIAL NAME: _____</p> <p>SERIAL NUMBER: _____</p> <p>FORWING THE SUBJECT OF THE DECLARATION IS IN COMPLIANCE WITH THE PROVISIONS OF DIRECTIVE 2006/42/EC, ANNEXES I, II, AS WELL AS WITH THE PROVISIONS OF DIRECTIVE 2006/95/EC, ANNEX II.</p> <p>NAME, ROLE AND SIGNATURE OF THE AUTHORIZED PERSON: _____</p> <p>LOCATION AND DATE: _____</p>	<p>ES</p> <p>DECLARACIÓN DE CONFORMIDAD CE DE ACORDO CON LAS DIRECTIVAS 2006/42/CE Y 2006/95/CE</p> <p>Y NUESTRO REPRESENTANTE AUTORIZADO _____</p> <p>DECLARAMOS BAJO NUESTRA ÚNICA RESPONSABILIDAD LA CONFORMIDAD DE LA MÁQUINA AGRÍCOLA CON LA FUNCIÓN DE: MOTOCICLISTA</p> <p>MODELO: _____</p> <p>TIPO COMERCIAL: _____</p> <p>NÚMERO DE SERIE: _____</p> <p>A SU OJO Y BAJO MI PROPIA DECLARACIÓN CON LAS DISPOSICIONES DE LA DIRECTIVA 2006/42/CE, ANEXOS I, II, Y COMO LAS DISPOSICIONES DE LA DIRECTIVA 2006/95/CE, ANEXOS I, II.</p> <p>TIPO, MODELO Y FORMA DE LA PERSONA AUTORIZADA: _____</p> <p>LUOGO E DATA: _____</p>
<p>ET</p> <p>EU-KONFORMITÄTSPRÄKLÄRUNG ENTWEDER DEN BEZUGENDE 2006/42/EG ODER 2006/95/EG</p> <p>UND UNSER BEZUGSWEISUNGSBEFUGMANN _____</p> <p>ERKLÄRT UNTER SEINER VERANTWORTUNG, DASS DAS LANDWIRTSCHAFTLICHE GERÄT MIT DER FUNKTION EINER: MOTOCYCLIST</p> <p>MODELL: _____</p> <p>ANZEIGENART: _____</p> <p>SERIENUMMER: _____</p> <p>DAS GERÄT WIRD DEN BESTIMMUNGEN DER EU-RICHTLINIEN 2006/42/EG, ANHANG I, II, UND DER EINZIGEN ANHANG II DER RICHTLINIE 2006/95/EG ENTSPRECHEND.</p> <p>TIPO, MODELLO E FORMA DELLA PERSONA AUTORIZZATA: _____</p> <p>LUOGO E DATA: _____</p>	<p>FI</p> <p>EU-KONFORMITÄTSPRÄKLÄRUNG ENTWEDER DEN BEZUGENDE 2006/42/EG ODER 2006/95/EG</p> <p>UND UNSER BEZUGSWEISUNGSBEFUGMANN _____</p> <p>ERKLÄRT UNTER SEINER VERANTWORTUNG, DASS DAS LANDWIRTSCHAFTLICHE GERÄT MIT DER FUNKTION EINER: MOTOCYCLIST</p> <p>MODELL: _____</p> <p>ANZEIGENART: _____</p> <p>SERIENUMMER: _____</p> <p>DAS GERÄT WIRD DEN BESTIMMUNGEN DER EU-RICHTLINIEN 2006/42/EG, ANHANG I, II, UND DER EINZIGEN ANHANG II DER RICHTLINIE 2006/95/EG ENTSPRECHEND.</p> <p>TIPO, MODELLO E FORMA DELLA PERSONA AUTORIZZATA: _____</p> <p>LUOGO E DATA: _____</p>	<p>NL</p> <p>EU-KONFORMITÄTSPRÄKLÄRUNG ENTWEDER DEN BEZUGENDE 2006/42/EG ODER 2006/95/EG</p> <p>UND UNSER BEZUGSWEISUNGSBEFUGMANN _____</p> <p>ERKLÄRT UNTER SEINER VERANTWORTUNG, DASS DAS LANDWIRTSCHAFTLICHE GERÄT MIT DER FUNKTION EINER: MOTOCYCLIST</p> <p>MODELL: _____</p> <p>ANZEIGENART: _____</p> <p>SERIENUMMER: _____</p> <p>DAS GERÄT WIRD DEN BESTIMMUNGEN DER EU-RICHTLINIEN 2006/42/EG, ANHANG I, II, UND DER EINZIGEN ANHANG II DER RICHTLINIE 2006/95/EG ENTSPRECHEND.</p> <p>TIPO, MODELLO E FORMA DELLA PERSONA AUTORIZZATA: _____</p> <p>LUOGO E DATA: _____</p>

Breganze, 9

nr. 635539007234

Fig. 1.

1054061

1.5 information

1.5.1 Ecology

T018975

Information for the prevention of environmental pollution

Soil, air and water are essential for agriculture and all life on earth. **Protect them.** In areas where no local regulations impose standards for the use and disposal of chemicals and petrochemical products required by modern technology, all necessary precautions must be adopted to avoid any risk of pollution.

The following guidelines may be helpful:

- Find out about the legal requirements in your country and comply strictly with them.
- If no regulations are in force, ask your Dealer about the effects of lubricants, fuels, antifreeze mixtures, cleaning agents etc. on people and the environment. Also ask how to store, use and dispose of such products correctly. In most cases, agricultural advisers will be able to answer your questions satisfactorily.

Important Notes

1. When refuelling the machine, take all necessary precautions to avoid fuel spillage. In particular, avoid using pressurised containers or fuel supply systems, as these are unsuitable.
2. As a rule, avoid any skin contact with liquid fuels, lubricants, acids, solvents etc. Most of these products contain substances that are potentially harmful.
3. **Do not dispose of lubricants by burning: They contain substances that may be noxious when burned.**
4. Whenever possible, use biodegradable oil for lubricating the chains, as this oil cannot be collected.
5. Avoid spillage while draining oil, brake fluid, coolant etc. from the engine, gearbox and hydraulic system. Collect the fluids in suitable containers and dispose of them properly, according to regulations in force and the availability of suitable systems.
6. Modern coolants and mixtures, e.g. antifreeze and other additives, must be replaced every two years. Never let them drain into the ground; collect and dispose of them safely.
7. Never open or modify the air-conditioning system. It contains gases which must not be released in the atmosphere. Contact your Dealer or a specialist who has the correct equipment for emptying and recharging the system and for carrying out any required maintenance or repair.
8. Immediately repair any leaks or defects in the engine cooling or hydraulic system to prevent any risk of pollution.
9. Never increase the pressure in a pressurised system. This may cause the components to burst.
10. When welding, protect the hoses properly against welding spatters that could damage or weaken hoses and sleeves, resulting in oil and coolant leaks.

1.5.2 Hydraulic systems: hoses

T019495

Hoses are an important part of modern machines.

Hose features may change over the years when exposed to pressure, vibrations, weather conditions, etc.

Inspect the hydraulic hoses at the beginning of each new harvesting season.

Regulations in force (e.g. DIN 20066) require hose replacement six years from manufacturing (the manufacturing date is printed on most hoses, which helps determine when replacement is due).

It is important to observe these recommendations.



Suggest:

For more complete manuals. Please go to the home page.

<https://www.ebooklibonline.com>

If the above button click is invalid. Please download this document first, and then click the above link to download the complete manual.

Thank you so much for reading

1**DANGER:**

- ***In the event of leaks, pressurised liquid may penetrate your skin and cause severe injury. Immediately seek medical advice from a doctor familiar with this type of accident. This kind of injury requires surgery.***
- ***Always relieve pressure before working on components of the hydraulic system***
- ***Ensure that all hydraulic couplings are properly tightened before letting oil into a pressurised circuit.***
- ***Search for leaks without touching with bare hands; e.g. use a piece of cardboard.***
- ***Wear suitable protective clothing to avoid touching liquids with hands or body.***

Safety requirements for hydraulic systems and their components

- Hoses may not be manufactured using recycled material.
- Never weld on hydraulic lines.
- In case of damage, immediately replace the lines.
- Do not modify hydraulic accumulators through adjustment, welding, etc.
- Before removing the hydraulic accumulators to carry out service or maintenance, relieve the pressure of the liquid contained therein completely.
- Service or maintenance on hydraulic accumulators should only be carried out by skilled technicians who are thoroughly familiar with these components.

1.5.3 Scrapping and disposal

T019497

In addition to the recommendations in the section "Important Notes on Environmental Protection", which should be followed at all times, the instructions listed below must be followed when the time comes to scrap the combine.

- Find out about the legal requirements in your country and comply strictly with them.
- If no regulations are in force, contact your Dealer about the possibility of handing over the combine to a company skilled in machine disposal.

Instructions:

1. Drain the hydraulic and hydrostatic circuits, engine sump, gearbox, final drives, etc., collecting the oil in suitable containers to be kept in a safe place until they can be disposed of appropriately.
2. Drain radiator coolant and store it as described above.
3. Empty the air-conditioning system. Contact your Dealer or an authorised workshop who has the correct tools for emptying the system.
4. Separate different materials, such as glass, plastic, iron, aluminium, tyres, etc. for easier recycling.

1.6 Weight

1

1.6.1 Weight distribution

T019496

The weight distribution on the two axles depends on how the combine is equipped.

If a cutting table other than the standard table is attached to the combine, please note that at least 20% of the total weight of the combine must rest on the rear axle.

In accordance with the above, ballast weights could be required at the rear of the combine.

Checking the total weight distribution (with table attached) on both axles

Ensure that the capacity of the weighing equipment is sufficient.

When weighed, the machine fuel tank must be filled and the operator must be in his seat.

Check that the load resting on each axle and the total weight do not exceed the maximum values permitted **by the manufacturer and indicated in the documents for road transport.**

Proceed as follows:

- Position the table approx. 350 mm above the ground; position the combine front axle in the middle of the weighing platform (1) and measure the weight (M_a).
- Position the rear axle in the middle of the weighing platform (1) and measure the weight (M_p).
- Calculate the total weight by adding up the two weights: $M_t = M_a + M_p$.
- Determine if 20% of the total weight of the machine rests on the rear axle, dividing M_p by M_t . This value must be higher or equal to 0.20, corresponding to 20%:

$M_p: M_t \geq 0.20$ (or 20%)

If the calculated value is lower than 0.20, the weight on the rear axle must be increased by adding ballast weights (M_z).

When recalculating, the weight of the additional ballast weights must be taken into account in the total weight:

$(M_p + M_z): (M_t + M_z) \geq 0.20$ (or 20%)

Example: Weight measured on the front axle, with table attached $M_a=12000\text{kg}$; weight measured on the rear axle, with table attached $M_p=3100\text{kg}$.

Machine total weight:

$$M_t = M_a + M_p = 12000 + 3100 = 15100 \text{ kg.}$$

The value $M_p: M_t = 3100: 15100 = 0.205$ which corresponds to 20.5%, is correct.

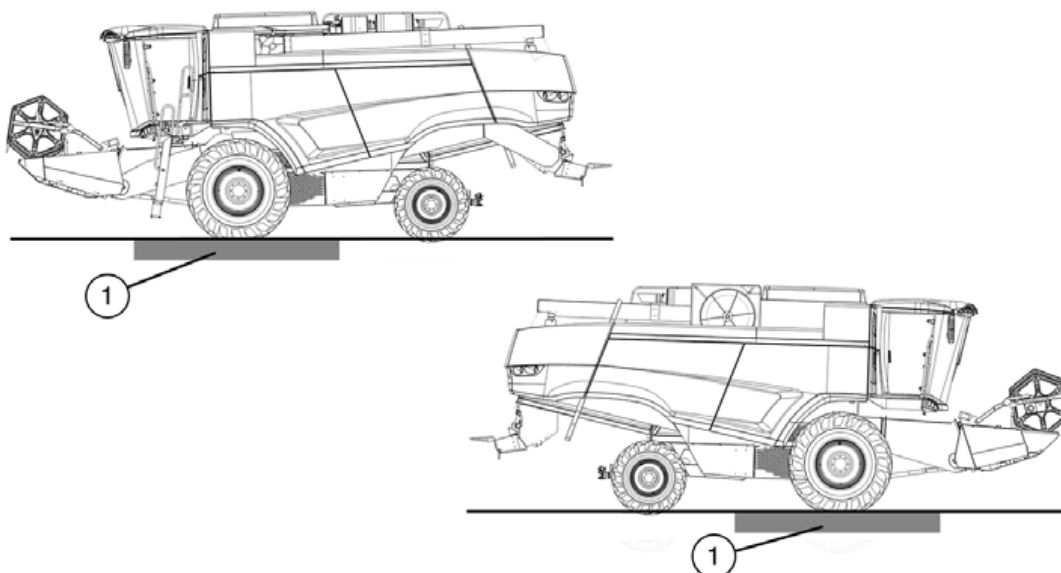


Fig. 1.

I048608

<https://www.ebooklibonline.com>

Hello dear friend!

Thank you very much for reading.

Enter the link into your browser.

The full manual is available for immediate download.

<https://www.ebooklibonline.com>