

5275 C from serial no. 553900084

5275 C PL from serial no. 554000162

5275 C PLI from serial no. 554000162

6335 C from serial no. 564000301

6335 C PL from serial no. 564100215

**ORIGINAL
OPERATOR'S
MANUAL**

FENDT

TABLE OF CONTENTS

- 1. General Information**
- 2. Operation**
- 3. Controls and Instruments**
- 4. Field Operations**
- 5. Lubrication and Maintenance**
- 6. Adjustments**
- 7. Systems**
- 8. Troubleshooting**
- 9. Off-Season Storage**
- 10. Optional Equipment**
- 11. Technical Specifications**
- 12. Alphabetical Index**

CONTENTS

	Section-page
1. GENERAL INFORMATION	
Customer information	1-1
Appropriate use	1-3
Combine identification	1-4
Ecology: information for the prevention of environmental pollution	1-9
Safety	1-10
Emergency exit	1-34
Safety devices	1-35
Machine lifting	1-45
Towing the combine	1-46
Fire resistance inside the cab	1-46
Noise level in the cab	1-47
Ambient noise in motion Directive 2009/63/EC	1-47
Vibrations in the cab	1-47
Statutory regulations	1-48
Hydraulic systems: hoses	1-48
Scrapping and disposal	1-49
Electromagnetic emissions	1-49
Notes for road transport	1-50
Weight distribution	1-52
2. OPERATION	
Crop processing	2-1
3. CONTROLS AND INSTRUMENTS	
Steering column	3-1
Service and parking brakes	3-3
Multifunction lever	3-4
Gearshift lever and reversing lever	3-6
Control panel (models 5275 C and 6335 C)	3-7
Control panel (models 5275 C PL and 6335 C PL)	3-8
Control panel (5275 C PLI model)	3-9
Computer	3-14
Cab	3-42
Access to combine components	3-53
Starting the engine	3-57
Stopping the engine	3-58
Operations to be carried out before road transport	3-59
Before using the combine	3-61
4. FIELD OPERATIONS	
General Information	4-1
Starting and Stopping the Combine	4-2
Cutting table	4-4
Main Crop Elevator	4-9
Cylinder Housing	4-13
Concave	4-14
Rear beater	4-19
Multi Crop Separator	4-20
Straw walkers	4-23
Main Grain Pan	4-24
Fanning mill	4-27
Top sieve	4-28
Bottom sieve	4-29
Returns	4-30
Grain tank	4-31

<https://www.ebooklibonline.com>

Hello dear friend!

Thank you very much for reading.

Enter the link into your browser.

The full manual is available for immediate download.

<https://www.ebooklibonline.com>

CONTENTS

	Section-page
5. LUBRICATION AND MAINTENANCE	
General information	5-1
Preliminary Service Inspection	5-2
Scheduled Service Inspection	5-3
Where and When to Carry Out Service Inspection	5-4
Periodical maintenance operations	5-39
Capacities and specifications 5275 C, 5275 C PL AND 5275 C PLI	5-42
Capacities and specifications 6335 C and 6335 C PL	5-43
6. ADJUSTMENTS	
Belt and chain adjustment	6-1
Belts and chains (left-hand side)	6-2
Belts and chains (right-hand side)	6-11
Reverse drive system	6-17
Slip clutches	6-19
Unloading tube	6-20
Tyres	6-21
Brakes	6-25
Rear axle	6-27
Battery	6-31
7. SYSTEMS	
Engine supply system	7-2
Engine air intake and exhaust system	7-5
Engine cooling system	7-6
Engine lubrication system	7-8
SCR system	7-9
Hydraulics system	7-11
Hydrostatic transmission system	7-21
Electrical system	7-23
8. TROUBLESHOOTING	
Feeding	8-1
Threshing	8-1
Separation and cleaning	8-3
Hydrostatic Transmission	8-5
Engine	8-6
Hydraulics system	8-16
Levelling Hydraulics System	8-16
Electrical System	8-17
Air conditioning circuit	8-17
Straw Chopper	8-19
9. OFF-SEASON	
9. STORAGE	
10. OPTIONAL EQUIPMENT	
11. TECHNICAL SPECIFICATIONS	
Wheels and tyres	11-1
Combine dimensions	11-4
Clearance between unloading auger and table	11-11
Technical specifications - 5275 C and 6335 C	11-12
Technical specifications - 5275 C PL, 5275 C PLI and 6335 C PL	11-19
12. ALPHABETICAL INDEX	

1. GENERAL INFORMATION

1.1 CUSTOMER INFORMATION

INTRODUCTION

Your new self-propelled combine is manufactured for harvesting seed and cereal crops, for threshing, separating, cleaning and conveying the grain into the tank and depositing the straw on the ground.

This Operator's Manual should be used as a practical reference guide: It contains all the necessary practical information for the operation, adjustment and maintenance of your new machine.

Your combine was designed and built to ensure optimum performance, comfort and ease-of-operation in a wide variety of crops and conditions.

The combine has been thoroughly inspected prior to delivery both at the factory and by your Dealer, to ensure you receive it in perfect condition.

To keep the combine in perfect condition and to ensure trouble-free performance, the periodical maintenance operations listed in this manual should be carried out at the recommended intervals.

Before operating and/or driving the combine, read this Operator's Manual carefully, paying particular attention to the section on safety rules.

Always keep this manual on hand for further reference.

The terms "left" and "right" are always used with reference to the machine travelling direction.

Should you require further information about the machine, please do not hesitate to contact your authorised Dealer.

Your Dealer provides specially trained personnel, genuine quality spare parts and the required tools to solve any problems that may arise.

NOTE:

- *This combine has been designed and built in compliance with the Machine Directive 2006/42/EC. An EC Declaration of Conformity is supplied with the machine (see facsimile on page 1-8).*
- *This manual is published for worldwide distribution, and the availability of equipment shown as standard or optional varies according to the territory in which the combine is to be used. Specifications may differ from those contained in this Operator's Manual according to the customer's requirements.*
- *In order to provide a better view of features or adjustments, certain illustrations in this manual may show an assembly with standard guards, or the guards required by law in different countries, open or removed. **However, a machine should never be operated in this condition. For your own safety, always ensure all safety guards are closed and correctly fitted before operating the machine.***
- *This Operator's Manual, along with the the PTO shaft, must always be kept in the empty compartment under the passenger seat for storage and convenient reference.*

Company policy

In accordance with the Company's policy of continuous improvements to its products, the Company reserves the right to modify and improve its products whenever necessary and to the required extent, without any obligation to apply such modifications to previously sold products. The information contained in this Manual refers to the current situation at the time it was written. All the data given may vary.

1.2 APPROPRIATE USE

C series combines are designed as self-propelled units with a diesel engine.

The machines are manufactured exclusively for usual agricultural purposes, i.e. for harvesting cereal, seed, rice, maize, soya, etc. by cutting or picking-up the crop, threshing and separating the grains from the ears, delivering the grains in the grain tank and unloading them into the grain wagon.

Machine performance may be limited by various factors such as harvesting speed, weather conditions, ground characteristics and the type and degree of ripeness of the crop.

When operating the machine, make sure the cab doors are shut. The operator and instructor, if present, must remain seated in their respective seats with their seatbelts fastened (the operator should not drive the machine when standing).

The machines may be operated only by skilled personnel, who are thoroughly familiar with all the machine's functions and harvesting techniques.

Machine stability is ensured on the following inclinations, on condition that the ground is firm and the tyres offer sufficient grip:

- 30% (18 °) longitudinally (uphill and downhill).
- 30% (18 °) crosswise.

Forbidden uses

Do not use the machine for tasks or purposes other than those specified in this Manual, on the safety decals or on other safety information provided with the machine. The following pages contain recommendations on correct and incorrect use of the machine when travelling on public roads, during field operations and maintenance.

Many machine functions related to safety are managed by the software.

Do not try to modify or replace the software. You risk damaging the settings and the operating logic of the machine.

Such tampering could lead to unpredictable and abnormal behaviour, making it unsafe for the operator(s) and the machine.

Only your Dealer is authorised to intervene on the machine software.

The machine's maximum speed on the road is limited and controlled by the software. Do not try to change it.

5275 C and 6335 C models

The above combine models are designed for working on level ground to ensure even distribution of the crop inside the machine. **These models HAVE NOT been developed for working on sloping ground.**

5275 C PL and 6335 C PL models

These models have been expressly designed for harvesting crops on hilly but firm ground.

The front levelling system ensures that the machine body remains perfectly horizontal up to a gradient of 20%.

The system that varies the front track width operates correctly only when the machine is in motion.

5275 C PLI model

This model, in comparison to the LC models, features the longitudinal levelling function (two hydraulic cylinders connected to the rear axle).

When being driven uphill, the machine body remains perfectly horizontal up to a gradient of 30%.

TABLE TYPES (please see the specific Operator's Manual)

The above-mentioned combines may use 4.80, 5.40, 6.00, 7.00 or 7.60 m cutting tables.

NOTE: In this manual, the term "table/s" signifies both the cutting table and the maize header when used generically. The term "cutting table" refers to the assembly consisting of reel, cutting bar, table auger, etc. used to harvest cereal, rice, soya, etc. The term "maize header" refers to the equipment formed by stalk grippers, stripping blades, conveyor chains, etc. used for maize harvesting.

1.3 COMBINE IDENTIFICATION

The combine and its main components are identified by serial numbers and/or production codes.

The position of the different identification data is described below.

NOTE: Always quote the combine serial number when contacting your Dealer for spare parts or assistance.

Combine approval and safety plates

Fig. 1 – Fig. 3

The manufacturer's type plate, statutory for all countries (1), or (2) for France only, is positioned on the outer right-hand side of the operator platform and shows the following information:

- Combine type.
- Approval number.
- Combine serial number.
- Total maximum permitted weight.
- Weight (on both axles).
- Towing weight.

For further details, please refer to the type approval certificate.

The safety plate (3) is located next to the approval plate, and guarantees that the combine was built in compliance with Machinery Directive 2006/42/EC as well as Directive 2004/108/EC.

This plate shows the following information:

- Manufacturing year.
- Year of use.
- Model.
- Combine serial number.
- Crop type.
- Total weight (normal configuration).
- Nominal engine power.
- Maximum towing weight.
- Maximum vertical load on the trailer hitch.

In certain countries (e.g. Russia) these two plates are positioned next to an additional decal/plate corresponding to the approval for that specific country.



Fig. 1

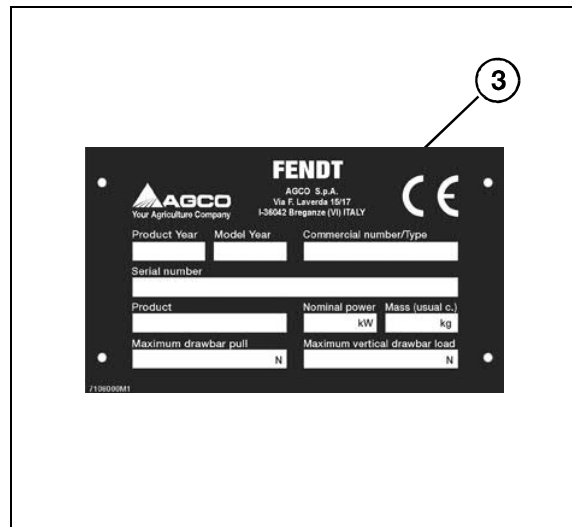


Fig. 2

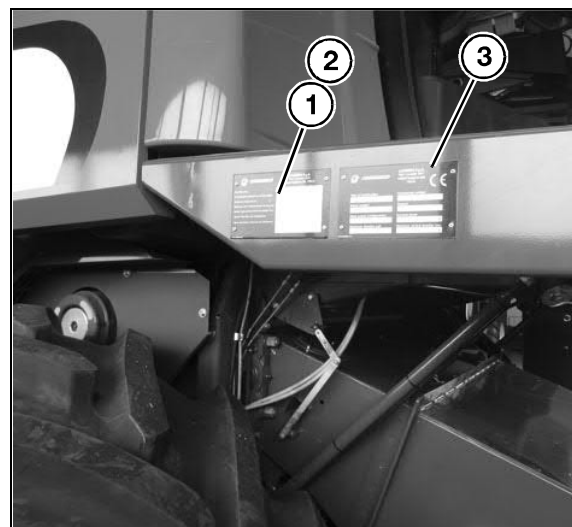


Fig. 3

Combine identification

Fig. 4

Combine type and serial number appear on the plate and are also punched into the rear right-hand side of the frame (1).

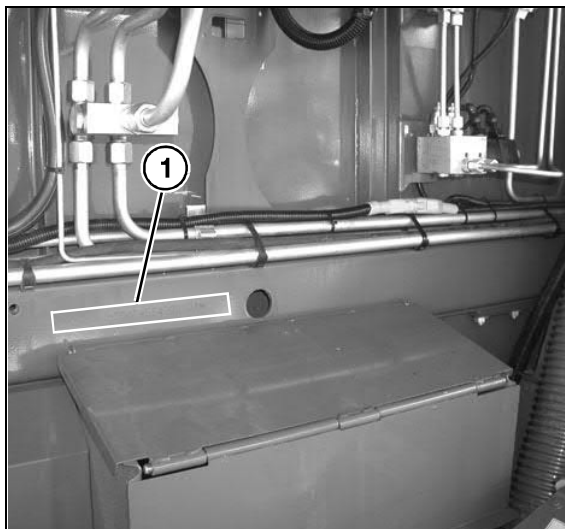


Fig. 4

Engine Identification

Fig. 5

The engine is identified by the type plate (1) in the middle of the cylinder block.

The following information appears on the plate (1):

- Engine manufacturer
- Engine type
- Engine power and rated speed
- Engine serial number
- Valve clearance
- Customer reference code
- Idling speed
- Compliance with Directive 97/68/EC
- Name of the engine assembler.

The engine serial number is always also stamped on the cylinder block.



Fig. 5

Cutting table identification

Fig. 6

The cutting table can be identified by a metal plate affixed on the left-hand side.

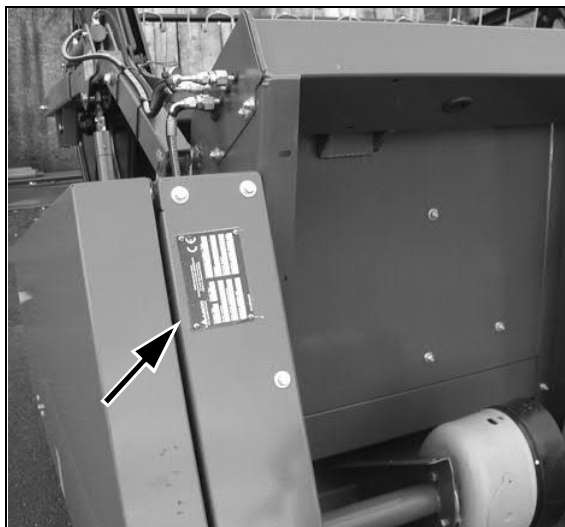


Fig. 6

GENERAL INFORMATION

Operator seat identification

Fig. 7

The identification plate is located on the seat support and can be reached by moving the seat fully forwards.



Fig. 7

Hydrostatic pump identification

Fig. 8

Identification of the hydrostatic pump is facilitated by means of a plate located on the pump body front part.

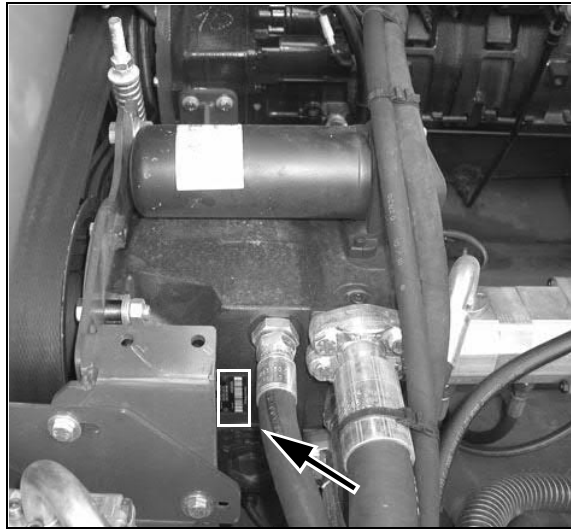
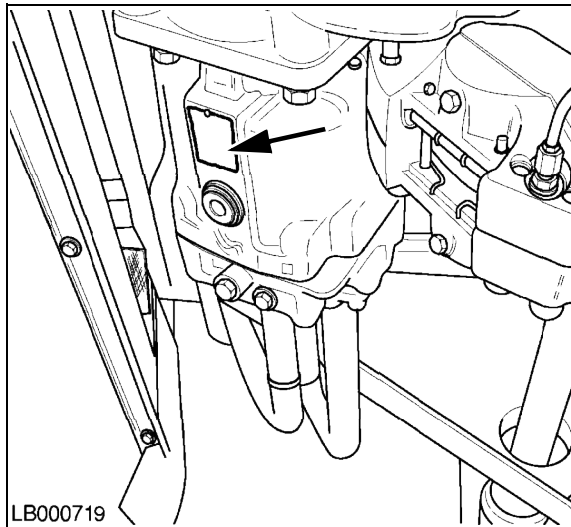


Fig. 8

Hydrostatic motor identification

Fig. 9

Identification of the hydrostatic motor is facilitated by means of a plate located on the motor body lower part.



LB000719

Fig. 9



Suggest:

For more complete manuals. Please go to the home page.

<https://www.ebooklibonline.com>

If the above button click is invalid. Please download this document first, and then click the above link to download the complete manual.

Thank you so much for reading

Straw chopper identification (if fitted)

Fig. 10

The straw chopper type plate is located on the right-hand side next to the rotor support.

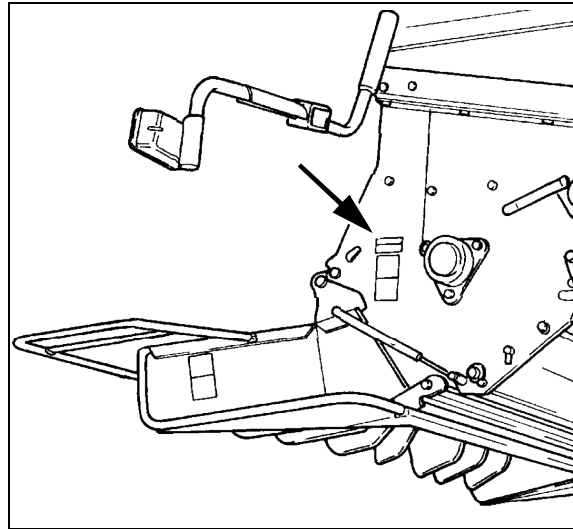


Fig. 10

Chaff spreader identification (if fitted)

Fig. 11

The type plate is located on the right-hand side next to the chaff spreader adjustment lever.

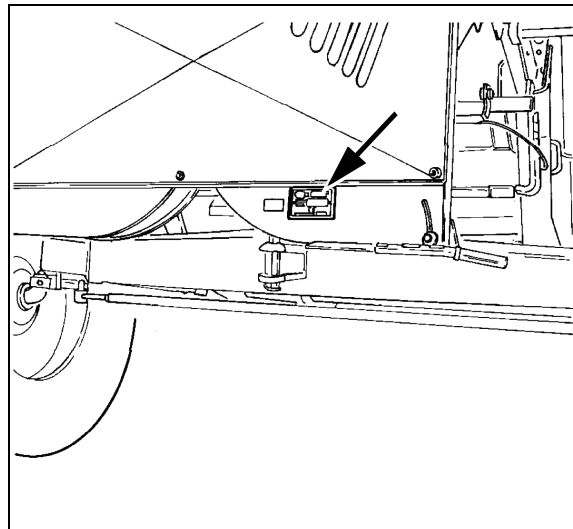


Fig. 11

Trailer hitch identification (if fitted)

Fig. 12

The plate is positioned on the right-hand side of the trailer hitch.

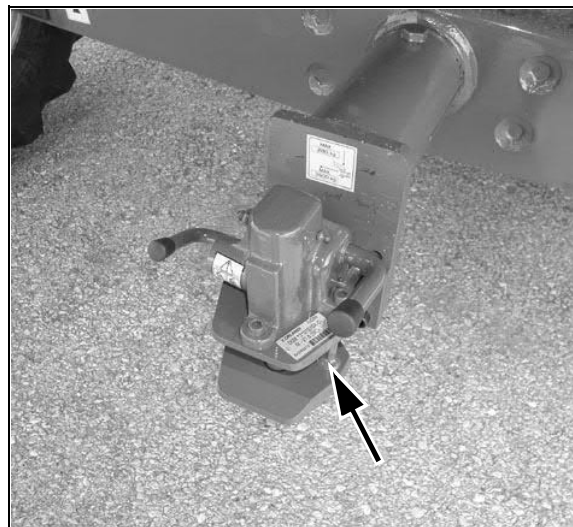


Fig. 12

GENERAL INFORMATION

Please enter the identification details of your combine for convenient reference:

- Combine model
- Combine serial number
- Engine type and serial number
- Cab serial number
- Straw chopper serial number
- Cutting table serial number
- Date of initial start-up
- Dealer's telephone number

EC DECLARATION OF CONFORMITY

The EC Declaration of Conformity, the front and reverse sides of which are shown below, certifies that **the combine was designed and built in compliance with the regulations currently applicable within the European Community.**

The cutting table has its own EC Declaration of Conformity.


 <p>AGCO S.p.A. Via F. Laverda 15/17 36042 Breganze (VI) Italy</p>	<p>IT DICHIARAZIONE DI CONFORMITÀ CE IN CONFORMITÀ ALLE DIRETTIVE 2006/42/CE E 2004/108/CE</p> <p>CATEGORIA: 1</p> <p>E IL SUO RAPPRESENTANTE AUTORIZZATO: 2</p> <p>DICHIARA SOTTO LA PROPRIA RESPONSABILITÀ CHE IL MEZZO AGRICOLO CON LA FUNZIONE DI: METEOROLOGICHE</p> <p>MODELLO: 3</p> <p>NON COMMERCIALE: 4</p> <p>NUMERO DI SERIE: 5</p> <p>L'OGGETTO DELLA PRESENTE DICHIARAZIONE È CONFORME ALLE DISPOSIZIONI DELLA DIRETTIVA 2006/42/CE, MODIFICATA DA: 6</p> <p>E DELLA DIRETTIVA 2004/108/CE, MODIFICATA DA: 7</p> <p>NON, RUOLO E FIRMA DELLA PERSONA AUTORIZZATA: 8</p> <p>SEDE E DATA: 9</p>	<p>FR DECLARATION DE CONFORMITE CE SELON LES DIRECTIVES 2006/42/CE E 2004/108/CE</p> <p>NOMS: 1</p> <p>ET NOTRE MANDATAIRE: 2</p> <p>DECLARONS SOUS NOTRE SEULE RESPONSABILITE QUE LA MACHINE AGRICOLE AVEC POUR FONCTION: METEOROLOGIQUE</p> <p>MODELE: 3</p> <p>NON COMMERCIAL: 4</p> <p>N° DE SERIE: 5</p> <p>OBJET DE LA DECLARATION EST CONFORME AUX DISPOSITIONS DE LA DIRECTIVE 2006/42/CE, AMENDEE PAR: 6</p> <p>AINSI QU'AVEZ PRESCRIPTIONS DE LA DIRECTIVE 2004/108/CE, AMENDEE PAR: 7</p> <p>NON, FONCTION ET SIGNATURE DE LA PERSONNE AUTORISEE: 8</p> <p>LIEU ET DATE: 9</p>	<p>DA EF-ØVERENSSTEMMELSEERKLÆRING I OVERENSSTEMMELSE MED DIREKTIV 2006/42/EF OG 2004/108/EF</p> <p>VI: 1</p> <p>OG VORES AUTORSEREDE REPRÆSENTANT: 2</p> <p>ERKLÆRER UNDER EGET ANSVAR, AT LANDBRUGSMASKINEN MED FUNKTION AF: METEOROLOGISKE</p> <p>MODEL: 3</p> <p>FIRMANAVN: 4</p> <p>SERIENUMMER: 5</p> <p>DEER ER OBJEKTET AF ERKLÆRINGEN, ER ERKLÆRET I OVERENSSTEMMELSE MED BESTEMMELSENE I DIREKTIV 2006/42/EF, ANDRETT VED: 6</p> <p>SÅMÁT BESTEMMELSENE I DIREKTIV 2004/108/EF, ANDRETT VED: 7</p> <p>UNDERSKRIFTSRETTIGHEDIGES NAVN, TITEL OG UNDERSKRIFT: 8</p> <p>STED OG DATO: 9</p>
	<p>DE EG-KONFORMITÄTSERKLÄRUNG GEMÄSS DEN RIKTIGHETS 2006/42/EG UND 2004/108/EG</p> <p>VI: 1</p> <p>UND OUR AUTHORIZED REPRESENTATIVE: 2</p> <p>ERKLÄREN IN ALLEGENSER VERANTWORTUNG, DASS DAS LANDWIRTSCHAFTLICHE GERÄT MIT DER FUNKTION EINES: METEOROLOGISCHES</p> <p>MODELL: 3</p> <p>HANDELSNAME: 4</p> <p>SERIENUMMER: 5</p> <p>DAS GEGENSTAND DIESER ERKLÄRUNG IST DEN BESTIMMUNGEN FOLGENDER RICHTIGHEITSGESetze RICHTIGHEIT 2006/42/EG, ERGÄNZT DURCH: 6</p> <p>SOWIE RICHTIGHEIT 2004/108/EG, ERGÄNZT DURCH: 7</p> <p>NAMN, FUNKTION UND UNDERSKRIFT DES AUTORSEREDIGES: 8</p> <p>ORT, DATUM: 9</p>	<p>EN EC DECLARATION OF CONFORMITY IN ACCORDANCE WITH DIRECTIVES 2006/42/EC & 2004/108/EC</p> <p>WE: 1</p> <p>AND OUR AUTHORIZED REPRESENTATIVE: 2</p> <p>DECLARE UNDER OUR SOLE RESPONSIBILITY THAT THE AGRICULTURAL MACHINE WITH THE FUNCTION OF: METEOROLOGICAL</p> <p>MODEL: 3</p> <p>COMMERCIAL NAME: 4</p> <p>SERIAL NUMBER: 5</p> <p>THE SUBJECT OF THE DECLARATION IS IN CONFORMITY WITH THE PROVISIONS OF DIRECTIVE 2006/42/EC, AMENDED BY: 6</p> <p>AS WELL AS WITH THE PROVISIONS OF DIRECTIVE 2004/108/EC, AMENDED BY: 7</p> <p>NAME, ROLE AND SIGNATURE OF THE AUTHORIZED PERSON: 8</p> <p>LOCATION AND DATE: 9</p>	<p>ES DECLARACIÓN DE CONFORMIDAD CE DE ACUERDO CON LAS DIRECTIVAS 2006/42/CE Y 2004/108/CE</p> <p>NUESTROS: 1</p> <p>Y NUESTRO REPRESENTANTE AUTORIZADO: 2</p> <p>DECLARAMOS BAJO NUESTRA ÚNICA RESPONSABILIDAD LA CONFORMIDAD DE LA MÁQUINA AGRÍCOLA CON LA FUNCIÓN DE: METEOROLÓGICA</p> <p>MODELO: 3</p> <p>NOMBRE COMERCIAL: 4</p> <p>NÚMERO DE SERIE: 5</p> <p>A LA QUE SE REFIERE ESTA DECLARACIÓN CON LAS DISPOSICIONES DE LA DIRECTIVA 2006/42/CE, MODIFICADA POR: 6</p> <p>ASÍ COMO LAS DISPOSICIONES DE LA DIRECTIVA 2004/108/CE, MODIFICADA POR: 7</p> <p>NOMBRE, CARGO Y FIRMA DE LA PERSONA AUTORIZADA: 8</p> <p>LUGAR Y FECHA: 9</p>
	<p>ET EÜ VASTAVUSDEKLARAATSIOON KÕRVALDUS DIREKTIVIDEGA 2006/42/EÜ JA 2004/108/EÜ</p> <p>ME: 1</p> <p>JA MINE VOLAVUTATUD ESINDAJA: 2</p> <p>KINNITANNE ORAL TÄHEL VASTAVUSEL, ET JÄRGMINE PÕLLETUSMÄHISE KÕRVALDUS: 3</p> <p>MODEL: 3</p> <p>KÄIBANIME: 4</p> <p>SERIANUMBER: 5</p> <p>MIS ON KÄESOLEVA DEKLARAATSIOONI OBJEKTIS, ON VASTAVUSES DIREKTIVIGA 2006/42/EÜ, MIDA ON MUUDETUD: 6</p> <p>SIINSI DIREKTIVIGA 2004/108/EÜ, MIDA ON MUUDETUD: 7</p> <p>VOLAVUTATUD ISIKU NIMEL, AMET JA ALLKIRI: 8</p> <p>ASUORIKO JA RÕHUPÄEV: 9</p>	<p>FI EYÄ DIREKTIVIN 2006/42/EY JA 2004/108/EY VALMISTUSNIMENKÄSIVÖN VASTAVUUS</p> <p>ME: 1</p> <p>JA VALTUVUUTTUJUT EIVESTAJANIMI: 2</p> <p>VAKUUTAMME TÄYSSIN OMAALLA VASTUULLAMME, ETÄ MÄÄRÄTÖSÖIDÖN, JÖKÄ TOIMII LÖYKÖPÖHÖIDÖN: 3</p> <p>MODEL: 3</p> <p>KÄIBÄNIMI: 4</p> <p>SÄRIÄNUMERO: 5</p> <p>JÄ JÖKÄ MÖDÖSÖLLÄ TÄMÖN VAKUUTUKSEN KÖMÖN, ON DIREKTIVIN 2006/42/EY JA SEN MUUTÖSÖN: 6</p> <p>SEKÄ DIREKTIVIN 2004/108/EY JA SEN MUUTÖSÖN: 7</p> <p>ENÖYÖN NIMENKÄN, TÖHÖVÄ JA ALLENKÖYÖN: 8</p> <p>PAIKKA JA PÄIVÖS: 9</p>	<p>NL EG-KONFORMITEITSVERKLARING OVEREENKOMSTIG DE RICHTLIJEN 2006/42/EG EN 2004/108/EG</p> <p>WIJ: 1</p> <p>EN ONZE BEVOEGDE VERTEGENWOORDEGER: 2</p> <p>VERKLAREN ONDER ONZE UITSPRAKIGE VERANTWOORDELIJKHEID DAT DE LANDBRUGSMASCHINE MET DE FUNCTIE VAN: METEOROLOGISCH</p> <p>MODEL: 3</p> <p>HANDELSNAAM: 4</p> <p>SERIENUMMER: 5</p> <p>VALDÖR DE VERKLARING AFGEGEVENDE HEFT DE OVEREENSTEMMING IS MET DE BEPALINGEN VAN DE RICHTLIJN 2006/42/EG, ZÖALS GEREVIDIG DOOR: 6</p> <p>ALSAMDE MET DE BEPALINGEN VAN DE RICHTLIJN 2004/108/EG, ZÖALS GEREVIDIG DOOR: 7</p> <p>NAAM, FUNCTIE EN HANDTEKENING VAN DE BEVOEGDE PERSÖÖN: 8</p> <p>PLAATS EN DATUM: 9</p>
	<p>Breganze, 9</p>	nr.....	635539007234

Fig. 13

<https://www.ebooklibonline.com>

Hello dear friend!

Thank you very much for reading.

Enter the link into your browser.

The full manual is available for immediate download.

<https://www.ebooklibonline.com>