

5255 L from serial number 555000114

5255 L MCS from serial no. 555000114

6275 L from serial number 565000262

6275 L MCS from serial no. 565000262

ORIGINAL
OPERATOR'S MANUAL

FENDT

TABLE OF CONTENTS

- 1. General Information**
- 2. Operation**
- 3. Controls and Instruments**
- 4. Field Operations**
- 5. Lubrication and Maintenance**
- 6. Adjustments**
- 7. Systems**
- 8. Troubleshooting**
- 9. Off-Season Storage**
- 10. Optional Equipment**
- 11. Technical Specifications**
- 12. Alphabetical Index**

CONTENTS

	Section-page
1. GENERAL INFORMATION	
Customer information	1-1
Appropriate use	1-3
Combine identification	1-4
Ecology: information for the prevention of environmental pollution	1-9
Safety	1-10
Emergency exit	1-33
Safety devices	1-34
Machine lifting	1-42
Towing the combine	1-43
Fire resistance inside the cab	1-43
Statutory regulations	1-43
Noise level in the cab	1-44
Ambient noise in motion Directive 2009/63/EC	1-44
Vibrations in the cab	1-44
Hydraulic systems: hoses	1-45
Safety requirements for hydraulic systems and components	1-45
Scrapping and disposal	1-46
Electromagnetic emissions	1-46
Notes for road transport	1-47
Weight distribution	1-49
2. OPERATION	
Operation - Crop Processing	2-1
3. CONTROLS AND INSTRUMENTS	
Steering column	3-1
control pedals	3-2
Multifunction lever	3-3
Gear shift lever and reversing lever	3-4
control panel	3-5
Agritronicplus	3-10
Cab	3-31
Access to combine components	3-38
Starting the engine	3-41
Stopping the engine	3-42
Operations to be carried out before road transport	3-43
Before Using the Combine	3-45
4. FIELD OPERATIONS	
General Information	4-1
Starting and Stopping the Combine	4-2
Cutting table	4-3
Main Crop Elevator	4-8
Cylinder housing	4-12
Cylinder	4-13
Concave	4-14
Rear beater	4-19
Multi Crop Separator	4-20
Straw walkers	4-23
Main Grain Pan	4-24
Fanning mill	4-27
Top sieve	4-29
Bottom sieve	4-30
Returns	4-31
Grain tank	4-32

<https://www.ebooklibonline.com>

Hello dear friend!

Thank you very much for reading.

Enter the link into your browser.

The full manual is available for immediate download.

<https://www.ebooklibonline.com>

5. LUBRICATION AND MAINTENANCE

General information	5-1
Preliminary Service Inspection	5-2
Scheduled Service Inspection	5-3
Where and When to Carry Out Service Inspection	5-4
Routine Service Inspection	5-6
Scheduled maintenance work	5-8
periodical maintenance operations	5-32
Capacities and specifications - 5255 L - 5255 L MCS - 6275 L - 6275 L MCS	5-35

6. ADJUSTMENTS

Belt and chain adjustment	6-1
Belts and chains (left-hand side)	6-2
Belts and chains (right-hand side)	6-11
Reverse drive system	6-17
Slip clutches	6-19
Tyres	6-21
Parking	6-25
Rear axle	6-26
Electrical system	6-29

7. SYSTEMS

Engine supply system	7-2
Engine intake and exhaust system	7-5
Engine cooling system	7-6
Engine lubrication system	7-7
SCR system	7-8
Hydraulic system	7-10
Hydrostatic transmission system	7-16
Electrical System	7-18

8. TROUBLESHOOTING

Feeding	8-1
Threshing unit	8-1
Separation and cleaning	8-3
Hydrostatic Transmission	8-6
Engine	8-6
Auxiliary hydraulics	8-9
Auxiliary Electrical System	8-9
Straw Chopper	8-10

9. OFF-SEASON**9. STORAGE****10. OPTIONAL EQUIPMENT****11. TECHNICAL SPECIFICATIONS**

Wheels and tyres	11-1
Combine Dimensions with Tyres (mm)	11-3
Tracks	11-4
Combine Dimensions with Half-Tracks (mm)	11-5
Clearance between unloading auger and table	11-6
Technical data - models 5255 L - 6275 L	11-7
Technical data - models 5255 L MCS - 6275 L MCS	11-13

12. ALPHABETICAL INDEX

1. GENERAL INFORMATION

1.1 CUSTOMER INFORMATION

INTRODUCTION

Your new self-propelled combine is manufactured for harvesting seed and cereal crops, for threshing, separating, cleaning and conveying the grain into the tank and depositing the straw on the ground.

This Operator's Manual should be used as a practical reference guide: It contains all the necessary practical information for the operation, adjustment and maintenance of your new machine.

Your combine was designed and built to ensure optimum performance, comfort and ease-of-operation in a wide variety of crops and conditions.

The combine has been thoroughly inspected prior to delivery both at the factory and by your Dealer, to ensure you receive it in perfect condition.

To keep the combine in perfect condition and to ensure trouble-free performance, the periodical maintenance operations listed in this manual should be carried out at the recommended intervals.

Before operating and/or driving the combine, read this Operator's Manual carefully, paying particular attention to the section on safety rules.

Always keep this manual on hand for further reference.

The terms "left" and "right" are always used with reference to the machine travelling direction.

Should you require further information about the machine, please do not hesitate to contact your authorised Dealer.

Your Dealer provides specially trained personnel, genuine spare parts and the required tools to solve any problems that may arise.

NOTE:

- *This combine has been designed and built in compliance with the Machine Directive 2006/42/EC. An EC Declaration of Conformity is supplied with the machine (see facsimile on page 1-8).*
- *This manual is published for worldwide distribution, and the availability of equipment shown as standard or optional varies according to the territory in which the combine is to be used. Specifications may differ from those contained in this Operator's Manual according to the customer's requirements.*
- *In order to provide a better view of features or adjustments, certain illustrations in this manual may show an assembly with standard guards, or the guards required by law in different countries, open or removed. **However, a machine should never be operated in this condition. For your own safety, always ensure all safety guards are fitted and closed correctly before operating the machine.***
- *This Operator's Manual, along with the Operator's Manuals for the table and PTO shaft, must always be kept in the compartment under the operator's seat for storage and convenient reference.*

Company policy

In accordance with the Company's policy of continuous improvements to its products, the Company reserves the right to modify and improve its products whenever necessary and to the required extent, without any obligation to apply such modifications to previously sold products. The information contained in this Manual refers to the current situation at the time it was written. All the data given may vary.

1.2 APPROPRIATE USE

These combines are designed as self-propelled units with a diesel engine.

The machines are manufactured exclusively for usual agricultural purposes, i.e. for harvesting cereal, seed, rice, maize, soya, etc. by cutting or picking-up the crop, threshing and separating the grains from the ears, delivering the grains in the grain tank and unloading them into the grain wagon.

When operating the machine, make sure the cab doors are shut. The operator and instructor, if present, must remain seated in their respective seats with their seatbelts fastened (the operator should not drive the machine when standing).

The machines may be operated only by skilled personnel, who are thoroughly familiar with all the machine's functions and harvesting techniques.

Machine stability is ensured on the following inclinations, on condition that the ground is firm and the tyres offer sufficient grip:

30% (18 °) longitudinally (uphill and downhill).

30% (18 °) crosswise.

These machines are designed for working on level ground to ensure even distribution of the crop inside the machine. **These models HAVE NOT been developed for working on sloping ground.**

Forbidden uses

TABLE TYPES

The 5255 L - 6275 L combines can be equipped with a 480, 540, 600, 700 or 760 cm cutting table.

NOTE: *In this manual, the term “table/s” signifies both the cutting table and the maize header when used generically. The term “cutting table” refers to the assembly consisting of reel, cutting bar, table auger, etc. used to harvest cereal, rice, soya, etc. The term “maize header” refers to the equipment formed by stalk grippers, stripping blades, conveyor chains, etc. used for maize harvesting.*

GENERAL INFORMATION

1.3 COMBINE IDENTIFICATION

The combine and its main components are identified by serial numbers and/or production codes. The position of the different identification data is described below.

NOTE: Always quote the combine serial number when contacting your Dealer for spare parts or assistance.

Combine approval and safety plates - Fig. 1 and Fig. 2

The manufacturer's type plate (1), statutory for all countries or (2, for France only), is positioned on the outer right-hand side of the operator platform and shows the following information:

- Combine type.
- Approval number.
- Combine serial number.
- Weight (on both axes).
- Towing weight.

For further details, please refer to the type approval certificate.

The safety plate (3) is located next to the approval plate, and guarantees that the combine was built in compliance with Machinery Directive Directive 2006/42/EC as well as Directive 2004/108/EC.

This plate shows the following information:

- Year of manufacture and year of use.
- Model and type of product.
- Combine serial number.
- Total weight (normal configuration).
- Nominal engine power.
- Maximum towing weight.
- Maximum vertical load on the trailer hitch.

In certain countries (e.g. Russia) the manufacturer's type plate is positioned next to another plate corresponding to the type approval.

Combine identification

Fig. 3

Combine type and serial number appear on the plate and are also punched into the rear right-hand side of the frame (1).

The top plate is a technical specification sheet with the following fields:
- Logo: AGCO Your Agriculture Company
- Address: AGCO International GmbH (Neuhausen am Rheinfall, SWITZERLAND) / No. authorised representative AGCO S.A. (Beauvais) FRANCE
- Fields: Type / Type / Typ, N° homologation / Approval No. / Nr. homologation, N° Identif. / Fabric. Ident. No., Masse max. adm. / Total adm weight / Zul. ges. Gew., Masse / avec option / Front / Zul. Achse avant, Masse / sans option / Rear / Zul. Achse Arrière, Masse remorquable / Trailer load / Zul. Anhängelast, and a section for 'Autres données' (Other data) with sub-fields for 'Cylindres' (Cylinders) and 'Puissance' (Power).

The bottom plate is a manufacturer's type plate with the following fields:
- Logo: AGCO Your Agriculture Company
- Address: AGCO S.A. 41, Avenue Blaise Pascal 60026 BEAUVAIS - FRANCE
- Fields: N° de serie, Type, Variante, Version, PTAC (Kg), PTRR (Kg), and a section for 'Messes maximales admissibles' (Maximum admissible weights) with sub-fields for 'sur l'anneau' (on the ring) and 'sur l'essieu' (on the axle) for three different axle configurations. It also includes fields for 'Receptionne à Amiens' and 'Date de reception' (Date of reception).

Fig. 1

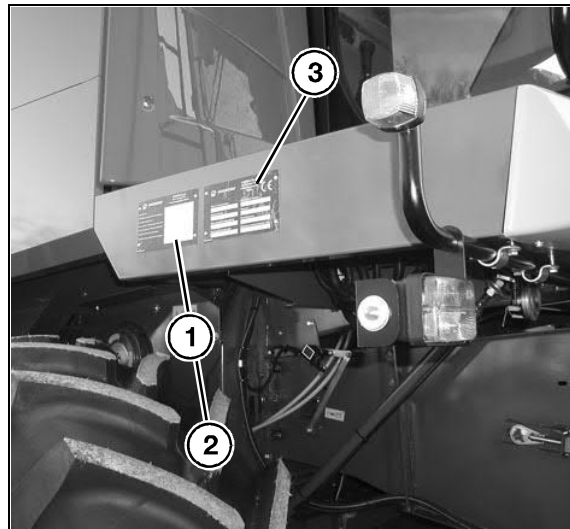


Fig. 2

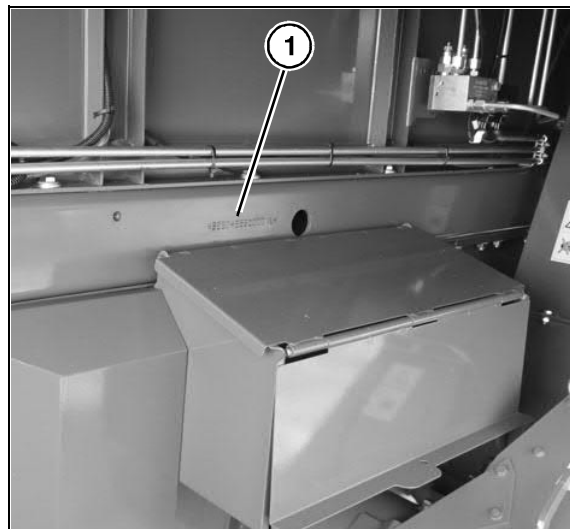


Fig. 3

Engine identification

Fig. 4

The engine is identified by the plate (1) stating:

- Engine manufacturer
- Engine type
- Engine power and rated speed
- Engine serial number
- Valve clearance
- Customer reference code
- Idling speed
- Compliance with Directive 97/68/EC
- Name of the engine assembler.

The engine serial number is always also stamped on the cylinder block.

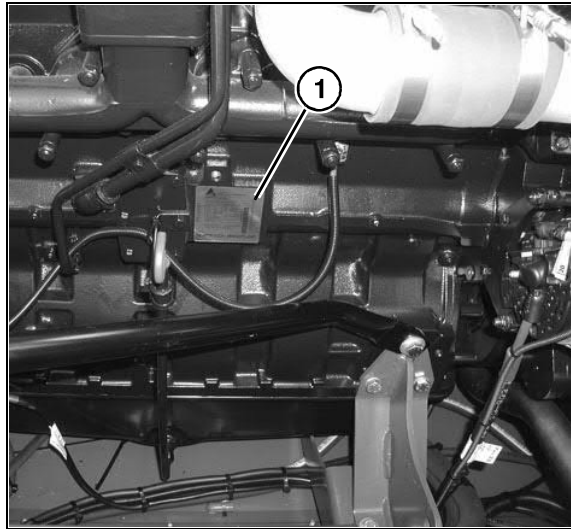


Fig. 4

Straw chopper identification (if fitted)

Fig. 5

The type plate is located on the right-hand side next to the straw chopper rotor support.

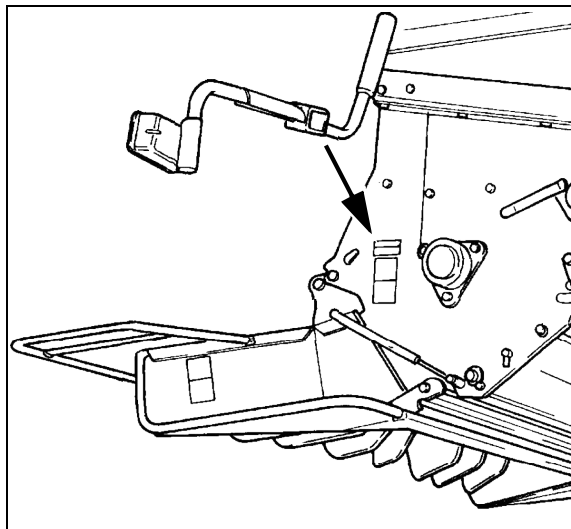


Fig. 5

Cutting table identification

Fig. 6

The cutting table can be identified by a metal plate affixed on the left-hand side.

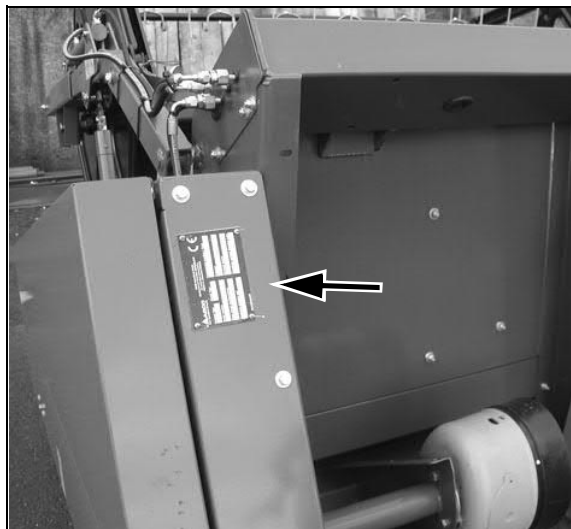


Fig. 6

GENERAL INFORMATION

Cab identification

Fig. 7

The cab identification plate is located on the lower left-hand corner of the driver's seat.

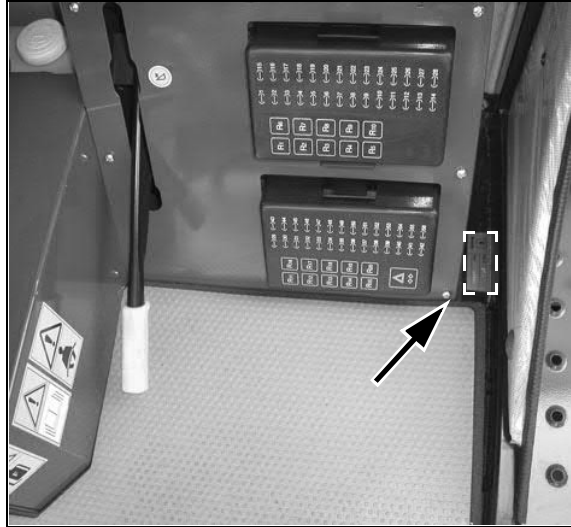


Fig. 7

Hydrostatic pump identification

Fig. 8

The type plate is located on the front part of the pump.

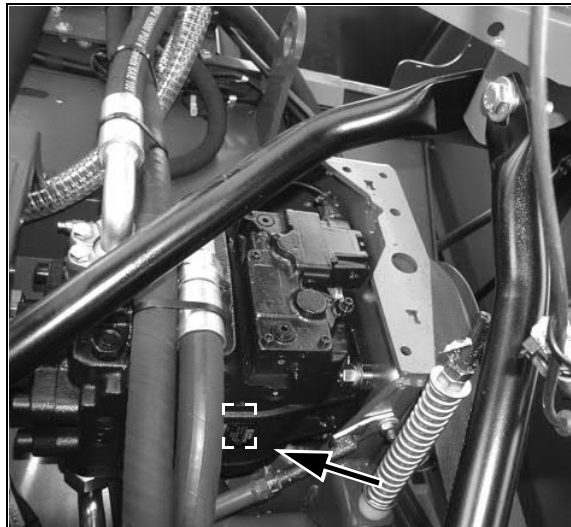


Fig. 8

Hydrostatic motor identification

Fig. 9

The type plate is located on the lower part of the motor.

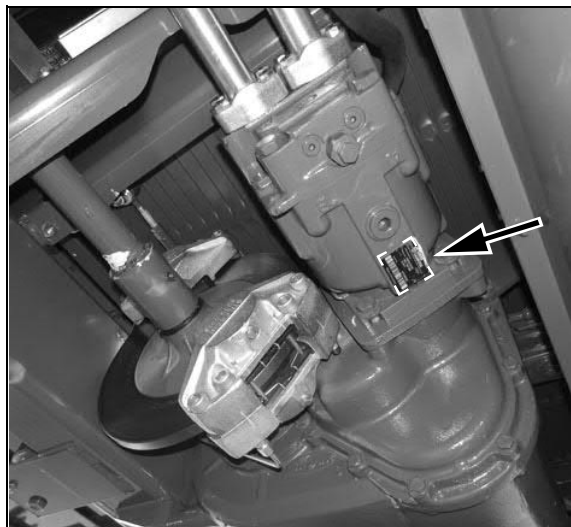


Fig. 9



Suggest:

For more complete manuals. Please go to the home page.

<https://www.ebooklibonline.com>

If the above button click is invalid. Please download this document first, and then click the above link to download the complete manual.

Thank you so much for reading

Chaff spreader identification (if fitted) - Fig. 10

The type plate is located on the right-hand side next to the chaff spreader adjustment lever.

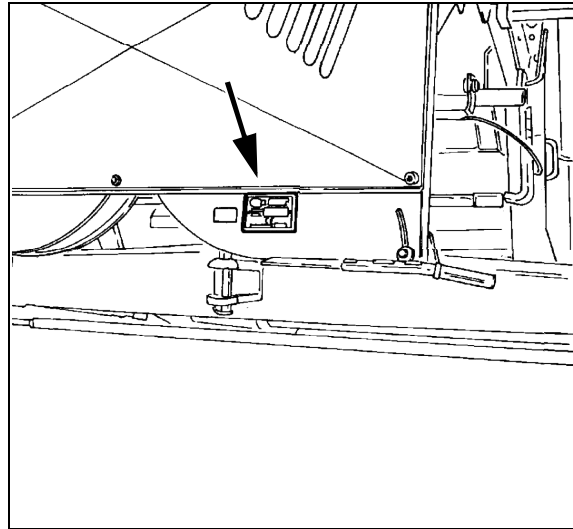


Fig. 10

Trailer hitch identification (if fitted) - Fig. 11

The plate is positioned on the right-hand side of the trailer hitch.

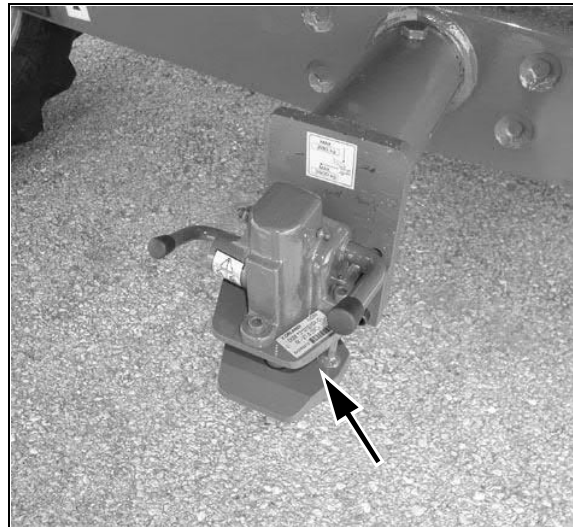


Fig. 11

<https://www.ebooklibonline.com>

Hello dear friend!

Thank you very much for reading.

Enter the link into your browser.

The full manual is available for immediate download.

<https://www.ebooklibonline.com>