

# Combines

## FENDT 5255 L - 6275 L

*FENDT 5255 L / 5255 L MCS - S/N => ZN205550\_03020001*  
*FENDT 5255 L PL - S/N => ZN205554\_03000001*  
*FENDT 6275 L / 6275 L MCS - S/N => ZN205650\_03020001*  
*FENDT 6275 L PL - S/N => ZN205654\_03000001*



# TABLE OF CONTENT

- General Information ..... 1
- Safety ..... 2
- Operation ..... 3
- Controls and Instruments ..... 4
- Field Operations ..... 5
- Lubrication and Maintenance ..... 6
- Adjustments ..... 7
- Systems ..... 8
- Troubleshooting ..... 9
- Off-Season Storage ..... 10
- Optional equipment ..... 11
- Technical Specifications ..... 12

# 1. General Information

<b>1.1 Information</b> .....	<b>17</b>
1.1.1 Introduction .....	17
1.1.2 Company policy .....	17
1.1.3 Optional equipment .....	17
1.1.4 Spare parts and accessories .....	18
1.1.5 Warranty .....	18
1.1.6 Lubricants .....	18
<b>1.2 Use</b> .....	<b>20</b>
1.2.1 Use of the combine .....	20
<b>1.3 Identification</b> .....	<b>22</b>
1.3.1 Combine identification .....	22
1.3.2 Engine Identification .....	23
1.3.3 Cutting table identification .....	24
1.3.4 Operator seat identification .....	24
1.3.5 Hydrostatic pump identification .....	25
1.3.6 Hydrostatic motor identification .....	25
1.3.7 Straw chopper identification (if fitted) .....	26
1.3.8 Chaff spreader identification (if fitted) .....	26
1.3.9 Trailer hitch identification (if fitted) .....	27
<b>1.4 Identification form</b> .....	<b>28</b>
1.4.1 Machine data .....	28
<b>1.5 Conformity</b> .....	<b>29</b>
1.5.1 EC Declaration of Conformity .....	29
<b>1.6 Information</b> .....	<b>30</b>
1.6.1 Ecology .....	30
1.6.2 Hydraulic systems: hoses .....	30
1.6.3 Scrapping and disposal .....	31
<b>1.7 Weight</b> .....	<b>32</b>
1.7.1 Weight distribution .....	32

**<https://www.ebooklibonline.com>**

Hello dear friend!

Thank you very much for reading.

Enter the link into your browser.

The full manual is available for immediate download.

**<https://www.ebooklibonline.com>**



---

## 1.1 Information

---

### 1.1.1 Introduction

---

Your new self-propelled combine is manufactured for harvesting seed and cereal crops, for threshing, separating, cleaning and conveying the grain into the tank and depositing the straw on the ground.

This Operator's Manual should be used as a practical reference guide: It contains all the necessary practical information for the operation, adjustment and maintenance of your new machine.

Your combine was designed and built to ensure optimum performance, comfort and ease-of-operation in a wide variety of crops and conditions.

The combine has been thoroughly inspected prior to delivery both at the factory and by your Dealer, to ensure you receive it in perfect condition.

To keep the combine in perfect condition and to ensure trouble-free performance, the periodical maintenance operations listed in this manual should be carried out at the recommended intervals.

**Before operating and/or driving the combine, read this Operator's Manual carefully, paying particular attention to the section on safety rules.**

**Always keep this manual on hand for further reference.**

The terms "left" and "right" are always used with reference to the machine traveling direction.

Should you require further information about the machine, please do not hesitate to contact your authorized Dealer. Your Dealer provides specially trained personnel, genuine spare parts and the required tools to solve any problems that may arise.

#### NOTE:

- *This combine has been designed and built in compliance with the Machine Directive 2006/42/EC. A CE Declaration of Conformity is supplied with the machine (see specific chapter).*
- *This manual is published for worldwide distribution, and the availability of equipment shown as standard or optional varies according to the territory in which the combine is to be used. Specifications may differ from those contained in this Operator's Manual according to the customer's requirements*
- *In order to provide a better view of features or adjustments, certain illustrations in this manual may show an assembly with standard guards, or the guards required by law in different countries, open or removed.*



**DANGER: However, a machine should never be operated in this condition.**

**For your own safety, always ensure all safety guards are fitted and closed correctly before operating the machine.**

- *This Operator's Manual, along with the Operator's Manuals provided for the power take-off shaft and the table trailer, must always be kept in the compartment under the operator's seat for storage and convenient reference.*

---

### 1.1.2 Company policy

---

In accordance with the Company's policy of continuous improvements to its products, the Company reserves the right to modify and improve its products whenever necessary and to the required extent, without any obligation to apply such modifications to previously sold products.

The information contained in this Manual refers to the current situation at the time it was written. All the data given may vary.

---

### 1.1.3 Optional equipment

---

Your machine was designed to operate in a wide variety of crops and conditions.

However, in certain cases it may be necessary to fit additional accessories to improve machine performance or adapt the machine to harvesting special crops.

A list of available accessories is provided in the chapter **Optional equipment**.

---

### 1.1.4 Spare parts and accessories

---

The genuine spare parts and accessories have been specifically designed for this type of machine.

Only genuine parts supplied by your authorized Dealer can guarantee correct operation and optimum performance.

Never use non-genuine spare parts or accessories: Some accessories (e.g. PTO shafts, straw choppers, tables) require an EC certification, which can be provided only by the manufacturer or his qualified and recognized sub-suppliers.

Non-genuine spare parts have not been tested and are not authorized by the manufacturer.

The use of such equipment may have a damaging effect on the design features of the machine and may even jeopardize operational safety.

**The manufacturer disclaims all liability in the event of loss or damage arising as a result of non-genuine parts or accessories being fitted.**

It is expressly prohibited to make any modification to the combine without the prior written authorisation by the manufacturer.

When ordering spare parts and/or optional equipment, always quote your combine model and serial number (see chapter **Combine identification**).

---

### 1.1.5 Warranty

---

Your combine is warranted in compliance with the regulations in force in your country and the agreements made with your Dealer.

However, the warranty becomes void in the following situations:

1. If the machine has been used inappropriately.
2. If adjustments and maintenance have not been carried out according to the instructions in this manual.
3. If the failures are caused by the use of non-genuine spare parts or accessories.
4. If damage is the result of carelessness, negligence, inappropriate use of the machine or operational errors. If the safety devices are removed and/or non-genuine spare parts are used, the warranty becomes void automatically and the manufacturer disclaims any liability.

The warranty applies only to repair or free replacement of parts proving defective after a careful inspection by the manufacturer (excluding wear parts and tires), as described in the Combine Service Record Book. In the event that warranted parts are replaced or repaired, warranty terms are not extended. The customer can assert his warranty rights only insofar as the warranty conditions contained in the Service Record Book have been observed.

---

### 1.1.6 Lubricants

---

Your Dealer can provide a wide range of special lubricants, produced according to the specific technical specifications of the combine.

For these combines we recommend the use of the lubricants listed in the chapter **Capacities and specifications** of the section **Lubrication and maintenance**.

Always use genuine AGCO parts, the only parts which bear this trademark:

## 1.2 Use

### 1.2.1 Use of the combine

These combines are designed as self-propelled units with a diesel engine.

The machines are manufactured exclusively for usual agricultural purposes, i.e. for harvesting cereal, seed, rice, maize, soya, etc. by cutting or picking-up the crop, threshing and separating the grains from the ears, delivering the grains in the grain tank and unloading them into the grain wagon.

Machine performance may be limited by various factors such as harvesting speed, weather conditions, ground characteristics and the type and degree of ripeness of the crop.

When operating the machine, make sure the cab doors are shut. The operator and instructor (or trainee), if present, must remain seated in their respective seats with their seatbelts fastened (the operator should not drive the machine when standing).

The machines must be operated only by skilled operators who know all the machine's functions and harvesting techniques.

If the ground is uniform and the tires offer sufficient grip, the machine stability is ensured on the following inclinations:

- FENDT 5255 L and FENDT 6275 L models
  - 20% (11°) longitudinally (uphill and downhill).
  - 20% (11°) crosswise.
- FENDT 5255 L PL and FENDT 6275 L PL models
  - 30% (18°) longitudinally (uphill and downhill).
  - 30% (18°) crosswise.

#### **FENDT 5255 L - 6275 L models**

These models are designed for working on level ground to ensure even distribution of the crop inside the machine. **These models HAVE NOT been developed for working on sloping ground.**

#### **FENDT 5255 L PL - 6275 L PL models**

These models have been expressly designed for harvesting crops on hilly but firm ground.

The front levelling system ensures that the machine body remains perfectly horizontal up to a gradient of 20% (15% for machines not equipped with rear-wheel drive).

The system that varies the front track width operates correctly only when the machine is in motion.

#### **Forbidden uses**

Do not use the machine for tasks or purposes other than those specified in this Manual, on the safety decals or on other safety information provided with the machine.

The following pages contain recommendations on correct and incorrect use of the machine when traveling on public roads, during field operations and during maintenance.

Many machine functions relating to safety are managed by the software.

Do not try to modify or replace the software. You risk destroying the machine's settings and the operating logic.

Such tampering could lead to unpredictable and abnormal behavior, making it unsafe (for the operator(s) and the machine).

Only your Dealer is authorized to intervene on the machine software.

The machine's maximum speed on the road is limited and controlled by the software. Do not try to change it.

**Table types**

These combine harvesters may use FreeFlow or PowerFlow cutting tables.

**NOTE:** *In this manual, the term "table/s" signifies both the cutting table and the maize header when used generically. The term "cutting table" refers to the assembly consisting of reel, cutting bar, table auger, etc. used to harvest grain, barley, rice, soya, etc. The term "maize header" refers to the assembly consisting of stalk grippers, stripping blades, conveyor chains, etc. used for harvesting maize.*

## 1.3 Identification

### 1.3.1 Combine identification

The combine and its main components are identified by serial numbers and/or production codes.

The position of the different identification data is described below.

**NOTE:**

*Always quote the combine serial number when contacting your Dealer for spare parts or assistance.*

#### Combine approval and safety plates

The manufacturer's type plate (1), statutory for all countries (or (2), for France only), is positioned on the outer right-hand side of the operator platform and shows the following information:

- Combine type
- Approval number
- Combine serial number
- Total maximum permitted weight
- Weight (on both axles)
- Towing weight

For further details, please refer to the type approval certificate.

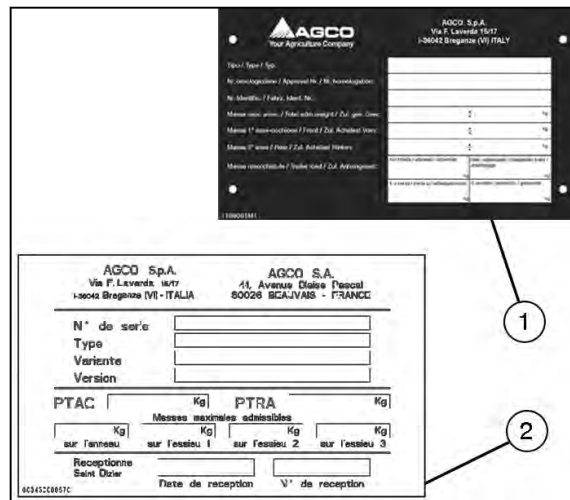


Fig. 2

The safety plate (3) is located next to the approval plate, and guarantees that the combine was built in compliance with Machinery Directive 2006/42/EC as well as Directive 2004/108/EC.

This plate shows the following information:

- Manufacturing year
- Marketing year
- Model
- Combine serial number
- Crop type
- Total weight (normal configuration)
- Nominal engine power
- Maximum towing weight
- Maximum vertical load on the trailer hitch

In certain countries (e.g. Russia) these two plates are positioned next to an additional decal/plate corresponding to the approval for that specific country.



Fig. 3

**Combine identification**

Combine type and serial number appear on the plate and are also punched into the rear right-hand side of the frame (1).

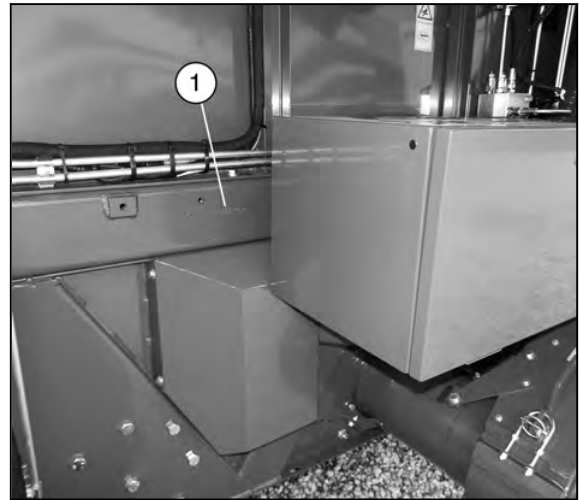


Fig. 4

**1.3.2 Engine Identification**

The engine is identified by the type plate (1) in the middle of the cylinder block.

The following information appears on the plate (1):

- Manufacturer
- type
- Engine power and rated speed
- Engine serial number
- Valve clearance
- Customer reference code
- Idling speed
- Compliance with Directive 97/68/EC
- Name of the engine assembler.

The engine serial number is always also stamped on the cylinder block.

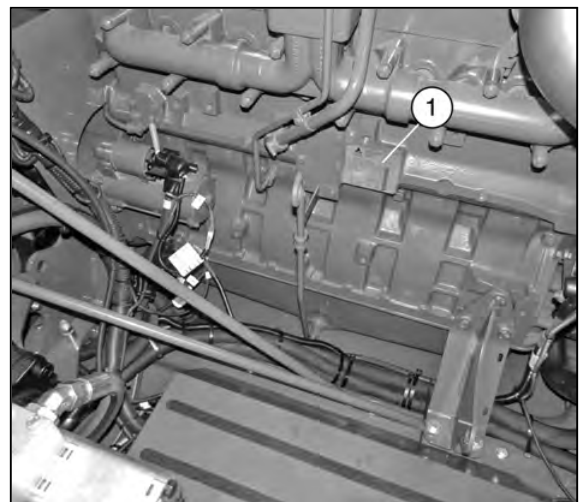


Fig. 5

### 1.3.3 Cutting table identification

The cutting table can be identified by a metal plate affixed on the left-hand side.



Fig. 6

### 1.3.4 Operator seat identification

The identification plate is located on the seat support. If you move the seat fully forward, you can access it.



Fig. 7

### 1.3.5 Hydrostatic pump identification

The type plate (1) is located on the front part of the pump.

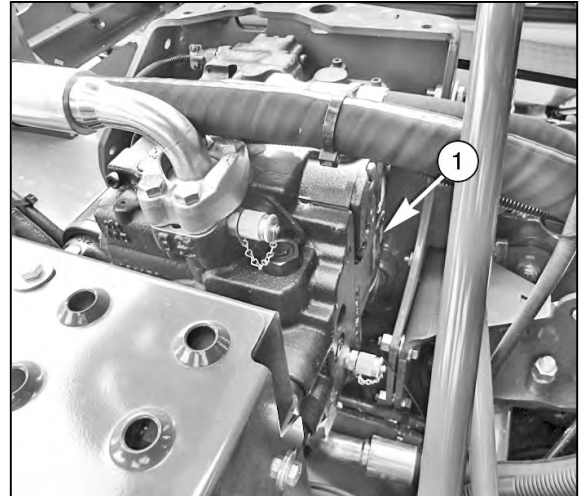


Fig. 8

### 1.3.6 Hydrostatic motor identification

The type plate is located on the lower part of the motor.

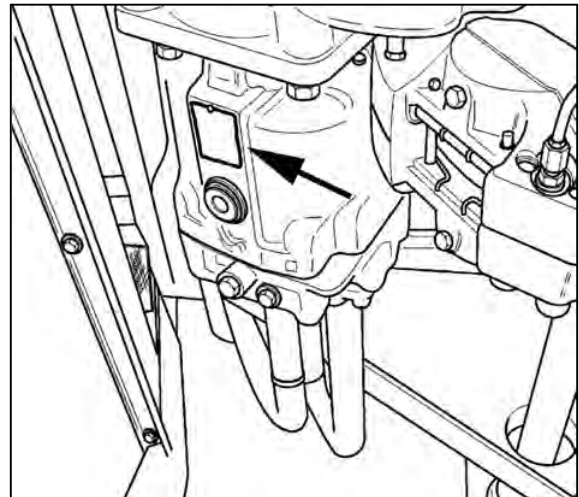


Fig. 9

### 1.3.7 Straw chopper identification (if fitted)

The straw chopper type plate is located on the right-hand side next to the rotor support.

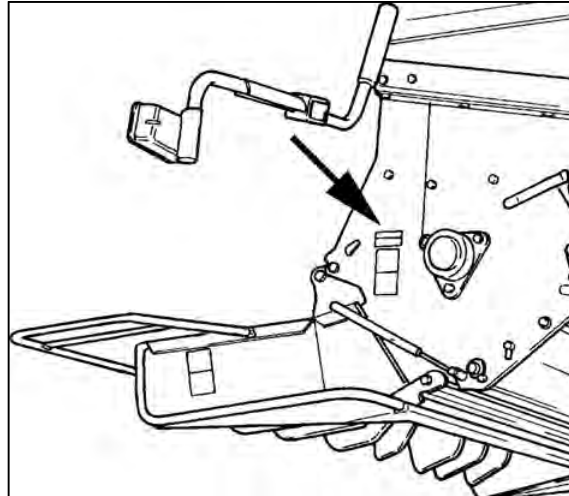


Fig. 10

### 1.3.8 Chaff spreader identification (if fitted)

The type plate is located on the right-hand side next to the chaff spreader adjustment lever.

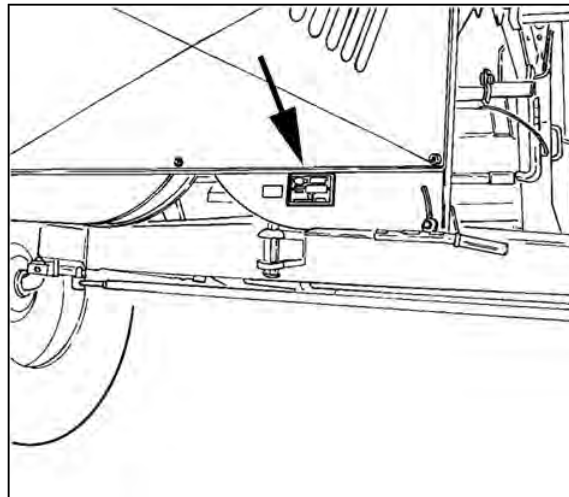


Fig. 11

**1.3.9 Trailer hitch identification (if fitted)**

The plate is positioned on the right-hand side of the trailer hitch.

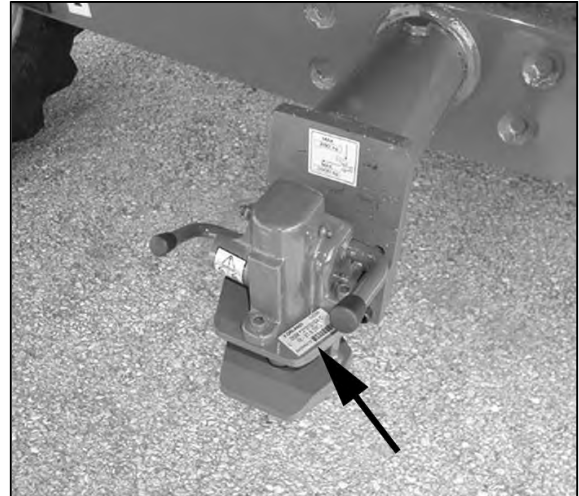


Fig. 12



---

## 1.4 Identification form

---

### 1.4.1 Machine data

---

**Please enter the identification details of your combine on this card for convenient reference:**

Combine model	_____
Combine serial number	_____
Engine type and serial number	_____
Cab serial number	_____
Straw chopper serial number	_____
Cutting table serial number	_____
Date of initial start-up	_____
Dealer's telephone number	_____

## 1.5 Conformity

### 1.5.1 EC Declaration of Conformity

The CE Declaration of Conformity, shown below, certifies that the combine was designed and built in compliance with the regulations currently applicable within the European Community.

The cutting table has its own EC Declaration of Conformity.

<p><b>AGCO S.p.A.</b> Via F. Laverda 15/17 36042 Breganze (VI) Italy</p>	<p><b>IT</b> DICHIARAZIONE DI CONFORMITÀ CE IN CONFORMITÀ ALLE DIRETTIVE 2006/42/CE E 2004/109/CE</p> <p>CAZIONALE ..... 1</p> <p>IL SUO RAPPRESENTANTE AUTORIZZATO ..... 2</p> <p>DECLARA SOTTO LA PROPRIA RESPONSABILITÀ CHE IL MODELLO SOPRACCIAMATO È IN CONFORMITÀ CON LA FUNZIONE DI: MOTOCOMBINE AUTONOME</p> <p>MODELLO ..... 3</p> <p>NUMERO COMMERCIALE ..... 4</p> <p>NUMERO DI SERIE ..... 5</p> <p>L'OGGETTO DELLA PRESENTE DICHIARAZIONE È CONFORME ALLE DISPOSIZIONI DELLA DIRETTIVA 2006/42/CE, MODIFICATA DA ..... 6</p> <p>IL MODELLO ..... 7</p> <p>NOME, COGNOME E FIRMA DELLA PERSONA AUTORIZZATA ..... 8</p> <p>LUOGO E DATA ..... 9</p>	<p><b>FR</b> DECLARATION DE CONFORMITE CE SELON LES DIRECTIVES 2006/42/CE ET 2004/109/CE</p> <p>NOUS ..... 1</p> <p>ET NOTRE REPRESENTANT ..... 2</p> <p>DECLARONS SOUS NOTRE RESPONSABILITE QUE LA MACHINE SOPRACCIAMATA REMPLIT LA FONCTION DE: MOTOCOMBINE AUTONOME</p> <p>MODELE ..... 3</p> <p>NUM COMMERCIAL ..... 4</p> <p>N° DE SERIE ..... 5</p> <p>L'OBJET DE LA DECLARATION EST CONCERNE PAR LES DISPOSITIONS DE LA DIRECTIVE 2006/42/CE, MODIFIEE PAR ..... 6</p> <p>AUO QU'ELLE PRECISEMENT DE LA DIRECTIVE 2006/42/CE MODIFIEE PAR ..... 7</p> <p>NOM, NOM DE LA PERSONNE DE LA PERSONNE AUTORISEE ..... 8</p> <p>END ET DATE ..... 9</p>	<p><b>DA</b> EF-ÖVERENSSTÄMMELSESMÅTTILSÅG I ENFÖRSELLENS OCH DIREKTIV 2006/42/EG OCH 2004/109/EG</p> <p>VI ..... 1</p> <p>ÖS VORES AUTORIZERADE REPRÄSENTANT ..... 2</p> <p>DECLARER UNDER TÖST ÅNSVAR, AT SÄNDRETSÄGAREN HÄR FÖRKLARAR AT: MOTOKOMBINER</p> <p>MODEL ..... 3</p> <p>FIRMANUMR ..... 4</p> <p>SERIENUMMER ..... 5</p> <p>DES CE DÉCLARÉ ET DÉCLARÉ EN DÉCLARÉ EN DÉCLARÉ OBTENUES EN DÉCLARÉ EN DÉCLARÉ EN DÉCLARÉ 2006/42/CE, MODIFIEE PAR ..... 6</p> <p>SAUF DÉCLARÉ EN DÉCLARÉ EN DÉCLARÉ 2004/109/CE, MODIFIEE PAR ..... 7</p> <p>DESIGNÉES EN DÉCLARÉ EN DÉCLARÉ EN DÉCLARÉ TITRE DE DÉCLARÉ EN DÉCLARÉ ..... 8</p> <p>DES EN DATE ..... 9</p>
	<p><b>DE</b> EU-KONFORMITÄTSERKLÄRUNG GEMÄSS DEN DIREKTIV 2006/42/EG UND 2004/109/EG</p> <p>WIR ..... 1</p> <p>UND UNSERE BEZUGSPERSON ..... 2</p> <p>ERKLÄREN IN ALLEINGEN VERANTWORTUNG, DASS DAS NACHFOLGEND NENNTE GEBÄUDE MIT DER FUNKTION VON: MOTOKOMBINER</p> <p>MODELL ..... 3</p> <p>WIRTSCHAFTSNAME ..... 4</p> <p>SERIE-NUMMER ..... 5</p> <p>DAS GEBÄUDE WIRD ERKLÄRT IN ÜBEREINSTIMMUNG MIT DEN VERORDNUNGEN DER RICHTLINIE 2006/42/EG, WIE DIES DURCH ..... 6</p> <p>SOWIE AUCH MIT DEN VERORDNUNGEN DER RICHTLINIE 2004/109/EG, WIE DIES DURCH ..... 7</p> <p>NAMEN, NACH- UND UNTERSCHRIFT DER AUTORISIERTEN PERSON ..... 8</p> <p>ORT, DATUM ..... 9</p>	<p><b>EN</b> CE DECLARATION OF CONFORMITY IN ACCORDANCE WITH DIRECTIVES 2006/42/EC &amp; 2004/109/EC</p> <p>WE ..... 1</p> <p>AND OUR AUTHORIZED REPRESENTATIVE ..... 2</p> <p>DECLARE UNDER OUR SOLE RESPONSIBILITY THAT THE AGRICULTURAL MACHINE WITH THE FUNCTION OF COMBINE HARVESTER</p> <p>MODEL ..... 3</p> <p>COMMERCIAL NAME ..... 4</p> <p>SERIAL NUMBER ..... 5</p> <p>FORMING THE SUBJECT OF THE DECLARATION IS IN CONFORMITY WITH THE PROVISIONS OF DIRECTIVE 2006/42/EC, AMENDED BY ..... 6</p> <p>AS WELL AS WITH THE PROVISIONS OF DIRECTIVE 2004/109/EC, AMENDED BY ..... 7</p> <p>NAME, ROLE AND SIGNATURE OF THE AUTHORIZED PERSON ..... 8</p> <p>LOCATION AND DATE ..... 9</p>	<p><b>ES</b> DECLARACIÓN DE CONFORMIDAD CE DE ACUERDO CON LAS DIRECTIVAS 2006/42/CE Y 2004/109/CE</p> <p>Nosotros ..... 1</p> <p>y nuestro representante autorizado ..... 2</p> <p>DECLARAMOS BAJO NUESTRA ÚNICA RESPONSABILIDAD LA CONFORMIDAD DE LA MÁQUINA AGRÍCOLA CON LA FUNCIÓN DE: COMBINEAR</p> <p>MODELO ..... 3</p> <p>NOMBRE COMERCIAL ..... 4</p> <p>NÚMERO DE SERIE ..... 5</p> <p>A LA QUE SE REFIERE ESTA DECLARACIÓN CON LAS DISPOSICIONES DE LA DIRECTIVA 2006/42/CE, MODIFICADA POR ..... 6</p> <p>ASÍ COMO LAS DISPOSICIONES DE LA DIRECTIVA 2004/109/CE, MODIFICADA POR ..... 7</p> <p>NOMBRE, CARGO Y FIRMA DE LA PERSONA AUTORIZADA ..... 8</p> <p>LUGAR Y FECHA ..... 9</p>
	<p><b>ET</b> EU VASTAVASTAVATUSEKS MOTOKOMBINEERIDELE 2006/42/EG JA 2004/109/EG</p> <p>MEIE ..... 1</p> <p>JA MEIE VÕLTOUETUD ESINDAJA ..... 2</p> <p>ENIMESITAM DÕNA TÕELI VASTUTUSEL, ET JÄRGMINE PÕLVÕUKOMBIINER MÕELDAB</p> <p>MODEL ..... 3</p> <p>KÄIBENIMINE ..... 4</p> <p>SERIE-NUMBER ..... 5</p> <p>MAKSIM KÄITSEVA KÕRVALDUSEKOHAL VÕLTOUETUD DIREKTIVAGA 2006/42/EG, NÕIA ON MU- DUSTUD ..... 6</p> <p>NÕIA OLSI KÕRVALDUSEKOHAL VÕLTOUETUD DIREKTIVAGA 2004/109/EG, NÕIA ON MU- DUSTUD ..... 7</p> <p>VÕLTOUETU PÕRVI NIMI, AMET JA ALLKIRJUTUS ..... 8</p> <p>ASUKOHA JA KUUPÄEV ..... 9</p>	<p><b>FI</b> EU:N SUORITUS 2006/42/EY JA 2004/109/EY MOTOKOMBINAATTIEN SUORITUS</p> <p>ME ..... 1</p> <p>JA VASTAVATUSTE ESIVASTAANAJA ..... 2</p> <p>VASTAVUUTTA TILITSEM ONSALLA VASTAVUUTTAANNA, ETTE MÄÄRÄTYSKÖNÄ, NÄIN KUNNAN LÄHESKÄYTTÖMÄÄRÄ</p> <p>MODEL ..... 3</p> <p>KÄYTTÖNIMI ..... 4</p> <p>SARJANUMERO ..... 5</p> <p>JA NÄIN MÄÄRÄTYSKÖNÄ VASTAVUUTTAANNA VASTAVUUTTAANNA, ONS DIREKTIVAGA 2006/42/EY JA SEN MUUTOSTEN ..... 6</p> <p>SEKA DIREKTIVAGA 2004/109/EY JA SEN MUUTOSTEN ..... 7</p> <p>SOITTAJA NIMEN KÄYTTÖNIMEN NIMI ON NIMI, NIMEN JA ALLEKIRJUTUS ..... 8</p> <p>PAIKKA JA PÄIVÄYS ..... 9</p>	<p><b>NL</b> EU-CONFORMITEITSVERKLARING OVERENSSTEMMING MET DE RICHTLIJNEN 2006/42/EG EN 2004/109/EG</p> <p>WIJ ..... 1</p> <p>EN ONZE BEVOEGDE VERTEGENWOORDIGER ..... 2</p> <p>VERKLAREN ONDER ONZE VOORWAARDE VERANTWOORDELING DAT DE LANDBOUWMACHINE MET DE FUNCTIE VAN: MOTOKOMBINER</p> <p>MODEL ..... 3</p> <p>WIRTSCHAFTSNAAM ..... 4</p> <p>SERIE-NUMMER ..... 5</p> <p>WAKROEF DE VERKLARING BETREFFENDE NIET DE VOORWAARDE EN NIET DE WERKING VAN DE RICHTLIJNEN 2006/42/EG, ZONDERGEMIDDELD DOOR ..... 6</p> <p>ALSIEME NIET DE VOORWAARDE EN NIET DE WERKING 2004/109/EG, ZONDERGEMIDDELD DOOR ..... 7</p> <p>NAAM, FUNCTIE EN HANDTEKENING VAN DE BEVOEGDE PERSOON ..... 8</p> <p>PLAATS EN DATUM ..... 9</p>
	<p>Breganze, ..... 9</p>	<p>nr. ....</p>	<p>635539007234</p>

Fig. 13

---

## 1.6 Information

---

### 1.6.1 Ecology

---

#### Information for the prevention of environmental pollution

Soil, air and water are essential for agriculture and all life on earth. **Protect them.** In areas where no local regulations impose standards for the use and disposal of chemicals and petrochemical products required by modern technology, all necessary precautions must be adopted to avoid any risk of pollution.

The following guidelines may be helpful:

- Find out about the legal requirements in your country and comply strictly with them.
- If no regulations are in force, ask your Dealer about the effects of lubricants, fuels, antifreeze mixtures, cleaning agents etc. on people and the environment. Also ask how to store, use and dispose of such products correctly. In most cases, agricultural advisers will be able to answer your questions satisfactorily.

#### Important Notes

1. When refueling the machine, take all necessary precautions to avoid fuel spillage. In particular, avoid using pressurized containers or fuel supply systems, as these are unsuitable.
2. As a rule, avoid any skin contact with liquid fuels, lubricants, acids, solvents etc. Most of these products contain substances that are potentially harmful.
3. **Do not dispose of lubricants by burning: They contain substances that may be noxious when burned.**
4. Whenever possible, use biodegradable oil for lubricating the chains, as this oil cannot be collected.
5. Avoid spillage while draining oil, brake fluid, coolant etc. from the engine, gearbox and hydraulic system. Collect the fluids in suitable containers and dispose of them properly, according to regulations in force and the availability of suitable systems.
6. Modern coolants and mixtures, e.g. antifreeze and other additives, must be replaced every two years. Never let them drain into the ground; collect and dispose of them safely.
7. Never open or modify the air conditioning system. It contains gases which must not be released in the atmosphere. Contact your Dealer or a specialist who has the correct equipment for emptying and recharging the system and for carrying out any required maintenance or repair.
8. Immediately repair any leaks or defects in the engine cooling or hydraulic system to prevent any risk of pollution.
9. Never increase the pressure in a pressurized system. This may cause the components to burst.
10. When welding, protect the hoses properly against welding spatters that could damage or weaken hoses and sleeves, resulting in oil and coolant leaks.

---

### 1.6.2 Hydraulic systems: hoses

---

Hoses are an important part of modern machines.

Hose features may change over the years when exposed to pressure, vibrations, weather conditions, etc.

Inspect the hydraulic hoses at the beginning of each new harvesting season.

Regulations in force (e.g. DIN 20066) require hose replacement six years from manufacturing (the manufacturing date is printed on most hoses, which helps determine when replacement is due).

**It is important to observe these recommendations.**



**DANGER: In the event of leaks, pressurized liquid may penetrate your skin and cause severe injury.**

**Immediately seek medical advice from a doctor familiar with this type of accident. This kind of injury requires surgery.**

**Always relieve the pressure before operating on the hydraulic system.**

**Ensure that all hydraulic couplings are properly tightened before letting oil into a pressurized circuit.**

**Search for leaks without touching with bare hands; e.g. use a piece of cardboard.**

**Wear suitable protective clothing to avoid touching liquids with hands or body.**

#### **Safety requirements for hydraulic systems and their components**

- Hoses may not be manufactured using recycled material.
- Never weld on hydraulic lines.
- In case of damage, immediately replace the lines.
- Do not modify hydraulic accumulators through adjustment, welding, etc.
- Before removing the hydraulic accumulators to carry out service or maintenance, relieve the pressure of the liquid contained therein completely.
- Service or maintenance on hydraulic accumulators should only be carried out by skilled technicians who are thoroughly familiar with these components.

---

### **1.6.3 Scrapping and disposal**

---

In addition to the recommendations in the section **Ecology**, which must be adhered to whenever the machine is used, the instructions listed below must also be followed when the time comes to scrap the combine.

- Find out about the legal requirements in your country and comply strictly with them.
- If no regulations are in force, contact your Dealer about the possibility of handing over the combine to a company skilled in machine disposal.

Instructions:

1. Drain the hydraulic and hydrostatic circuits, engine sump, gearbox, final drives, etc., collecting the oil in suitable containers to be kept in a safe place until they can be disposed of appropriately.
2. Drain radiator coolant and store it as described above.
3. Empty the air conditioning system. Contact your Dealer or an authorized workshop who has the correct tools for emptying the system.
4. Separate different materials, such as glass, plastic, iron, aluminum, tires, etc. for easier recycling.



**Suggest:**

**For more complete manuals. Please go to the home page.**

**<https://www.ebooklibonline.com>**

**If the above button click is invalid. Please download this document first, and then click the above link to download the complete manual.**

**Thank you so much for reading**

## 1.7 Weight

### 1.7.1 Weight distribution

The weight distribution on the two axles depends on how the combine is equipped.

If a cutting table other than the standard table is attached to the combine, please note that at least 20% of the total weight of the combine must rest on the rear axle.

In accordance with the above, ballast weights could be required at the rear of the combine.

#### Checking the total weight distribution (with table attached) on both axles

Ensure that the capacity of the weighing equipment is sufficient.

When weighed, the machine fuel tank must be filled and the operator must be in his seat.

Check that the load resting on each axle and the total weight do not exceed the maximum values permitted **by the manufacturer and indicated in the documents for road transport.**

#### Proceed as follows:

1. Place the table approximately 350 mm from the ground.

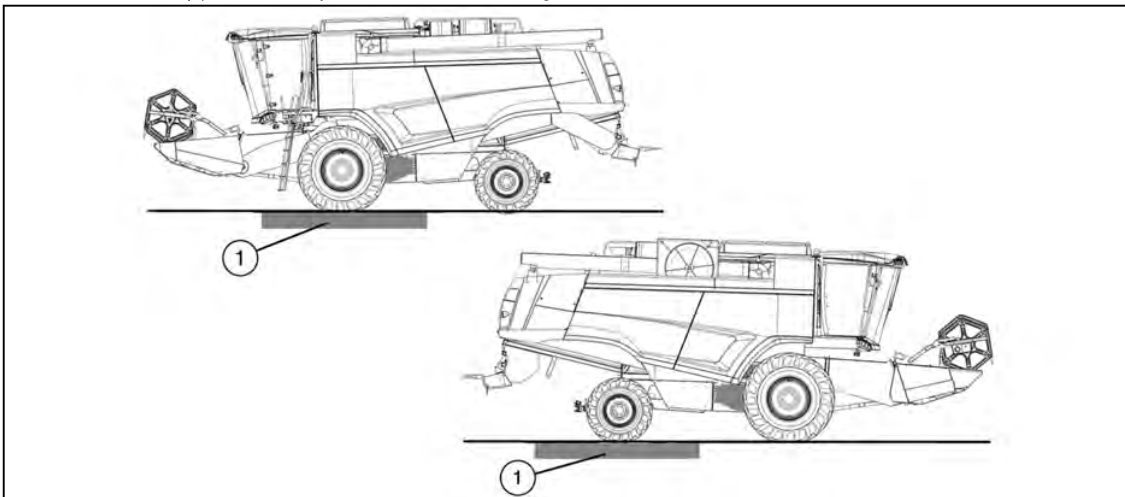


Fig. 14

2. Position the combine front axle in the middle of the weighing platform (1).
3. Measure the weight ( $M_a$ ).
4. Position the rear axle in the middle of the weighing platform (1).
5. Measure the weight ( $M_p$ ).
6. Calculate the total weight by adding up the two weights:  $M_t = M_a + M_p$
7. Determine whether 20% of the total mass of the machine is resting on the rear axle, by dividing  $M_p$  by  $M_t$ .

This ratio must be greater than or equal to 0.20, which as a percentage is 20%:

$$M_p : M_t \geq 0.20 \text{ (or 20\%)}$$

If the calculated value is lower than 0.20, the weight on the rear axle must be increased by adding ballast weights ( $M_z$ ).

8. When recalculating, the weight of the additional ballast weights must be taken into account in the total weight:

$$(M_p + M_z) : (M_t + M_z) \geq 0.20 \text{ (or 20\%)}$$

**Example**

Weight measured on the front axle, with table attached  $M_a = 12000$  kg.

Weight measured on the rear axle, with table attached  $M_p = 3100$  kg.

Machine total weight:

$$M_t = M_a + M_p = 12000 + 3100 = 15100 \text{ kg.}$$

The value  $M_p : M_t = 3100 : 15100 = 0.205$  which corresponds to 20.5%, and is therefore correct.

**<https://www.ebooklibonline.com>**

Hello dear friend!

Thank you very much for reading.

Enter the link into your browser.

The full manual is available for immediate download.

**<https://www.ebooklibonline.com>**