

Workshop Service Manual

FENDT

Combines

FENDT 5185 E

FENDT 5185 E - S/N => ZN205512_03010001



Breganze
AGCO S.p.A. - Via F. Laverda, 15/17 - 36042
BREGANZE (VI) – Italy.
FENDT is a worldwide brand of AGCO
© AGCO 2019

January 2019
LA327509010F_FE5185E_EN
EME
English

TABLE OF CONTENT

Preface	1
General Information - 00	2
Engine - 10	3
Drive transmission - 14	4
Transmission - 21	5
Front drive axle - 25	6
Hydrostatic transmission - 29	7
Brakes - 33	8
Hydraulic system - 35	9
Steering - 41	10
Axles and wheels - 44	11
Cab air conditioning system - 50	12
Electrical system - 55	13
Attachments/Headers - 58	14
Product feeding - 60	15
Threshing - 66	16
Separation - 72	17
Straw chopper - 73	18
Cleaning - 74	19
Grain tank - 80	20
Conversion	21

1 Preface

1.1	Introductory notes	1-3
1.2	Important warnings	1-4
1.3	Identification number	1-5

<https://www.ebooklibonline.com>

Hello dear friend!

Thank you very much for reading.

Enter the link into your browser.

The full manual is available for immediate download.

<https://www.ebooklibonline.com>

1.1 Introductory notes

- This manual is divided into sections numbered with two-digit numbers, each section having independent page numbering. For quick reference, these sections have the same identification number and description as the relevant Flat Time Rate Manual.
- The subjects covered and the information sought can easily be found using the index on the following pages.
- The information in this manual was updated on the date shown on the booklet. As AGCO is constantly improving its product range, some information may not be updated due to modifications made for technical or commercial reasons as well as for compliance with legal requirements in the various countries. If there are any inconsistencies, contact our AGCO Sales and Service Networks.

1.2 Important warnings

- **Warning: Some of the models listed in this manual are not marketed in your country. For more details, contact your dealer.**
- All repair and maintenance work listed in this manual must be carried out exclusively by the AGCO Service Network, in strict compliance with the instructions provided and using, where necessary, the special tools required.
- Anybody who carries out the above operations without scrupulously complying with the instructions shall be held personally liable for any damage caused as a result of their actions.
- The Manufacturer and all the organizations in its distribution chain, including (without limitation) national, regional or local dealers, reject any responsibility for damage due to the abnormal behavior of parts and/or components not approved by the Manufacturer, including those used for the servicing or repair of the product manufactured or marketed by the Manufacturer. In any case, no warranty of any type is issued or imposed concerning the product manufactured or marketed by the Manufacturer for damage due to abnormal behavior of parts and/or components not approved by the Manufacturer.

LITERARY AND ARTISTIC PROPERTY OF AGCO CORPORATION

Reproduction of text and illustrations, even partially, is prohibited

PRINTED IN ITALY

1.3 Identification number

Model	Model identification code
FENDT 5185 E	X5C

Description of the combine harvester identification number - Type 1

a	b	c	
E.G.: *5512	5512	10001	*
	d		

a = Technical type

d = Identification number: **551210001**

It is made up of two parts:

- Part 1 (**b**), made up of 4 digits "5512", identifies the technical type (machine model).
- Part 2 (**c**), made up of 5 digits "10001", which increase in numerical order of production and identify the sequential number of the produced machine model.

*5512*55120.. ...*	For the FENDT 5185 E model
---------------------------	----------------------------

Description of the combine harvester identification number - Type 2

	a	b	c	d	e	f	g	
E.G.:	* ZN2	0	5512	X	0	3	010001	*
				h				

h = Identification number: **ZN205512X03010001** is made up of 7 parts:

- a Manufacturer code: ZN2 = AGCO S.P.A.
- b Not used.
- c Technical type.
- d Random letter generated automatically.
- e Not used.
- f Production site code: 3 = Breganze.
- g Sequential number.

L-type grain header identification number	
723.. ...	For the M 4.20 model
733.. ...	For the M 4.80 model
743.. ...	For the M 5.40 model
753.. ...	For the M 6.00 model

2 General Information - 00

2.1	General instructions	2-3
2.2	Safety precautions	2-5
2.3	Appropriate use	2-9
2.4	Technical specifications	2-10
2.4.1	Weight	2-10
2.4.2	Feeding unit	2-10
2.4.3	Threshing sys.	2-11
2.4.4	Cleaning unit	2-13
2.4.5	Grain tank	2-14
2.4.6	Hydraulic system	2-14
2.4.7	Hydrostatic system	2-15
2.4.8	Engine	2-15
2.4.9	Electrical components	2-16
2.4.10	Transmission	2-16
2.5	Lubrication	2-17
2.6	Service intervals	2-18
2.7	Combine dimensions	2-21
2.7.1	Clearance between unloading auger and table	2-23
2.7.2	Clearance between unloading auger and ground	2-23
2.8	Tracks with runners	2-25
2.9	Tire equipment- front axle	2-26
2.10	Tire equipment - rear axle	2-27
2.11	Tire equipment - Version with half-tracks on front axle	2-28
2.12	Drive trains – left-hand side	2-29
2.12.1	Table drive belt (1)	2-30
2.12.2	Belt drive for main crop elevator shuttle (2)	2-30
2.12.3	Main transmission drive belt (3)	2-31
2.12.4	Clean grain and returns augers drive belts (4)	2-31
2.12.5	Straw walker drive belt (5)	2-31
2.12.6	Chaff spreader transmission belt (6)	2-32
2.12.7	Feeder drive belt (7)	2-32
2.12.8	Grain unloading drive chain (8)	2-33
2.12.9	Threshing unit drive belt (9)	2-33
2.12.10	Unloading-auger drive belt (10)	2-34
2.12.11	Belt drive for hydrostatic pump (11)	2-35
2.12.12	Straw chopper counter drive belt (12)	2-35
2.12.13	Straw chopper transmission belt drive (13)	2-36
2.12.14	Drive chain for feed auger (14)	2-36
2.12.15	Cutting blade wobble box drive belt (15)	2-37
2.12.16	Transmission chain for reel (16)	2-37
2.12.17	Reel drive chain (17)	2-38
2.13	Drive trains – right-hand side	2-39
2.13.1	Radiator fan drive belt (1)	2-40
2.13.2	Drive belt for alternator and engine coolant pump (2)	2-40
2.13.3	Rotary-screen drive belt (3)	2-41
2.13.4	Return rotary-screen drive belt (4)	2-41
2.13.5	Dust aspirator drive belt (5)	2-42
2.13.6	Tank filling auger control (upper) (6)	2-43

2.13.7	Transmission chain for returns auger (7)	2-43
2.13.8	Front crop elevator chains (8)	2-43
2.13.9	Belt drive for cylinder variator (9)	2-44
2.13.10	Transmission belts for fanning mill variator (10)	2-44
2.13.11	Pallet chain for conveying crop to grain tank (11)	2-45
2.13.12	Pallet chain for conveying back to cylinder (12)	2-45
2.13.13	Belt drive for cab air conditioning compressor (13)	2-46
2.14	Location of electrical/electronic/hydraulic components	2-47
2.14.1	Electrical/electronic components - A	2-47
2.14.2	Electrical/electronic components - B	2-52
2.14.3	Electrical/electronic components - D	2-58
2.14.4	Electrical/electronic components - E	2-60
2.14.5	Electrical/electronic components - F	2-68
2.14.6	Electrical/electronic components -G	2-74
2.14.7	Electrical/electronic components - H	2-75
2.14.8	Electrical/electronic components - K	2-77
2.14.9	Electrical/electronic components - M	2-79
2.14.10	Electrical/electronic components - S	2-82
2.14.11	Electrical/electronic components - T	2-90
2.14.12	Electrical/electronic components - U	2-93
2.14.13	Electrical/electronic components - X (from 1 to 300)	2-93
2.14.14	Electrical/electronic components - X (from 301 to 599)	2-120
2.14.15	Electrical/electronic components- X (from 600 to 900)	2-145
2.14.16	Electrical/electronic components - Y	2-150
2.14.17	Hydraulic components - AC	2-152
2.14.18	Hydraulic components - CI	2-152
2.14.19	Hydraulic components - FL	2-156
2.14.20	Hydraulic components - HV	2-157
2.14.21	Hydraulic components - L	2-158
2.14.22	Hydraulic components - MR	2-160
2.14.23	Hydraulic components - OB	2-160
2.14.24	Hydraulic components - PM	2-161
2.14.25	Hydraulic components - RD	2-162
2.14.26	Hydraulic components - TK	2-162
2.14.27	Hydraulic components - V	2-163
2.14.28	Hydraulic components - VB	2-166
2.15	Screw tightening torques (Nm)	2-168
2.16	Units of measurement	2-172

2.1 General instructions

Important caution

All repair and maintenance works described in this manual must be carried out only by the AGCO Service Network, strictly complying with the instructions given and using, whenever required, the special tools.

Anybody who carries out the above operations without scrupulously complying with the instructions shall be held personally liable for any damage caused as a result of their actions.

Adjustment shims

During any adjustment, select the adjustment shims by measuring them individually with a micrometer and then adding up the values obtained: Do not rely on the incorrect measurement of the total shim pack or on the nominal value given for each ring.

Rotary shaft seals

For correct rotating shaft seal installation, proceed as follows:

- before fitting the seals, soak them for at least half an hour in the same oil they will be sealing;
- thoroughly clean the shaft and make sure that the shaft working surface is not damaged;
- move the the sealing lip towards the fluid; in the case of a hydrodynamic sealing lip the grooves must face in such a way that, considering the shaft rotation direction, the fluid is taken back towards the inner part of the seal;
- smear a thin layer of lubricant on the sealing lip (oil rather than grease) and fill the gap between the sealing lip and the dust lip with grease on twin lip seals;
- fit the seal in the relevant housing by pressing it or using a drift with a flat contact surface; do not beat it with a hammer or a mallet;
- during driving, make sure the seal is perpendicular to its housing and, when driving is finished, make sure it touches the shoulder;
- to prevent the sealing lip from getting damaged by the shaft, lay down suitable protection when fitting both parts

O-rings

Lubricate O-rings before fitting them in their seats to prevent them from rolling over and twisting during fitting, thus jeopardizing their sealing action.

Sealants

Before laying the sealant on the mating surfaces, prepare them as follows:

- remove any scales with a wire brush;
- thoroughly degrease the surfaces with one of the following cleaning agents: trichloroethylene, oil or a solution of water and soda.

Spring pins

While fitting split spring pins, make sure that their groove is directed towards the effort direction, stressing the pin. Spiral spring pins do not need any orientation during fitting.

Notes on spare parts

Only use **genuine AGCO parts**.

Only genuine parts guarantee the same quality, life and safety as original parts because they are the same as those fitted as standard.

Only **genuine AGCO parts** can offer this guarantee. All spare parts orders must be accompanied by the following data:

2. General Information - 00

- machine model (commercial name) and frame number;
- combine type and number;
- part number of the ordered part, which can be found in the "Spare Part Catalog," used for order processing.

Notes on tools

The tools that AGCO suggests and describes in this manual:

- have been expressly studied and designed to operate on the AGCO range of combine harvesters;
- are required to get a reliable repair;
- are suitably manufactured and strictly tested to offer efficient and long-lasting work tools.

By using these tools, Repair Personnel will benefit from:

- working under the best technical conditions;
- getting the best results;
- saving time and effort;
- working more safely.

Notes

Wear limit values indicated for certain parts should be considered as recommended values, but not absolutely mandatory. The directions front, rear, right and left referring to different parts are given from the viewpoint of the operator sitting in the driver's seat and facing the same direction as the combine moving forward.

How to move the combine without battery

The cables of the external power supply unit must be connected only to the respective negative and positive cable terminals of the combine using pliers in good working order that will ensure proper and stable contact.

Disconnect all circuits (lights, windscreen wipers etc.) before starting the combine.

If functional checks need to be run on the combine's electrical system, only proceed after connecting the power supply unit. At the end of the checks, disconnect all the circuits and switch the power supply off before disconnecting the cables.

2.2 Safety precautions



WARNING: PAY CAREFUL ATTENTION TO THIS SYMBOL

This warning symbol points out important messages involving your personal safety.

Carefully read all the suggested safety precautions to avoid potential hazards and safeguard your health and personal safety.

In this manual you will find this symbol together with the following key words:

WARNING: For warnings aimed at preventing unsuitable repair work being carried out that may put the operator's safety at risk.

DANGER: For warnings that specifically point out potential hazards for the operator's safety or for other persons directly or indirectly involved.

Avoid accidents

Most accidents and injuries occurring in workshops are due to the failure to comply with some simple and fundamental precautions and safety regulations. For this reason, **IN MOST CASES THEY CAN BE PREVENTED**: just consider the possible causes in advance and act accordingly with the required caution and care.

Accidents may occur with any kind of machine regardless of how well the machine in question was designed and built.

An alert and cautious mechanic is the best guarantee against accidents.

Strict observance of just one basic safety rule is sufficient to avoid many serious accidents.



DANGER: Never carry out any cleaning, lubrication or maintenance operation when the engine is running.

Safety precautions

General information

- Strictly comply with the specified maintenance and repair procedures.
- Never wear rings, watches, jewellery, loose or unbuttoned clothing such as ties, torn clothes, scarves, open jackets or shirts with open zips which could get trapped in moving parts. It is recommended that you wear appropriate approved protective clothing and equipment, such as anti-slip footwear, gloves, safety goggles, helmets, etc.
- Never carry out any repair work on the machine with someone sitting in the driver's seat unless they are qualified operators assisting with the operation to be carried out.
- Never operate the machine or use the relevant tools from any position other than sitting in the driver's seat.
- Never carry out any intervention on the machine when the engine is running, except when specifically instructed to do so.
- Stop the engine and make sure all pressure has been relieved from hydraulic circuits before removing caps, covers, valves, etc.
- All service interventions must be carried out with the utmost care and attention.
- Service stairs and ladders used in the workshop or in the field should be built in compliance with the safety regulations in force.
- Disconnect the batteries and label all controls to warn that the machine is being serviced. Lock the machine and all the equipment to be lifted.
- Never check or fill fuel tanks, accumulator batteries, or use starting fluid while smoking or near to naked flames, as these fluids are flammable.

- Brakes are ineffective when manually released for service interventions: in these cases, make sure you keep the machine under control using suitable chocks or similar blocking devices.
- The fuel supply gun must always stay in contact with the filler neck: Maintain this contact until the fuel supply stops to prevent sparks due to static electricity build-up.
- Use only the prescribed points for towing the machine. Make the connections with the utmost care: make sure that the relevant pins and/or catches are securely tightened before towing. Never remain near to towing bars, cables or chains that are operating under load.
- To transfer a machine that has broken down, use a trailer or a low loading platform trailer, when available.
- To load and unload the machine from the recovery vehicle, select a flat area providing firm support for the wheels of the trailer or truck. Securely fasten the machine to the platform of the truck or the trailer and lock the wheels as required by the shipping agent.
- For electrical heaters, battery-chargers and similar equipment, only use auxiliary power supplies providing an efficient ground to avoid electric shock hazards.
- While lifting or carrying heavy parts, use hoists and similar equipment with sufficient capacity.
- Pay special attention to anyone who is nearby.
- Never pour gasoline or diesel oil in open, wide and low containers.
- Never use gasoline, diesel oil or other flammable liquids as cleansers: use non-flammable and non-toxic commercial solvents.
- Wear goggles with side guards while cleaning parts with compressed air.
- Reduce air pressure according to the local or national regulations in force.
- Never operate the machine in closed areas without proper ventilation.
- Do not smoke, use naked flames or cause sparks when filling or handling highly flammable materials.
- Do not use flames as light sources when servicing the machine or checking for possible "leaks".
- Move with caution when working under the machine, on the machine or near the machine. Wear the prescribed safety equipment: helmets, special goggles and shoes.
- During checks that are carried out with the engine running, ask an operator to sit in the driver's seat and keep the service technician under constant visual control at any time.
- In the event of service operations that need to be carried out outside the workshop, drive the combine to a flat area and secure it. If work on hillsides cannot be avoided, first secure the machine and move it to level ground, as soon as you can do it within a given safety margin.
- Dented and bent chains or ropes are not reliable: do not use them for lifting or towing. Always use suitable protective gloves when handling chains or cables.
- The chains must be tightly fastened: make sure the fastening device is strong enough to hold the load. No people should stand next to the towing connection, chains or ropes.
- The area for service operations should always be kept CLEAN and DRY. Immediately remove any water deposits or oil stains.
- Do not pile up oil or grease-soaked rags: they are a major fire hazard. Always place them in a closed metal container. Before starting the machine or an equipment check, adjust and lock the operator's seat. Make sure nobody is standing within the machine or equipment operating range.
- Do not carry any object in your pockets that could accidentally fall into the machine's inner compartments.
- Whenever there is a risk that you might be hit by projecting metal parts and similar objects, wear an eye mask or goggles with side shields, helmets, special footwear and heavy gloves.
- During welding operations, use the special safety guards: dark goggles, helmets, overalls, special gloves and footwear. Dark goggles must also be worn by anyone who is not carrying out the work but is standing near the operator carrying out the welding operations. NEVER LOOK DIRECTLY AT THE WELDING ARC WITHOUT SUITABLE EYE PROTECTION.
- When handling metal cables, ensure adequate protection is worn (gloves, safety goggles etc.).
- Handle all parts with the utmost care. Keep your hands and fingers away from gaps, gears and similar dangers. Always wear the approved protection devices, such as safety goggles, safety gloves and shoes.

Starting

- Never run the engine in closed areas without suitable ventilation systems to remove exhaust gasses.
- Never put your head, body, arms, legs, feet, hands or fingers near fans or rotating belts.

Engine

- Before removing the radiator cap, loosen it very slowly to relieve pressure from the system. Coolant top-ups must be made only when the engine has stopped or is idling, if hot.
- Never fill up the fuel tank when the engine is running, especially if it is hot, to prevent starting fires in the event of fuel leaks.
- Never try to check or adjust the fan belt tension when the engine is running. Never adjust the fuel injection pump when the machine is moving.
- Never lubricate the machine when the engine is running.

Electrical systems

- When using auxiliary batteries, remember that the cables on both sides must be connected as follows: (+) with (+) and (-) with (-). Do not short-circuit the terminals. GAS RELEASED FROM BATTERIES IS HIGHLY FLAMMABLE. During recharging, leave the battery compartment open for better ventilation. Never check the battery charge with "jumpers" obtained by laying metal objects on the terminals. Avoid sparks or flames in the area surrounding the batteries. Do not smoke to prevent explosion hazards.
- Before any intervention, check there are no fuel or power leaks: eliminate these leaks before going on with the work.
- Never recharge the batteries in closed areas: make sure there is enough ventilation to prevent accidental explosions due to the build-up of gases released while charging.
- Always disconnect the batteries before any intervention on the electrical system.

Hydraulic systems

- Fluid escaping from a very small hole can be almost invisible and can be strong enough to penetrate the skin. For this reason, use a piece of cardboard or wood when checking. DO NOT USE BARE HANDS: if a jet of fluid penetrates the skin, contact a doctor immediately. If no immediate medical care is given, severe infections or dermatosis could occur.
- Use suitable instruments to check the system pressures.

Wheels and tires

- Make sure that tires are correctly inflated to the pressure specified by the manufacturer. Regularly check possible damages to rims and tires.
- Stay away from and to one side of the tire when adjusting tire pressures.
- Check the pressures only when the machine is unladen and the tires are cool to prevent obtaining any wrong measurements due to overpressure. Never use parts of recovered wheels as improper welding, brazing or heating could have weakened them and could cause breakages.
- Never cut or weld a rim with a tire that is fitted and inflated.
- To remove the wheels, secure both the front and rear wheels. After lifting the machine, to prevent it from falling, arrange suitable supports underneath in accordance with the regulations in force.
- Deflate the tire before removing any object caught in the tread.
- Never inflate tires using flammable gasses as they may cause explosions and injuries to people nearby.

Removal and refitting

- Lift and handle all heavy parts using suitably sized lifting equipment. Make sure all the parts are secured using the appropriate slings and hooks. Use the correct eye bolts. Extra care should be taken if anyone is near the load to be lifted.
- Handle all parts with great care. Do not put hands or fingers between parts. Wear appropriate safety clothing - safety goggles, gloves and shoes

- Do not twist metal chains or ropes. Always wear safety gloves when handling cables or chains.

2.3 Appropriate use

These combines are designed as self-propelled units with a diesel engine.

The machines are manufactured exclusively for agricultural purposes, i.e. for harvesting cereal, seed, rice, maize, soya etc. by cutting or picking up from the swath, threshing and separating the grains from the ears, delivering the grains in the grain tank and unloading them into the grain wagon.

Machine performance may be limited by various factors such as harvesting speed, weather conditions, ground characteristics and the type and degree of ripeness of the crop.

When operating the machine, make sure the cab doors are shut. The operator and instructor, if present, must remain seated in their respective seats with their seatbelts fastened (the operator should not drive the machine when standing).

The machines may be operated only by skilled personnel, who are thoroughly familiar with all the machine's functions and harvesting techniques.

If the ground is uniform and the tires offer sufficient grip, the machine stability is ensured on the following inclinations:

- 20% (11°) longitudinally (uphill and downhill)
- 20% (11°) crosswise

These models are designed for working on level ground to ensure even distribution of the crop inside the machine.

These models HAVE NOT been developed for working on sloping ground.



CAUTION: It is not permitted to drive on public roads with product inside of the grain tank.

Header models (please see the specific Operator's Manual)

These combines can be equipped with a cutting table with a cutting width of 420, 480, 540 or 600 cm.

NOTE: In this manual, the term "header/s" signifies both the cutting table and the maize header. The term "cutting table" refers to the assembly consisting of reel, cutting bar, table auger, etc. used to harvest grain, barley, rice, soya, etc. The term "maize header" refers to the equipment formed by stalk grippers, stripping blades, conveyor chains, etc. used for maize harvesting.

2.4 Technical specifications

2.4.1 Weight

Unladen weights	Units of measurement	X5C
Total weight of the 2 WD combine in gear order without table, with straw chopper and an empty grain tank	kg	10600
Front weight	kg	6500
Rear weight	kg	4100
Maximum weights technically permitted to travel on public roads		
NOTE: <i>The following weights refer to Italian approval and are displayed on the respective approvals tag; for all other countries, please check the maximum weights displayed in the vehicle registration documents.</i>		
Total weight	kg	12000
Front weight	kg	10820
Rear weight	kg	4450

2.4.2 Feeding unit

Feeding unit	Units of measurement	X5C
Cutting table		
Drive trains		Double V-belts
Transmission		universal joint
Knife		with elements fixed with screws
Cutting width	cm	420 – 600
Minimum and maximum cutting height	mm	40 – 1320
Cutting frequency	strokes/min	1220
Auger		double-screw type with toothed torque limiter
Retractable fingers		over the full width
Reel		With six tine bars
Drive trains		Chain-type with safety clutch
Vertical and horizontal adjustment		electrohydraulically operated
Speed variator		Electrically operated (speed 13-60 rpm)
Elevator		Multi-purpose type
Lower roller		floating

Feeding unit	Units of measurement	X5C
Chains with slats	no.	3
Protection		Spring-loaded safety clutch
Upper shaft speed	rpm	415
Lower shaft speed	rpm	553
Elevator drive belt		Powerband belt
Shuttle		mechanical (belt)

2.4.3 Threshing sys.

Threshing sys.	Units of measurement	X5C
Stone trap		At concave inlet with cut-out option and the possibility to remove it (for inspection)
Threshing drum		
Type: wheat/maize		8 rasp bars
Type: rice		12 toothed bars with cast iron support
Cylinder housing width	mm	1346
Diameter	mm	600
Variator		with one belt
Variator control		electrohydraulic
Speed	rpm	380 ÷ 1210
Reduced rotation speed (optional)	rpm	177 - 600
Concave		
Control		Front and rear opening, independently adjustable from the operator seat
Area	m ²	0.83
Grain/barley type:		
Clearance (between wire centers)	mm	14.1
Wire arrangement	mm	Alternately 403 and 630
Wrap angle		106°
Wire diameter	mm	3.4
Total number of wires	no.	93
Bars	no.	12
Section type:		

Threshing sys.	Units of measurement	X5C
Clearance (between wire centers)	mm	14.1 for grain (front)
	mm	24 for maize (front)
	mm	24 (rear)
Wrap angle		106°
Wire diameter	mm	3.4 for grain (front)
	mm	6.0 for maize (front)
	mm	6.0 (rear)
Bars	no.	12
Maize type:		
Clearance (between wire centers)	mm	24
Wrap angle		–
Wire diameter	mm	6
Bars	no.	9
Rice type:		
Threshing section	no.	1 (with three rows of spikes)
Spikes	no.	77
Wrap angle		106°
Universal type:		
Bars	no.	17
Wire diameter	mm	6
Wrap angle		106°
ABC module		
Bars	no.	2
Locations	no.	3
Area	m ²	0.16
Wrap angle		14°
Rear beater		
Vanes	no.	4 - removable from inside the grain tank
Control		Powerband belt
Speed	rpm	800
Straw walker		

Threshing sys.	Units of measurement	X5C
Number		5
Steps	no.	4
Concaves	no.	5
Length	mm	4256
Separation area	m ²	5.73
Speed	rpm	177

2.4.4 Cleaning unit

Cleaning unit	Units of measurement	X5C
Fanning mill		
Normal speed	rpm	350 ÷ 1050
Reduced speed	rpm	270 ÷ 840
Vanes	no.	4
Control		V-belt
Main grain pan		
Movement		Alternating, opposite to bottom sieve
Con rod	strokes/min	315
Control		Double V-belts
Grain pan width	mm	1340
Grain pan length	mm	1723
Grain pan area	m ²	2.31
Grain pan rake area	m ²	0.255
Upper sieve type		
CS4 adjustable		
Upper sieve width	mm	1340
Upper sieve length		1963
Top sieve area	m ²	2.63
Lower sieve type		
CLOZS CS2 adjustable		
Lower sieve width	mm	1340
Lower sieve length	mm	1525
Bottom sieve area	m ²	2.04
Tailings		

Cleaning unit	Units of measurement	X5C
Type		to cylinder
Conveyed by		tailings auger and elevator
Auger rotation speed	rpm	315

2.4.5 Grain tank

Grain tank	Units of measurement	X5C
Crop conveyed by		Tank filling elevator with horizontal tank filling auger
Elevator drive auger	rpm	388
Capacity	liters	5200
Unloading auger drive		Double V-belt, chain and angle gear
Overload protection		Shear bolt
Length of unloading tube	m	4.0
Unloading speed	liters/sec	72
Filling system		elevator with paddles and levelling auger

2.4.6 Hydraulic system

Hydraulic system	Units of measurement	X5C
Oil tank capacity (combined)	liters	36
Table/auxiliary pump output	liters/min	29.3/4.2
Table/auxiliary valve maximum pressure	bar	210/85
Power steering pump capacity	liters/min	14
Type		OSPC 125
Max. pressure	bar	140
Anti-shock valve max. pressure	bar	200
Steering rams	no.	1

2.4.7 Hydrostatic system

Hydrostatic system	Units of measurement	X5C
Oil tank capacity (combined)	liters	36
Pump displacement	cm ³ /rev	100
Pump (loaded)	rpm	2620
Pressure relief valve setting	bar	420
Motor displacement	cm ³ /rev	100

2.4.8 Engine

Engine	Units of measurement	X5C
Make		AGCO POWER
Type		4.9 AWF 1194
Feeding		common rail
Cylinders	no.	4
Cubic capacity	cm ³	4900
Bore	mm	108
Stroke	mm	134
Combustion		direct injection
Rotation direction (from the flywheel)		Anti-clockwise
Idle speed	rpm	2100
Rated power at 2100 rpm	kW	125
Maximum power (ECE R120) at 2000 rpm	kW	129
Oil sump capacity with filters	liters	10
Catalyser tank capacity	liters	80
Fuel tank capacity	liters	450
Radiator		
Circuit capacity	liters	34
Protection		Self-cleaning rotary screen
Rotary screen aspirator		Standard

2.4.9 Electrical components

Electrical components	Units of measurement	X5C
Battery		
12 V type	Ah	184
Peak current	A	1200
Starter motor		
Type	V	12
Alternator		
Type	V	12
Charging capacity	A	120

2.4.10 Transmission

Transmission	Units of measurement	X5C
Standard tires		620/75 R30
Optional tires		650/75 R32
Transmission type		With front engagements
Gears	no.	3
Speed (moving forward and in reverse) with tires 620/75 R30		
1 st gear	km/h	0 ± 6.5
2 nd gear	km/h	0 ± 13
3 rd gear	km/h	0 ± 23 ⁽¹⁾
Speed (moving forward and in reverse) with tires 650/75 R32		
1 st gear	km/h	0 ± 7
2 nd gear	km/h	0 ± 13.5
3 rd gear	km/h	0 ± 24.5 ⁽¹⁾

⁽¹⁾ For all countries except Germany, where the maximum speed limit can be limited to 20 km/h.

2.5 Lubrication

Parts to be filled	Quantity dm ³ (liters)	Recommended products	International specification
Engine cooling system	34	Antifreeze (50% water)	ASTM D 3306 BS 6580:1992
Fuel tank	450	Cleaned and filtered diesel oil	See the Permitted fuels paragraph in the Systems section
Catalytic fluid tank (DEF)	80	AdBlue	DIN 70070
Engine sump and filter	10	Fendt Premium Grade 10W-40 SHPD	API CJ-4 ACEA E9
Compressor (maintenance)	0.25		
Track frame outer supports	0.25x2		
Brake fluid tank and circuit	0.30	Aral HS DOT 4 Brake Fluid	SAE J 1703 SAE J 1704
Gearbox and differential housing	12	Fendt Super Trans 85W-90	API GL5 SAE 80W-90
Final drives	5.5x2		
Bottom angle gear for unloading auger	0.35		
Hydraulic and hydrostatic system:			—
- tank only	36	Fendt Extra Hyd 68	HV 46 ISO VG 46 HV
- complete systems	66		
Angle gear for filling elevator	0.22	Fendt Extra Grease EP	NLGI 2
Top angle gear for unloading auger	0.10		
Angle gear for chaff spreader	0.35		
Air conditioning system	2300 grams	R134a	—
Grease nipples	—	Fendt Extra Grease EP	NLGI 2
Oilers	—	Biodegradable oil	Biodegradable ISO VG 46 HV
Windshield wash	1.50	—	—

2.6 Service intervals

Engine	
Oil check	every 10 running hours or every day
Coolant check	every 10 running hours or every day
Oil and oil filter change	after the first 50 running hours (when the machine is new), then every 225 hours or once a year
Coolant change	every 2000 running hours or every two years
Condensate drainage from prefilter/water separator	every 10 running hours or every day
Engine fuel filter replacement	every 450 running hours
Prefilter/water separator replacement	every 150 hours or once a year
Main DEF filter replacement	every 450 hours or once a year
Outer air filter replacement	every 450 hours or once a year
Inner air filter replacement	every 3 times the outer filter is replaced

Gearbox and differential housing	
Oil check	every 150 running hours
Oil change	every 450 running hours

Final drives	
Oil check	every 150 running hours
Oil change	every 450 running hours

Hydraulic and hydrostatic system	
Oil check	every 10 running hours or every day
Oil change	every 450 running hours
Return oil filters	after the first 50 running hours (when the machine is new), then every 450 hours or once a year
Hydrostatic pressure filter replacement	after the first 50 running hours (when the machine is new), then every 450 hours or once a year
Hydraulic oil intake filter	clean every 450 running hours at the same time as replacing the oil

Bottom angle gear for unloading auger	
Oil check	every 150 running hours

Brake system	
Brake fluid check	every 75 running hours
Oil the park brake cable	every 150 running hours
Brake fluid change	every 2000 running hours or every two years

Air conditioning system	
Dehydrator filter replacement	every 450 running hours

Air compressor (optional)	
Oil change	every 450 hours

Windscreen wash fluid reservoir	
Level control	every 150 hours

Parts to lubricate or clean	
Cylinder variator	to be greased every 10 running hours
Straw chopper rotor bearings	to be greased every 10 running hours
Main crop elevator front shaft	to be greased every 75 running hours
Table belt tensioner	to be greased every 75 running hours
Rear axle support	to be greased every 75 running hours
Main crop elevator belt tensioner	to be greased every 75 running hours
Fanning mill variator	to be greased every 75 running hours
Coupling bushes for axle shafts	to be greased every 75 running hours
Rear wheel axles and spindle hubs	to be greased every 75 running hours
Half-track frames	to be greased every 75 running hours
Bottom angle gear for unloading auger	to be greased every 75 running hours
Belt tensioner for crop unloading auger	to be greased every 75 running hours
Chaff spreader drive	to be greased every 75 running hours
Bearings for rear straw walker crank	to be greased every 75 running hours

Parts to lubricate or clean	
Top angle gear for unloading auger	to be greased every 75 running hours
Cab air filters	to be cleaned every 75 running hours
Evaporator	to be cleaned every 75 running hours
Condenser	to be cleaned every 75 running hours
Radiators and hydraulic oil	to be adjusted every 75 running hours
Rotary screen brushes and aspirator brushes	to be adjusted every 75 running hours
Bottom angle gear for unloading auger	to be greased every 150 running hours
Belt drive tensioner for radiator fan	to be greased every 150 running hours
Threshing unit belt tensioner	to be greased every 150 running hours
Hydrostatic pump belt tensioner	to be greased every 150 running hours
Front crop elevator supports	to be greased every 150 running hours
Reversing belt tensioner arm pin	to be greased every 150 running hours
Main clutch	to be greased every 150 running hours
Grain tank unloading auger adapter	to be greased every 150 running hours
Drive belt tensioner for straw chopper	to be greased every 150 running hours
Driven belt tensioner for straw chopper	to be greased every 150 running hours
Straw chopper transmission idler shaft	to be greased every 150 running hours
Belt tensioner for return rotary screen	to be greased every 150 running hours
Rotary screen drive belt tensioner	to be greased every 150 running hours
Left bearing for tailings auger	to be greased every 150 running hours



Suggest:

For more complete manuals. Please go to the home page.

<https://www.ebooklibonline.com>

If the above button click is invalid. Please download this document first, and then click the above link to download the complete manual.

Thank you so much for reading

2.7 Combine dimensions

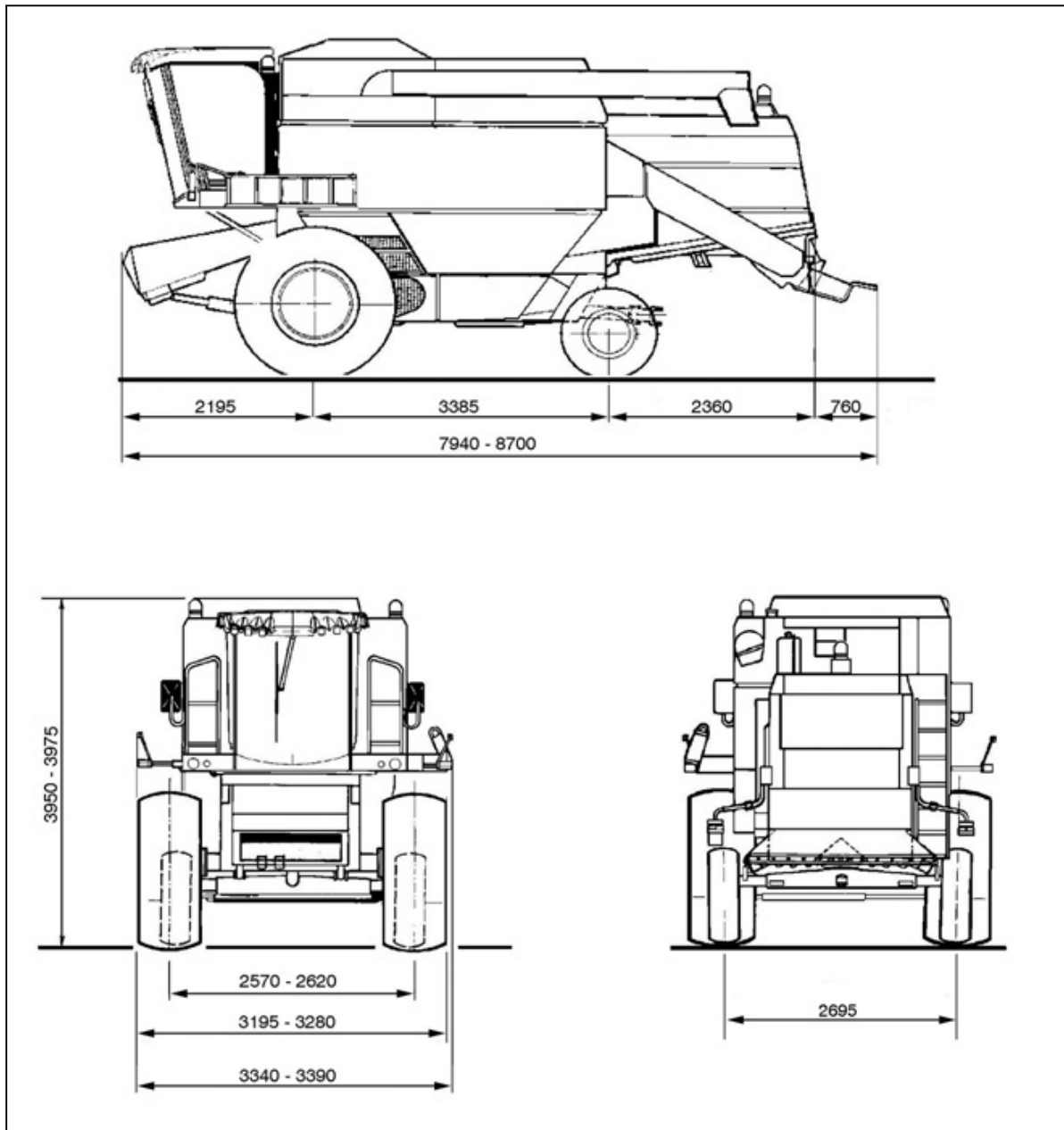


Fig. 1

Model with tires

Dimensions are in mm.

The front wheel track varies according to the type of tire used. See the **Tire equipment** table in this section.

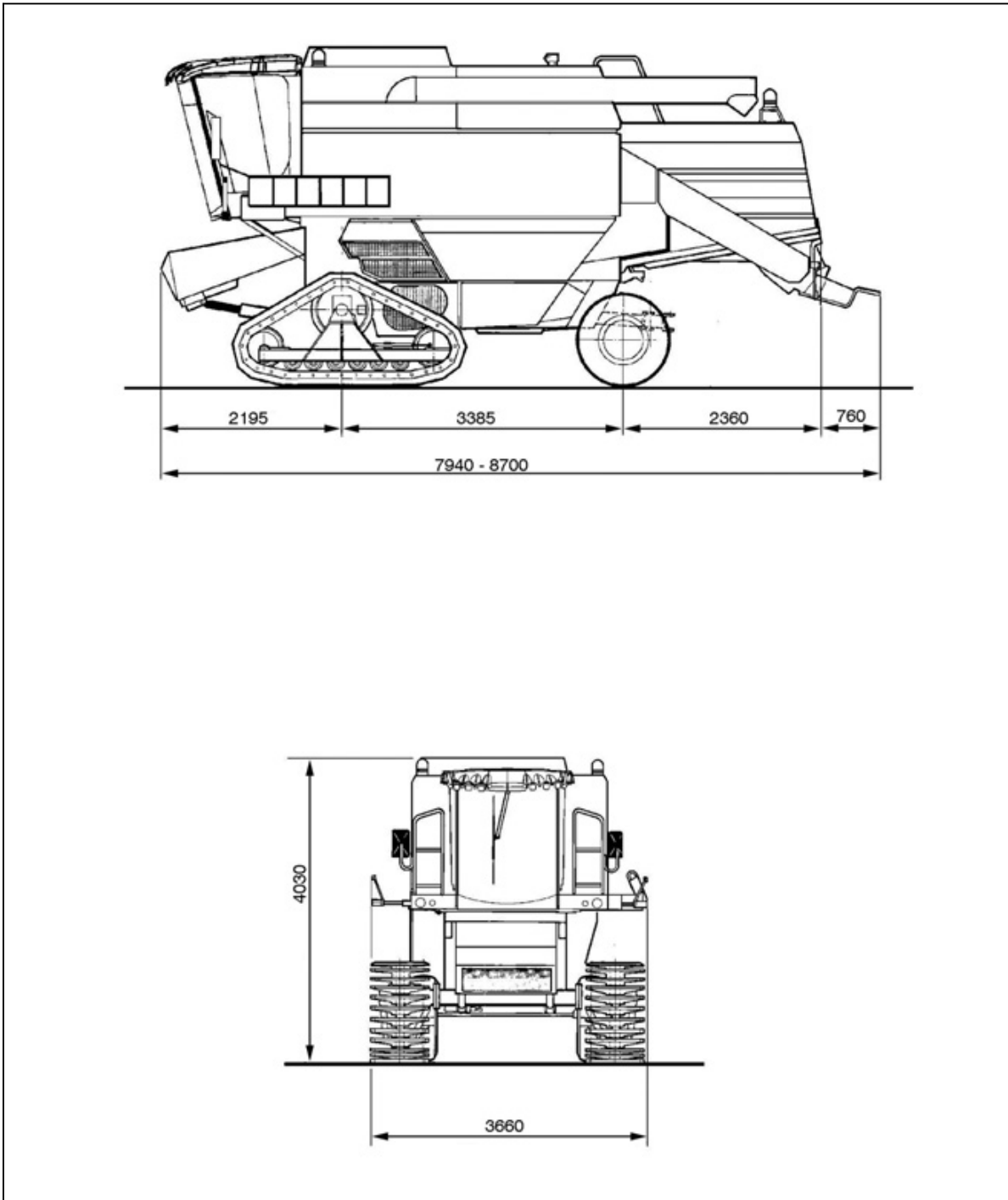


Fig. 2

Model with tracks

Dimensions are in mm.

<https://www.ebooklibonline.com>

Hello dear friend!

Thank you very much for reading.

Enter the link into your browser.

The full manual is available for immediate download.

<https://www.ebooklibonline.com>