

**5180 E** from serial 551100204

**ORIGINAL  
OPERATOR'S MANUAL**

**FENDT**

# **TABLE OF CONTENTS**

- 1. General Information**
- 2. Operation**
- 3. Controls and Instruments**
- 4. Field Operations**
- 5. Lubrication and Maintenance**
- 6. Adjustments**
- 7. Systems**
- 8. Troubleshooting**
- 9. Off-Season Storage**
- 10. Optional Equipment**
- 11. Technical Specifications**
- 12. Alphabetical Index**

# CONTENTS

	Section-Page
<b>1. GENERAL INFORMATION</b>	
Customer information .....	1-1
Appropriate use .....	1-3
Combine identification .....	1-4
Ecology: information for the prevention of environmental pollution .....	1-9
Safety .....	1-10
Emergency exit .....	1-31
Safety devices .....	1-32
Machine lifting .....	1-39
Noise level in the cab .....	1-40
Ambient noise in motion Directive 2009/63/EC .....	1-40
Fire resistance inside the cab .....	1-40
Statutory regulations .....	1-40
Vibrations in the cab .....	1-41
Hydraulic systems: hoses .....	1-41
Safety requirements for hydraulic systems and components .....	1-41
Scrapping and disposal .....	1-42
Electromagnetic emissions (2004/108/EC Directive) .....	1-42
Notes for road transport .....	1-43
Weight distribution .....	1-45
<b>2. OPERATION</b>	
crop processing .....	2-1
<b>3. CONTROLS AND INSTRUMENTS</b>	
Steering column and control pedals .....	3-1
Multifunction lever .....	3-2
Front control panel .....	3-4
Rear control panel .....	3-6
Controls at the operator seat .....	3-17
Access to combine components .....	3-25
Starting the engine .....	3-28
Stopping the engine .....	3-29
Operations to be carried out before road transport .....	3-30
Before Using the Combine .....	3-32
Towing the combine .....	3-33
<b>4. FIELD OPERATIONS</b>	
General Information .....	4-1
Starting and Stopping the Combine .....	4-2
Cutting table .....	4-3
Main Crop Elevator .....	4-6
Cylinder housing .....	4-9
Concave .....	4-10
Rear beater .....	4-15
Straw walkers .....	4-16
Main Grain Pan .....	4-17
Fanning mill .....	4-20
Top sieve .....	4-22
Bottom sieve .....	4-23
Returns .....	4-24
Grain tank .....	4-25

**<https://www.ebooklibonline.com>**

Hello dear friend!

Thank you very much for reading.

Enter the link into your browser.

The full manual is available for immediate download.

**<https://www.ebooklibonline.com>**

# CONTENTS

	Section-Page
<b>5. LUBRICATION AND MAINTENANCE</b>	
General information .....	5-1
Preliminary Service Inspection .....	5-2
Scheduled Service Inspection .....	5-3
Where and When to Carry Out Service Inspection .....	5-4
Routine Service Inspection .....	5-6
Scheduled Service Inspection .....	5-8
Capacities and Specifications - FENDT 5180 E .....	5-29
<b>6. ADJUSTMENTS</b>	
Belt and chain adjustment .....	6-1
Belts and chains (left-hand side) .....	6-2
Belts and chains (right-hand side) .....	6-9
Slip clutches .....	6-15
Tyres .....	6-16
Parking .....	6-20
Rear axle .....	6-21
<b>7. SYSTEMS</b>	
Engine .....	7-2
Hydraulics system .....	7-5
HYDROSTATIC TRANSMISSION SYSTEM .....	7-10
Electrical system .....	7-11
<b>8. TROUBLESHOOTING</b>	
Feeding .....	8-1
Threshing unit .....	8-1
Separation and cleaning .....	8-3
Hydrostatic Transmission .....	8-6
Engine .....	8-7
Auxiliary hydraulics .....	8-8
Auxiliary Electrical System .....	8-8
Straw Chopper .....	8-9
<b>9. OFF-SEASON</b>	
<b>9. STORAGE</b>	
<b>10. OPTIONAL EQUIPMENT</b>	
<b>11. TECHNICAL SPECIFICATIONS</b>	
Wheels and tyres .....	11-1
Tracks with runners .....	11-3
Combine Dimensions with Tyres (mm) .....	11-4
Combine Dimensions with Half-Tracks (mm) .....	11-5
Clearance between unloading auger and table .....	11-6
Available tables and weights .....	11-6
Clearance between unloading auger and ground .....	11-7
Technical specifications - 5180 E model .....	11-8
<b>12. ALPHABETICAL INDEX</b>	

# 1. GENERAL INFORMATION

## 1.1 CUSTOMER INFORMATION

### INTRODUCTION

Your new self-propelled combine is manufactured for harvesting seed and cereal crops, for threshing, separating, cleaning and conveying the grain into the tank and depositing the straw on the ground.

This Operator's Manual contains all the necessary practical information which describes the operation, adjustment and maintenance of your new machine and should be used as a practical reference guide.

The combine is designed and built to ensure optimum performance, comfort and ease of operation in a wide variety of crops and conditions.

The combine has been thoroughly inspected prior to delivery both at the factory and by your Dealer, to ensure you receive it in perfect condition.

To keep the combine in perfect condition and to ensure trouble-free performance, the periodical maintenance operations listed in this manual should be carried out at the recommended intervals.

**Before operating or driving the combine, read this Operator's Manual carefully, paying particular attention to the section on safety rules. Always keep this manual on hand for further reference.**

The terms "left" and "right" are always used with reference to the travelling direction.

Should you require further information about the machine, please do not hesitate to contact your authorised Dealer. Your Dealer provides specially trained personnel, genuine spare parts and the required tools to solve any problems that may arise.

### NOTE:

- *This combine has been designed and built in compliance with the Machine Directive 2006/42/EC. An EC Declaration of Conformity is supplied with the machine (see facsimile on page 1-8).*
- *This manual is published for world wide distribution, and the availability of equipment shown as basic or accessory varies according to the territory in which the combine is to be used. Specifications may differ from those contained in this Operator's Manual according to the customer's requirements.*
- *In order to provide a better view of features or adjustments, certain illustrations in this manual may show an assembly with standard guards, or the guards required by law in different countries, open or removed. **However, a machine should never be operated in this condition. For your own safety, always ensure all safety guards are fitted and closed correctly before operating the machine.***
- *This manual must always be kept in the pocket provided on the right-hand side of the operator seat for convenient reference.*

### Company policy

In accordance with the Company's policy of continuous improvements to its products, the Company reserves the right to modify and improve its products whenever necessary and to the required extent, without any obligation to apply such modifications to previously sold products. The information contained in this Manual refers to the current situation at the time it was written. All the data given may vary.

## **1.2 APPROPRIATE USE**

5180 E combines are designed as self-propelled units with a diesel engine.

The machines are manufactured exclusively for usual agricultural purposes, i.e. for harvesting cereal, seed, rice, maize, soya, etc. by cutting or picking-up the crop, threshing and separating the grains from the ears, delivering the grains in the grain tank and unloading them into the grain wagon.

When operating the machine, make sure the cab doors are shut. The operator and instructor, if present, must remain seated in their respective seats with their seatbelts fastened (the operator should not drive the machine when standing).

**NOTE:** *5180 E combines are available without cabs exclusively for markets not included in the European Community.*

The machines may be operated only by skilled personnel, who are thoroughly familiar with all the machine's functions and harvesting techniques.

Machine stability is ensured on the following inclinations, on condition that the ground is firm and the tyres offer sufficient grip:

25% (15 °) longitudinally (uphill and downhill).

30% (18 °) crosswise.

These machines are designed for working on level ground to ensure even distribution of the crop inside the machine. **These models HAVE NOT been developed for working on sloping ground.**

### **Forbidden uses**

Do not use the machine for tasks or purposes other than those specified in this Manual, on the safety decals or on other safety information provided with the machine.

The following pages contain recommendations on correct and incorrect use of the machine when travelling on public roads, during field operations and during maintenance.

### **TABLE TYPES**

5180 E combines can be equipped with a 420, 480, 540, 600, 660 or 760 cm cutting table.

**NOTE:** *In this manual, the term "table/s" signifies both the cutting table and the maize header when used generically. The term "cutting table" refers to the assembly consisting of reel, cutting bar, table auger, etc. used to harvest grain, barley, rice, soya, etc. The term "maize header" refers to the assembly consisting of stalk grippers, stripping blades, conveyor chains, etc. used for harvesting maize.*

## GENERAL INFORMATION

### 1.3 COMBINE IDENTIFICATION

The combine and its main components are identified by serial numbers and/or production codes. The position of the different identification data is described below.

**NOTE:** Always quote the combine serial number in any communication to your Dealer.

#### Combine identification plate - Fig. 1 and Fig. 2

The manufacturer's type plate (1), statutory for all countries or (2, for France only), is positioned on the outer right-hand side of the operator platform and shows the following information:

- Combine type.
- Approval number.
- Combine serial number.
- Weight (on both axles).
- Towing weight.

For further details, please refer to the type approval certificate.

The safety plate (3) is located next to the approval plate, and guarantees that the combine was built in compliance with Machinery Directive 2006/42/EC as well as Directive 2004/108/EC.

This plate shows the following information:

- Year of manufacture and year of use.
- Model.
- Combine serial number.
- Crop type.
- Total weight (normal configuration).
- Maximum towing weight.
- Maximum vertical load on the trailer hitch.

In certain countries (e.g. Russia) the manufacturer's type plate is positioned next to another plate corresponding to the type approval.

#### Combine identification details - Fig. 3

Combine type and serial number appear on the plate and are also punched into the rear right-hand side of the frame (1).

AGCO  
Your Agriculture Company

AGCO International GmbH  
(Neuhäusen Am Rheinfell) SWITZERLAND  
No authorised representative  
AGCO S.A. (Beauvais) FRANCE

Type / Type Typ  
N° homologation / Approval No. / Nr. homologation  
N° Identif. / Fabr. / Ident. No.  
Masse max. adm. / Total adm weight / Zul. ges. Gew.  
Masse / avec option / Front / Zul. Anbauekt. Vorr.  
Masse / Press. / Rev. / Zul. Anbauekt. Haken  
Masse rattachable / Trailer load / Zu. Anhangsgew.

AGCO S.A.  
41, Avenue Hleise Pascal  
60026 BEAUVAIS - FRANCE

N° de serie  
Type  
Variante  
Version  
PTAC Kg PTRA Kg  
Masse maximes admissibles  
sur l'anneau Kg sur l'essieu 1 Kg sur l'essieu 2 Kg sur l'essieu 3  
Receptionne e. Axiens  
Date de reception N° de reception

Fig. 1

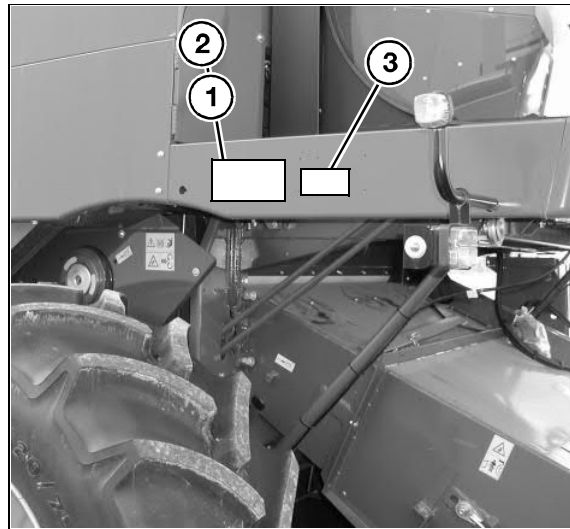


Fig. 2

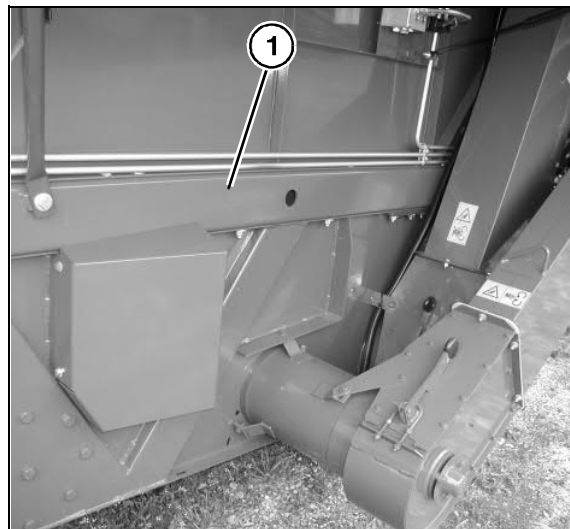


Fig. 3

**Engine identification - Fig. 4**

The engine is identified by the plate (1) on the engine flywheel housing.

The plate shows:

- Family.
- Type.
- Serial number.
- Type approval number (identifies the compliance with the gas emissions directive).

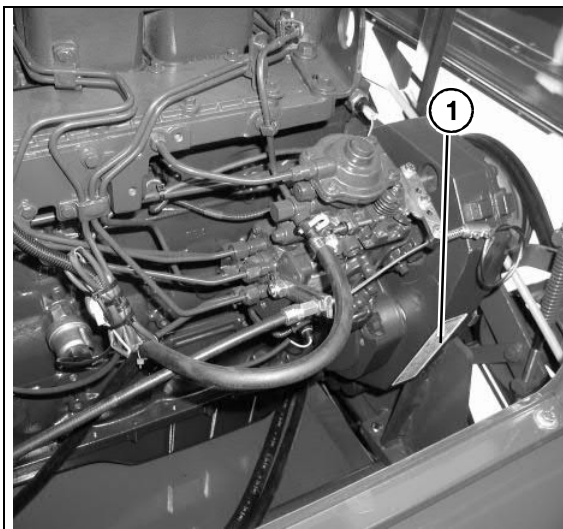


Fig. 4

**Straw chopper identification (if fitted) - Fig. 5**

The type plate is located on the right-hand side next to the straw chopper rotor support.

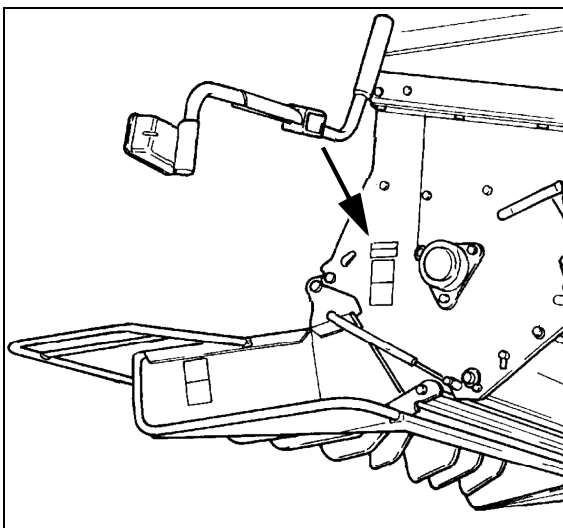


Fig. 5

**Cutting table identification details - Fig. 6**

The type and serial number are stamped on the type plate located on the left-hand side of the frame.

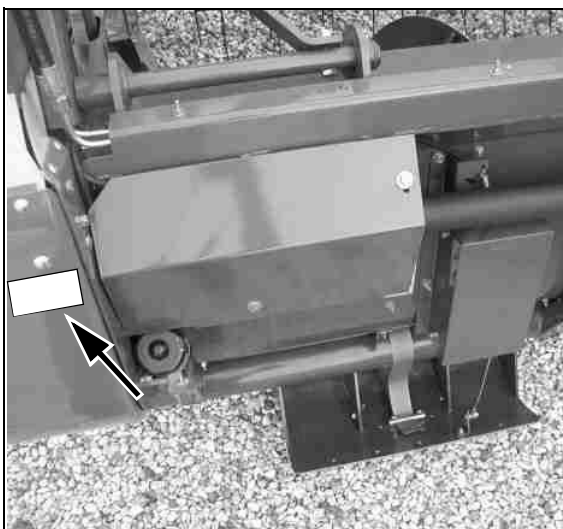


Fig. 6

## **GENERAL INFORMATION**

---

### **Cab identification - Fig. 7**

The cab type plate is located in the bottom left corner of the operator seat, under the concave opening levers.

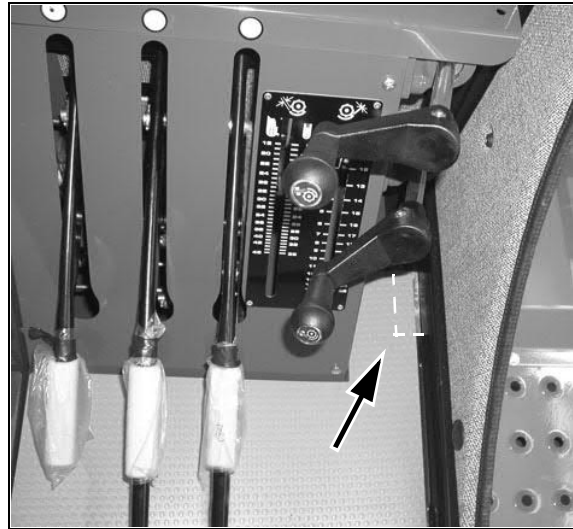


Fig. 7

### **Hydrostatic pump identification**

Fig. 8

The type plate is located on the front part of the pump.

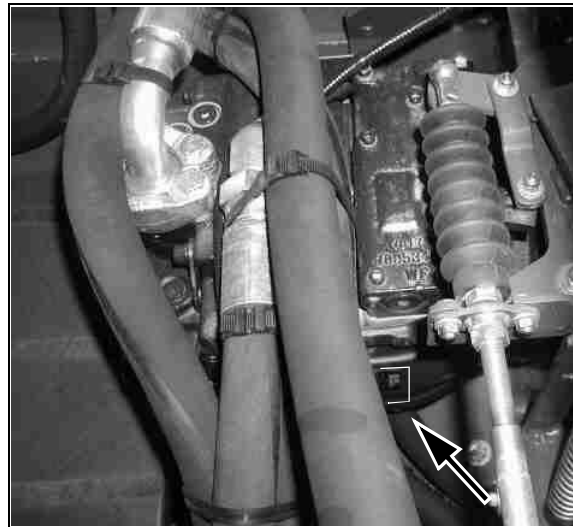


Fig. 8

### **Hydrostatic motor identification**

Fig. 9

The type plate is located on the lower part of the motor.

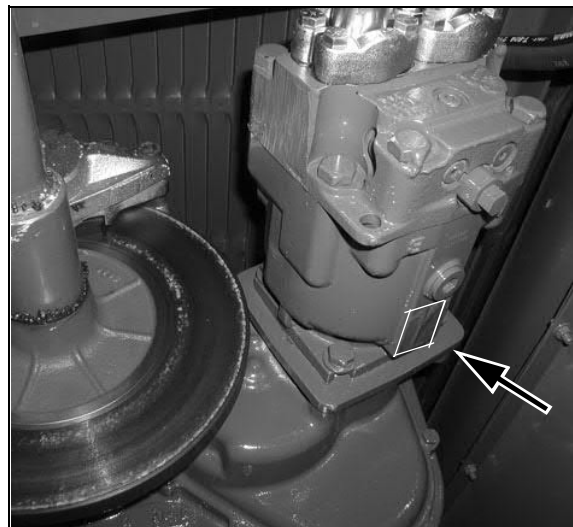


Fig. 9



**Suggest:**

**For more complete manuals. Please go to the home page.**

**<https://www.ebooklibonline.com>**

**If the above button click is invalid. Please download this document first, and then click the above link to download the complete manual.**

**Thank you so much for reading**

**Chaff spreader identification (if fitted) - Fig. 10**

The type plate is located on the right-hand side next to the chaff spreader adjustment lever.

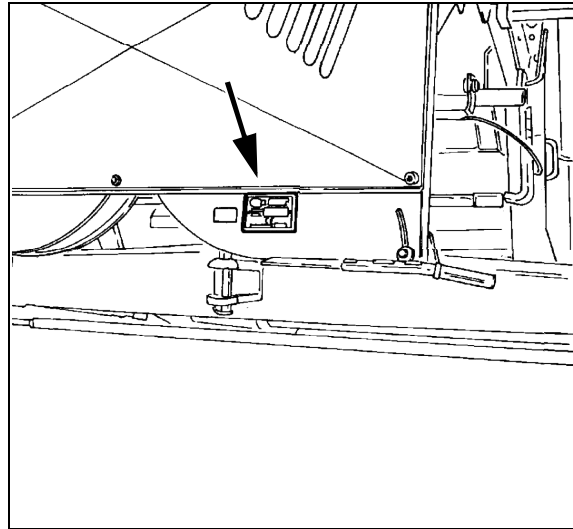


Fig. 10

**Trailer hitch identification (if fitted) - Fig. 11**

The plate is positioned on the right-hand side of the trailer hitch.

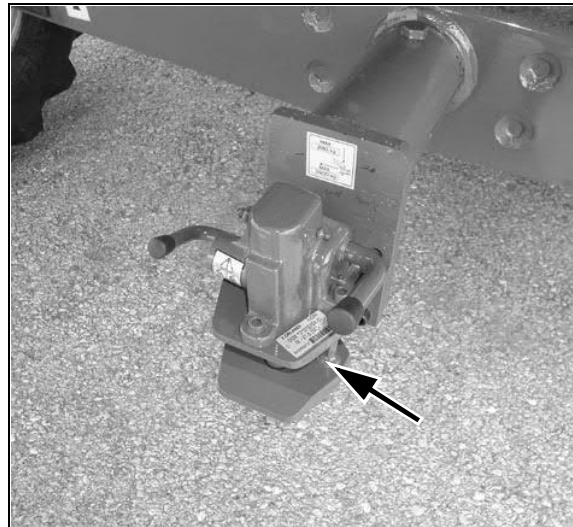


Fig. 11

# GENERAL INFORMATION


Please enter the identification details of your combine for convenient reference:

Combine model .....  
 Combine serial number .....  
 Engine type and serial number .....  
 Cab serial number .....  
 Straw chopper serial number .....  
 Cutting table serial number .....  
 Date of initial start-up .....  
 Dealer's telephone number .....

## EC Declaration of Conformity

The EC Declaration of Conformity, the front and reverse sides of which are shown below, certifies that the combine was designed and built in compliance with the regulations currently applicable within the European Community.

The cutting table has its own Declaration of Conformity.

 <p><b>AGCO</b> Your Agriculture Company</p> <p><b>AGCO International GmbH</b> Victor von Bruns-Strasse 17 8212 Neuhausen am Rheinfall Switzerland</p> <p><b>AGCO S.A.</b> 41, avenue Blaise Pascal 60026 Beauvais Cedex France</p>	<p><b>IT</b> DICHIARAZIONE DI CONFORMITÀ AL REGOLAMENTO CE 2002/95 RELAZIONE DI CONFORMITÀ AL REGOLAMENTO CE 2002/96</p>	<p><b>FR</b> DECLARATION DE CONFORMITE AU REGLEMENT CE 2002/95 RELAZIONE DI CONFORMITÀ AU REGLEMENT CE 2002/96</p>	<p><b>DA</b> ERKLÄRUNG ÜBER DIE ÜBEREINSTEMMUNG MIT DEN VERORDNUNGEN 2002/95/EG UND 2002/96/EG</p>	<p><b>PT</b> DECLARAÇÃO DE CONFORMIDADE COM O REGULAMENTO CE 2002/95 RELAÇÃO DE CONFORMIDADE COM O REGULAMENTO CE 2002/96</p>	<p><b>SO</b> ERKLÄRUNG ÜBER DIE ÜBEREINSTEMMUNG MIT DEN VERORDNUNGEN 2002/95/EG UND 2002/96/EG</p>	<p><b>CS</b> PROHLÁŠENÍ O SOULADĚNÍ S PŘEDPISY CE 2002/95 A 2002/96</p>	<p><b>SL</b> IZJAVILA O SOULADNOSTI S PREDPISI CE 2002/95 A 2002/96</p>	<p><b>NO</b> ERKLÄRUNG ÜBER DIE ÜBEREINSTEMMUNG MIT DEN VERORDNUNGEN 2002/95/EG UND 2002/96/EG</p>
	<p><b>DE</b> ERKLÄRUNG ÜBER DIE ÜBEREINSTEMMUNG MIT DEN VERORDNUNGEN 2002/95/EG UND 2002/96/EG</p>	<p><b>EN</b> DECLARATION OF CONFORMITY TO REGULATIONS CE 2002/95 AND CE 2002/96</p>	<p><b>ES</b> DECLARACIÓN DE CONFORMIDAD CON LOS REGLAMENTOS 2002/95/CE Y 2002/96/CE</p>	<p><b>HU</b> A NYILVÉTELŐZÉS AZ EGYEZMÉNYEK ALÁÍRÁSÁRÓL ÉS A MEGFELELŐSÉGRŐL AZ 2002/95/EK ÉS AZ 2002/96/EK RÉSZLETES SZABÁLYZATI SZABVÁNYOKkal</p>	<p><b>LT</b> PILNATINIS DEKLARACIJA DĖKŲ SUKILPIMŲ TARYBŲ SĄJŪDŽIO REGLAMENTŲ 2002/95/EB IR 2002/96/EB TAIKYMASUI</p>	<p><b>LV</b> PILNĀTINĀS DEKLARĀCIJA PAR ATBĪRĪBU EIROPAS SABIEDRĪBAS REGULAČIJAS 2002/95/EK UN 2002/96/EK PILNĀTINĀS DEKLARĀCIJA PAR ATBĪRĪBU EIROPAS SABIEDRĪBAS REGULAČIJAS 2002/95/EK UN 2002/96/EK</p>	<p><b>SV</b> ERKLÄRUNG ÜBER DIE ÜBEREINSTEMMUNG MIT DEN VERORDNUNGEN 2002/95/EG UND 2002/96/EG</p>	<p><b>EL</b> ΑΔΕΛΦΟΤΗΤΑ ΚΑΤΑ ΤΗΝ ΕΥΡΩΠΑΪΚΗ ΚΑΝΟΝΙΣΤΙΚΗ ΟΜΟΓΕΝΟΤΗΤΑ 2002/95/ΕΚ ΚΑΙ 2002/96/ΕΚ</p>
	<p><b>ET</b> ÜHENDI KÕRVALDAMISEKS KÕRVALDAMISEKS 2002/95/EL JA 2002/96/EL</p>	<p><b>FI</b> SUOMEN VALTION SUOMEN VALTION 2002/95/EY JA 2002/96/EY</p>	<p><b>NL</b> ERKLÄRUNG ÜBER DIE ÜBEREINSTEMMUNG MIT DEN VERORDNUNGEN 2002/95/EG UND 2002/96/EG</p>	<p><b>PL</b> DOKŁADNIJA O WYKONANIU WYMAGANIAW 2002/95/WE I 2002/96/WE</p>	<p><b>RO</b> DECLARAȚIA DE CONFORMITATE COM REGULAMENTUL CE 2002/95 ȘI 2002/96</p>	<p><b>SK</b> PRHLÁŠENÍ O SOULADNOSTI S PŘEDPISY CE 2002/95 A 2002/96</p>	<p><b>TR</b> AT ÜYKLEMEKLE 2002/95/AT VE 2002/96/AT</p>	<p><b>MT</b> DĊARAZZJONI TA' KONFORMITÀ MA' I REGOLAMENTI CE 2002/95 U 2002/96</p>
	<p><b>BE</b> ERKLÄRUNG ÜBER DIE ÜBEREINSTEMMUNG MIT DEN VERORDNUNGEN 2002/95/EG UND 2002/96/EG</p>	<p><b>BG</b> ERKLÄRUNG ÜBER DIE ÜBEREINSTEMMUNG MIT DEN VERORDNUNGEN 2002/95/EG UND 2002/96/EG</p>	<p><b>CY</b> ERKLÄRUNG ÜBER DIE ÜBEREINSTEMMUNG MIT DEN VERORDNUNGEN 2002/95/EG UND 2002/96/EG</p>	<p><b>CZ</b> ERKLÄRUNG ÜBER DIE ÜBEREINSTEMMUNG MIT DEN VERORDNUNGEN 2002/95/EG UND 2002/96/EG</p>	<p><b>EE</b> ERKLÄRUNG ÜBER DIE ÜBEREINSTEMMUNG MIT DEN VERORDNUNGEN 2002/95/EG UND 2002/96/EG</p>	<p><b>EE</b> ERKLÄRUNG ÜBER DIE ÜBEREINSTEMMUNG MIT DEN VERORDNUNGEN 2002/95/EG UND 2002/96/EG</p>	<p><b>EE</b> ERKLÄRUNG ÜBER DIE ÜBEREINSTEMMUNG MIT DEN VERORDNUNGEN 2002/95/EG UND 2002/96/EG</p>	<p><b>EE</b> ERKLÄRUNG ÜBER DIE ÜBEREINSTEMMUNG MIT DEN VERORDNUNGEN 2002/95/EG UND 2002/96/EG</p>
	<p><b>EE</b> ERKLÄRUNG ÜBER DIE ÜBEREINSTEMMUNG MIT DEN VERORDNUNGEN 2002/95/EG UND 2002/96/EG</p>	<p><b>EE</b> ERKLÄRUNG ÜBER DIE ÜBEREINSTEMMUNG MIT DEN VERORDNUNGEN 2002/95/EG UND 2002/96/EG</p>	<p><b>EE</b> ERKLÄRUNG ÜBER DIE ÜBEREINSTEMMUNG MIT DEN VERORDNUNGEN 2002/95/EG UND 2002/96/EG</p>	<p><b>EE</b> ERKLÄRUNG ÜBER DIE ÜBEREINSTEMMUNG MIT DEN VERORDNUNGEN 2002/95/EG UND 2002/96/EG</p>	<p><b>EE</b> ERKLÄRUNG ÜBER DIE ÜBEREINSTEMMUNG MIT DEN VERORDNUNGEN 2002/95/EG UND 2002/96/EG</p>	<p><b>EE</b> ERKLÄRUNG ÜBER DIE ÜBEREINSTEMMUNG MIT DEN VERORDNUNGEN 2002/95/EG UND 2002/96/EG</p>	<p><b>EE</b> ERKLÄRUNG ÜBER DIE ÜBEREINSTEMMUNG MIT DEN VERORDNUNGEN 2002/95/EG UND 2002/96/EG</p>	<p><b>EE</b> ERKLÄRUNG ÜBER DIE ÜBEREINSTEMMUNG MIT DEN VERORDNUNGEN 2002/95/EG UND 2002/96/EG</p>
	<p><b>EE</b> ERKLÄRUNG ÜBER DIE ÜBEREINSTEMMUNG MIT DEN VERORDNUNGEN 2002/95/EG UND 2002/96/EG</p>	<p><b>EE</b> ERKLÄRUNG ÜBER DIE ÜBEREINSTEMMUNG MIT DEN VERORDNUNGEN 2002/95/EG UND 2002/96/EG</p>	<p><b>EE</b> ERKLÄRUNG ÜBER DIE ÜBEREINSTEMMUNG MIT DEN VERORDNUNGEN 2002/95/EG UND 2002/96/EG</p>	<p><b>EE</b> ERKLÄRUNG ÜBER DIE ÜBEREINSTEMMUNG MIT DEN VERORDNUNGEN 2002/95/EG UND 2002/96/EG</p>	<p><b>EE</b> ERKLÄRUNG ÜBER DIE ÜBEREINSTEMMUNG MIT DEN VERORDNUNGEN 2002/95/EG UND 2002/96/EG</p>	<p><b>EE</b> ERKLÄRUNG ÜBER DIE ÜBEREINSTEMMUNG MIT DEN VERORDNUNGEN 2002/95/EG UND 2002/96/EG</p>	<p><b>EE</b> ERKLÄRUNG ÜBER DIE ÜBEREINSTEMMUNG MIT DEN VERORDNUNGEN 2002/95/EG UND 2002/96/EG</p>	<p><b>EE</b> ERKLÄRUNG ÜBER DIE ÜBEREINSTEMMUNG MIT DEN VERORDNUNGEN 2002/95/EG UND 2002/96/EG</p>
	<p><b>EE</b> ERKLÄRUNG ÜBER DIE ÜBEREINSTEMMUNG MIT DEN VERORDNUNGEN 2002/95/EG UND 2002/96/EG</p>	<p><b>EE</b> ERKLÄRUNG ÜBER DIE ÜBEREINSTEMMUNG MIT DEN VERORDNUNGEN 2002/95/EG UND 2002/96/EG</p>	<p><b>EE</b> ERKLÄRUNG ÜBER DIE ÜBEREINSTEMMUNG MIT DEN VERORDNUNGEN 2002/95/EG UND 2002/96/EG</p>	<p><b>EE</b> ERKLÄRUNG ÜBER DIE ÜBEREINSTEMMUNG MIT DEN VERORDNUNGEN 2002/95/EG UND 2002/96/EG</p>	<p><b>EE</b> ERKLÄRUNG ÜBER DIE ÜBEREINSTEMMUNG MIT DEN VERORDNUNGEN 2002/95/EG UND 2002/96/EG</p>	<p><b>EE</b> ERKLÄRUNG ÜBER DIE ÜBEREINSTEMMUNG MIT DEN VERORDNUNGEN 2002/95/EG UND 2002/96/EG</p>	<p><b>EE</b> ERKLÄRUNG ÜBER DIE ÜBEREINSTEMMUNG MIT DEN VERORDNUNGEN 2002/95/EG UND 2002/96/EG</p>	<p><b>EE</b> ERKLÄRUNG ÜBER DIE ÜBEREINSTEMMUNG MIT DEN VERORDNUNGEN 2002/95/EG UND 2002/96/EG</p>
	<p><b>EE</b> ERKLÄRUNG ÜBER DIE ÜBEREINSTEMMUNG MIT DEN VERORDNUNGEN 2002/95/EG UND 2002/96/EG</p>	<p><b>EE</b> ERKLÄRUNG ÜBER DIE ÜBEREINSTEMMUNG MIT DEN VERORDNUNGEN 2002/95/EG UND 2002/96/EG</p>	<p><b>EE</b> ERKLÄRUNG ÜBER DIE ÜBEREINSTEMMUNG MIT DEN VERORDNUNGEN 2002/95/EG UND 2002/96/EG</p>	<p><b>EE</b> ERKLÄRUNG ÜBER DIE ÜBEREINSTEMMUNG MIT DEN VERORDNUNGEN 2002/95/EG UND 2002/96/EG</p>	<p><b>EE</b> ERKLÄRUNG ÜBER DIE ÜBEREINSTEMMUNG MIT DEN VERORDNUNGEN 2002/95/EG UND 2002/96/EG</p>	<p><b>EE</b> ERKLÄRUNG ÜBER DIE ÜBEREINSTEMMUNG MIT DEN VERORDNUNGEN 2002/95/EG UND 2002/96/EG</p>	<p><b>EE</b> ERKLÄRUNG ÜBER DIE ÜBEREINSTEMMUNG MIT DEN VERORDNUNGEN 2002/95/EG UND 2002/96/EG</p>	<p><b>EE</b> ERKLÄRUNG ÜBER DIE ÜBEREINSTEMMUNG MIT DEN VERORDNUNGEN 2002/95/EG UND 2002/96/EG</p>

**<https://www.ebooklibonline.com>**

Hello dear friend!

Thank you very much for reading.

Enter the link into your browser.

The full manual is available for immediate download.

**<https://www.ebooklibonline.com>**