

**Operator's Manual**



# **Pickup Header**

**4300**

# Pickup Header

<b>1</b>	<b>Safety</b>	<b>7</b>
<b>1.1</b>	<b>Introduction</b>	<b>9</b>
1.1.1	Safety symbol	9
1.1.2	Safety messages	9
1.1.3	Information messages	9
1.1.4	Safety signs	9
1.1.5	A word to the operator	10
1.1.6	This manual	11
1.1.6.1	Operator manual holder	11
<b>1.2</b>	<b>Operation</b>	<b>12</b>
1.2.1	Prepare for operation	12
1.2.2	General information	12
1.2.3	Personal protective equipment	14
1.2.4	Seat instructions	14
1.2.5	Shield and guards	15
1.2.6	Exhaust warning	15
1.2.7	Flying debris	16
1.2.8	Handrails	16
1.2.9	Agricultural chemicals	16
<b>1.3</b>	<b>Travel on public roads</b>	<b>17</b>
<b>1.4</b>	<b>Maintenance</b>	<b>19</b>
1.4.1	General maintenance information	19
1.4.2	Fire prevention and first aid	20
1.4.3	High pressure leaks	21
1.4.4	Tire safety	22
1.4.5	Replacement parts	22
<b>1.5</b>	<b>Cylinder stops</b>	<b>23</b>
1.5.1	Header lift cylinder stop	23
1.5.2	Hold-down cylinder support	23
1.5.2.1	Engage the hold-down cylinder support	23
1.5.2.2	Disengage the hold-down cylinder support	23
<b>1.6</b>	<b>Safety signs</b>	<b>25</b>
<b>2</b>	<b>Introduction</b>	<b>31</b>
<b>2.1</b>	<b>Introduction</b>	<b>33</b>
2.1.1	Units of measurement	33
2.1.2	Replacement parts	33
2.1.3	Intended use	33
2.1.4	Proper disposal of waste	33
<b>2.2</b>	<b>Machine identification</b>	<b>34</b>
2.2.1	Serial number plate	34
2.2.2	Serial number description	34
<b>2.3</b>	<b>Component identification</b>	<b>36</b>
<b>2.4</b>	<b>End shields</b>	<b>38</b>
2.4.1	Open the left side end shield	38
2.4.2	Close the left side end shield	38
<b>3</b>	<b>Operation</b>	<b>41</b>
<b>3.1</b>	<b>Checklists</b>	<b>43</b>
3.1.1	Check the machine before operation	43

<b>3.2</b>	<b>Connect and disconnect the header - Fendt combine</b>	44
3.2.1	Connect the header	44
3.2.2	Disconnect the header	46
<b>3.3</b>	<b>Connect and disconnect the header - Ideal combine</b>	49
3.3.1	Connect the header	49
3.3.2	Disconnect the header	50
<b>3.4</b>	<b>Header transport</b>	53
3.4.1	Transport lamps	53
<b>3.5</b>	<b>Field operation</b>	54
3.5.1	Stop the machine	54
3.5.2	Break in the header	54
3.5.3	Draper speed	55
3.5.4	Header height	56
3.5.5	Pickup height	56
3.5.5.1	Adjust the pickup height	57
3.5.6	Adjust the header floatation	57
3.5.7	Hold-down position	60
3.5.8	Adjust the hold-down rod angle	60
3.5.9	Unplug the header	61
3.5.10	Adjust the pan seal assembly	61
<b>3.6</b>	<b>Auger</b>	63
3.6.1	Auger speed	63
3.6.2	Auger position	63
3.6.3	Adjust the auger position	63
3.6.4	Auger float	64
3.6.4.1	Lock the auger float	64
3.6.4.2	Unlock the auger float	65
3.6.5	Stripper plate clearance	66
3.6.5.1	Examine the stripper plate clearance	66
3.6.5.2	Adjust the stripper plate clearance	67
<b>3.7</b>	<b>Driveline</b>	68
3.7.1	Driveline clutch	68
3.7.2	Driveline guard	68
<b>3.8</b>	<b>Crop deflectors</b>	69
3.8.1	Install the crop deflectors	69
3.8.2	Remove the crop deflectors	70
<b>3.9</b>	<b>Prepare the header for storage</b>	71
<b>4</b>	<b>Maintenance</b>	73
<b>4.1</b>	<b>Service Schedule</b>	75
<b>4.2</b>	<b>Service</b>	76
4.2.1	Prepare the header for service	76
4.2.2	Yearly service	76
<b>4.3</b>	<b>Lubrication</b>	77
4.3.1	Lubricate the machine	77
4.3.2	Lubrication points	78
<b>4.4</b>	<b>End shields</b>	79
4.4.1	Remove the left side end shield	79
4.4.2	Install the left side end shield	80
4.4.3	Remove the right side end shield	81
4.4.4	Install the right side end shield	82
4.4.5	Replace the end shield brackets	83
<b>4.5</b>	<b>Draper belt tension</b>	84
4.5.1	Check the draper belt tension	84
4.5.2	Adjust the front draper belt tension	85
4.5.3	Adjust the rear draper belt tension	86

**<https://www.ebooklibonline.com>**

Hello dear friend!

Thank you very much for reading.

Enter the link into your browser.

The full manual is available for immediate download.

**<https://www.ebooklibonline.com>**

<b>4.6</b>	<b>Draper belts</b> . . . . .	<b>88</b>
4.6.1	Remove the front draper belt . . . . .	88
4.6.2	Install the front draper belt . . . . .	89
4.6.3	Remove the rear draper belt . . . . .	91
4.6.4	Install the rear draper belt . . . . .	92
4.6.5	Draper fingers and draper guides . . . . .	93
4.6.5.1	Replace a draper finger . . . . .	93
4.6.5.2	Replace a draper guide . . . . .	93
<b>4.7</b>	<b>Cutterbar seal</b> . . . . .	<b>95</b>
4.7.1	Adjust the cutterbar seal . . . . .	95
4.7.2	Remove the cutterbar rubber seal . . . . .	95
<b>4.8</b>	<b>Driveline</b> . . . . .	<b>97</b>
4.8.1	Lubricate the header drive shaft . . . . .	97
4.8.2	Remove the header driveline . . . . .	97
4.8.3	Install the header driveline . . . . .	98
4.8.4	Replace the driveline clutch . . . . .	100
4.8.5	Remove the driveline guard . . . . .	101
4.8.6	Install the driveline guard . . . . .	103
4.8.7	Clean the splined shaft . . . . .	104
<b>4.9</b>	<b>Auger drive</b> . . . . .	<b>106</b>
4.9.1	Lubricate the auger drive chain . . . . .	106
4.9.2	Remove the auger drive chain . . . . .	106
4.9.3	Install the auger drive chain . . . . .	107
4.9.4	Adjust the auger drive chain tension . . . . .	108
4.9.5	Remove the driven sprocket . . . . .	109
4.9.6	Install the driven sprocket . . . . .	109
4.9.7	Remove the drive sprocket . . . . .	113
4.9.8	Install the drive sprocket . . . . .	114
<b>4.10</b>	<b>Auger</b> . . . . .	<b>116</b>
4.10.1	Replace the auger fingers . . . . .	116
4.10.2	Replace the auger finger guides . . . . .	117
4.10.3	Replace the auger finger holders . . . . .	118
4.10.4	Replace the stripper plates . . . . .	121
4.10.5	Replace the flighting extensions . . . . .	121
<b>4.11</b>	<b>Hold down</b> . . . . .	<b>123</b>
4.11.1	Replace the hold-down rods . . . . .	123
<b>4.12</b>	<b>Hydraulic</b> . . . . .	<b>125</b>
4.12.1	Bleed the cylinders and the lines . . . . .	125
<b>4.13</b>	<b>Electrical</b> . . . . .	<b>126</b>
4.13.1	Height controllers . . . . .	126
4.13.1.1	Manually examine the voltage range . . . . .	126
4.13.1.2	Adjust the header height control voltage range - right-hand side . . . . .	128
4.13.1.3	Adjust the header height control voltage range - left-hand side . . . . .	129
4.13.2	Examine the draper speed sensor adjustment . . . . .	130
4.13.3	Adjust the draper speed sensor . . . . .	130
4.13.4	Lamps . . . . .	131
4.13.5	Adjust the transport lamps . . . . .	131
<b>4.14</b>	<b>Wheels and tires</b> . . . . .	<b>132</b>
4.14.1	Replace the wheels . . . . .	132
<b>5</b>	<b>Troubleshooting</b> . . . . .	<b>135</b>
<b>5.1</b>	<b>Troubleshooting</b> . . . . .	<b>137</b>
<b>6</b>	<b>Specifications</b> . . . . .	<b>141</b>
<b>6.1</b>	<b>Specifications</b> . . . . .	<b>143</b>
6.1.1	Header specifications . . . . .	143

---

6.1.2	Header dimensions . . . . .	144
6.1.3	Lubrication specifications . . . . .	145
<b>7</b>	<b>Assembly . . . . .</b>	<b>147</b>
<b>7.1</b>	<b>Preparing for assembly . . . . .</b>	<b>149</b>
7.1.1	Unload the header . . . . .	149
7.1.2	Lower the header . . . . .	150
<b>7.2</b>	<b>Assembly . . . . .</b>	<b>152</b>
7.2.1	Remove the transport hardware . . . . .	152
7.2.2	Set the rigid wheels to the field position . . . . .	153
7.2.3	Set the caster wheels to the field position . . . . .	154
7.2.4	Install the crop deflectors . . . . .	155
7.2.5	Install the driveline storage bracket . . . . .	156
7.2.6	Adjust the transport lamps . . . . .	157
7.2.7	Extend the hold down . . . . .	158
7.2.8	Change the header opening . . . . .	158
7.2.9	Reduce the header opening . . . . .	159
7.2.10	Combine completion kits . . . . .	162
<b>7.3</b>	<b>Checklists . . . . .</b>	<b>163</b>
7.3.1	Pre-delivery checklist . . . . .	163
7.3.2	Delivery checklist . . . . .	163
<b>8</b>	<b>Index . . . . .</b>	<b>165</b>

# 1 Safety

<b>1.1</b>	<b>Introduction</b>	<b>9</b>
1.1.1	Safety symbol	9
1.1.2	Safety messages	9
1.1.3	Information messages	9
1.1.4	Safety signs	9
1.1.5	A word to the operator	10
1.1.6	This manual	11
1.1.6.1	Operator manual holder	11
<b>1.2</b>	<b>Operation</b>	<b>12</b>
1.2.1	Prepare for operation	12
1.2.2	General information	12
1.2.3	Personal protective equipment	14
1.2.4	Seat instructions	14
1.2.5	Shield and guards	15
1.2.6	Exhaust warning	15
1.2.7	Flying debris	16
1.2.8	Handrails	16
1.2.9	Agricultural chemicals	16
<b>1.3</b>	<b>Travel on public roads</b>	<b>17</b>
<b>1.4</b>	<b>Maintenance</b>	<b>19</b>
1.4.1	General maintenance information	19
1.4.2	Fire prevention and first aid	20
1.4.3	High pressure leaks	21
1.4.4	Tire safety	22
1.4.5	Replacement parts	22
<b>1.5</b>	<b>Cylinder stops</b>	<b>23</b>
1.5.1	Header lift cylinder stop	23
1.5.2	Hold-down cylinder support	23
1.5.2.1	Engage the hold-down cylinder support	23
1.5.2.2	Disengage the hold-down cylinder support	23
<b>1.6</b>	<b>Safety signs</b>	<b>25</b>



## 1.1 Introduction

### 1.1.1 Safety symbol

The safety symbol tells you about a potentially hazardous area!

Look for the safety symbol in this manual and on the machine. The safety symbols tell you that there is important safety instructions in the manual.



Fig. 1

### 1.1.2 Safety messages

The words DANGER, WARNING or CAUTION are used with the safety symbol. Learn these safety messages and obey the recommended precautions and safety instructions.



**DANGER:**  
If you do not obey the recommended precautions and safety instructions, **DEATH OR INJURY will occur.**



**WARNING:**  
If you do not obey the recommended precautions and safety instructions, **DEATH OR INJURY can occur.**



**CAUTION:**  
If you do not obey the recommended precautions and safety instructions, **INJURY can possibly occur.**



Fig. 2

### 1.1.3 Information messages

The words important and note are not related to personal safety, and are used to give information about the operation and servicing of the machine.

**IMPORTANT:** Identifies special instructions or procedures which, if not followed, can cause damage to the machine, the process, or the area around the machine.

**NOTE:** Information to make procedures easier.

### 1.1.4 Safety signs



**WARNING:**  
**Do not remove the safety signs. Replace safety signs that you cannot read, are damaged, or are missing.**

Clean the machine surface with a weak soap and water solution before you replace the safety signs. Replacement safety signs are available from your dealer.

## 1. Safety

Always make sure that safety signs are in the correct locations and that you can read the safety signs. Illustrations of safety sign locations are in this section.

Keep the safety signs clean. If necessary, use a weak soap and water solution.

### 1.1.5 A word to the operator

It is your responsibility to read and understand the safety section in this manual and the manual for all implements before you operate this machine. You are responsible for your safety. Good safety procedures prevent injury to you and the persons around you.

Make the information in the safety section of this manual a part of your safety procedure. This safety section is written only for this type of machine. Safety is your responsibility. You can prevent injury and death.

This safety section gives basic safety examples that can occur during the operation and maintenance of your machine. This safety section is not a replacement for safety instruction in other sections of this manual.

Injury or death can occur if the safety instruction is not obeyed.

Learn how to operate the machine and how to use the controls correctly.

Do not operate the machine if you do not know how to operate the machine. Do not let persons operate the machine that do not know how to operate the machine.

Follow all safety instructions in the manuals and on the safety signs on the machine, the implements, and the attachments.

Use only approved attachments and implements.

Make sure that your machine has the correct equipment that is necessary by the local regulations.

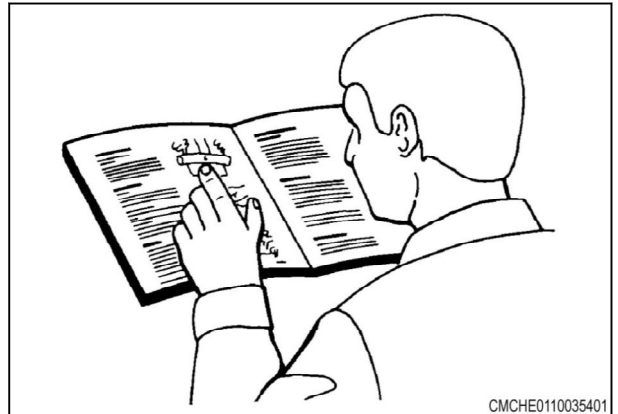


Fig. 3



**WARNING:**

**Do not use alcohol or drugs that can have an effect on alertness or coordination. If you use prescription or 'over the counter' drugs, get medical advice about the safe operation of machines.**



**CAUTION:**

**If attachments or implements used with this machine have a different operator manual, see that operator manual for other important safety instructions.**



**Suggest:**

**For more complete manuals. Please go to the home page.**

**<https://www.ebooklibonline.com>**

**If the above button click is invalid. Please download this document first, and then click the above link to download the complete manual.**

**Thank you so much for reading**



**CAUTION:**  
See the engine operation and maintenance manual for other important safety instructions.



**CAUTION:**  
See the combine operator manual for other important safety instructions.

## 1.1.6 This manual

This manual covers general safety instructions for this machine. Keep this manual with the machine.

Right and left, as used in this manual, are given as if you are in the operator seat.

The photos, illustrations, and data used in this manual were up to date when published, but in-line production changes can make your machine have small differences. The manufacturer reserves the right to redesign and change the machine as necessary without notification.



**WARNING:**  
In some of the illustrations and photos used in this manual, shields or guards are removed. Operate the machine only with all shields and guards in the correct installed positions. If the removal of shields or guards is necessary to make a repair, they must be installed before operation.

### 1.1.6.1 Operator manual holder

The operator manual holder (1) is located under on the back of the header

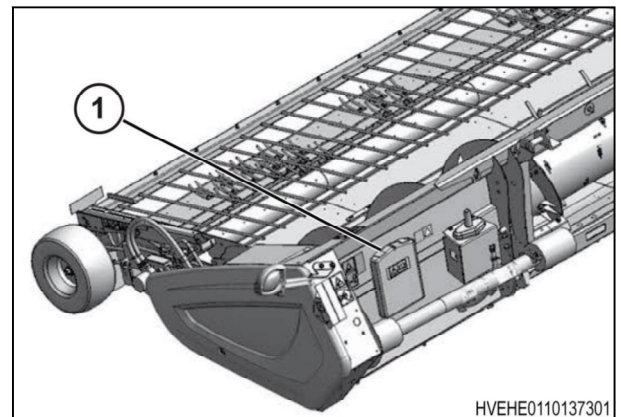


Fig. 4

## 1.2 Operation

### 1.2.1 Prepare for operation

Read and understand the operating instructions and precautions in this manual before you operate or perform service on the machine.

Make sure that you know and understand the positions and operations of all controls. Make sure that all controls are in neutral and the parking brake is applied before you start the machine.

Make sure that all persons are a sufficient distance from your area of work before you start or operate the machine. Do checks on the controls and learn all controls in an area clear of persons and objects before you start work with the machine. Know the dimensions of the machine and have sufficient space available for operation. Do not operate the machine at high speeds around persons, buildings, other equipment, etc.

Always use correct procedures when you do tasks around and operate the machine. Do not let children or persons who do not know how to operate the machine operate the machine. Keep other persons away from your area of work. Do not let other persons ride on the machine.

Make sure that the machine is in the good mechanical condition. Make sure that the machine has the correct equipment as necessary by local regulations.

All equipment has a limit. Make sure you understand the speed, brakes, steering, stability, and load characteristics of this equipment before you start.

### 1.2.2 General information

When parking, park the machine on a solid level surface and lower the header to the ground. Put all controls in neutral and apply the park brake. Stop the engine and take the key with you.



**WARNING:**  
**Do not leave the machine unattended with the header raised. Lower the header fully before leaving the machine. A sudden loss of hydraulic pressure can cause the header to drop without warning.**

Make sure the machine is in the proper operating condition according to the Operator Manual.

Always operate the machine with the control console turned on.

Do not dismount from moving machinery.

Stay off slopes too steep for operation.

Be aware of the size of the machine and have enough space available to allow for operation.

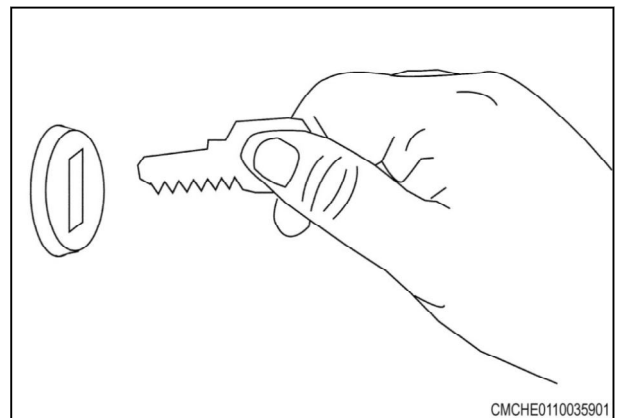


Fig. 5

**<https://www.ebooklibonline.com>**

Hello dear friend!

Thank you very much for reading.

Enter the link into your browser.

The full manual is available for immediate download.

**<https://www.ebooklibonline.com>**