

FENDT 900 Vario S4

FENDT 927 Vario S4

950 .. 1001-

FENDT 930 Vario S4

951 .. 1001-

FENDT 933 Vario S4

952 .. 1001-

FENDT 936 Vario S4

953 .. 1001-

FENDT 939 Vario S4

954 .. 1001-



FENDT 900 Vario S4

1 00-000 Entire vehicle system	1-1
1.1 General	1-5
1.1.1 Assignment table FENDT T types to the EU Type Approval Number	1-5
1.1.2 Notes on documentation	1-6
1.1.3 Note on hydraulics	1-7
1.1.4 Support points for jack and support stands	1-7
1.2 Safety instructions	1-8
1.2.1 Importance of and position of the safety decals	1-8
1.2.2 Work on the hydraulics	1-20
1.2.3 Working on the front axle suspension	1-20
1.2.4 Work on front/rear loader	1-22
1.2.5 Work on diesel engine and peripherals	1-24
1.2.6 Working on the PTO	1-27
1.3 Tightening requirements	1-28
1.3.1 Spanner sizes for globally standard parts	1-28
1.3.2 Tightening torque for screws with a galvanized surface	1-28
1.3.3 Tightening torque for screws and bolts with VDA coating	1-30
1.3.4 Tightening requirements for threaded plugs	1-30
1.3.5 Tightening requirements of banjo bolts	1-31
1.3.6 Tightening torques for hose clamps	1-32
1.4 Fuels and lubricants	1-34
1.4.1 Biodiesel	1-34
1.4.2 Biodegradable hydraulic oil	1-34
1.5 Technical specification	1-36
1.5.1 Technical specification: Dimensions and weights	1-36
1.5.2 Technical specification: Gearbox	1-40
1.5.3 Technical data: Diesel engine	1-50
1.5.4 Technical specification: Front axle	1-59
1.5.5 Technical data: Steering	1-62
1.5.6 Technical data: Chassis	1-64
1.5.7 Technical data: climate control and heating	1-75
1.5.8 Technical data: Wheels	1-76
1.5.9 Technical data: compressed air system	1-90
1.5.10 Technical data: Cab	1-92
1.5.11 Technical data: Three-point linkage and lift system	1-92
1.5.12 Technical data: Front/rear loader	1-94
1.5.13 Technical data: Electrical system	1-97
1.5.14 Technical data: Hydraulics	1-98
1.6 Fault code tables 800 / 900 Vario S4	2-1
1.6.1 Fault code tables	2-3
1.6.1.1 Confirming, calling up, deleting fault codes	2-3
1.6.1.2 Fault code 00.0.00	2-5
1.6.1.3 Fault code 01.0.00	2-9
1.6.1.4 Error code 02.1.00	2-16
1.6.1.5 Error code 03.1.00	2-18
1.6.1.6 Fault code 04.1.00	2-20
1.6.1.7 Fault code 05.1.00	2-33
1.6.1.8 Fault code 06.1.00	2-38
1.6.1.9 Fault code 07.1.00	2-43
1.6.1.10 Fault code 08.1.00	2-45

1.6.1.11	Fault code 09.1.00	2-51
1.6.1.12	Fault code 0A.1.00	2-56
1.6.1.13	Fault code 0B.1.00	2-75
1.6.1.14	Error code 0D.1.00	2-78
1.6.1.15	Fault code 0E.1.00	2-81
1.6.1.16	Error code 0F.1.00	2-86
1.6.1.17	Fault code 10.1.00	2-90
1.6.1.18	Error code 12.1.00	2-91
1.6.1.19	Fault code 15.1.00	2-99
1.6.1.20	Fault code 17.1.00	2-100
1.6.1.21	Fault code 18.01.00	2-101
1.6.1.22	Fault code 1A.1.00	2-104
1.6.1.23	Fault code 1D.1.00	2-109
1.6.1.24	Fault code 1F.1.00	2-121
1.6.1.25	Error code 20.1.00	2-122
1.6.1.26	Calibration fault codes	2-127
1.7	Component position	1-137
1.7.1	Electrical/electronic components - A	1-137
1.7.2	Electrical/electronic components - B	1-147
1.7.3	Electrical/electronic components - E	1-162
1.7.4	Electrical/electronic components - F	1-173
1.7.5	Electrical/electronic components - G	1-173
1.7.6	Electrical/electronic components - H	1-174
1.7.7	Electrical/electronic components - K	1-176
1.7.8	Electrical/electronic components - M	1-179
1.7.9	Electrical/electronic components - R	1-183
1.7.10	Electrical/electronic components - S	1-184
1.7.11	Electrical/electronic components - U	1-192
1.7.12	Electrical/electronic components - X (0001–1000)	1-193
1.7.13	Electrical/electronic components - X (1001–2000)	1-197
1.7.14	Electrical/electronic components - X (2001–4000)	1-202
1.7.15	Electrical/electronic components - X (4001–6000)	1-203
1.7.16	Electrical/electronic components - Y	1-239
1.7.17	Hydraulic components	1-251
1.8	Calibrations	1-292
1.8.1	Adjustments — General	1-292
1.8.1.1	Calibration notes	1-292
1.8.2	Adjustments — Gearbox	1-292
1.8.2.1	Calibration 4001 clutch pedal	1-292
1.8.2.2	Calibration 4002: Hand throttle	1-295
1.8.2.3	Calibration 4003: Travel range selector	1-298
1.8.2.4	Calibration 4005 driving pedal	1-302
1.8.2.5	Calibration 4007: Transmission ratio characteristic	1-304
1.8.2.6	Calibration 4009: Turbo-clutch function	1-308
1.8.2.7	Calibration 4010 driving pedal resolution	1-312
1.8.3	Adjustments — Sensors and functions	1-315
1.8.3.1	Calibration 1001 crossgate lever	1-315
1.8.3.2	Calibration 1003/1004/1005/1006 Linear modules	1-321
1.8.3.3	Calibration 2401 steering angle sensor	1-325
1.8.3.4	Calibration 2401 - checking the calibration accuracy	1-329
1.8.3.5	Calibration 2403: Steering valve, when required.	1-331
1.8.3.6	Calibration 6034: Rear PTO clutch	1-335
1.8.3.7	Calibration 7034 front PTO clutch	1-338
1.8.3.8	Calibration 7666: Front axle suspension	1-341
1.8.3.9	Calibration 8001 rear EPC - depth control	1-344
1.8.3.10	Calibration 8002: Rear EPC - position control	1-347
1.8.3.11	Calibration 9001 front EPC - depth control	1-351
1.8.3.12	Calibration 9002 front EPC - position control	1-354

<https://www.ebooklibonline.com>

Hello dear friend!

Thank you very much for reading.

Enter the link into your browser.

The full manual is available for immediate download.

<https://www.ebooklibonline.com>

1.8.3.13 Heating valve calibration - automatic air-conditioning system	1-357
1.8.3.14 Speed display calibration	1-359
1.9 Calibrations fault code	1-362
1.9.1 Calibration fault code 1001	1-362
1.9.2 Calibration fault code 1003	1-362
1.9.3 Calibration fault code 1004	1-362
1.9.4 Calibration fault code 1005	1-363
1.9.5 Calibration fault code 1006	1-363
1.9.6 Calibration fault code 2401	1-363
1.9.7 Calibration fault code 2403	1-364
1.9.8 Calibration fault code 4001	1-364
1.9.9 Calibration fault code 4002	1-365
1.9.10 Calibration fault code 4003	1-365
1.9.11 Calibration fault code 4005	1-366
1.9.12 Calibration fault code 4007	1-366
1.9.13 Calibration fault code 4009	1-368
1.9.14 Calibration fault code 4010	1-369
1.9.15 Calibration fault code 7666	1-370
1.9.16 Calibration fault code 8001	1-370
1.9.17 Calibration fault code 8020	1-370
1.9.18 Calibration fault code 8021	1-371
1.9.19 Calibration fault code 8022	1-371
1.9.20 Calibration fault code 8023	1-371
1.9.21 Calibration fault code 9001	1-372
1.9.22 Calibration fault code 9002	1-372
1.9.23 Tire circumference calibration fault code	1-372
1.9.24 Heater valve calibration fault code	1-372
3 01-000 Engine, fuel and exhaust system	3-1
3.1 General	3-3
3.1.1 Engine horsepower: comparison of standards and directives	3-3
3.1.2 General description of the common rail system	3-4
3.1.3 PTO power measurement	3-5
3.2 motor	3-8
3.2.1 Faults	3-8
3.2.2 Read out the Trip Recorder (load spectrum) using Serdia diagnostics	3-19
3.2.3 Automatic calibration of injectors ZFL	3-26
3.2.4 Deutz TCD 6.1/7.8 engines: Read out fault memory	3-34
3.2.5 Calculating the fuel consumption of a diesel engine	3-45
3.2.6 AdBlue® - and fuel consumption (emission level 4, Tier 4f)	3-53
3.2.7 Compression test with SerDia	3-58
3.2.8 Compression test with compression pressure recorder	3-62
3.2.9 Crankcase pressure and ventilation	3-68
3.2.10 Remove and replace the belt drive and tension pulley; repair the tension pulley	3-75
3.3 Cylinder head	3-86
3.3.1 Valve adjustment (Deutz and AGCO Power engines)	3-86
3.3.2 Remove and install the injector and injector sleeve	3-101
3.4 Cooling system	3-128
3.4.1 Coolant circuit: Deutz TTCD 7.8	3-128
3.5 Fuel system	3-136
3.5.1 Pressure testing common rail system / fuel pre-filter / injector / dispensing unit / high-pressure pump	3-136
3.5.2 High-pressure accumulator: Common rail	3-180
3.5.3 Design and function of the high-pressure relief valve	3-181
3.5.4 High-pressure relief valve and rail pressure sensor: removal and installation	3-182
3.5.5 Y095 to Y101 - Injectors 1 to 6	3-186
3.6 Lubrication	3-190

3.6.1	Schema: engine lubrication Deutz TTCD 7.8 L6 4V	3-190
3.7	Charge air and exhaust gas system	3-196
3.7.1	Design, operating conditions and cleaning	3-196
3.7.2	Fault analysis on exhaust gas return (AGRex)	3-222
3.7.3	Function test of exhaust gas after-treatment system (DPF/SCR) with Serdia diagnostics program	3-229
3.7.4	Diesel particulate filter: Active regeneration and filter replacement	3-234
3.7.5	Decrystallization of the SCR exhaust system	3-243
3.7.6	Fault analysis on A084 supply module/Y120 AdBlue flow valve (read faults/flush/check SCR system)	3-253
3.7.7	SCR heater fault analysis	3-286
4	02-000 Front axle	4-1
4.1	Front axle	4-3
4.1.1	Technical drawing: Wishbone arm	4-3
4.1.2	Technical drawing: Planetary final drive and steering knuckle housing	4-9
4.1.3	Technical drawing: Suspension cylinder	4-13
4.1.4	Technical drawing: Pinion shaft and differential	4-15
4.1.5	Axle shaft with/without brake	4-20
4.1.6	Removing front axle	4-26
4.1.7	Disassemble and reassemble ZF suspension cylinder / replace mounting pins	4-30
4.1.8	Check play in the front axle drive shaft	4-55
4.2	Suspension	4-64
4.2.1	Functional diagrams of front axle suspension	4-64
4.3	Steering cylinder	4-70
4.3.1	Technical drawing: Steering cylinder and track rod	4-70
4.4	Cardan shaft	4-76
4.4.1	Technical drawing: Front-wheel drive shaft	4-76
5	03-000 Steering system	5-1
5.1	VarioGuide	5-3
5.1.1	Hardware architecture	5-3
5.1.2	Wiring/cable sets	5-5
5.1.3	Circuit diagram	5-7
5.1.4	Hydraulic check	5-8
5.1.5	A050 - basic control unit ECU (EXT) - VarioGuide	5-15
5.1.6	B067 - steering angle sensor	5-18
5.1.7	B081 - steering wheel sensor (360°)	5-22
5.1.8	Y085 - pilot pressure switch-off solenoid valve (VarioGuide)	5-39
5.1.9	Y086 - steering disconnect solenoid valve (VarioGuide)	5-43
5.1.10	Y099 - pilot pressure switch-off solenoid valve (VarioGuide)	5-47
6	04-000 Drive train	6-1
6.1	Gearbox control	6-3
6.1.1	Transmission function diagram	6-3
6.1.2	Position of transmission components (FENDT 900 Vario S4)	6-9
6.1.3	ML260 transmission pressure measurement (fax template)	6-21
6.1.4	Pressure measurement: Comfort hydraulics — Fax template (travel speed range I/II, diff. lock, 4WD, rear PTO)	6-42
6.2	Differential unit	6-49
6.2.1	RA 260 F rear axle: Removing and installing, dismantling, assembling and adjusting the pinion shaft, differential and crown wheel.	6-49
6.3	Final drive axle	6-89
6.3.1	Disassemble and reassemble HA260F rear axle	6-89
6.4	Brake system	6-118
6.4.1	Remove and install rear-wheel brake and brake actuator (HA 260F)	6-118

6.4.2	Adjusting rear wheel brake	6-148
6.4.3	Magnet setting for S005/S006 switch, right/left brake	6-153
6.5	Vario insert	6-156
6.5.1	Function of 2V3/2V4 high pressure relief valves	6-156
6.5.2	Function of flushing valve 2V5	6-157
6.5.3	Removing Vario insert	6-158
6.5.4	Fit the Vario insert	6-167
6.5.5	Install A009 actuator unit	6-177
6.5.6	Change high pressure relief valves	6-180
6.5.7	Replacing the flushing valve	6-181
6.5.8	Top up the transmission oil	6-183
6.5.9	Remove actuator shaft	6-183
6.5.10	Fit actuator shaft	6-186
6.5.11	Remove connecting rod	6-190
6.5.12	Fit connecting rod	6-192
6.5.13	Dismantle control housing	6-195
6.5.14	Fit control housing	6-196
6.6	Front PTO	6-199
6.6.1	Front PTO drawings	6-199
6.6.2	Disassemble front PTO	6-207
6.6.3	Assemble front PTO	6-219
6.6.4	Front PTO - check system pressure and clutch pressure, fax template	6-232
6.7	Rear PTO	6-237
6.7.1	Disassembling and reassembling rear PTO gearbox (HA 260F)	6-237
6.8	Front wheel drive	6-279
6.8.1	Dismantling and assembling the front-wheel drive clutch	6-279
6.9	Wheel weights	6-295
6.9.1	Fitting wheel weights:	6-295
7	05-000 Compressed-air system	7-1
7.1	General	7-3
7.1.1	Compressed air pipes acc. to DIN 74324	7-3
7.1.2	Unlocking tool for compressed air pipes	7-3
7.1.3	Tightening torques for compressed air connection system	7-3
7.2	Compressed-air system	7-6
7.2.1	Compressed air comparison, single-circuit to dual-circuit brake system	7-6
7.2.2	Compressed air compressor with energy saving system (ESS)	7-7
7.2.3	Check oil consumption of compressed air compressor	7-14
7.2.4	Air dryer P2 with pressure controller	7-17
7.2.5	4-circuit safety valve P4	7-18
7.2.6	Pneumatic parking brake	7-27
7.2.7	"VarioGrip" tire pressure monitoring system, function and layout	7-33
7.2.8	Check ABS (A086 ECU and Y160 solenoid valve)	7-55
7.2.9	Front wheel brake, rear wheel brake, parking brake	7-81
7.2.10	Adjust trailer control valve: Compressed air pilot control system and brake lead	7-89
7.2.11	Synchronization of tractor and trailer	7-96
7.2.12	Dual-line brake: couplings between tractor and trailer	7-102
7.2.13	Tool for checking the tractor and trailer brake system	7-109
8	06-000 Hydraulic system	8-1
8.1	Hydraulic equipment	8-3
8.1.1	Test report fax template - hydraulic pumps	8-3
8.1.2	Functional plans: Generation of control pressure (pilot pressure) 22 bar	8-14
8.1.3	Program valves	8-19
8.1.4	External load sensing pressure rise (Power Beyond)	8-26
8.1.5	Removing rear hydraulic quick-release coupler	8-27

8.1.6	Installing rear hydraulic quick-release coupler	8-30
8.1.7	Seal hydraulic quick-release coupling	8-33
8.1.8	Front hydraulic connectors	8-41
8.2	Hydraulic pumps	8-47
8.2.1	Function of LS pump (PR) (working and steering hydraulics)	8-47
8.2.2	Drive LS pump, auxiliary pump, transmission servo pump and transmission lubrication pump (technical drawing)	8-54
8.2.3	Technical drawing: Pump drive for the PNL wheel-driven emergency steering pump	8-64
8.2.4	Removing the LS pump	8-69
8.2.5	Installing the LS pump	8-75
8.3	Hydraulic trailer brake	8-82
8.3.1	Function of the hydraulic trailer brake (French and Italian versions)	8-82
9	07-000 Electrical system	9-1
9.1	General	9-5
9.1.1	Component identification in accordance with DIN 40719	9-5
9.1.2	Hall sensor operation	9-5
9.1.3	Button & switch functionality	9-11
9.1.4	Rotary position sensor function, when used as a current divider	9-15
9.1.5	Pressure sensor function, when used as a current divider	9-20
9.2	Circuit diagrams	9-25
9.2.1	Circuit diagrams for A050 - basic control ECU	9-25
9.3	Measure and test - A components	9-32
9.3.1	A007 - instrument panel	9-32
9.3.2	A009 - actuator unit	9-44
9.3.3	Installing A009 actuator unit	9-52
9.3.4	A011 - radar sensor	9-59
9.3.5	A013 - circuit board, microfuses	9-62
9.3.6	A036 - "dashboard" control panel	9-68
9.3.7	A038 - relay; +supply; K BUS	9-72
9.3.8	A038 - head light, side light, direction indicator	9-83
9.3.9	A038 - horn, rotating beacon, wide vehicle marker	9-89
9.3.10	A038 - work lights	9-91
9.3.11	A038 - interior lighting	9-94
9.3.12	A038 - mirror heating, rear window heating, windscreen heating; windscreen wipers	9-96
9.3.13	A038 - automatic air conditioning system (heating, air conditioning, ventilation)	9-100
9.3.14	A038 - sockets	9-106
9.3.15	A038 - Starter and tank pump	9-115
9.3.16	A038 - reverse drive control (Rüfa)	9-118
9.3.17	A038 Work light activation	9-124
9.3.18	Check A038 - central electrical system ECU with adapter box	9-132
9.3.19	A050 - +supply	9-135
9.3.20	A050 - basic control unit ECU (EXT) Check with adapter box	9-141
9.3.21	A077 - immobilizer	9-143
9.3.22	A082 - NOx1 nitrogen oxide sensor upstream of SCR	9-146
9.3.23	A083 - NOx2 nitrogen oxide sensor downstream of SCR	9-147
9.3.24	A084 - AdBlue® module	9-148
9.3.25	Check ABS (A086 ECU and Y160 solenoid valve)	9-152
9.3.26	A087 - tire pressure monitoring system (TPMS)	9-178
9.3.27	A099 - engine control unit	9-180
9.3.28	A099 - engine control unit ECU (EDC 17) Check using adapter box	9-187
9.3.29	A100 - MFA, multifunction armrest	9-189
9.3.30	A100 - multifunction armrest (MFA) Check with adapter box	9-197
9.3.31	A133 air intake throttle ECU	9-200
9.3.32	A134 - exhaust gas recirculation ECU	9-201

9.3.33	A136 - wastegate ECU	9-202
9.3.34	A177 - AGCO Connectivity Module (ACM)	9-204
9.4	Measure and test - B components	9-205
9.4.1	B002 - front PTO speed sensor	9-205
9.4.2	B004 - vacuum switch (air filter)	9-206
9.4.3	B008 - high pressure sensor 1	9-208
9.4.4	B009 - discharge temperature sensor	9-210
9.4.5	B013 hydraulic oil temperature sensor	9-211
9.4.6	B014 - collecting shaft sensor	9-213
9.4.7	B015 - bevel pinion sensor	9-215
9.4.8	B016 - travel speed range detection sensor	9-216
9.4.9	B017 clutch pedal sensor	9-217
9.4.10	B019 - compressed air supply sensor, circuit 2	9-218
9.4.11	B020 - rear PTO (stub shaft) speed sensor	9-221
9.4.12	B021 - rear PTO clutch speed sensor	9-222
9.4.13	B031 - right draft sensing pin	9-223
9.4.14	B032 left-hand draft sensing pin sensor	9-224
9.4.15	B034 - Immersed tube fuel level sensor	9-226
9.4.16	B039 - high pressure sensor 2	9-228
9.4.17	B040 - front power lift position sensor	9-230
9.4.18	B055 - foot throttle sensor	9-231
9.4.19	B060 - compressed air supply sensor, circuit 1	9-232
9.4.20	B066 - left wheel position sensor	9-235
9.4.21	B067 - steering angle sensor	9-237
9.4.22	B068 - right wheel position sensor	9-241
9.4.23	B071 - output temperature sensor	9-242
9.4.24	B073 - solar sensor (radiated heat)	9-244
9.4.25	B074 - interior temperature sensor	9-245
9.4.26	B076 - Outside temperature sensor	9-247
9.4.27	B078 - hand brake sensor	9-248
9.4.28	B081 - steering wheel sensor (360°)	9-251
9.4.29	B084 - hydraulic oil level sensor	9-253
9.4.30	B085 - camshaft speed sensor	9-255
9.4.31	B086 - rail pressure sensor	9-258
9.4.32	B087 low fuel pressure sensor	9-261
9.4.33	B088 - sensor, crankshaft speed	9-263
9.4.34	B089 engine temperature sensor (Deutz)	9-266
9.4.35	B090 oil pressure sensor	9-269
9.4.36	B091 - water in fuel sensor	9-271
9.4.37	B092 - charge air pressure/temperature sensor	9-272
9.4.38	Guidelines for checking the B102 "immersed tube" fill level sensor for the AdBlue	9-275
9.4.39	B102 - AdBlue temperature/level sensor	9-279
9.4.40	B105 - exhaust gas temperature upstream of SCR sensor	9-282
9.4.41	B145 - rear power lift position sensor	9-284
9.4.42	B191 exhaust gas pressure sensor - upstream of turbo	9-285
9.4.43	B192 - CSF differential pressure sensor	9-286
9.4.44	B193 - exhaust temperature upstream of CSF sensor	9-288
9.4.45	B194 - pressure downstream of CSF sensor	9-290
9.4.46	B217 temperature sensor downstream of venturi	9-291
9.4.47	B218 venturi differential pressure sensor	9-293
9.4.48	B283 - compressed air supply sensor, circuit 2	9-294
9.4.49	B284 - compressed air supply sensor, circuit 1	9-296
9.4.50	B290 - brake pedal lock sensor	9-299
9.5	Measure and test - CAN bus	9-301
9.5.1	CAN BUS	9-301
9.6	Measure and test - E components	9-307

9.6.1	E050 to E280 - work lights	9-307
9.6.2	E216 - AdBlue heater suction and return line, E217 - AdBlue heater pressure line	9-308
9.7	Measure and test - G components	9-310
9.7.1	G001 battery	9-310
9.7.2	G002/G004 - right/left alternators	9-311
9.8	Measure and test - H components	9-314
9.8.1	H005 - warning horn	9-314
9.9	Measure and test - K components	9-315
9.9.1	K063 - Grid heater relay	9-315
9.9.2	K065 starter relay	9-316
9.9.3	K083 AdBlue relay	9-316
9.9.4	K090 AdBlue module heater relay	9-317
9.9.5	K091 AdBlue heating relay for suction and return line	9-318
9.9.6	K092 AdBlue heating relay for pressure line	9-318
9.10	Measure and test - M components	9-319
9.10.1	M001 - starter	9-319
9.10.2	M003/M005 - front/rear screen washer pumps	9-323
9.10.3	M004 - rear wiper motor	9-324
9.10.4	M010 - fuel pump	9-327
9.10.5	M015/M016 actuator motor for ventilation air flap	9-330
9.10.6	M017 - primary fan	9-331
9.10.7	M046/M047 - headlight actuator motor (headlight adjustment)	9-333
9.10.8	M048 - main fan	9-334
9.10.9	M049 - heater valve	9-336
9.10.10	M054 - cooling water pump	9-338
9.10.11	M055 front wiper motor	9-339
9.11	Measure and test - S components	9-341
9.11.1	S005/S006 - right/left brake switch	9-341
9.11.2	S017 filter contamination switch (transmission)	9-342
9.11.3	S019 - left external rear PTO button	9-343
9.11.4	S020 - right external rear PTO button	9-344
9.11.5	S021 / S022 button, raise / lower external front power lift	9-346
9.11.6	S025 - variable displacement pump pressure monitoring switch	9-347
9.11.7	S027/S028/S029/S030 - external rear power lift button	9-349
9.11.8	S034 coolant level switch	9-350
9.11.9	S035 High & low-pressure switch for air conditioning system	9-352
9.11.10	S045 reverse drive switch	9-352
9.11.11	S047 - engine brake switch	9-354
9.11.12	S053 driver seat switch	9-354
9.11.13	S067 / S068 - left-hand external valve actuation button	9-355
9.11.14	S074 starter lockout switch	9-357
9.11.15	S075 - wheel-driven steering pump flow-monitor switch	9-358
9.11.16	S080 - hand brake switch	9-359
9.11.17	S085 reverse drive (RÜFA) actuation switch	9-360
9.11.18	S119 - hydraulic oil filter contamination switch	9-362
9.11.19	S157 - forward/reverse shuttle switch	9-362
9.11.20	S174/175 - right-hand external valve actuation button	9-364
9.12	Measure and test - X components	9-366
9.12.1	X007 - "black" implement socket	9-366
9.12.2	X008 - counter input (onboard computer) "blue"	9-368
9.12.3	X015 - external control socket - External position sensor - rear EPC	9-370
9.12.4	X015 - external control socket - 3rd and 4th hydraulic circuit	9-372
9.12.5	X015 - external control socket - Automatic steering axle mode	9-373
9.12.6	X017 front socket (with front power lift only)	9-376
9.12.7	X018 trailer socket	9-377
9.12.8	X028 cab ISO socket	9-378
9.12.9	X400 ISO BUS PCB (implement socket)	9-379

9.12.10	X1048 ABS socket (anti-lock system on trailer)	9-389
9.12.11	X4407 - Air-conditioning system cable coupling	9-391
9.13	Measure and test - Y components	9-393
9.13.1	Y002 - travel speed range I solenoid valve	9-393
9.13.2	Y003 - travel speed range II solenoid valve	9-394
9.13.3	Y004 clutch/turbo-clutch solenoid valve	9-396
9.13.4	Y005 - speed governor solenoid valve	9-397
9.13.5	Y008 - rear PTO (clutch) solenoid valve	9-399
9.13.6	Y009 - 4WD clutch solenoid valve	9-400
9.13.7	Y010 - differential lock solenoid valve	9-402
9.13.8	Y011 - front PTO clutch solenoid valve	9-403
9.13.9	Y012 suspension loading/oil preheating solenoid valve	9-405
9.13.10	Y021 raise solenoid valve (standard front power lift)	9-406
9.13.11	Y021 - front pressure compensator lock valve	9-408
9.13.12	Y022 - lower front power lift solenoid valve	9-409
9.13.13	Y026/Y027 - rear PTO stage I/II selection solenoid valve	9-411
9.13.14	Y032 - control pressure solenoid valve	9-413
9.13.15	Y055 - rear pressure compensator lock valve	9-415
9.13.16	Y060 - hydraulic oil preheater solenoid valve	9-416
9.13.17	Y062 - rear ground pressure control solenoid valve	9-418
9.13.18	Y063 - wobble stabilizer solenoid valve	9-419
9.13.19	Y064 - Lower the solenoid valve on the suspension	9-421
9.13.20	Y065 - raise suspension solenoid valve	9-422
9.13.21	Y067 - lock suspension solenoid valve	9-424
9.13.22	Y082/Y083 - Lower link stabilizer lock and release solenoid valves	9-425
9.13.23	Y084 - power beyond solenoid valve	9-427
9.13.24	Y087 - VarioGuide steering valve	9-428
9.13.25	Y091 fuel dispensing unit	9-428
9.13.26	Y092/Y093 - reverse drive (RÜFA) rotation solenoid valves	9-430
9.13.27	Y095 to Y098, Y100, Y101 - injectors 1 to 6	9-432
9.13.28	Y120 - AdBlue® metering valve	9-436
9.13.29	Y169 - AdBlue tank heater solenoid valve	9-439
9.13.30	Y170 - exhaust brake solenoid valve	9-440
9.13.31	Y172 - release control solenoid valve	9-442
9.13.32	Y176 - Y185 Spool and control valves	9-443
9.13.33	Y209 - reversible fan (Hägele)	9-445
9.13.34	Y222 - Visco fan (Viscotronic)	9-449
9.14	Measure and test - various components	9-452
9.14.1	Camera	9-452
9.14.2	VarioGuide	9-455
10	08-000 Cab	10-1
10.1	Cab	10-3
10.1.1	Remove the cab	10-3
10.1.2	Attaching the cab	10-13
10.1.3	Remove and replace the cab roof	10-20
10.1.4	Glue in the front windscreen	10-26
10.1.5	Tightening torques of the door furniture	10-31
10.2	RÜFA — reverse drive	10-32
10.2.1	Reverse drive control function and operation	10-32
10.2.2	Remove, install and repair turntable from operator's seat (Rüfa)	10-36
10.2.3	Technical drawing of the turntable (reverse drive)	10-59
10.2.4	Seal the rotary feedthrough	10-65
10.3	Driver seat	10-73
10.3.1	Operator's seat - overview of models	10-73
10.3.2	Operator's seat - compressed air supply	10-74
10.3.3	Super Comfort - controls	10-78

10.3.4	Evolution / Evolution Active - controls	10-80
10.3.5	Evolution Active: Position of the electrical components	10-88
10.3.6	Evolution Active - height and weight adjustment	10-94
10.3.7	Evolution / Evolution Active - seat climate system	10-107
10.3.8	Evolution and Evolution Active - lumbar support	10-111
10.3.9	Evolution Active: Reset to delivery status	10-114
10.3.10	Evolution Active - Adjust the suspension characteristic (mode)	10-115
10.3.11	Evolution Active – Adjust suspension characteristic (mode) using the adjustment wheel	10-117
10.3.12	Evolution Active - seat suspension calibration	10-121
10.3.13	Evolution - Depth and tilt adjustment	10-123
10.3.14	Evolution - left armrest, switch and backrest adjustment	10-133
10.3.15	Evolution - right armrest	10-148
10.3.16	Evolution Active - suspension	10-153
10.4	Air-conditioning system/heating	10-177
10.4.1	Overview	10-177
10.4.2	Advice	10-181
10.4.3	Evacuate and fill	10-182
10.4.4	Maintenance - air conditioning compressor drive belt tension	10-183
10.4.5	Maintenance - Change the dryer module and filter	10-183
10.4.6	Check the functionality and performance	10-184
10.4.7	System pressure monitoring	10-184
10.4.8	Check low pressure / high pressure	10-185
10.4.9	Air conditioning unit service hatch	10-187
10.4.10	Removing the air conditioning unit (HVAC)	10-189
10.4.11	Removing the air box (B071, M015, M016)	10-194
10.4.12	Installing the air box	10-197
11	12-000 Front power lift	11-1
11.1	Front power lift - valves	11-3
11.1.1	Hydraulic valves	11-3
11.1.2	Remove valve	11-4
11.1.3	Install valve	11-9
12	13-000 Rear power lift	12-1
12.1	Electrohydraulic EPC control	12-3
12.1.1	Slip control system	12-3
12.1.2	EPC valves	12-4
12.1.3	Functional plans	12-7
12.1.4	Lower link stabilizer functional plan	12-19
12.1.5	Lower link stabilizer	12-21
12.1.6	Remove EPC valve	12-24
12.1.7	Fit the rear EPC valve	12-27
12.1.8	Dismantle the rear DW pressure limiting valve - Y062	12-32
12.1.9	Fit the rear DW pressure relief valve Y062	12-33
12.1.10	Rear power lift - Seal lift cylinder	12-35
12.2	Three-point linkage - lower link stabilizer	12-40
12.2.1	Lower link stabilizer	12-40
12.2.2	Lower link stabilizer - Y082/Y083	12-43
13	20-000 Service	13-1
13.1	Assembly instructions	13-3
13.1.1	Exhaust brake X990.006.978.000	13-3
13.1.1.1	Overview of parts kit	13-3
13.1.1.2	Engine brake installation	13-4
13.1.2	Reversible fan X990.006.976.000	13-10
13.1.2.1	Overview of parts kit	13-10

13.1.2.2	Mount the reversible fan	13-11
13.1.2.3	Mounting, pneumatic and electrical actuation	13-16
13.1.3	Adjusting the axial play and sealing the double drive shaft X990.006.928.000	13-19
13.1.3.1	Technical drawings: planetary final drive	13-19
13.1.3.2	Adjustment of clearance and sealing of the double joint drive shaft of the planetary final drive	13-23
13.1.3.3	Fitting tool	13-42
13.1.4	Change steering cylinder guide bush X990.006.929.000	13-43
13.1.4.1	Identification of front axle types DANA	13-43
13.1.4.2	Overview of the steering cylinder parts kit for replacing the guide bush	13-44
13.1.4.3	Technical drawings for steering cylinder	13-46
13.1.4.4	Replace steering cylinder guide bush	13-50
13.1.5	Single-line brake X990.006.958.000	13-69
13.1.5.1	General task	13-69
13.1.5.2	Fitting	13-70
13.1.5.3	Check the single-line air brake (1) (1)	13-73
13.1.6	Repair wiring harness X990.006.968.000	13-74
13.1.6.1	Repair the wiring harness (U954.200.300.000)	13-74
13.1.7	Retrofit hands-free device X990.006.945.000	13-86
13.1.7.1	Overview of parts kit	13-86
13.1.7.2	Assembly of the hands-free device	13-87
13.1.7.3	Installation: Vario 800/900	13-92
13.1.8	Rebuild headlight adjustment for LED headlamps X990.006.936.000	13-93
13.1.8.1	Retrofitting the LED headlamp leveling system	13-93
13.1.8.2	Retrofitting the LED headlamp leveling system	13-94
13.1.8.3	Adjust the front headlamps	13-101
13.2	Special tools	13-103
13.2.1	Special tools	13-103

1. 00-000 Entire vehicle system

1.1 General	1-5
1.1.1 Assignment table FENDT T types to the EU Type Approval Number	1-5
1.1.2 Notes on documentation	1-6
1.1.3 Note on hydraulics	1-7
1.1.4 Support points for jack and support stands	1-7
1.2 Safety instructions	1-8
1.2.1 Importance of and position of the safety decals	1-8
1.2.2 Work on the hydraulics	1-20
1.2.3 Working on the front axle suspension	1-20
1.2.4 Work on front/rear loader	1-22
1.2.5 Work on diesel engine and peripherals	1-24
1.2.6 Working on the PTO	1-27
1.3 Tightening requirements	1-28
1.3.1 Spanner sizes for globally standard parts	1-28
1.3.2 Tightening torque for screws with a galvanized surface	1-28
1.3.3 Tightening torque for screws and bolts with VDA coating	1-30
1.3.4 Tightening requirements for threaded plugs	1-30
1.3.5 Tightening requirements of banjo bolts	1-31
1.3.6 Tightening torques for hose clamps	1-32
1.4 Fuels and lubricants	1-34
1.4.1 Biodiesel	1-34
1.4.2 Biodegradable hydraulic oil	1-34
1.5 Technical specification	1-36
1.5.1 Technical specification: Dimensions and weights	1-36
1.5.2 Technical specification: Gearbox	1-40
1.5.3 Technical data: Diesel engine	1-50
1.5.4 Technical specification: Front axle	1-59
1.5.5 Technical data: Steering	1-62
1.5.6 Technical data: Chassis	1-64
1.5.7 Technical data: climate control and heating	1-75
1.5.8 Technical data: Wheels	1-76
1.5.9 Technical data: compressed air system	1-90
1.5.10 Technical data: Cab	1-92
1.5.11 Technical data: Three-point linkage and lift system	1-92
1.5.12 Technical data: Front/rear loader	1-94
1.5.13 Technical data: Electrical system	1-97
1.5.14 Technical data: Hydraulics	1-98
1.6 Fault code tables 800 / 900 Vario S4	2-1
1.6.1 Fault code tables	2-3
1.6.1.1 Confirming, calling up, deleting fault codes	2-3
1.6.1.2 Fault code 00.0.00	2-5
1.6.1.3 Fault code 01.0.00	2-9
1.6.1.4 Error code 02.1.00	2-16
1.6.1.5 Error code 03.1.00	2-18
1.6.1.6 Fault code 04.1.00	2-20
1.6.1.7 Fault code 05.1.00	2-33
1.6.1.8 Fault code 06.1.00	2-38
1.6.1.9 Fault code 07.1.00	2-43
1.6.1.10 Fault code 08.1.00	2-45

1.6.1.11	Fault code 09.1.00	2-51
1.6.1.12	Fault code 0A.1.00	2-56
1.6.1.13	Fault code 0B.1.00	2-75
1.6.1.14	Error code 0D.1.00	2-78
1.6.1.15	Fault code 0E.1.00	2-81
1.6.1.16	Error code 0F.1.00	2-86
1.6.1.17	Fault code 10.1.00	2-90
1.6.1.18	Error code 12.1.00	2-91
1.6.1.19	Fault code 15.1.00	2-99
1.6.1.20	Fault code 17.1.00	2-100
1.6.1.21	Fault code 18.01.00	2-101
1.6.1.22	Fault code 1A.1.00	2-104
1.6.1.23	Fault code 1D.1.00	2-109
1.6.1.24	Fault code 1F.1.00	2-121
1.6.1.25	Error code 20.1.00	2-122
1.6.1.26	Calibration fault codes	2-127
1.7	Component position	1-137
1.7.1	Electrical/electronic components - A	1-137
1.7.2	Electrical/electronic components - B	1-147
1.7.3	Electrical/electronic components - E	1-162
1.7.4	Electrical/electronic components - F	1-173
1.7.5	Electrical/electronic components - G	1-173
1.7.6	Electrical/electronic components - H	1-174
1.7.7	Electrical/electronic components - K	1-176
1.7.8	Electrical/electronic components - M	1-179
1.7.9	Electrical/electronic components - R	1-183
1.7.10	Electrical/electronic components - S	1-184
1.7.11	Electrical/electronic components - U	1-192
1.7.12	Electrical/electronic components - X (0001–1000)	1-193
1.7.13	Electrical/electronic components - X (1001–2000)	1-197
1.7.14	Electrical/electronic components - X (2001–4000)	1-202
1.7.15	Electrical/electronic components - X (4001–6000)	1-203
1.7.16	Electrical/electronic components - Y	1-239
1.7.17	Hydraulic components	1-251
1.8	Calibrations	1-292
1.8.1	Adjustments — General	1-292
1.8.1.1	Calibration notes	1-292
1.8.2	Adjustments — Gearbox	1-292
1.8.2.1	Calibration 4001 clutch pedal	1-292
1.8.2.2	Calibration 4002: Hand throttle	1-295
1.8.2.3	Calibration 4003: Travel range selector	1-298
1.8.2.4	Calibration 4005 driving pedal	1-302
1.8.2.5	Calibration 4007: Transmission ratio characteristic	1-304
1.8.2.6	Calibration 4009: Turbo-clutch function	1-308
1.8.2.7	Calibration 4010 driving pedal resolution	1-312
1.8.3	Adjustments — Sensors and functions	1-315
1.8.3.1	Calibration 1001 crossgate lever	1-315
1.8.3.2	Calibration 1003/1004/1005/1006 Linear modules	1-321
1.8.3.3	Calibration 2401 steering angle sensor	1-325
1.8.3.4	Calibration 2401 - checking the calibration accuracy	1-329
1.8.3.5	Calibration 2403: Steering valve, when required.	1-331
1.8.3.6	Calibration 6034: Rear PTO clutch	1-335
1.8.3.7	Calibration 7034 front PTO clutch	1-338
1.8.3.8	Calibration 7666: Front axle suspension	1-341
1.8.3.9	Calibration 8001 rear EPC - depth control	1-344
1.8.3.10	Calibration 8002: Rear EPC - position control	1-347
1.8.3.11	Calibration 9001 front EPC - depth control	1-351
1.8.3.12	Calibration 9002 front EPC - position control	1-354

1.8.3.13 Heating valve calibration - automatic air-conditioning system	1-357
1.8.3.14 Speed display calibration	1-359
1.9 Calibrations fault code	1-362
1.9.1 Calibration fault code 1001	1-362
1.9.2 Calibration fault code 1003	1-362
1.9.3 Calibration fault code 1004	1-362
1.9.4 Calibration fault code 1005	1-363
1.9.5 Calibration fault code 1006	1-363
1.9.6 Calibration fault code 2401	1-363
1.9.7 Calibration fault code 2403	1-364
1.9.8 Calibration fault code 4001	1-364
1.9.9 Calibration fault code 4002	1-365
1.9.10 Calibration fault code 4003	1-365
1.9.11 Calibration fault code 4005	1-366
1.9.12 Calibration fault code 4007	1-366
1.9.13 Calibration fault code 4009	1-368
1.9.14 Calibration fault code 4010	1-369
1.9.15 Calibration fault code 7666	1-370
1.9.16 Calibration fault code 8001	1-370
1.9.17 Calibration fault code 8020	1-370
1.9.18 Calibration fault code 8021	1-371
1.9.19 Calibration fault code 8022	1-371
1.9.20 Calibration fault code 8023	1-371
1.9.21 Calibration fault code 9001	1-372
1.9.22 Calibration fault code 9002	1-372
1.9.23 Tire circumference calibration fault code	1-372
1.9.24 Heater valve calibration fault code	1-372

1.1 General

1.1.1 Assignment table FENDT T types to the EU Type Approval Number

The EU type approval number consists of the lower case letter "e" followed by the code letter or number of the member state granting the EU type approval. The FENDT T-type designation classifies the relevant series and forms part of the 17-digit vehicle identification number.

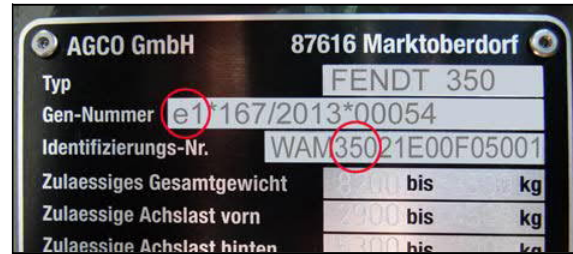


Fig. 1 Exemplary illustration

Series	FENDT 200 Vario V/F/P	FENDT 200 Vario	FENDT 300 Vario
Type approval number	e1*167/2013*00053		e1*167/2013*00054
Chassis numbers	T232	T300	T347
	T233	T301	T348
	T234	T302	T349
	T235	T303	T350
	T236	T304	
	T239		
	T240		
	T241		
	T242		
	T243		
	T251		
	T252		
	T253		

Series	FENDT 500 Vario	FENDT 700 Vario	FENDT 800 Vario
Type approval number	e1*167/2013*00042	e1*167/2013*00049	e1*167/2013*00047
Chassis numbers	T435	T738	T839
	T436	T739	T840
	T437	T740	T841
	T438	T741	T842
		T742	
		T743	

Series	FENDT 900 Vario	FENDT 1000 Vario
Type approval number	e1*167/2013*00056	e1*167/2013*00055
Chassis numbers	T950	T527
	T951	T528
	T952	T529
	T953	T530
	T954	

1.1.2 Notes on documentation

To ensure that the information is structured in a user-friendly manner, the service documentation is divided into the operator's manual and the workshop manual.

The operator's manual includes a general description as well as instructions for all necessary maintenance work.

Knowledge of the owner's manual is essential to understand the workshop manual. This is particularly important for safety instructions. The workshop manual describes repairs to assemblies and components that will require more effort and suitably qualified specialists to carry out.

Note

This workshop manual provides notes for trained technicians to maintain our tractors. Read and observe the information in this documentation. This will help you prevent accidents and safeguard the manufacturer's warranty.

The respective accident prevention rules as well as other generally recognized safety and occupational health rules must be observed.

The tractor is built solely for the purpose defined by the implement manufacturer. Any other type of use is considered unauthorized. The manufacturer bears no liability for any damage resulting from improper use. The user bears this risk alone. Intended use includes maintaining operating, service and maintenance conditions as specified by the manufacturer.

Operation, maintenance and repair of the tractor may only be carried out by people who are familiar with this equipment and aware of the associated dangers. Ensure that this documentation is available to and understood by everyone involved in operation, maintenance and repair. Not observing this documentation can lead to faults, damage and personal injury, for which the manufacturer assumes no liability. The prerequisite for the tractor being correctly serviced and maintained is the perfect condition and availability of all necessary equipment, standard tools and general workshop equipment as well as special tools. Special tools must only be used where absolutely necessary. The tools are displayed where they need to be used in each case.

The machine must be maintained according to its proper use. Always replace parts with genuine FENDT spare parts! When ordering parts, please provide the chassis number as per the most up-to-date spare parts documentation.

Only parts approved by the manufacturer for that specific purpose may be used for any alterations. The manufacturer will not accept liability for any damage resulting from unauthorized modifications to the tractor. Non-compliance invalidates the warranty!

Workshops should also refer to documentation on maintenance work and technical data. Once maintenance is complete, take a test drive to ensure the vehicle's correct operation and road safety.

We reserve the right to make design changes in light of technical developments.

Notes on repairs

The assembly/disassembly instructions shown correspond to the design status at the time the workshop manual was drawn up.



Suggest:

For more complete manuals. Please go to the home page.

<https://www.ebooklibonline.com>

If the above button click is invalid. Please download this document first, and then click the above link to download the complete manual.

Thank you so much for reading

Further technical development of the product and additions related to different versions may require alternative working processes that do not pose too many difficulties to trained and qualified specialists.

These assembly/disassembly instructions shall be invalidated upon issue of the next version of this document.

1.1.3 Note on hydraulics

If work has been carried out on the hydraulic system on the vehicle, in particular the steering, the hydraulic system must be checked in line with the test report.

1.1.4 Support points for jack and support stands

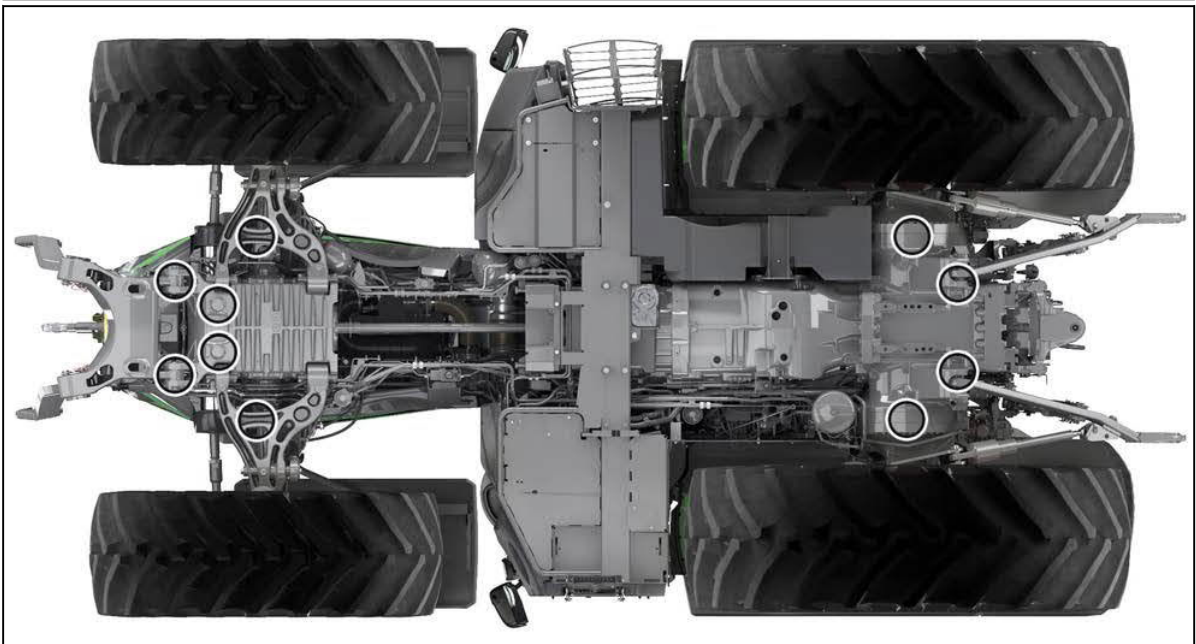


Fig. 2

In addition to the illustrated support points, support stands can also be placed under the rear axle trumpet housings.

Marking on tractor

Some of these suitable support points are marked on the tractor and are also indicated by this decal at the cab entrance.

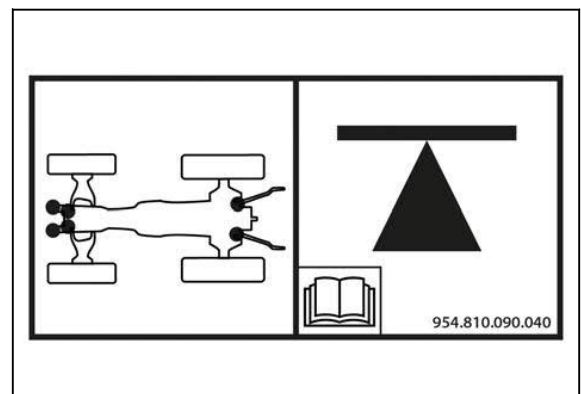


Fig. 3

1.2 Safety instructions

1.2.1 Importance of and position of the safety decals

The position and importance of the safety decals on the vehicle are explained below.

<https://www.ebooklibonline.com>

Hello dear friend!

Thank you very much for reading.

Enter the link into your browser.

The full manual is available for immediate download.

<https://www.ebooklibonline.com>