

WA700-1L S/N A20001-UP
WA700-1L Table of Contents

DESCRIPTION

ENGINE - SAA6D170E-2
ENGINE RELATED PARTS & ELECTRICAL SYSTEM
TORQUE CONVERTER AND TRANSMISSION
DRIVE SHAFT, AXLES WHEELS & BRAKE SYSTEMS
STEERING CONTROL SYSTEM
FRAME, GUARD & SUPERSTRUCTURE
WORK EQUIPMENT CONTROL SYSTEM
WORK EQUIPMENT
MARK PLATES, TOOLS & KITS

WA700-1L S/N A20001-UP
ENGINE RELATED PARTS & ELECTRICAL SYSTEM

DESCRIPTION

ENGINE MOUNTING PARTS

ENGINE RELATED PARTS

ACCELERATOR PEDAL AND LINKAGE (1/3) (ACCELERATOR PEDAL TO SERVO CYLINDER)

RADIATOR (1/2)

RADIATOR (2/2) (AFTER COOLER AND BAFFLE)

RADIATOR COVER

RADIATOR PIPING

OIL COOLER

OIL COOLER AND WATER PIPING

FUEL TANK

BYPASS FILTER (OIL FILTER LINE)

FUEL PIPING

BATTERY AND BATTERY BOX

INSTRUMENT PANEL

ELECTRICAL SYSTEM (CONSOLE BOX, L.H.)

ELECTRICAL SYSTEM (CONSOLE BOX, R.H.)

ELECTRICAL SYSTEM (A.P.S. CONTROLLER)

ELECTRICAL SYSTEM (FRONT LAMP)

ELECTRICAL SYSTEM (FRONT LINE)

ELECTRICAL SYSTEM (FLOOR LINE)

ELECTRICAL SYSTEM (ENGINE LINE) (1/2)

ELECTRICAL SYSTEM (ENGINE LINE) (2/2) (ELECTRIC GOVERNOR)

ELECTRICAL SYSTEM (REAR FRAME LINE)

ELECTRICAL SYSTEM (BATTERY LINE)

ELECTRICAL SYSTEM (REAR LAMP)

MONITOR PANEL

SENSOR (FOR MONITORING SYSTEM)

<https://www.ebooklibonline.com>

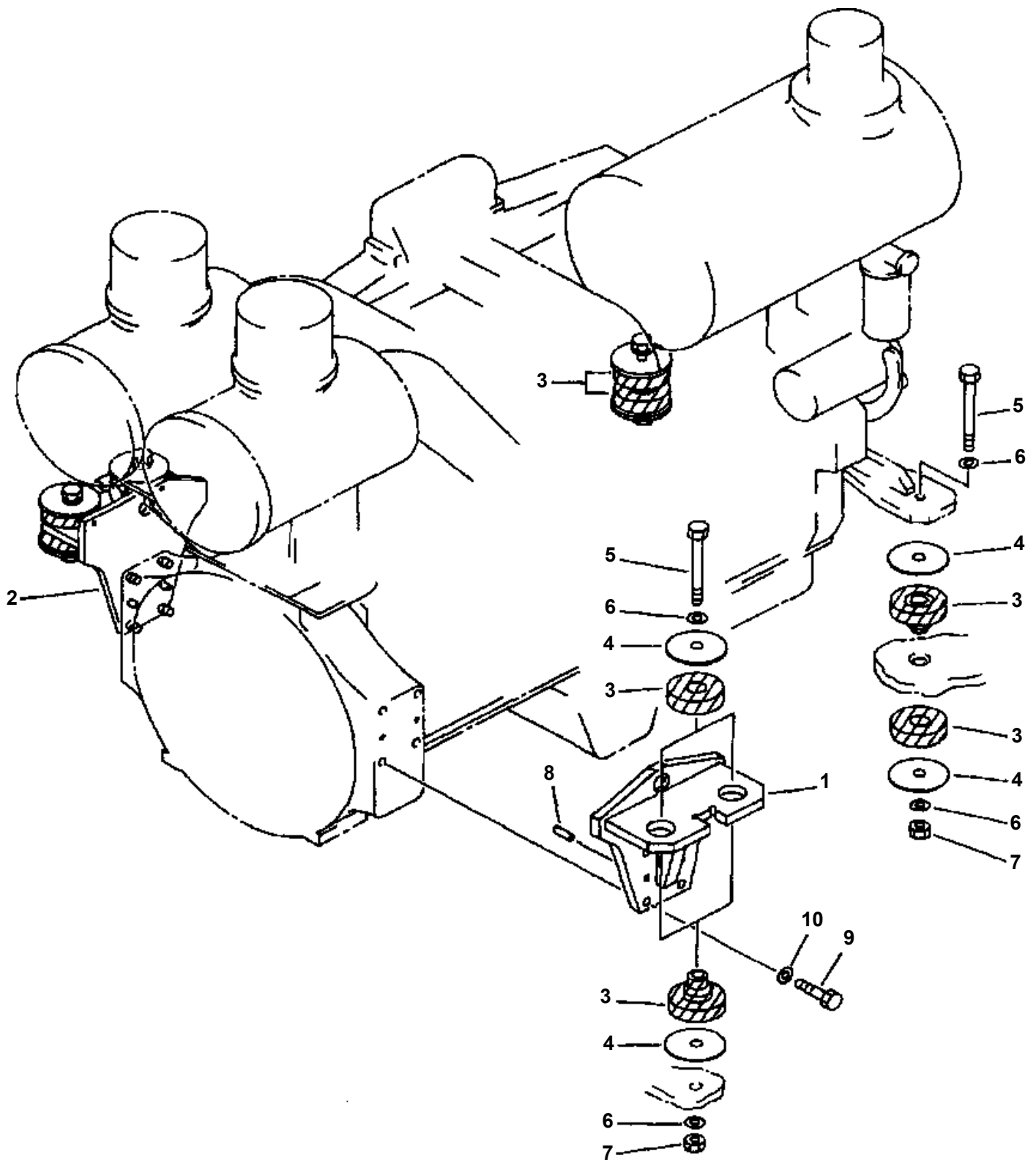
Hello dear friend!

Thank you very much for reading.

Enter the link into your browser.

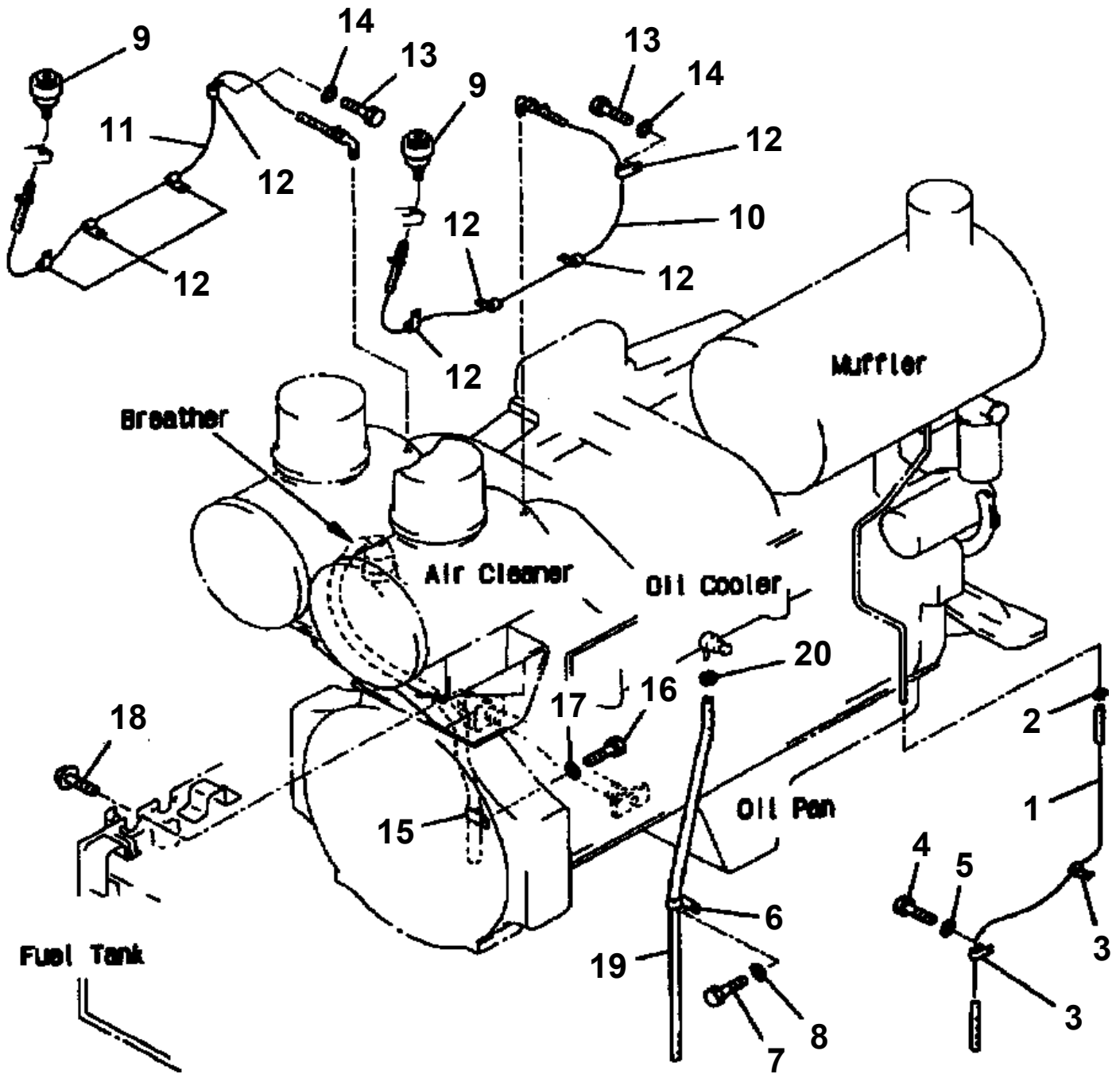
The full manual is available for immediate download.

<https://www.ebooklibonline.com>



**WA700-1L S/N A20001-UP
ENGINE MOUNTING PARTS**

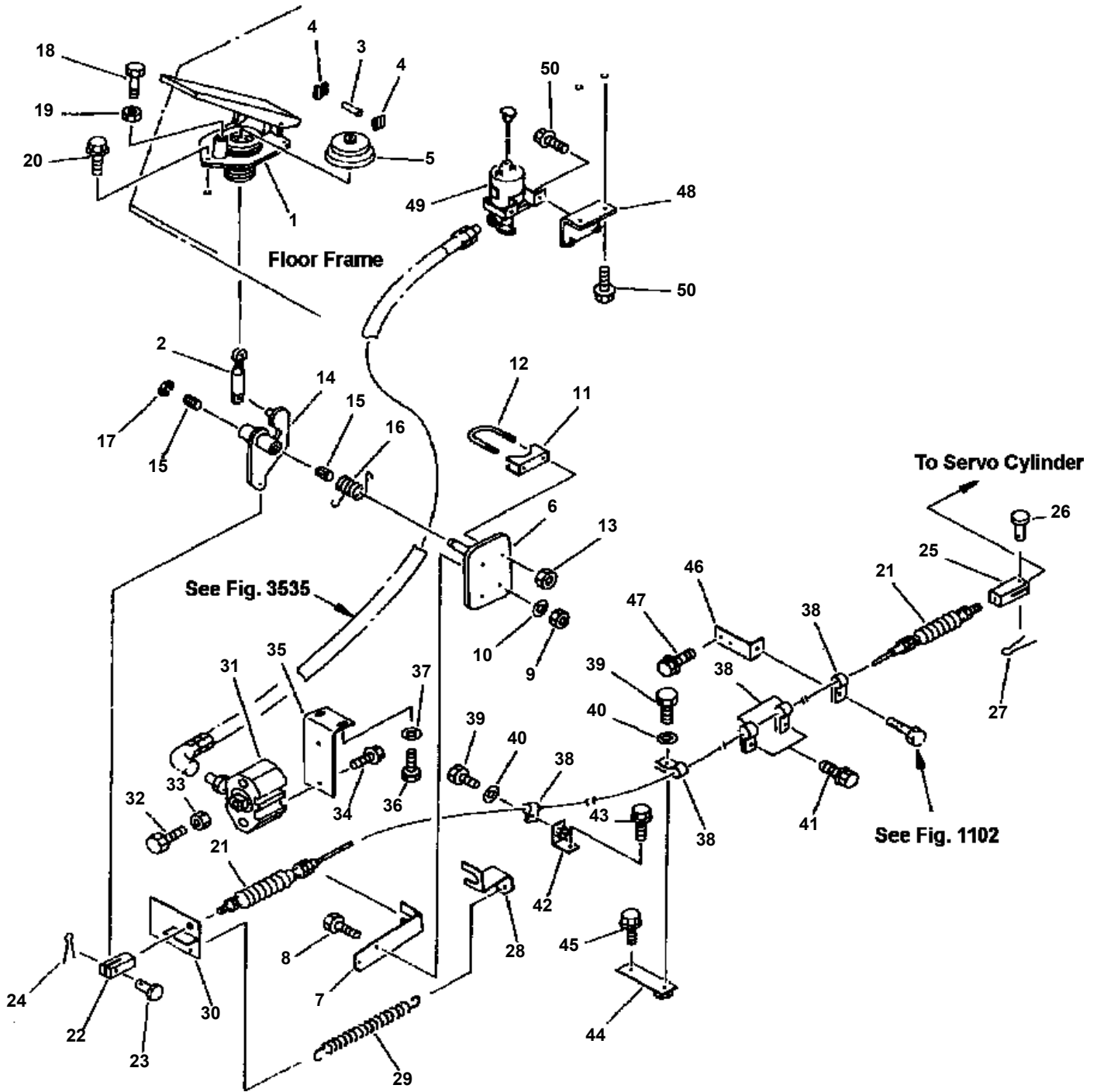
ITEM NO.	PART NO.	DESCRIPTION	Q'TY	REF
1	428-01-11111	BRACKET, L. H	1	10001-
2	428-01-11124	BRACKET, R. H	1	10001-
3	424-01-11310	CUSHION ASS'Y	6	10001-
4	424-01-11220	WASHER	12	10001-
5	01011-62460	BOLT	6	10001-
6	01643-32460	WASHER	12	10001-
7	01596-02419	NUT	6	10001-
8	04020-01434	PIN	4	10001-
9	01016-51850	BOLT	8	10001-
10	01643-31845	WASHER	8	10001-



**WA700-1L S/N A20001-UP
ENGINE RELATED PARTS**

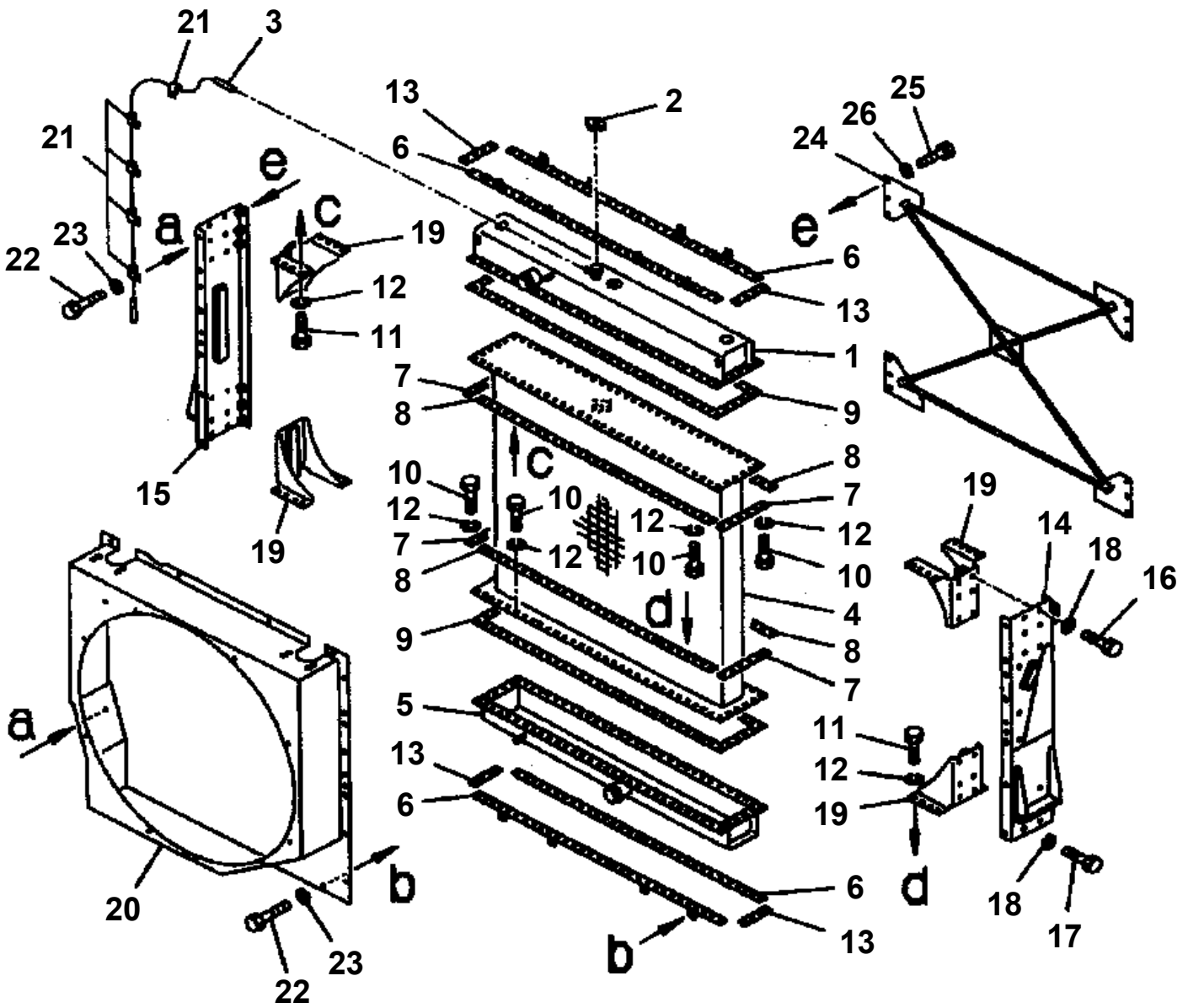
ITEM NO.	PART NO.	DESCRIPTION	Q'TY	REF
1	09483-00312	HOSE	1	15000-
2	07281-00197	CLAMP	1	15000-
3	08036-01814	CLIP	2	15000-
4	01010-81020	BOLT	2	15000-
5	01643-31032	WASHER	2	15000-
6	08036-02514	CLIP	1	15000-
7	01010-81020	BOLT	1	15000-
8	01643-31032	WASHER	1	15000-
9	08670-02001	INDICATOR	2	15000-
10	08671-50170	HOSE	1	15000-
11	08671-50180	HOSE	1	15000-
12	08036-01414	CLIP	8	15000-
13	01010-81016	BOLT	8	15000-
14	01643-31032	WASHER	8	15000-
15	08036-03014	CLIP	2	15000-
16	01010-81016	BOLT	2	15000-
17	01643-31032	WASHER	2	15000-
18	01435-01030	BOLT	2	15000-
19	09483-00514	HOSE	1	15000-
20	07281-00259	CLAMP	1	15000-

ACCELERATOR PEDAL AND LINKAGE (1/3)
(ACCELERATOR PEDAL TO SERVO CYLINDER)



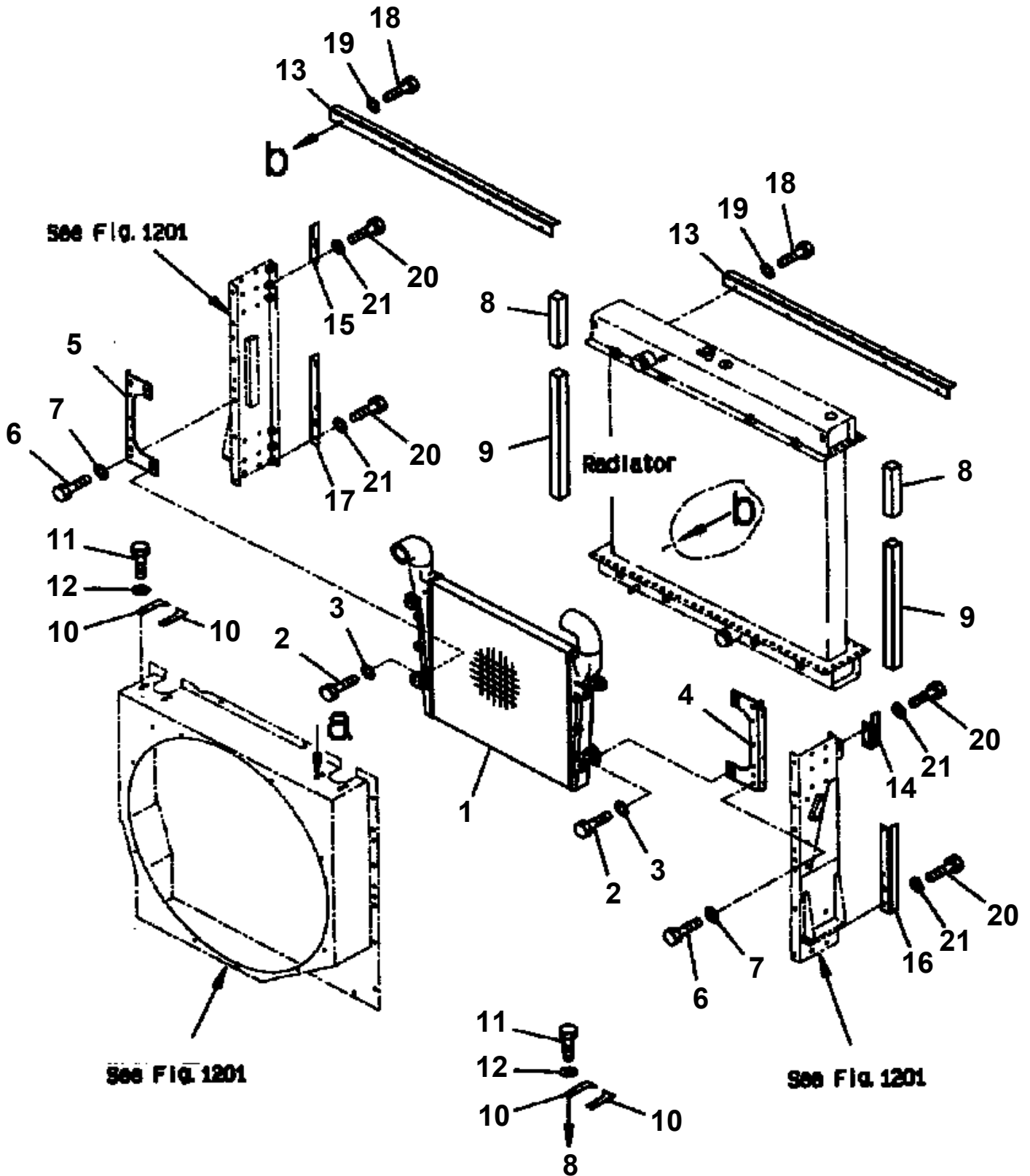
ACCELERATOR PEDAL AND LINKAGE (1/3) (ACCELERATOR PEDAL TO SERVO CYLINDER)

ITEM NO.	PART NO.	DESCRIPTION	Q'TY	REF
	417-43-11200	PEDAL ASS'Y	1	10001-
1	417-43-11210	· PEDAL AND BODY A	1	10001-
2	417-43-11310	· ROD	1	10001-
3	417-43-11320	· PIN	1	10001-
4	417-43-11330	· CLIP	2	10001-
5	417-43-11360	· BOOT	1	10001-
6	417-43-11220	· PLATE	1	10001-
7	417-43-11340	· SUPPORT	1	10001-
8	01010-50616	· BOLT	2	10001-
9	417-43-11350	· NUT	2	10001-
10	01643-30623	· WASHER	1	10001-
11	417-43-11290	· SUPPORT	1	10001-
12	417-43-11270	· U-BOLT	1	10001-
13	417-43-11280	· NUT	2	10001-
14	417-43-11230	· LEVER	1	10001-
15	417-43-11250	· BEARING	2	10001-
16	417-43-11240	· SPRING	1	10001-
17	417-43-11260	· CLIP	1	10001-
18	01010-50860	· BOLT	1	10001-
19	01580-10806	· NUT	1	10001-
20	01435-00620	BOLT	3	10001-
21	428-43-11111	CABLE	1	10001-
22	04210-20624	YOKE	1	10001-
23	04205-10620	PIN	1	10001-
24	04050-11612	PIN, COTTER	1	10001-
25	428-43-11250	YOKE	1	10001-
26	04205-10618	PIN	1	10001-
27	04050-11612	PIN, COTTER	1	10001-
28	428-43-11220	PLATE	1	10001-
29	418-43-18240	SPRING	1	10001-
30	428-43-11230	PLATE	1	10001-
31	427-43-11241	AIR CYLINDER ASS'Y	1	10001-
32	01016-20520	BOLT	1	10001-
33	01580-10504	NUT	1	10001-
34	01435-00616	BOLT	2	10001-
35	428-43-11290	PLATE	1	10001-
36	01010-50616	BOLT	2	10001-
37	01643-30623	WASHER	2	10001-
38	08036-01214	CLIP	5	10001-
39	01010-51016	BOLT	2	10001-
40	01643-31032	WASHER	2	10001-
41	01435-01016	BOLT	2	10001-
42	42A-16-11210	PLATE	1	10001-
43	01435-01016	BOLT	1	10001-
44	419-06-12760	PLATE	1	10001-
45	01435-01016	BOLT	1	10001-
46	428-43-11310	BRACKET	1	10001-
47	01435-01016	BOLT	2	10001-
48	427-43-11291	PLATE	1	10001-
49	425-06-11150	VALVE	1	10001-
50	01435-00816	BOLT	4	10001-



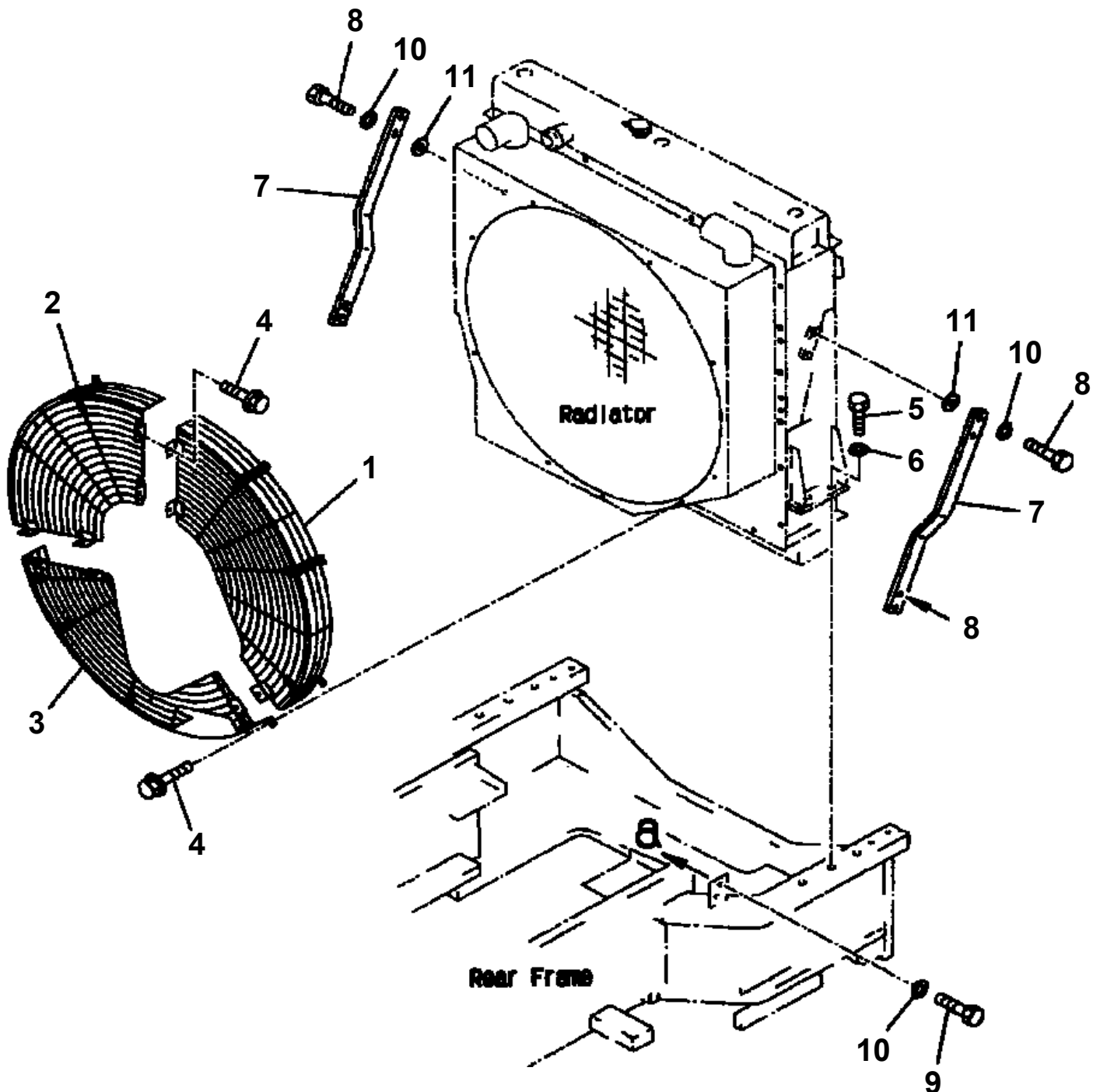
**WA700-1L S/N A20001-UP
RADIATOR (1/2)**

ITEM NO.	PART NO.	DESCRIPTION	Q'TY	REF
	428-03-11401	RADIATOR ASS'Y THIS ASSEMBLY CONSISTS OF ALL PARTS SHOWN IN FIGS. 1201 AND 1202.	1	15000-
1	428-03-11111	· TANK, UPPER	1	15000-
2	421-03-11460	· CAP	1	15000-
3	424-03-11170	· HOSE	1	15000-
4	428-03-11131	· CORE	1	15000-
5	428-03-11121	· TANK, LOWER	1	15000-
6	428-03-11450	· PLATE	4	15000-
7	428-03-11171	· PLATE	4	15000-
8	428-03-11160	· PLATE	4	15000-
9	428-03-11212	· GASKET	2	15000-
10	01010-81030	· BOLT	108	15000-
11	01010-81040	· BOLT	32	15000-
12	01602-21030	· WASHER, SPRING	140	15000-
13	428-03-11310	· PLATE	4	15000-
14	428-03-11222	· SUPPORT, L.H	1	15000-
15	428-03-11232	· SUPPORT, R.H	1	15000-
16	01010-81230	· BOLT	12	15000-
17	01010-81240	· BOLT	12	15000-
18	01643-31232	· WASHER	24	15000-
19	428-03-11181	· BRACKET	4	15000-
20	428-03-11441	· SHROUD	1	15000-
21	419-03-11320	· CLIP	5	15000-
22	01010-81025	· BOLT	20	15000-
23	01643-31032	· WASHER	20	15000-
24	428-03-11270	· STAY, CROSS	1	15000-
25	01010-81230	· BOLT	12	15000-
26	01643-31232	· WASHER	12	15000-



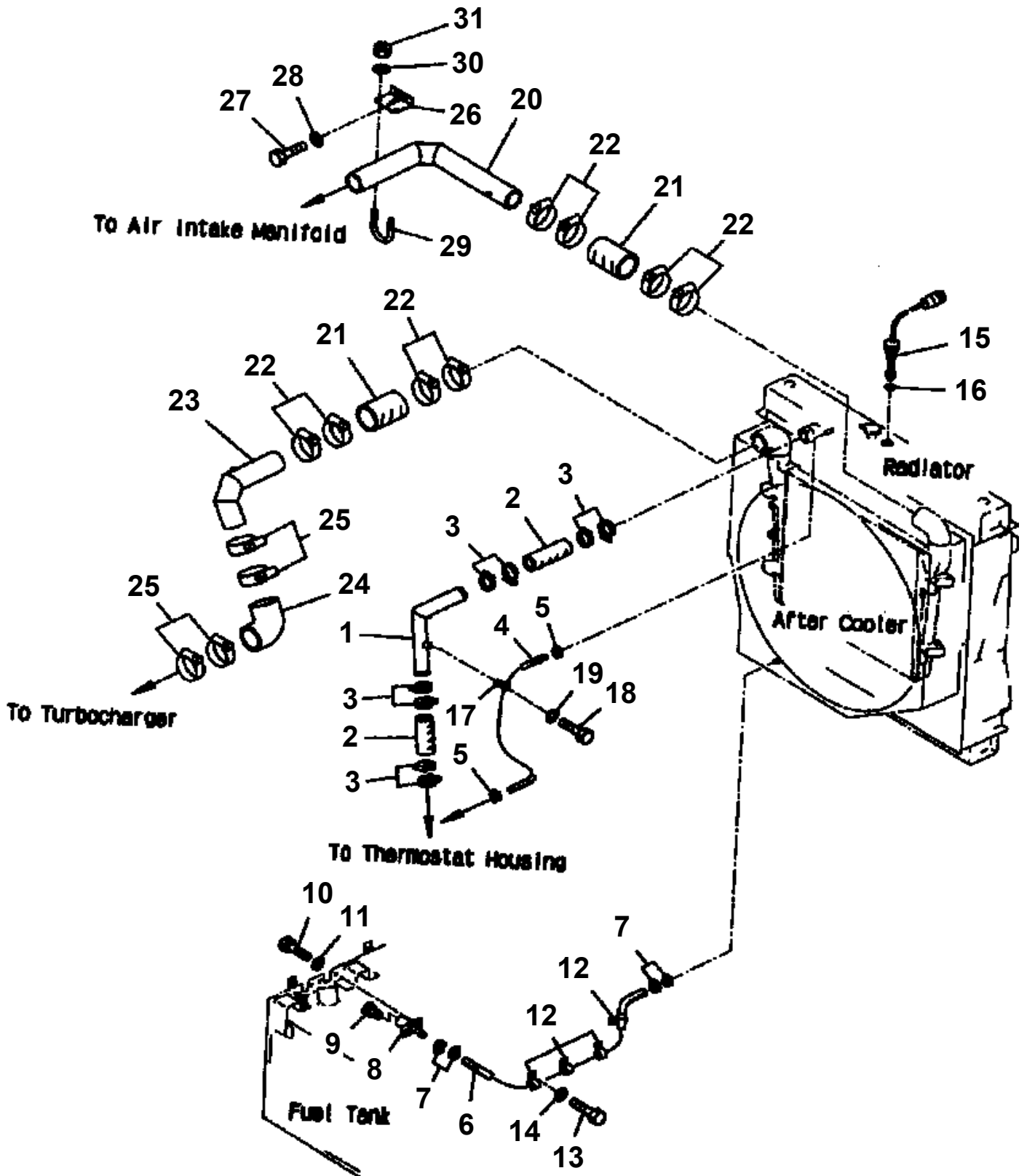
WA700-1L S/N A20001-UP
RADIATOR (2/2) (AFTER COOLER AND BAFFLE)

ITEM NO.	PART NO.	DESCRIPTION	Q'TY	REF
	(428-03-11401)	RADIATOR ASS'Y THIS ASSEMBLY CONSISTS OF ALL PARTS SHOWN IN FIGS. 1201 AND 1202.	1	15000-
1	6162-65-4200	· AFTER COOLER ASS'Y	1	15000-
2	01010-81245	· BOLT	4	15000-
3	01643-31232	· WASHER	4	15000-
4	428-03-11410	· BRACKET, L.H	1	15000-
5	428-03-11420	· BRACKET, R.H	1	15000-
6	01010-81230	· BOLT	12	15000-
7	01643-31232	· WASHER	12	15000-
8	428-03-11240	· PACKING	4	15000-
9	428-03-11250	· PACKING	2	15000-
10	428-03-11430	· PLATE	4	15000-
11	01010-81016	· BOLT	8	15000-
12	01643-31032	· WASHER	8	15000-
13	428-54-13610	BAFFLE	2	15000-
14	428-54-13620	BAFFLE, L.H	1	15000-
15	428-54-13630	BAFFLE, R.H	1	15000-
16	428-54-13640	BAFFLE, L.H	1	15000-
17	428-54-13650	BAFFLE, R.H	1	15000-
18	01010-81020	BOLT	8	15000-
19	01643-31032	WASHER	8	15000-
20	01010-81220	BOLT	10	15000-
21	01643-31232	WASHER	10	15000-



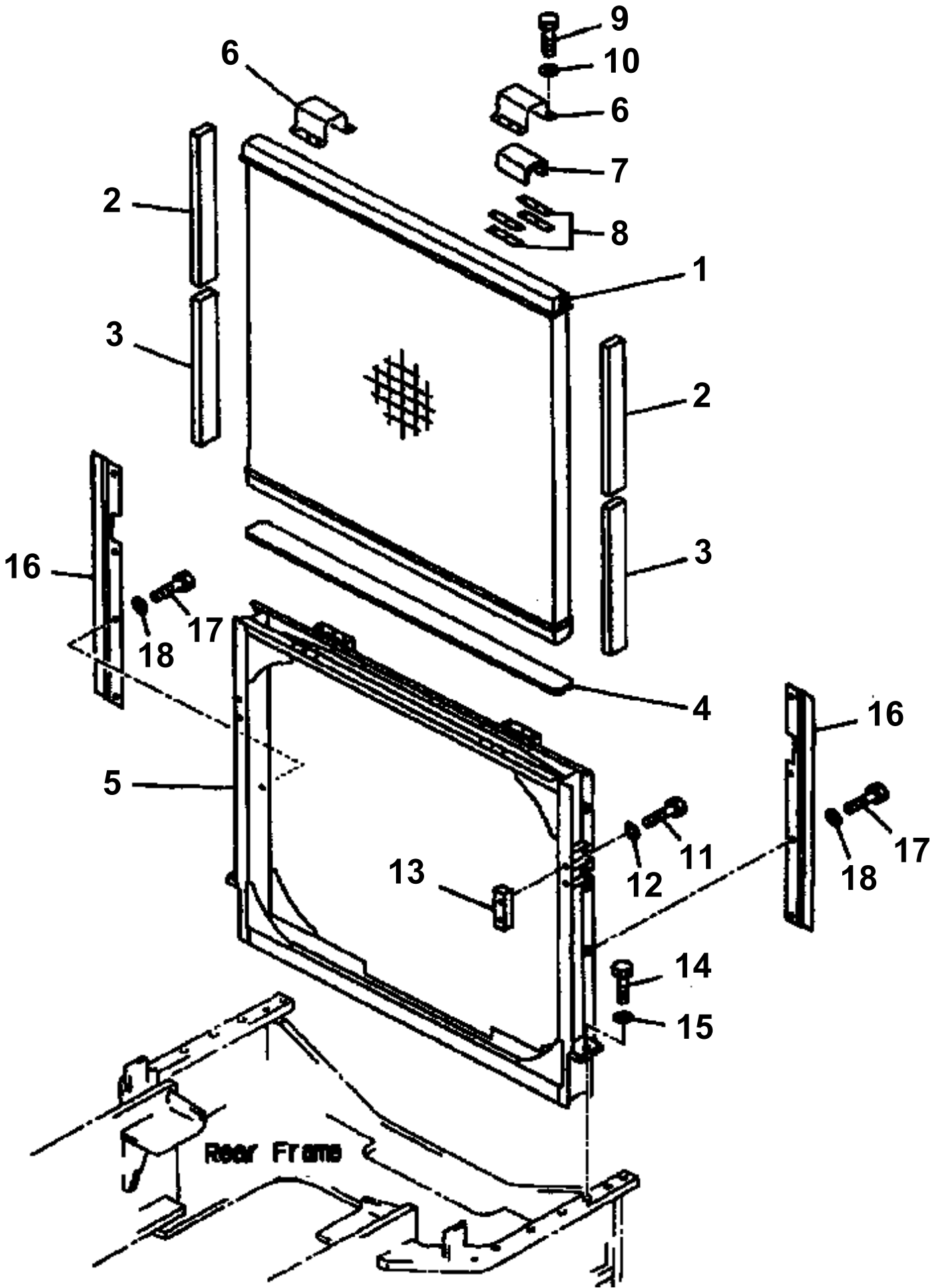
WA700-1L S/N A20001-UP
RADIATOR COVER

ITEM NO.	PART NO.	DESCRIPTION	Q'TY	REF
1	428-03-13161	NET, L.H	1	15000-
2	428-03-13171	NET, R.H	1	15000-
3	428-03-13180	NET, LOWER	1	15000-
4	01435-01225	BOLT	14	15000-
5	01010-62055	BOLT	4	15000-
6	01643-32060	WASHER	4	15000-
7	428-03-13140	SUPPORT	2	15000-
8	01010-61660	BOLT	4	15000-
9	01010-61665	BOLT	4	15000-
10	01643-31645	WASHER	8	15000-
11	421-70-11280	WASHER	4	15000-



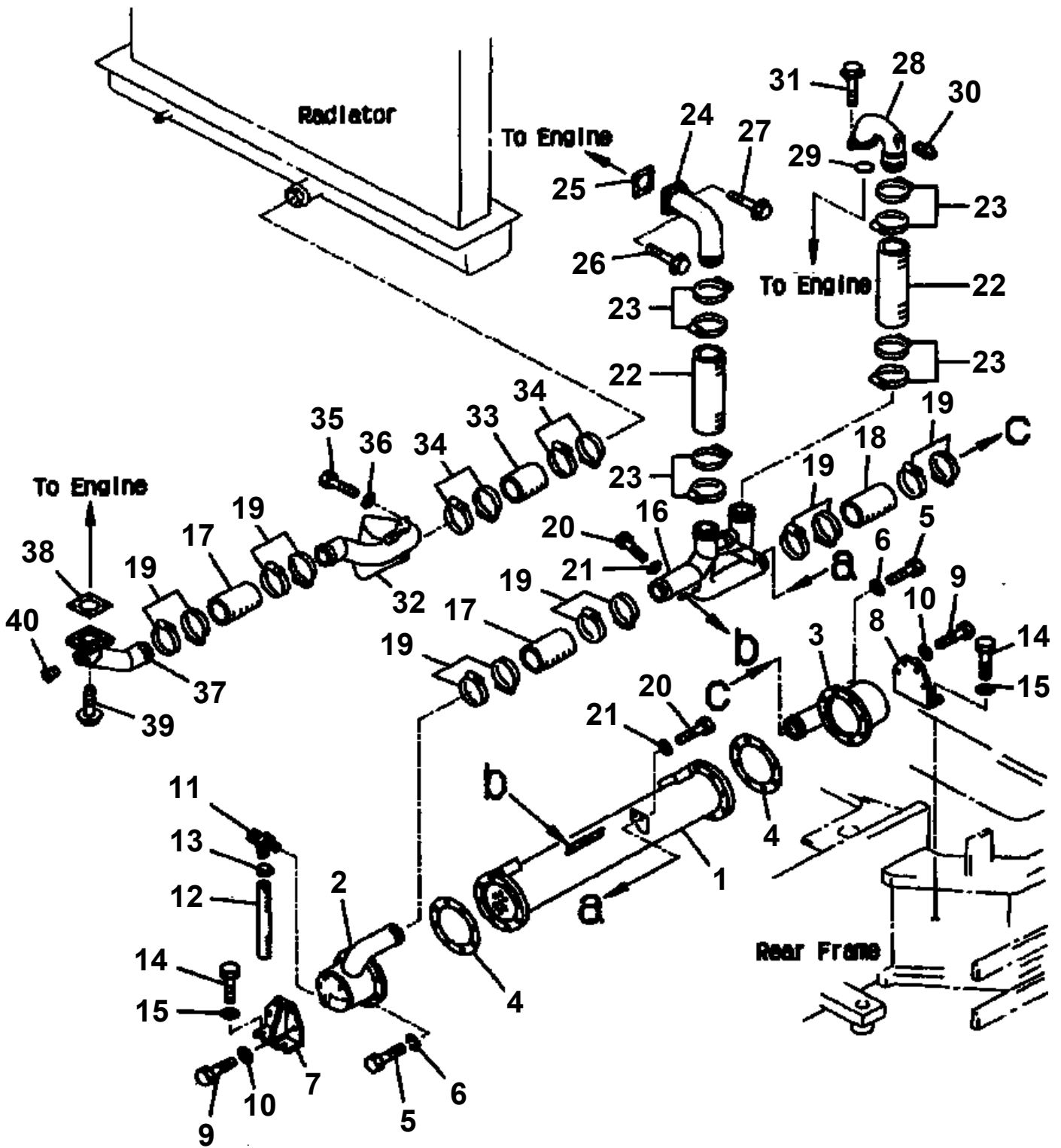
**WA700-1L S/N A20001-UP
RADIATOR PIPING**

ITEM NO.	PART NO.	DESCRIPTION	Q'TY	REF
1	428-03-12440	TUBE	1	15000-
2	07260-27418	HOSE	2	15000-
3	07281-01029	CLAMP	8	15000-
4	09483-40309	HOSE	1	15000-
5	07281-00197	CLAMP	2	15000-
6	27-03-11510	HOSE	1	15000-
7	07281-00359	CLAMP	4	15000-
8	426-01-11231	TUBE	1	15000-
9	424-01-11110	PLUG	1	15000-
10	01010-81030	BOLT	2	15000-
11	01643-31032	WASHER	2	15000-
12	08036-03014	CLIP	4	15000-
13	01010-81020	BOLT	4	15000-
14	01643-31032	WASHER	4	15000-
15	7861-91-4540	SENSOR, RADIATOR WATER LEVEL	1	15000-
16	07002-23634	O-RING	1	15000-
17	08036-61814	CLIP	2	15000-
18	01010-81016	BOLT	2	15000-
19	01643-31032	WASHER	2	15000-
20	428-03-12410	TUBE	1	15000-
21	569-02-6E130	HOSE	2	15000-
22	07289-00120	CLAMP	8	15000-
23	428-03-12420	TUBE	1	15000-
24	569-02-6E140	HOSE	1	15000-
25	07289-00120	CLAMP	4	15000-
26	428-03-12431	PLATE	1	15000-
27	01010-81225	BOLT	2	15000-
28	01643-31232	WASHER	2	15000-
29	07283-31185	CLIP	1	15000-
30	01643-31232	WASHER	2	15000-
31	01599-01214	NUT	2	15000-



**WA700-1L S/N A20001-UP
OIL COOLER**

ITEM NO.	PART NO.	DESCRIPTION	Q'TY	REF
	428-03-15101	OIL COOLER ASS'Y	1	15000-
1	428-03-15111	· CORE ASS'Y	1	15000-
2	428-03-15230	· PACKING	2	15000-
3	428-03-15240	· PACKING	2	15000-
4	428-03-15220	· SEAT, RUBBER	1	15000-
5	428-03-15211	· FRAME	1	15000-
6	428-03-15121	· CLAMP	2	15000-
7	428-03-15320	· SEAT, RUBBER	2	15000-
8	428-03-15130	· SHIM	4	15000-
9	01010-81030	· BOLT	12	15000-
10	01643-31032	· WASHER	12	15000-
11	01010-61275	BOLT	4	15000-
12	01643-31445	WASHER	4	15000-
13	428-03-11460	PLATE	2	15000-
14	01010-62055	BOLT	2	15000-
15	01643-32060	WASHER	2	15000-
16	428-54-11660	BAFFLE	2	15000-
17	01010-81025	BOLT	8	15000-
18	01643-31032	WASHER	8	15000-



**WA700-1L S/N A20001-UP
OIL COOLER AND WATER PIPING**

ITEM NO.	PART NO.	DESCRIPTION	Q'TY	REF
	426-03-11402	OIL COOLER ASS'Y	1	15000-
1	426-03-11610	· ELEMENT	1	15000-
2	426-03-11620	· COVER, L.H	1	15000-
3	426-03-11630	· COVER, R.H	1	15000-
4	426-03-11641	· GASKET	2	15000-
5	01010-81245	· BOLT	16	15000-
6	01602-21236	· WASHER, SPRING	16	15000-
7	426-03-11660	· BRACKET	1	15000-
8	426-03-11650	· BRACKET	1	15000-
9	01010-81235	· BOLT	8	15000-
10	01643-31232	· WASHER	8	15000-
11	6127-61-8411	VALVE ASS'Y, DRAIN	1	15000-
12	09483-40502	HOSE	1	15000-
13	07281-00259	CLAMP	1	15000-
14	01010-81235	BOLT	3	15000-
15	175-54-34170	WASHER	3	15000-
16	428-03-12153	TUBE	1	15000-
17	07260-27422	HOSE	2	15000-
18	07260-27432	HOSE	1	15000-
19	07281-01029	CLAMP	12	15000-
20	01010-81235	BOLT	4	15000-
21	01643-31232	WASHER	4	15000-
22	07260-27428	HOSE	2	15000-
23	07281-01029	CLAMP	8	15000-
24	426-03-11332	TUBE	1	15000-
25	6162-63-2161	GASKET	1	15000-
26	01435-01035	BOLT	2	15000-
27	01435-01060	BOLT	2	15000-
28	426-03-11491	ELBOW	1	15000-
29	07000-12075	O-RING	1	15000-
30	07042-20108	PLUG	1	15000-
31	01435-01235	BOLT	2	15000-
32	428-03-12161	TUBE	1	15000-
33	07260-27422	HOSE	1	15000-
34	07281-01029	CLAMP	4	15000-
35	01010-81225	BOLT	2	15000-
36	01643-31232	WASHER	2	15000-
37	428-03-1214	TUBE	1	15000-
38	6693-62-9242	GASKET	1	15000-
39	01435-01030	BOLT	4	15000-
40	07043-70415	PLUG, (WITHOUT AIR CONDITIONER OR HEATER)	1	15000-

**WA700-1L S/N A20001-UP
FUEL TANK**

ITEM NO.	PART NO.	DESCRIPTION	Q'TY	REF
1	428-04-11330	TANK, FUEL	1	15000-
2	428-04-11150	PLUG	1	15000-
3	421-04-11260	CAP	1	15000-
	07050-21202	· GASKET	1	15000-
4	07056-18416	STRAINER	1	15000-
5	421-60-11622	GAUGE, SIGHT	1	15000-
6	07002-15234	O-RING	1	15000-
7	426-04-11210	HANDLE	1	15000-
8	01643-30623	WASHER	1	15000-
9	01580-10605	NUT	1	15000-
10	428-04-11151	ROD	1	15000-
11	416-04-10131	VALVE	1	15000-
12	428-04-11160	PLATE	1	15000-
13	01010-81225	BOLT	2	15000-
14	01643-31232	WASHER	2	15000-
15	04050-12018	PIN, COTTER	1	15000-
16	01643-51032	WASHER	1	15000-
17	419-04-11120	COVER	1	15000-
18	01435-00816	BOLT	2	15000-
19	428-04-11180	COVER	1	15000-
20	428-04-11120	COVER	1	15000-
21	07000-15200	O-RING	2	15000-
22	01435-01025	BOLT	12	15000-
23	07214-71013	CONNECTOR	1	15000-
24	428-04-11171	TUBE	1	15000-
25	424-04-11120	CLIP	3	15000-
26	01435-01016	BOLT	3	15000-
27	07270-21020	TUBE	1	15000-
28	07280-01620	CLAMP	1	15000-
29	7861-91-4891	SENSOR, FUEL LEVEL	1	15000-
30	07000-12085	O-RING	1	15000-
31	01435-01016	BOLT	4	15000-
32	362-43-18780	CLIP	3	15000-
33	01435-01016	BOLT	3	15000-
34	08052-01711	CLIP	1	15000-
35	01220-40608	SCREW	1	15000-
36	01641-20608	WASHER	1	15000-
37	416-855-1190	SHIM, 0.5MM	10	15000-
38	01010-63080	BOLT	2	15000-
39	01011-63025	BOLT	4	15000-
40	01643-33080	WASHER	6	15000-



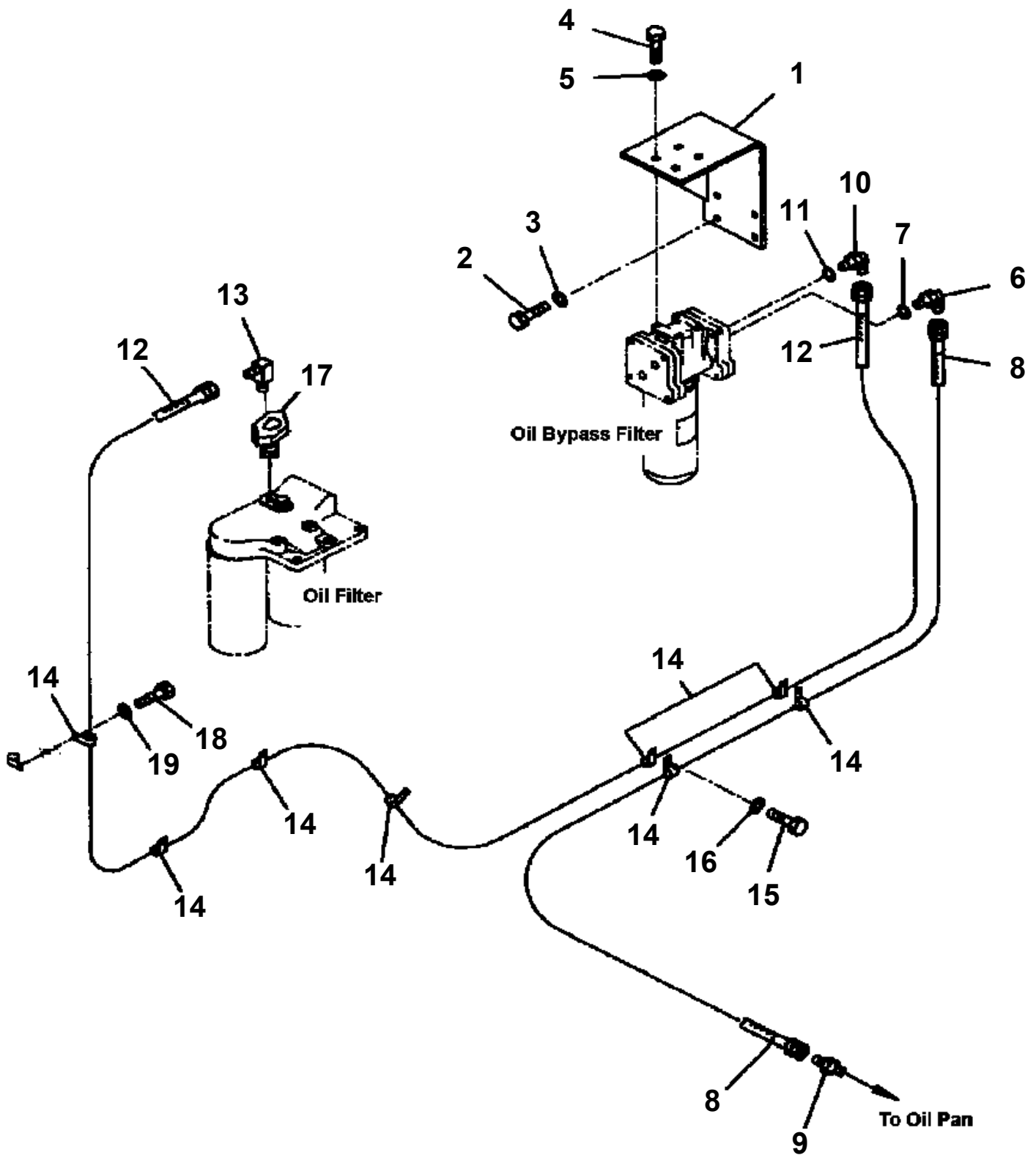
Suggest:

For more complete manuals. Please go to the home page.

<https://www.ebooklibonline.com>

If the above button click is invalid. Please download this document first, and then click the above link to download the complete manual.

Thank you so much for reading



**WA700-1L S/N A20001-UP
BYPASS FILTER (OIL FILTER LINE)**

ITEM NO.	PART NO.	DESCRIPTION	Q'TY	REF
1	428-01-11660	PLATE	1	15000-
2	01010-81035	BOLT	4	15000-
3	01643-31032	WASHER	4	15000-
4	01010-81030	BOLT	4	15000-
5	01643-31032	WASHER	4	15000-
6	07235-10315	ELBOW	1	15000-
7	07002-32034	O-RING	1	15000-
8	07102-20312	HOSE	1	15000-
9	07238-00315	CONNECTOR	1	15000-
10	07235-10315	ELBOW	1	15000-
11	07002-32034	O-RING	1	15000-
12	07102-20325	HOSE	1	15000-
13	195-78-22570	ELBOW	1	15000-
14	04434-52210	CLIP	8	15000-
15	01010-81020	BOLT	5	15000-
16	01643-31032	WASHER	5	15000-
17	07326-30201	ADAPTER	1	15000-
18	01010-81025	BOLT	1	15000-
19	01643-31032	WASHER	1	15000-

<https://www.ebooklibonline.com>

Hello dear friend!

Thank you very much for reading.

Enter the link into your browser.

The full manual is available for immediate download.

<https://www.ebooklibonline.com>