

**WA700-1 S/N 10001-UP (Overseas Version)**

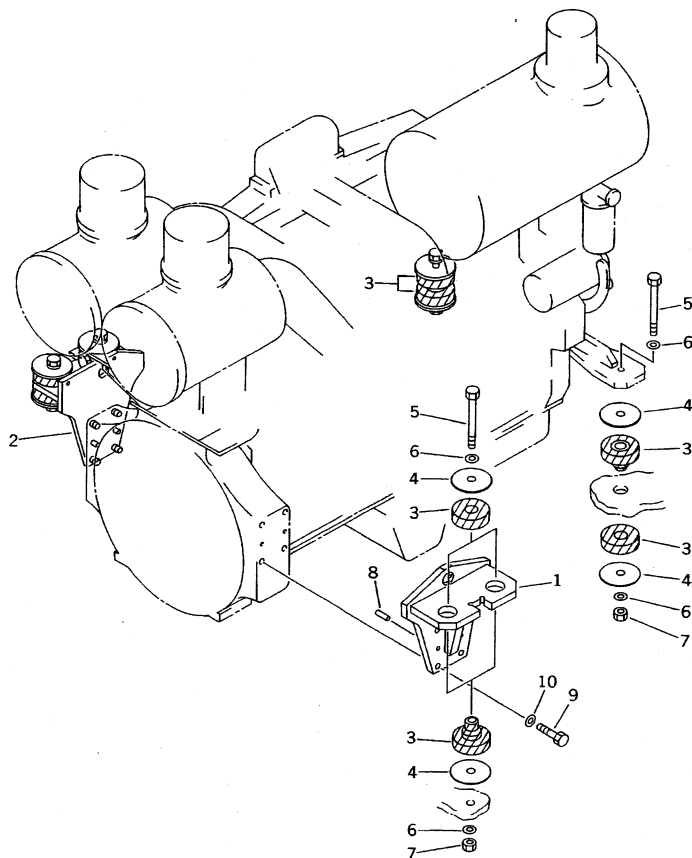
**WA700-1 S/N 10001-UP**

---

Item	Part Name
	SA6D170-A-1Q-7 S/N 10001-UP
10	ENGINE RELATED PARTS AND ELECTRICAL SYSTEM
20	TORQUE CONVERTER AND TRANSMISSION
30	DRIVE SHAFT?DIFFERENTIAL AND WHEELS
40	STEERING AND CONTROL SYSTEMS
50	FRAME AND GUARD
60	WORK EQUIPMENT CONTROL SYSTEM
70	WORK EQUIPMENT
90	MARK PLATE?TOOL AND KIT

**WA700-1 S/N 10001-UP (Overseas Version)**  
**ENGINE RELATED PARTS AND ELECTRICAL SYSTEM**

Item	Part Name	Qty
10	ENGINE MOUNTING PARTS	1
20	ENGINE RERATED PARTS	1
30	EXTENSION PRE-CLEANER (SANDY AND DUSTY TEERAIN SPEC.)	1
40	ACCELERATOR PEDAL AND LINKAGE (1/3) (ACCELERATOR PEDAL TO SERVO CYLINDER)	1
50	ACCELERATOR PEDAL AND LINKAGE (2/3) (SERVO CYLINDER PIPING)	1
60	ACCELERATOR PEDAL AND LINKAGE (3/3) (SERVO CYLINDER TO FUEL INJECTION PUMP LEVER)	1
70	MECHANICAL ENGINE STOP SYSTEM (1/3) (CAB SIDE CONTROL CABLE)	1
80	MECHANICAL ENGINE STOP SYSTEM (2/3) (OUTER SIDE CONTROL CABLE)	1
90	MECHANICAL ENGINE STOP SYSTEM (3/3) (ENGINE STOP MOTOR CONTROL CABLE)	1
100	RADIATOR	1
110	RADIATOR COVER	1
120	RADIATOR PIPING	1
130	OIL COOLER	1
140	OIL COOLER AND WATER PIPING	1
150	FUEL TANK(#10001-10044)	1
160	FUEL TANK(#10045-)	1
170	FUEL PIPING	1
180	BATTERY AND BATTERY BOX	1
190	INSTRUMENT PANEL	1
200	INSTRUMENT PANEL (FOR SIDE WORK LAMP) (WITH ROPS)	1
210	ELECTRICAL SYSTEM (CONSOLE BOX?L.H.)	1
220	ELECTRICAL SYSTEM (CONSOLE BOX?R.H.)	1
230	ELECTRICAL SYSTEM (CONSOLE BOX?R.H.) (FOR JOY STICK STEERING)	1
240	ELECTRICAL SYSTEM (A.P.S. CONTROLLER)(#10001-10091)	1
250	ELECTRICAL SYSTEM (A.P.S. CONTROLLER)(#10092-)	1
260	ELECTRICAL SYSTEM (A.P.S. ASSISTER SERVICE PARTS)(#10001-10092)	1
270	ELECTRICAL SYSTEM (FRONT LAMP)	1
280	ELECTRICAL SYSTEM (FRONT LAMP) (FOR ADDITIONAL HEAD LAMP)	1
290	ELECTRICAL SYSTEM (FRONT LINE)	1
300	ELECTRICAL SYSTEM (FRONT LINE) (FOR ADDITIONAL HEAD LAMP)	1
310	ELECTRICAL SYSTEM (FLOOR LINE)	1
320	ELECTRICAL SYSTEM (ENGINE LINE)	1
330	ELECTRICAL SYSTEM (REAR FRAME LINE)	1
340	ELECTRICAL SYSTEM (BATTERY LINE)	1
350	ELECTRICAL SYSTEM (REAR LAMP)	1
360	ELECTRICAL SYSTEM (REAR WORK LAMP)	1
370	ELECTRICAL SYSTEM (SIDE WORK LAMP) (WITH ROPS)	1
380	ELECTRICAL SYSTEM (FOR JOY STICK STEERING) (1/2)	1
390	ELECTRICAL SYSTEM (FOR JOY STICK STEERING) (2/2)	1
400	MONITOR PANEL	1
410	SENSOR (FOR MONITORING SYSEM)	1
420	LOAD METER (1/2) (CONTROL BOX)	1
430	LOAD METER (2/2) (ELECTRICAL SYSTEM)	1
440	PM CLINIC	1



WA700-1 S/N 10001-UP (Overseas Version)

**ENGINE MOUNTING PARTS**

Item	Part No.	Part Name	Qty	Serial No.
1	428-01-11111	BRACKET,L.H.	1	10001-
2	428-01-11124	BRACKET,R.H.	1	10001-
3	424-01-11310	CUSHION ASS'Y	6	10001-
4	424-01-11220	WASHER	12	10001-
5	01011-62460	BOLT	6	10001-
6	01643-32460	WASHER	12	10001-
7	01596-02419	NUT	6	10001-
8	04020-01434	PIN	4	10001-
9	01016-51850	BOLT	8	10001-
10	01643-31845	WASHER	8	10001-

**<https://www.ebooklibonline.com>**

Hello dear friend!

Thank you very much for reading.

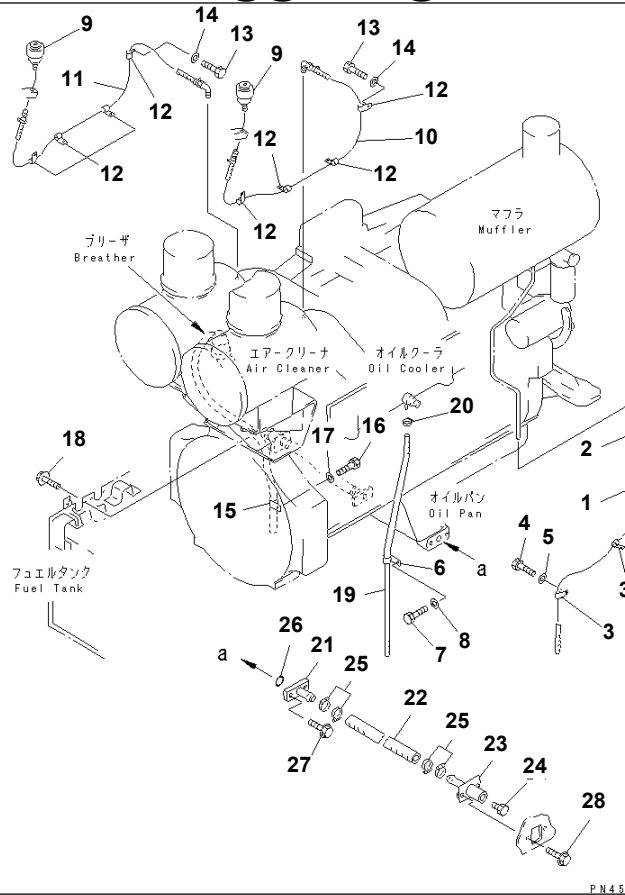
Enter the link into your browser.

The full manual is available for immediate download.

**<https://www.ebooklibonline.com>**

WA700-1 S/N 10001-UP (Overseas Version)

@@45107@



Ref. 1011

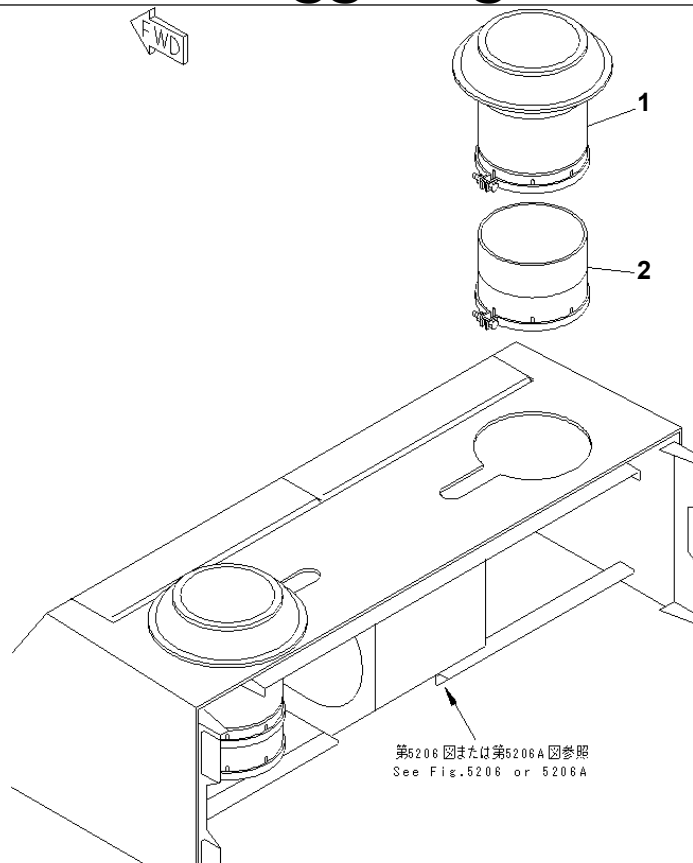
Page 030020

WA700-1 S/N 10001-UP (Overseas Version)  
ENGINE RELATED PARTS

Item	Part No.	Part Name	Qty	Serial No.
1	09483-00312	HOSE	1	10001-
2	07281-00197	CLAMP	1	10001-
3	08036-01814	CLIP	2	10001-
4	01010-81020	BOLT	2	10001-
5	01643-31032	WASHER	2	10001-
6	08036-02514	CLIP	1	10001-
7	01010-81020	BOLT	1	10001-
8	01643-31032	WASHER	1	10001-
9	08670-02001	INDICATOR	2	10001-
10	08671-50170	HOSE	1	10001-
11	08671-50180	HOSE	1	10001-
12	08036-01414	CLIP	8	10001-
13	01010-81016	BOLT	8	10001-
14	01643-31032	WASHER	8	10001-
15	08036-03014	CLIP	2	10001-
16	01010-81016	BOLT	2	10001-
17	01643-31032	WASHER	2	10001-
18	01435-01030	BOLT	2	10001-
19	09483-00514	HOSE	1	10001-
20	07281-00259	CLAMP	1	10001-
21	426-01-11211	TUBE	1	10001-
22	428-01-11150	HOSE	1	10001-
23	426-01-11231	TUBE	1	10001-
24	424-01-11110	PLUG	1	10001-
25	07281-00359	CLAMP	4	10001-
26	07000-13025	O-RING	1	10001-
27	01435-01025	BOLT	2	10001-
28	01435-01030	BOLT	2	10001-

WA700-1 S/N 10001-UP (Overseas Version)

@@E1249@



PME1248

Ref. 1061

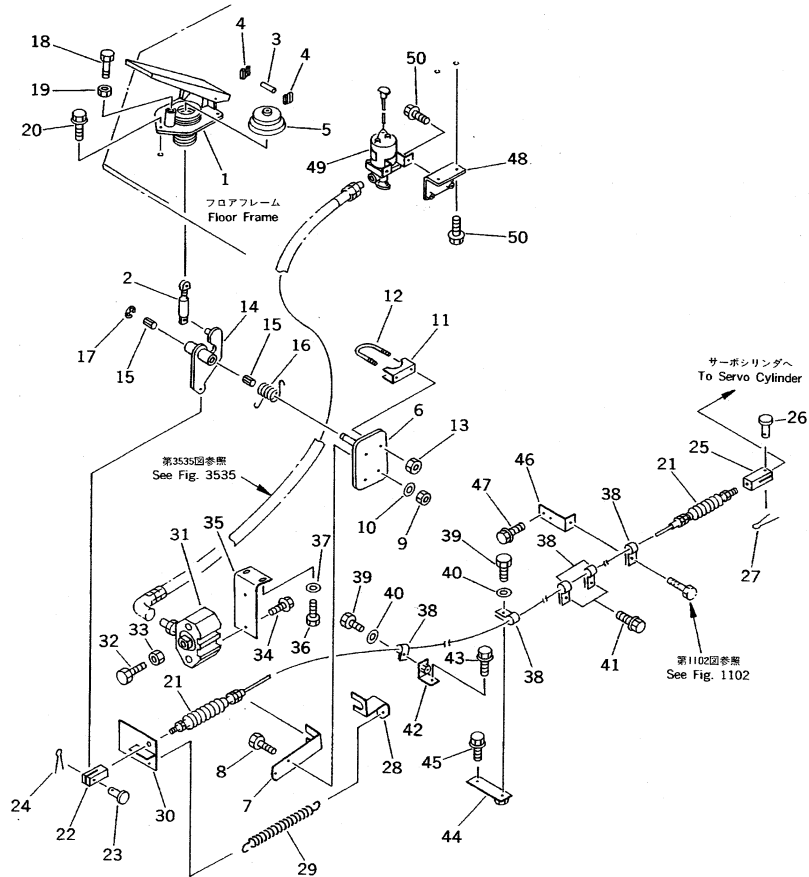
Page 030030

WA700-1 S/N 10001-UP (Overseas Version)  
**EXTENSION PRE-CLEANER (SANDY AND DUSTY TEERAIN SPEC.)**

Item	Part No.	Part Name	Qty	Serial No.
1	600-181-4950	HOOD	2	10001-
2	600-181-5710	PRE-CLEANER ASS'Y	2	10001-

WA700-1 S/N 10001-UP (Overseas Version)

@@45108@



Ref. 1101

Page 030040

WA700-1 S/N 10001-UP (Overseas Version)  
**ACCELERATOR PEDAL AND LINKAGE (1/3) (ACCELERATOR PEDAL TO SERVO CYLINDER)**

Item	Part No.	Part Name	Qty	Serial No.
1	421-43-11310	PEDAL ASS'Y	1	-
	◆417-43-11200	PEDAL ASS'Y	1	10001-
	417-43-11210	・ PEDAL AND BODY A.	1	10001-
2	417-43-11310	・ ROD	1	10001-
3	417-43-11320	・ PIN	1	10001-
4	417-43-11330	・ CLIP	2	10001-
5	417-43-11360	・ BOOT	1	10001-
6	417-43-11220	・ PLATE	1	10001-
7	417-43-11340	・ SUPPORT	1	10001-
8	01010-80616	・ BOLT	2	10001-
9	417-43-11350	・ NUT	2	10001-
10	01643-30623	・ WASHER	1	10001-
11	417-43-11290	・ SUPPORT	1	10001-
12	417-43-11270	・ U-BOLT	1	10001-
13	417-43-11280	・ NUT	2	10001-
14	417-43-11230	・ LEVER	1	10001-
15	417-43-11250	・ BEARING	2	10001-
16	417-43-11240	・ SPRING	1	10001-
17	417-43-11260	・ CLIP	1	10001-
18	01010-80860	・ BOLT	1	10001-
19	01580-10806	・ NUT	1	10001-
20	01435-00620	BOLT	3	10001-
21	428-43-11111	CABLE	1	10001-
22	04210-20624	YOKE	1	10001-
23	04205-10620	PIN	1	10001-
24	04050-11612	PIN,COTTER	1	10001-
25	428-43-11250	YOKE	1	10001-
26	04205-10618	PIN	1	10001-

Reference:1101

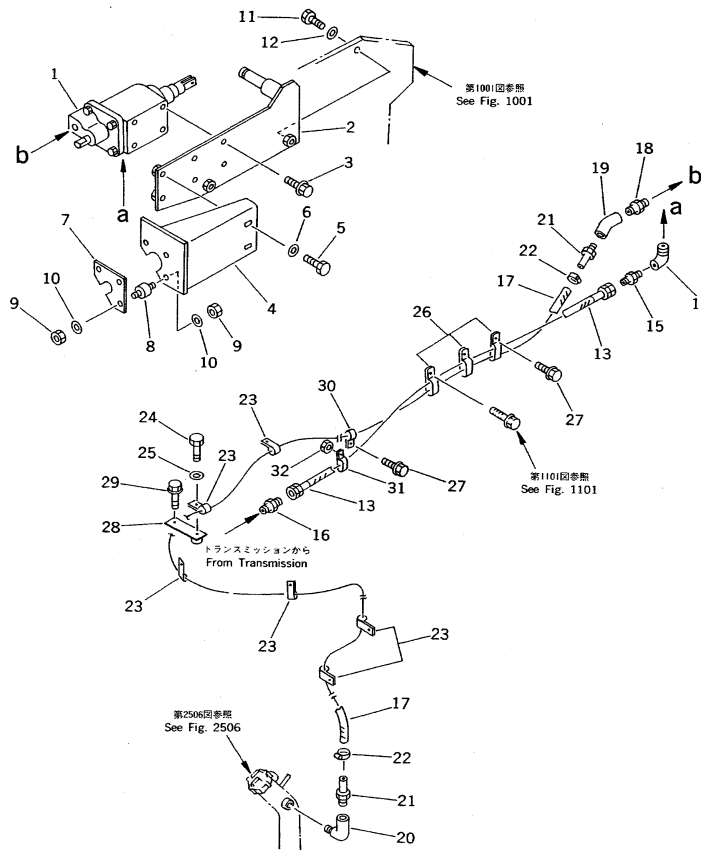
Page:030040

**WA700-1 S/N 10001-UP (Overseas Version)**  
**ACCELERATOR PEDAL AND LINKAGE (1/3) (ACCELERATOR PEDAL TO  
SERVO CYLINDER)**

Item	Part No.	Part Name	Qty	Serial No.
27	04050-11612	PIN,COTTER	1	10001-
28	428-43-11220	PLATE	1	10001-
29	418-43-18240	SPRING	1	10001-
30	428-43-11230	PLATE	1	10001-
31	427-43-11241	AIR CYLINDER ASS'Y	1	10001-
32	01016-20520	BOLT	1	10001-
33	01580-60504	NUT	1	10001-
34	01435-00616	BOLT	2	10001-
35	428-43-11290	PLATE	1	10001-
36	01010-80616	BOLT	2	10001-
37	01643-30623	WASHER	2	10001-
38	08036-01214	CLIP	5	10001-
39	01010-81016	BOLT	2	10001-
40	01643-31032	WASHER	2	10001-
41	01435-01016	BOLT	2	10001-
42	42A-16-11210	PLATE	1	10001-
43	01435-01016	BOLT	1	10001-
44	419-06-12760	PLATE	1	10001-
45	01435-01016	BOLT	1	10001-
46	428-43-11310	BRACKET	1	10001-
47	01435-01016	BOLT	2	10001-
48	427-43-11291	PLATE	1	10001-
49	425-06-11150	VALVE	1	10001-
50	01435-00816	BOLT	4	10001-

WA700-1 S/N 10001-UP (Overseas Version)

@@45109@



Ref. 1102

Page 030050

WA700-1 S/N 10001-UP (Overseas Version)  
ACCELERATOR PEDAL AND LINKAGE (2/3) (SERVO CYLINDER PIPING)

Item	Part No.	Part Name	Qty	Serial No.
1	6164-71-7542	CYLINDER ASS'Y	1	10001-
2	428-43-11171	BRACKET	1	10001-
3	01435-01020	BOLT	4	10001-
4	428-43-11240	BRACKET	1	10001-
5	01010-81025	BOLT	2	10001-
6	01643-31032	WASHER	2	10001-
7	421-43-11261	PLATE	1	10001-
8	424-43-11240	CUSHION	3	10001-
9	01580-10605	NUT	6	10001-
10	424-43-11250	WASHER	6	10001-
11	01010-81260	BOLT	2	10001-
12	01643-31232	WASHER	2	10001-
13	07102-20312	HOSE	1	10001-
14	07323-B0300	ELBOW	1	10001-
15	427-43-11330	CONNECTOR	1	10001-
16	07238-10315	CONNECTOR	1	10001-
17	07261-21436	HOSE	1	10001-
18	07325-30400	NIPPLE	1	10001-
19	07323-C0400	ELBOW	1	10001-
20	07323-B0400	ELBOW	1	10001-
21	154-04-11510	NIPPLE	2	10001-
22	07281-00259	CLAMP	2	10001-
23	08036-02514	CLIP	6	10001-
24	01010-81016	BOLT	6	10001-
25	01643-31032	WASHER	6	10001-
26	421-07-11760	CLIP	3	10001-
27	01435-01016	BOLT	2	10001-
28	419-06-12760	PLATE	1	10001-
29	01435-01016	BOLT	1	10001-

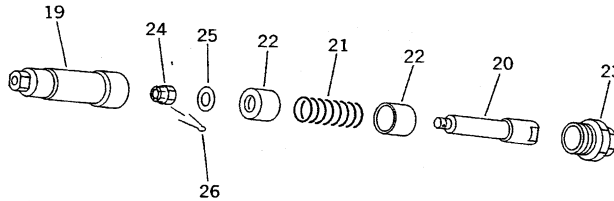
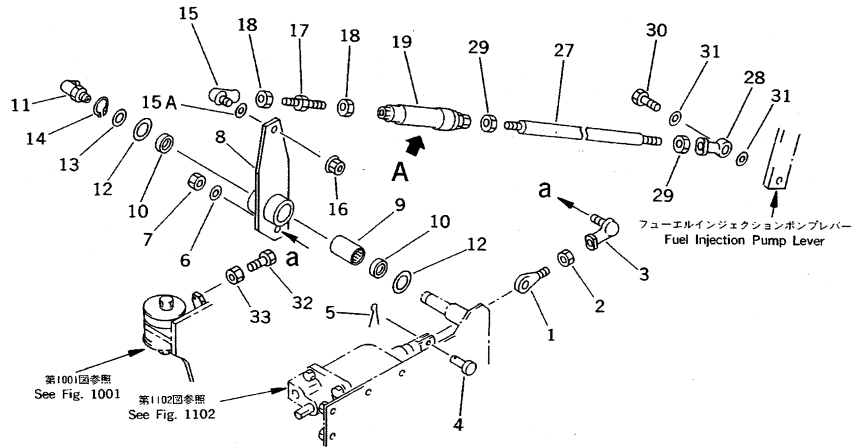
WA700-1 S/N 10001-UP (Overseas Version)

**ACCELERATOR PEDAL AND LINKAGE (2/3) (SERVO CYLINDER PIPING)**

Item	Part No.	Part Name	Qty	Serial No.
30	08036-02514	CLIP	1	10001-
31	08036-01814	CLIP	1	10001-
32	01584-01008	NUT	1	10001-

WA700-1 S/N 10001-UP (Overseas Version)

@@45110@



A 詳細  
Detail A

Ref. 1103

Page 030060

WA700-1 S/N 10001-UP (Overseas Version)  
ACCELERATOR PEDAL AND LINKAGE (3/3) (SERVO CYLINDER TO FUEL INJECTION PUMP LEVER)

Item	Part No.	Part Name	Qty	Serial No.
1	04252-21061	END,ROD	1	10001-
2	01582-11008	NUT	1	10001-
3	04256-41025	JOINT	1	10001-
4	04205-11032	PIN	1	10001-
5	04050-13020	PIN,COTTER	1	10001-
6	01641-21016	WASHER	1	10001-
7	01595-01008	NUT,LOCK	1	10001-
8	428-43-11182	LEVER	1	10001-
9	06120-02030	BEARING	1	10001-
10	06122-02004	SEAL	2	10001-
11	07020-00900	FITTING,GREASE	1	10001-
12	01643-32060	WASHER	2	10001-
13	01643-31845	WASHER	1	10001-
14	04064-01812	RING,SNAP	1	10001-
15	04256-41025	JOINT,BALL	1	10001-
15A	01643-31032	WASHER	1	10001-
16	01595-01008	NUT,LOCK	1	10001-
17	428-43-11270	ROD	1	10001-
18	01582-11008	NUT	2	10001-
19	561-43-41500	ABSORBER ASS'Y	1	10038-
	□6164-71-7200	ABSORBER ASS'Y	1	10001-10037
	561-43-41540	・ GUIDE	1	10038-
	6164-71-7210	・ GUIDE	1	10001-10037
20	561-43-41520	・ ROD	1	10038-
	6164-71-7220	・ ROD	1	10001-10037
21	561-43-41530	・ SPRING	1	10038-
	6164-71-7230	・ SPRING	1	10001-10037
22	561-43-41510	・ LINER	2	10038-

Reference:1103

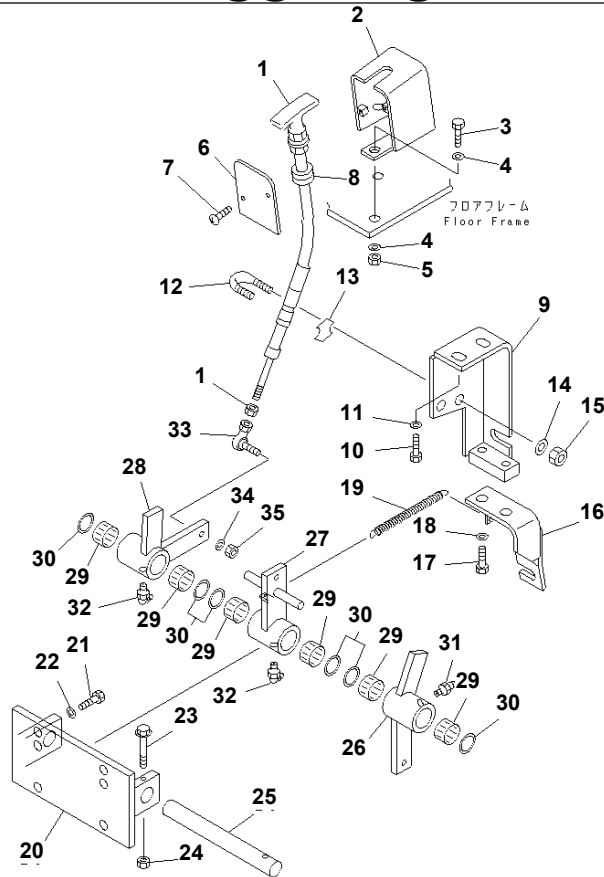
Page:030060

**WA700-1 S/N 10001-UP (Overseas Version)**  
**ACCELERATOR PEDAL AND LINKAGE (3/3) (SERVO CYLINDER TO FUEL INJECTION PUMP LEVER)**

Item	Part No.	Part Name	Qty	Serial No.
22	6164-71-7240	· LINER	2	10001-10037
23	6164-71-7250	· BOLT	1	10001-
24	01590-01012	· NUT	1	10001-
25	01643-31032	· WASHER	1	10001-
26	04050-12018	· PIN,COTTER	1	10001-
27	428-43-11281	ROD	1	10038-
	□428-43-11280	ROD	1	10001-10037
28	04250-81056	END,ROD	1	10001-
29	01582-11008	NUT	2	10001-
30	01010-81045	BOLT	1	10001-
31	04254-01032	SPACER	2	10001-
32	01010-81030	BOLT	1	10001-
33	01580-11008	NUT	1	10001-

WA700-1 S/N 10001-UP (Overseas Version)

@@E1250@



PME1250

Ref. 1111

Page 030070

WA700-1 S/N 10001-UP (Overseas Version)  
**MECHANICAL ENGINE STOP SYSTEM (1/3) (CAB SIDE CONTROL CABLE)**

Item	Part No.	Part Name	Qty	Serial No.
1	428-43-11570	CABLE	1	10001-
2	427-43-11620	BRACKET	1	10001-
3	01010-81025	BOLT	2	10001-
4	01643-51032	WASHER	4	10001-
5	01580-11008	NUT	2	10001-
6	427-43-11530	PLATE	1	10001-
7	01220-40410	SCREW	2	10001-
8	112-860-1360	GROMMET	1	10001-
9	427-43-11590	BRACKET	1	10001-
10	01010-81025	BOLT	2	10001-
11	421-40-12420	WASHER	2	10001-
12	07283-32236	CLIP	1	10001-
13	07283-52232	SEAT	1	10001-
14	01643-31032	WASHER	2	10001-
15	01597-01009	NUT	2	10001-
16	427-43-11580	BRACKET	1	10001-
17	01010-81025	BOLT	2	10001-
18	01643-31032	WASHER	2	10001-
19	418-43-18240	SPRING	1	10001-
20	427-43-11630	SUPPORT	1	10001-
21	01010-81030	BOLT	4	10001-
22	01643-31032	WASHER	4	10001-
23	01435-00655	BOLT	1	10001-
24	01580-10605	NUT	1	10001-
25	417-43-18160	PIN	1	10001-
26	427-43-11540	LEVER	1	10001-
27	427-43-11550	LEVER	1	10001-
28	427-43-11560	LEVER	1	10001-
29	06120-02016	BEARING	6	10001-

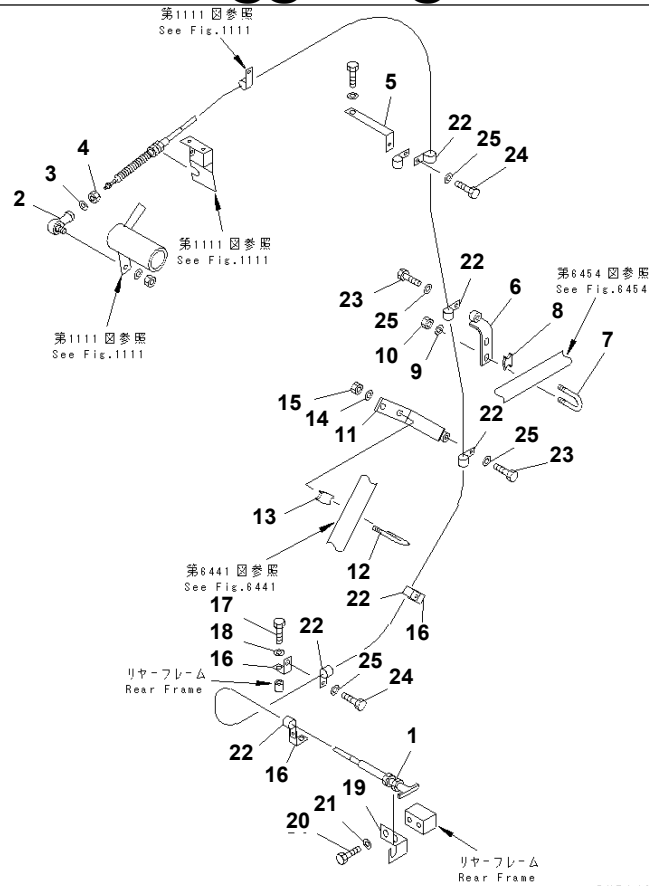
WA700-1 S/N 10001-UP (Overseas Version)

**MECHANICAL ENGINE STOP SYSTEM (1/3) (CAB SIDE CONTROL CABLE)**

Item	Part No.	Part Name	Qty	Serial No.
30	06122-02004	SEAL	6	10001-
31	07020-00000	FITTING,GREASE	1	10001-
32	07020-00900	FITTING,GREASE	2	10001-
33	04256-40618	JOINT,BALL	1	10001-
34	01643-30623	WASHER	1	10001-
35	01596-00606	NUT	1	10001-

WA700-1 S/N 10001-UP (Overseas Version)

@@E1400@

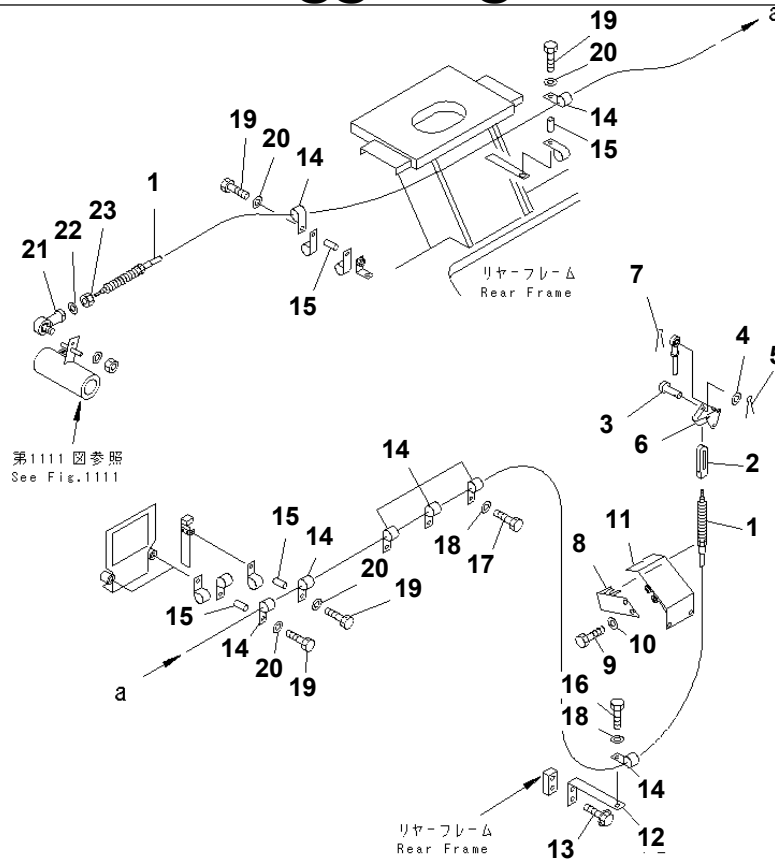


Ref. 1112

Page 030080

WA700-1 S/N 10001-UP (Overseas Version)  
MECHANICAL ENGINE STOP SYSTEM (2/3) (OUTER SIDE CONTROL CABLE)

Item	Part No.	Part Name	Qty	Serial No.
1	428-43-11580	CABLE	1	10001-
2	04256-40618	JOINT,BALL	1	10001-
3	01643-30623	WASHER	1	10001-
4	01596-00606	NUT	1	10001-
5	427-43-11510	PLATE	1	10001-
6	428-43-11530	PLATE	1	10001-
7	07283-36155	CLIP	1	10001-
8	07283-56170	SEAT	1	10001-
9	01643-31032	WASHER	2	10001-
10	01597-01009	NUT	2	10001-
11	428-43-11520	PLATE	1	10001-
12	07283-33442	CLIP	1	10001-
13	07283-53444	SEAT	1	10001-
14	01643-31032	WASHER	1	10001-
15	01597-01009	NUT	1	10001-
16	42A-16-11210	PLATE	3	10001-
17	01010-51020	BOLT	3	10001-
18	01643-31032	WASHER	3	10001-
19	428-43-11510	PLATE	1	10001-
20	01010-51020	BOLT	2	10001-
21	01643-31032	WASHER	2	10001-
22	424-06-12730	CLIP	6	10001-
23	01010-81020	BOLT	2	10001-
24	01010-81025	BOLT	4	10001-
25	01643-31032	WASHER	6	10001-

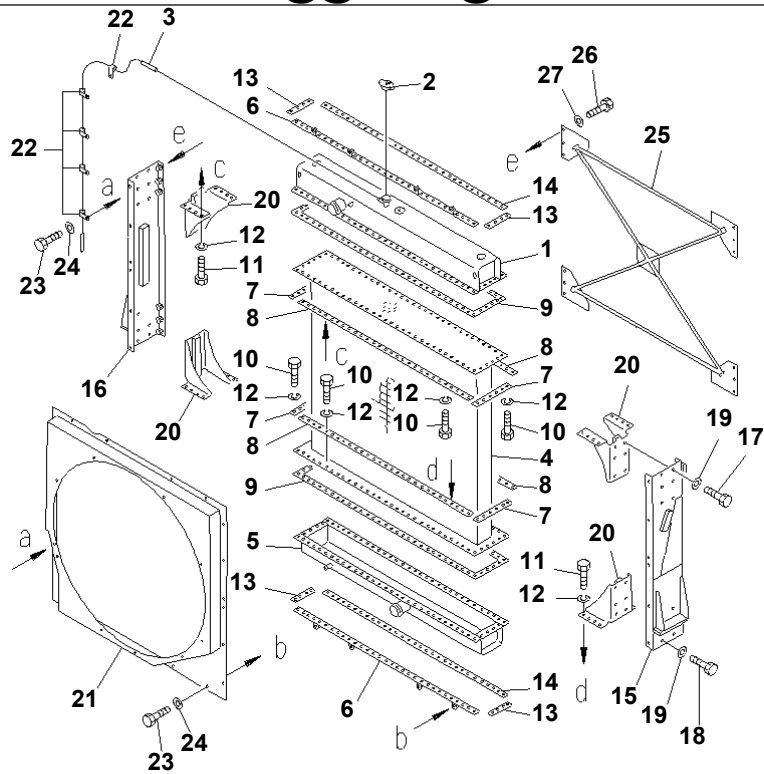


WA700-1 S/N 10001-UP (Overseas Version)  
**MECHANICAL ENGINE STOP SYSTEM (3/3) (ENGINE STOP MOTOR CONTROL CABLE)**

Item	Part No.	Part Name	Qty	Serial No.
1	427-43-11640	CABLE	1	10001-
2	427-43-11570	YOKE	1	10001-
3	04205-10625	PIN	1	10001-
4	01643-30623	WASHER	1	10001-
5	04050-11612	PIN,COTTER	1	10001-
6	428-43-11550	LEVER	1	10001-
7	04050-11212	PIN,COTTER	1	10001-
8	428-43-11560	BRACKET	1	10001-
9	01010-81020	BOLT	2	10001-
10	01643-31032	WASHER	2	10001-
11	428-Z17-1120	BRACKET	1	10001-
	01571-01016	SEAT	2	10001-
12	427-06-12440	BRACKET	1	10001-
13	01435-01020	BOLT	2	10001-
14	424-06-12730	CLIP	10	10001-
15	20T-03-11130	SPACER	5	10001-
16	01010-51025	BOLT	1	10001-
17	01010-51020	BOLT	3	10001-
18	01643-31032	WASHER	4	10001-
19	01010-51020	BOLT	3	10001-
20	01010-81060	BOLT	5	10001-
21	04256-40618	JOINT,BALL	1	10001-
22	01643-30623	WASHER	1	10001-
23	01596-00606	NUT	1	10001-

WA700-1 S/N 10001-UP (Overseas Version)

@@45111@



PW45111

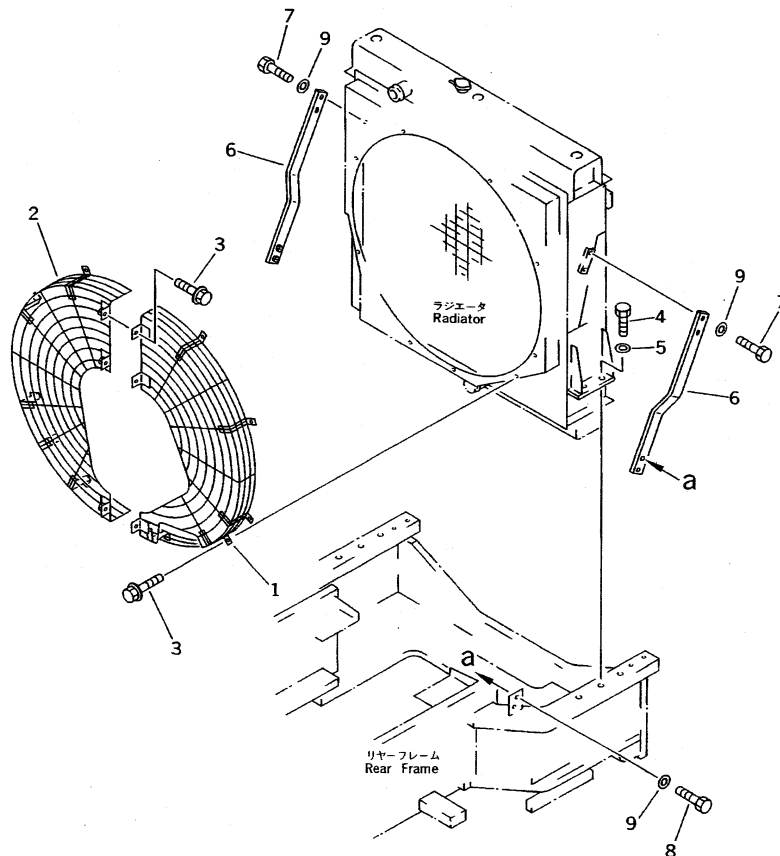
Ref. 1201

Page 030100

WA700-1 S/N 10001-UP (Overseas Version)

RADIATOR

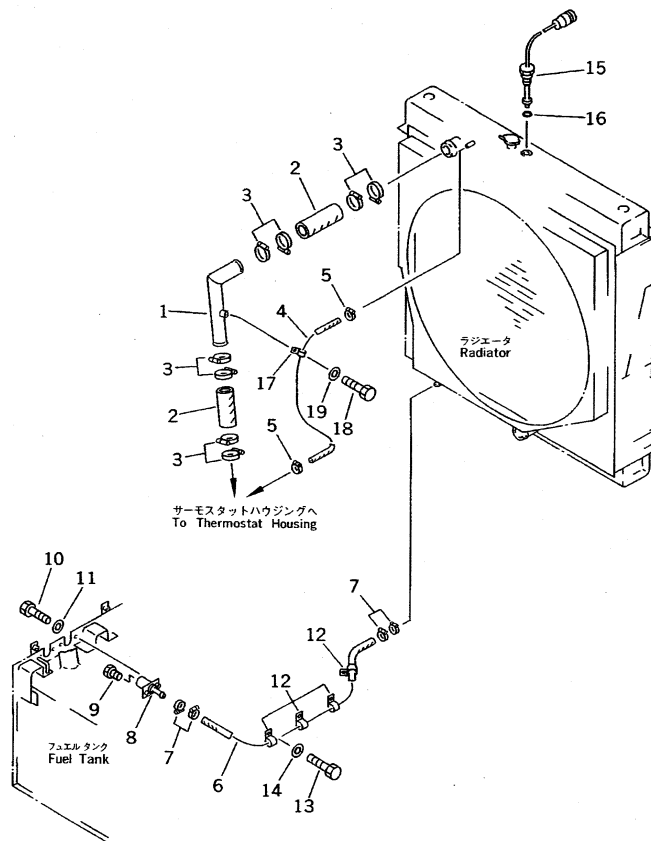
Item	Part No.	Part Name	Qty	Serial No.
1	428-03-11201	RADIATOR ASS'Y	1	10001-
	428-03-11111	• TANK,UPPER	1	10001-
2	421-03-11460	• CAP	1	10001-
3	424-03-11170	• HOSE	1	10001-
4	428-03-11131	• CORE	1	10001-
5	428-03-11121	• TANK,LOWER	1	10001-
6	428-03-11140	• PLATE ASS'Y	2	10001-
7	428-03-11171	• PLATE	4	10001-
8	428-03-11160	• PLATE	4	10001-
9	428-03-11212	• GASKET	2	10001-
	(☒428-03-11211)	• GASKET	2	(10001-10101)
10	01010-81030	• BOLT	108	10001-
11	01010-81040	• BOLT	32	10001-
12	01602-21030	• WASHER,SPRING	140	10001-
13	428-03-11310	• PLATE	4	10001-
14	428-03-11150	• PLATE	2	10001-
15	428-03-11221	• SUPPORT,L.H.	1	10001-
16	428-03-11231	• SUPPORT,R.H.	1	10001-
17	01010-81230	• BOLT	12	10001-
18	01010-81240	• BOLT	12	10001-
19	01643-31232	• WASHER	24	10001-
20	428-03-11181	• BRACKET	4	10001-
21	428-03-11282	• SHROUD	1	10001-
22	419-03-11320	• CLIP	5	10001-
23	01010-81025	• BOLT	20	10001-
24	01643-31032	• WASHER	20	10001-
25	428-03-11270	• STAY,CROSS	1	10001-
26	01010-81230	• BOLT	12	10001-
27	01643-31232	• WASHER	12	10001-



WA700-1 S/N 10001-UP (Overseas Version)

**RADIATOR COVER**

Item	Part No.	Part Name	Qty	Serial No.
1	428-03-13122	NET,L.H.	1	10001-
2	428-03-13131	NET,R.H.	1	10001-
3	01435-01225	BOLT	13	10001-
4	01010-62055	BOLT	4	10001-
5	01643-32060	WASHER	4	10001-
6	428-03-13113	SUPPORT	2	10001-
7	01010-61650	BOLT	4	10001-
8	01010-61665	BOLT	4	10001-
9	01643-31645	WASHER	8	10001-



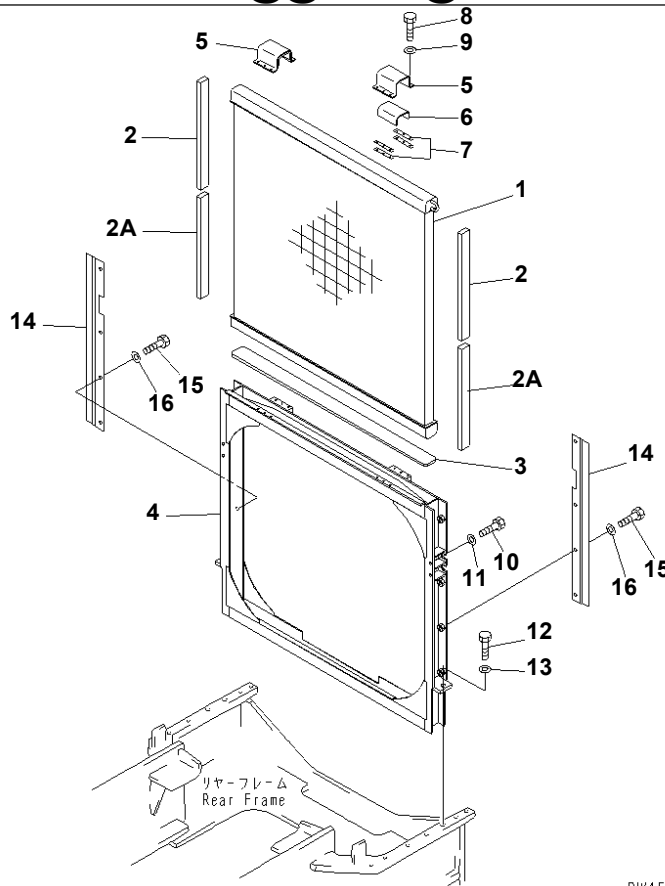
WA700-1 S/N 10001-UP (Overseas Version)

**RADIATOR PIPING**

Item	Part No.	Part Name	Qty	Serial No.
1	428-03-12123	TUBE	1	10001-
2	07260-27418	HOSE	2	10001-
3	07281-01029	CLAMP	8	10001-
4	09483-40310	HOSE	1	10001-
5	07281-00197	CLAMP	2	10001-
6	426-09-11240	HOSE	1	10001-
7	07281-00359	CLAMP	4	10001-
8	426-01-11231	TUBE	1	10001-
9	424-01-11110	PLUG	1	10001-
10	01010-81030	BOLT	2	10001-
11	01643-31032	WASHER	2	10001-
12	08036-03014	CLIP	4	10001-
13	01010-81020	BOLT	4	10001-
14	01643-31032	WASHER	4	10001-
15	7861-91-4540	SENSOR,RADIATOR WATER LEVEL	1	10001-
16	07002-23634	O-RING	1	10001-
17	423-35-12970	CLIP	1	10001-
18	01010-81016	BOLT	1	10001-
19	01643-31032	WASHER	1	10001-

WA700-1 S/N 10001-UP (Overseas Version)

@@45114@



PW45114

Ref. 1261

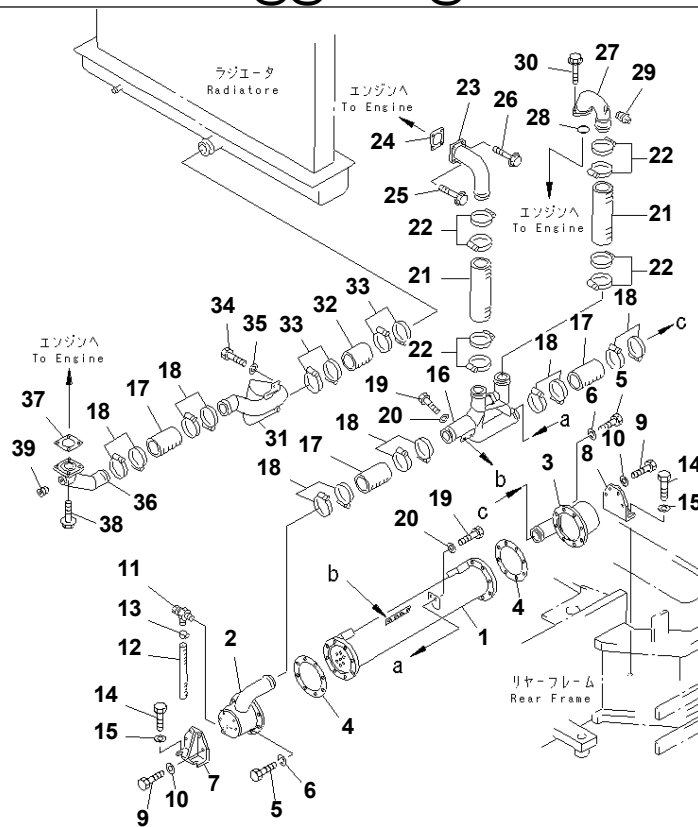
Page 030130

WA700-1 S/N 10001-UP (Overseas Version)  
OIL COOLER

Item	Part No.	Part Name	Qty	Serial No.
1	428-03-15101	OIL COOLER ASS'Y	1	10001-
	428-03-15111	・ CORE ASS'Y	1	10001-
2	428-03-15230	・ PACKING	2	10001-
2A	428-03-15240	・ PACKING	2	10001-
3	428-03-15220	・ SEAT,RUBBER	1	10001-
4	428-03-15211	・ FRAME	1	10001-
5	428-03-15121	・ CLAMP	2	10001-
6	428-03-15320	・ SEAT,RUBBER	2	10001-
7	428-03-15130	・ SHIM	4	10001-
8	01010-81030	・ BOLT	12	10001-
9	01643-31032	・ WASHER	12	10001-
10	01010-61240	BOLT	4	10001-
11	01643-31445	WASHER	4	10001-
12	01010-62055	BOLT	2	10001-
13	01643-32060	WASHER	2	10001-
14	428-54-11660	BAFFLE	2	10001-
15	01010-81025	BOLT	8	10001-
16	01643-31032	WASHER	8	10001-

WA700-1 S/N 10001-UP (Overseas Version)

@@45115@



PN45115

Ref. 1271

Page 030140

WA700-1 S/N 10001-UP (Overseas Version)  
OIL COOLER AND WATER PIPING

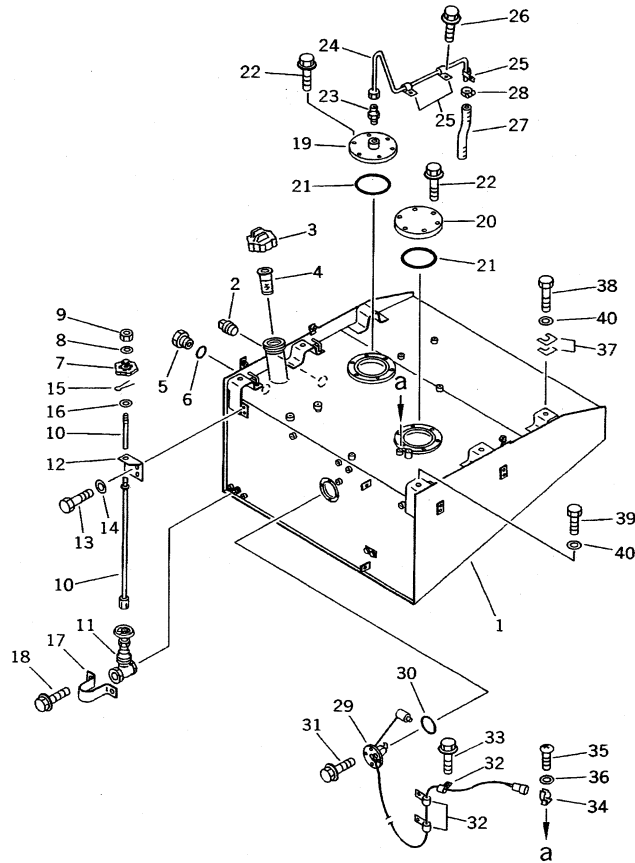
Item	Part No.	Part Name	Qty	Serial No.
1	426-03-11402	OIL COOLER ASS'Y	1	10001-
	426-03-11610	・ ELEMENT	1	10001-
2	426-03-11620	・ COVER,L.H.	1	10001-
3	426-03-11630	・ COVER,R.H.	1	10001-
4	426-03-11641	・ GASKET	2	10001-
	(☒426-03-11640)	・ GASKET	2	(10001-10101)
5	01010-81245	・ BOLT	16	10001-
6	01602-21236	・ WASHER,SPRING	16	10001-
7	426-03-11660	・ BRACKET	1	10001-
8	426-03-11650	・ BRACKET	1	10001-
9	01010-81235	・ BOLT	8	10001-
10	01643-31232	・ WASHER	8	10001-
11	6127-61-8411	VALVE ASS'Y,DRAIN	1	10001-
12	09483-40502	HOSE	1	10001-
13	07281-00259	CLAMP	1	10001-
14	01010-81235	BOLT	3	10001-
15	175-54-34170	WASHER	3	10001-
16	428-03-12153	TUBE	1	10001-
17	07260-27422	HOSE	3	10001-
18	07281-01029	CLAMP	12	10001-
19	01010-81235	BOLT	4	10001-
20	01643-31232	WASHER	4	10001-
21	07260-27428	HOSE	2	10001-
22	07281-01029	CLAMP	8	10001-
23	426-03-11332	TUBE	1	10001-
24	6162-63-2161	GASKET	1	10001-
	(☒6162-63-2160)	GASKET	1	(10001-10101)
25	01435-01035	BOLT	2	10001-
26	01435-01060	BOLT	2	10001-

**WA700-1 S/N 10001-UP (Overseas Version)  
OIL COOLER AND WATER PIPING**

Item	Part No.	Part Name	Qty	Serial No.
27	426-03-11491	ELBOW	1	10001-
28	07000-12075	O-RING	1	10001-
29	07042-20108	PLUG	1	10001-
30	01435-01235	BOLT	2	10001-
31	428-03-12161	TUBE	1	10001-
32	07260-27416	HOSE	1	10001-
33	07281-01029	CLAMP	4	10001-
34	01010-81225	BOLT	2	10001-
35	01643-31232	WASHER	2	10001-
36	428-03-12141	TUBE	1	10001-
37	6693-62-9242	GASKET	1	10001-
	(☒6693-62-9241)	GASKET	1	(10001-10101)
38	01435-01030	BOLT	4	10001-
39	07043-70415	PLUG,(WITHOUT AIR CON. OR HEATER)	1	10001-

WA700-1 S/N 10001-UP (Overseas Version)

@@45116@



Ref. 1301

Page 030150

WA700-1 S/N 10001-UP (Overseas Version)  
**FUEL TANK(#10001-10044)**

Item	Part No.	Part Name	Qty	Serial No.
1	428-04-11113	TANK,FUEL	1	10001-10044
2	426-04-11150	PLUG	1	10001-@
3	421-04-11260	CAP	1	10001-@
	07050-21202	GASKET	1	10001-@
4	07056-18416	STRAINER	1	10001-@
5	421-60-11622	GAUGE,SIGHT	1	10001-@
6	07002-15234	O-RING	1	10001-@
7	426-04-11210	HANDLE	1	10001-@
8	01643-30623	WASHER	1	10001-@
9	01580-10605	NUT	1	10001-@
10	428-04-11150	ROD	1	10001-@
11	416-04-10130	VALVE	1	10001-@
12	428-04-11160	PLATE	1	10001-@
13	01010-81225	BOLT	2	10001-@
14	01643-31232	WASHER	2	10001-@
15	04050-12018	PIN,COTTER	1	10001-@
16	01643-51032	WASHER	1	10001-@
17	419-04-11120	COVER	1	10001-@
18	01435-00816	BOLT	2	10001-@
19	428-04-11180	COVER	1	10001-@
20	428-04-11120	COVER	1	10001-@
21	07000-15200	O-RING	2	10001-@
22	01435-01025	BOLT	12	10001-@
23	07214-71013	CONNECTOR	1	10001-@
24	428-04-11171	TUBE	1	10001-@
25	424-04-11120	CLIP	3	10001-@
26	01435-01016	BOLT	3	10001-@
27	07270-21020	TUBE	1	10001-@
28	07280-01620	CLAMP	1	10001-@



**Suggest:**

**For more complete manuals. Please go to the home page.**

**<https://www.ebooklibonline.com>**

**If the above button click is invalid. Please download this document first, and then click the above link to download the complete manual.**

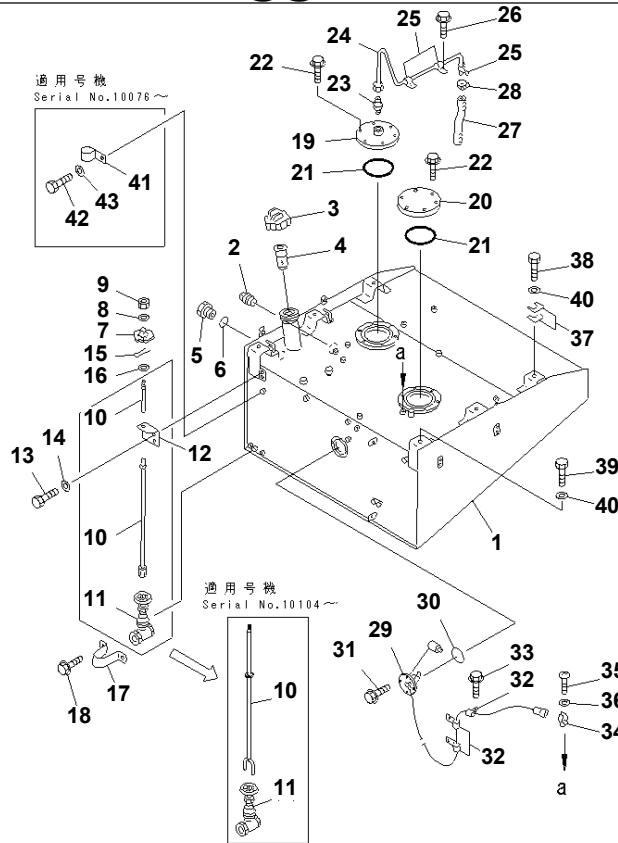
**Thank you so much for reading**

**WA700-1 S/N 10001-UP (Overseas Version)**  
**FUEL TANK(#10001-10044)**

Item	Part No.	Part Name	Qty	Serial No.
29	7861-91-4891	SENSOR,FUEL LEVEL	1	10001-@
30	07000-12085	O-RING	1	10001-@
31	01435-01014	BOLT	4	10001-@
32	362-43-18780	CLIP	3	10001-@
33	01435-01016	BOLT	3	10001-@
34	08052-01711	CLIP	1	10001-@
35	01220-40608	SCREW	1	10001-@
36	01641-20608	WASHER	1	10001-@
37	416-855-1190	SHIM?0.5MM	10	10001-@
38	01010-63080	BOLT	2	10001-@
39	01011-63025	BOLT	4	10001-@
40	01643-33080	WASHER	6	10001-@

WA700-1 S/N 10001-UP (Overseas Version)

@@E1402A



PNE1402A

Ref. 1301A

Page 030160

WA700-1 S/N 10001-UP (Overseas Version)  
FUEL TANK(#10045-)

Item	Part No.	Part Name	Qty	Serial No.
1	428-04-11114	TANK,FUEL	1	10045-
2	426-04-11150	PLUG	1	10001-
3	421-04-11260	CAP	1	10001-
	07050-21202	GASKET	1	10001-
4	07056-18416	STRAINER	1	10001-
5	421-60-11622	GAUGE,SIGHT	1	10001-
6	07002-15234	O-RING	1	10001-
7	426-04-11210	HANDLE	1	10001-
8	01643-30623	WASHER	1	10001-
9	01580-10605	NUT	1	10001-
10	428-04-11151	ROD	1	10104-
	■428-04-11150	ROD	1	10001-10103
		(428-04-11151,416-04-10131)		
11	416-04-10131	VALVE	1	10104-
	■416-04-10130	VALVE	1	10001-10103
		(416-04-10131,428-04-11151)		
12	428-04-11160	PLATE	1	10001-
13	01010-81225	BOLT	2	10001-
14	01643-31232	WASHER	2	10001-
15	04050-12018	PIN,COTTER	1	10001-
16	01643-51032	WASHER	1	10001-
17	419-04-11120	COVER	1	10001-
18	01435-00816	BOLT	2	10001-
19	428-04-11180	COVER	1	10001-
20	428-04-11120	COVER	1	10001-
21	07000-15200	O-RING	2	10001-
22	01435-01025	BOLT	12	10001-
23	07214-71013	CONNECTOR	1	10001-
24	428-04-11171	TUBE	1	10001-

**<https://www.ebooklibonline.com>**

Hello dear friend!

Thank you very much for reading.

Enter the link into your browser.

The full manual is available for immediate download.

**<https://www.ebooklibonline.com>**