

WA600-3 S/N A52001-UP
WA600-3 S/N A52001-UP

DESCRIPTION

ENGINE
ENGINE RELATED PARTS
COOLING SYSTEM
FUEL TANK AND RELATED PARTS
ELECTRICAL SYSTEM
POWER TRAIN AND FINAL DRIVE
HYDRAULIC SYSTEM
MAIN/REVOLVING FRAME AND RELATED PARTS
OPERATOR\rd5 S COMPARTMENT AND CONTROL SYSTEM
GUARD
SUSPENSION AND WHEEL RELATED PARTS
WORK EQUIPMENT
MARKS AND PLATES

ENGINE

	DESCRIPTION
	<p> CYLINDER HEAD ROCKER LEVERS VALVE COVER AIR MANIFOLDS AND AFTERCOOLER EXHAUST CONNECTION TURBOCHARGER PIPING AFTERCOOLER WATER PIPING TURBOCHARGER CYLINDER BLOCK PLUMBING CYLINDER BLOCK CYLINDER LINER KIT FRONT GEAR COVER GEAR COVER PLATE OIL PAN OIL PAN ADAPTER OIL PAN PLUMBING FLYWHEEL CRANKSHAFT AND MAIN BEARINGS VIBRATION DAMPER PISTON AND CONNECTING ROD CAMSHAFT CAM FOLLOWER CAM FOLLOWER COVER OIL FILL LOCATION OIL LEVEL GAUGE LUBRICATING OIL PUMP LUBRICATING OIL FILTER LUBRICATING OIL COOLER OIL COOLER WATER PIPING OIL SUCTION TUBE REMOTE OIL DRAIN FUEL PIPING FUEL INJECTION PIPING FUEL FILTER FUEL INJECTOR FUEL PUMP INLET FITTING FUEL PUMP FUEL PUMP DRIVE FUEL PUMP COUPLING ENGINE CONTROL MODULE PIPING WATER PUMP THERMOSTAT AND THERMOSTAT HOUSING THERMOSTAT HOUSING WATER BYPASS TUBE FAN DRIVE CORROSION RESISTOR FAN DRIVE MOUNTING FAN PILOT SPACER WATER MANIFOLD ALTERNATOR PULLEY AND BELT ACCESSORY DRIVE PULLEY RIGHT SIDE ALTERNATOR MOUNTING STARTING MOTOR MOUNTING ALTERNATOR 75AMP 24V 30SI ALTERNATOR 75AMP 24V 33SI STARTING MOTOR ENGINE CONTROL MODULE FUEL SHUT OFF VALVE AND SENSORS SENSOR COVER PLATE FOR ENGINES WITHOUT AIR COMPRESSOR ACCESSORY DRIVE PULLEY LEFT SIDE FRONT GEAR TRAIN ACCESSORY DRIVE COVER WITHOUT HYDRAULIC PUMP DRIVE PROVISION FRONT GEAR TRAIN ACCESSORY DRIVE COVER FRONT ENGINE SUPPORT FLYWHEEL HOUSING FLYWHEEL HOUSING PLUMBING LIFTING BRACKET ENGINE ASSEMBLY </p>

WA600-3 S/N A52001-UP

ENGINE

DESCRIPTION

GASKET SETS

<https://www.ebooklibonline.com>

Hello dear friend!

Thank you very much for reading.

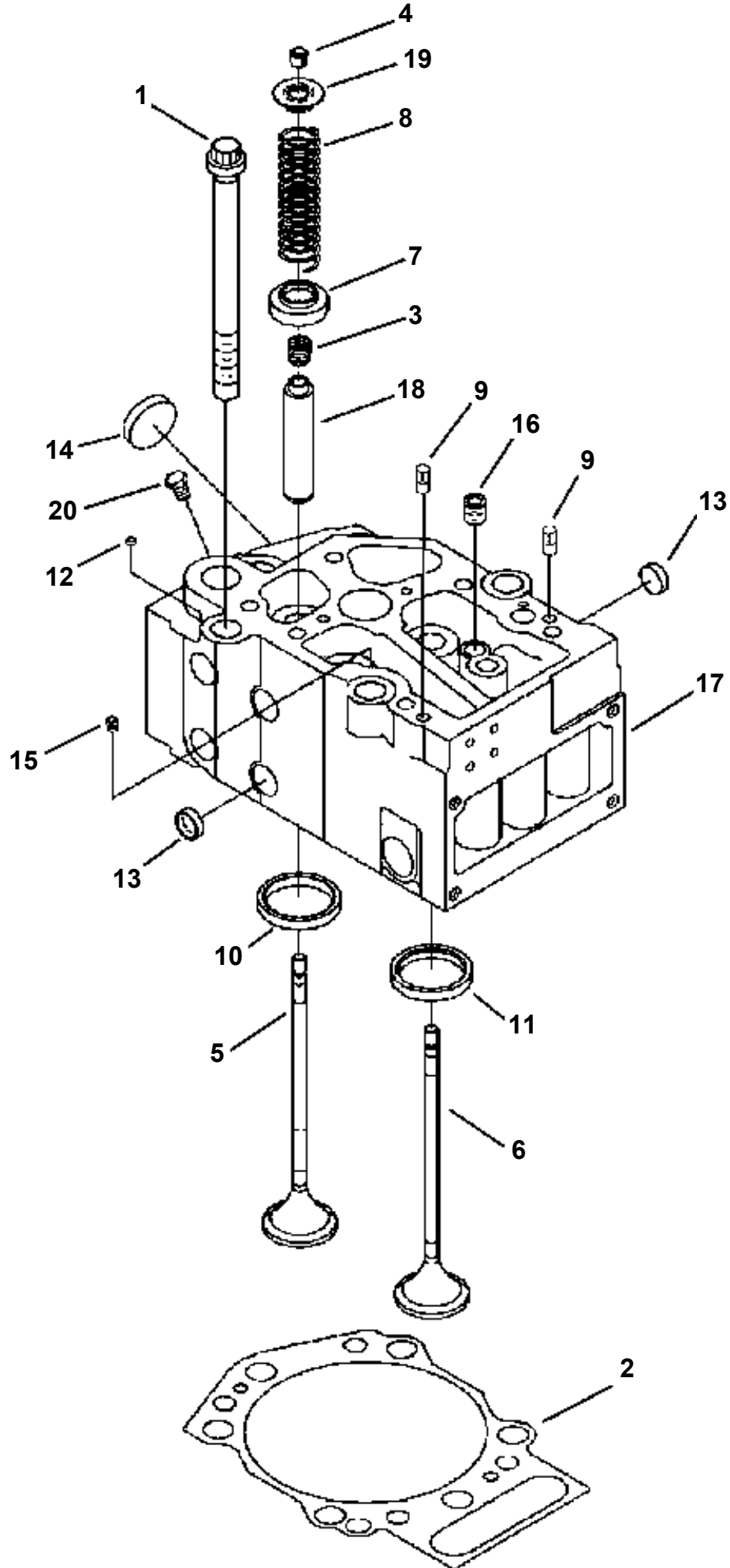
Enter the link into your browser.

The full manual is available for immediate download.

<https://www.ebooklibonline.com>

FIG A1103-A6A1

A1103-A6A1 CYLINDER HEAD

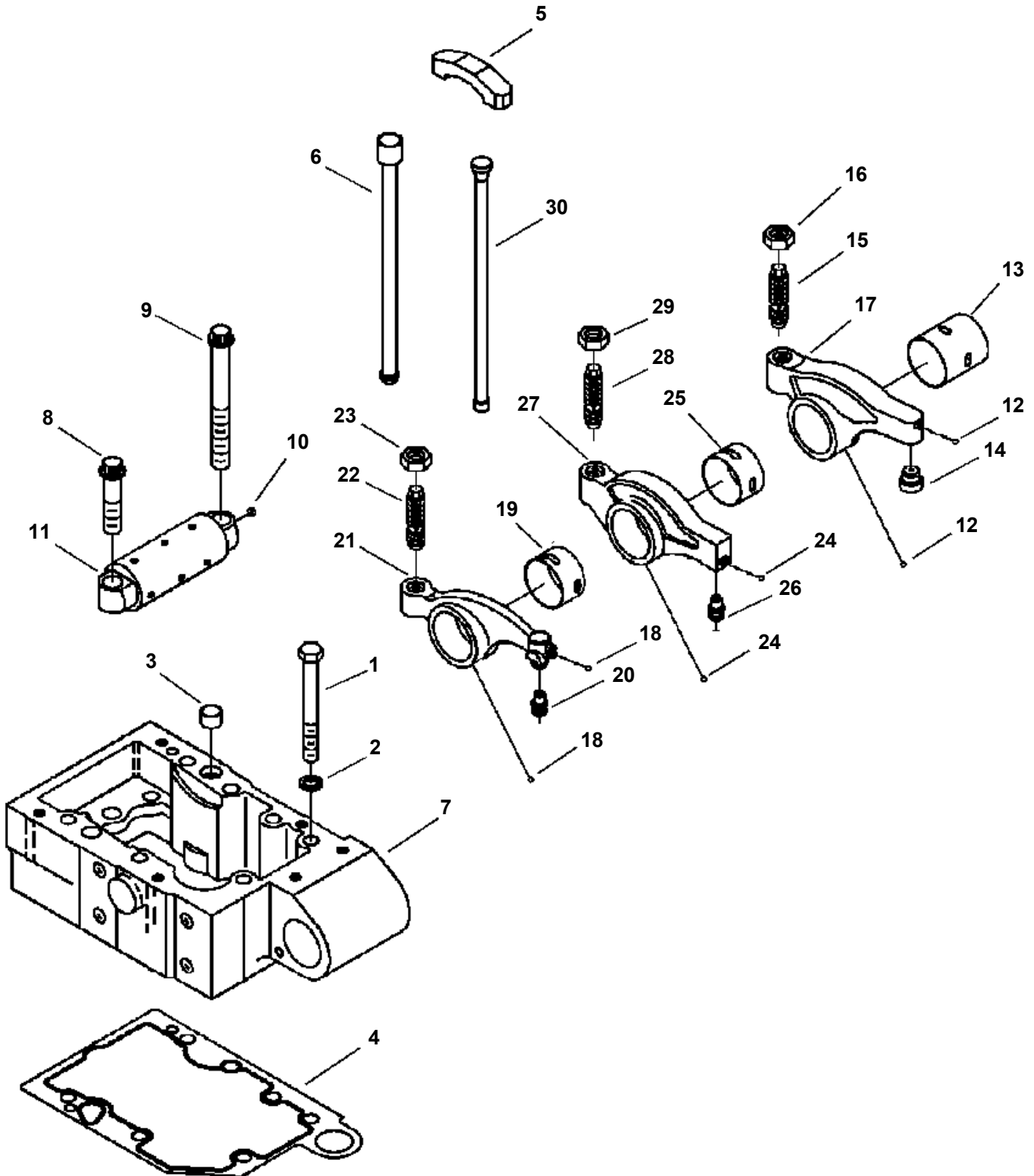


**WA600-3 S/N A52001-UP
A1103-A6A1 CYLINDER HEAD**

ITEM NO.	PART NO.	DESCRIPTION	Q'TY
1	1307 720 H1	BOLT	36
2	1316 753 H1	GASKET, CYLINDER HEAD	6
	1310 474 H92	HEAD, CYLINDER	1
3	1310 670 H1	· SEAL, VALVE STEM	4
4	1307 941 H1	· COLLET, VALVE	8
5	(NSS)	· VALVE, EXHAUST	2
6	(NSS)	· VALVE, INTAKE	2
7	1307 944 H2	· ROTATOR, VALVE	4
8	1307 945 H1	· SPRING, VALVE	4
9	1240 019 H1	· PIN, GROOVE	2
10	1307 946 H1	· INSERT, VALVE	2
11	1307 947 H1	· INSERT, VALVE	2
12	6731-71-6250	· PLUG, EXPANSION	1
13	6720-11-1150	· PLUG, EXPANSION	8
14	1238 755 H1	· PLUG, EXPANSION	2
15	1307 948 H1	· PLUG, THREADED	1
	(NSS)	· · PLUG, THREADED	1
	1307 949 H1	· · SEAL, O-RING	1
16	1246 131 H91	· PLUG, THREADED	1
	(NSS)	· · PLUG, THREADED	1
	6735-21-4160	· · SEAL, O-RING	1
17	(NSS)	· HEAD, CYLINDER	1
18	1310 671 H1	· GUIDE, VALVE STEM	4
19	1307 952 H2	· RETAINER, VALVE SPRING	4
20	1307 953 H1	· PLUG, PIPE	1

FIG A1109-A6A3

A1109-A6A3 ROCKER LEVERS

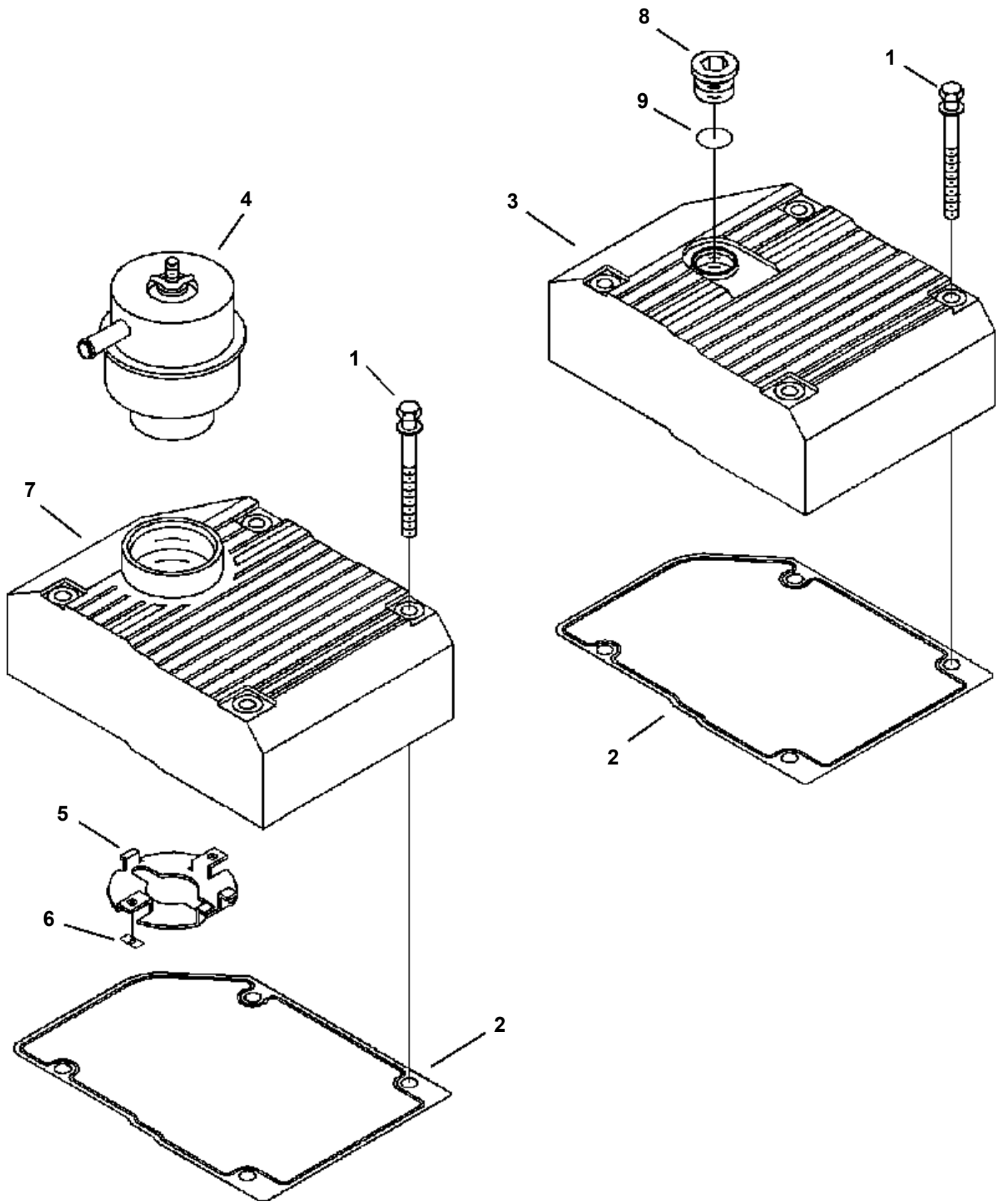


**WA600-3 S/N A52001-UP
A1109-A6A3 ROCKER LEVERS**

ITEM NO.	PART NO.	DESCRIPTION	Q'TY
1	1310 018 H1	BOLT (1/2-13x4 1/2 IN)	42
2	1238 669 H1	WASHER, PLAIN (1/2 IN)	42
3	1310 019 H1	DOWEL, RING	6
4	1310 020 H1	GASKET, ROCKER LEVER HOUSING	6
5	1310 024 H1	CROSSHEAD, VALVE	12
6	1310 022 H1	ROD, PUSH	6
7	1310 021 H2 (NSS)	HOUSING, ROCKER LEVER LEVER, ROCKER	6 6
8	1310 026 H1	· BOLT (5/8-11x2 1/2 IN)	6
9	1310 029 H1	· BOLT	6
	6731-41-5280	· SHAFT, ROCKER LEVER	1
10	6731-71-6250	· · PLUG, EXPANSION	1
11	(NSS)	· · SHAFT, ROCKER LEVER	1
	1316 767 H91	LEVER, ROCKER	1
12	1316 131 H1	· PLUG, DRIVE	2
13	1313 013 H1	· BUSHING	1
14	1313 018 H1	· SOCKET, ROCKER LEVER	1
15	1310 028 H1	· SCREW, ROCKER LEVER ADJUSTING	1
16	1316 130 H1	· NUT	1
17	(NSS)	· LEVER, ROCKER	1
	1316 110 H91	LEVER, ROCKER	1
18	1316 131 H1	· PLUG, DRIVE	2
19	1310 951 H1	· BUSHING	1
20	1310 952 H1	· BALL, ROCKER LEVER	1
21	(NSS)	· LEVER, ROCKER	1
22	1310 028 H1	· SCREW, ROCKER LEVER ADJUSTING	1
23	1316 130 H1	· NUT	1
	1316 128 H91	LEVER, ROCKER	1
24	1316 131 H1	· PLUG, DRIVE	2
25	1310 953 H1	· BUSHING	1
26	1310 952 H1	· BALL, ROCKER LEVER	1
27	(NSS)	· LEVER, ROCKER	1
28	1310 028 H1	· SCREW, ROCKER LEVER ADJUSTING	1
29	1316 130 H1	· NUT	1
30	1310 023 H1	ROD, PUSH	12

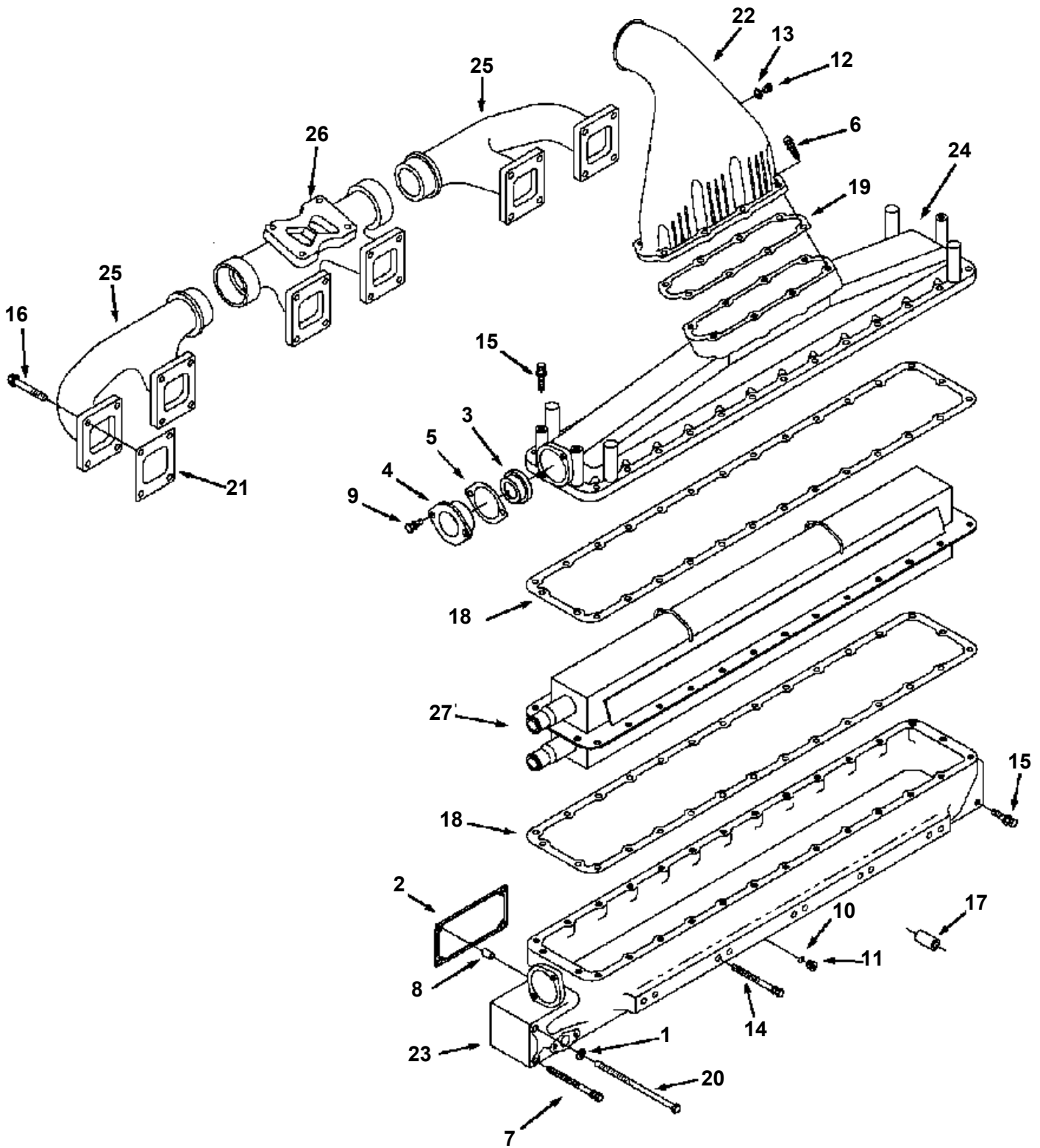
FIG A1115-A6A1

A1115-A6A1 VALVE COVER



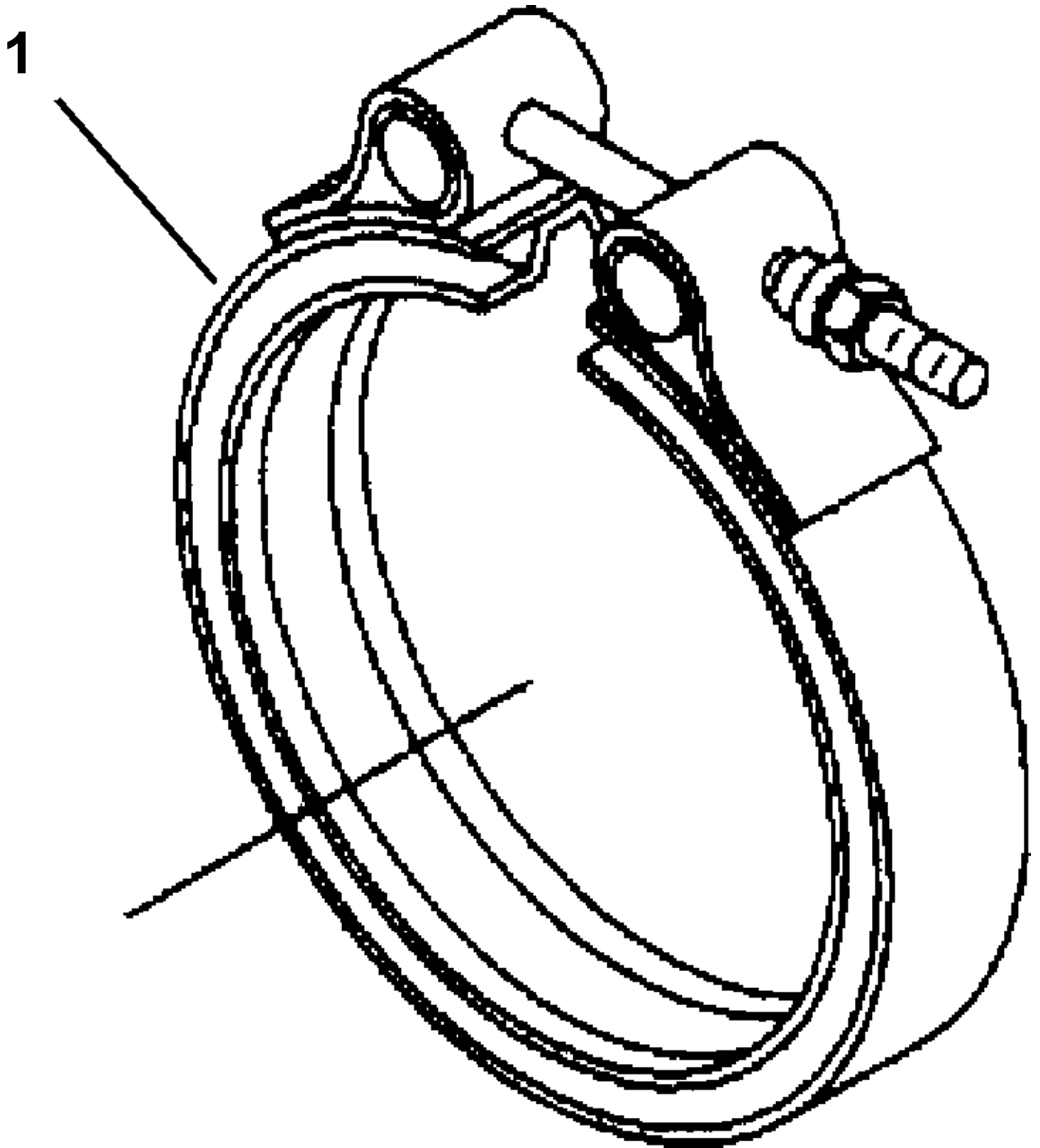
WA600-3 S/N A52001-UP
A1115-A6A1 VALVE COVER

ITEM NO.	PART NO.	DESCRIPTION	Q'TY
1	1239 776 H1	BOLT (3/8-16x4 INCH)	24
2	1310 068 H1	GASKET, VALVE COVER	6
3	1310 069 H1	COVER, VALVE	3
	6731-11-8110	COVER ASSEMBLY	3
4	1238 372 H1	· BREATHER, CRANKCASE	1
5	1310 559 H1	· BAFFLE, BREATHER	1
6	1310 560 H1	· NUT, SPRING	2
7	(NSS)	· COVER, VALVE	1
	6216-24-1910	PLUG, THREADED	3
8	(NSS)	· PLUG, THREADED	1
9	6216-24-1920	· SEAL, O-RING	1



WA600-3 S/N A52001-UP
A1118-A6A1 AIR MANIFOLDS AND AFTERCOOLER

ITEM NO.	PART NO.	DESCRIPTION	Q'TY
1	1267 715 H1	WASHER, PLAIN (3/8 INCH)	10
2	1238 756 H1	GASKET, INTAKE MANIFOLD	6
3	1238 767 H1	SEAL, GROMMET	2
4	1239 005 H1	RETAINER, SEAL	2
5	1239 007 H1	GASKET, CONNECTION	2
6	1239 759 H1	BOLT (3/8-16x1 1/4 INCH)	8
7	1294 607 H1	BOLT (3/8-16x4 7/8 INCH)	3
8	1239 311 H1	SEAL, RECTANGULAR RING	12
9	1239 321 H1	BOLT (3/8-16x1 3/64 INCH)	4
	6560-41-4100	PLUG, THREADED (9/16-18 UNF)	1
10	6560-51-7710	· SEAL, O-RING	1
11	(NSS)	· PLUG, THREADED	1
	1307 040 H91	PLUG, THREADED (7/16-20 UNF)	1
12	(NSS)	· PLUG, THREADED	1
13	1296 846 H1	· SEAL, O-RING	1
14	1295 976 H1	BOLT	14
15	1296 827 H1	BOLT (3/8-16x2 3/4 INCH)	26
16	1241 500 H1	BOLT (7/16-14x3 INCH)	24
17	1241 501 H1	SPACER, MOUNTING	24
18	1310 038 H1	GASKET, AFTERCOOLER HOUSING	2
19	1310 107 H1	GASKET, AFTERCOOLER COVER	1
20	1310 957 H1	BOLT	10
21	1238 693 H1	GASKET, EXHAUST MANIFOLD	6
22	1310 042 H1	CONNECTION, AIR CROSSOVER	1
23	1310 543 H2	HOUSING, AFTERCOOLER	1
24	1310 044 H1	COVER, AFTERCOOLER	1
25	1310 045 H1	MANIFOLD, EXHAUST	2
26	1310 731 H2	MANIFOLD, EXHAUST	1
27	1310 047 H1	CORE, AFTERCOOLER	1
	1317 155 H1	LOCKPLATE	12

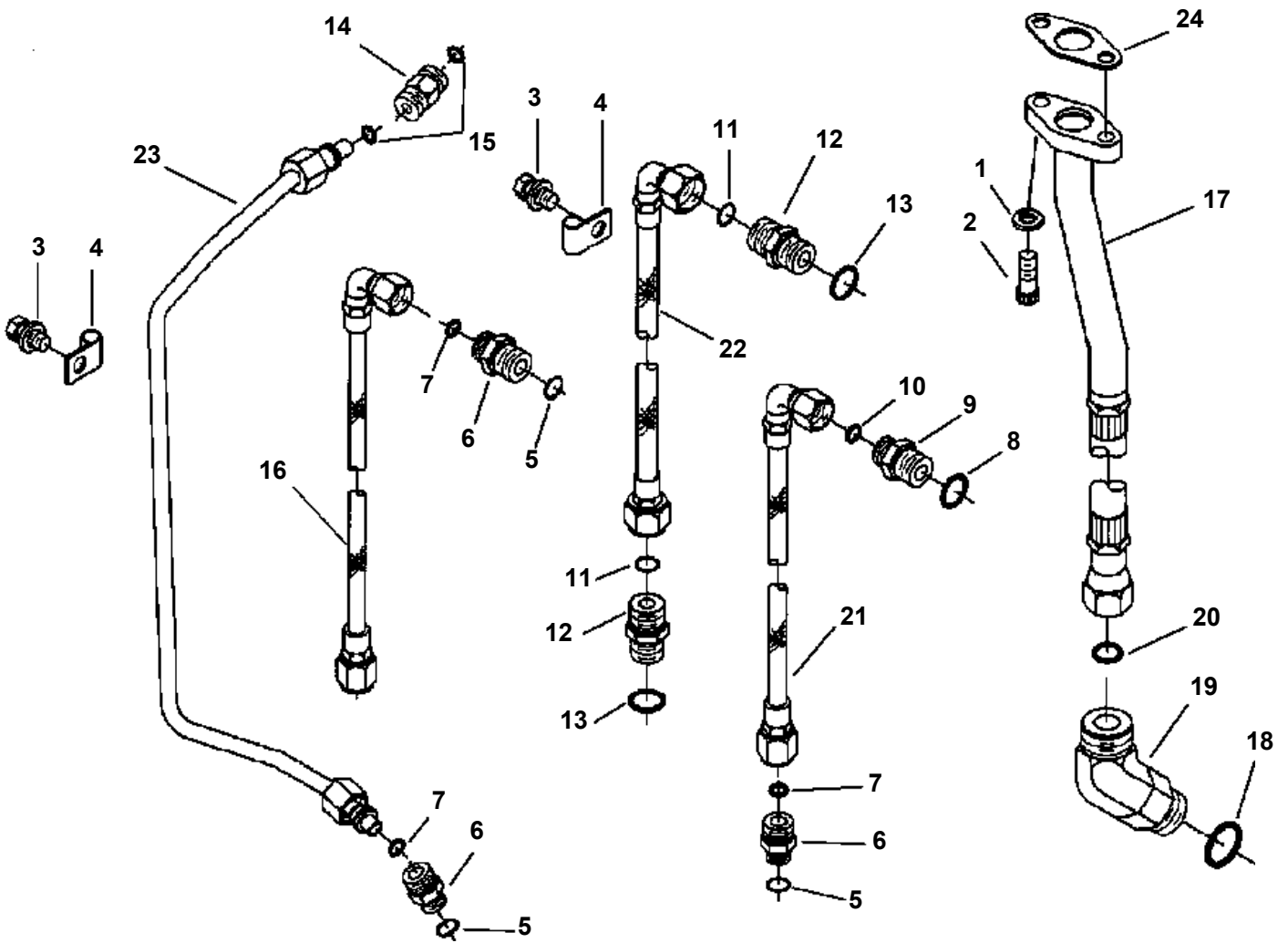


WA600-3 S/N A52001-UP
A1118-A6A2 EXHAUST CONNECTION

ITEM NO.	PART NO.	DESCRIPTION	Q'TY
1	1310 094 H1	CLAMP, V-BAND	1

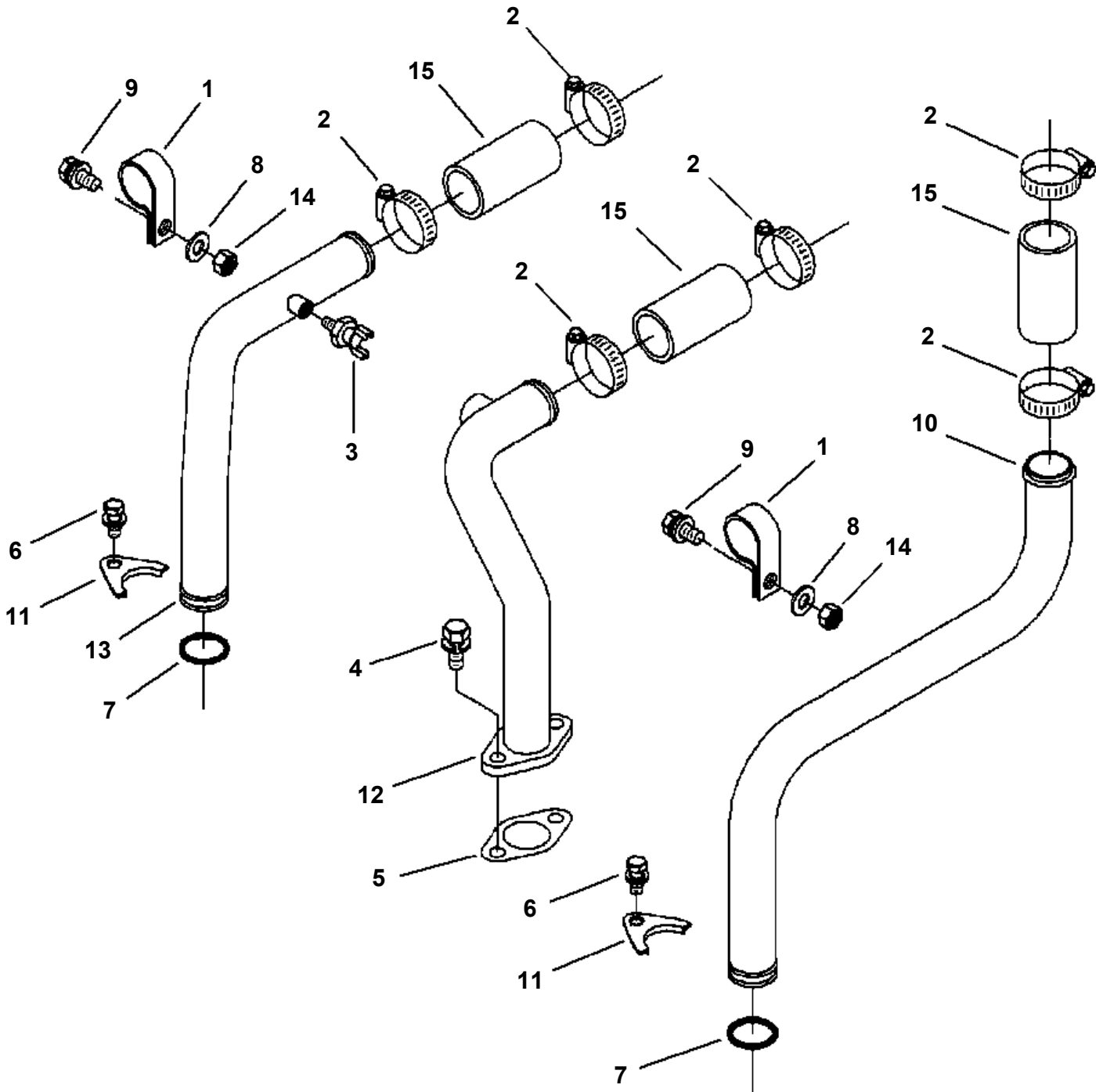
FIG A1120-A6A1

A1120-A6A1 TURBOCHARGER PIPING



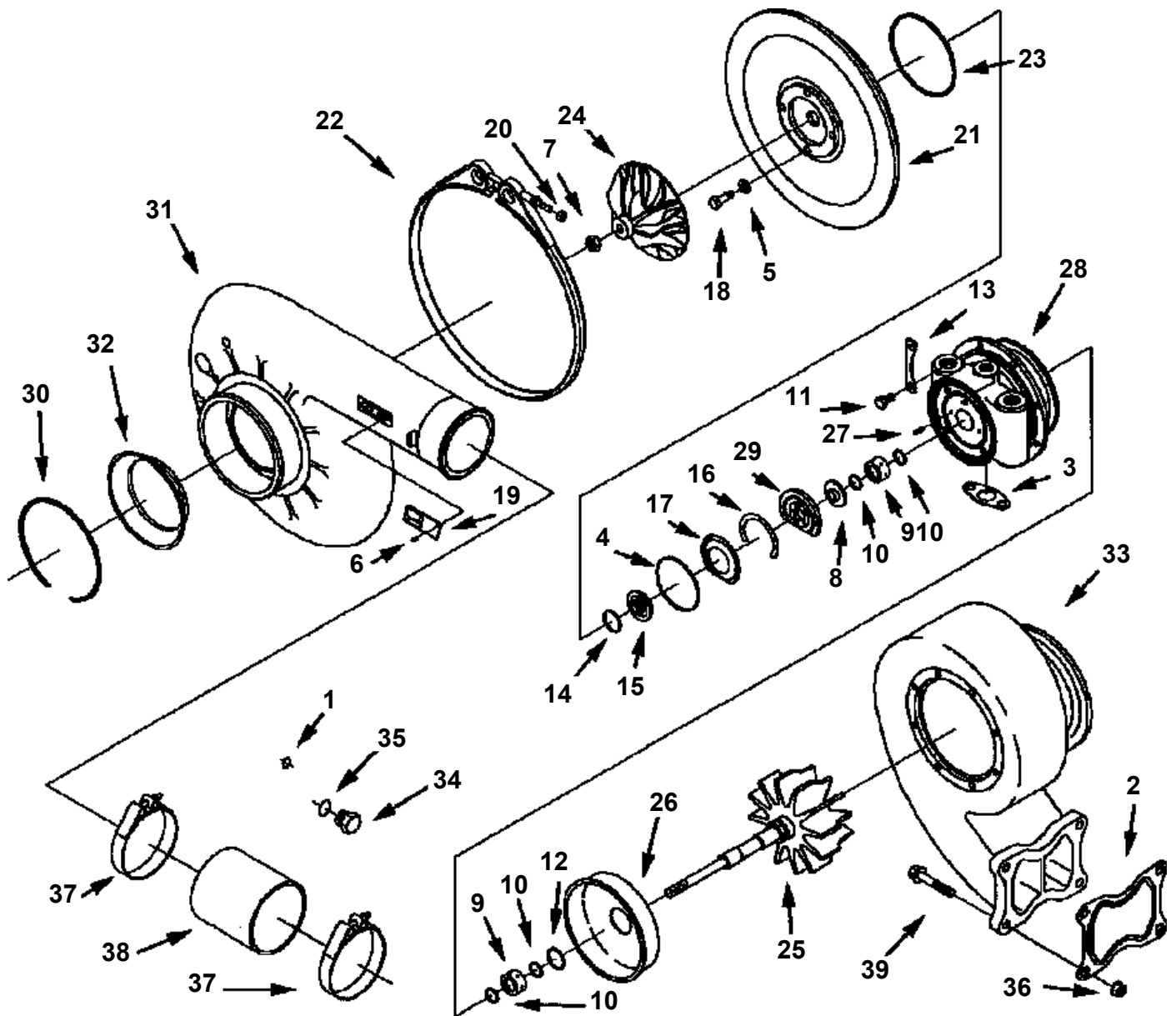
**WA600-3 S/N A52001-UP
A1120-A6A1 TURBOCHARGER PIPING**

ITEM NO.	PART NO.	DESCRIPTION	Q'TY
1	6216-94-3440	WASHER, LOCK (3/8 INCH)	2
2	1238 714 H1	BOLT (3/8 - 16 x 1 INCH)	2
3	1307 465 H1	BOLT (3/8 - 16 x 3/4 INCH)	2
4	1307 310 H1	CLIP	2
	1310 010 H91	UNION, MALE	1
5	6560-51-7710	· SEAL, O-RING	1
6	(NSS)	· UNION, MALE	1
7	6732-81-8860	· SEAL, O-RING	1
	6560-41-8300	UNION, MALE	1
8	6735-21-4160	· SEAL, O-RING	1
9	(NSS)	· UNION, MALE	1
10	6732-81-8860	· SEAL, O-RING	1
	1310 014 H1	UNION, MALE	2
11	1307 820 H1	· SEAL, O-RING	1
12	(NSS)	· UNION, MALE	1
13	6735-21-4160	· SEAL, O-RING	1
	1310 058 H91	UNION, MALE	1
14	(NSS)	· UNION, MALE	1
15	6732-81-8860	· SEAL, O-RING	2
16	1310 060 H1	HOSE, FLEXIBLE	1
17	1310 061 H1	CONNECTION, OIL DRAIN	1
	1310 062 H91	ELBOW, MALE ADAPTER	1
18	6560-41-8140	· SEAL, O-RING	1
19	1310 063 H1	· ELBOW, MALE ADAPTER	1
20	1310 064 H1	· SEAL, O-RING	1
21	1310 065 H1	HOSE, FLEXIBLE	1
22	1310 066 H1	HOSE, FLEXIBLE	1
23	1310 558 H1	TUBE, OIL SUPPLY	1
24		GASKET, CONNECTION (SEE FIG. A1203-A6A1)	



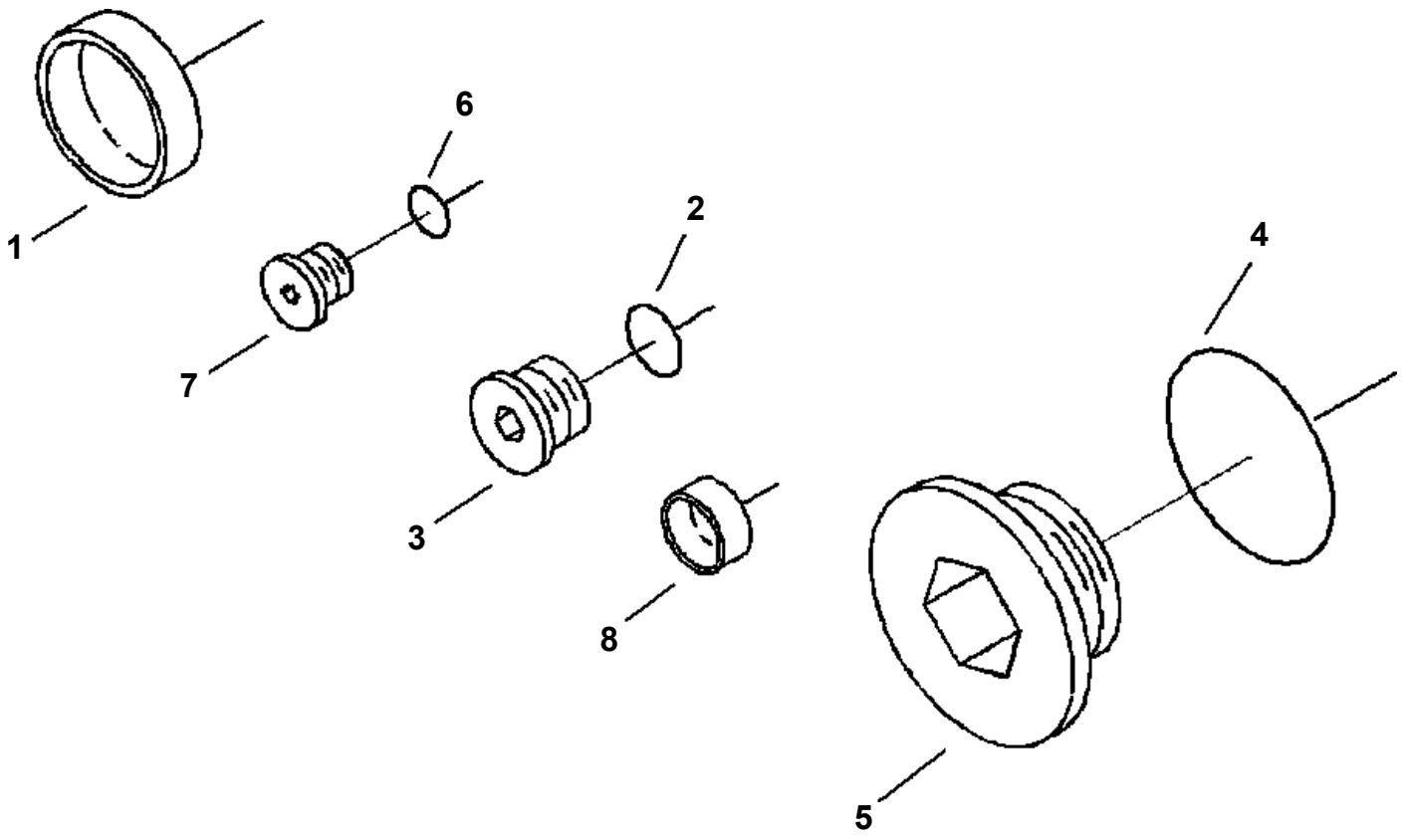
WA600-3 S/N A52001-UP
A1123-A6A1 AFTERCOOLER WATER PIPING

ITEM NO.	PART NO.	DESCRIPTION	Q'TY
1	1240 404 H1	CLIP	2
2	1246 345 H1	CLAMP, HOSE (3/4-1 3/4 INCH)	6
3	1267 720 H1	DRAINCOCK	1
4	6216-94-3780	BOLT (3/8-16x1 INCH)	2
5	1239 226 H1	GASKET, FLANGE	1
6	1239 332 H1	BOLT (5/16-18x3/4 INCH)	2
7	1310 073 H1	SEAL, O-RING	2
8	1267 715 H1	WASHER, PLAIN (3/8 INCH)	2
9	1310 074 H1	BOLT (3/8-16x7/8 INCH)	2
10	1310 075 H1	TUBE, WATER TRANSFER	1
11	1310 076 H1	CLAMP, TUBE	2
12	1310 077 H1	TUBE, WATER TRANSFER	1
13	1310 078 H1	TUBE, WATER TRANSFER	1
14	1239 902 H1	NUT (3/8-16 UNC)	2
15	1246 352 H1	HOSE, PLAIN	3



**WA600-3 S/N A52001-UP
A1203-A6A1 TURBOCHARGER**

ITEM NO.	PART NO.	DESCRIPTION	Q'TY
	6731-81-8280	TURBOCHARGER ASSEMBLY	1
1	6560-51-7710	· SEAL, O-RING	1
2	1307 986 H1	· GASKET, TURBOCHARGER	1
3	6215-51-7230	· GASKET, CONNECTION	1
	(NSS)	· TURBOCHARGER	1
4	6736-81-8230	· · SEAL, RECTANGULAR RING	1
5	6733-81-8650	· · WASHER, PLAIN	4
6	6736-81-8480	· · SCREW, DRIVE	2
7	6216-84-8230	· · NUT, LOCK	1
8	1241 388 H2	· · COLLAR, THRUST	1
9	1241 389 H1	· · BEARING, TURBOCHARGER	2
10	1241 390 H1	· · RING, RETAINING	4
11	1241 393 H1	· · BOLT	8
12	6216-84-8250	· · SEAL, SPLIT RING	1
13	1241 399 H1	· · LOCKPLATE	4
14	1241 401 H1	· · SEAL, SPLIT RING	1
15	1241 404 H1	· · SLINGER, OIL	1
16	1241 405 H1	· · SHIM	1
17	1241 406 H1	· · BAFFLE, OIL	1
18	1241 409 H1	· · BOLT	4
19	(NSS)	· · DATAPLATE	1
20	6736-81-8510	· · NUT	1
21	1307 987 H1	· · DIFFUSER, TURBOCHARGER	1
22	1307 988 H1	· · CLAMP, V-BAND	1
23	1307 990 H1	· · SEAL, RECTANGULAR RING	1
24	1307 992 H2	· · IMPELLER, COMPRESSOR	1
25	1241 392 H1	· · SHAFT & WHEEL	1
26	1310 158 H1	· · SHIELD, TURBOCHARGER HEAT	1
27	6733-81-8480	· · PIN, ROLL	2
28	(NSS)	· · HOUSING, BEARING	1
29	1310 162 H1	· · BEARING, THRUST	1
	1310 992 H91	· · BAFFLE ASSEMBLY, TURBOCHARGER	1
30	1310 163 H1	· · · RING, RETAINING	1
31	(NSS)	· · · HOUSING, COMPRESSOR	1
32	1310 165 H1	· · · BAFFLE, TURBOCHARGER NOISE	1
33	1310 159 H1	· · HOUSING, TURBINE	1
	6735-21-4150	PLUG, THREADED	2
34	(NSS)	· PLUG, THREADED	1
35	6735-21-4160	· SEAL, O-RING	1
36	1267 649 H1	NUT	4
37	1307 984 H1	CLAMP, T-BOLT	2
38	1307 985 H1	HOSE, PLAIN	1
39	1310 155 H2	BOLT	4

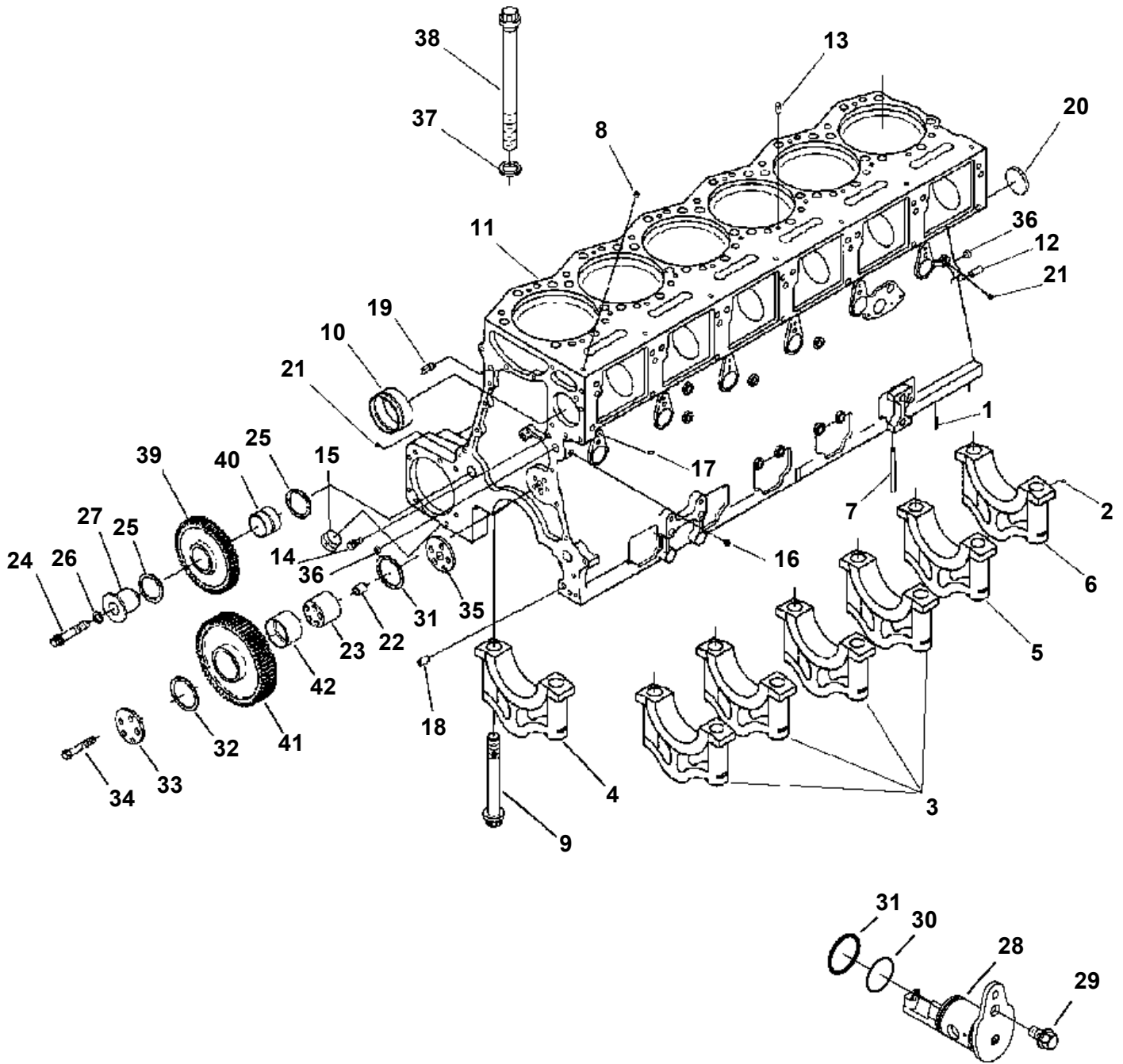


WA600-3 S/N A52001-UP
A2102-A6A1 CYLINDER BLOCK PLUMBING

ITEM NO.	PART NO.	DESCRIPTION	Q'TY
1	6742-01-1380	PLUG, EXPANSION	2
	6560-41-4100	PLUG, THREADED (9/16 - 18 UNF)	4
2	6560-51-7710	· SEAL, O-RING	4
3	(NSS)	· PLUG, THREADED	4
	1307 354 H91	PLUG, THREADED (1 5/8 - 12 UN)	1
4	1307 353 H1	· SEAL, O-RING	1
5	(NSS)	· PLUG, THREADED	1
	1295 576 H91	PLUG, THREADED (3/8 - 24 UNF)	2
6	1239 669 H1	· SEAL, O-RING	1
7	(NSS)	· PLUG, THREADED	1
8	1307 719 H1	PLUG, EXPANSION	2

FIG A2103-A6A1

A2103-A6A1 CYLINDER BLOCK



**WA600-3 S/N A52001-UP
A2103-A6A1 CYLINDER BLOCK**

ITEM NO.	PART NO.	DESCRIPTION	Q'TY
	1307 697 H91	CYLINDER BLOCK ASSEMBLY	1
	(NSS)	· BLOCK, CYLINDER	1
1	1239 999 H1	· · DOWEL, REAR MAIN BEARING	2
2	1238 230 H1	· · DOWEL	2
3	1238 651 H1	· · CAP, MAIN BEARING (#2,3,4 & 5)	4
4	1238 652 H1	· · CAP, MAIN BEARING (#1)	1
5	1238 653 H1	· · CAP, MAIN BEARING (#6)	1
6	1238 661 H1	· · CAP, MAIN BEARING (#7)	1
7	1307 699 H1	· · TUBE, OIL TRANSFER	1
8	1239 144 H1	· · PLUG, EXPANSION	7
	1250 682 H91	· · KIT, MAIN BEARING CAP REPAIR	14
	1241 332 H1	· · · WASHER, PLAIN	1
9	(NSS)	· · · BOLT	1
10	1307 700 H1	· · BUSHING	7
11	(NSS)	· · BLOCK, CYLINDER	1
12	1239 975 H1	· · DOWEL, FLYWHEEL HOUSING	2
13	1240 019 H1	· · PIN, GROOVE	12
14	1239 321 H1	· · BOLT (3/8-16x1 3/64 IN)	16
15	1307 354 H91	· · PLUG, THREADED	1
	1307 353 H1	· · · SEAL, O-RING	1
16	6560-41-4100	· · PLUG, THREADED	4
	6560-51-7710	· · · SEAL, O-RING	1
17	1240 038 H1	· · DOWEL, PIN	6
18	1240 053 H1	· · DOWEL, PIN	1
19	1238 152 H1	· · DOWEL, DIAMOND	1
20	6742-01-1380	· · PLUG, EXPANSION	2
21	1295 576 H91	· · PLUG, THREADED	2
	1239 669 H1	· · · SEAL, O-RING	1
	1307 716 H3	· · SHAFT, IDLER	1
22	(NSS)	· · · DOWEL, RING	1
23	(NSS)	· · · SHAFT, IDLER	1
24	1238 813 H1	· · BOLT (5/8-18x3 IN)	1
25	1238 259 H1	· · BEARING, THRUST	2
26	1239 884 H1	· · WASHER, PLAIN (5/8 IN)	1
27	1241 370 H1	· · SHAFT, IDLER	1
	1307 710 H91	· · PISTON, COOLING NOZZLE ASSEMBLY	6
28	1307 711 H2	· · · NOZZLE, PISTON COOLING	1
29	1307 402 H1	· · · BOLT (3/8-16x3/4 IN)	1
30	1307 712 H1	· · · SEAL, O-RING	1
31	1307 713 H1	· · · SEAL, SPLIT RING	1
32	1310 475 H1	· · BEARING, THRUST	2
33	1307 715 H1	· · RING, RETAINING	1
34	1307 717 H1	· · BOLT	5
35	1307 718 H1	· · PLATE, THRUST BEARING WEAR	1
36	1307 719 H1	· · PLUG, EXPANSION	2
37	1238 656 H1	· · WASHER, PLAIN (3/4 IN)	36
38	1307 720 H1	· · BOLT	36
	1307 721 H91	· IDLER GEAR ASSEMBLY	1
39	(NSS)	· · GEAR, IDLER	1
40	1239 091 H1	· · BUSHING	1
	1307 723 H91	· IDLER GEAR ASSEMBLY	1
41	(NSS)	· · GEAR, IDLER	1
42	1307 725 H1	· · BUSHING	1



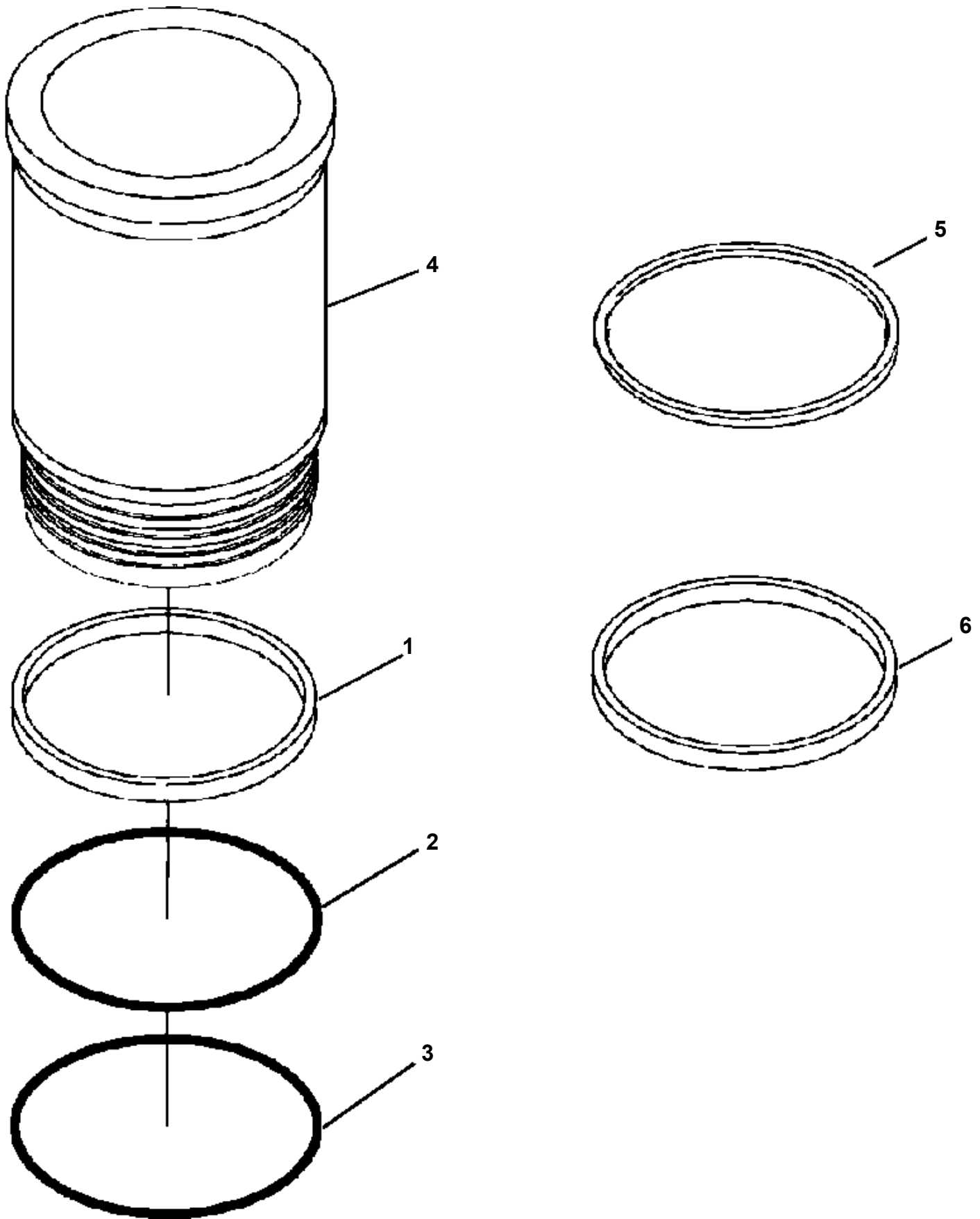
Suggest:

For more complete manuals. Please go to the home page.

<https://www.ebooklibonline.com>

If the above button click is invalid. Please download this document first, and then click the above link to download the complete manual.

Thank you so much for reading



**WA600-3 S/N A52001-UP
A2103-A6A2 CYLINDER LINER KIT**

ITEM NO.	PART NO.	DESCRIPTION	Q'TY
	1316 769 H91 (NSS)	LINER KIT, CYLINDER	6
1	1238 667 H2	· PDC KIT	1
2	1239 236 H1	· · SEAL, OIL	1
3	1239 317 H1	· · SEAL, D-RING	1
4	(NSS)	· · SEAL, D-RING	1
5	1307 728 H1	· LINER, CYLINDER	1
6	1315 285 H1	· RING, LINER SEAL	1
		· SEAL, RECTANGULAR RING	1

<https://www.ebooklibonline.com>

Hello dear friend!

Thank you very much for reading.

Enter the link into your browser.

The full manual is available for immediate download.

<https://www.ebooklibonline.com>