

WA500-7 S/N A94001-UP
WA500-7 S/N A94001-UP

DESCRIPTION

ENGINE
ENGINE RELATED PARTS
COOLING SYSTEM
FUEL TANK AND RELATED PARTS
ELECTRICAL SYSTEM
POWER TRAIN AND FINAL DRIVE
HYDRAULIC SYSTEM
MAIN/REVOLVING FRAME AND RELATED PARTS
OPERATOR\rd5 S COMPARTMENT AND CONTROL SYSTEM
GUARD
SUSPENSION AND WHEEL RELATED PARTS
WORK EQUIPMENT
MARKS AND PLATES
ACCESSORY

ENGINE

DESCRIPTION

CYLINDER HEAD
 ROCKER LEVER
 ROCKER ARM ASSEMBLY
 CYLINDER HEAD COVER
 KOMATSU CLOSED CRANKCASE VENTILATOR (KCCV) BREATHER
 KOMATSU CLOSED CRANKCASE VENTILATOR (KCCV) DRAIN PIPING
 KOMATSU CLOSED CRANKCASE VENTILATOR (KCCV) VENTILATOR LINES
 KOMATSU CLOSED CRANKCASE VENTILATOR (KCCV) COOLANT PIPING
 KOMATSU VARIABLE GEOMETRY TURBOCHARGER (KVG) OIL PIPING
 KOMATSU VARIABLE GEOMETRY TURBOCHARGER (KVG) COOLANT PIPING
 KOMATSU VARIABLE GEOMETRY TURBOCHARGER (KVG)
 AIR TRANSFER CONNECTION
 AIR INTAKE MANIFOLD
 EXHAUST MANIFOLD
 EXHAUST GAS RECIRCULATION (EGR) VALVE VALVE AND COOLER MOUNTING
 EXHAUST GAS RECIRCULATION (EGR) VALVE COOLER PIPING AND AIR VENT
 EXHAUST GAS RECIRCULATION (EGR) VALVE
 EXHAUST GAS RECIRCULATION (EGR) VALVE MOUNTING
 EXHAUST GAS RECIRCULATION (EGR) VALVE OIL PUMP
 EXHAUST GAS RECIRCULATION (EGR) VALVE COOLANT PIPING
 EXHAUST GAS RECIRCULATION (EGR) VALVE OIL PUMP LUBRICATOR
 EXHAUST GAS RECIRCULATION (EGR) VALVE LUBRICATING OIL PIPING
 KOMATSU DIESEL PARTICULATE FILTER (KDPF) PIPING
 KOMATSU DIESEL PARTICULATE FILTER (KDPF) MOUNTING
 KOMATSU DIESEL PARTICULATE FILTER (KDPF)
 KOMATSU DIESEL PARTICULATE FILTER (KDPF) DRAIN PIPING
 CYLINDER BLOCK
 CYLINDER BLOCK ACCESSORY
 FRONT GEAR COVER MOUNTING
 FRONT GEAR COVER
 FRONT IDLER GEAR
 ENGINE OIL PAN
 CRANKSHAFT
 VIBRATION DAMPER
 CRANKSHAFT PULLEY
 CONNECTING ROD AND PISTON
 CAMSHAFT
 CAM FOLLOWER
 LUBRICATING OIL PUMP
 LUBRICATING OIL FILTER
 LUBRICATING OIL COOLER
 FUEL SYSTEM ACCESSORIES
 FUEL RETURN
 FUEL FILTER PIPING
 FUEL FILTER AIR VENT
 PRIMING PUMP
 FUEL PRE-FILTER
 FUEL FILTER
 FUEL INJECTION PIPING
 FUEL INJECTION MOUNTING
 FUEL INJECTION NOZZLE
 FUEL INJECTION PUMP
 FUEL INJECTION PUMP PIPING
 FUEL INJECTION PUMP DRIVE
 COMMON RAIL
 ENGINE CONTROL MODULE
 TIMER SWITCH
 WATER PUMP
 THERMOSTAT AND HOUSING
 WATER PUMP AIR VENT
 ALTERNATOR DRIVE PULLEY
 STARTING MOTOR MOUNTING
 ALTERNATOR
 STARTING MOTOR 11 KW
 ENGINE HEAT SHIELDS
 ENGINE WIRING HARNESS (1/4)

WA500-7 S/N A94001-UP

ENGINE

DESCRIPTION

ENGINE WIRING HARNESS (2/4)
ENGINE WIRING HARNESS (3/4)
ENGINE WIRING HARNESS (4/4)
FREON COMPRESSOR
FLYWHEEL HOUSING
FLYWHEEL
ENGINE SUPPORT BRACKET
ENGINE ASSEMBLY
ENGINE DATAPLATE

<https://www.ebooklibonline.com>

Hello dear friend!

Thank you very much for reading.

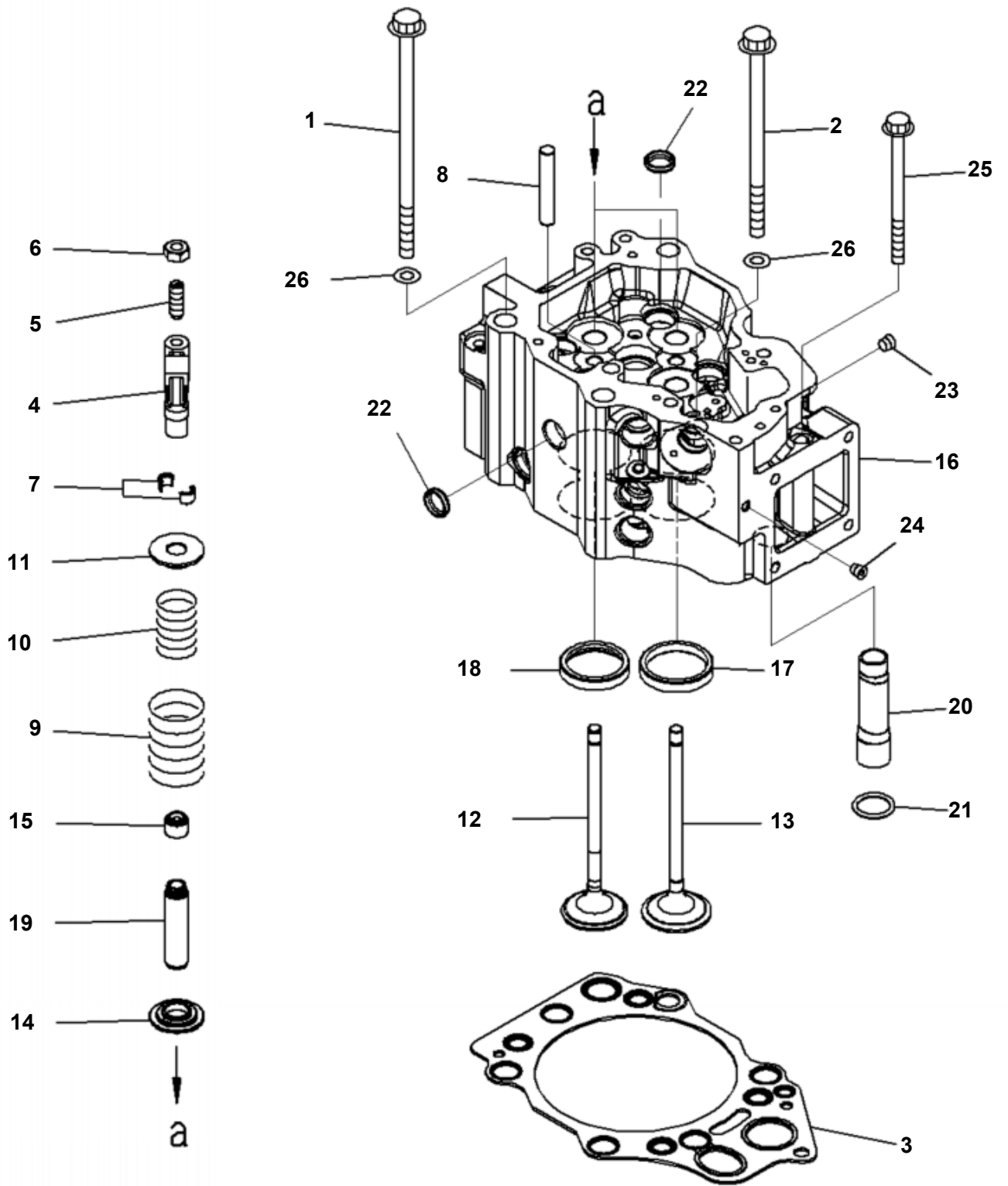
Enter the link into your browser.

The full manual is available for immediate download.

<https://www.ebooklibonline.com>

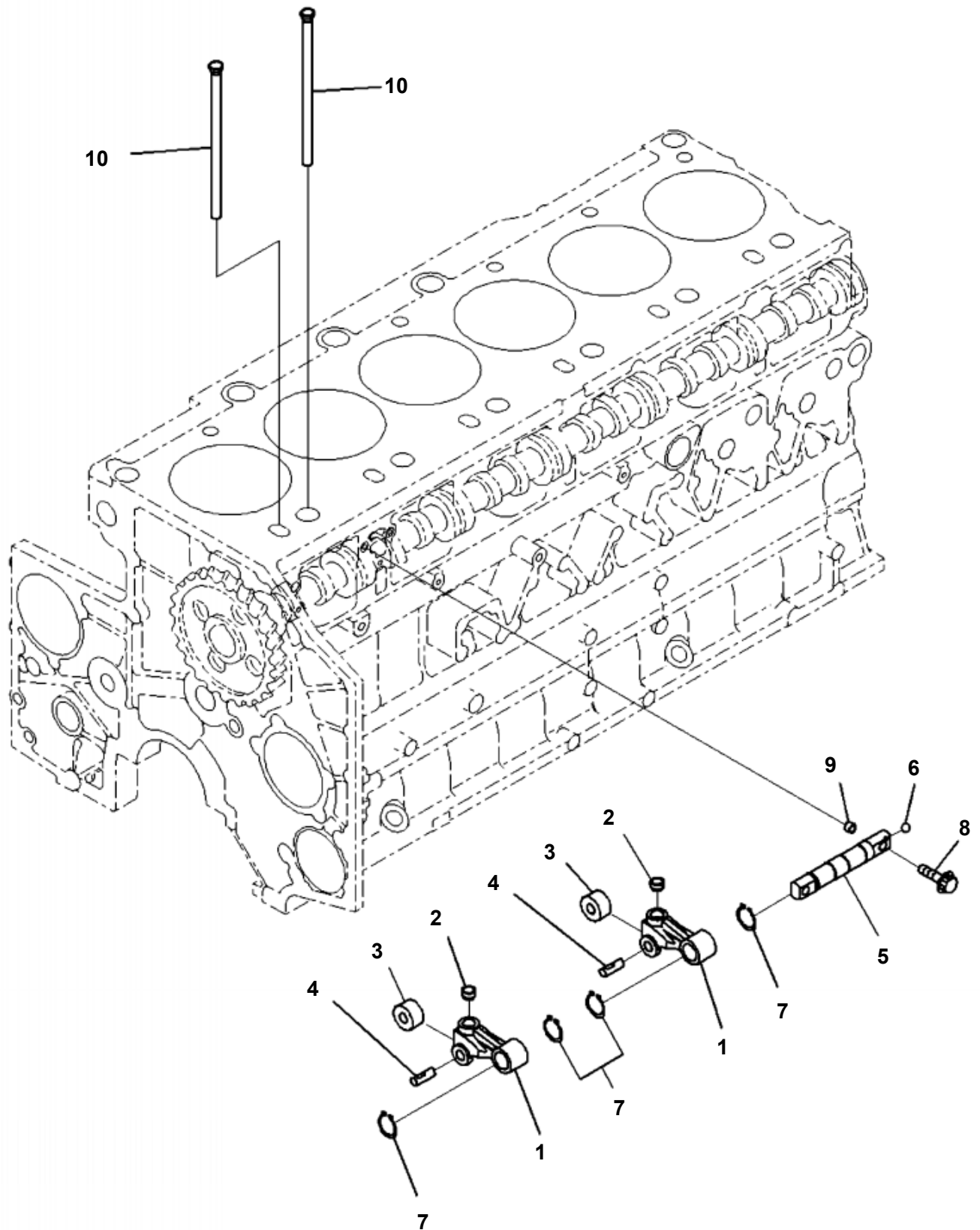
FIG A1103-A2A3

A1103-A2A3 CYLINDER HEAD



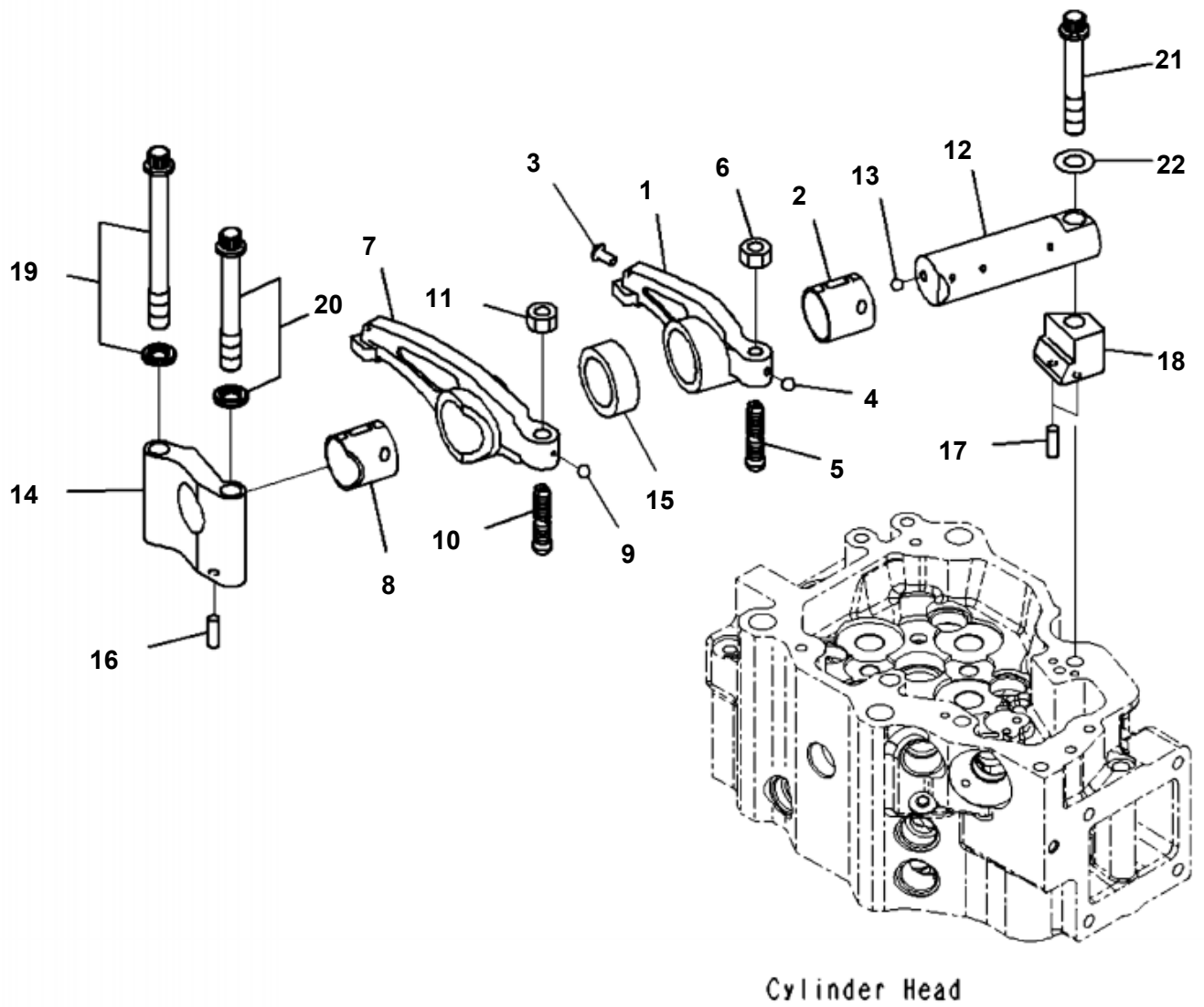
**WA500-7 S/N A94001-UP
A1103-A2A3 CYLINDER HEAD**

ITEM NO.	PART NO.	DESCRIPTION	Q'TY
1	6217-11-1610	BOLT	18
2	6217-11-1620	BOLT	18
3	6210-17-1814	GASKET, HEAD (STANDARD)	6
	6210-11-1820	· GROMMET, OIL (STANDARD)	1
	6210-19-1820	· GROMMET, OIL (OVERSIZE 0.40 MM)	1
	6210-11-1831	· GROMMET, OIL (STANDARD)	1
	6210-19-1831	· GROMMET, OIL (OVERSIZE 0.40 MM)	1
	6210-11-1840	· GROMMET, OIL (STANDARD)	1
	6210-19-1840	· GROMMET, OIL (OVERSIZE 0.40 MM)	1
	6210-11-1962	· GROMMET, WATER (STANDARD)	1
	6210-19-1962	· GROMMET, WATER (OVERSIZE 0.40 MM)	1
	(NSS)	· GROMMET, WATER (STANDARD)	4
	(NSS)	· GROMMET, WATER (OVERSIZE 0.40 MM)	4
	6210-11-1940	· GROMMET, WATER (STANDARD)	4
	6210-11-1940	· GROMMET, WATER (STANDARD)	4
4	6210-41-5620	CROSSHEAD	12
5	6210-41-5641	SCREW	12
6	6162-43-5630	NUT, LOCK	12
7	6136-41-4520	COTTER	48
8	6210-11-1140	GUIDE	12
9	6210-41-4430	SPRING	24
10	6210-41-4440	SPRING	24
11	6210-41-4510	SEAT	24
12	6215-41-4220	VALVE, EXHAUST	12
13	6217-41-4110	VALVE, INTAKE	12
14	6217-41-4531	SEAT	24
15	6217-41-4540	SEAL	24
	6261-11-1300	HEAD ASSEMBLY, CYLINDER	6
16	(NSS)	· HEAD	1
17	6261-11-1380	· INSERT, INTAKE VALVE (STANDARD)	2
	6261-19-1380	· INSERT, INTAKE VALVE (OVERSIZE 0.25 MM)	2
	6261-18-1380	· INSERT, INTAKE VALVE (OVERSIZE 0.50 MM)	2
	6261-17-1380	· INSERT, INTAKE VALVE (OVERSIZE 0.75 MM)	2
	6261-16-1380	· INSERT, INTAKE VALVE (OVERSIZE 1.00 MM)	2
18	6217-11-1321	· INSERT, EXHAUST VALVE (STANDARD)	2
	6217-19-1321	· INSERT, EXHAUST VALVE (OVERSIZE 0.25 MM)	2
	6217-18-1321	· INSERT, EXHAUST VALVE (OVERSIZE 0.50 MM)	2
	6217-17-1321	· INSERT, EXHUAST VALVE (OVERSIZE 0.75 MM)	2
	6217-16-1321	· INSERT, EXHUAST VALVE (OVERSIZE 1.00 MM)	2
19	6217-16-1440	· GUIDE, VALVE	4
20	6210-11-1150	· PIPE	1
21	07000-73025	· O-RING	1
22	6162-13-1150	· PLUG, EXPANSION	13
23	07043-50108	· PLUG, TAPER	1
24	708-21-12541	· PLUG	2
25	01438-01020	BOLT	6
26	01643-51645	WASHER	36



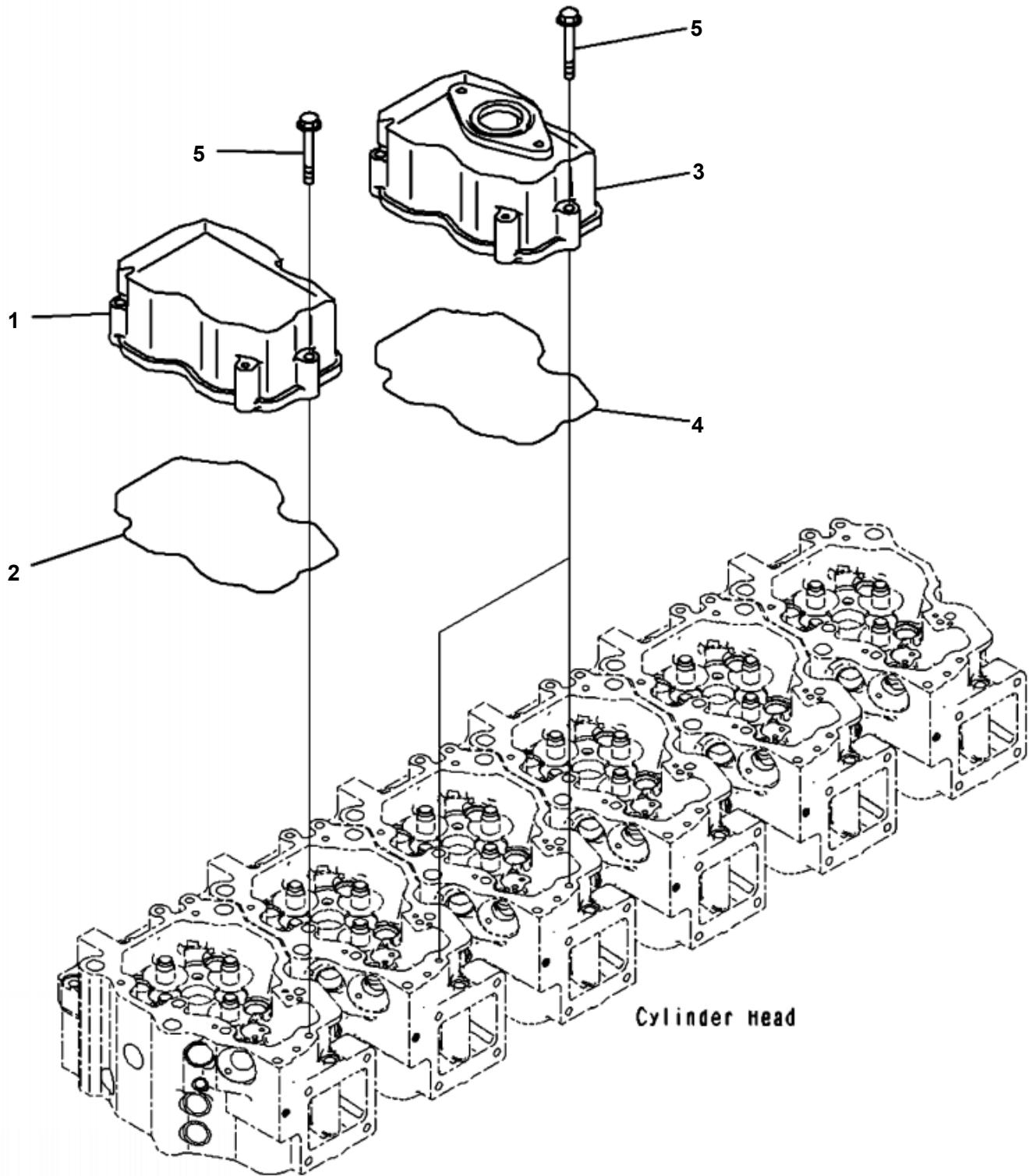
**WA500-7 S/N A94001-UP
A1109-A2A4 ROCKER LEVER**

ITEM NO.	PART NO.	DESCRIPTION	Q'TY
	6210-41-2320	LEVER ASSEMBLY, ROCKER	12
1	(NSS)	· LEVER	1
2	(NSS)	· SOCKET	1
3	(NSS)	· ROLLER	1
4	(NSS)	· PIN	1
	6210-41-2400	SHAFT ASSEMBLY	6
5	(NSS)	· SHAFT	1
6	6150-81-8420	· BALL	1
7	04064-02212	RING, SNAP	24
8	6210-41-2450	BOLT	12
9	6150-41-2430	PIN	12
10	6210-41-3120	ROD, PUSH	12



WA500-7 S/N A94001-UP
A1109-A2A5 ROCKER ARM ASSEMBLY

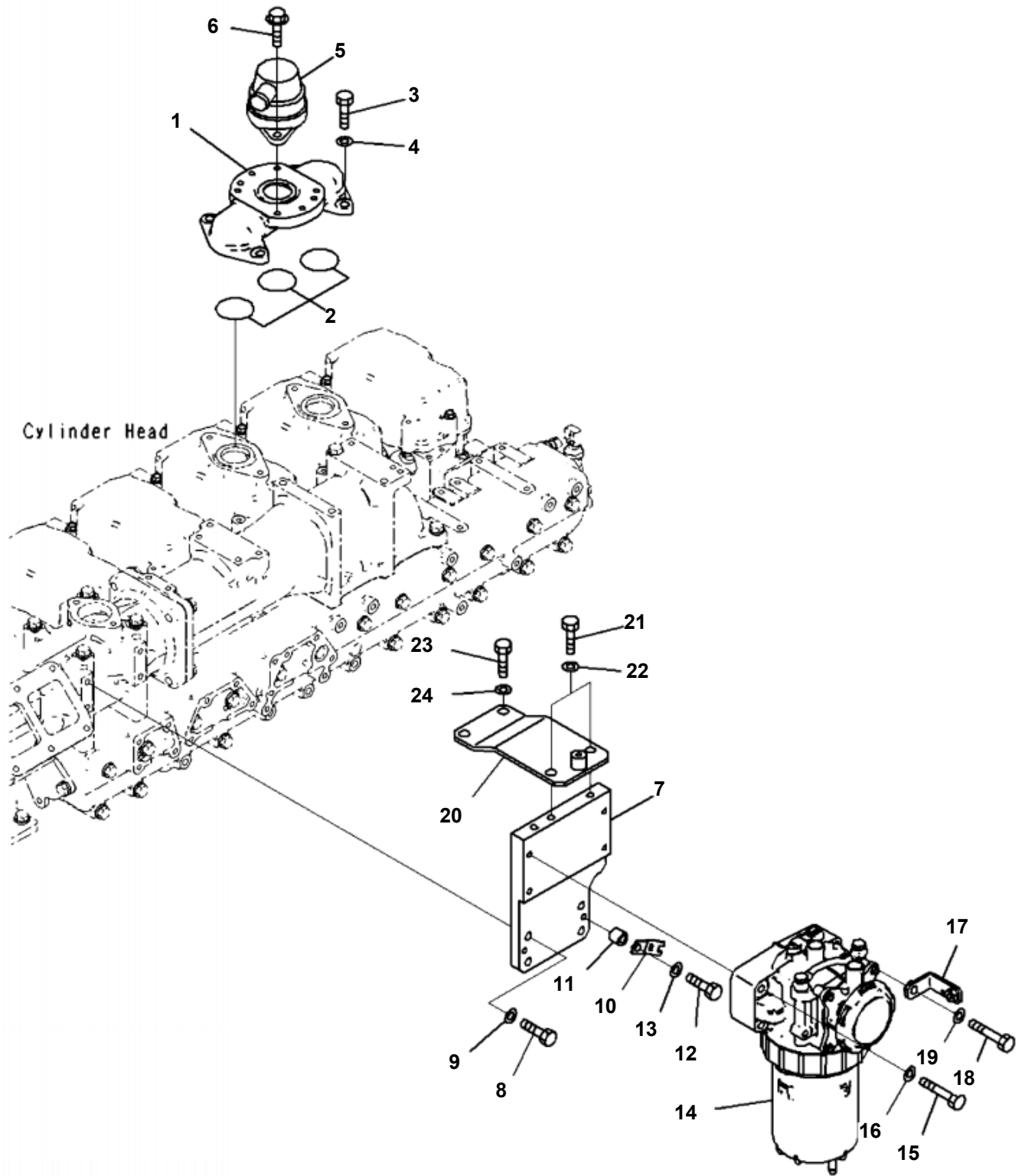
ITEM NO.	PART NO.	DESCRIPTION	Q'TY
	6261-41-5040	ARM ASSEMBLY, ROCKER	6
	6261-41-5400	· ARM ASSEMBLY	1
1	(NSS)	· · ARM	1
2	6261-41-5420	· · BUSHING	1
3	6162-43-5340	· · RIVET	1
4	04260-00317	· · BALL, STEEL	1
5	6217-41-5550	· SCREW	1
6	01582-01008	· NUT	1
	6261-41-5050	ARM ASSEMBLY, ROCKER	6
	6261-41-5500	· ARM ASSEMBLY	1
7	(NSS)	· · ARM	1
8	6261-41-5520	· · BUSHING	1
9	04260-00317	· · BALL, STEEL	1
10	6217-41-5550	· SCREW	1
11	01582-01008	· NUT	1
	6934-42-5300	SHAFT ASSEMBLY	6
12	(NSS)	· SHAFT	1
13	04260-00635	· BALL, STEEL	1
14	6261-41-5530	BRACKET	6
15	6210-41-5440	COLLAR	6
16	04020-00514	PIN, DOWEL	6
17	04020-00514	PIN, DOWEL	12
18	6217-41-5540	SPACER	6
19	6217-41-5570	BOLT	6
20	6217-41-5560	BOLT	6
21	6217-81-8311	BOLT	6
22	01643-51232	WASHER	6



WA500-7 S/N A94001-UP
A1112-A2A8 CYLINDER HEAD COVER

ITEM NO.	PART NO.	DESCRIPTION	Q'TY
1	6217-11-8110	COVER	4
2	6217-11-8830	GASKET	4
3	6262-11-8110	COVER	2
4	6217-11-8830	GASKET	2
5	01435-00855	BOLT	18

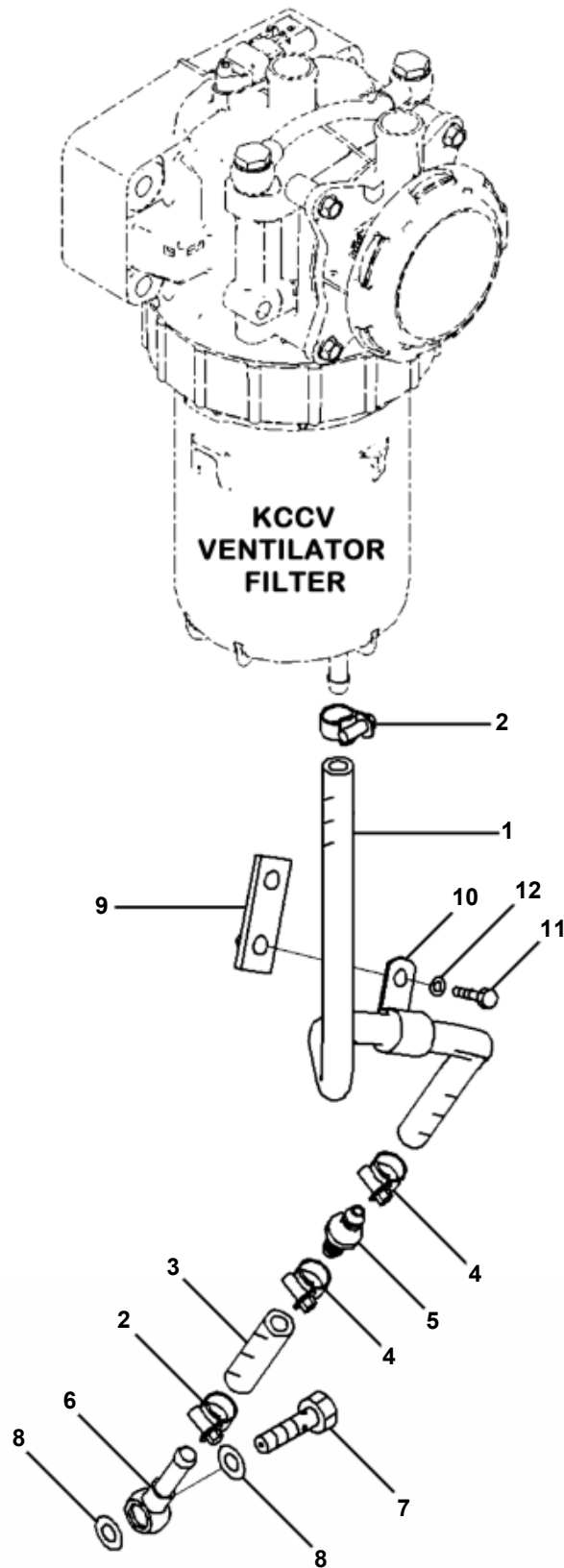
FIG A1117-A2A2 A1117-A2A2 KOMATSU CLOSED CRANKCASE VENTILATOR (KCCV) BREATHER



A1117-A2A2 KOMATSU CLOSED CRANKCASE VENTILATOR (KCCV) BREATHER

ITEM NO.	PART NO.	DESCRIPTION	Q'TY
1	6262-21-7510	CONNECTOR	1
2	07000-72060	O-RING	3
3	01010-81035	BOLT	4
4	01643-31032	WASHER	4
5	6212-25-8710	BREATHER	1
6	01435-01025	BOLT	2
7	6262-11-2330	PLATE	1
8	01010-81035	BOLT	4
9	01643-31032	WASHER	4
10	6218-81-8430	CLAMP	1
11	6631-11-5630	SPACER	1
12	01010-81035	BOLT	1
13	01643-31032	WASHER	1
14	600-331-1110	FILTER, VENTILATOR	1
N/I	600-331-1900	- ELEMENT KIT, VENTILATOR	1
15	01010-81070	BOLT	3
16	01643-31032	WASHER	3
17	6262-81-8560	BRACKET	1
18	01010-81080	BOLT	1
19	01643-31032	WASHER	1
20	6262-11-2340	BRACKET	1
21	01010-81225	BOLT	2
22	01643-31232	WASHER	2
23	01010-81235	BOLT	1
24	01643-31232	WASHER	1

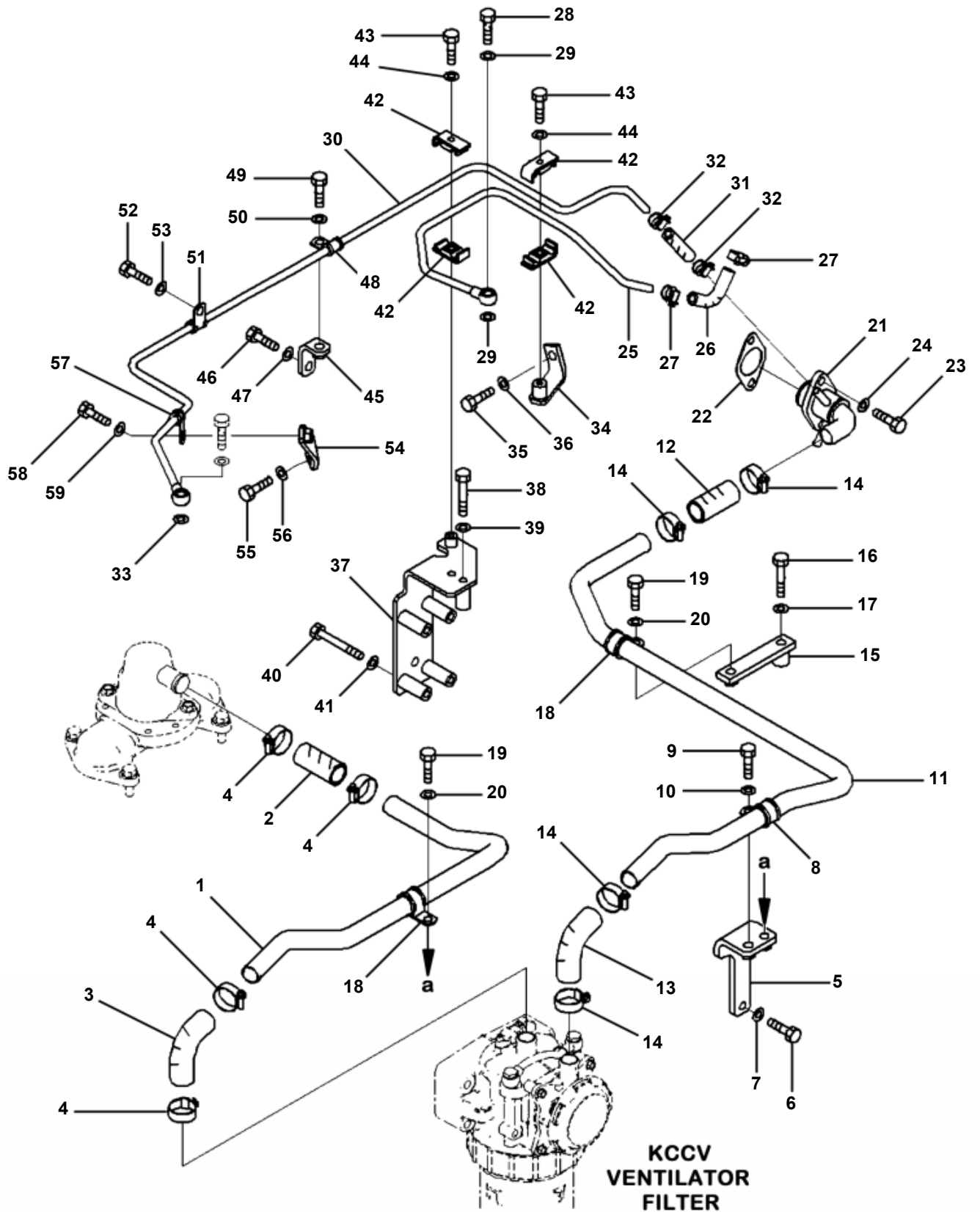
FIG A1117-A2A3 A1117-A2A3 KOMATSU CLOSED CRANKCASE VENTILATOR (KCCV) DRAIN PIPING



WA500-7 S/N A94001-UP
A1117-A2A3 KOMATSU CLOSED CRANKCASE VENTILATOR (KCCV) DRAIN
PIPING

ITEM NO.	PART NO.	DESCRIPTION	Q'TY
1	6262-21-7830	HOSE	1
2	07281-00197	CLAMP	2
3	6262-21-7810	HOSE	1
4	07281-00197	CLAMP	2
5	6261-51-2810	VALVE, CHECK	1
6	6141-71-1710	JOINT	1
7	07206-31014	BOLT, JOINT	1
8	07005-01412	GASKET	2
9	6262-11-2980	PLATE	1
10	600-051-1160	CLIP	1
11	01010-80820	BOLT	2
12	01643-30823	WASHER	2

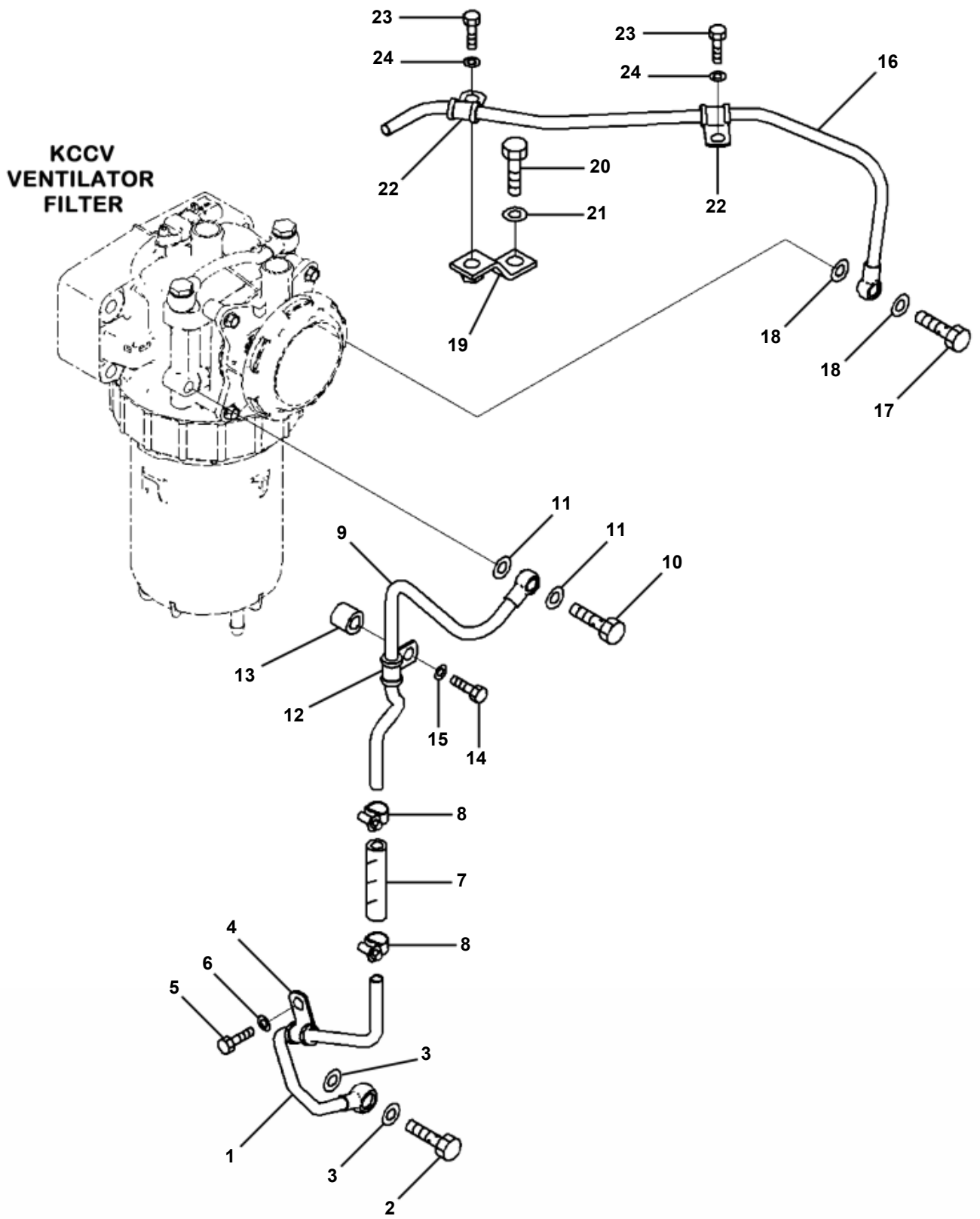
FIG A1117-A2A4 A1117-A2A4 KOMATSU CLOSED CRANKCASE VENTILATOR (KCCV) VENTILATOR LINES



WA500-7 S/N A94001-UP
A1117-A2A4 KOMATSU CLOSED CRANKCASE VENTILATOR (KCCV)
VENTILATOR LINES

ITEM NO.	PART NO.	DESCRIPTION	Q'TY
1	6262-11-2410	TUBE	1
2	6252-21-7670	HOSE	1
3	6252-21-7160	HOSE	1
4	07281-00419	CLAMP, HOSE	4
5	6262-11-2440	BRACKET	1
6	01010-81025	BOLT	1
7	01643-31032	WASHER	1
8	6252-71-5780	CLIP	1
9	01010-81025	BOLT	1
10	01643-31032	WASHER	1
11	6262-11-2420	TUBE	1
12	6252-21-7670	HOSE	1
13	6252-21-7160	HOSE	1
14	07281-00419	CLAMP, HOSE	4
15	6262-11-2430	BRACKET	1
16	01010-81050	BOLT	1
17	01643-31032	WASHER	1
18	6252-71-5780	CLIP	2
19	01010-81025	BOLT	2
20	01643-31032	WASHER	2
21	6262-11-6850	CONNECTOR	1
22	6252-21-7290	GASKET	1
23	01010-81030	BOLT	2
24	01643-31032	WASHER	2
25	6262-11-6710	TUBE	1
26	6262-11-6860	HOSE	1
27	07281-00197	CLAMP	2
28	7700-45-1710	BOLT, JOINT	1
29	07005-01412	GASKET	2
30	6262-11-6720	TUBE	1
31	6262-11-6870	HOSE	1
32	07281-00197	CLAMP	2
33	07005-01412	GASKET	1
34	6262-11-6740	BRACKET	1
35	01010-81030	BOLT	1
36	01643-31032	WASHER	1
37	6262-11-6760	BRACKET	1
38	01010-80855	BOLT	1
39	01643-30823	WASHER	1
40	01010-80865	BOLT	4
41	01643-30823	WASHER	4
42	6166-75-6821	CLAMP, HALF	4
43	01010-80835	BOLT	2
44	01643-30823	WASHER	2
45	6262-11-6750	BRACKET	1
46	01010-81025	BOLT	1
47	01643-31032	WASHER	1
48	600-052-3100	CLIP	1
49	01010-81025	BOLT	1
50	01643-31032	WASHER	1
51	600-052-3100	CLIP	1
52	01010-81020	BOLT	1
53	01643-31032	WASHER	1
54	6262-11-6780	BRACKET	1
55	01010-E1025	BOLT	1
56	01643-31032	WASHER	1
57	600-052-3100	CLIP	1
58	01010-81025	BOLT	1
59	01643-31032	WASHER	1

FIG A1117-A2A5 A1117-A2A5 KOMATSU CLOSED CRANKCASE VENTILATOR (KCCV) COOLANT PIPING

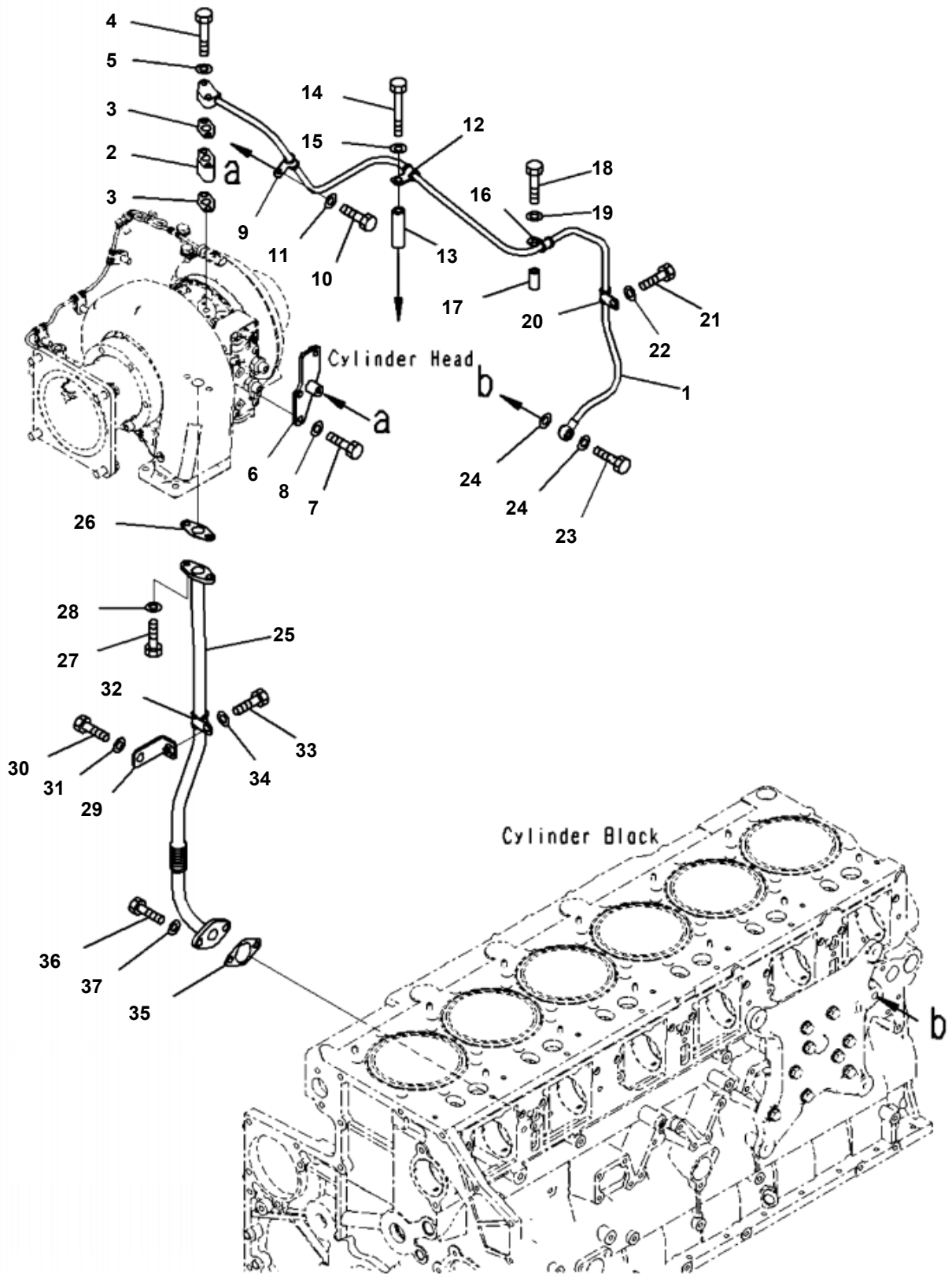


WA500-7 S/N A94001-UP
A1117-A2A5 KOMATSU CLOSED CRANKCASE VENTILATOR (KCCV) COOLANT
PIPING

ITEM NO.	PART NO.	DESCRIPTION	Q'TY
1	6262-11-2550	TUBE	1
2	07206-31014	BOLT, JOINT	1
3	07005-01412	GASKET	2
4	600-052-3100	CLIP	1
5	01010-81020	BOLT	1
6	01643-31032	WASHER	1
7	6262-11-6870	HOSE	1
8	07281-00197	CLAMP	2
9	6262-11-2560	TUBE	1
10	07206-30812	BOLT, JOINT	1
11	07005-01212	GASKET	2
12	600-052-3100	CLIP	1
13	6631-11-5630	SPACER	1
14	01010-81035	BOLT	1
15	01643-31032	WASHER	1
16	6262-11-2570	TUBE	1
17	07206-30812	BOLT, JOINT	1
18	07005-01212	GASLET	2
19	6262-11-2580	BRACKET	1
20	01010-81240	BOLT	1
21	01643-31232	WASHER	1
22	600-052-3100	CLIP	2
23	01010-81020	BOLT	2
24	01643-31032	WASHER	2

FIG A1120-A2A8

A1120-A2A8 KOMATSU VARIABLE GEOMETRY TURBOCHARGER (KVG) OIL PIPING

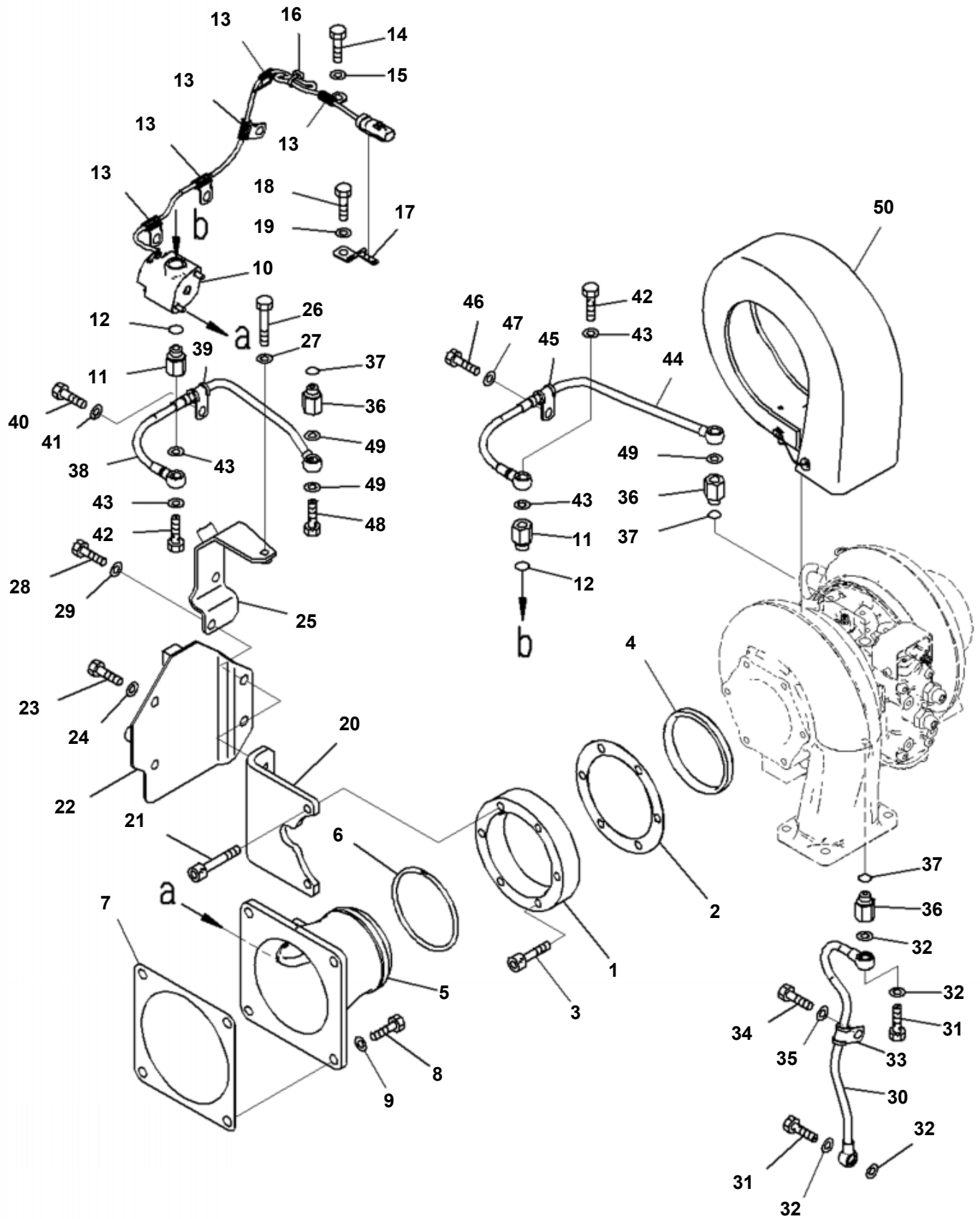


A1120-A2A8 KOMATSU VARIABLE GEOMETRY TURBOCHARGER (KVGT) OIL PIPING

ITEM NO.	PART NO.	DESCRIPTION	Q'TY
1	6262-51-8110	TUBE	1
2	6262-51-8120	SPACER	1
3	6221-51-8160	GASKET	2
4	01010-80860	BOLT	2
5	01643-30823	WASHER	2
6	6262-51-8180	BRACKET	1
7	01010-80820	BOLT	2
8	01643-30823	WASHER	2
9	600-052-1100	CLIP	1
10	01010-80820	BOLT	1
11	01643-30823	WASHER	1
12	600-052-3100	CLIP	1
13	6136-11-5120	SPACER	1
14	01010-81090	BOLT	1
15	01643-31032	WASHER	1
16	600-052-1100	CLIP	1
17	207-62-32890	COLLAR	1
18	01010-80850	BOLT	1
19	01643-30823	WASHER	1
20	600-052-3100	CLIP	1
21	01010-81020	BOLT	1
22	01643-31032	WASHER	1
23	07206-31014	BOLT, JOINT	1
24	07005-01412	GASKET	2
25	6262-51-8130	TUBE	1
26	6151-51-8721	GASKET	1
27	01010-80820	BOLT	2
28	01643-30823	WASHER	2
29	6262-51-8170	BRACKET	1
30	01010-81225	BOLT	1
31	01643-31232	WASHER	1
32	6252-71-5670	CLIP	1
33	01010-81020	BOLT	1
34	01643-31032	WASHER	1
35	6127-51-6822	GASKET	1
36	01010-81025	BOLT	2
37	01643-31032	WASHER	2

FIG A1120-A2A9

A1120-A2A9 KOMATSU VARIABLE GEOMETRY TURBOCHARGER (KVGT) COOLANT PIPING





Suggest:

For more complete manuals. Please go to the home page.

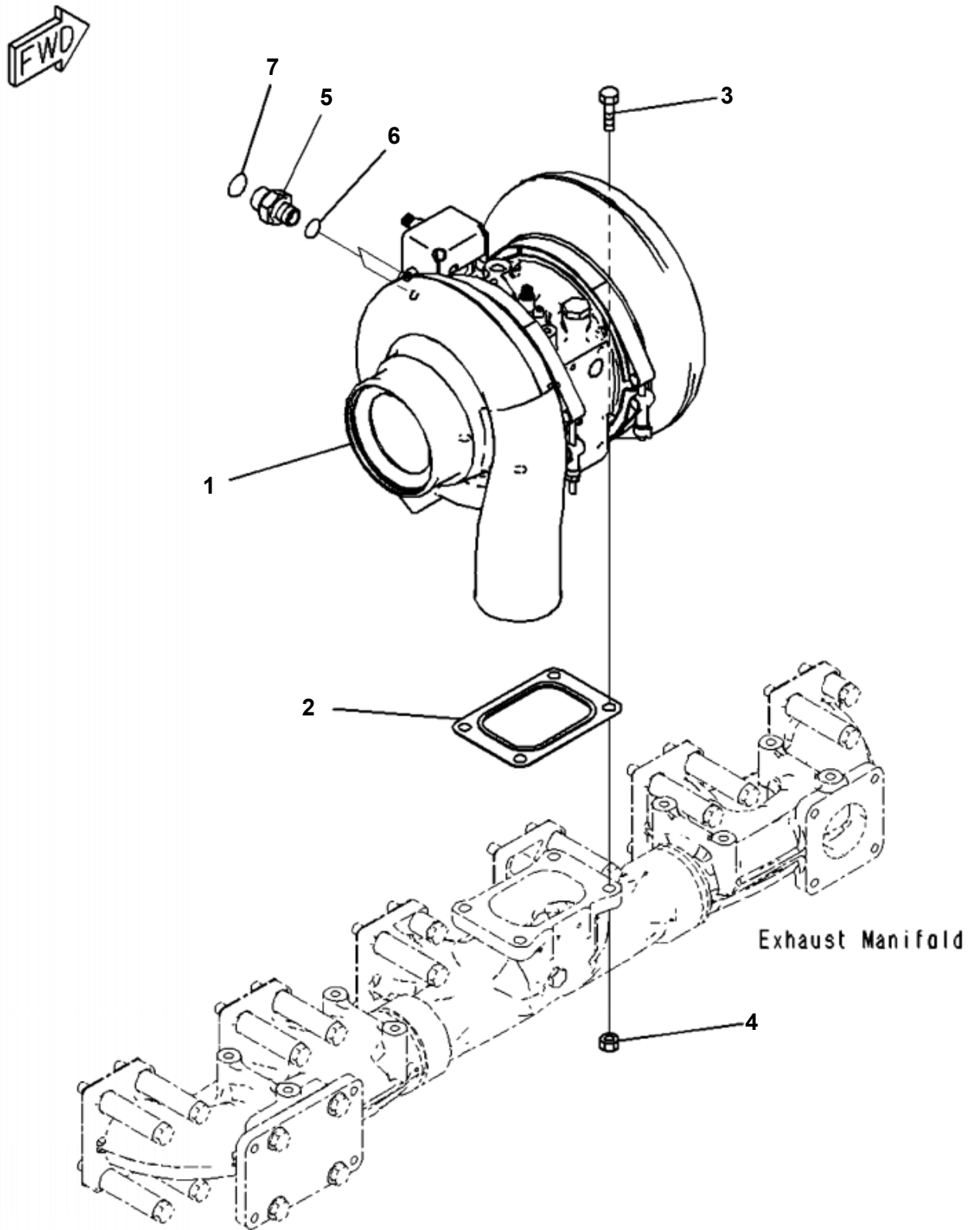
<https://www.ebooklibonline.com>

If the above button click is invalid. Please download this document first, and then click the above link to download the complete manual.

Thank you so much for reading

WA500-7 S/N A94001-UP
A1120-A2A9 KOMATSU VARIABLE GEOMETRY TURBOCHARGER (KVGT)
COOLANT PIPING

ITEM NO.	PART NO.	DESCRIPTION	Q'TY
1	6262-11-5410	RING	1
2	6212-11-5940	GASKET	1
3	6262-11-5970	BOLT	4
4	6262-11-5480	SEAL	1
5	6262-11-5440	CONNECTOR	1
6	6262-11-5470	SEAL RING	1
7	6262-11-5490	GASKET	1
8	01010-E1235	BOLT	4
9	01643-31232	WASHER	4
10	6520-71-1040	INJECTOR ASSEMBLY	1
11	6252-61-6340	NIPPLE	2
12	6252-61-6280	O-RING	2
13	6240-81-4431	CLIP	5
14	01010-81020	BOLT	5
15	01643-31032	WASHER	5
16	6218-81-8480	BAND	1
17	6252-81-9640	CLIP	1
18	01010-81020	BOLT	1
19	01643-31032	WASHER	1
20	6262-61-9580	BRACKET	1
21	6262-11-5980	BOLT	2
22	6262-61-9590	COVER	1
23	01010-81020	BOLT	3
24	01643-31032	WASHER	3
25	6262-71-7570	BRACKET	1
26	01010-80860	BOLT	1
27	01643-30823	WASHER	1
28	01010-81025	BOLT	1
29	01643-31032	WASHER	1
30	6262-61-8710	TUBE	1
31	07206-31014	BOLT, JOINT	2
32	07005-01412	GASKET	4
33	600-052-3100	CLIP	1
34	01010-81030	BOLT	1
35	01643-31032	WASHER	1
36	6162-73-4670	NIPPLE	3
37	6252-61-6270	O-RING	3
38	6262-61-9510	HOSE	1
39	600-052-3100	CLIP	1
40	01010-81020	BOLT	1
41	01643-31032	WASHER	1
42	07206-31014	BOLT, JOINT	2
43	07005-01412	GASKET	4
44	6262-61-9520	HOSE	1
45	600-052-3100	CLIP	1
46	01010-81020	BOLT	1
47	01643-31032	WASHER	1
48	07206-31014	BOLT, JOINT	1
49	07005-01412	GASKET	3
50	6262-11-8430	COVER	1



<https://www.ebooklibonline.com>

Hello dear friend!

Thank you very much for reading.

Enter the link into your browser.

The full manual is available for immediate download.

<https://www.ebooklibonline.com>