

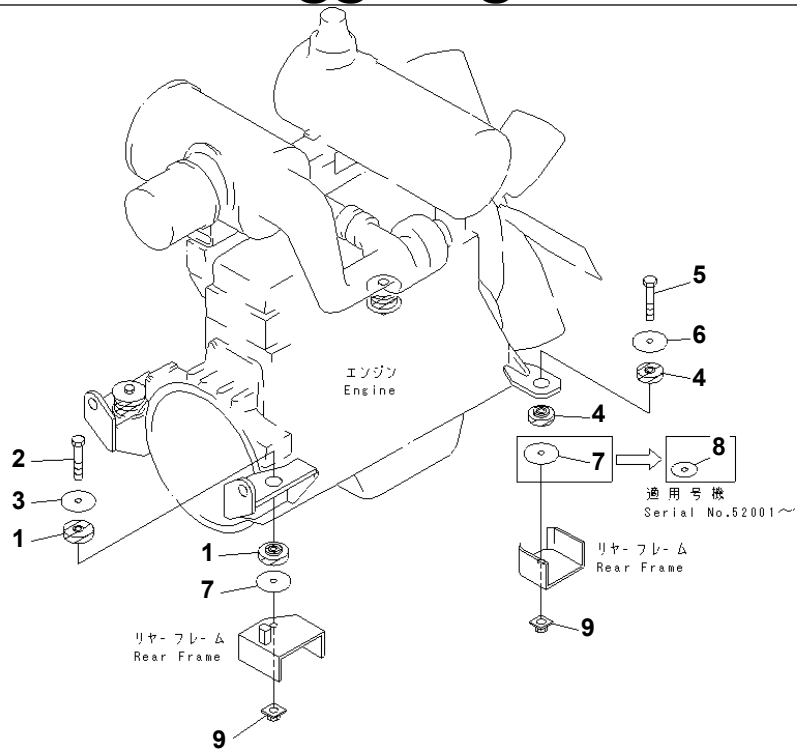
WA500-3 S/N 50001-UP
WA500-3 S/N 50001-UP

Item	Part Name
	SA6D140E-3E-7 S/N 110001-UP
	S6D140E-2A-6 S/N 22537-UP
B0	ENGINE RELATED PARTS
C0	COOLING SYSTEM
D0	FUEL TANK AND RELATED PARTS
E0	ELECTRICAL SYTEM
F0	TORQUE CONVERTER AND TRANSMISSION
H0	HYDRAULIC SYSTEM
J0	MAIN/REVOLVING FRAME AND RELATED PARTS
K0	OPERATOR'S COMPARTMENT AND CONTROL SYSTEM
M0	GUARD
S0	SUSPENSION AND WHEEL RELATED PARTS
T0	WORK EQUIPMENT
U0	MARKS AND PLATES
V0	ACCESSORY AND TOOL
Y0	SERVICE KIT AND COMPONENT PARTS

WA500-3 S/N 50001-UP
ENGINE RELATED PARTS

Item	Part Name	Qty
10	ENGINE MOUNTING	1
20	ENGINE (AIR INTAKE)(#52113-)	1
30	ENGINE (ENGINE CONTROL BRACKET) (FOR EC)	1
40	ENGINE (ENGINE CONTROL BRACKET) (EXCEPT JAPAN)	1
50	ENGINE (ENGINE CONTROL BRACKET) (WITH ELECTRICAL GOVERNOR)	1
60	ENGINE (DRAIN HOSE)(#50001-52000)	1
70	ENGINE (DRAIN HOSE)(#52001-)	1
80	EXHAUST SYSTEM(#50001-52000)	1
90	EXHAUST SYSTEM(#52001-)	1
100	EXHAUST SYSTEM	1
110	EXHAUST SYSTEM (SALTY RESISTANT SPEC.)	1
120	DAMPER	1

WA500-3 S/N 50001-UP
 @@2C050@



PJ2C050

Ref. B0100-01A0

Page 030010

WA500-3 S/N 50001-UP
 ENGINE MOUNTING

Item	Part No.	Part Name	Qty	Serial No.
1	425-01-11370	CUSHION	4	50001-
2	01011-62225	BOLT	2	50001-
3	424-01-11220	WASHER	2	50001-
4	425-01-11350	CUSHION	4	50001-
5	01011-62225	BOLT	2	50001-
6	419-01-11162	WASHER	2	52001-
	424-01-11220	WASHER	2	50001-52000
7	424-01-11220	WASHER	2	52001-
	424-01-11220	WASHER	4	50001-52000
8	419-01-11162	WASHER	2	52001-
9	425-01-11250	PLATE	4	50001-

<https://www.ebooklibonline.com>

Hello dear friend!

Thank you very much for reading.

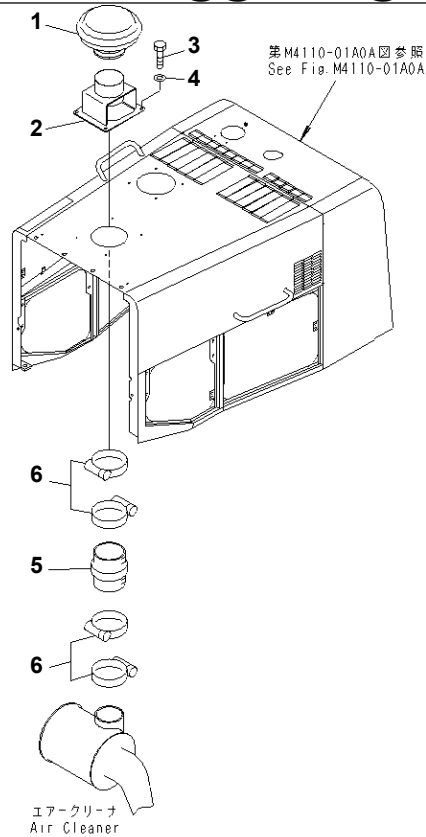
Enter the link into your browser.

The full manual is available for immediate download.

<https://www.ebooklibonline.com>

WA500-3 S/N 50001-UP

@@2D159@



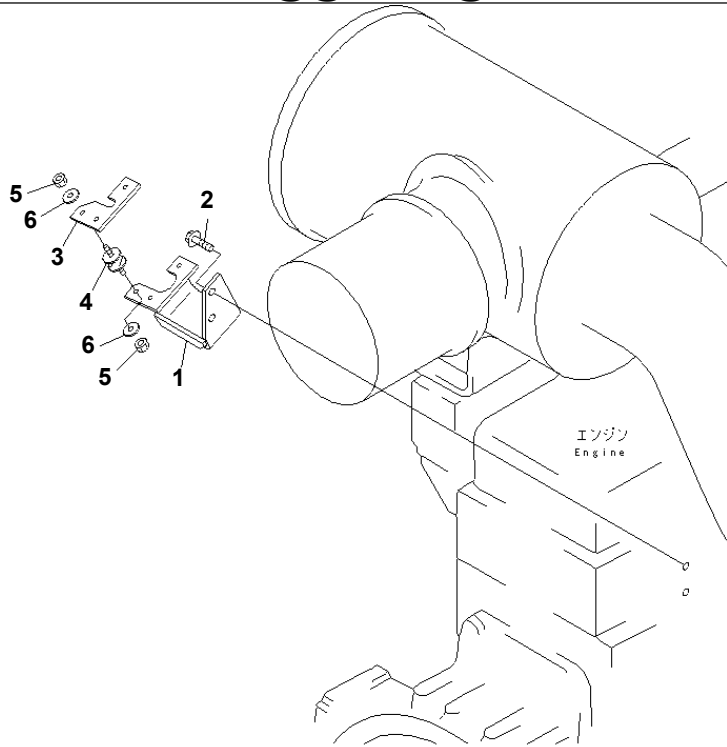
PJ2D159

Ref. B0110-01A0A

Page 030020

WA500-3 S/N 50001-UP
ENGINE (AIR INTAKE)(#52113-)

Item	Part No.	Part Name	Qty	Serial No.
1	600-181-3960	CAP	1	54001-
2	425-01-23410	BRACKET	1	54001-
3	01010-81225	BOLT	4	54001-
4	124-54-26540	WASHER	4	54001-
5	600-181-0680	HOSE	1	54001-
6	07281-02169	CLAMP	4	54001-



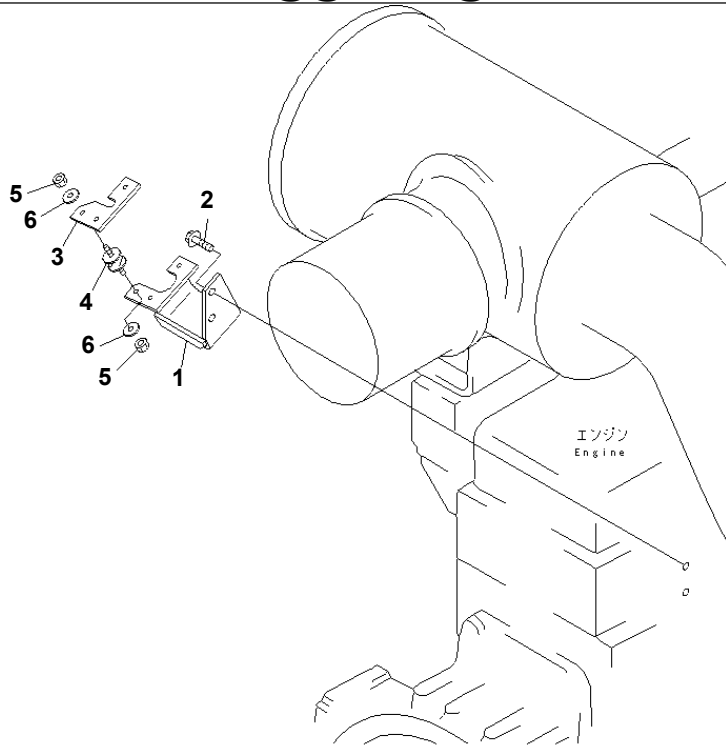
P.N.E.3.4.5.0

Ref. B0110-01A1

Page 030030

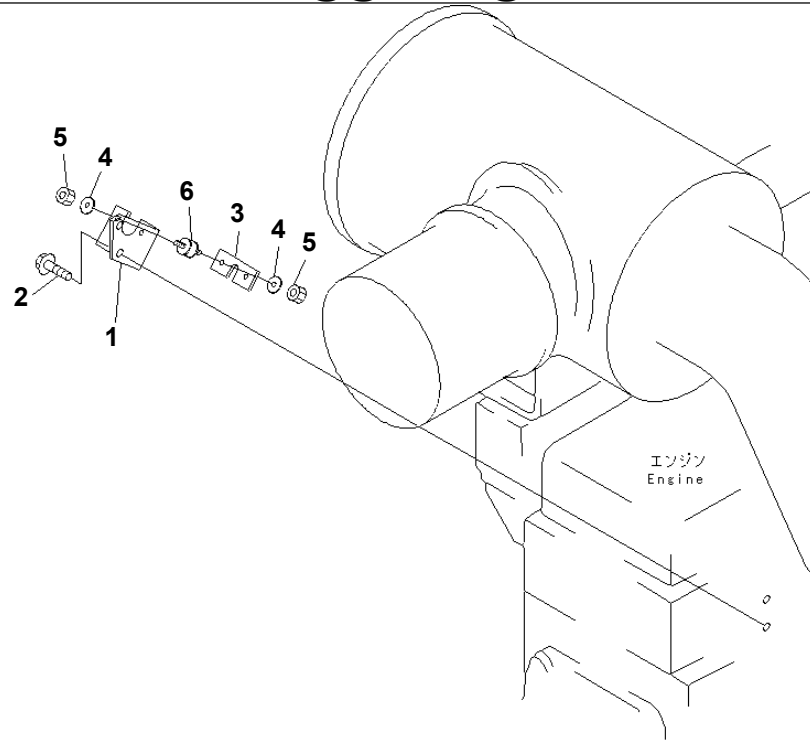
WA500-3 S/N 50001-UP
ENGINE (ENGINE CONTROL BRACKET) (FOR EC)

Item	Part No.	Part Name	Qty	Serial No.
1	425-43-21110	BRACKET	1	50001-
2	01435-01020	BOLT	2	50001-
3	425-43-21140	PLATE	1	50001-
4	424-43-11240	CUSHION	3	50001-
5	01580-10605	NUT	6	50001-
6	424-43-11250	WASHER	6	50001-



WA500-3 S/N 50001-UP
ENGINE (ENGINE CONTROL BRACKET) (EXCEPT JAPAN)

Item	Part No.	Part Name	Qty	Serial No.
1	425-43-21110	BRACKET	1	50001-
2	01435-01020	BOLT	2	50001-
3	425-43-21140	PLATE	1	50001-
4	424-43-11240	CUSHION	3	50001-
5	01580-10605	NUT	6	50001-
6	424-43-11250	WASHER	6	50001-



P.NE3726

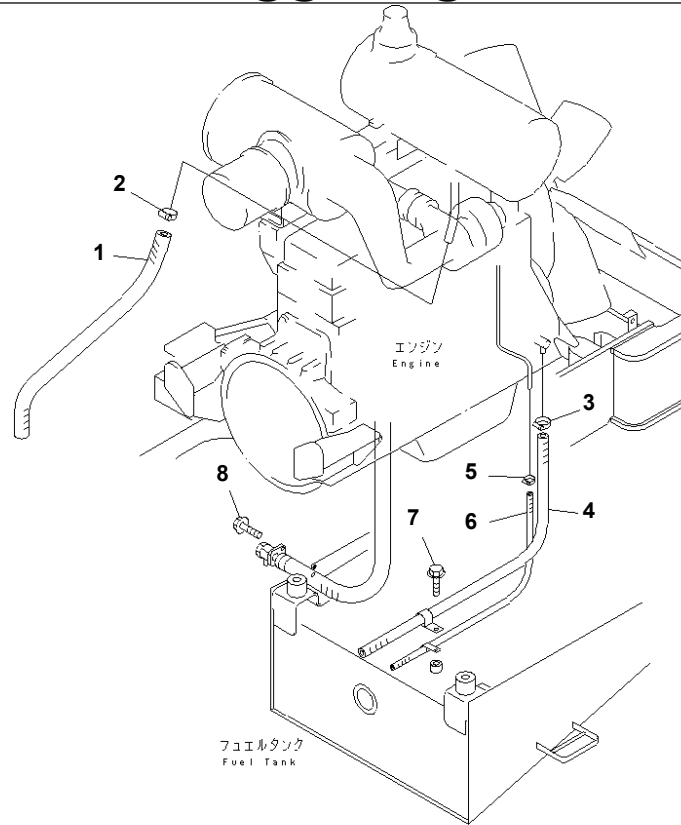
Ref. B0110-01A3

Page 030050

WA500-3 S/N 50001-UP
ENGINE (ENGINE CONTROL BRACKET) (WITH ELECTRICAL GOVERNOR)

Item	Part No.	Part Name	Qty	Serial No.
1	425-43-21121	PLATE	1	50001-
2	01435-01020	BOLT	2	50001-
3	421-43-21630	PLATE	1	50001-
4	01643-30623	WASHER	4	50001-
5	01580-10605	NUT	4	50001-
6	424-43-11240	CUSHION	2	50001-

WA500-3 S/N 50001-UP
 @@E3451@



P.N.E3.45.1

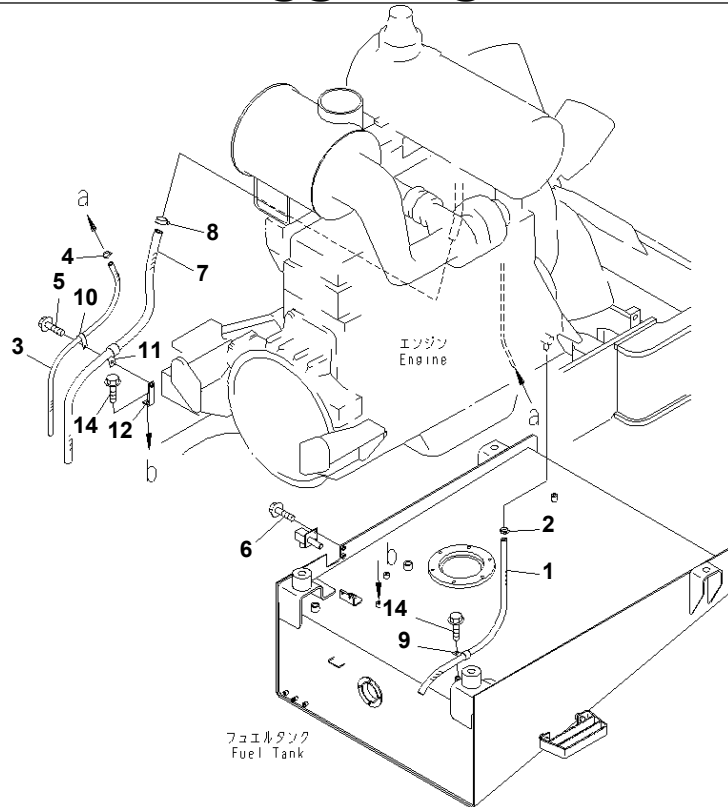
Ref. B0110-02A0

Page 030060

WA500-3 S/N 50001-UP
 ENGINE (DRAIN HOSE)(#50001-52000)

Item	Part No.	Part Name	Qty	Serial No.
1	07261-22013	HOSE	1	50001-52000
2	07280-03423	CLAMP	1	50001-52000
3	07280-02523	CLAMP	1	50001-52000
4	07260-21480	HOSE	1	50001-52000
5	07280-01620	CLAMP	1	50001-52000
6	07270-01070	TUBE	1	50001-52000
7	01435-01020	BOLT	1	50001-@
8	01435-01025	BOLT	2	50001-@

WA500-3 S/N 50001-UP
 @@2D160@



PJ2D160

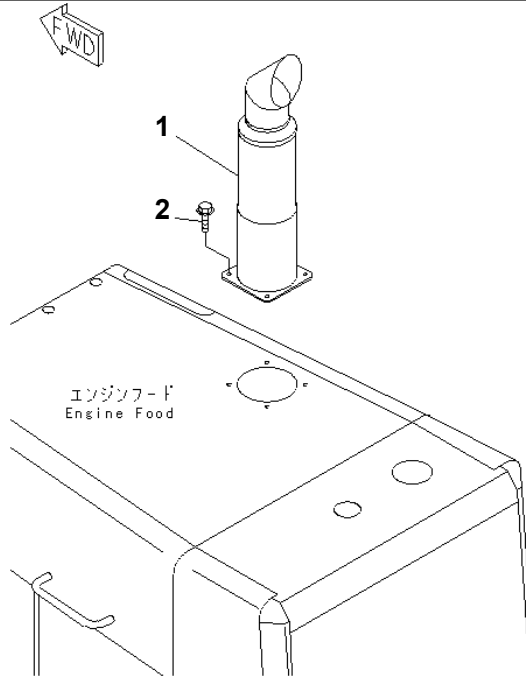
Ref. B0110-02A0A

Page 030070

WA500-3 S/N 50001-UP
 ENGINE (DRAIN HOSE)(#52001-)

Item	Part No.	Part Name	Qty	Serial No.
1	07260-21490	HOSE	1	52001-
2	07281-00259	CLAMP	1	52001-
3	07270-01090	TUBE	1	52001-
4	07281-00167	CLAMP	1	52001-
5	01435-01020	BOLT	1	50001-
6	01435-01025	BOLT	2	50001-
7	07261-22012	HOSE	1	52001-
8	07281-00359	CLAMP,HOSE	1	52001-
9	04434-52511	CLIP	1	52001-
10	04434-51310	CLIP	1	52001-
11	04434-53211	CLIP	1	52001-
12	363-43-37350	BRACKET	1	52001-
14	01435-01016	BOLT	2	52001-

WA500-3 S/N 50001-UP
 @@E3453@



PME3453

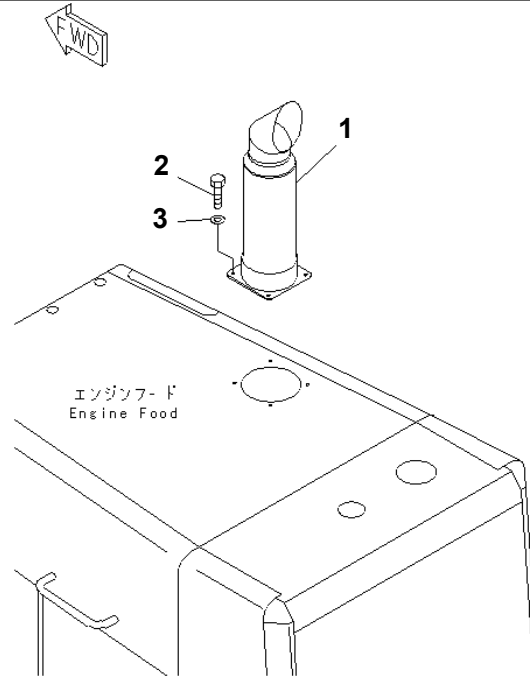
Ref. B0300-01A0

Page 030080

WA500-3 S/N 50001-UP
 EXHAUST SYSTEM(#50001-52000)

Item	Part No.	Part Name	Qty	Serial No.
1	425-02-21120	PIPE,EXHAUST	1	50001-52000
2	01435-01230	BOLT	4	50001-52000

WA500-3 S/N 50001-UP
@@2B899@



P J 2 B 8 9 9

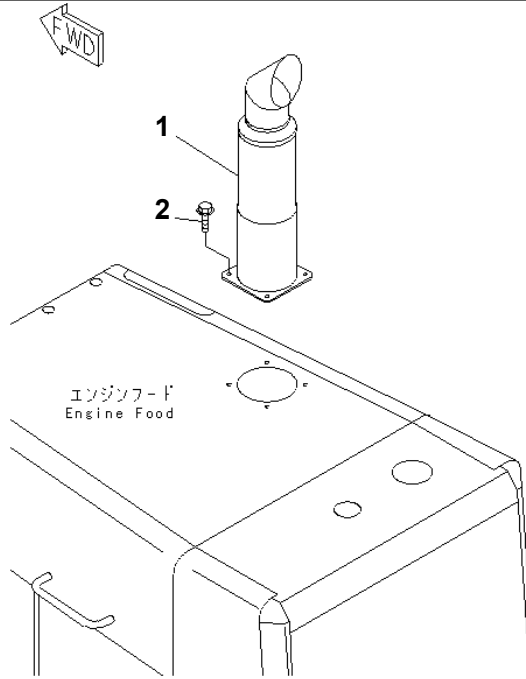
Ref. B0300-01A0A

Page 030090

WA500-3 S/N 50001-UP
EXHAUST SYSTEM(#52001-)

Item	Part No.	Part Name	Qty	Serial No.
1	425-02-21140	PIPE,EXHAUST	1	52001-
2	01010-81240	BOLT	4	52001-
3	01643-31232	WASHER	4	52001-

WA500-3 S/N 50001-UP
 @@E3453@



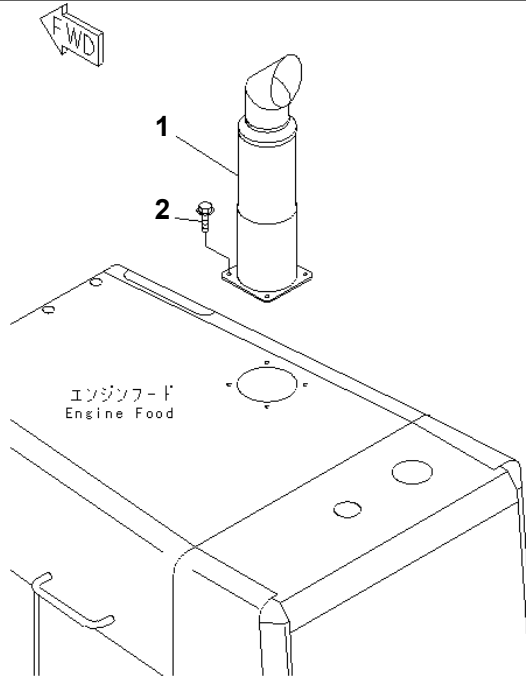
PME3453

Ref. B0300-01A1

Page 030100

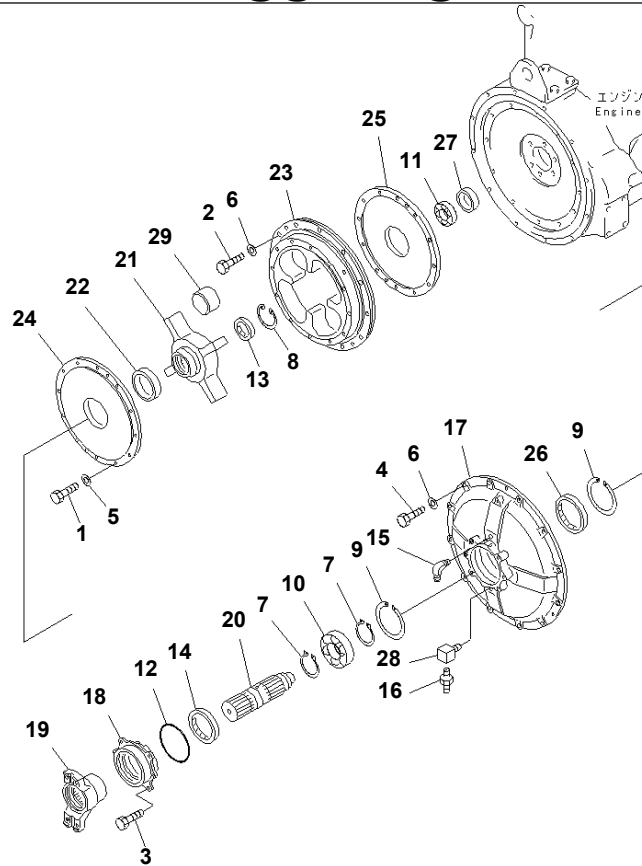
WA500-3 S/N 50001-UP
 EXHAUST SYSTEM

Item	Part No.	Part Name	Qty	Serial No.
1	425-02-21120	PIPE,EXHAUST	1	50059-
	□425-02-21110	PIPE,EXHAUST	1	50001-50058
2	01435-01230	BOLT	4	50001-



WA500-3 S/N 50001-UP
EXHAUST SYSTEM (SALTY RESISTANT SPEC.)

Item	Part No.	Part Name	Qty	Serial No.
1	425-02-21130	PIPE,EXHAUST	1	50001-
2	01435-01230	BOLT	4	50001-



PNE3454

Ref. B0600-01A0

Page 030120

WA500-3 S/N 50001-UP
DAMPER

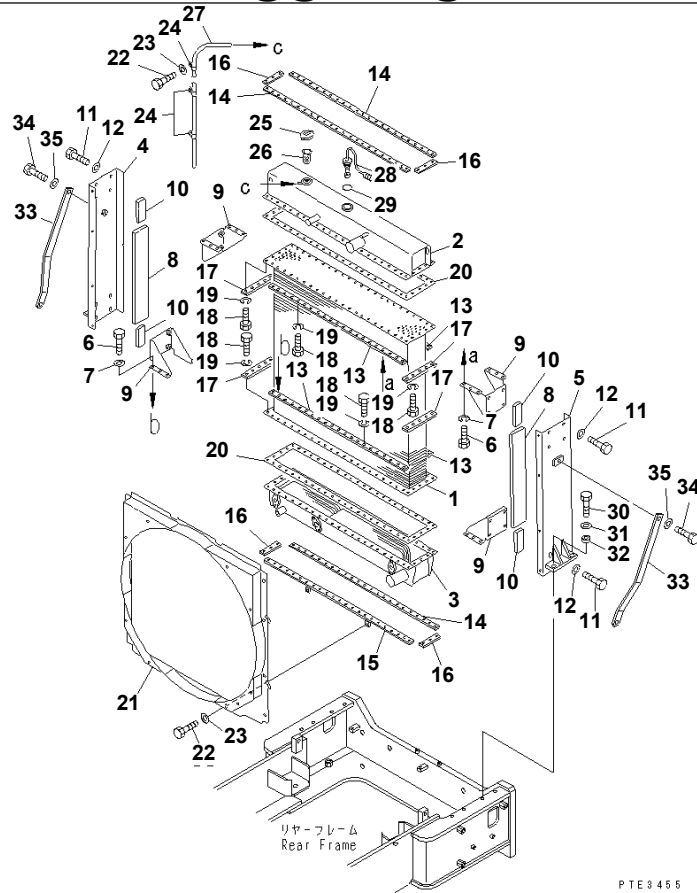
Item	Part No.	Part Name	Qty	Serial No.
1	01010-61080	BOLT	12	.-
	◆01010-31080	BOLT	12	50001-.
2	01010-61240	BOLT	12	.-
	◆01010-31240	BOLT	12	50001-.
3	01010-81025	BOLT	4	.-
	◆01010-51025	BOLT	4	50001-.
4	01010-81235	BOLT	12	.-
	◆01010-51235	BOLT	12	50001-.
5	01643-31032	WASHER	12	50001-
6	01643-31232	WASHER	24	50001-
7	04064-07525	RING,SNAP	2	50001-
8	04065-08025	RING,SNAP	1	50001-
9	04077-00130	RING,SNAP	2	50001-
10	06000-06215	BEARING	1	50001-
11	06034-06208	BEARING	1	50001-
12	07000-12130	O-RING	1	50001-
13	07011-00058	SEAL,OIL	1	50001-
14	07012-00095	SEAL,OIL	1	50001-
15	07834-00817	ELBOW	1	50001-
16	21T-72-17690	ADAPTER	1	50001-
17	425-12-11111	COVER	1	50001-
18	425-12-11120	COVER	1	50001-
19	425-12-11130	COUPLING	1	50001-
20	425-12-11141	SHAFT	1	50001-
21	425-12-11211	BODY ASS'Y	1	50001-
	425-12-11150	· BODY,INNER	1	50001-
22	425-12-11191	· SPACER	1	50001-
23	425-12-11160	BODY,OUTER	1	50001-
24	425-12-11170	FLANGE	1	50001-

**WA500-3 S/N 50001-UP
DAMPER**

Item	Part No.	Part Name	Qty	Serial No.
25	425-12-11180	FLANGE	1	50001-
26	425-12-11220	SEAL,OIL	1	50001-
27	425-12-11230	SPACER	1	50001-
28	425-12-11510	ELBOW	1	50001-
29	425-12-11910	RUBBER	8	50001-

**WA500-3 S/N 50001-UP
COOLING SYSTEM**

Item	Part Name	Qty
10	RADIATOR (RADIATOR AND MOUNTING)(#50001-52000)	1
20	RADIATOR (RADIATOR AND MOUNTING)(#52001-)	1
30	RADIATOR (RADIATOR AND MOUNTING) (FOR EC)	1
40	RADIATOR (RADIATOR AND MOUNTING) (WITH BRAKE COOLING SYSTEM)(#50001-52000)	1
50	RADIATOR (RADIATOR AND MOUNTING) (WITH BRAKE COOLING SYSTEM)(#52001-)	1
60	RADIATOR (RADIATOR AND MOUNTING) (WITH BRAKE COOLING SYSTEM) (FOR EC)	1
70	RADIATOR (RADIATOR PIPING)(#50001-52000)	1
80	RADIATOR (RADIATOR PIPING)(#52001-)	1
90	RADIATOR (RADIATOR PIPING) (FOR EC)	1
100	RADIATOR (STEERING OIL COOLER LINE)	1
110	RADIATOR (TORQUE CONVERTER OIL COOLER PIPING)(#50001-52000)	1
120	RADIATOR (TORQUE CONVERTER OIL COOLER PIPING) (FOR EC)	1
130	RADIATOR (TORQUE CONVERTER OIL COOLER PIPING) (WITH BRAKE COOLING SYSTEM) (FOR EC)	1
140	RADIATOR (TORQUE CONVERTER OIL COOLER PIPING)(#52001-)	1
150	RADIATOR (RADIATOR SUB TANK PIPING)(#52001-)	1
160	RADIATOR (BRAKE OIL COOLER) (WITH BRAKE COOLING SYSTEM)	1
170	RADIATOR (BRAKE OIL COOLER) (WITH BRAKE COOLING SYSTEM) (FOR EC)	1
180	RADIATOR (DUST AND DIRT PROTECTOR)	1
190	COOLING (STEERING OIL COOLER LINE)(#52113-)	1
200	COOLING (STEERING OIL COOLER LINE) (WITH BRAKE COOLING SYSTEM) (FOR EC)(#50001-52000)	1
210	COOLING (STEERING OIL COOLER LINE) (WITH BRAKE COOLING SYSTEM) (FOR EC)(#52001-)	1
220	COOLING (STEERING OIL COOLER LINE)	1
230	FAN GUARD (FOR RADIATOR)	1



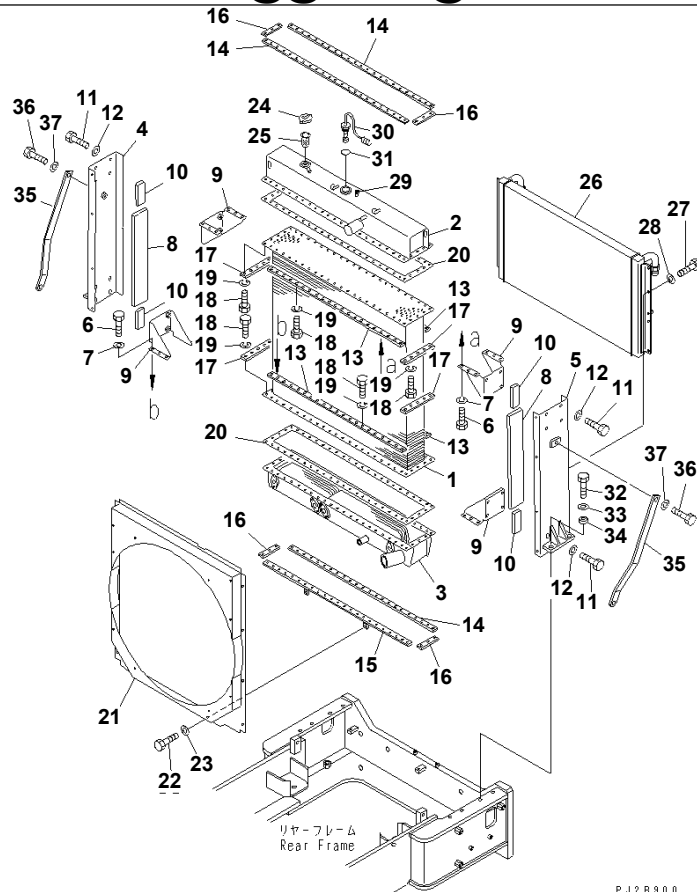
PTE3455

WA500-3 S/N 50001-UP
RADIATOR (RADIATOR AND MOUNTING)(#50001-52000)

Item	Part No.	Part Name	Qty	Serial No.
1	425-03-21100	RADIATOR ASS'Y	1	50001-52000
	425-03-21400	· CORE ASS'Y	1	50001-52000
	425-03-11111	· · CORE	1	50001-52000
2	425-03-21410	· · TANK,UPPER	1	50001-52000
3	425-03-21420	· · TANK,LOWER	1	50001-52000
4	425-03-21430	· · SUPPORT,R.H.	1	50001-52000
5	425-03-21440	· · SUPPORT,L.H.	1	50001-52000
6	01010-81035	· · BOLT	24	50001-@
7	01602-21030	· · WASHER,SPRING	24	50001-@
8	425-03-21450	· · PACKING	2	50001-52000
9	425-03-11161	· · BRACKET	4	50001-52000
10	425-03-11350	· · PACKING	4	50001-@
11	01010-81225	· · BOLT	16	50001-@
12	01643-31232	· · WASHER	16	50001-@
13	425-03-11171	· · PLATE	4	50001-@
14	425-03-11340	· · PLATE	3	50001-@
15	425-03-11290	· · PLATE	1	50001-@
16	421-03-11260	· · PLATE	4	50001-@
17	425-03-11181	· · PLATE	4	50001-@
18	01010-81030	· · BOLT	80	50001-@
19	01602-21030	· · WASHER,SPRING	80	50001-@
20	425-03-11192	· · GASKET	2	50001-@
21	425-03-21460	· SHROUD	1	50001-52000
22	01010-81025	· BOLT	10	50001-@
23	01643-31032	· WASHER	10	50001-@
24	232-03-11210	· CLIP	3	50001-52000
25	421-03-11461	· CAP	1	50001-52000
26	101-03-13160	· STRAINER	1	50001-@
27	425-03-11370	· HOSE	1	50001-52000

WA500-3 S/N 50001-UP
RADIATOR (RADIATOR AND MOUNTING)(#50001-52000)

Item	Part No.	Part Name	Qty	Serial No.
28	7861-92-4520	SENSOR,RADIATOR WATER LEVEL	1	50001-52000
29	07002-23634	O-RING	1	50001-@
30	01010-62070	BOLT	4	50001-@
31	01643-32060	WASHER	4	50001-@
32	425-03-12170	SPACER	4	50001-@
33	425-03-21110	PLATE	2	50001-@
34	01010-82055	BOLT	4	50001-@
35	01643-32060	WASHER	4	50001-@

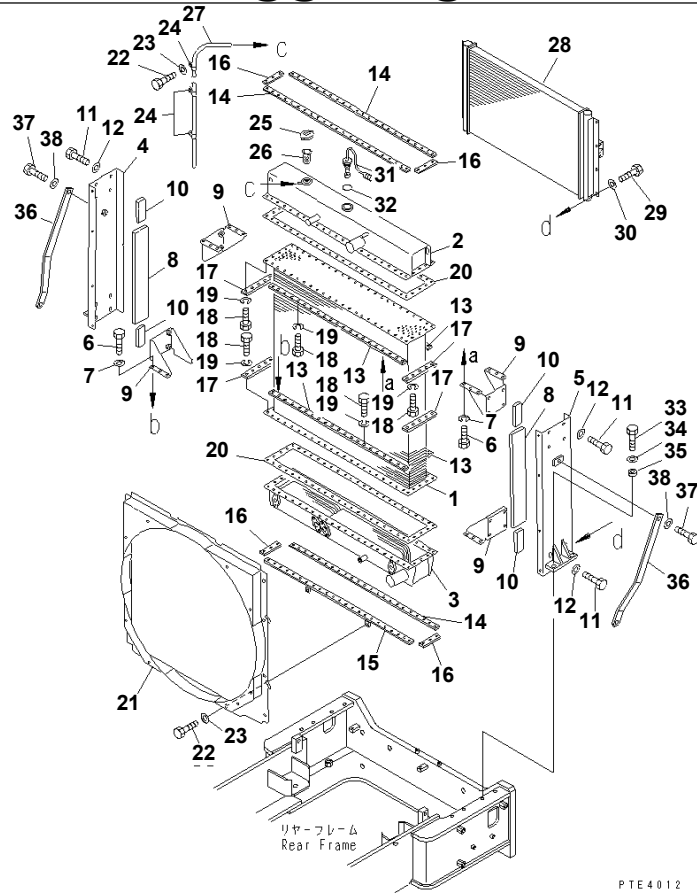


WA500-3 S/N 50001-UP
RADIATOR (RADIATOR AND MOUNTING)(#52001-)

Item	Part No.	Part Name	Qty	Serial No.
1	425-03-21900	RADIATOR ASS'Y	1	52001-
	425-03-21700	· CORE ASS'Y	1	52001-
	425-03-21710	· · CORE	1	52001-
2	425-03-21720	· · TANK,UPPER	1	52001-
3	425-03-21520	· · TANK,LOWER	1	52001-
4	425-03-21730	· · SUPPORT,R.H.	1	52001-
5	425-03-21740	· · SUPPORT,L.H.	1	52001-
6	01010-81035	· · BOLT	24	50001-
7	01602-21030	· · WASHER,SPRING	24	50001-
8	425-03-21750	· · PACKING	2	52001-
9	425-03-21550	· · BRACKET	4	52001-
10	425-03-11350	· · PACKING	4	50001-
11	01010-81225	· · BOLT	16	50001-
12	01643-31232	· · WASHER	16	50001-
13	425-03-11171	· · PLATE	4	50001-
14	425-03-11340	· · PLATE	3	50001-
15	425-03-11290	· · PLATE	1	50001-
16	421-03-11260	· · PLATE	4	50001-
17	425-03-11181	· · PLATE	4	50001-
18	01010-81030	· · BOLT	80	50001-
19	01602-21030	· · WASHER,SPRING	80	50001-
20	425-03-11192	· · GASKET	2	50001-
21	425-03-21760	· SHROUD	1	52001-
22	01010-81025	· BOLT	10	50001-
23	01643-31032	· WASHER	10	50001-
24	421-03-21210	· CAP ASS'Y	1	52001-
25	101-03-13160	· STRAINER	1	50001-
26	425-03-21910	· OIL COOLER ASS'Y	1	52001-
27	01010-81020	· BOLT	8	52001-

WA500-3 S/N 50001-UP
RADIATOR (RADIATOR AND MOUNTING)(#52001-)

Item	Part No.	Part Name	Qty	Serial No.
28	01643-31032	· WASHER	8	52001-
29	08036-40610	· CLIP (WELDED)	1	52001-
30	7861-92-4500	SENSOR,RADIATOR WATER LEVEL	1	52001-
31	07002-23634	O-RING	1	50001-
32	01010-62070	BOLT	4	50001-
33	01643-32060	WASHER	4	50001-
34	425-03-12170	SPACER	4	50001-
35	425-03-21110	PLATE	2	50001-
36	01010-82055	BOLT	4	50001-
37	01643-32060	WASHER	4	50001-



PTE4012

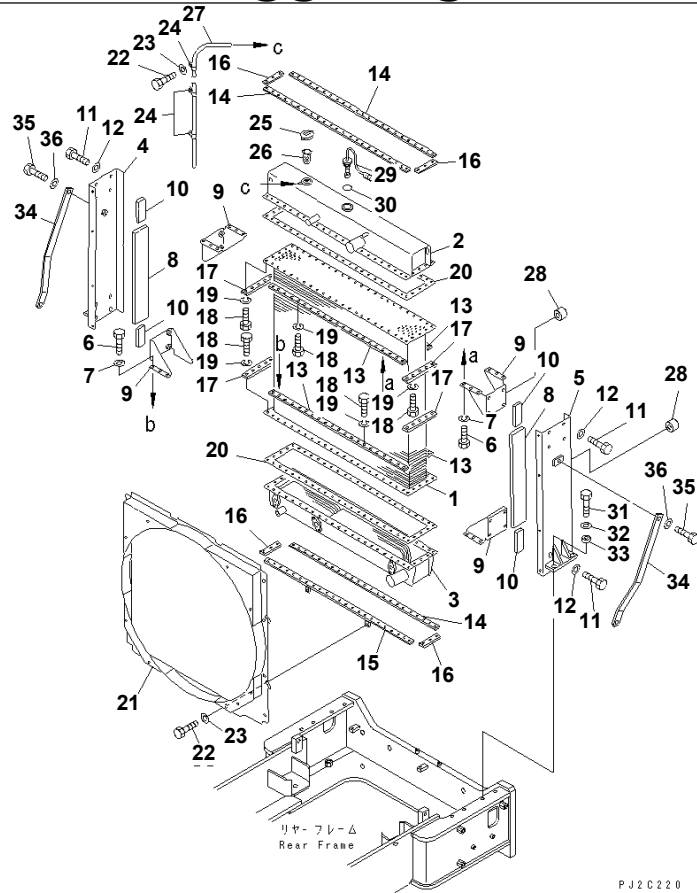
WA500-3 S/N 50001-UP
RADIATOR (RADIATOR AND MOUNTING) (FOR EC)

Item	Part No.	Part Name	Qty	Serial No.
1	425-03-21301	RADIATOR ASS'Y	1	50001-
	425-03-21500	· CORE ASS'Y	1	50001-
	425-03-21510	· · CORE	1	50001-
2	425-03-21410	· · TANK,UPPER	1	50001-
3	425-03-21520	· · TANK,LOWER	1	50001-
4	425-03-21530	· · SUPPORT,R.H.	1	50001-
5	425-03-21540	· · SUPPORT,L.H.	1	50001-
6	01010-81035	· · BOLT	24	50001-
7	01602-21030	· · WASHER,SPRING	24	50001-
8	425-03-11360	· · PACKING	2	50001-
9	425-03-21550	· · BRACKET	4	50001-
10	425-03-11350	· · PACKING	4	50001-
11	01010-81225	· · BOLT	16	50001-
12	01643-31232	· · WASHER	16	50001-
13	425-03-11171	· · PLATE	4	50001-
14	425-03-11340	· · PLATE	3	50001-
15	425-03-11290	· · PLATE	1	50001-
16	421-03-11260	· · PLATE	4	50001-
17	425-03-11181	· · PLATE	4	50001-
18	01010-81030	· · BOLT	80	50001-
19	01602-21030	· · WASHER,SPRING	80	50001-
20	425-03-11192	· · GASKET	2	50001-
21	425-03-21570	· SHROUD	1	50001-
22	01010-81025	· BOLT	10	50001-
23	01643-31032	· WASHER	10	50001-
24	232-03-11210	· CLIP	3	50001-
25	421-03-11461	· CAP	1	50001-
26	101-03-13160	· STRAINER	1	50001-
27	425-03-11370	· HOSE	1	50001-

WA500-3 S/N 50001-UP
RADIATOR (RADIATOR AND MOUNTING) (FOR EC)

Item	Part No.	Part Name	Qty	Serial No.
28	425-03-11410	· OIL COOLER	1	50001-
29	01010-81020	· BOLT	8	50001-
30	01643-31032	· WASHER	8	50001-
31	7861-92-4520	SENSOR,RADIATOR WATER LEVEL	1	50001-
32	07002-23634	O-RING	1	50001-
33	01010-62070	BOLT	4	50001-
34	01643-32060	WASHER	4	50001-
35	425-03-12170	SPACER	4	50001-
36	425-03-21110	PLATE	2	50001-
37	01010-82055	BOLT	4	50001-
38	01643-32060	WASHER	4	50001-

WA500-3 S/N 50001-UP
 @@2C220@



PJ2C220

Ref. C0110-01A3

Page 060040

WA500-3 S/N 50001-UP
 RADIATOR (RADIATOR AND MOUNTING) (WITH BRAKE COOLING
 SYSTEM)(#50001-52000)

Item	Part No.	Part Name	Qty	Serial No.
1	425-S05-2370	RADIATOR ASS'Y	1	50001-52000
	425-03-21100	· RADIATOR ASS'Y	1	50001-52000
	425-03-21400	· · CORE ASS'Y	1	50001-52000
	425-03-11111	· · · CORE	1	50001-52000
2	425-03-21410	· · · TANK,UPPER	1	50001-52000
3	425-03-21420	· · · TANK,LOWER	1	50001-52000
4	425-03-21430	· · · SUPPORT,R.H.	1	50001-52000
5	425-03-21440	· · · SUPPORT,L.H.	1	50001-52000
6	01010-81035	· · · BOLT	24	50001-52000
7	01602-21030	· · · WASHER,SPRING	24	50001-52000
8	425-03-21450	· · · PACKING	2	50001-52000
9	425-03-11161	· · · BRACKET	4	50001-52000
10	425-03-11350	· · · PACKING	4	50001-52000
11	01010-81225	· · · BOLT	16	50001-52000
12	01643-31232	· · · WASHER	16	50001-52000
13	425-03-11171	· · · PLATE	4	50001-52000
14	425-03-11340	· · · PLATE	3	50001-52000
15	425-03-11290	· · · PLATE	1	50001-52000
16	421-03-11260	· · · PLATE	4	50001-52000
17	425-03-11181	· · · PLATE	4	50001-52000
18	01010-81030	· · · BOLT	80	50001-52000
19	01602-21030	· · · WASHER,SPRING	80	50001-52000
20	425-03-11192	· · · GASKET	2	50001-52000
21	425-03-21460	· · SHROUD	1	50001-52000
22	01010-81025	· · BOLT	10	50001-52000
23	01643-31032	· · WASHER	10	50001-52000
24	232-03-11210	· · CLIP	3	50001-52000
25	421-03-11461	· · CAP	1	50001-52000

Reference:C0110-01A3

Page:060040



Suggest:

For more complete manuals. Please go to the home page.

<https://www.ebooklibonline.com>

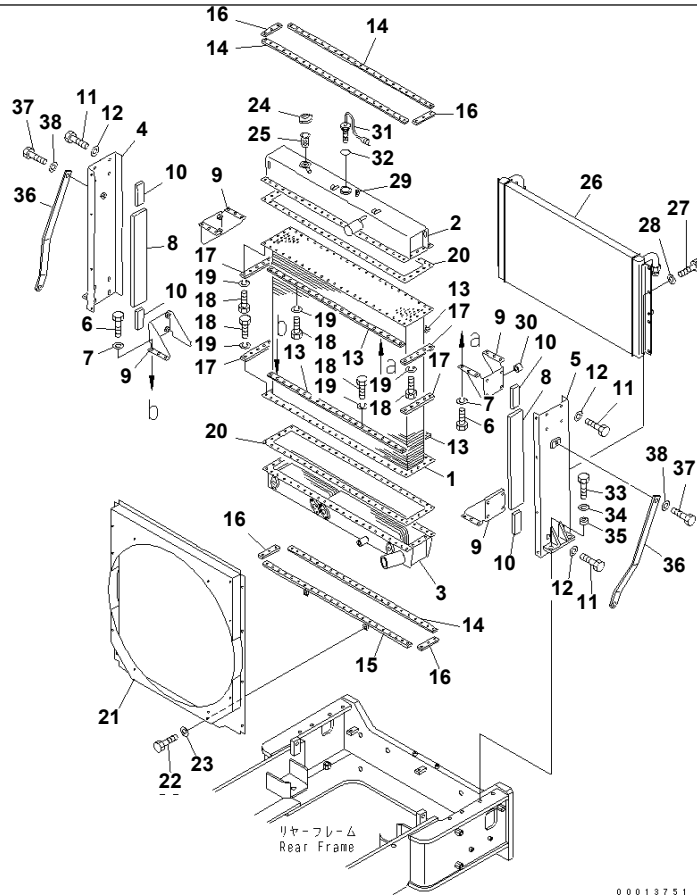
If the above button click is invalid. Please download this document first, and then click the above link to download the complete manual.

Thank you so much for reading

**WA500-3 S/N 50001-UP
RADIATOR (RADIATOR AND MOUNTING) (WITH BRAKE COOLING
SYSTEM)(#50001-52000)**

Item	Part No.	Part Name	Qty	Serial No.
26	101-03-13160	· · STRAINER	1	50001-52000
27	425-03-11370	· · HOSE	1	50001-52000
28	01571-01016	· SEAT (WELDED)	4	50001-52000
29	7861-92-4520	SENSOR,RADIATOR WATER LEVEL	1	50001-52000
30	07002-23634	O-RING	1	50001-52000
31	01010-62070	BOLT	4	50001-52000
32	01643-32060	WASHER	4	50001-52000
33	425-03-12170	SPACER	4	50001-52000
34	425-03-21110	PLATE	2	50001-52000
35	01010-82055	BOLT	4	50001-52000
36	01643-32060	WASHER	4	50001-52000

WA500-3 S/N 50001-UP
00013751



00013751

Ref. C0110-01A3A

Page 060050

WA500-3 S/N 50001-UP
RADIATOR (RADIATOR AND MOUNTING) (WITH BRAKE COOLING
SYSTEM)(#52001-)

Item	Part No.	Part Name	Qty	Serial No.
1	425-S05-3180	RADIATOR ASS'Y	1	52001-
	425-03-21900	· RADIATOR ASS'Y	1	52001-
	425-03-21700	· · CORE ASS'Y	1	52001-
	425-03-21710	· · · CORE	1	52001-
2	425-03-21720	· · · TANK,UPPER	1	52001-
3	425-03-21520	· · · TANK,LOWER	1	52001-
4	425-03-21730	· · · SUPPORT,R.H.	1	52001-
5	425-03-21740	· · · SUPPORT,L.H.	1	52001-
6	01010-81035	· · · BOLT	24	52001-
7	01602-21030	· · · WASHER,SPRING	24	52001-
8	425-03-21750	· · · PACKING	2	52001-
9	425-03-21550	· · · BRACKET	4	52001-
10	425-03-11350	· · · PACKING	4	52001-
11	01010-81225	· · · BOLT	16	52001-
12	01643-31232	· · · WASHER	16	52001-
13	425-03-11171	· · · PLATE	4	52001-
14	425-03-11340	· · · PLATE	3	52001-
15	425-03-11290	· · · PLATE	1	52001-
16	421-03-11260	· · · PLATE	4	52001-
17	425-03-11181	· · · PLATE	4	52001-
18	01010-81030	· · · BOLT	80	52001-
19	01602-21030	· · · WASHER,SPRING	80	52001-
20	425-03-11192	· · · GASKET	2	52001-
21	425-03-21760	· · SHROUD	1	52001-
22	01010-81025	· · BOLT	10	52001-
23	01643-31032	· · WASHER	10	52001-
24	421-03-21210	· · CAP ASS'Y	1	52001-
25	101-03-13160	· · STRAINER	1	52001-

Reference:C0110-01A3A

Page:060050

<https://www.ebooklibonline.com>

Hello dear friend!

Thank you very much for reading.

Enter the link into your browser.

The full manual is available for immediate download.

<https://www.ebooklibonline.com>