

WA500-1 S/N 10001-UP (Overseas Version)
WA500-1 S/N 10001-UP (Overseas Version)

Item	Part Name
	S6D140-1R S/N 10001-UP
	S6D140-1A-F S/N 10001-UP
10	ENGINE RELATED PARTS AND ELECTRICAL SYSTEM
20	TORQUE CONVERTER AND TRANSMISSION
30	DRIVE SHAFT?DIFFERENTIAL AND WHEELS
40	STEERING AND CONTROL SYSTEMS
50	FRAME AND GUARD
60	WORK EQUIPMENT CONTROL SYSTEM
70	WORK EQUIPMENT
90	MARK PLATE?TOOL AND KIT

WA500-1 S/N 10001-UP (Overseas Version)
ENGINE RELATED PARTS AND ELECTRICAL SYSTEM

Item	Part Name	Qty
10	ENGINE MOUNTING PARTS(#10001-19999)	1
20	ENGINE MOUNTING PARTS(#20001-)	1
30	ENGINE RELATED PARTS(#10001-19999)	1
40	ENGINE RELATED PARTS(#20001-)	1
50	ACCELERATOR PEDAL AND LINKAGE(#10001-19999)	1
60	ACCELERATOR PEDAL AND LINKAGE(#20001-)	1
70	RADIATOR	1
80	RADIATOR (TBG SPEC.)	1
90	RADIATOR COVER	1
100	RADIATOR DUST AND DIRT PROTECTOR(#10001-19999)	1
110	RADIATOR AND PIPING(#10001-10086)	1
120	RADIATOR AND PIPING(#10087-)	1
130	RADIATOR AND PIPING (TBG SPEC.)	1
140	FUEL TANK AND PIPING(#10001-19999)	1
150	FUEL TANK AND PIPING(#20001-)	1
160	FUEL TANK AND PIPING (TBG SPEC.)(#20001-)	1
170	WATER SEPARATOR PIPING	1
180	ADDITIONAL FUEL FILTER PIPING	1
190	WATER SEPARATOR AND ADDITIONAL FUEL FILTER PIPING(#10001-19999)	1
200	BATTERY AND BATTERY RELAY(#10001-19999)	1
210	BATTERY AND BATTERY RELAY(#20001-)	1
220	BATTERY AND BATTERY RELAY (TBG SPEC.)(#10001-19999)	1
230	BATTERY AND BATTERY RELAY (TBG SPEC.)(#20001-)	1
240	INSTRUMENT PANEL(#10001-19999)	1
250	INSTRUMENT PANEL(#20001-)	1
260	INSTRUMENT PANEL (TBG SPEC.)(#10001-19999)	1
270	INSTRUMENT PANEL (TBG SPEC.)(#20001-)	1
280	CONSOLE BOX?L.H. (WITH CAB)(#10001-19999)	1
290	CONSOLE BOX?L.H. (WITH CAB)(#20001-)	1
300	CONSOLE BOX?L.H. (WITH CAB) (TBG SPEC.)(#10001-19999)	1
310	CONSOLE BOX?L.H. (WITH CAB) (TBG SPEC.)(#20001-)	1
320	CONSOLE BOX?R.H.(#10001-10534)	1
330	CONSOLE BOX?R.H.(#10535-10967)	1
340	CONSOLE BOX?R.H.(#10968-19999)	1
350	CONSOLE BOX?R.H.(#20001-)	1
360	ELECTRICAL SYSTEM (FRONT LAMP)	1
370	ELECTRICAL SYSTEM (FRONT LINE)(#10001-19999)	1
380	ELECTRICAL SYSTEM (FRONT LINE)(#20001-)	1
390	ELECTRICAL SYSTEM (FRONT LINE) (TBG SPEC.)(#10001-19999)	1
400	ELECTRICAL SYSTEM (FRONT LINE) (TBG SPEC.)(#20001-)	1
410	ELECTRICAL SYSTEM (MAIN LINE) (1/2)(#10001-19999)	1
420	ELECTRICAL SYSTEM (MAIN LINE) (1/2)(#20001-)	1
430	ELECTRICAL SYSTEM (MAIN LINE) (1/2) (TBG SPEC.)(#10001-19999)	1
440	ELECTRICAL SYSTEM (MAIN LINE) (1/2) (TBG SPEC.)(#20001-)	1
450	ELECTRICAL SYSTEM (MAIN LINE) (2/2)(#10001-19999)	1
460	ELECTRICAL SYSTEM (MAIN LINE) (2/2)(#20001-)	1
470	ELECTRICAL SYSTEM (ENGINE SENSOR)(#10001-10385)	1
480	ELECTRICAL SYSTEM (ENGINE SENSOR)(#10386-19999)	1
490	ELECTRICAL SYSTEM (ENGINE SENSOR)(#20001-)	1
500	ELECTRICAL SYSTEM (BATTERY LINE)(#10001-19999)	1
510	ELECTRICAL SYSTEM (BATTERY LINE)(#20001-)	1
520	ELECTRICAL SYSTEM (BATTERY LINE) (TBG SPEC.)(#10001-19999)	1
530	ELECTRICAL SYSTEM (BATTERY LINE) (TBG SPEC.)(#20001-)	1
540	ELECTRICAL SYSTEM (REAR LAMP)(#10001-10583)	1
550	ELECTRICAL SYSTEM (REAR LAMP)(#10584-19999)	1
560	ELECTRICAL SYSTEM (REAR LAMP)(#20001-)	1
570	MONITOR PANEL(#10001-10677)	1
580	MONITOR PANEL(#10678-)	1
590	SENSOR AND CONTROLLER	1
600	LOAD METER CONTROL BOX AND RELATED PART(#20001-)	1
610	ELECTRICAL SYSTEM (LOAD METER LINE)(#20001-.)	1
620	ELECTRICAL SYSTEM (LOAD METER LINE)(#.-)	1
630	ENGINE OIL HEATER RELATED PARTS (1/2)(#10001-19999)	1
640	ENGINE OIL HEATER RELATED PARTS (1/2)(#20001-)	1
650	ENGINE OIL HEATER RELATED PARTS (2/2)(#10001-19999)	1
660	ENGINE OIL HEATER RELATED PARTS (2/2)(#20001-)	1

WA500-1 S/N 10001-UP (Overseas Version)
ENGINE RELATED PARTS AND ELECTRICAL SYSTEM

Item	Part Name	Qty
670	LICENSE LAMP(#20001-)	1

<https://www.ebooklibonline.com>

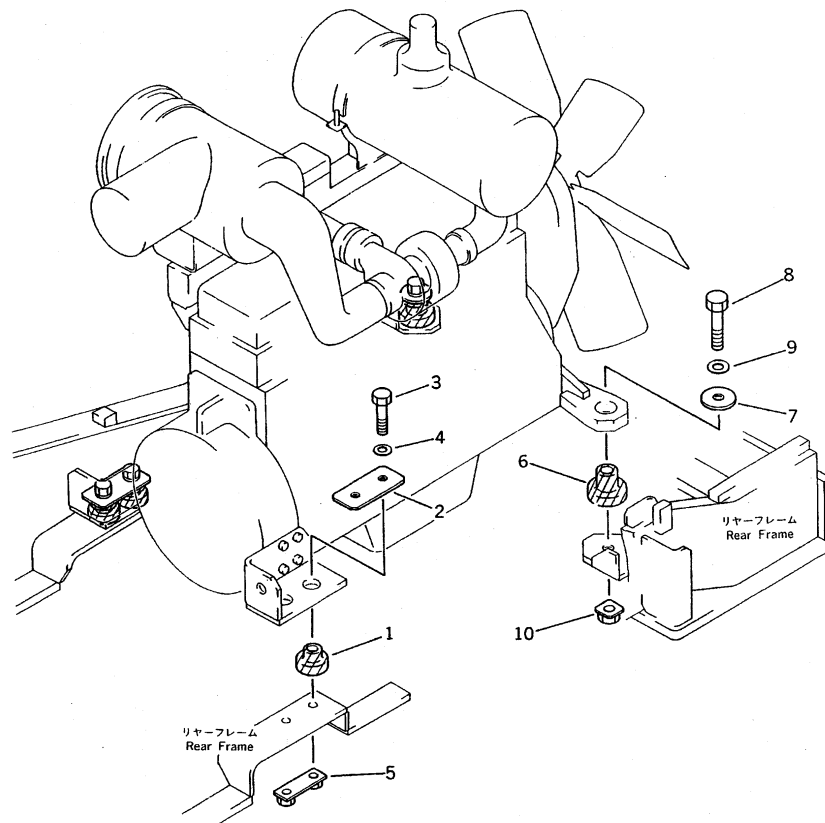
Hello dear friend!

Thank you very much for reading.

Enter the link into your browser.

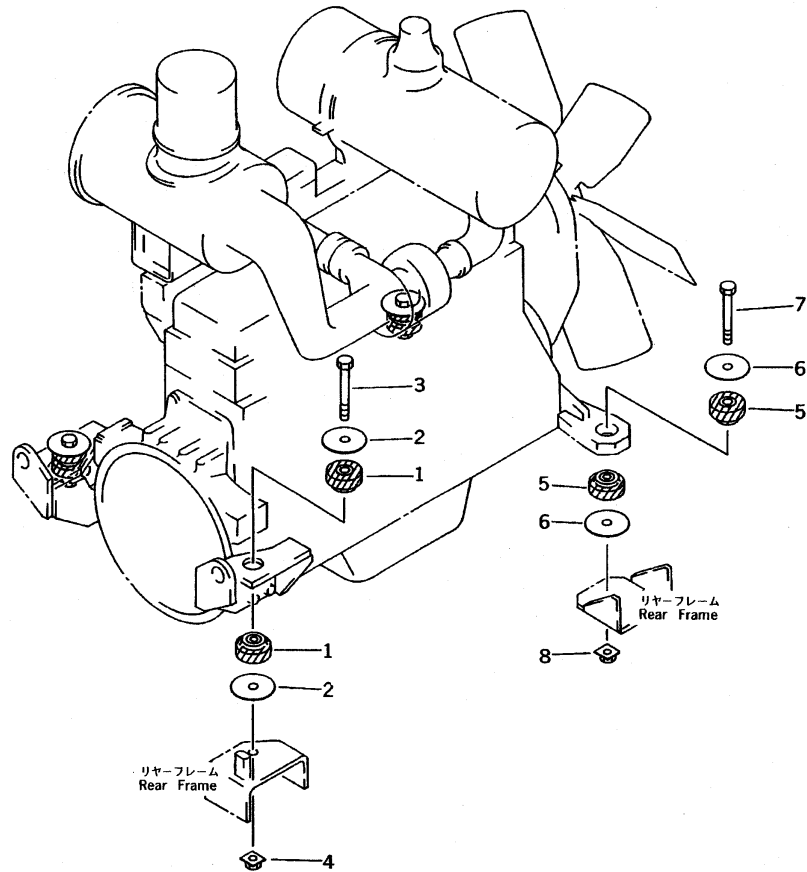
The full manual is available for immediate download.

<https://www.ebooklibonline.com>



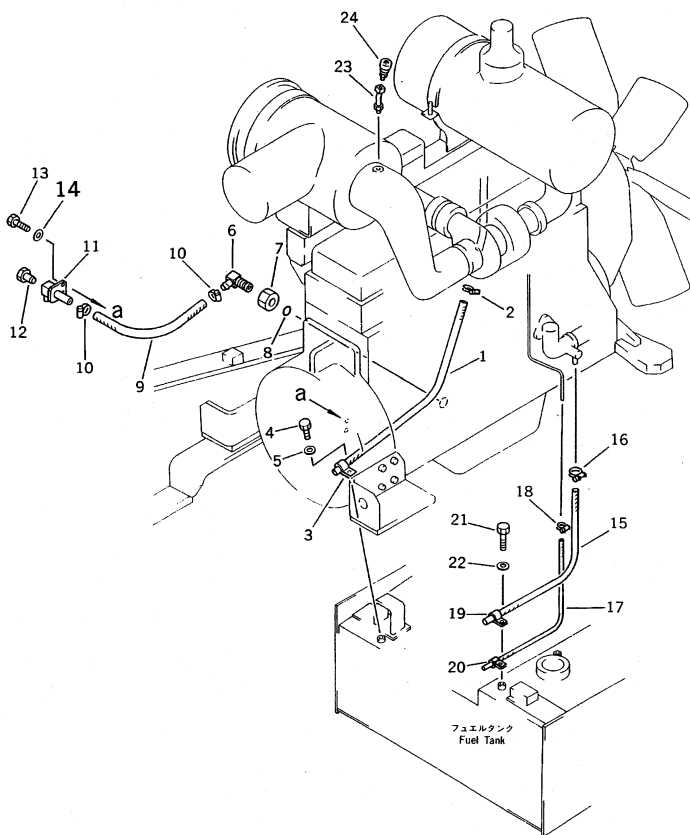
WA500-1 S/N 10001-UP (Overseas Version)
ENGINE MOUNTING PARTS(#10001-19999)

Item	Part No.	Part Name	Qty	Serial No.
1	425-01-11120	CUSHION	4	10001-19999
2	425-01-11170	PLATE	2	10001-19999
3	01011-31815	BOLT	4	10001-19999
4	01643-31845	WASHER	4	10001-19999
5	425-01-11160	PLATE	2	10001-19999
6	425-01-11110	CUSHION	2	10001-19999
7	425-01-11130	PLATE	2	10001-19999
8	01011-32455	BOLT	2	10001-19999
9	01643-32460	WASHER	2	10001-19999
10	425-01-11150	PLATE	2	10001-19999



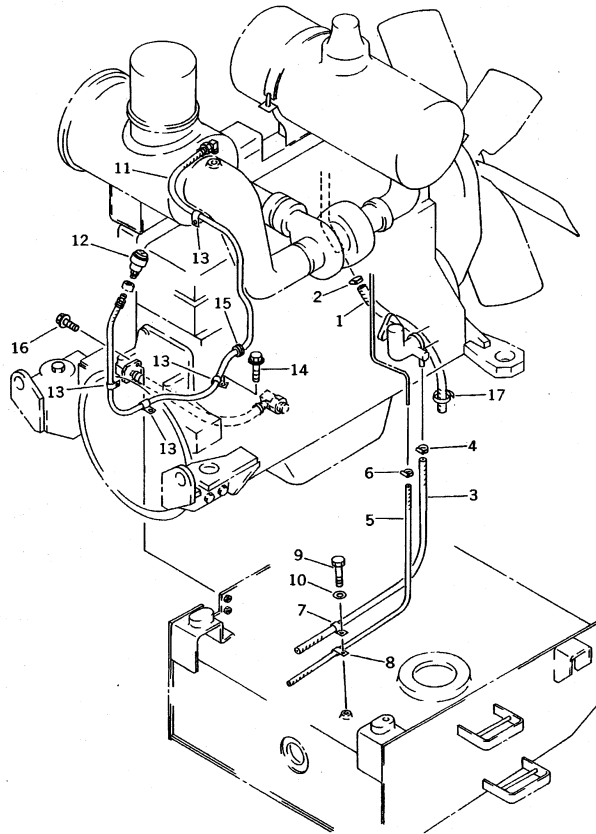
WA500-1 S/N 10001-UP (Overseas Version)
ENGINE MOUNTING PARTS(#20001-)

Item	Part No.	Part Name	Qty	Serial No.
1	425-01-11370	CUSHION	4	20001-
2	424-01-11220	WASHER	4	20152-
	425-01-11330	WASHER	4	20001-20151
3	01011-62225	BOLT	2	20001-
4	425-01-11250	PLATE	2	20001-
5	425-01-11350	CUSHION	4	20001-
6	424-01-11220	WASHER	4	20152-
	425-01-11330	WASHER	4	20001-20151
7	01011-62225	BOLT	2	20001-
8	425-01-11250	PLATE	2	20001-



WA500-1 S/N 10001-UP (Overseas Version)
ENGINE RELATED PARTS(#10001-19999)

Item	Part No.	Part Name	Qty	Serial No.
1	07261-22010	HOSE	1	10001-19999
2	07280-03423	CLAMP	1	10001-@
3	08036-03014	CLIP	1	10001-19999
4	01010-51016	BOLT	1	10001-19999
5	01643-31032	WASHER	1	10001-19999
6	421-01-11180	ELBOW	1	10001-19999
7	01583-13621	NUT	1	10001-19999
8	07002-23634	O-RING	1	10001-19999
9	07260-22056	HOSE	1	10001-19999
10	07281-00359	CLAMP	2	10001-19999
11	425-01-12121	TUBE	1	10001-19999
12	424-01-11110	PLUG	1	10001-19999
13	01010-51030	BOLT	2	10001-19999
14	01643-31032	WASHER	2	10001-19999
15	07260-21480	HOSE	1	10001-@
16	07280-02523	CLAMP	1	10001-@
17	07270-01070	TUBE	1	10001-@
18	07280-01620	CLAMP	1	10001-@
19	08036-02514	CLIP	1	10001-@
20	08036-01414	CLIP	1	10001-@
21	01010-51020	BOLT	1	10001-@
22	01643-31032	WASHER	1	10001-@
23	425-01-13111	TUBE	1	10001-19999
24	08670-00635	INDICATOR,DUST	1	10001-19999

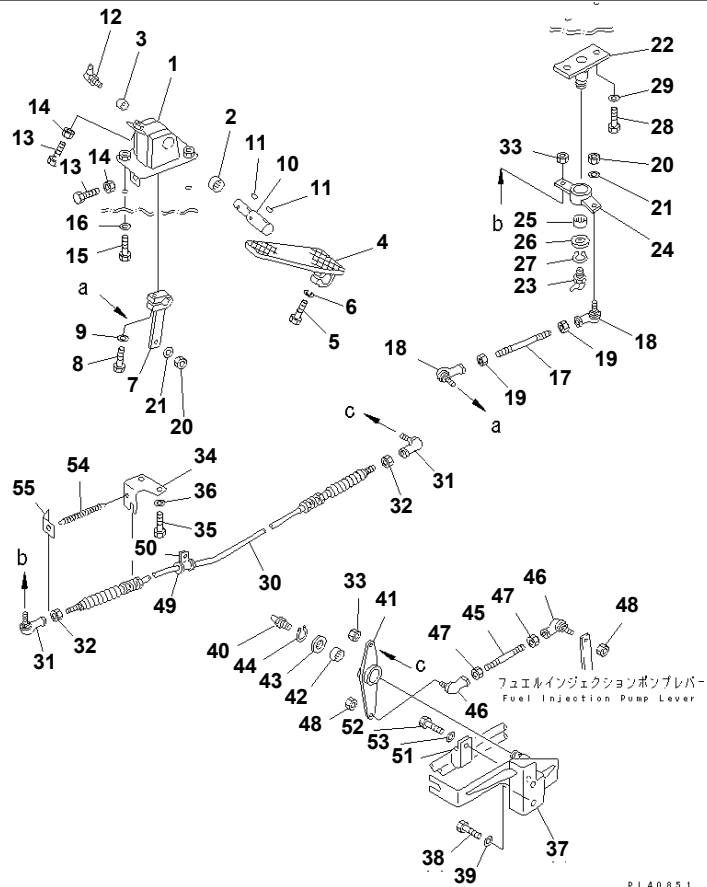


WA500-1 S/N 10001-UP (Overseas Version)
ENGINE RELATED PARTS(#20001-)

Item	Part No.	Part Name	Qty	Serial No.
1	07260-22080	HOSE	1	20040-
	07261-22010	HOSE	1	20001-20039
2	07280-03423	CLAMP	1	10001-
3	07260-21480	HOSE	1	10001-
4	07280-02523	CLAMP	1	10001-
5	07270-01070	TUBE	1	10001-
6	07280-01620	CLAMP	1	10001-
7	08036-02514	CLIP	1	10001-
8	08036-01414	CLIP	1	10001-
9	01010-81020	BOLT	1	10001-
10	01643-31032	WASHER	1	10001-
11	08671-50160	HOSE	1	20001-
12	08670-02001	INDICATOR,DUST	1	20001-
13	04434-51410	CLIP	4	20001-
14	01435-01016	BOLT	4	20001-
15	08037-01610	GROMMET	1	20001-
16	01435-01025	BOLT	2	20001-
17	08034-20536	BAND	1	20001-

WA500-1 S/N 1001-UP (Overseas Version)

@@40851@



Ref. 1101

Page 030050

WA500-1 S/N 1001-UP (Overseas Version)
ACCELERATOR PEDAL AND LINKAGE(#10001-19999)

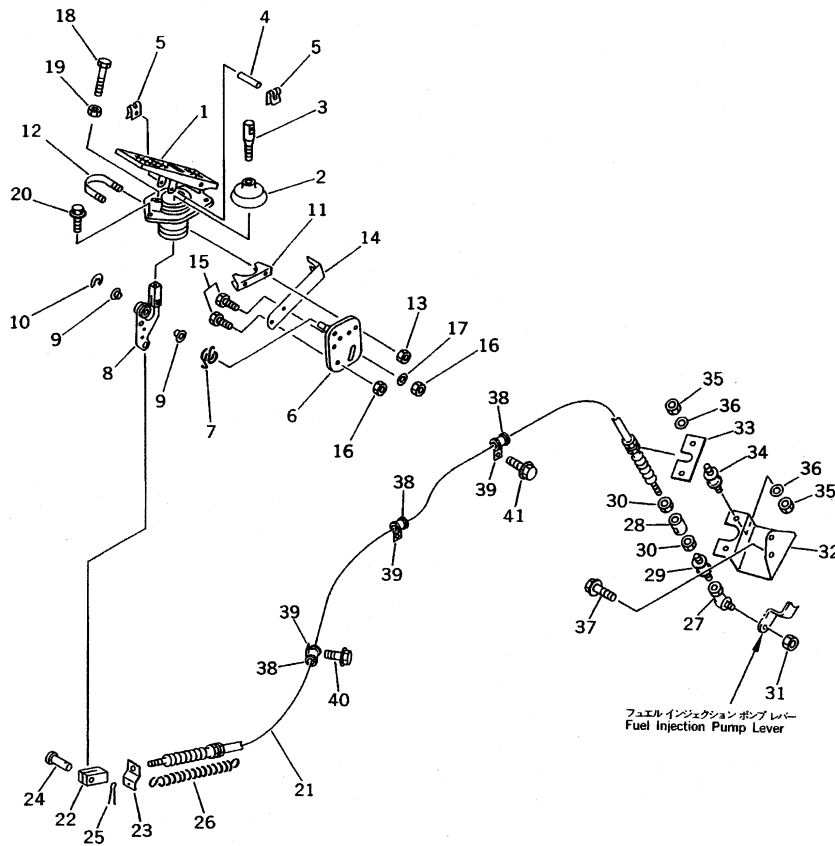
Item	Part No.	Part Name	Qty	Serial No.
1	421-43-11123	BRACKET	1	10001-19999
2	426-43-11120	BEARING	1	10001-19999
3	426-43-11110	BEARING	1	10001-19999
4	421-43-11112	PEDAL	1	10001-19999
5	01010-50825	BOLT	1	10001-19999
6	01602-20825	WASHER,SPRING	1	10001-19999
7	421-43-11142	LEVER	1	10001-19999
8	01010-50825	BOLT	1	10001-19999
9	01643-30823	WASHER	1	10001-19999
10	421-43-11160	SHAFT	1	10001-19999
11	04010-00519	KEY	2	10001-19999
12	07020-00900	FITTING,GREASE	1	10001-19999
13	01016-51250	BOLT	2	10001-19999
14	01580-11210	NUT	2	10001-19999
15	01010-51225	BOLT	2	10001-19999
16	01643-31232	WASHER	2	10001-19999
17	04245-00610	ROD	1	10001-19999
18	424-09-12450	JOINT	2	10001-19999
19	01580-10605	NUT	2	10001-19999
20	426-09-11130	NUT	2	10001-19999
21	01643-30623	WASHER	2	10001-19999
22	425-43-11150	BRACKET	1	10001-19999
23	07020-00675	FITTING,GREASE	1	10001-19999
24	425-43-11112	LEVER	1	10001-19999
25	426-43-11120	BEARING	1	10001-19999
26	01643-32060	WASHER	1	10001-19999
27	04064-02012	RING,SNAP	1	10001-19999
28	01010-51225	BOLT	2	10001-19999
29	01643-31232	WASHER	2	10001-19999

Reference:1101

Page:030050

WA500-1 S/N 10001-UP (Overseas Version)
ACCELERATOR PEDAL AND LINKAGE(#10001-19999)

Item	Part No.	Part Name	Qty	Serial No.
30	425-43-11171	CABLE	1	10383-19999
	□425-43-11170	CABLE	1	10001-10382
31	424-09-12450	JOINT	2	10001-19999
32	01580-10605	NUT	2	10001-19999
33	426-09-11130	NUT	2	10001-19999
34	425-43-11141	PLATE	1	10001-19999
35	01010-51225	BOLT	2	10001-19999
36	01643-31232	WASHER	2	10001-19999
37	425-43-11122	BRACKET	1	10001-19999
38	01010-51025	BOLT	2	10001-19999
39	01643-31032	WASHER	2	10001-19999
40	07020-00000	FITTING,GREASE	1	10001-19999
41	425-43-11160	LEVER	1	10001-19999
42	426-43-11120	BEARING	1	10001-19999
43	01643-32060	WASHER	1	10001-19999
44	04064-02012	RING,SNAP	1	10001-19999
45	04245-00605	ROD	1	10001-19999
46	424-09-12450	JOINT	2	10001-19999
47	01580-10605	NUT	2	10001-19999
48	426-09-11130	NUT	2	10001-19999
49	425-43-11180	GROMMET	1	10001-19999
50	08035-02510	CLIP	1	10001-19999
51	391-62-19240	CLIP	1	10001-19999
52	01010-51020	BOLT	1	10001-19999
53	01643-31032	WASHER	1	10001-19999
54	424-43-11260	SPRING	1	10001-19999
55	419-43-11180	RETAINER	1	10001-19999



WA500-1 S/N 10001-UP (Overseas Version)
ACCELERATOR PEDAL AND LINKAGE(#20001-)

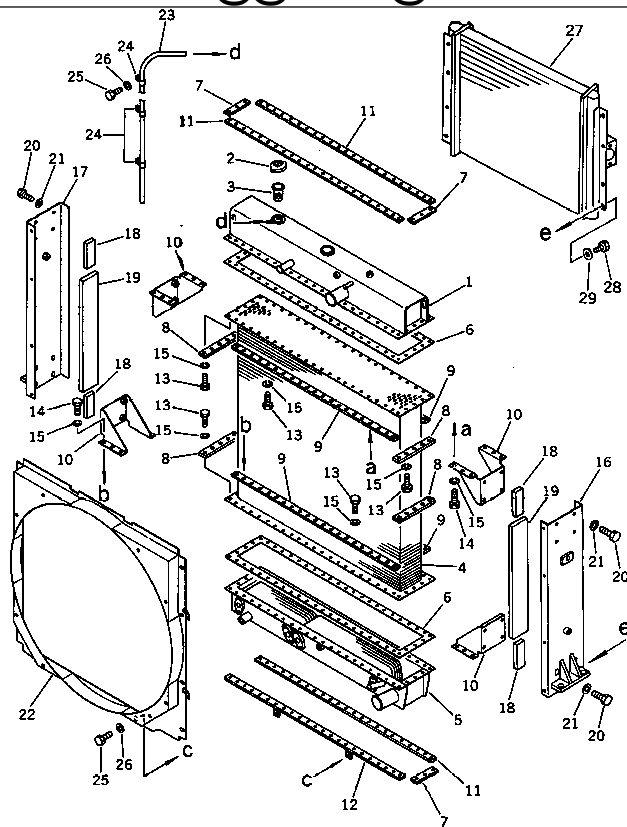
Item	Part No.	Part Name	Qty	Serial No.
	421-43-11310	PEDAL ASS'Y	1	20001-
1	417-43-11210	・ PEDAL	1	20001-
2	417-43-11360	・ BOOT	1	20001-
3	417-43-11310	・ ROD	1	20001-
4	417-43-11320	・ PIN	1	20001-
5	417-43-11330	・ CLIP	2	20001-
6	417-43-11220	・ PLATE	1	20001-
7	417-43-11240	・ SPRING	1	20001-
8	417-43-11230	・ LEVER	1	20001-
9	417-43-11250	・ BEARING	2	20001-
10	417-43-11260	・ CLIP	1	20001-
11	417-43-11290	・ SUPPORT	1	20001-
12	417-43-11270	・ U-BOLT	1	20001-
13	417-43-11280	・ NUT	2	20001-
14	421-43-11320	・ SUPPORT	1	20001-
15	01010-80616	・ BOLT	2	20001-
16	417-43-11350	・ NUT	2	20001-
17	01643-30623	・ WASHER	1	20001-
18	01010-80860	・ BOLT	1	20001-
19	01580-10806	・ NUT	1	20001-
20	01435-00620	BOLT	3	20001-
21	23S-43-28140	CABLE	1	20040-
	425-43-11230	CABLE	1	20001-20039
22	04210-20624	YOKE	1	20001-
23	425-43-11420	PLATE	1	20001-
24	04205-10620	PIN	1	20001-
25	04050-11612	PIN,COTTER	1	20001-
26	415-43-11241	SPRING	1	20001-
27	04256-40615	JOINT	1	20217-

WA500-1 S/N 10001-UP (Overseas Version)
ACCELERATOR PEDAL AND LINKAGE(#20001-)

Item	Part No.	Part Name	Qty	Serial No.
27	424-09-12450	JOINT		20001-20216
28	421-43-11330	ROD	1	20001-
29	424-43-11240	CUSHION	1	20001-
30	01580-10605	NUT	2	20001-
31	01596-00606	NUT	1	20217-
	426-09-11130	NUT	1	20001-20216
32	425-43-11242	BRACKET	1	20040-
	425-43-11241	BRACKET	1	20001-20039
33	425-43-11250	PLATE	1	20001-
34	424-43-11240	CUSHION	2	20001-
35	01580-10605	NUT	4	20001-
36	424-43-11250	WASHER	4	20001-
37	01435-01020	BOLT	2	20001-
38	416-878-1470	GROMMET	3	20001-
39	08036-02514	CLIP	3	20001-
40	01435-01220	BOLT	1	20001-
41	01435-01016	BOLT	2	20001-

WA500-1 S/N 10001-UP (Overseas Version)

@@45575@



Ref. 1201

Page 030070

WA500-1 S/N 10001-UP (Overseas Version)
RADIATOR

Item	Part No.	Part Name	Qty	Serial No.
	425-03-11302	RADIATOR ASS'Y	1	20130-
	425-03-11301	RADIATOR ASS'Y	1	20001-20129
	425-03-11300	RADIATOR ASS'Y	1	10187-19999
	425-03-11102	RADIATOR ASS'Y	1	10087-10186
	■425-03-11101	RADIATOR ASS'Y (415-03-11102,425-03-12151, 07042-00415)	1	10001-10086
1	425-03-11122	· TANK,UPPER	1	20001-
	425-03-11121	· TANK,UPPER	1	10001-19999
2	421-03-11460	· CAP	1	10435-
	□281-03-12690	· CAP	1	10001-10434
3	101-03-13160	· STRAINER	1	10001-
4	425-03-11111	· CORE	1	10001-
5	425-03-11134	· TANK,LOWER (WITH OIL COOLER)	1	20130-
	425-03-11133	· TANK,LOWER (WITH OIL COOLER)	1	20001-20129
	425-03-11132	· TANK,LOWER (WITH OIL COOLER)	1	10087-19999
	425-03-11131	· TANK,LOWER (WITH OIL COOLER)	1	10001-10086
6	425-03-11192	· GASKET	2	20597-
	425-03-11191	· GASKET	2	10001-20596
7	421-03-11260	· PLATE	3	10001-
7A	421-03-11260	· PLATE	1	20001-
8	425-03-11181	· PLATE	4	10001-
9	425-03-11171	· PLATE	4	10001-
10	425-03-11161	· BRACKET	4	10001-
11	425-03-11340	· PLATE	3	10001-
12	425-03-11290	· PLATE	1	10001-
13	01010-81030	· BOLT	80	10001-
14	01010-81035	· BOLT	24	10001-
15	01602-21030	· WASHER,SPRING	104	10001-

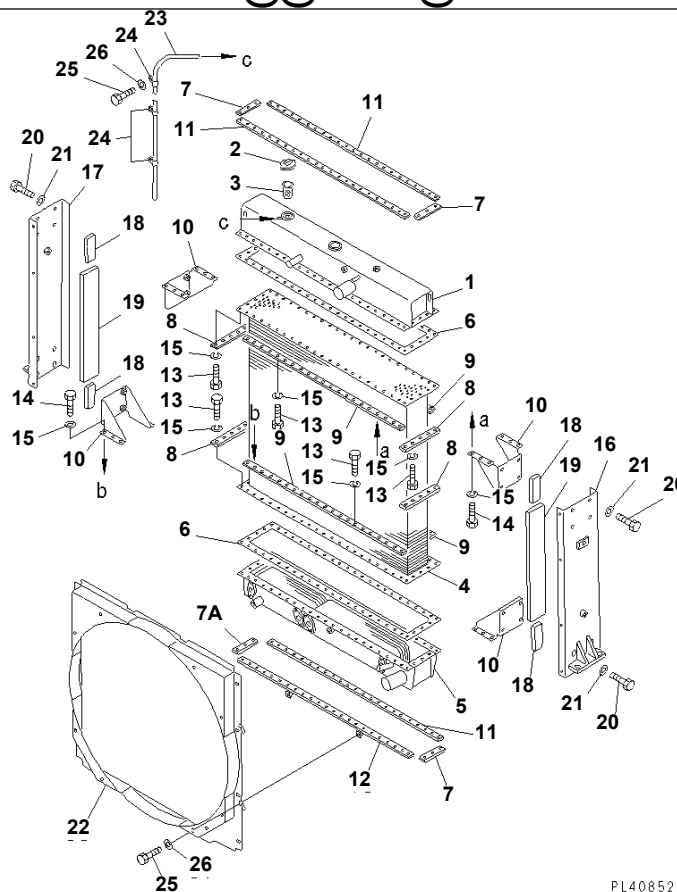
WA500-1 S/N 10001-UP (Overseas Version)

RADIATOR

Item	Part No.	Part Name	Qty	Serial No.
16	425-03-11141	· SUPPORT,L.H.	1	10001-
17	425-03-11151	· SUPPORT,R.H.	1	10001-
18	425-03-11350	· PACKING	4	10001-
19	425-03-11360	· PACKING	2	10001-
20	01010-81225	· BOLT	16	10001-
21	01643-31232	· WASHER	16	10001-
22	425-03-11280	· SHROUD	1	10001-
23	425-03-11370	· HOSE	1	10001-
24	232-03-11210	· CLIP	3	10001-
25	01010-81025	· BOLT	10	10001-
26	01643-31032	· WASHER	10	10001-
27	425-03-11410	· OIL COOLER	1	10187-
28	01010-81020	· BOLT	8	10187-
29	01643-31032	· WASHER	8	10187-

WA500-1 S/N 10001-UP (Overseas Version)

@@40852@



PL40852

Ref. 1202

Page 030080

WA500-1 S/N 10001-UP (Overseas Version)
RADIATOR (TBG SPEC.)

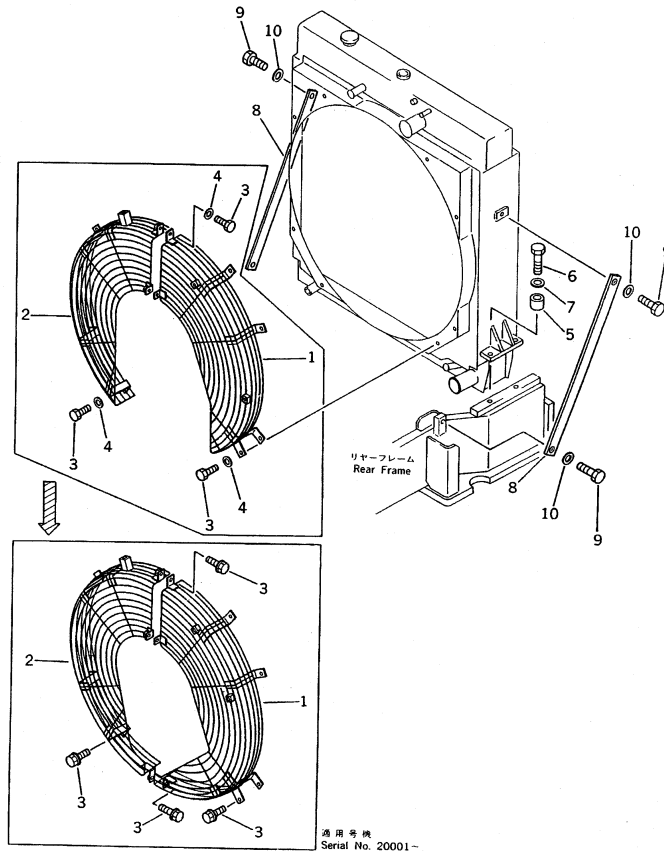
Item	Part No.	Part Name	Qty	Serial No.
	425-03-11104	RADIATOR ASS'Y	1	20001-
	425-03-11102	RADIATOR ASS'Y	1	10087-19999
	■425-03-11101	RADIATOR ASS'Y (415-03-11102,425-03-12151, 07042-00415)	1	10001-10086
1	425-03-11122	· TANK,UPPER	1	20001-
	425-03-11121	· TANK,UPPER	1	10001-19999
2	421-03-11460	· CAP	1	10435-
	□281-03-12690	· CAP	1	10001-10434
3	101-03-13160	· STRAINER	1	10001-
4	425-03-11111	· CORE	1	10001-
5	425-03-11134	· TANK,LOWER (WITH OIL COOLER)	1	20001-
	425-03-11132	· TANK,LOWER (WITH OIL COOLER)	1	10087-19999
	425-03-11131	· TANK,LOWER (WITH OIL COOLER)	1	10001-10086
6	425-03-11192	· GASKET	2	20616-
	425-03-11191	· GASKET	2	10001-20615
7	421-03-11260	· PLATE	3	10001-
7A	421-03-11260	· PLATE	1	20001-
8	425-03-11181	· PLATE	4	10001-
9	425-03-11171	· PLATE	4	10001-
10	425-03-11161	· BRACKET	4	10001-
11	425-03-11340	· PLATE	3	10001-
12	425-03-11290	· PLATE	1	10001-
13	01010-81030	· BOLT	80	10001-
14	01010-81035	· BOLT	24	10001-
15	01602-21030	· WASHER,SPRING	104	10001-
16	425-03-11141	· SUPPORT,L.H.	1	10001-
17	425-03-11151	· SUPPORT,R.H.	1	10001-
18	425-03-11350	· PACKING	4	10001-

WA500-1 S/N 10001-UP (Overseas Version)
RADIATOR (TBG SPEC.)

Item	Part No.	Part Name	Qty	Serial No.
19	425-03-11360	· PACKING	2	10001-
20	01010-81225	· BOLT	16	10001-
21	01643-31232	· WASHER	16	10001-
22	425-03-11280	· SHROUD	1	10001-
23	425-03-11370	· HOSE	1	10001-
24	232-03-11210	· CLIP	3	10001-
25	01010-81025	· BOLT	10	10001-
26	01643-31032	· WASHER	10	10001-

WA500-1 S/N 10001-UP (Overseas Version)

@@40853@

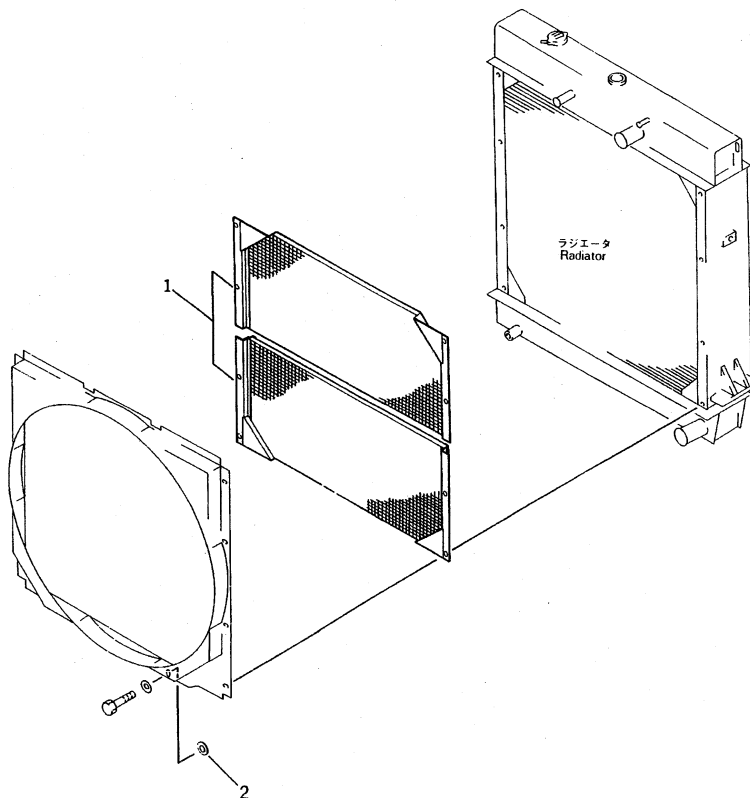


Ref. 1211

Page 030090

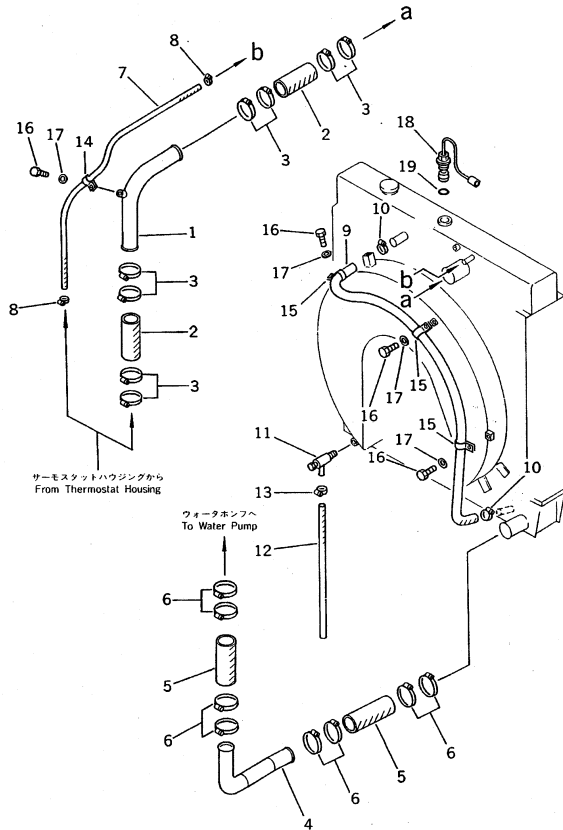
WA500-1 S/N 10001-UP (Overseas Version)
RADIATOR COVER

Item	Part No.	Part Name	Qty	Serial No.
1	425-03-11313	NET,L.H.	1	20001-
	425-03-11311	NET,L.H.	1	10001-19999
2	425-03-11323	NET,R.H.	1	20001-
	425-03-11321	NET,R.H.	1	10001-19999
	425-963-1350	NET,R.H. (WITH AIR CONDITIONER)	1	10001-
3	01435-01020	BOLT	11	20001-
	01010-51025	BOLT	10	10001-19999
4	01643-31032	WASHER	10	10001-19999
5	425-03-12170	SPACER	4	10001-
6	01010-62070	BOLT	4	10001-
7	01643-32060	WASHER	4	10001-
8	425-03-11331	PLATE	2	20001-
	425-03-11330	PLATE	2	10001-19999
9	01010-62055	BOLT	4	10001-
10	01643-32060	WASHER	4	10001-



WA500-1 S/N 10001-UP (Overseas Version)
RADIATOR DUST AND DIRT PROTECTOR(#10001-19999)

Item	Part No.	Part Name	Qty	Serial No.
1	425-977-1110	PROTECTOR	2	10001-19999
2	01643-31232	WASHER	2	10001-19999

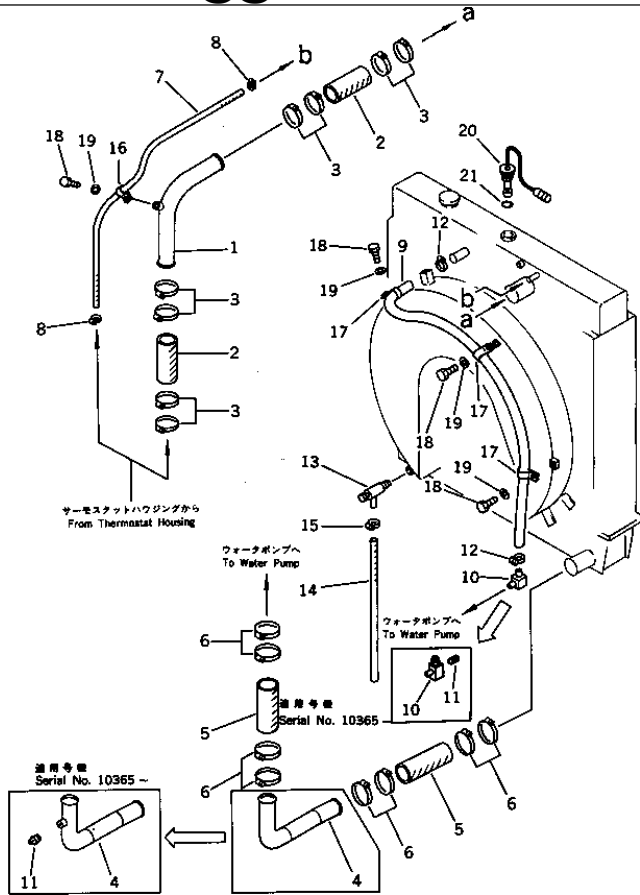


WA500-1 S/N 10001-UP (Overseas Version)
RADIATOR AND PIPING(#10001-10086)

Item	Part No.	Part Name	Qty	Serial No.
1	425-03-12111	TUBE	1	10001-@
2	425-03-12120	HOSE	2	10001-@
3	07281-00809	CLAMP	8	10001-@
4	425-03-12160	TUBE	1	10001-@
5	425-03-12140	HOSE	2	10001-@
6	07281-01029	CLAMP	8	10001-@
7	09483-00308	HOSE	1	10001-@
8	07281-00197	CLAMP	2	10001-@
9	09483-06190	HOSE	1	10001-10086
10	07281-00419	CLAMP	2	10001-@
11	07730-30004	VALVE	1	10001-@
12	07260-21445	HOSE	1	10001-@
13	07281-00259	CLAMP	1	10001-@
14	424-06-12740	CLIP	1	10001-@
15	113-899-7950	CLIP	3	10001-@
16	01010-51020	BOLT	4	10001-@
17	01643-31032	WASHER	4	10001-@
18	(7861-99-4520)	SENSOR,RADIATOR WATER LEVEL	1	10001-@
19	07002-23634	O-RING	1	10001-@

WA500-1 S/N 10001-UP (Overseas Version)

@@43554A



Ref. 1251A

Page 030120

WA500-1 S/N 10001-UP (Overseas Version)
RADIATOR AND PIPING(#10087-)

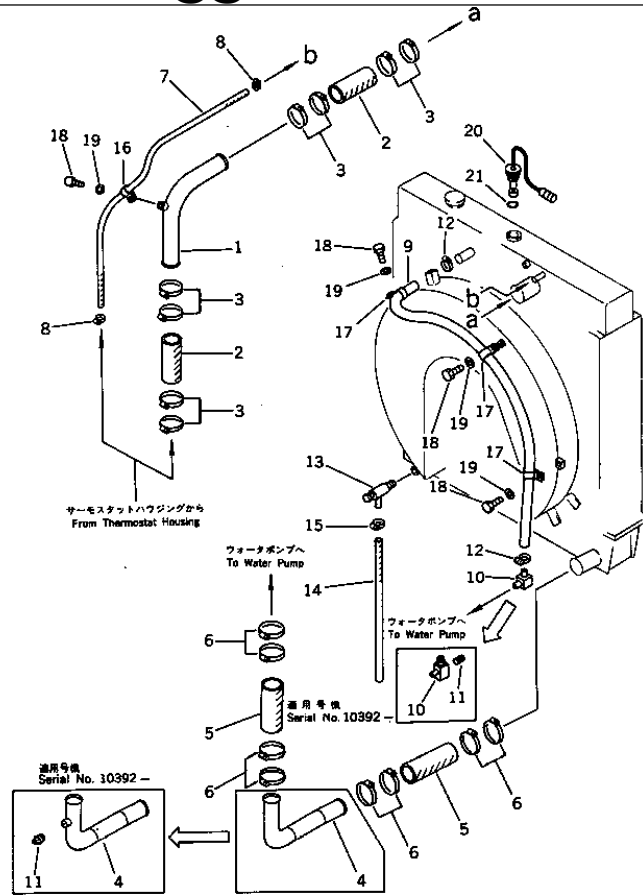
Item	Part No.	Part Name	Qty	Serial No.
1	425-03-12111	TUBE	1	10001-
2	425-03-12120	HOSE	2	10001-
3	07281-00809	CLAMP	8	10001-
4	425-03-12162	TUBE	1	10365-
	425-03-12161	TUBE	1	10297-10364
	■425-03-12160	TUBE	1	10001-10296
		(425-03-12161,425-03-12180(2))		
5	425-03-12180	HOSE	2	10303-
	■425-03-12140	HOSE	2	10001-10302
		(425-03-12180(2),425-03-12161)		
6	07281-01029	CLAMP	8	10001-
7	09483-00308	HOSE	1	10001-
8	07281-00197	CLAMP	2	10001-
9	09483-06160	HOSE	1	10087-
10	425-03-12152	ELBOW	1	10365-
	425-03-12151	ELBOW	1	10087-10364
11	425-03-12240	PLUG	2	10365-
12	07281-00419	CLAMP	2	10001-
13	07730-30004	VALVE	1	10001-
14	07260-21435	HOSE	1	20040-
	07260-21445	HOSE	1	10001-20039
15	07281-00259	CLAMP	1	10001-
16	424-06-12740	CLIP	1	10001-
17	113-899-7950	CLIP	3	10001-
18	01010-81020	BOLT	4	10001-
19	01643-31032	WASHER	4	10001-
20	(7861-91-4540)	SENSOR,RADIATOR WATER LEVEL	1	10368-
	□7861-99-4520	SENSOR,RADIATOR WATER LEVEL	1	10001-10367
21	07002-23634	O-RING	1	10001-

Reference:1251A

Page:030120

WA500-1 S/N 10001-UP (Overseas Version)

@@43554B



Ref. 1252

Page 030130

WA500-1 S/N 10001-UP (Overseas Version)
RADIATOR AND PIPING (TBG SPEC.)

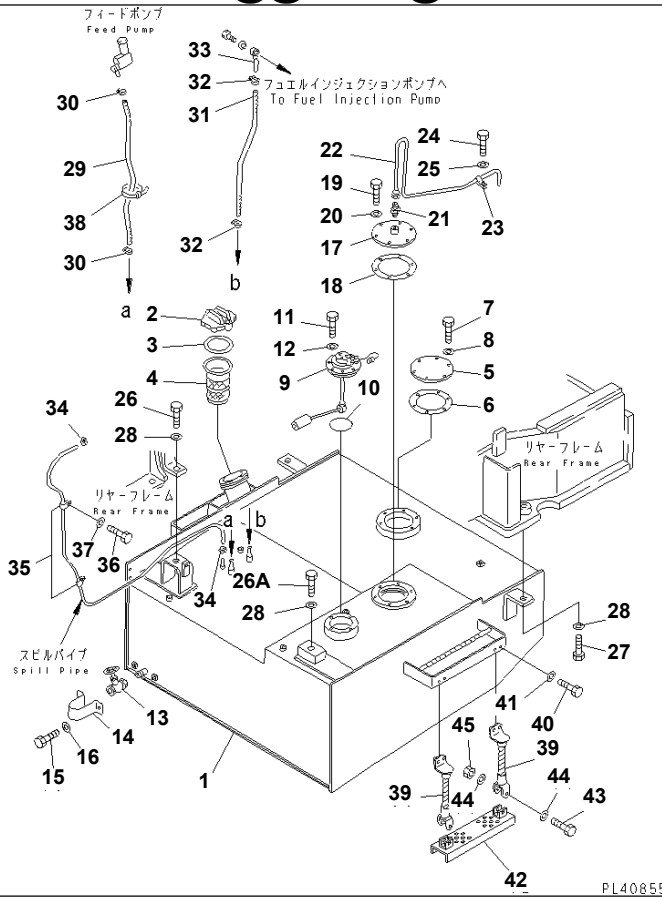
Item	Part No.	Part Name	Qty	Serial No.
1	425-03-12111	TUBE	1	10001-
2	425-03-12120	HOSE	2	10001-
3	07281-00809	CLAMP	8	10001-
4	425-03-12162	TUBE	1	10392-
	425-03-12161	TUBE	1	10297-10391
	■425-03-12160	TUBE	1	10001-10296
		(425-03-12161,425-03-12180(2))		
5	425-03-12180	HOSE	1	10315-
	■425-03-12140	HOSE	1	10001-10314
		(425-03-12180(2),425-03-12161)		
6	07281-01029	CLAMP	8	10001-
7	09483-00308	HOSE	1	10001-
8	07281-00197	CLAMP	2	10001-
9	09483-06160	HOSE	1	10087-
10	425-03-12152	ELBOW	1	10392-
	425-03-12151	ELBOW	1	10087-10391
11	425-03-12240	PLUG	2	10365-
12	07281-00419	CLAMP	2	10001-
13	07730-30004	VALVE	1	10001-
14	07260-21435	HOSE	1	20045-
	□07260-21445	HOSE	1	10001-20044
15	07281-00259	CLAMP	1	10001-
16	424-06-12740	CLIP	1	10001-
17	113-899-7950	CLIP	3	10001-
18	01010-81020	BOLT	4	10001-
19	01643-31032	WASHER	4	10001-
20	(7861-91-4540)	SENSOR,RADIATOR WATER LEVEL	1	10368-
	□7861-99-4520	SENSOR,RADIATOR WATER LEVEL	1	10001-10367
21	07002-23634	O-RING	1	10001-

**WA500-1 S/N 10001-UP (Overseas Version)
RADIATOR AND PIPING (TBG SPEC.)**

Item	Part No.	Part Name	Qty	Serial No.
22	423-03-11531	TUBE	1	21054-

WA500-1 S/N 10001-UP (Overseas Version)

@@40855@



Ref. 1301

Page 030140

WA500-1 S/N 10001-UP (Overseas Version)
FUEL TANK AND PIPING(#10001-19999)

Item	Part No.	Part Name	Qty	Serial No.
1	425-04-11112	TANK	1	10338-19999
	□425-04-11111	TANK	1	10001-10337
2	19M-04-11220	CAP	1	10001-19999
3	07050-21202	GASKET	1	10001-19999
4	07056-18416	STRAINER	1	10001-@
5	421-04-11181	COVER	1	10001-19999
6	421-04-11191	GASKET	1	10001-19999
7	01010-51025	BOLT	6	10001-19999
8	01643-31032	WASHER	6	10001-19999
9	7861-91-4730	SENSOR,FUEL LEVEL	1	10001-19999
10	07000-02085	O-RING	1	10001-@
11	01010-51025	BOLT	4	10001-19999
12	01643-31032	WASHER	4	10001-19999
13	07700-60504	VALVE	1	10001-19999
14	421-04-11170	COVER	1	10001-19999
15	01010-50820	BOLT	2	10001-19999
16	01643-30823	WASHER	2	10001-19999
17	425-04-11120	COVER	1	10001-19999
18	421-04-11191	GASKET	1	10001-19999
19	01010-51025	BOLT	6	10001-19999
20	01643-31032	WASHER	6	10001-19999
21	07214-51013	CONNECTOR	1	10001-19999
22	425-04-11141	TUBE	1	10001-19999
23	424-04-11120	CLIP	1	10001-@
24	01010-51020	BOLT	1	10001-@
25	01643-31032	WASHER	1	10001-@
26	01010-32455	BOLT	1	10001-19999
26A	01010-32465	BOLT	1	10338-19999
	01010-32455	BOLT	1	10001-10337



Suggest:

For more complete manuals. Please go to the home page.

<https://www.ebooklibonline.com>

If the above button click is invalid. Please download this document first, and then click the above link to download the complete manual.

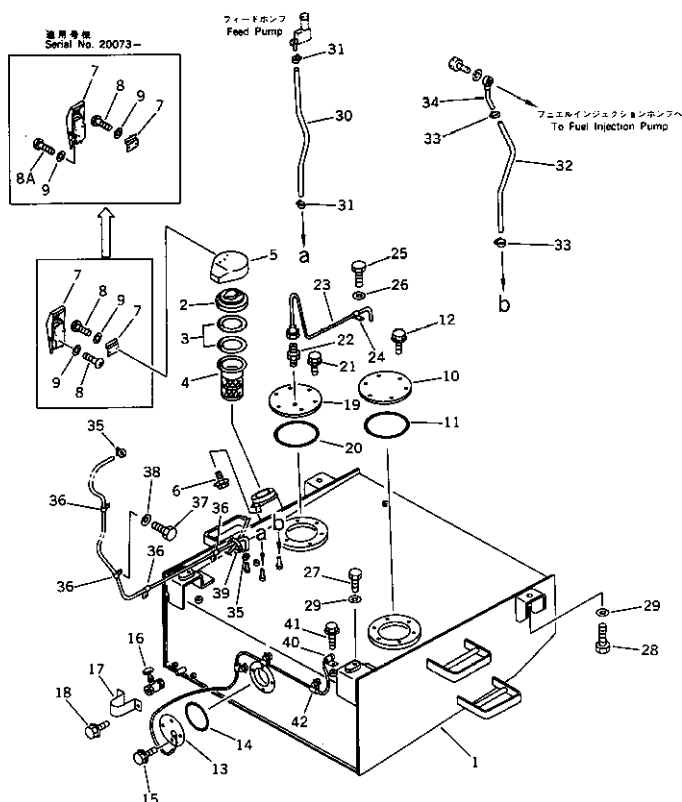
Thank you so much for reading

**WA500-1 S/N 10001-UP (Overseas Version)
FUEL TANK AND PIPING(#10001-19999)**

Item	Part No.	Part Name	Qty	Serial No.
27	01010-32485	BOLT	2	10001-19999
28	01643-32460	WASHER	4	10001-@
29	07270-21055	TUBE	1	10001-@
30	07281-00197	CLAMP	2	10001-@
31	07270-21065	TUBE	1	10001-@
32	07281-00197	CLAMP	2	10001-@
33	425-04-11130	TUBE	1	10001-19999
34	07280-00910	CLAMP	2	10001-@
35	08036-10814	CLIP	2	10001-@
36	01010-51016	BOLT	2	10001-19999
37	01643-31032	WASHER	2	10001-19999
38	08034-00519	BAND	1	10001-@
39	425-54-14190	WIRE ROPE	4	10001-19999
40	01010-51230	BOLT	8	10001-19999
41	01643-31232	WASHER	8	10001-19999
42	423-54-12770	STEP	2	10001-19999
43	01010-51265	BOLT	4	10001-19999
44	01643-31232	WASHER	8	10001-19999
45	426-43-19150	NUT	4	10001-19999

WA500-1 S/N 10001-UP (Overseas Version)

@@40046A



Ref. 1301A

Page 030150

WA500-1 S/N 10001-UP (Overseas Version)
FUEL TANK AND PIPING(#20001-)

Item	Part No.	Part Name	Qty	Serial No.
1	425-04-11113	TANK	1	20001-
2	423-04-11362	CAP	1	20477-
	423-04-11361	CAP	1	20001-20476
3	417-04-21230	・ PACKING	1	20477-
	20Y-04-11240	・ PACKING	1	20001-20476
	423-04-11770	・ PACKING, 1.0MM	1	20001-20476
4	07056-18416	STRAINER	1	10001-
5	425-04-11161	COVER	1	20001-
6	01435-01020	BOLT	2	20001-
7	421-09-12321	HOLDER	1	20001-
8	01220-40508	SCREW	2	20073-
	01220-40408	SCREW	5	20001-20072
8A	01220-40512	SCREW	3	20073-
9	01641-20508	WASHER	5	20073-
	01641-20405	WASHER	5	20001-20072
10	428-04-11120	COVER	1	20001-
11	07000-15200	O-RING	1	20001-
12	01435-01025	BOLT	6	20001-
13	7861-91-4820	SENSOR,FUEL LEVEL	1	20001-
14	07000-12085	O-RING	1	10001-
15	01435-01014	BOLT	4	20001-
16	416-04-10131	VALVE	1	20836-
	◆416-04-10130	VALVE,DRAIN	1	20001-20835
17	419-04-11120	COVER	1	20001-
18	01435-00816	BOLT	2	20001-
19	421-04-11182	COVER	1	20001-
20	07000-15200	O-RING	1	20001-
21	01435-01025	BOLT	6	20001-
22	423-09-12120	CONNECTOR	1	20001-

Reference:1301A

Page:030150

<https://www.ebooklibonline.com>

Hello dear friend!

Thank you very much for reading.

Enter the link into your browser.

The full manual is available for immediate download.

<https://www.ebooklibonline.com>