

WA480-6 S/N A48001-UP
WA480-6 S/N A48001-UP

DESCRIPTION

ENGINE
ENGINE RELATED PARTS
COOLING SYSTEM
FUEL TANK AND RELATED PARTS
ELECTRICAL SYSTEM
POWER TRAIN AND FINAL DRIVE
HYDRAULIC SYSTEM
MAIN/REVOLVING FRAME AND RELATED PARTS
OPERATOR\rd5 S COMPARTMENT AND CONTROL SYSTEM
GUARD
SUSPENSION AND WHEEL RELATED PARTS
WORK EQUIPMENT
MARKS AND PLATES

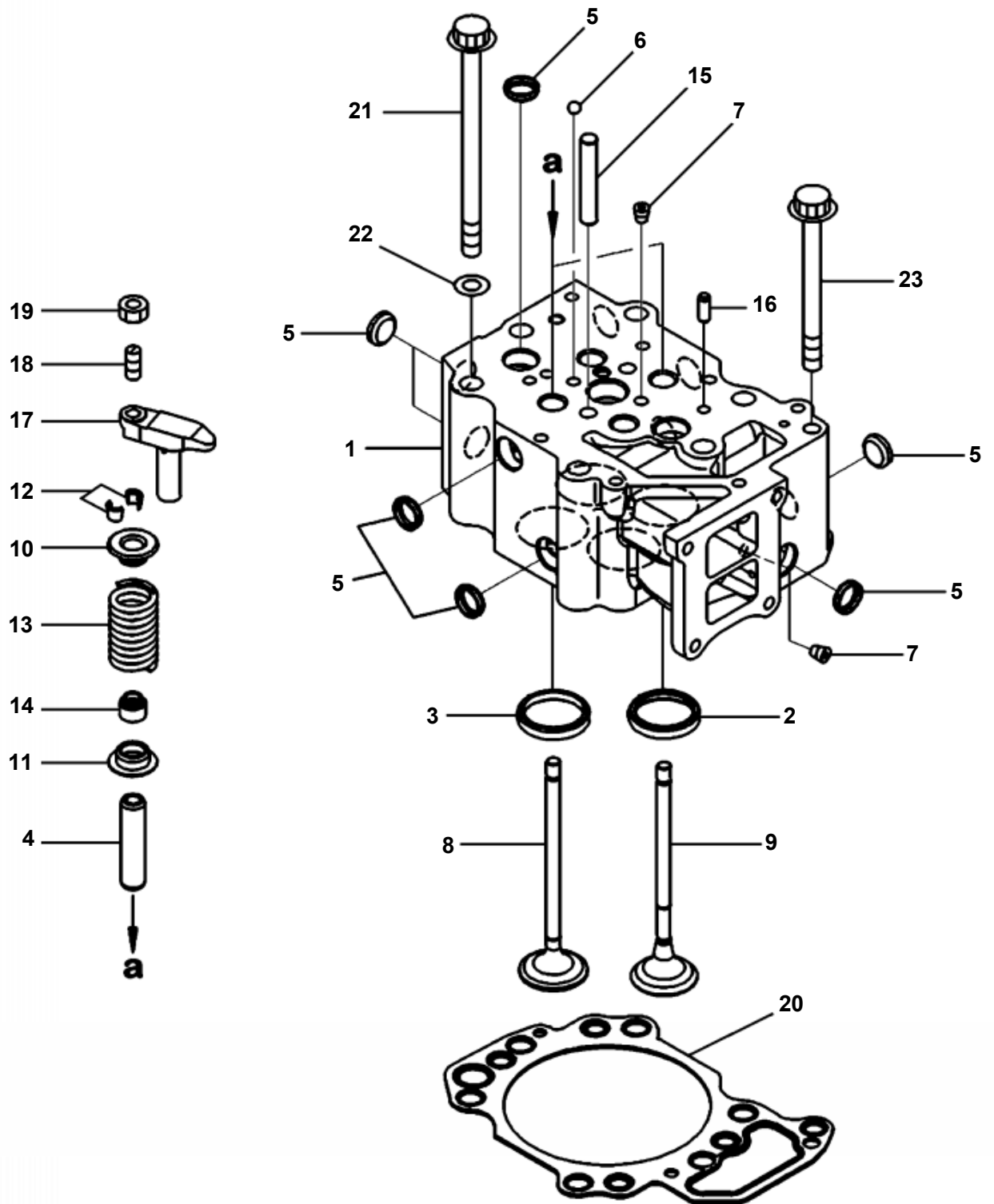
ENGINE

DESCRIPTION

CYLINDER HEAD
 ROCKER LEVER HOUSING
 VALVE COVER
 CRANKCASE BREATHER
 TURBOCHARGER MOUNTING AND LUBRICATING OIL PIPING
 TURBOCHARGER
 AIR INTAKE MANIFOLD AND PIPING
 EXHAUST MANIFOLD MOUNTING
 EXHAUST MUFFLER
 EGR (EXHAUST GAS RECIRCULATION) EGR VALVE AND COOLER MOUNTING
 EGR (EXHAUST GAS RECIRCULATION) EGR OIL PUMP
 EGR (EXHAUST GAS RECIRCULATION) EGR COOLER PIPING AND AIR VENT
 EGR (EXHAUST GAS RECIRCULATION) EGR VALVE LUBRICATING OIL PIPING
 CYLINDER BLOCK
 FRONT GEAR TRAIN COVER
 FRONT COVER MOUNTING AND POINTER
 IDLER GEAR
 ENGINE OIL PAN ORIGINAL RELEASE
 ENGINE OIL PAN NEW RELEASE
 FLYWHEEL
 CRANKSHAFT
 VIBRATION DAMPER
 CRANKSHAFT PULLEY
 PISTON AND CONNECTING ROD
 CAMSHAFT
 CYLINDER BLOCK COVERS
 CAM FOLLOWER COVER
 ENGINE OIL PUMP
 ENGINE OIL FILTER AND PIPING
 ENGINE OIL COOLER
 FUEL INJECTION PIPING
 FUEL INJECTION CONNECTOR COVERS
 FUEL FILTER AND PIPING THREAD 1-5/8
 FUEL PRE-FILTER AND MOUNTING THREAD 1-1/4
 FUEL PRIMING PUMP AND PIPING
 FUEL INJECTOR
 FUEL PUMP
 FUEL PUMP DRIVE
 COMMON RAIL
 FUEL INJECTION CONTROLLER
 FUEL RETURN PIPING
 FUEL PUMP AND COMMON RAIL RETURN PIPING
 WATER PUMP
 THERMOSTAT AND HOUSING
 CORROSION RESISTOR
 CORROSION RESISTOR WITHOUT RESISTOR
 COOLING FAN MOUNTING
 OIL COOLER DRAIN VALVE
 ALTERNATOR MOUNTING
 STARTING MOTOR MOUNTING
 ALTERNATOR 50 AMP
 STARTING MOTOR 7.5 KW
 COOLANT TEMPERATURE SENSOR
 HEAT SHIELD
 WIRING HARNESS ENGINE (1/2)
 WIRING HARNESS ENGINE (2/2)
 FRONT ENGINE MOUNT
 FLYWHEEL HOUSING
 ENGINE ASSEMBLY
 NAME PLATE AND CAUTION PLATE (ENGLISH)
 NAME PLATE AND CAUTION PLATE (FRENCH)

FIG A1103-B7A1

A1103-B7A1 CYLINDER HEAD



<https://www.ebooklibonline.com>

Hello dear friend!

Thank you very much for reading.

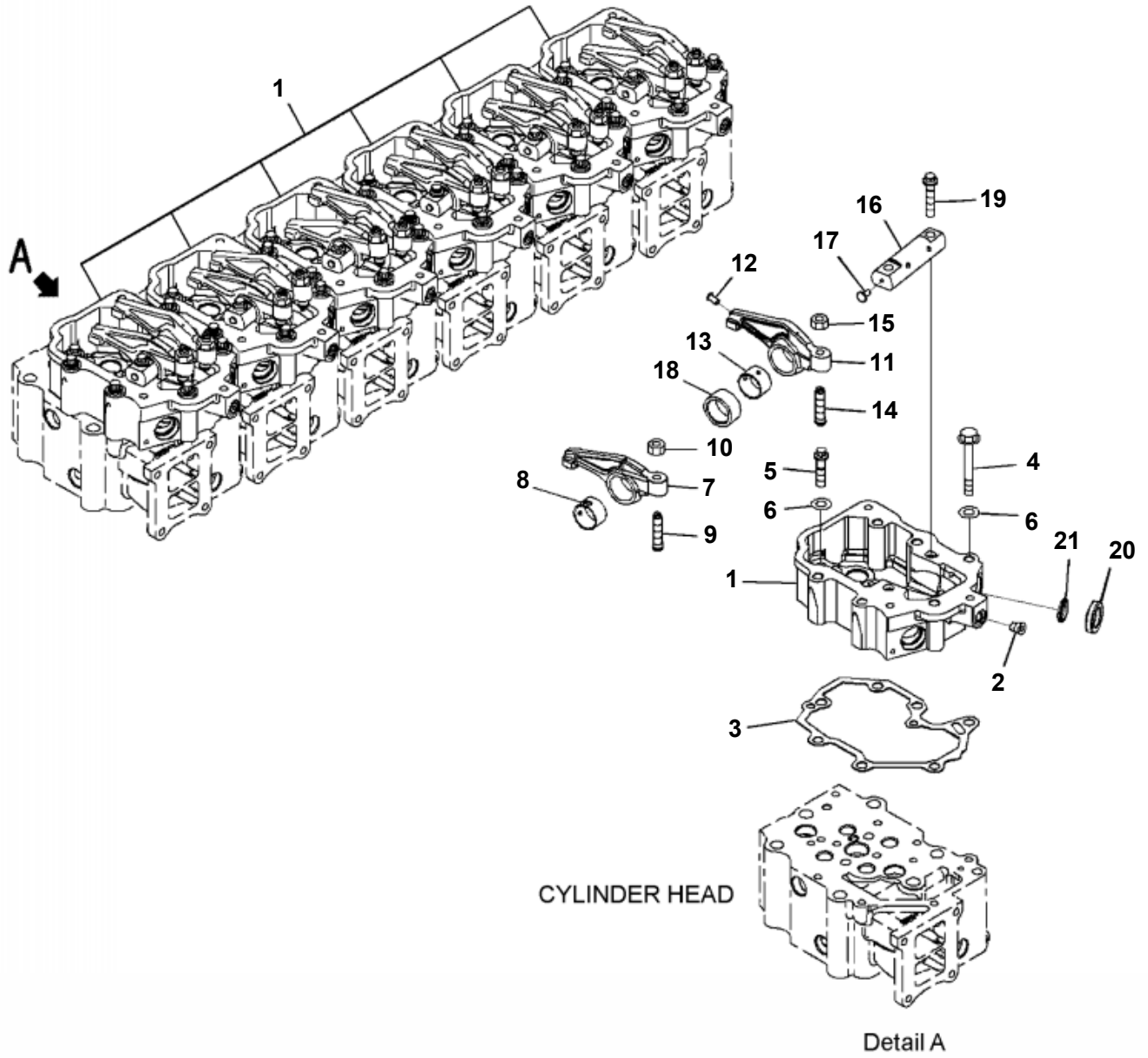
Enter the link into your browser.

The full manual is available for immediate download.

<https://www.ebooklibonline.com>

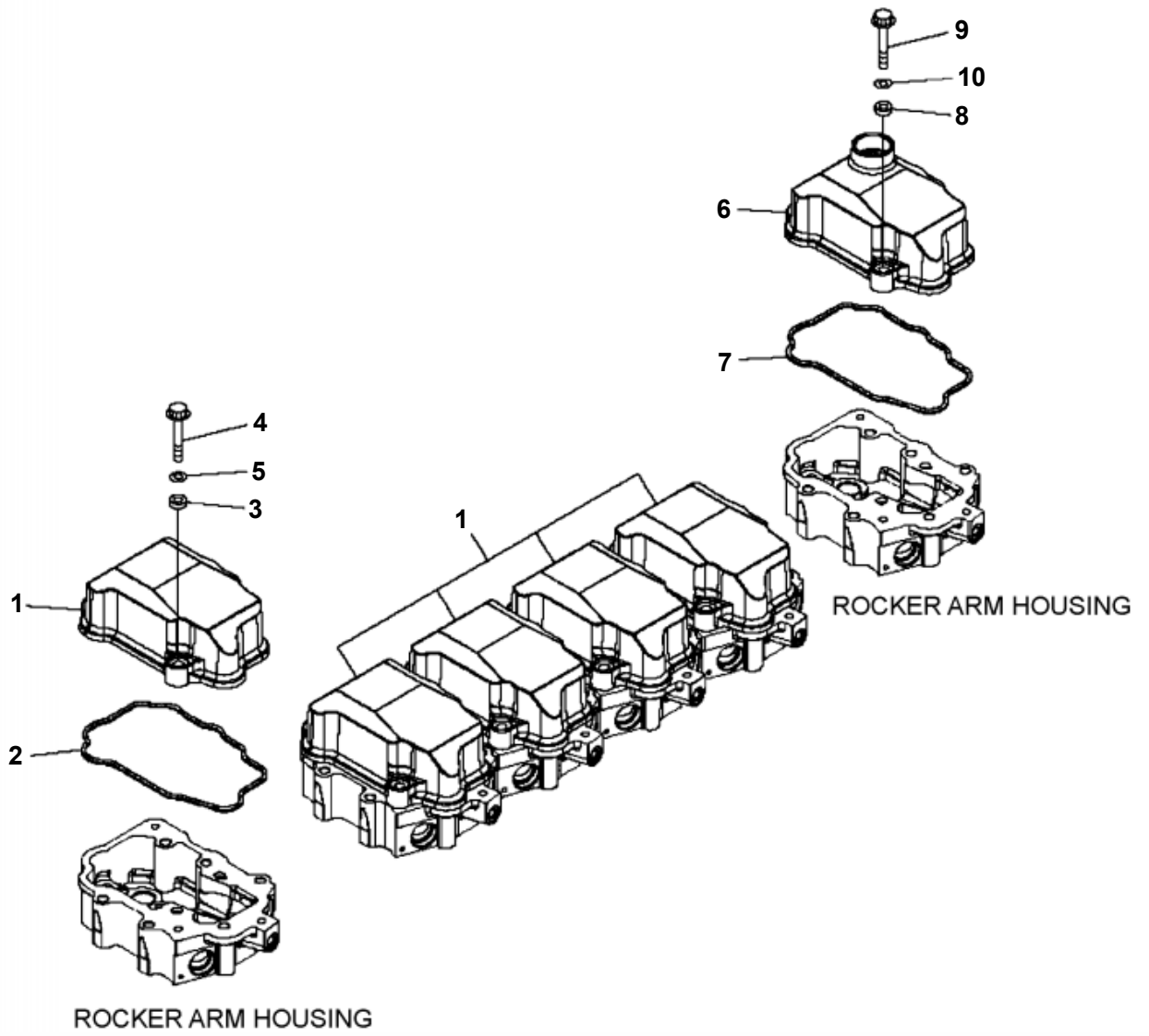
**WA480-6 S/N A48001-UP
A1103-B7A1 CYLINDER HEAD**

ITEM NO.	PART NO.	DESCRIPTION	Q'TY
	6251-11-1100	CYLINDER HEAD ASSEMBLY	6
1	(NSS)	· HEAD, CYLINDER	1
2	6150-11-1320	· INSERT, EXHAUST VALVE (STD)	2
N/I	6150-19-1320	· INSERT, 0.25 MM, EXHAUST VALVE (OS)	2
	6150-18-1320	· INSERT, 0.50 MM, EXHAUST VALVE (OS)	2
	6150-17-1320	· INSERT, 0.75 MM, EXHAUST VALVE (OS)	2
	6150-16-1320	· INSERT, 1.00 MM, EXHAUST VALVE (OS)	2
3	6251-11-1380	· SEAT, INTAKE VALVE (STD)	2
N/I	6251-19-1380	· INSERT, 0.25 MM, INTAKE VALVE (OS)	2
	6251-18-1380	· INSERT, 0.50 MM, INTAKE VALVE (OS)	2
	6251-17-1380	· INSERT, 0.75 MM, INTAKE VALVE (OS)	2
	6251-16-1380	· INSERT, 1.00 MM, INTAKE VALVE (OS)	2
4	6150-12-1370	· GUIDE, VALVE (SERVICE ONLY)	4
5	6162-13-1150	· PLUG, EXPANSION	11
6	04260-00793	· BALL	1
7	07043-70108	· PLUG	3
8	6150-42-4110	VALVE, INTAKE	12
9	6150-42-4210	VALVE, EXHAUST	12
10	6150-41-4510	SEAT, UPPER	24
11	6150-41-4430	SEAT, LOWER	24
12	6136-42-4520	COTTER, VALVE	48
13	6251-41-4450	SPRING, VALVE	24
14	6150-41-4570	SEAL, VALVE STEM	24
15	6210-11-1140	GUIDE, CROSSHEAD	12
16	04020-00820	PIN	12
	6150-42-5600	CROSSHEAD ASSEMBLY	12
17	6150-42-5610	· CROSSHEAD	1
18	6150-41-5621	· SCREW	1
19	6150-41-5630	· NUT	1
20	6251-11-1810	GASKET, CYLINDER HEAD, STANDARD	6
N/I	6150-11-1970	· GROMMET, OIL	1
	6150-11-1930	· GROMMET, OIL	1
	6150-11-1950	· GROMMET, WATER	4
	6150-12-1960	· GROMMET, WATER	1
	6150-11-1960	· GROMMET, OIL	5
20	6251-19-1810	GASKET, CYLINDER HEAD, OVERSIZE 0.40 MM	6
N/I	6150-19-1970	· GROMMET, OIL	1
	6150-19-1930	· GROMMET, OIL	1
	6150-19-1950	· GROMMET, WATER	4
	6150-19-1960	· GROMMET, WATER	1
	6251-19-1960	· GROMMET, WATER	1
21	6150-11-1620	BOLT	36
22	6164-31-3330	WASHER	36
23	01438-01020	BOLT	6



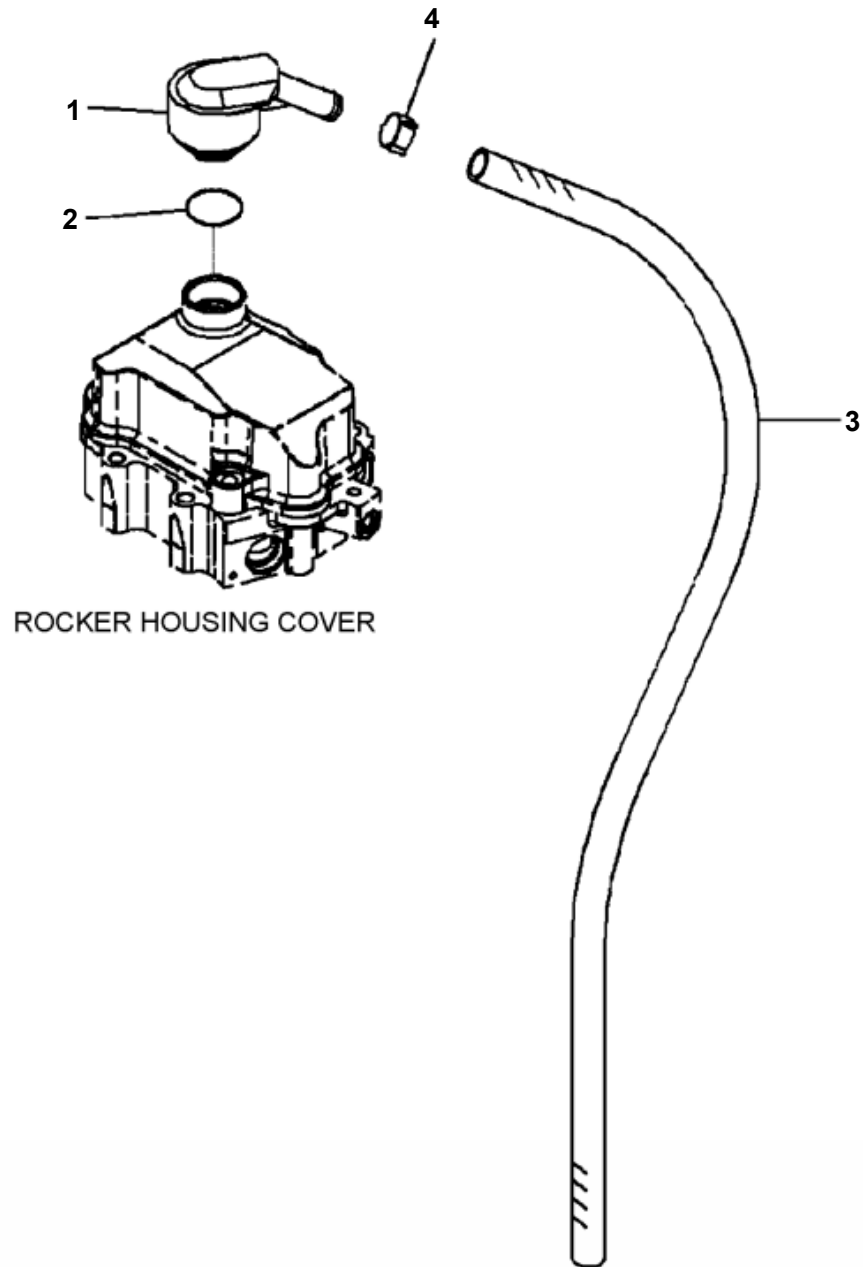
WA480-6 S/N A48001-UP
A1106-B7A1 ROCKER LEVER HOUSING

ITEM NO.	PART NO.	DESCRIPTION	Q'TY
	6251-11-7100	HOUSING ASSEMBLY	6
1	6251-11-7110	· HOUSING, ROCKER ARM	1
2	07043-30108	· PLUG, TAPER	1
3	6251-11-7220	GASKET	6
4	01437-01075	BOLT	34
5	6251-71-1170	BOLT	6
6	01643-31032	WASHER	40
	6150-41-5400	ARM ASSEMBLY, INTAKE	6
7	(NSS)	· ARM, ROCKER	1
8	6150-41-5420	· BUSHING	1
9	6150-41-5541	SCREW	6
10	01582-01008	NUT	6
	6154-41-5500	ARM ASSEMBLY, EXHAUST	6
11	(NSS)	· ARM, ROCKER	1
12	6162-43-5340	· RIVET	1
13	6150-41-5420	· BUSHING	1
14	6150-41-5541	SCREW	6
15	01582-01008	NUT	6
	6150-42-5300	SHAFT ASSEMBLY, ROCKER ARM	6
16	(NSS)	· SHAFT	1
17	6710-41-5340	· RIVET	1
18	6154-41-5321	COLLAR	6
19	6150-81-9370	BOLT	12
20	6251-11-8830	SEAL	6
21	6251-11-8840	RING	6



WA480-6 S/N A48001-UP
A1112-B7A3 VALVE COVER

ITEM NO.	PART NO.	DESCRIPTION	Q'TY
1	6251-11-8110	COVER, ROCKER ARM HOUSING	5
2	6251-11-8810	GASKET	5
3	6150-11-8820	SEAL, WASHER	10
4	6150-81-9370	BOLT	10
5	01640-21016	WASHER	10
6	6251-11-8150	COVER, ROCKER ARM HOUSING	1
7	6251-11-8810	GASKET	1
8	6150-11-8820	SEAL, WASHER	2
9	6150-81-9370	BOLT	2
10	01640-21016	WASHER	2

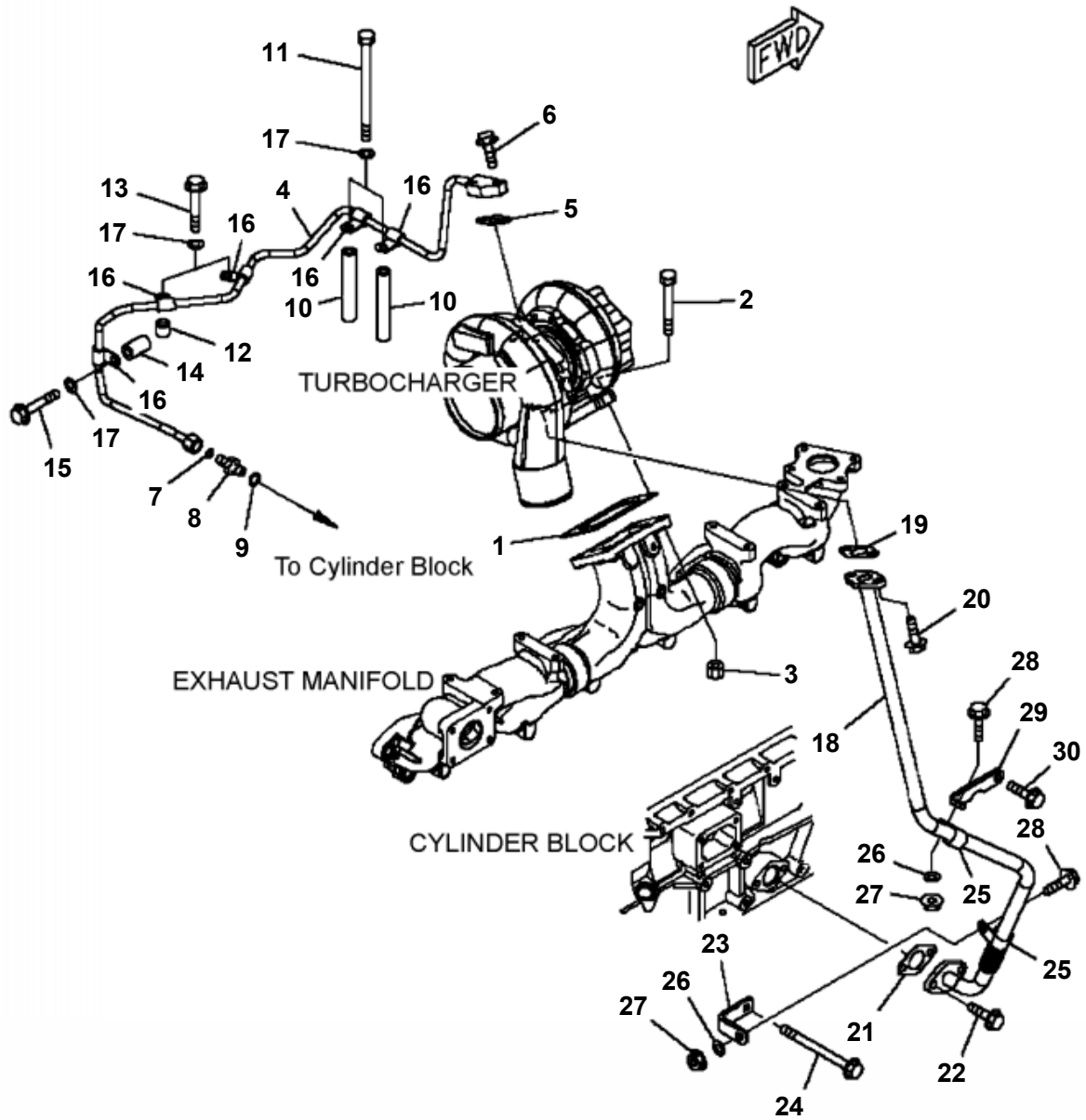


WA480-6 S/N A48001-UP
A1115-B7A2 CRANKCASE BREATHER

ITEM NO.	PART NO.	DESCRIPTION	Q'TY
1	6150-21-6710	BREATHER	1
2	6114-21-5190	O-RING	1
3	07287-01913	HOSE	1
4	07285-00220	CLIP	1

FIG A1120-B7A5

A1120-B7A5 TURBOCHARGER MOUNTING AND LUBRICATING OIL PIPING

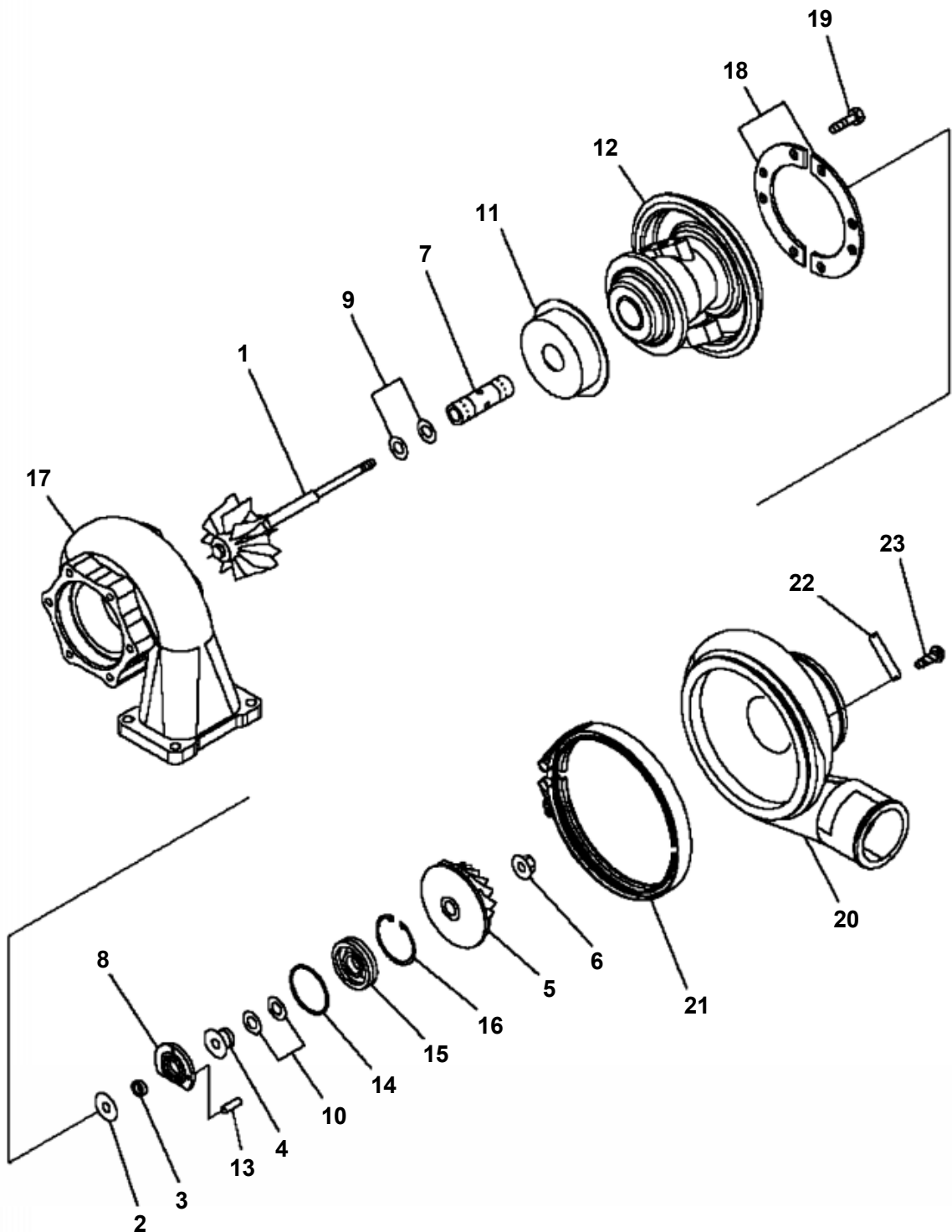


A1120-B7A5 TURBOCHARGER MOUNTING AND LUBRICATING OIL PIPING

ITEM NO.	PART NO.	DESCRIPTION	Q'TY
1	6251-11-5830	GASKET	1
2	01050-61045	BOLT	4
3	6114-11-5590	NUT	4
4	6251-51-8250	TUBE, SUPPLY	1
5	6221-51-8160	GASKET	1
6	01435-00830	BOLT	2
7	6251-51-9880	O-RING	1
8	6251-51-9850	UNION	1
9	6251-51-9890	O-RING	1
10	6151-51-5490	SPACER	2
11	01011-81095	BOLT	2
12	6631-11-5630	SPACER	1
13	01435-01085	BOLT	2
14	6150-81-6920	SPACER	1
15	01435-01060	BOLT	1
16	600-051-6100	CLIP	5
17	01643-31032	WASHER	5
18	6251-51-8570	TUBE, RETURN	1
19	6151-51-8151	GASKET	1
20	01435-01025	BOLT	2
21	6154-51-8310	GASKET	1
22	01435-01025	BOLT	2
23	6251-21-5480	BRACKET	1
24	01435-01095	BOLT	1
25	600-051-6190	CLIP	2
26	01643-31032	WASHER	2
27	01584-01008	NUT	2
28	01435-01025	BOLT	2
29	6251-21-5470	BRACKET	1
30	01435-01045	BOLT	1

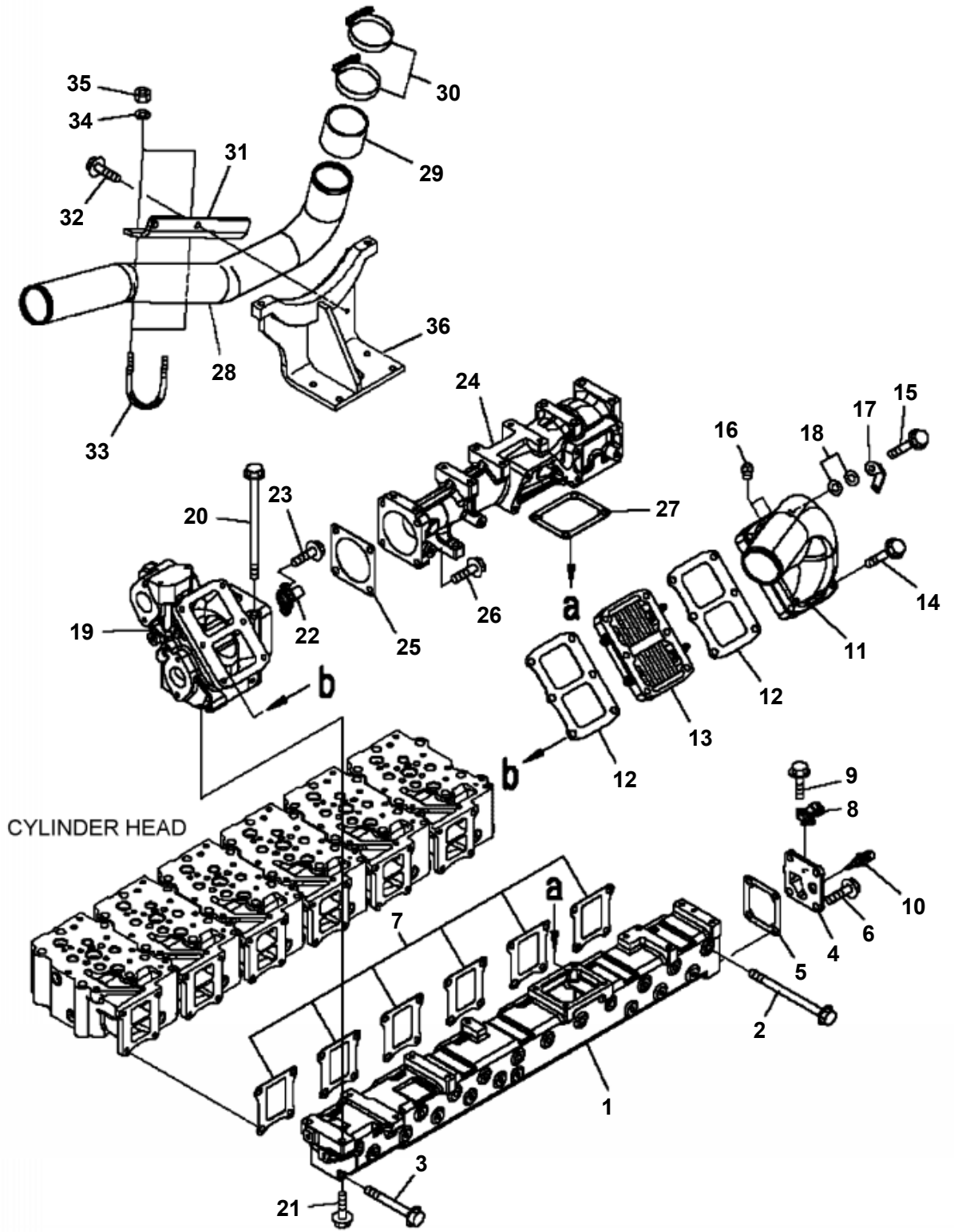
FIG A1203-B7A3

A1203-B7A3 TURBOCHARGER



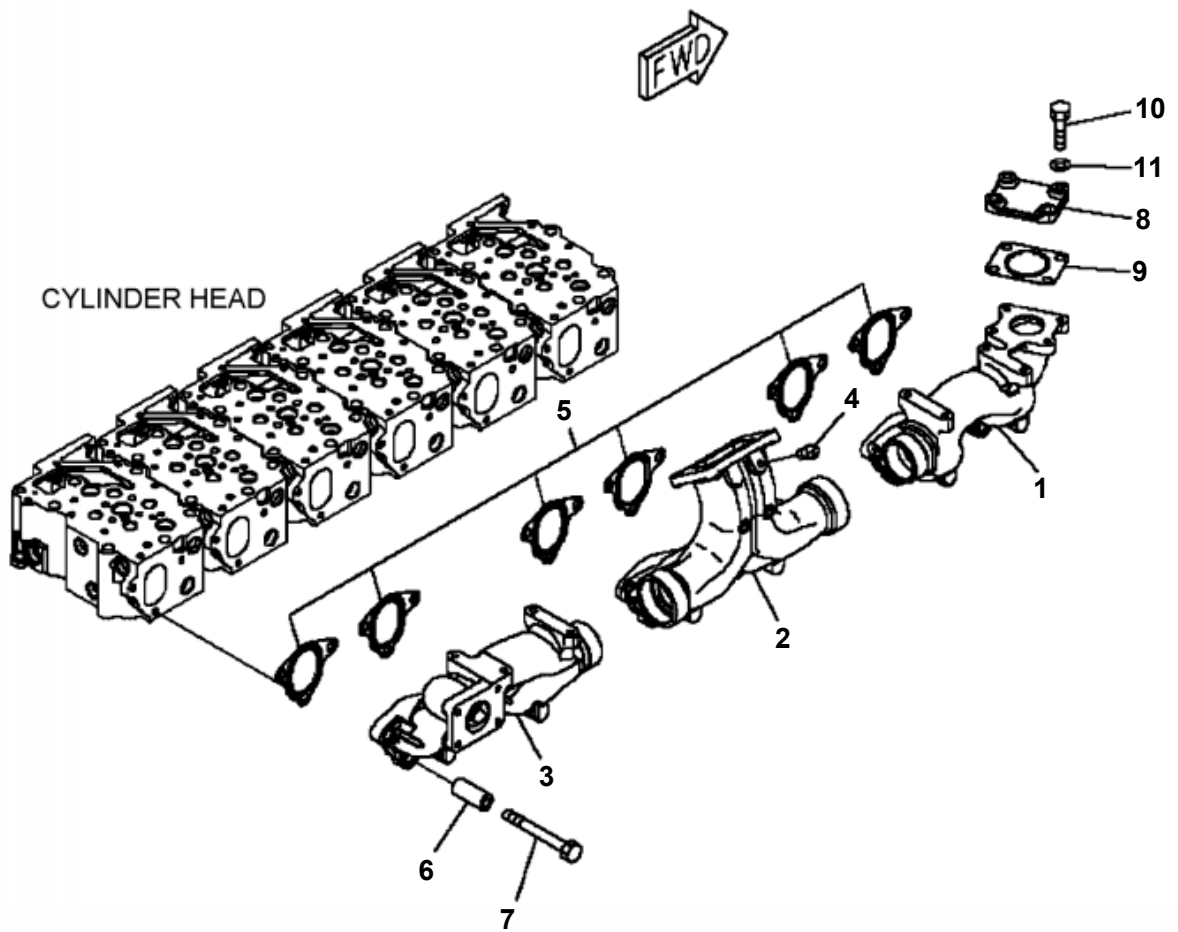
**WA480-6 S/N A48001-UP
A1203-B7A3 TURBOCHARGER**

ITEM NO.	PART NO.	DESCRIPTION	Q'TY	REF
	6506-21-5010	TURBOCHARGER ASSEMBLY	1	
	6506-21-5920	· CORE ASSEMBLY	1	
1	6506-21-3030	· · ROTOR, TURBINE	1	F1
2	6506-21-0210	· · PLATE	1	F1
3	6506-21-0230	· · SPACER	1	F1
4	6506-21-0250	· · FLINGER	1	F1
5	6506-21-1040	· · IMPELLER, BLOWER	1	F1
6	6506-21-0410	· · NUT, LOCK	1	F1
7	6506-21-0110	· · BEARING, JOURNAL	1	F1
8	6506-21-0150	· · BEARING, THRUST	1	F1
9	6505-11-0310	· · RING, TURBINE SEAL	2	F1
10	6506-21-0350	· · RING, BLOWER SEAL	2	F1
11	6506-21-0710	· · SHIELD, HEAT	1	F1
12	6506-21-0020	· · HOUSING, CENTER	1	F1
13	04022-04008	· · PIN, DOWEL	1	F1
14	07000-E2050	· · O-RING	1	F1
15	6506-21-0850	· · INSERT	1	F1
16	6505-71-0480	· · RING, SNAP	1	F1
17	6506-21-4230	· HOUSING, TURBINE	1	
18	6505-11-0520	· PLATE	2	
19	01020-01016	· BOLT	8	
20	6506-21-2040	· HOUSING, BLOWER	1	
21	6501-11-1721	· V-BAND	1	
22	6505-99-9011	· NAMEPLATE	1	
23	04418-02550	· SCREW	2	
F1 - THIS PART IS SUPPLIED AS PART OF THE ASSEMBLY. HOWEVER, IT IS AVAILABLE AS AN INDIVIDUAL PART TO AUTHORIZED DISTRIBUTORS ONLY.				



WA480-6 S/N A48001-UP
A1206-B7A3 AIR INTAKE MANIFOLD AND PIPING

ITEM NO.	PART NO.	DESCRIPTION	Q'TY
1	6251-11-4110	MANIFOLD, INTAKE	1
2	01436-01030	BOLT	12
3	01435-01080	BOLT	12
4	6251-11-4250	COVER	1
5	6251-11-4260	GASKET	1
6	01435-01025	BOLT	2
7	6150-13-4810	GASKET	6
8	6261-81-2700	SENSOR ASSEMBLY	1
N/I	6261-81-2710	· SENSOR, BOOST PRESSURE	1
	6261-81-2720	· O-RING	1
9	01435-00616	BOLT	2
10	6560-61-7300	SENSOR ASSEMBLY	1
N/I	6560-61-7310	· SENSOR, TEMPERATURE AIR INTAKE	1
	6735-21-1930	· O-RING	1
11	6251-11-4340	CONNECTOR	1
12	6251-11-4830	GASKET	2
13	600-815-3811	HEATER, RIBBON	1
14	01435-01070	BOLT	5
15	01435-01080	BOLT	1
16	07042-A0108	PLUG	2
17	6251-81-4520	PLATE	1
18	01643-31032	WASHER	2
19	6251-11-7210	HOUSING, AIR JUNCTION	1
20	01436-01060	BOLT	2
21	01435-01040	BOLT	2
22	6251-11-9720	NOZZLE, VENTURI	1
23	01437-10816	BOLT	2
24	6251-11-7410	CONNECTOR	1
25	6251-11-7450	GASKET	1
26	01435-01035	BOLT	4
27	6251-11-4820	GASKET	1
28	6251-11-4140	PIPE	1
29	6151-11-4410	HOSE	1
30	6152-12-4490	CLAMP	2
31	6251-11-4150	BRACKET	1
32	01435-01025	BOLT	2
33	07283-37663	U-BOLT	2
34	01643-31032	WASHER	4
35	01597-01009	NUT	4
36		BRACKET (SEE FIG. A1215-B7A2)	

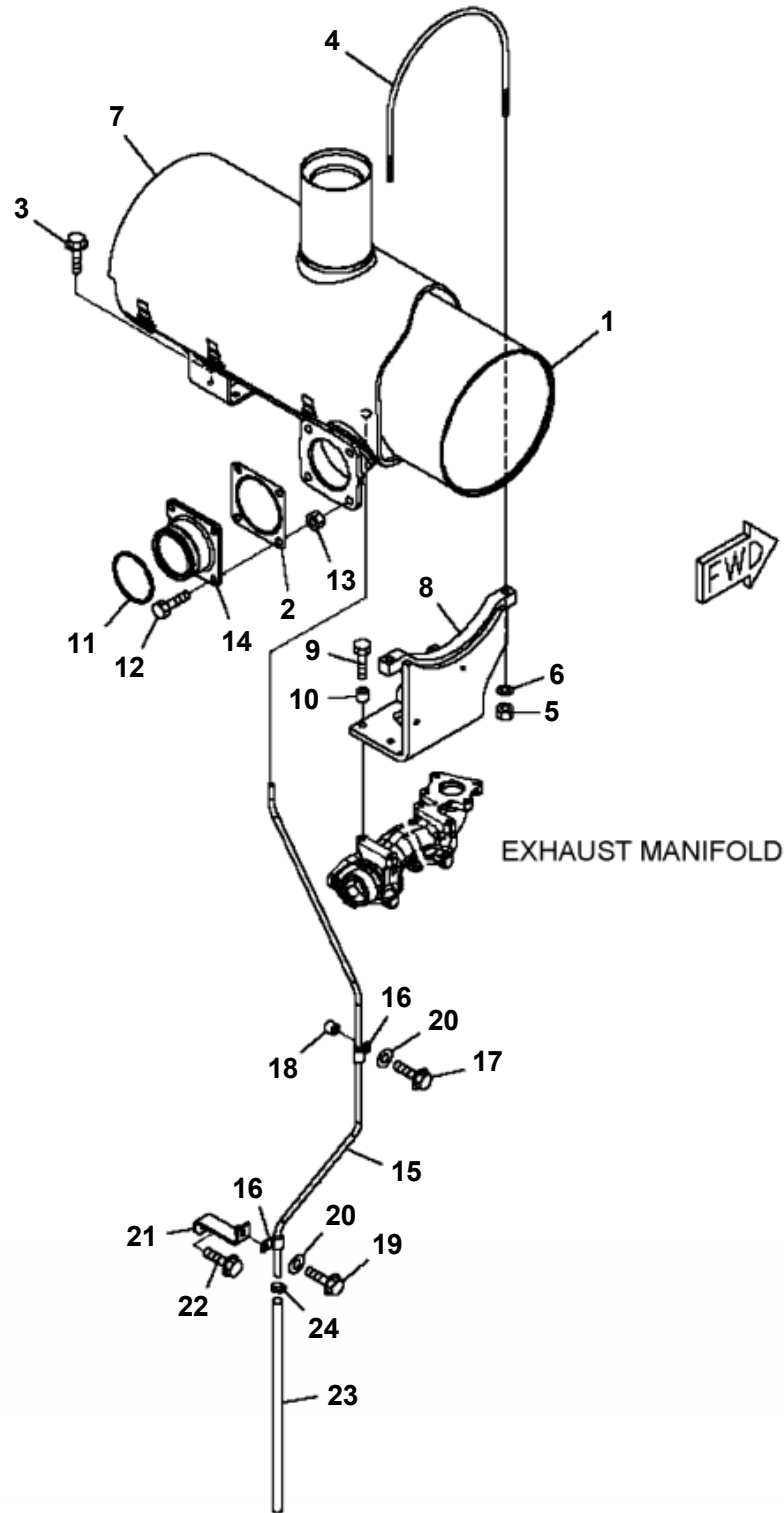


WA480-6 S/N A48001-UP
A1209-B7A3 EXHAUST MANIFOLD MOUNTING

ITEM NO.	PART NO.	DESCRIPTION	Q'TY
1	6251-11-5110	MANIFOLD, FRONT	1
2	6251-11-5140	MANIFOLD, CENTER	1
3	6251-11-5130	MANIFOLD, REAR	1
4	6215-11-5920	PLUG	1
5	6152-15-5830	GASKET	6
6	6134-11-5120	SPACER	18
7	01010-E1080	BOLT	18
8	6251-11-4210	COVER	1
9	6261-11-9520	GASKET	1
10	01010-E1035	BOLT	4
11	01643-31032	WASHER	4

FIG A1215-B7A2

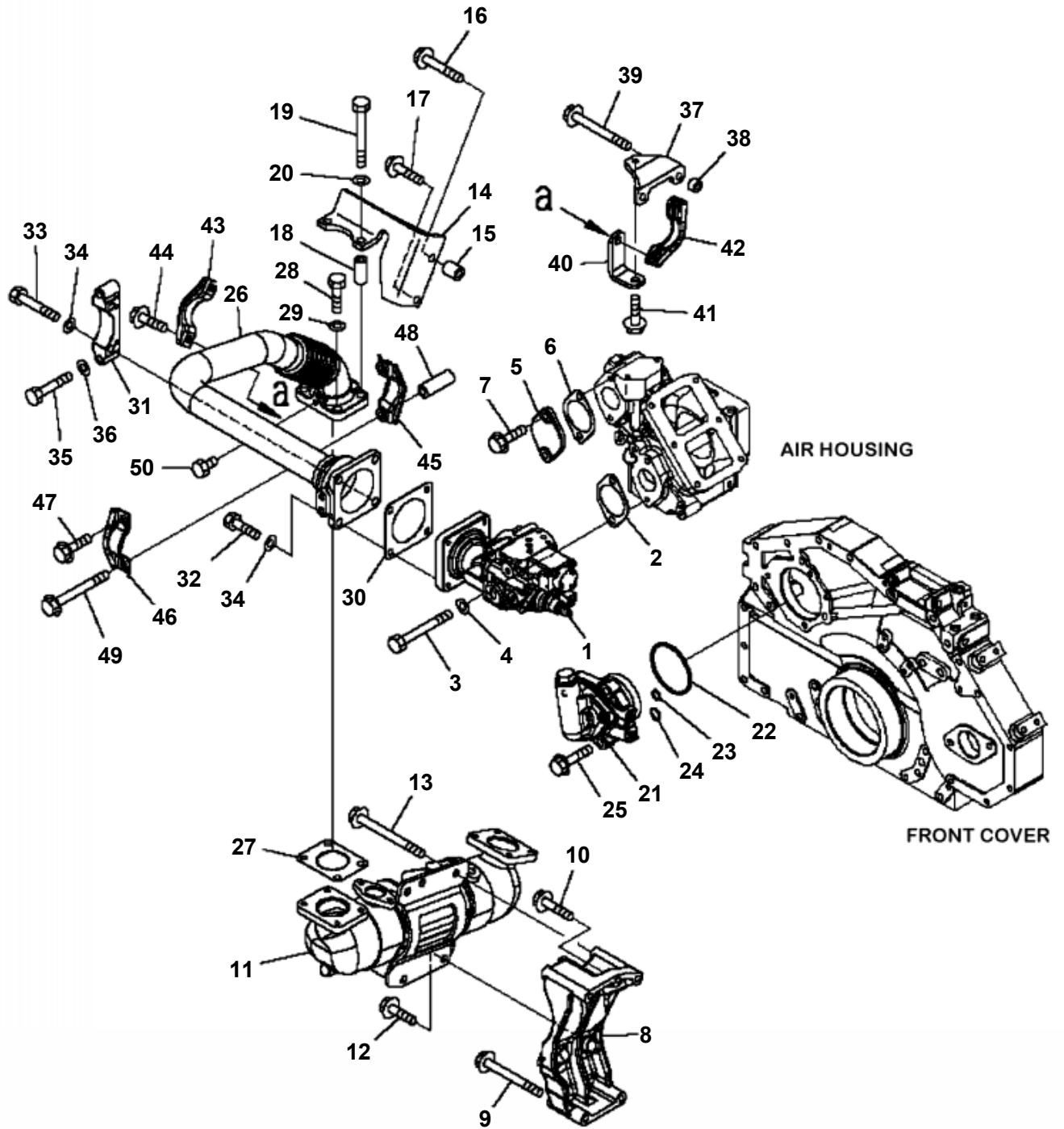
A1215-B7A2 EXHAUST MUFFLER



**WA480-6 S/N A48001-UP
A1215-B7A2 EXHAUST MUFFLER**

ITEM NO.	PART NO.	DESCRIPTION	Q'TY
1	6251-11-5910	MUFFLER	1
2	6150-11-5751	GASKET	1
3	01435-01030	BOLT	4
4	6222-11-5940	U-BOLT	1
5	6215-11-5740	NUT	2
6	01643-31032	WASHER	2
7	6251-11-5720	COVER, SHIELD	1
8	6251-11-5740	BRACKET	1
9	01010-E1045	BOLT	4
10	6631-11-5630	SPACER	4
11	6151-11-5280	RING, SEAL	1
12	01050-61240	BOLT	4
13	6685-11-5550	NUT	4
14	6251-11-5380	JOINT	1
15	6251-11-5750	TUBE, DRAIN	1
16	600-051-6100	CLIP	2
17	01435-01035	BOLT	1
18	6631-11-5630	SPACER	1
19	01435-01020	BOLT	1
20	01643-31032	WASHER	2
21	6251-11-5760	BRACKET	1
22	01435-01030	BOLT	1
23	07260-20960	HOSE	1
24	07281-00197	CLAMP	1

FIG A1216-B7B7 A1216-B7B7 EGR (EXHAUST GAS RECIRCULATION) EGR VALVE AND COOLER MOUNTING



WA480-6 S/N A48001-UP
A1216-B7B7 EGR (EXHAUST GAS RECIRCULATION) EGR VALVE AND COOLER
MOUNTING

ITEM NO.	PART NO.	DESCRIPTION	Q'TY
1	6261-41-4900	VALVE ASSEMBLY, EGR	1
2	6166-61-6341	GASKET	1
3	01011-E1005	BOLT	2
4	01643-31032	WASHER	2
5	6251-11-4220	COVER	1
6	6166-61-6341	GASKET	1
7	01435-01025	BOLT	2
8	6251-21-6610	BRACKET	1
9	01435-01090	BOLT	2
10	01435-01035	BOLT	1
11	6251-61-7100	COOLER ASSEMBLY, EGR	1
12	01435-01020	BOLT	1
13	01436-01020	BOLT	2
14	6251-61-7150	BRACKET	1
15	6128-21-6730	SPACER	1
16	01435-01050	BOLT	1
17	01435-01025	BOLT	1
18	6933-21-6330	SPACER	2
19	01010-E1085	BOLT	2
20	01643-31032	WASHER	2
21		OIL PUMP ASSEMBLY (SEE FIG. A1216-B7B8)	1
22	07000-72085	O-RING	1
23	07000-72012	O-RING	1
24	07000-72015	O-RING	1
25	01435-01035	BOLT	3
26	6251-11-9320	TUBE	1
27	6261-11-9520	GASKET	1
28	01010-E1030	BOLT	2
29	01643-31032	WASHER	2
30	6207-11-5390	GASKET	1
31	6251-11-9150	PLATE	1
32	01010-E1030	BOLT	2
33	01010-E1060	BOLT	2
34	01643-31032	WASHER	4
35	01010-81050	BOLT	2
36	01643-31032	WASHER	2
37	6251-11-9210	BRACKET	1
38	6131-12-5920	SPACER	2
39	01435-01090	BOLT	2
40	6251-11-9220	BRACKET	1
41	01435-01020	BOLT	1
42	6251-11-9130	CLAMP, HALF	1
43	6251-11-9170	CLAMP, HALF	1
44	01435-01025	BOLT	2
45	6251-11-9180	CLAMP, HALF	1
46	6251-11-9170	CLAMP, HALF	1
47	01435-01025	BOLT	1
48	6112-23-6971	SPACER	1
49	01435-01085	BOLT	1
50	6215-11-5920	PLUG	1



Suggest:

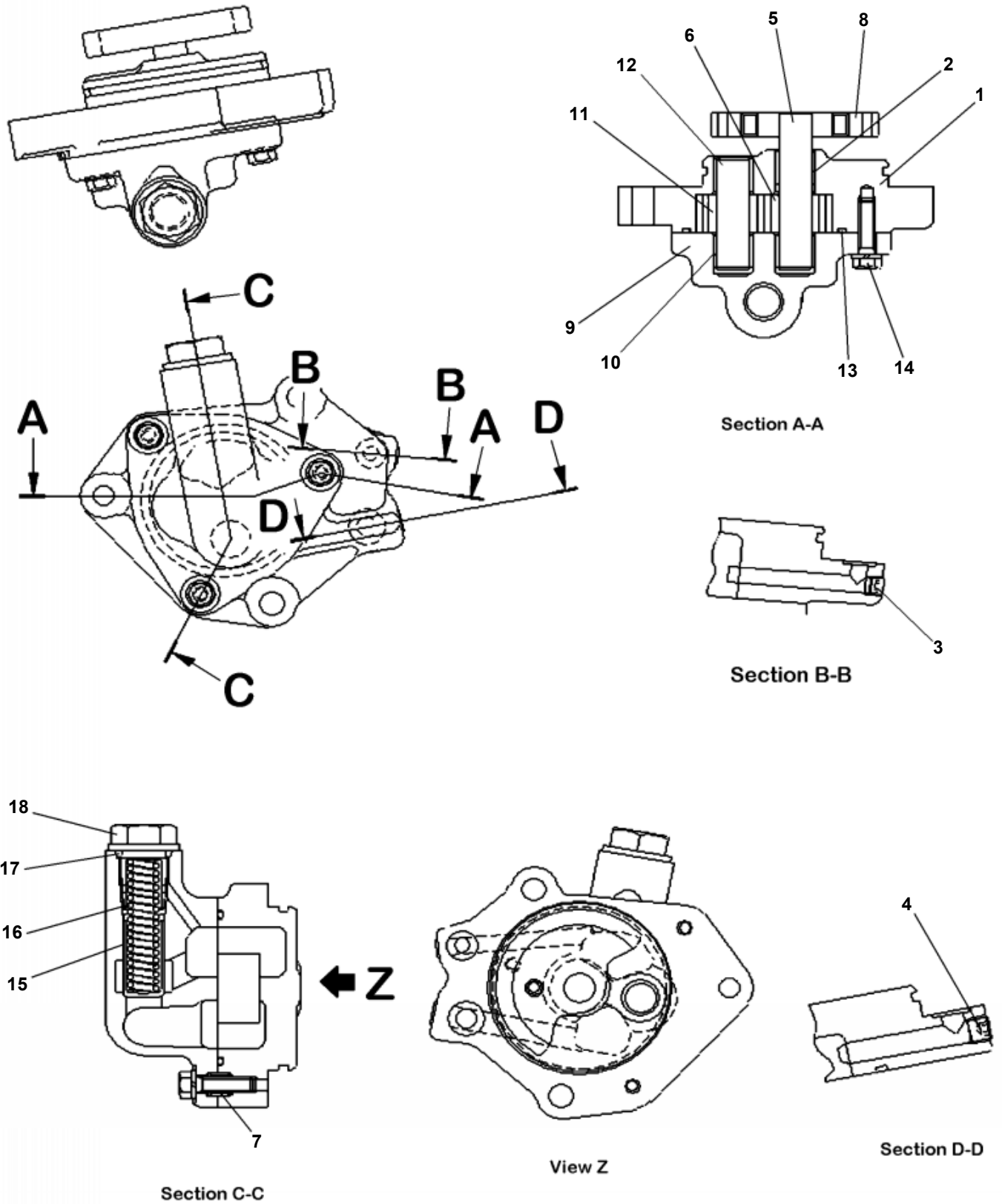
For more complete manuals. Please go to the home page.

<https://www.ebooklibonline.com>

If the above button click is invalid. Please download this document first, and then click the above link to download the complete manual.

Thank you so much for reading

FIG A1216-B7B8 A1216-B7B8 EGR (EXHAUST GAS RECIRCULATION) EGR OIL PUMP



A1216-B7B8 EGR (EXHAUST GAS RECIRCULATION) EGR OIL PUMP

ITEM NO.	PART NO.	DESCRIPTION	Q'TY
	6251-51-9100	OIL PUMP ASSEMBLY, EGR	1
	PML160-12400	· CASE ASSEMBLY, GEAR	1
	(NSS)	· · CASE ASSEMBLY	1
1	(NSS)	· · · CASE	1
2	(NSS)	· · · BUSHING	2
3	(NSS)	· · · PLUG	1
4	(NSS)	· · · PLUG	1
		· · GEAR ASSEMBLY, DRIVE	1
5	(NSS)	· · · SHAFT, DRIVE	1
6	(NSS)	· · · GEAR, DRIVE	1
7	(NSS)	· · PIN, DOWEL	2
8	(NSS)	· · GEAR, HEAD	1
	PML152-07801	· COVER ASSEMBLY	1
9	(NSS)	· · COVER	1
10	(NSS)	· · BUSHING	2
	6261-51-9200	· GEAR ASSEMBLY, DRIVEN	1
11	(NSS)	· · GEAR, DRIVEN	1
12	(NSS)	· · SHAFT, DRIVEN	1
13	6261-51-9230	· O-RING	1
14	PML199-00210	· BOLT	3
15	6261-51-2140	· VALVE	1
16	PML137-05901	· SPRING	1
17	07002-22434	· O-RING	1
18	PML139-01700	· PLUG	1

<https://www.ebooklibonline.com>

Hello dear friend!

Thank you very much for reading.

Enter the link into your browser.

The full manual is available for immediate download.

<https://www.ebooklibonline.com>