

**WA480-6 S/N 47001-UP**  
**WA480-6 S/N 47001-UP**

**DESCRIPTION**

**ENGINE**  
**ENGINE RELATED PARTS**  
**COOLING SYSTEM**  
**FUEL TANK AND RELATED PARTS**  
**ELECTRICAL SYSTEM**  
**POWER TRAIN AND FINAL DRIVE**  
**HYDRAULIC SYSTEM**  
**MAIN/REVOLVING FRAME AND RELATED PARTS**  
**OPERATOR\rd5 S COMPARTMENT AND CONTROL SYSTEM**  
**GUARD**  
**SUSPENSION AND WHEEL RELATED PARTS**  
**WORK EQUIPMENT**  
**MARKS AND PLATES**

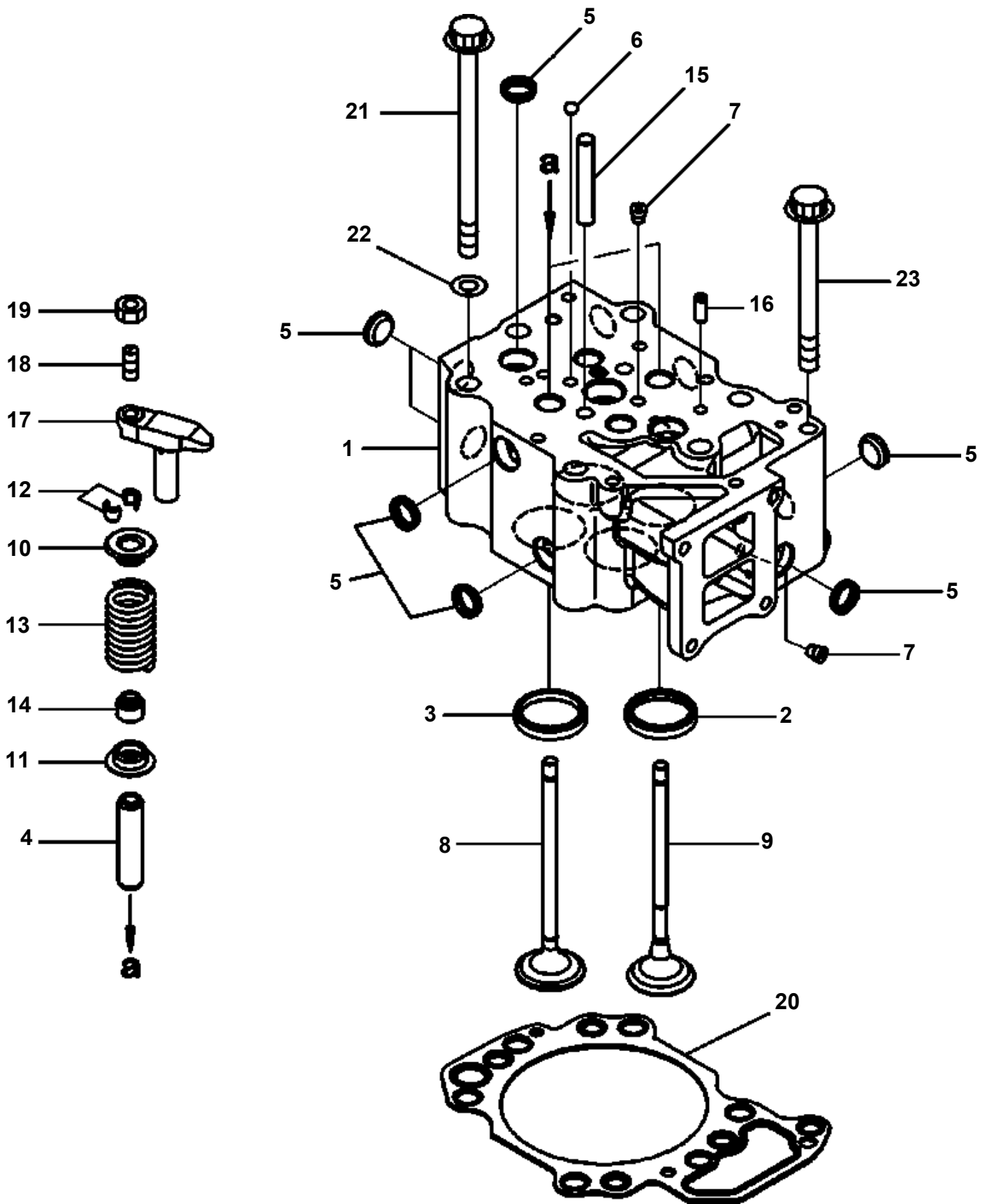
**ENGINE**

DESCRIPTION

CYLINDER HEAD  
 ROCKER LEVER HOUSING  
 VALVE COVER  
 CRANKCASE BREATHER  
 TURBOCHARGER MOUNTING AND LUBRICATING OIL PIPING  
 TURBOCHARGER  
 AIR INTAKE MANIFOLD AND PIPING  
 EXHAUST MANIFOLD MOUNTING  
 EXHAUST MUFFLER  
 EGR (EXHAUST GAS RECIRCULATION) EGR VALVE AND COOLER MOUNTING  
 EGR (EXHAUST GAS RECIRCULATION) EGR COOLER PIPING AND AIR VENT  
 EGR (EXHAUST GAS RECIRCULATION) EGR VALVE LUBRICATING OIL PIPING  
 CYLINDER BLOCK  
 FRONT GEAR TRAIN COVER  
 FRONT COVER MOUNTING AND POINTER  
 IDLER GEAR  
 ENGINE OIL PAN  
 FLYWHEEL  
 CRANKSHAFT  
 VIBRATION DAMPER  
 CRANKSHAFT PULLEY  
 PISTON AND CONNECTING ROD  
 CAMSHAFT  
 CYLINDER BLOCK COVERS  
 CAM FOLLOWER COVER  
 ENGINE OIL PUMP  
 ENGINE OIL FILTER AND PIPING  
 ENGINE OIL COOLER  
 FUEL INJECTION PIPING  
 FUEL INJECTION CONNECTOR COVERS  
 FUEL FILTER AND PIPING THREAD 1-5/8  
 FUEL PRE-FILTER AND MOUNTING THREAD 1-1/4  
 FUEL PRIMING PUMP AND PIPING  
 FUEL INJECTOR  
 FUEL PUMP  
 FUEL PUMP DRIVE  
 COMMON RAIL  
 FUEL INJECTION CONTROLLER  
 FUEL RETURN PIPING  
 FUEL PUMP AND COMMON RAIL RETURN PIPING  
 WATER PUMP  
 THERMOSTAT AND HOUSING  
 CORROSION RESISTOR  
 CORROSION RESISTOR WITHOUT RESISTOR  
 COOLING FAN MOUNTING  
 OIL COOLER DRAIN VALVE  
 ALTERNATOR MOUNTING  
 STARTING MOTOR MOUNTING  
 ALTERNATOR 50 AMP  
 STARTING MOTOR 7.5 KW  
 COOLANT TEMPERATURE SENSOR  
 HEAT SHIELD  
 WIRING HARNESS ENGINE (1/2)  
 WIRING HARNESS ENGINE (2/2)  
 FRONT ENGINE MOUNT  
 FLYWHEEL HOUSING  
 ENGINE ASSEMBLY

FIG A1103-B7A1

A1103-B7A1 CYLINDER HEAD



**<https://www.ebooklibonline.com>**

Hello dear friend!

Thank you very much for reading.

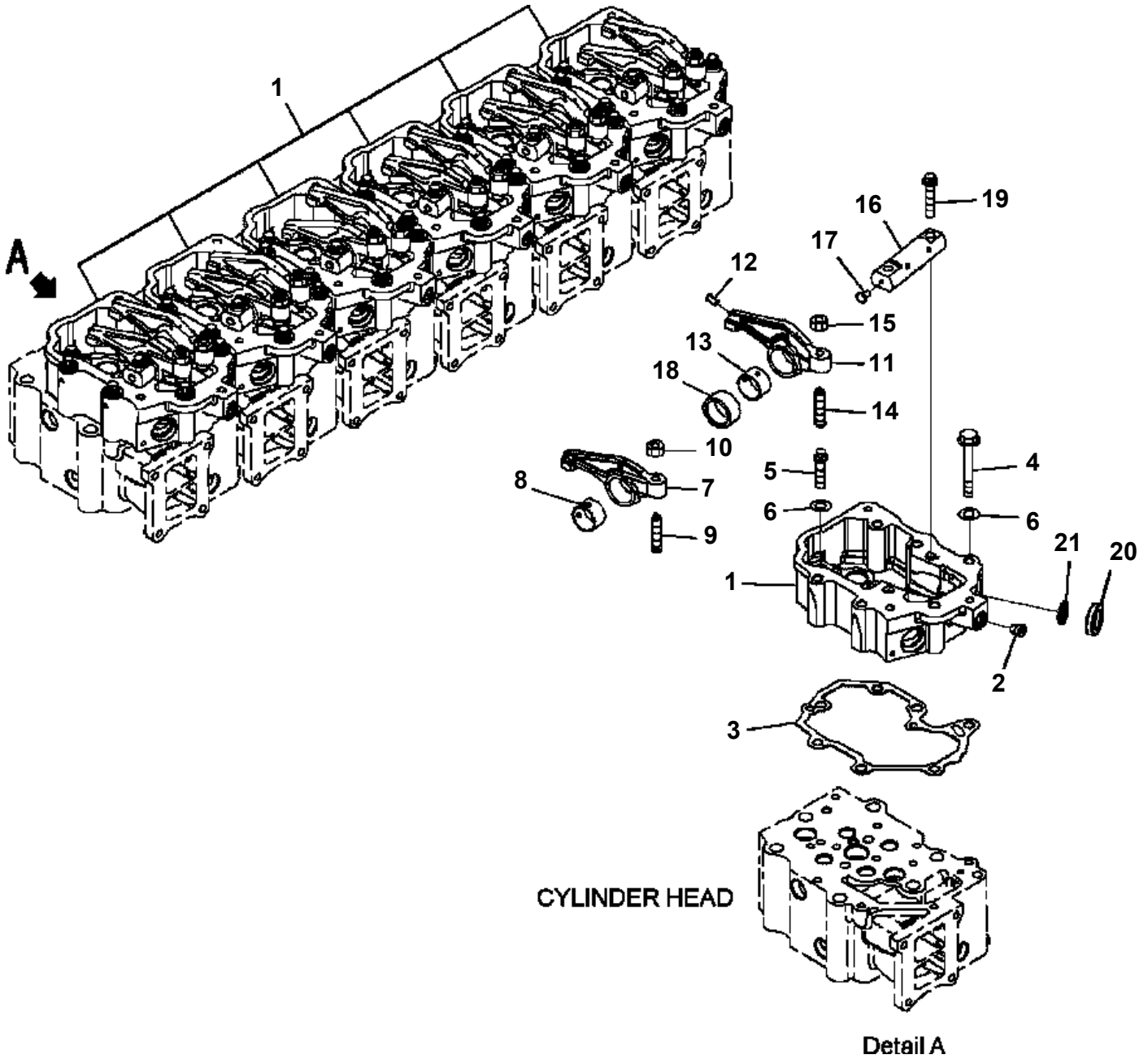
Enter the link into your browser.

The full manual is available for immediate download.

**<https://www.ebooklibonline.com>**

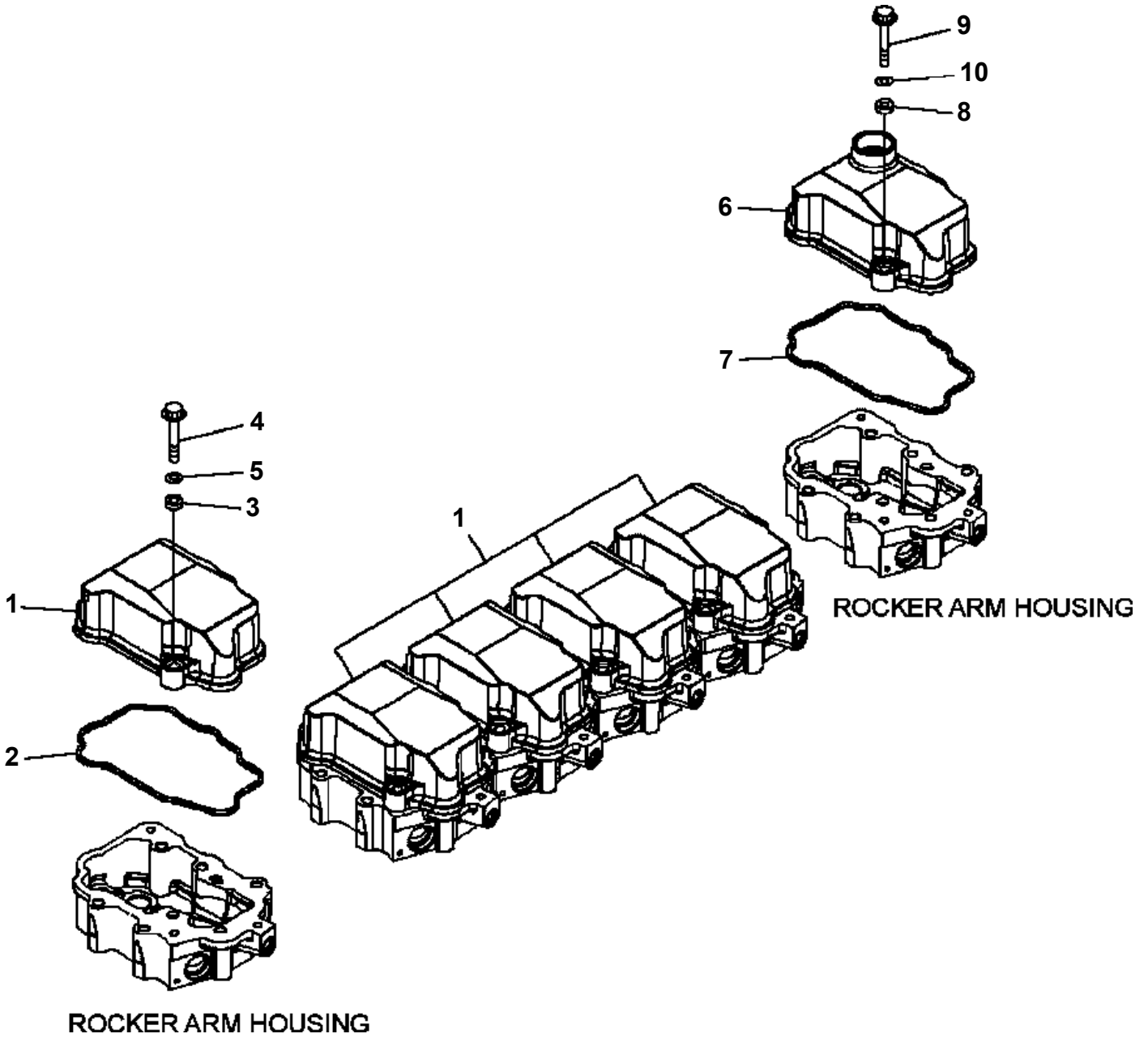
**WA480-6 S/N 47001-UP  
A1103-B7A1 CYLINDER HEAD**

ITEM NO.	PART NO.	DESCRIPTION	Q'TY
	6251-11-1100	CYLINDER HEAD ASSEMBLY	6
1	(NSS)	· HEAD, CYLINDER	1
2	6150-11-1320	· INSERT, EXHAUST VALVE (STD)	2
N/I	6150-19-1320	· INSERT, 0.25 MM, EXHAUST VALVE (OS)	2
	6150-18-1320	· INSERT, 0.50 MM, EXHAUST VALVE (OS)	2
	6150-17-1320	· INSERT, 0.75 MM, EXHAUST VALVE (OS)	2
	6150-16-1320	· INSERT, 1.00 MM, EXHAUST VALVE (OS)	2
3	6251-11-1380	· SEAT, INTAKE VALVE (STD)	2
N/I	6251-19-1380	· INSERT, 0.25 MM, INTAKE VALVE (OS)	2
	6251-18-1380	· INSERT, 0.50 MM, INTAKE VALVE (OS)	2
	6251-17-1380	· INSERT, 0.75 MM, INTAKE VALVE (OS)	2
	6251-16-1380	· INSERT, 1.00 MM, INTAKE VALVE (OS)	2
4	6150-12-1370	· GUIDE, VALVE (SERVICE ONLY)	4
5	6162-13-1150	· PLUG, EXPANSION	11
6	04260-00793	· BALL	1
7	07043-70108	· PLUG	3
8	6150-42-4110	VALVE, INTAKE	12
9	6150-42-4210	VALVE, EXHAUST	12
10	6150-41-4510	SEAT, UPPER	24
11	6150-41-4430	SEAT, LOWER	24
12	6136-42-4520	COTTER, VALVE	48
13	6251-41-4450	SPRING, VALVE	24
14	6150-41-4570	SEAL, VALVE STEM	24
15	6210-11-1140	GUIDE, CROSSHEAD	12
16	04020-00820	PIN	12
	6150-42-5600	CROSSHEAD ASSEMBLY	12
17	6150-42-5610	· CROSSHEAD	1
18	6150-41-5621	· SCREW	1
19	6150-41-5630	· NUT	1
20	6251-11-1810	GASKET, CYLINDER HEAD, STANDARD	6
N/I	6150-11-1970	· GROMMET, OIL	1
	6150-11-1930	· GROMMET, OIL	1
	6150-11-1950	· GROMMET, WATER	4
	6150-12-1960	· GROMMET, WATER	1
	6150-11-1960	· GROMMET, OIL	5
20	6251-19-1810	GASKET, CYLINDER HEAD, OVERSIZE 0.40 MM	6
N/I	6150-19-1970	· GROMMET, OIL	1
	6150-19-1930	· GROMMET, OIL	1
	6150-19-1950	· GROMMET, WATER	4
	6150-19-1960	· GROMMET, WATER	1
	6251-19-1960	· GROMMET, WATER	1
21	6150-11-1620	BOLT	36
22	6164-31-3330	WASHER	36
23	01438-01020	BOLT	6



**WA480-6 S/N 47001-UP**  
**A1106-B7A1 ROCKER LEVER HOUSING**

ITEM NO.	PART NO.	DESCRIPTION	Q'TY
	6251-11-7100	HOUSING ASSEMBLY	6
1	6251-11-7110	· HOUSING, ROCKER ARM	1
2	07043-30108	· PLUG, TAPER	1
3	6251-11-7220	GASKET	6
4	01437-01075	BOLT	34
5	6251-71-1170	BOLT	6
6	01643-31032	WASHER	40
	6150-41-5400	ARM ASSEMBLY, INTAKE	6
7	(NSS)	· ARM, ROCKER	1
8	6150-41-5420	· BUSHING	1
9	6150-41-5541	SCREW	6
10	01582-01008	NUT	6
	6154-41-5500	ARM ASSEMBLY, EXHAUST	6
11	(NSS)	· ARM, ROCKER	1
12	6162-43-5340	· RIVET	1
13	6150-41-5420	· BUSHING	1
14	6150-41-5541	SCREW	6
15	01582-01008	NUT	6
	6150-42-5300	SHAFT ASSEMBLY, ROCKER ARM	6
16	(NSS)	· SHAFT	1
17	6710-41-5340	· RIVET	1
18	6154-41-5321	COLLAR	6
19	6150-81-9370	BOLT	12
20	6251-11-8830	SEAL	6
21	6251-11-8840	RING	6

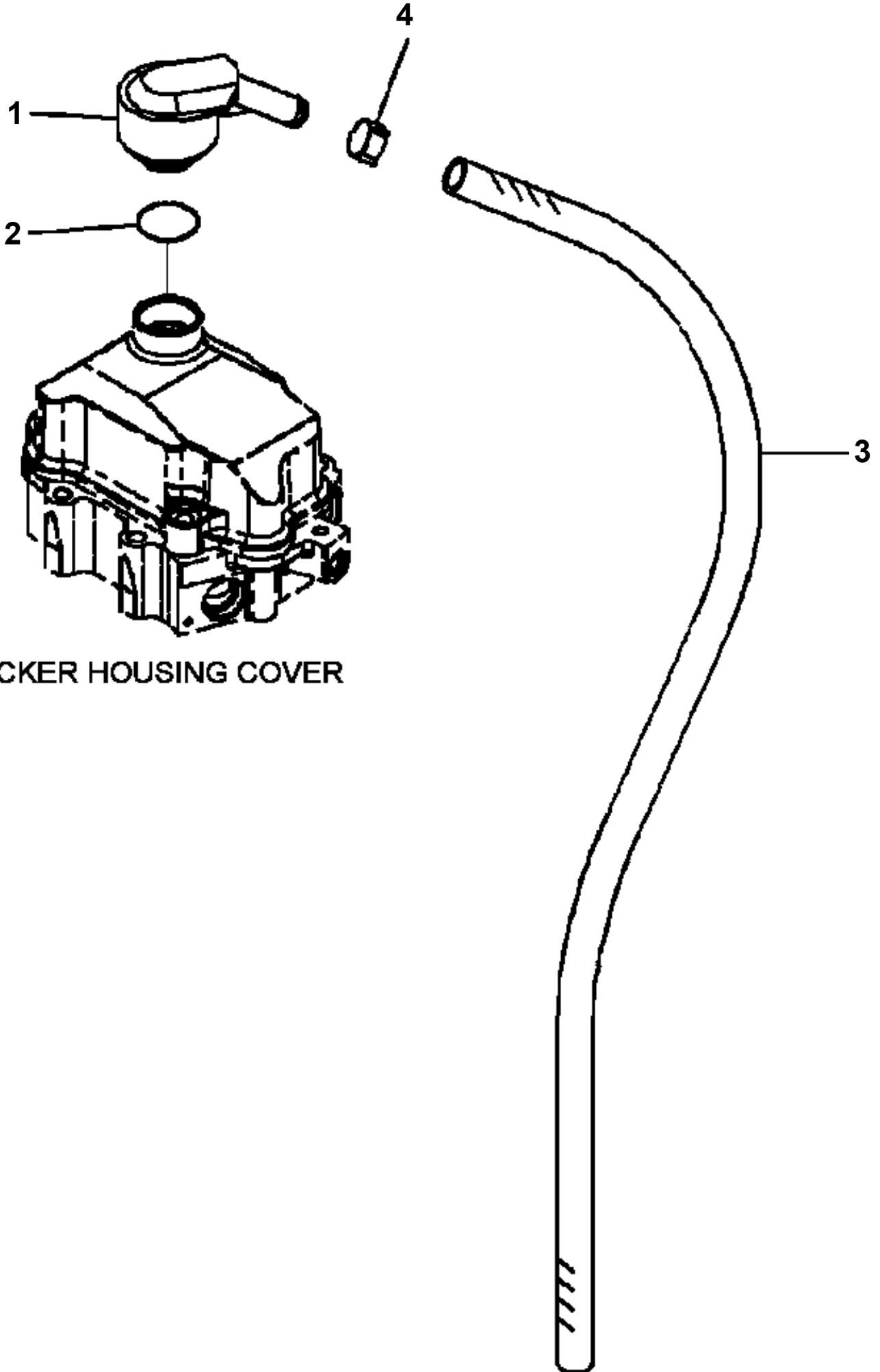


WA480-6 S/N 47001-UP  
A1112-B7A3 VALVE COVER

ITEM NO.	PART NO.	DESCRIPTION	Q'TY
1	6251-11-8110	COVER, ROCKER ARM HOUSING	5
2	6251-11-8810	GASKET	5
3	6150-11-8820	SEAL, WASHER	10
4	6150-81-9370	BOLT	10
5	01640-21016	WASHER	10
6	6251-11-8150	COVER, ROCKER ARM HOUSING	1
7	6251-11-8810	GASKET	1
8	6150-11-8820	SEAL, WASHER	2
9	6150-81-9370	BOLT	2
10	01640-21016	WASHER	2

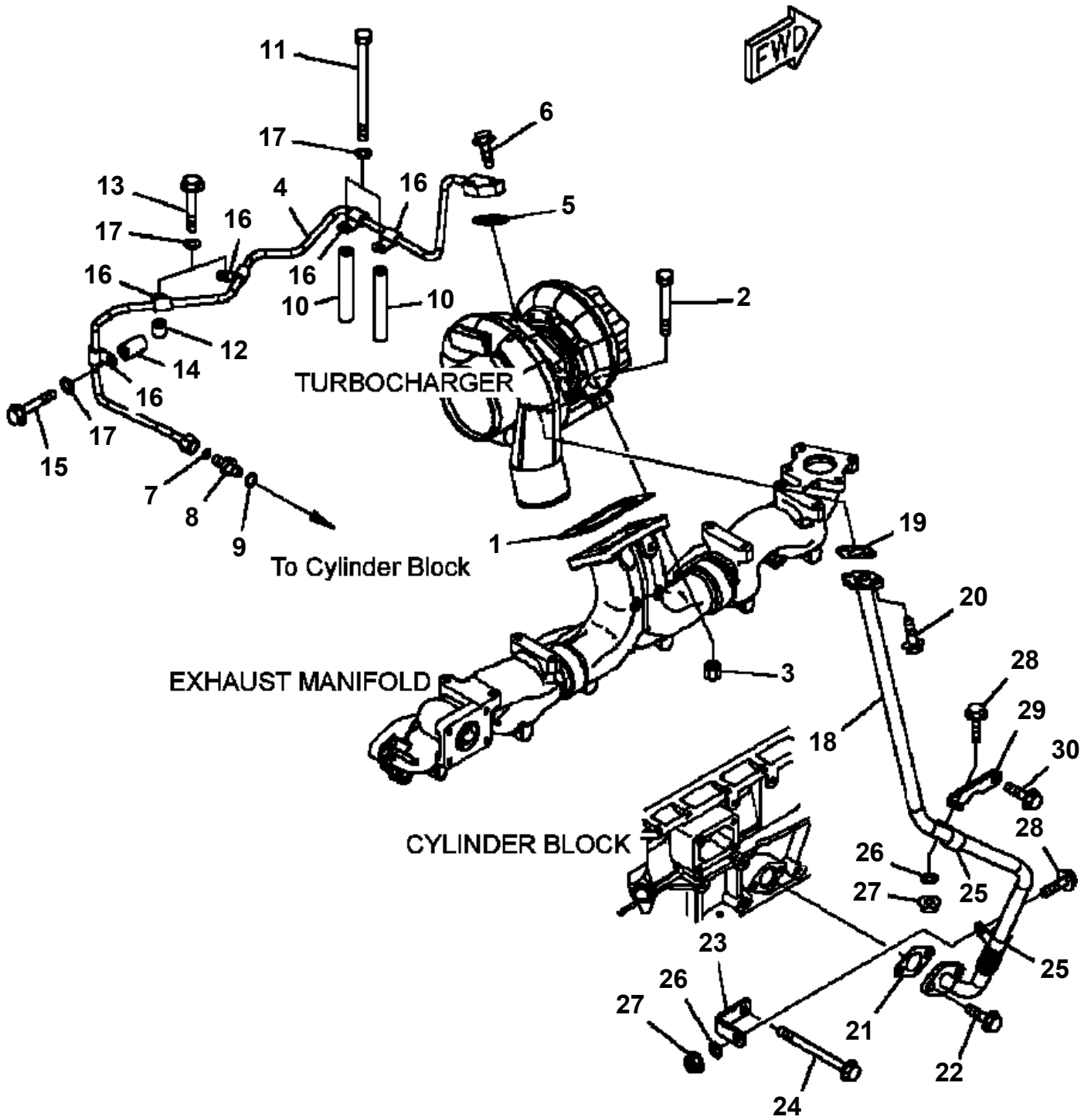
FIG A1115-B7A2

A1115-B7A2 CRANKCASE BREATHER



**WA480-6 S/N 47001-UP**  
**A1115-B7A2 CRANKCASE BREATHER**

ITEM NO.	PART NO.	DESCRIPTION	Q'TY
1	6150-21-6710	BREATHER	1
2	6114-21-5190	O-RING	1
3	07287-01913	HOSE	1
4	07285-00220	CLIP	1

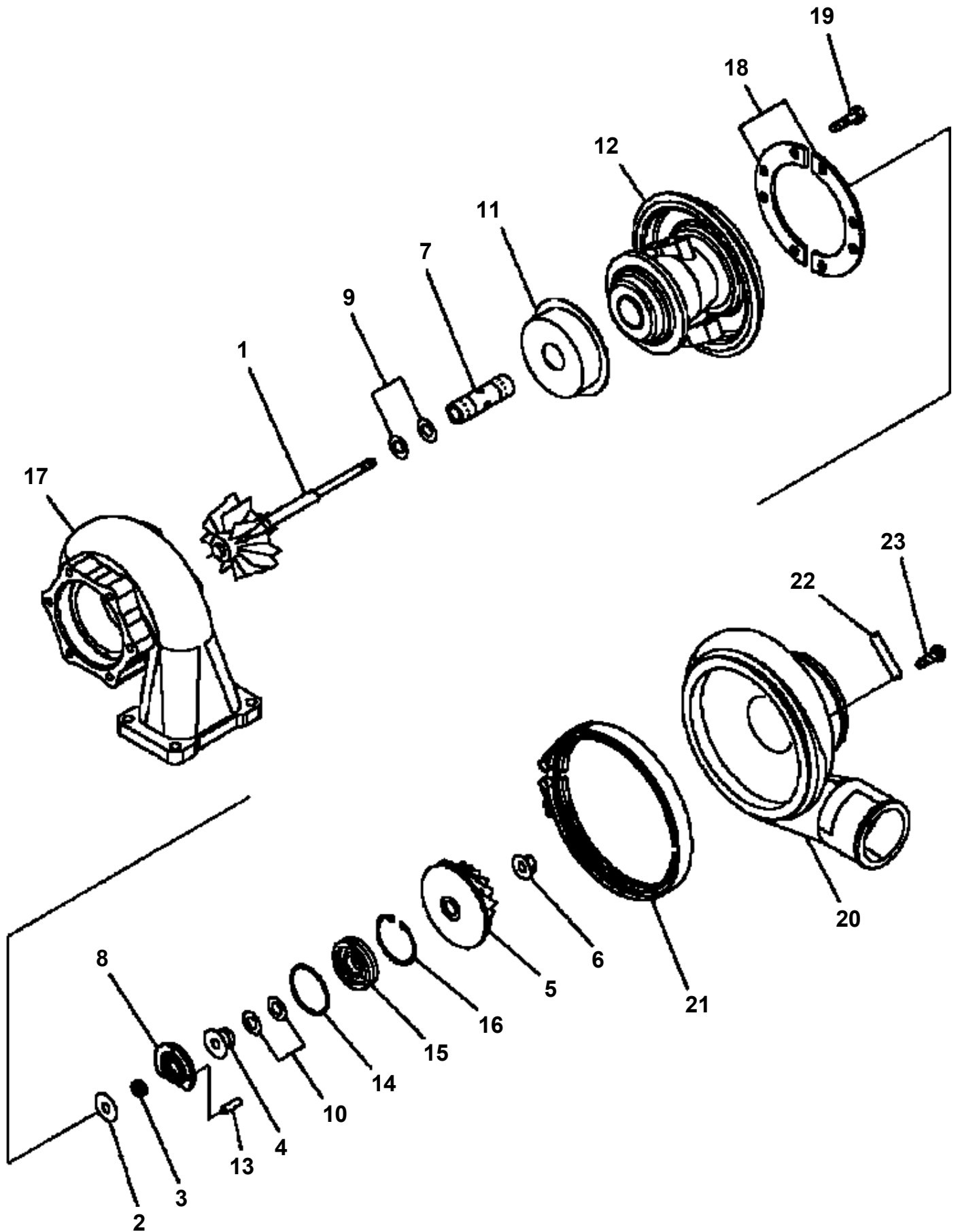


## A1120-B7A5 TURBOCHARGER MOUNTING AND LUBRICATING OIL PIPING

ITEM NO.	PART NO.	DESCRIPTION	Q'TY
1	6251-11-5830	GASKET	1
2	01050-61045	BOLT	4
3	6114-11-5590	NUT	4
4	6251-51-8250	TUBE, SUPPLY	1
5	6221-51-8160	GASKET	1
6	01435-00830	BOLT	2
7	6251-51-9880	O-RING	1
8	6251-51-9850	UNION	1
9	6251-51-9890	O-RING	1
10	6151-51-5490	SPACER	2
11	01011-81095	BOLT	2
12	6631-11-5630	SPACER	1
13	01435-01085	BOLT	2
14	6150-81-6920	SPACER	1
15	01435-01060	BOLT	1
16	600-051-6100	CLIP	5
17	01643-31032	WASHER	5
18	6251-51-8570	TUBE, RETURN	1
19	6151-51-8151	GASKET	1
20	01435-01025	BOLT	2
21	6154-51-8310	GASKET	1
22	01435-01025	BOLT	2
23	6251-21-5480	BRACKET	1
24	01435-01095	BOLT	1
25	600-051-6190	CLIP	2
26	01643-31032	WASHER	2
27	01584-01008	NUT	2
28	01435-01025	BOLT	2
29	6251-21-5470	BRACKET	1
30	01435-01045	BOLT	1

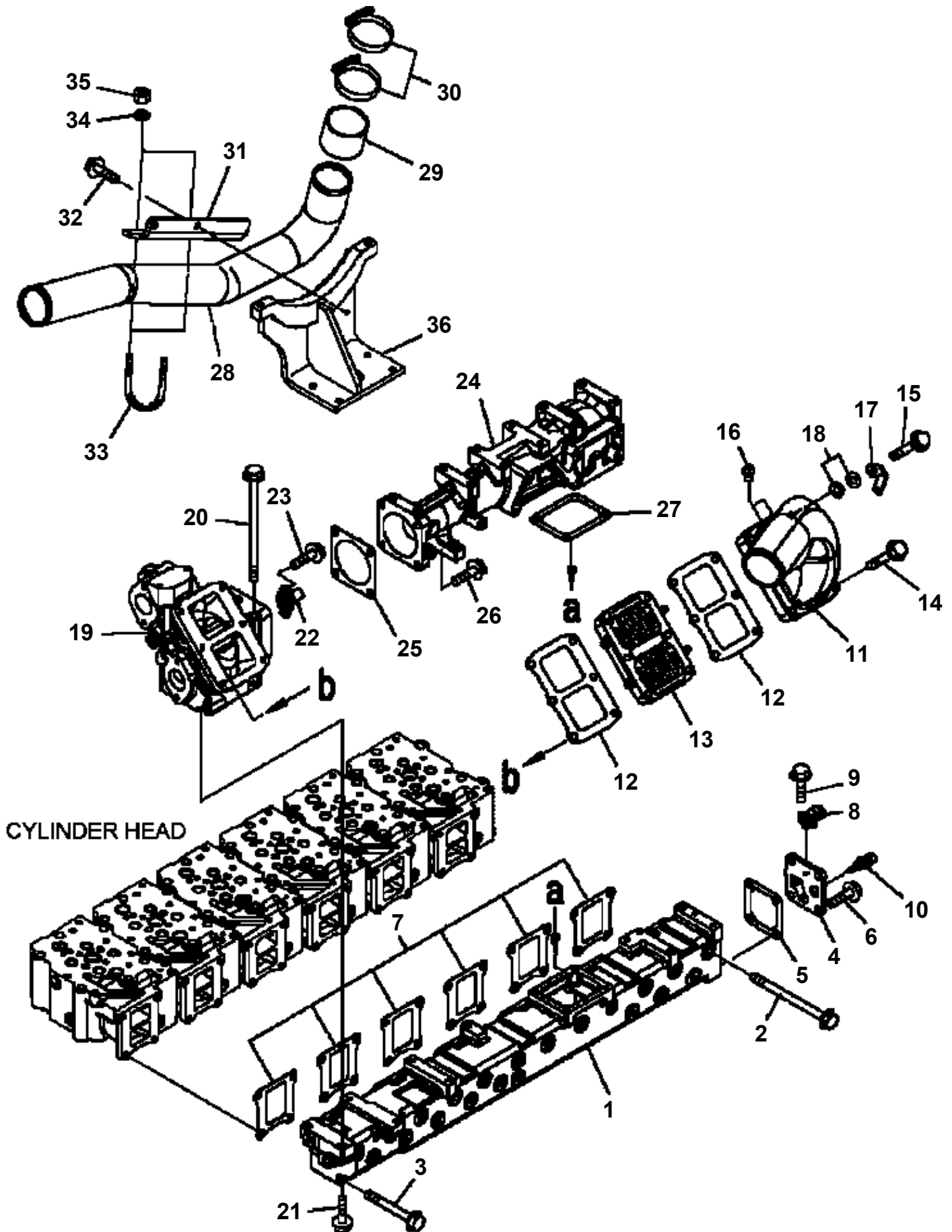
FIG A1203-B7A3

A1203-B7A3 TURBOCHARGER



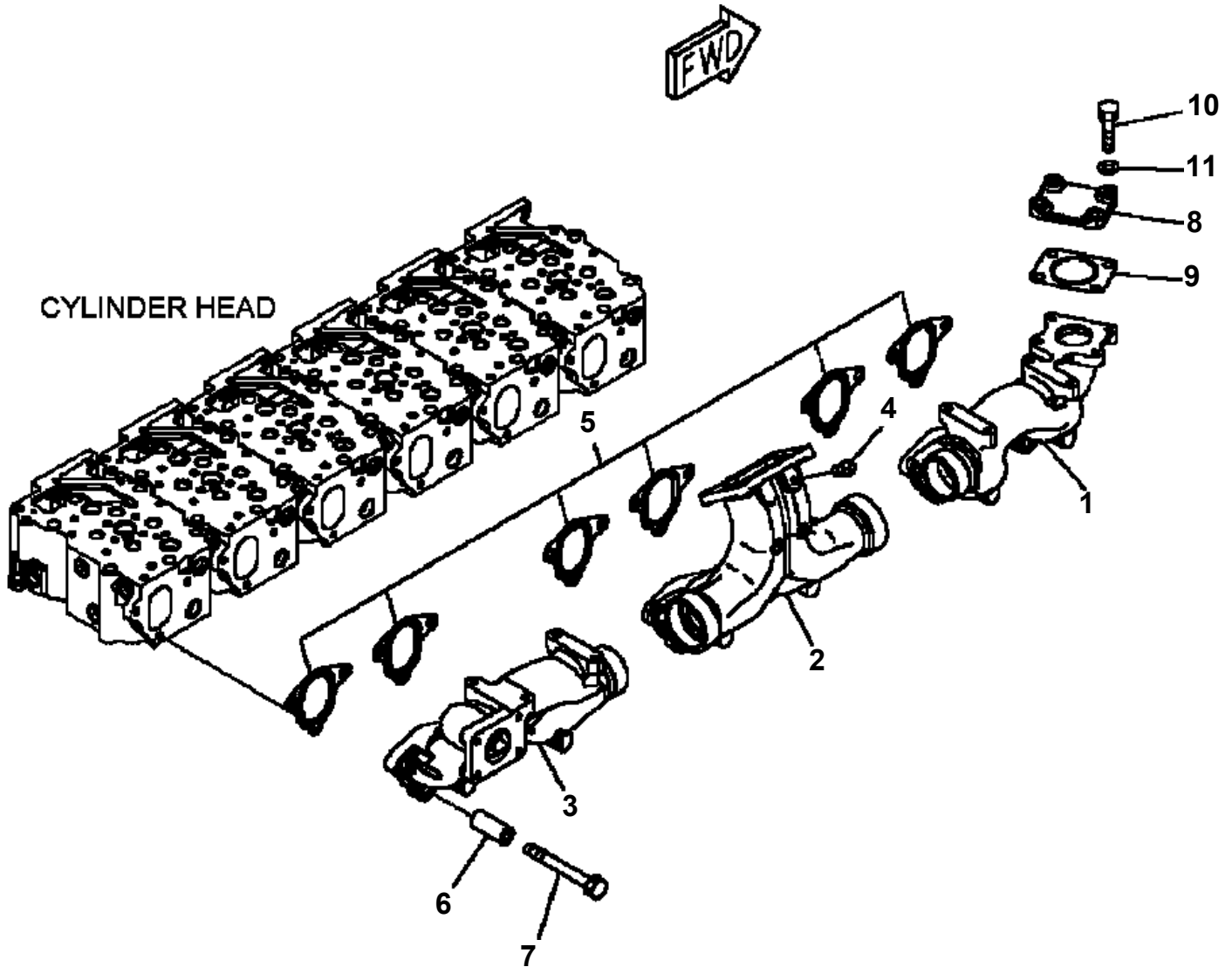
**WA480-6 S/N 47001-UP  
A1203-B7A3 TURBOCHARGER**

ITEM NO.	PART NO.	DESCRIPTION	Q'TY	REF
	6506-21-5010	TURBOCHARGER ASSEMBLY	1	
	6506-21-5920	· CORE ASSEMBLY	1	
1	6506-21-3030	· · ROTOR, TURBINE	1	F1
2	6506-21-0210	· · PLATE	1	F1
3	6506-21-0230	· · SPACER	1	F1
4	6506-21-0250	· · FLINGER	1	F1
5	6506-21-1040	· · IMPELLER, BLOWER	1	F1
6	6506-21-0410	· · NUT, LOCK	1	F1
7	6506-21-0110	· · BEARING, JOURNAL	1	F1
8	6506-21-0150	· · BEARING, THRUST	1	F1
9	6505-11-0310	· · RING, TURBINE SEAL	2	F1
10	6506-21-0350	· · RING, BLOWER SEAL	2	F1
11	6506-21-0710	· · SHIELD, HEAT	1	F1
12	6506-21-0020	· · HOUSING, CENTER	1	F1
13	04022-04008	· · PIN, DOWEL	1	F1
14	07000-E2050	· · O-RING	1	F1
15	6506-21-0850	· · INSERT	1	F1
16	6505-71-0480	· · RING, SNAP	1	F1
17	6506-21-4230	· HOUSING, TURBINE	1	
18	6505-11-0520	· PLATE	2	
19	01020-01016	· BOLT	8	
20	6506-21-2040	· HOUSING, BLOWER	1	
21	6501-11-1721	· V-BAND	1	
22	6505-99-9011	· NAMEPLATE	1	
23	04418-02550	· SCREW	2	
<p>F1 - THIS PART IS SUPPLIED AS PART OF THE ASSEMBLY. HOWEVER, IT IS AVAILABLE AS AN INDIVIDUAL PART TO AUTHORIZED DISTRIBUTORS ONLY.</p>				



WA480-6 S/N 47001-UP  
**A1206-B7A3 AIR INTAKE MANIFOLD AND PIPING**

ITEM NO.	PART NO.	DESCRIPTION	Q'TY
1	6251-11-4110	MANIFOLD, INTAKE	1
2	01436-01030	BOLT	12
3	01435-01080	BOLT	12
4	6251-11-4250	COVER	1
5	6251-11-4260	GASKET	1
6	01435-01025	BOLT	2
7	6150-13-4810	GASKET	6
8	6261-81-2700	SENSOR ASSEMBLY	1
N/I	6261-81-2710	· SENSOR, BOOST PRESSURE	1
	6261-81-2720	· O-RING	1
9	01435-00616	BOLT	2
10	6560-61-7300	SENSOR ASSEMBLY	1
N/I	6560-61-7310	· SENSOR, TEMPERATURE AIR INTAKE	1
	6735-21-1930	· O-RING	1
11	6251-11-4340	CONNECTOR	1
12	6251-11-4830	GASKET	2
13	600-815-3811	HEATER, RIBBON	1
14	01435-01070	BOLT	5
15	01435-01080	BOLT	1
16	07042-A0108	PLUG	2
17	6251-81-4520	PLATE	1
18	01643-31032	WASHER	2
19	6251-11-7210	HOUSING, AIR JUNCTION	1
20	01436-01060	BOLT	2
21	01435-01040	BOLT	2
22	6251-11-9720	NOZZLE, VENTURI	1
23	01437-10816	BOLT	2
24	6251-11-7410	CONNECTOR	1
25	6251-11-7450	GASKET	1
26	01435-01035	BOLT	4
27	6251-11-4820	GASKET	1
28	6251-11-4140	PIPE	1
29	6151-11-4410	HOSE	1
30	6152-12-4490	CLAMP	2
31	6251-11-4150	BRACKET	1
32	01435-01025	BOLT	2
33	07283-37663	CLIP	2
34	01643-31032	WASHER	4
35	01597-01009	NUT	4
36		BRACKET (SEE FIG. A1215-B7A2)	

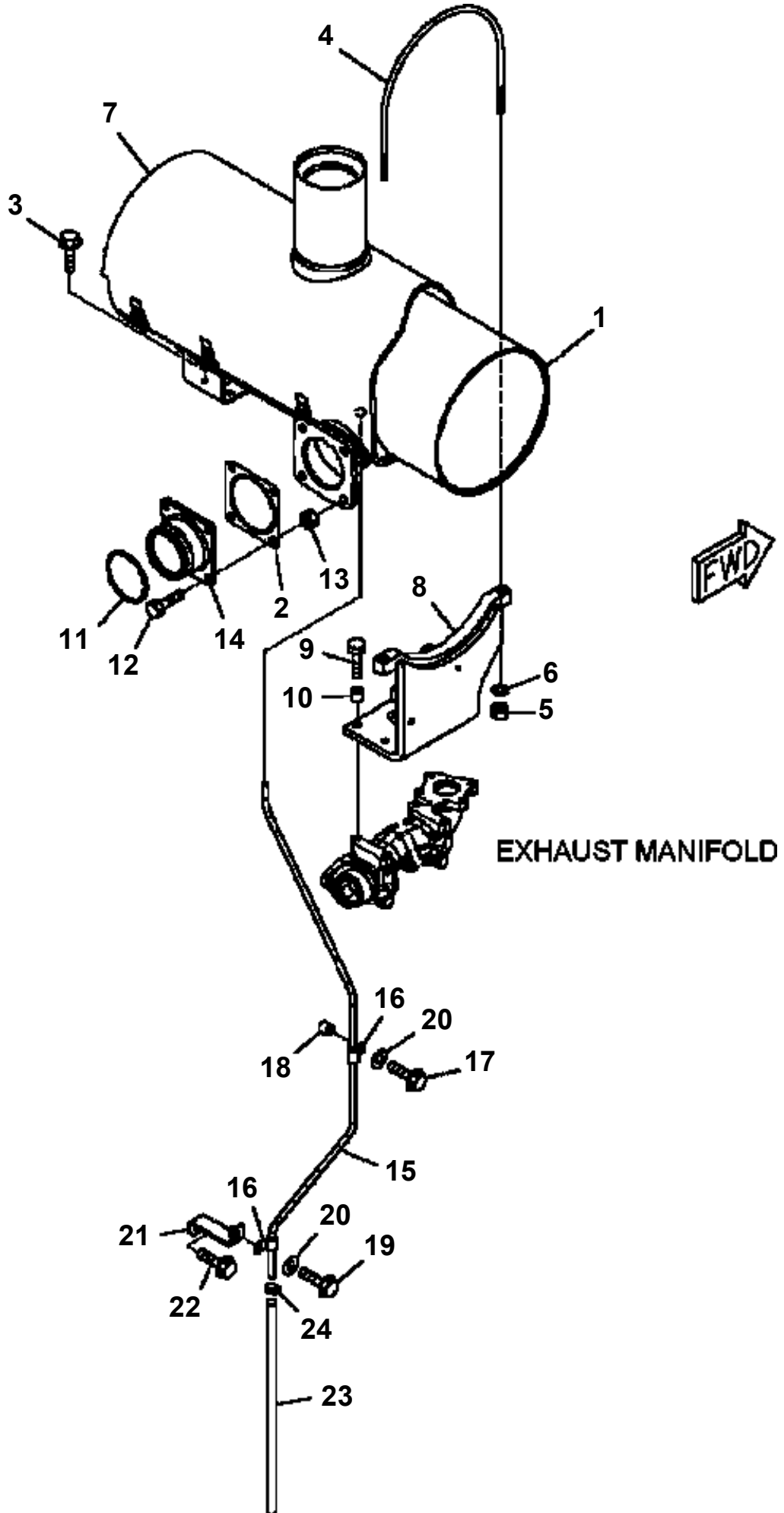


WA480-6 S/N 47001-UP  
**A1209-B7A3 EXHAUST MANIFOLD MOUNTING**

ITEM NO.	PART NO.	DESCRIPTION	Q'TY
1	6251-11-5110	MANIFOLD, FRONT	1
2	6251-11-5140	MANIFOLD, CENTER	1
3	6251-11-5130	MANIFOLD, REAR	1
4	6215-11-5920	PLUG	1
5	6152-15-5830	GASKET	6
6	6134-11-5120	SPACER	18
7	01010-E1080	BOLT	18
8	6251-11-4210	COVER	1
9	6261-11-9520	GASKET	1
10	01010-E1035	BOLT	4
11	01643-31032	WASHER	4

FIG A1215-B7A2

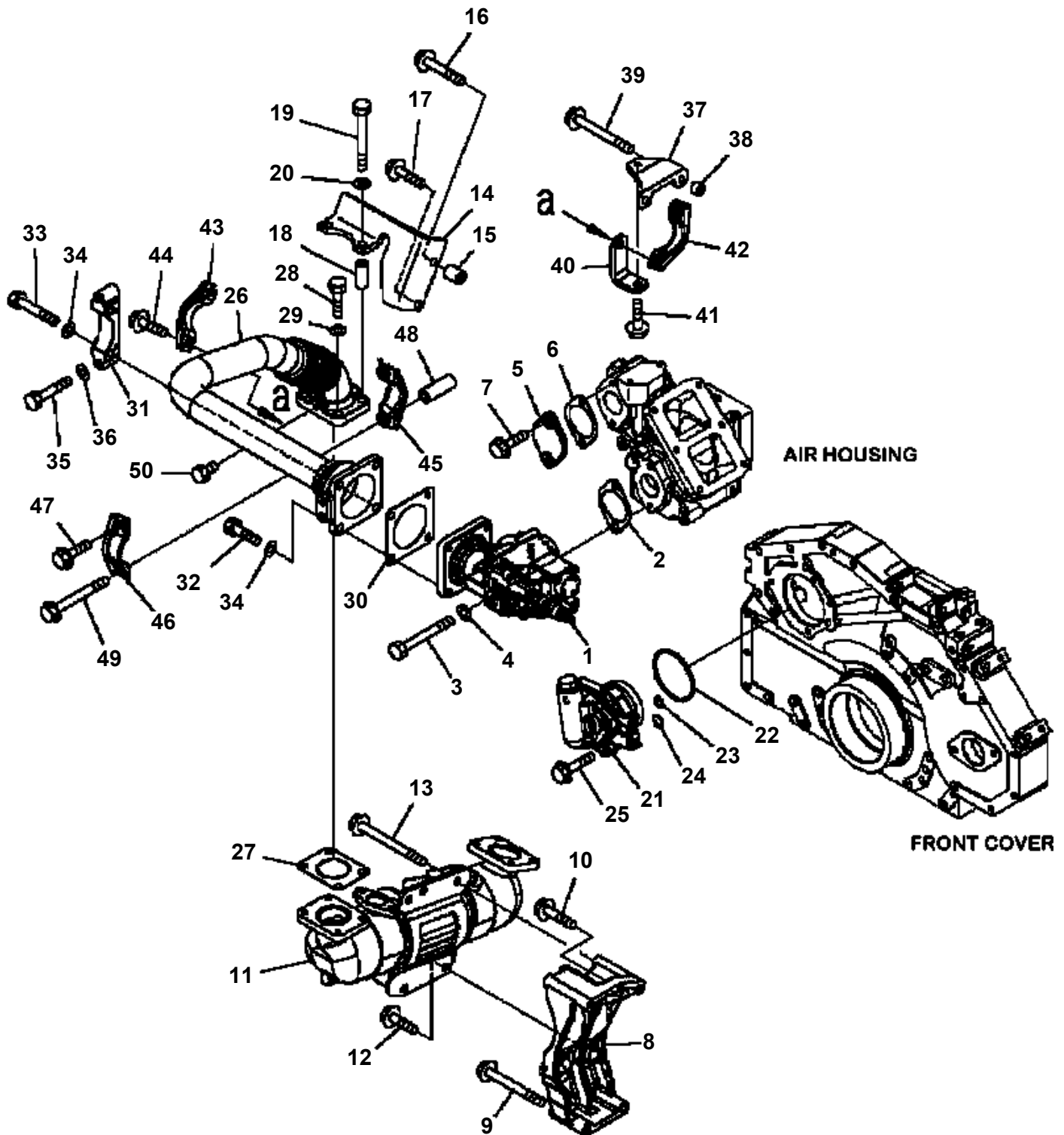
A1215-B7A2 EXHAUST MUFFLER



**WA480-6 S/N 47001-UP  
A1215-B7A2 EXHAUST MUFFLER**

ITEM NO.	PART NO.	DESCRIPTION	Q'TY
1	6251-11-5910	MUFFLER	1
2	6150-11-5751	GASKET	1
3	01435-01030	BOLT	4
4	6222-11-5940	U-BOLT	1
5	6215-11-5740	NUT	2
6	01643-31032	WASHER	2
7	6251-11-5720	COVER, SHIELD	1
8	6251-11-5740	BRACKET	1
9	01010-E1045	BOLT	4
10	6631-11-5630	SPACER	4
11	6151-11-5280	RING, SEAL	1
12	01050-61240	BOLT	4
13	6685-11-5550	NUT	4
14	6251-11-5380	JOINT	1
15	6251-11-5750	TUBE, DRAIN	1
16	600-051-6100	CLIP	2
17	01435-01035	BOLT	1
18	6631-11-5630	SPACER	1
19	01435-01020	BOLT	1
20	01643-31032	WASHER	2
21	6251-11-5760	BRACKET	1
22	01435-01030	BOLT	1
23	07260-20960	HOSE	1
24	07280-01920	CLAMP	1

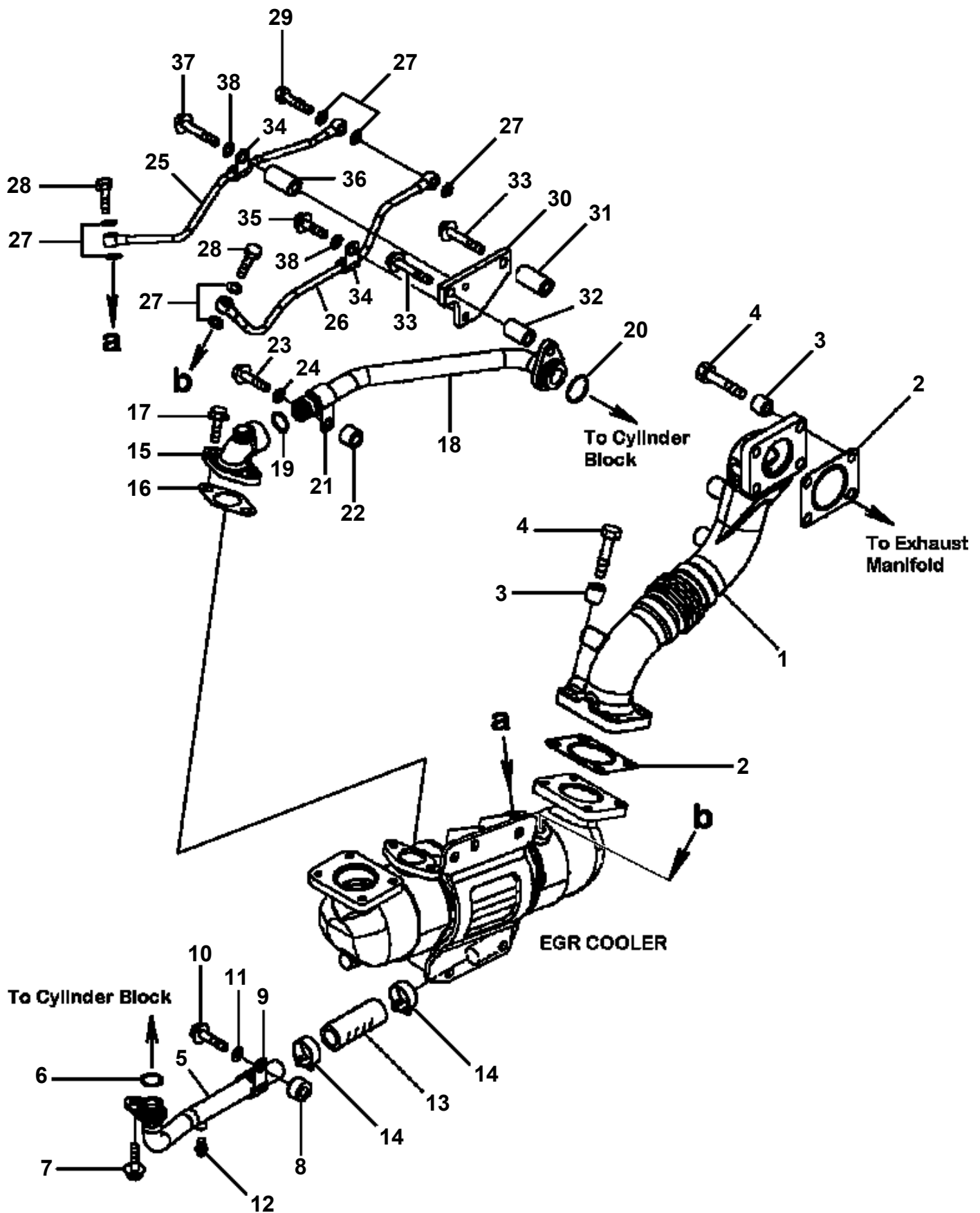
**FIG A1216-B7A8 A1216-B7A8 EGR (EXHAUST GAS RECIRCULATION) EGR VALVE AND COOLER MOUNTING**



## A1216-B7A8 EGR (EXHAUST GAS RECIRCULATION) EGR VALVE AND COOLER MOUNTING

ITEM NO.	PART NO.	DESCRIPTION	Q'TY
1	6261-41-4900	VALVE ASSEMBLY, EGR	1
2	6166-61-6341	GASKET	1
3	01011-E1005	BOLT	2
4	01643-31032	WASHER	2
5	6251-11-4220	COVER	1
6	6166-61-6341	GASKET	1
7	01435-01025	BOLT	2
8	6251-21-6610	BRACKET	1
9	01435-01090	BOLT	2
10	01435-01035	BOLT	1
11	6251-61-7100	COOLER ASSEMBLY, EGR	1
12	01435-01020	BOLT	1
13	01436-01020	BOLT	2
14	6251-61-7150	BRACKET	1
15	6128-21-6730	SPACER	1
16	01435-01050	BOLT	1
17	01435-01025	BOLT	1
18	6933-21-6330	SPACER	2
19	01010-E1085	BOLT	2
20	01643-31032	WASHER	2
21	6251-51-9100	OIL PUMP ASSEMBLY	1
22	07000-72085	O-RING	1
23	07000-72012	O-RING	1
24	07000-72015	O-RING	1
25	01435-01035	BOLT	3
26	6251-11-9320	TUBE	1
27	6261-11-9520	GASKET	1
28	01010-E1030	BOLT	2
29	01643-31032	WASHER	2
30	6207-11-5390	GASKET	1
31	6251-11-9150	PLATE	1
32	01010-E1030	BOLT	2
33	01010-E1060	BOLT	2
34	01643-31032	WASHER	4
35	01010-81050	BOLT	2
36	01643-31032	WASHER	2
37	6251-11-9210	BRACKET	1
38	6131-12-5920	SPACER	2
39	01435-01090	BOLT	2
40	6251-11-9220	BRACKET	1
41	01435-01020	BOLT	1
42	6251-11-9130	CLAMP, HALF	1
43	6251-11-9170	CLAMP, HALF	1
44	01435-01025	BOLT	2
45	6251-11-9180	CLAMP, HALF	1
46	6251-11-9170	CLAMP, HALF	1
47	01435-01025	BOLT	1
48	6112-23-6971	SPACER	1
49	01435-01085	BOLT	1
50	6215-11-5920	PLUG	1

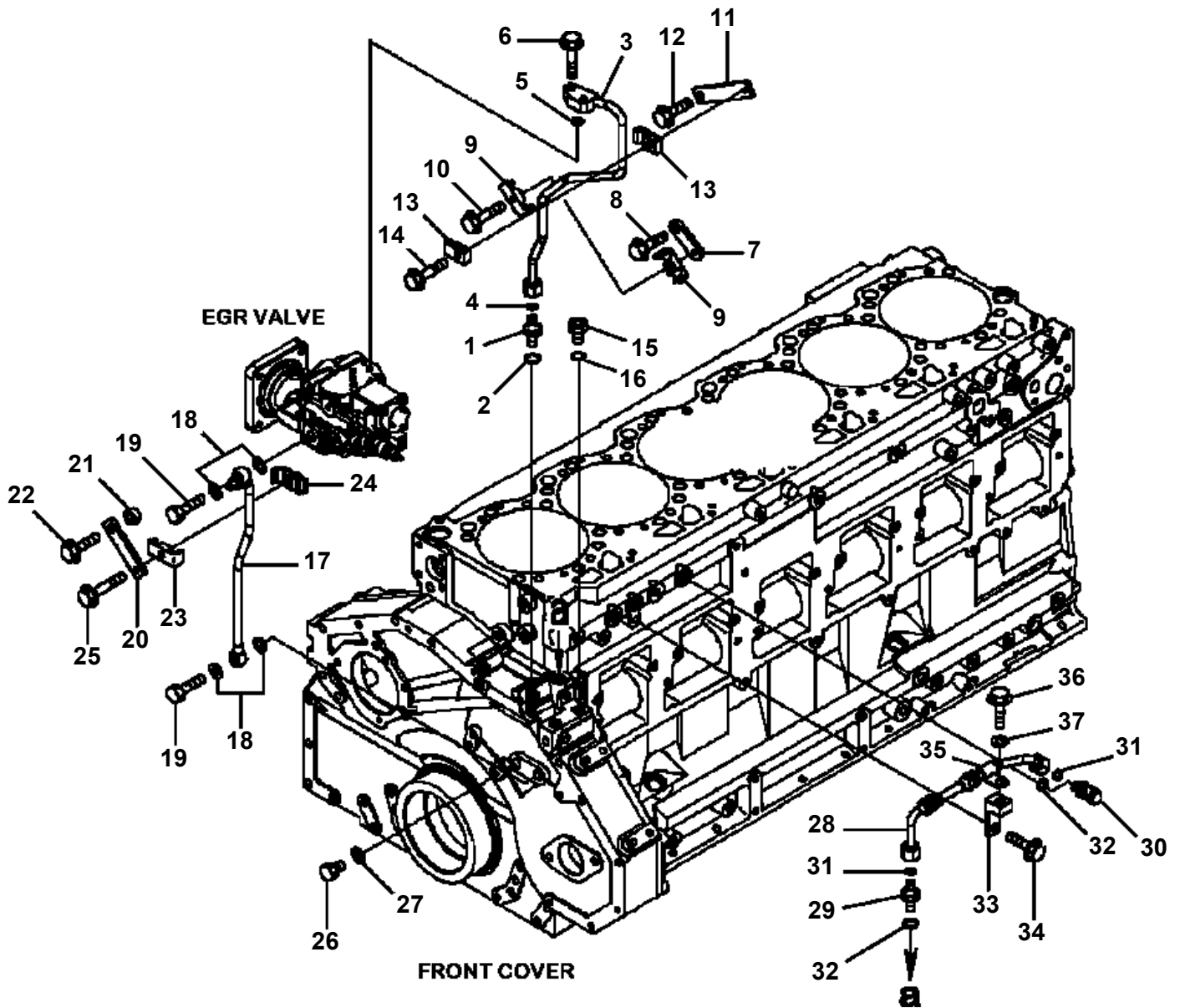
FIG A1216-B7A9 A1216-B7A9 EGR (EXHAUST GAS RECIRCULATION) EGR COOLER PIPING AND AIR VENT



## A1216-B7A9 EGR (EXHAUST GAS RECIRCULATION) EGR COOLER PIPING AND AIR VENT

ITEM NO.	PART NO.	DESCRIPTION	Q'TY
1	6251-11-9110	TUBE, EXHAUST GAS	1
2	6261-11-9520	GASKET	2
3	6631-11-5630	SPACER	8
4	6251-11-9350	BOLT	8
5	6251-61-7210	TUBE, WATER INLET	1
6	07000-A2021	O-RING	1
7	01435-01020	BOLT	1
8	6162-63-3910	SPACER	1
9	600-051-6220	CLIP	1
10	01435-01040	BOLT	1
11	01643-31032	WASHER	1
12	07042-A0108	PLUG	1
13	07260-22008	HOSE	1
14	07281-00359	CLAMP	2
15	6251-61-7250	CONNECTOR, WATER	1
16	6210-61-6551	GASKET	1
17	01435-01025	BOLT	2
18	6251-61-7410	TUBE, WATER RETURN	1
19	07000-A2021	O-RING	1
20	07000-A3029	O-RING	1
21	600-051-6220	CLIP	1
22	175-79-33240	SPACER	1
23	01435-01040	BOLT	1
24	01643-31032	WASHER	1
25	6251-61-7620	TUBE, AIR VENT	1
26	6251-61-7630	TUBE, AIR VENT	1
27	07005-01212	GASKET	7
28	07206-30812	BOLT, JOINT	2
29	6354-71-5560	BOLT, JOINT	1
30	6251-61-7240	PLATE	1
31	6933-21-6330	SPACER	1
32	6131-21-6770	COLLAR	1
33	01435-01065	BOLT	2
34	600-051-6080	CLIP	2
35	01435-01020	BOLT	1
36	6933-21-6330	SPACER	1
37	01435-01060	BOLT	1
38	01643-31032	WASHER	2

FIG A1216-B7B0 A1216-B7B0 EGR (EXHAUST GAS RECIRCULATION) EGR VALVE LUBRICATING OIL PIPING





**Suggest:**

**For more complete manuals. Please go to the home page.**

**<https://www.ebooklibonline.com>**

**If the above button click is invalid. Please download this document first, and then click the above link to download the complete manual.**

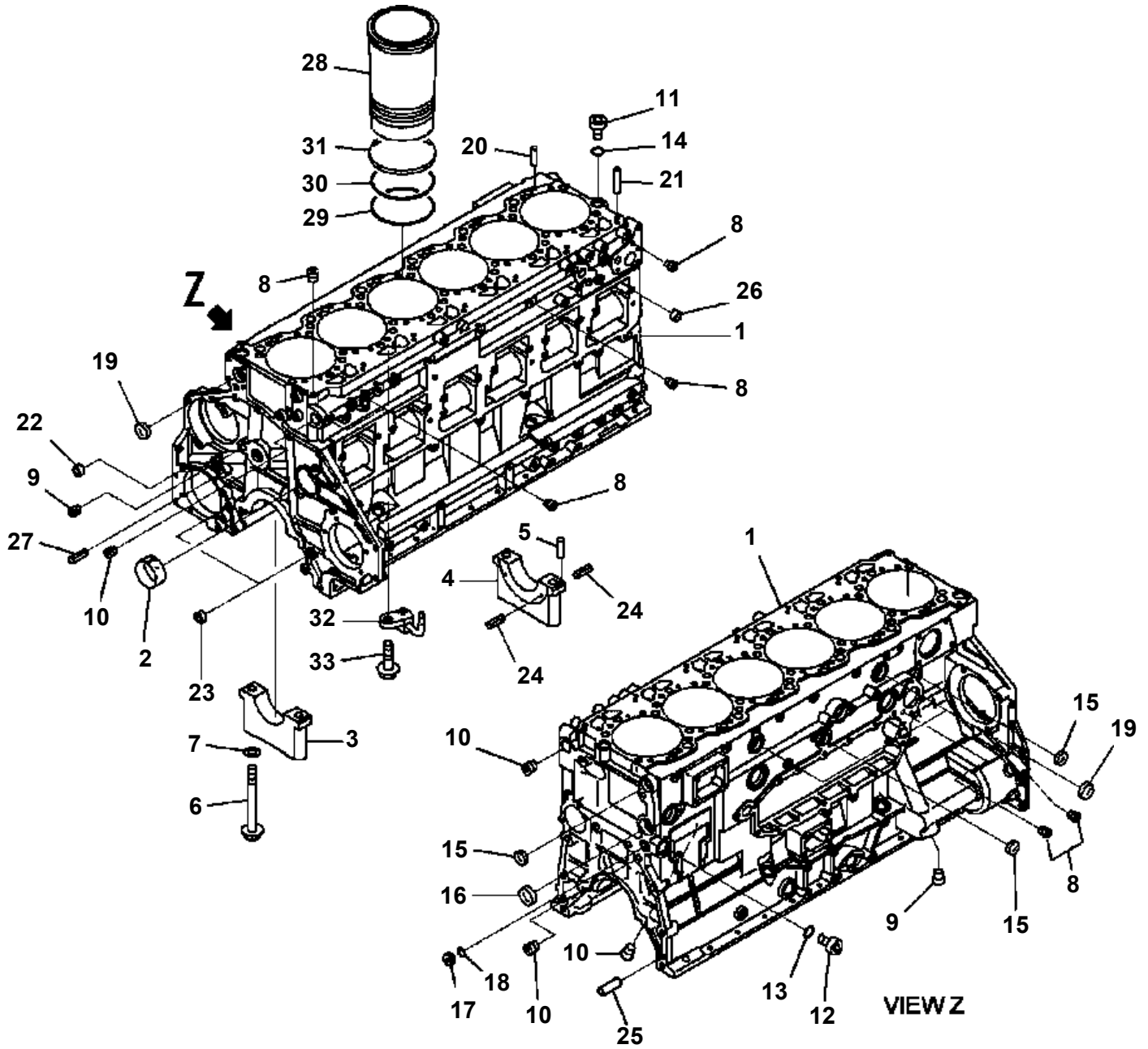
**Thank you so much for reading**

WA480-6 S/N 47001-UP  
**A1216-B7B0 EGR (EXHAUST GAS RECIRCULATION) EGR VALVE LUBRICATING  
OIL PIPING**

ITEM NO.	PART NO.	DESCRIPTION	Q'TY
1	6251-51-9850	UNION	1
2	6251-51-9890	O-RING	1
3	6251-51-9310	TUBE, SUPPLY	1
4	6251-51-9880	O-RING	1
5	07000-E2012	O-RING	1
6	01435-00825	BOLT	2
7	6251-51-9380	PLATE	1
8	01435-01020	BOLT	1
9	6166-75-6820	CLAMP	2
10	01435-00830	BOLT	1
11	6251-51-9391	PLATE	1
12	01435-01020	BOLT	1
13	6166-75-6810	CLAMP	2
14	01435-00835	BOLT	1
15	6215-81-9520	PLUG	1
16	6251-51-9890	O-RING	1
17	6251-51-9510	TUBE, RETURN	1
18	07005-01412	GASKET	4
19	07206-31014	BOLT, JOINT	2
20	6251-51-8410	PLATE	1
21	6132-21-4630	SPACER	1
22	01435-01035	BOLT	1
23	6166-75-6820	CLAMP	1
24	6261-51-9480	CLAMP	1
25	01435-00840	BOLT	1
26	6110-53-5910	PLUG	1
27	07005-01412	GASKET	1
28	6251-51-9220	TUBE, OIL SUPPLY	1
29	6251-51-9850	UNION	1
30	6251-51-9810	ELBOW	1
31	6251-51-9880	O-RING	2
32	6251-51-9890	O-RING	2
33	6251-51-9230	BRACKET	1
34	01435-01030	BOLT	1
35	600-051-6100	CLIP	1
36	01435-01020	BOLT	1
37	01643-31032	WASHER	1

FIG A2103-B7A1

A2103-B7A1 CYLINDER BLOCK



**<https://www.ebooklibonline.com>**

Hello dear friend!

Thank you very much for reading.

Enter the link into your browser.

The full manual is available for immediate download.

**<https://www.ebooklibonline.com>**