

**WA480-6 S/N 85001-90215 (ecot3, For North America)**  
**WA480-6 S/N 85001-90215 (ecot3, For North America)**

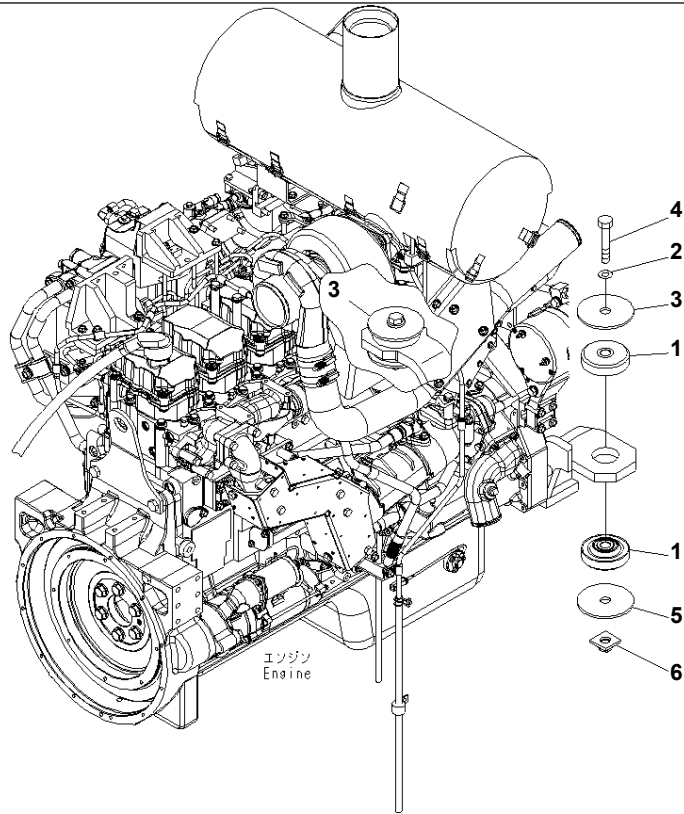
Item	Part Name
	SAA6D125E-5E-01 S/N 560001-UP
B0	ENGINE RELATED PARTS
C0	COOLING SYSTEM
D0	FUEL TANK AND RELATED PARTS
E0	ELECTRICAL SYSTEM
F0	POWER TRAIN
H0	HYDRAULIC SYSTEM
J0	MAIN/REVOLVING FRAME AND RELATED PARTS
K0	OPERATOR'S COMPARTMENT AND CONTROL SYSTEM
M0	GUARD
S0	SUSPENSION AND WHEEL RELATED PARTS
T0	WORK EQUIPMENT
U0	MARKS AND PLATES
V0	ACCESSORY AND TOOL
Y0	SERVICE KIT AND COMPONENT PARTS

WA480-6 S/N 85001-90215 (ecot3, For North America)

**ENGINE RELATED PARTS**

Item	Part Name	Qty
10	ENGINE MOUNT(#85001-)	1
20	ENGINE RELATED PARTS (WIRING HARNESS) (1/2)(#85001-)	1
30	ENGINE RELATED PARTS (WIRING HARNESS) (1/2) (75A?ALTERNATOR)(#85001-)	1
40	ENGINE RELATED PARTS (WIRING HARNESS) (2/2)(#85001-)	1
50	ENGINE RELATED PARTS (AIR CLEANER)(#85001-)	1
60	ENGINE RELATED PARTS (DUST INDICATOR) (FOR KOMTRAX)(#85001-)	1
70	ENGINE RELATED PARTS (EXHAUST PIPE)(#85001-)	1
80	EXHAUST PIPE(#85001-)	1

WA480-6 S/N 85001-90215 (ecot3, For North America)  
**00050501**



00050501

Ref. B0100-01A0

Page 030010

WA480-6 S/N 85001-90215 (ecot3, For North America)  
**ENGINE MOUNT(#85001-)**

Item	Part No.	Part Name	Qty	Serial No.
1	421-01-41140	CUSHION	4	85001-
2	01643-32060	WASHER	2	85001-
3	424-01-11220	WASHER	2	85001-
4	01011-62030	BOLT	2	85001-
5	424-01-11220	WASHER	2	85001-
6	421-01-41550	BRACKET	2	85001-

**<https://www.ebooklibonline.com>**

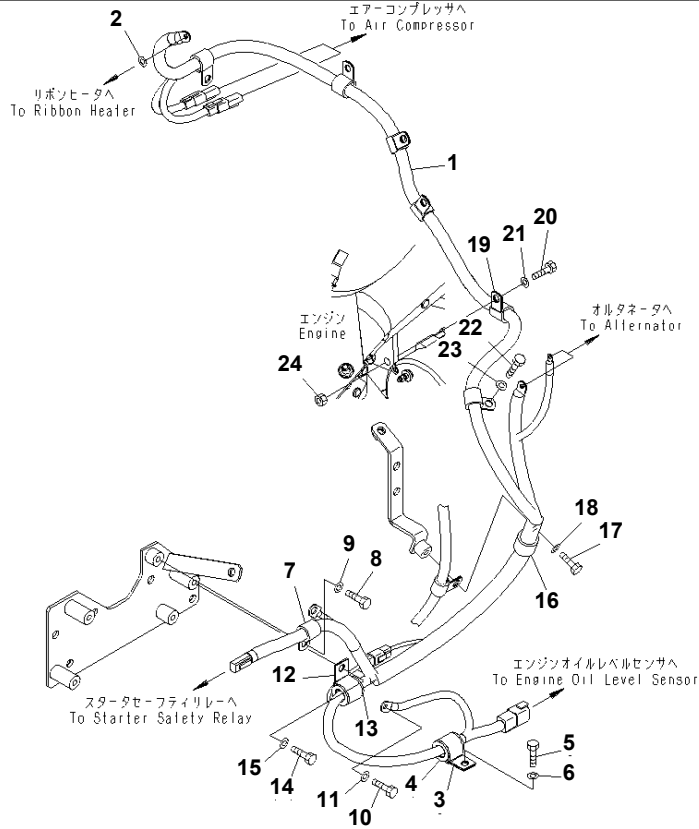
Hello dear friend!

Thank you very much for reading.

Enter the link into your browser.

The full manual is available for immediate download.

**<https://www.ebooklibonline.com>**



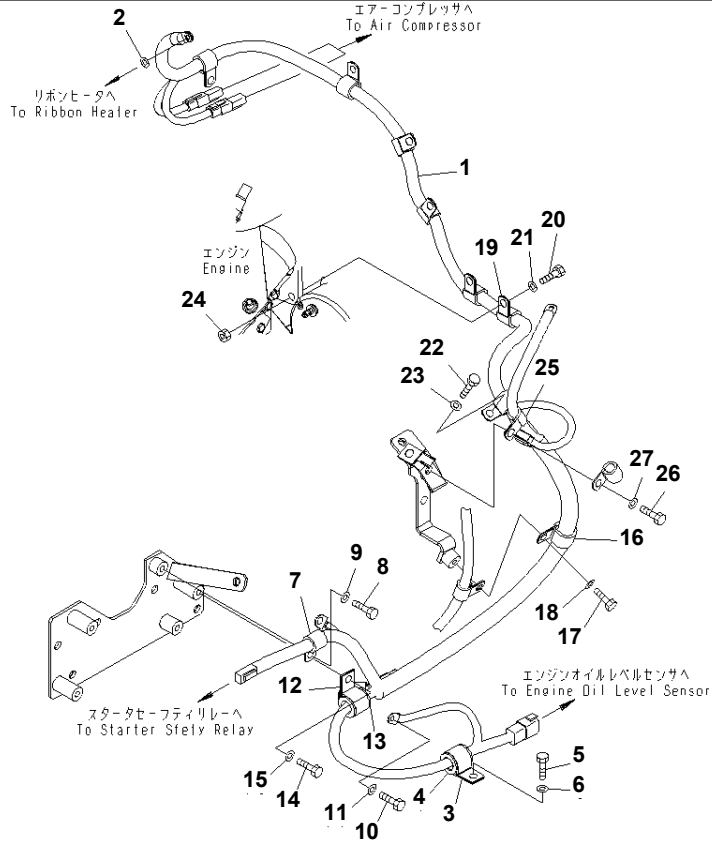
00088071

Ref. B0110-01A0

Page 030020

WA480-6 S/N 85001-90215 (ecot3, For North America)  
**ENGINE RELATED PARTS (WIRING HARNESS) (1/2)(#85001-)**

Item	Part No.	Part Name	Qty	Serial No.
1	421-06-42172	WIRING HARNESS	1	85001-
2	01640-20610	WASHER	1	85001-
3	04434-52711	CLIP	1	85001-
4	07095-20418	CUSHION	1	85001-
5	01010-81020	BOLT	1	85001-
6	01643-31032	WASHER	1	85001-
7	600-051-2180	CLIP	1	85001-
8	01010-81016	BOLT	1	90093-
	01010-81025	BOLT	1	85001-90092
9	01643-31032	WASHER	1	85001-
10	01010-81025	BOLT	1	85001-
11	01643-31032	WASHER	1	85001-
12	04434-52711	CLIP	1	85001-
13	07095-20418	CUSHION	1	85001-
14	01010-81025	BOLT	1	85001-
15	01643-31032	WASHER	1	85001-
16	600-051-2240	CLIP	1	85001-
17	01010-81025	BOLT	1	85001-
18	01643-31032	WASHER	1	85001-
19	600-051-2180	CLIP	6	85001-
20	01010-81025	BOLT	4	90093-
	01010-81025	BOLT	5	85001-90092
21	01643-31032	WASHER	4	90093-
	01643-31032	WASHER	5	85001-90092
22	01010-81020	BOLT	1	90093-
23	01643-31032	WASHER	1	90093-
24	01580-11008	NUT	1	85001-



00078525

WA480-6 S/N 85001-90215 (ecot3, For North America)  
**ENGINE RELATED PARTS (WIRING HARNESS) (1/2)**  
**(75A?ALTERNATOR)(#85001-)**

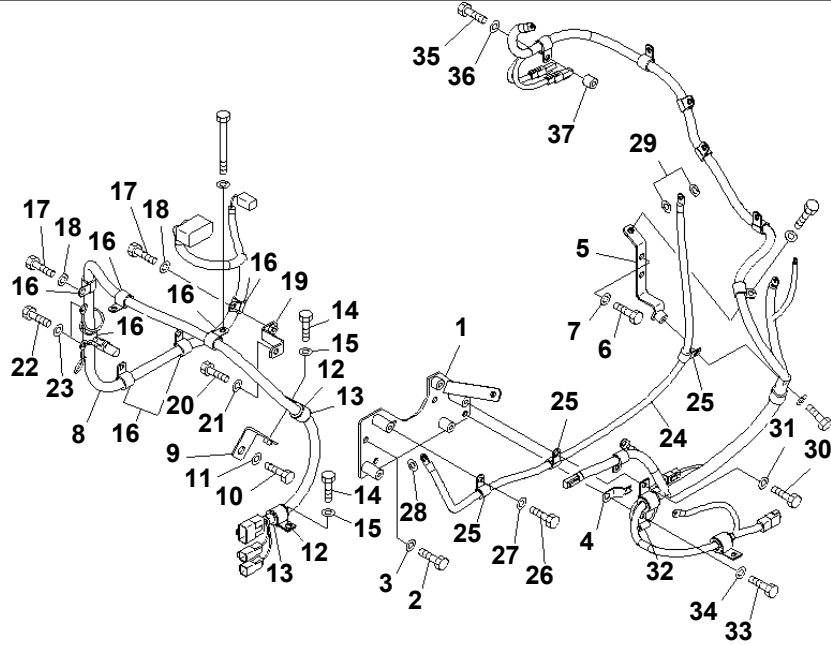
Item	Part No.	Part Name	Qty	Serial No.
1	421-06-43151	WIRING HARNESS	1	85001-
2	01640-20610	WASHER	1	85001-
3	04434-52711	CLIP	1	85001-
4	07095-20418	CUSHION	1	85001-
5	01010-81020	BOLT	1	85001-
6	01643-31032	WASHER	1	85001-
7	600-051-2180	CLIP	1	85001-
8	01010-81016	BOLT	1	90093-
	01010-81025	BOLT	1	85001-90092
9	01643-31032	WASHER	1	85001-
10	01010-81025	BOLT	3	85001-
11	01643-31032	WASHER	3	85001-
12	04434-52711	CLIP	1	85001-
13	07095-20418	CUSHION	1	85001-
14	01010-81025	BOLT	1	85001-
15	01643-31032	WASHER	1	85001-
16	600-051-2240	CLIP	1	85001-
17	01010-81025	BOLT	1	85001-
18	01643-31032	WASHER	1	85001-
19	600-051-2180	CLIP	7	85001-
20	01010-81025	BOLT	4	90093-
	01010-81025	BOLT	5	85001-90092
21	01643-31032	WASHER	4	90093-
	01643-31032	WASHER	5	85001-90092
22	01010-81020	BOLT	1	90093-
23	01643-31032	WASHER	1	90093-
24	01580-11008	NUT	1	85001-
25	600-051-2140	CLIP	1	85001-

**WA480-6 S/N 85001-90215 (ecot3, For North America)**  
**ENGINE RELATED PARTS (WIRING HARNESS) (1/2)**  
**(75A?ALTERNATOR)(#85001-)**

---

Item	Part No.	Part Name	Qty	Serial No.
26	01010-81025	BOLT	1	85001-
27	01643-31032	WASHER	1	85001-

WA480-6 S/N 85001-90215 (ecot3, For North America)  
00053708



00053708

Ref. B0110-02A0

Page 030040

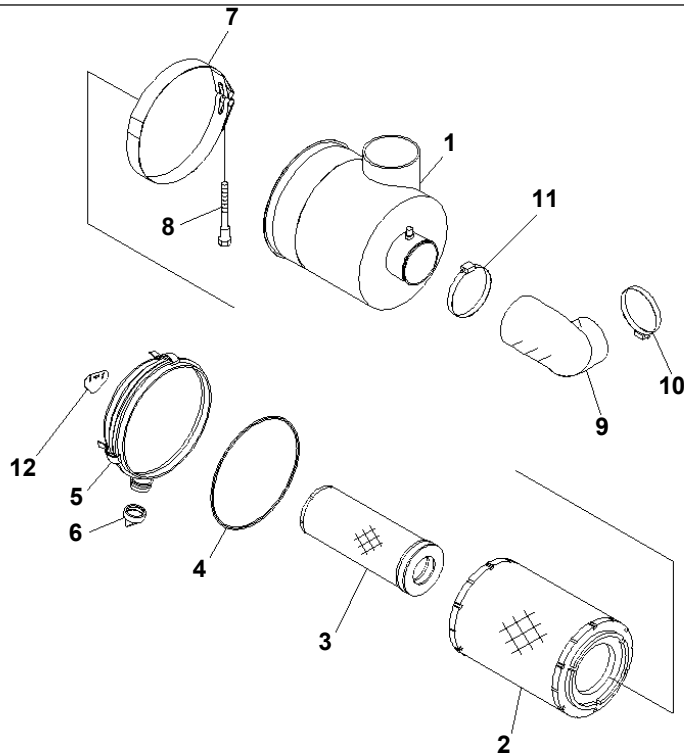
WA480-6 S/N 85001-90215 (ecot3, For North America)  
ENGINE RELATED PARTS (WIRING HARNESS) (2/2)(#85001-)

Item	Part No.	Part Name	Qty	Serial No.
1	421-06-42211	BRACKET	1	85001-
2	01010-81025	BOLT	3	85001-
3	01643-31032	WASHER	3	85001-
4	08193-21012	CLIP	1	85001-
5	421-06-42221	BRACKET	1	85001-
6	01010-81025	BOLT	2	85001-
7	01643-31032	WASHER	2	85001-
8	421-06-42281	WIRING HARNESS	1	85001-
9	421-06-41350	PLATE	1	85001-
10	01010-81430	BOLT	1	85001-
11	01643-31445	WASHER	1	85001-
12	04434-52510	CLIP	2	85001-
13	07095-20318	CUSHION	2	85001-
14	01010-81020	BOLT	2	85001-
15	01643-31032	WASHER	2	85001-
16	600-051-2200	CLIP	7	85001-
17	01010-81020	BOLT	3	90001-
	01010-81020	BOLT	4	85001-90000
18	01643-31032	WASHER	3	90001-
	01643-31032	WASHER	4	85001-90000
19	421-06-42240	PLATE	1	85001-
20	01010-81020	BOLT	1	85001-
21	01643-31032	WASHER	1	85001-
22	01010-81420	BOLT	2	85001-
23	01643-31445	WASHER	2	85001-
24	421-06-42141	WIRE	1	85001-
25	600-051-2140	CLIP	3	85001-
26	01010-81020	BOLT	1	85001-
27	01643-31032	WASHER	1	85001-

**WA480-6 S/N 85001-90215 (ecot3, For North America)**  
**ENGINE RELATED PARTS (WIRING HARNESS) (2/2)(#85001-)**

Item	Part No.	Part Name	Qty	Serial No.
28	01643-31032	WASHER	1	85001-
29	22W-70-16120	WASHER	2	85008-
	01642-20810	WASHER	2	85001-85007
30	01010-81025	BOLT	1	85001-
31	01643-31032	WASHER	1	85001-
32	600-051-2060	CLIP	1	85001-
33	01010-81020	BOLT	1	85001-
34	01643-31032	WASHER	1	85001-
35	01010-81040	BOLT	1	85001-
36	01643-31032	WASHER	1	85001-
37	175-79-83760	SPACER	1	85001-

WA480-6 S/N 85001-90215 (ecot3, For North America)  
00050504



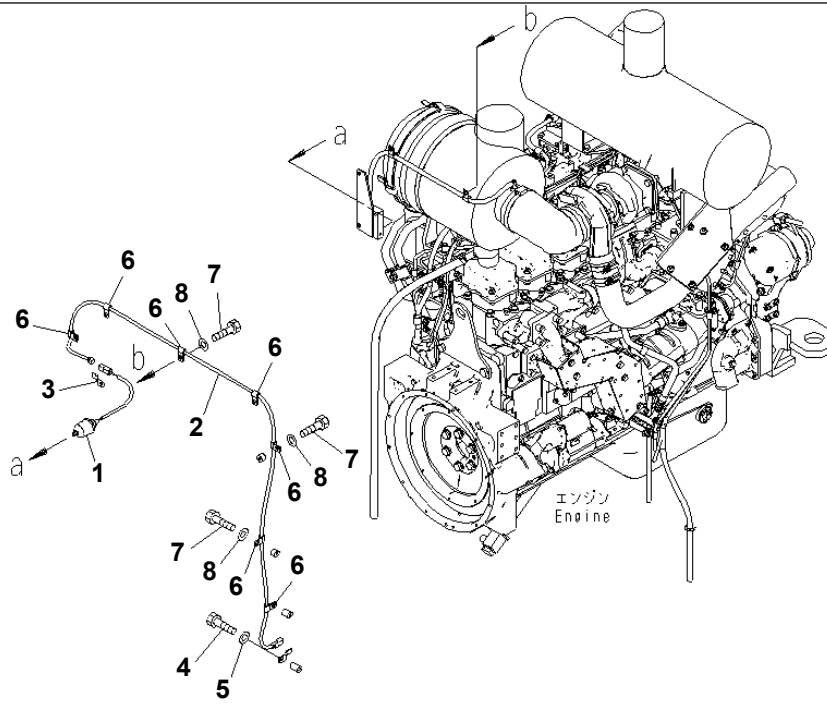
00050504

Ref. B0110-03A0

Page 030050

WA480-6 S/N 85001-90215 (ecot3, For North America)  
ENGINE RELATED PARTS (AIR CLEANER)(#85001-)

Item	Part No.	Part Name	Qty	Serial No.
	6156-81-7101	AIR CLEANER ASS'Y	1	85001-
1	6156-81-7111	· BODY	1	85001-
	600-185-5100	· ELEMENT ASS'Y	1	85001-
2	600-185-5110	· · ELEMENT	1	85001-
3	☆	· · ELEMENT	1	85001-
4	600-184-1570	· · O-RING	1	85001-
5	600-184-1510	· COVER ASS'Y	1	85001-
6	600-184-1350	· VALVE	1	85001-
7	6151-11-4840	BAND ASS'Y	1	85001-
8	6643-11-4641	BOLT	1	85001-
9	421-01-41610	HOSE	1	90001-
	421-01-41150	HOSE	1	85001-90000
10	07289-00130	CLAMP	1	85001-
11	07289-00145	CLAMP	1	85001-
12	421-93-41020	PLATE	1	85001-



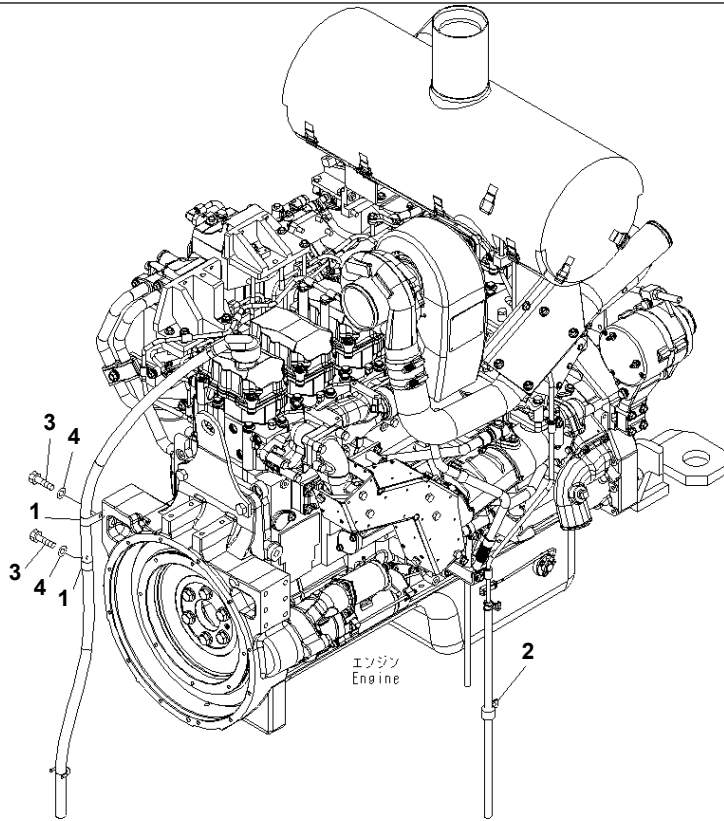
Ref. B0110-04A0

00050505

Page 030060

WA480-6 S/N 85001-90215 (ecot3, For North America)  
**ENGINE RELATED PARTS (DUST INDICATOR) (FOR KOMTRAX)(#85001-)**

Item	Part No.	Part Name	Qty	Serial No.
1	600-815-8860	INDICATOR	1	85001-
2	421-06-41310	WIRING HARNESS	1	85001-
3	08193-20010	CLIP	1	85001-
4	01010-81016	BOLT	1	85001-
5	01643-31032	WASHER	1	85001-
6	04434-51010	CLIP	7	85001-
7	01010-81016	BOLT	4	85001-
8	01643-31032	WASHER	4	85001-



00086292

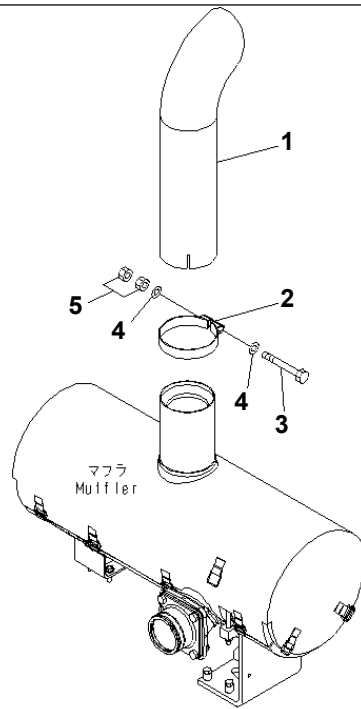
Ref. B0110-05A0

Page 030070

WA480-6 S/N 85001-90215 (ecot3, For North America)  
**ENGINE RELATED PARTS (EXHAUST PIPE)(#85001-)**

Item	Part No.	Part Name	Qty	Serial No.
1	04434-52310	CLIP	2	85380-
	04434-52310	CLIP	1	85001-85379
2	04434-52511	CLIP	1	85001-
3	01010-81016	BOLT	2	85380-
	01010-81016	BOLT	1	85001-85379
4	01643-31032	WASHER	2	85380-
	01643-31032	WASHER	1	85001-85379

WA480-6 S/N 85001-90215 (ecot3, For North America)  
00050507



00050507

Ref. B0300-01A0

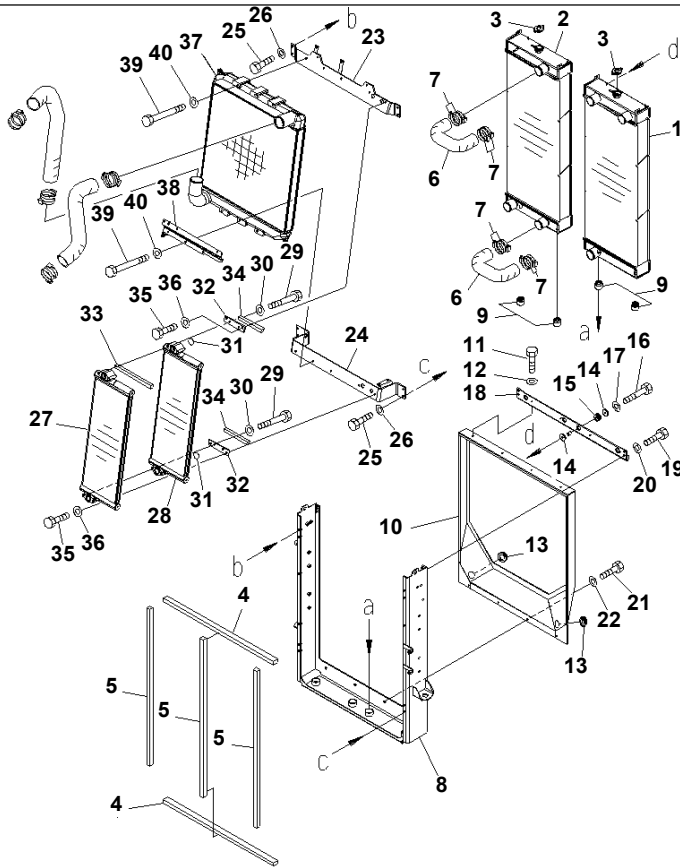
Page 030080

WA480-6 S/N 85001-90215 (ecot3, For North America)  
EXHAUST PIPE(#85001-)

Item	Part No.	Part Name	Qty	Serial No.
1	421-02-31114	EXHAUST PIPE	1	85001-
2	421-02-31120	CLAMP	1	85001-
3	01010-81285	BOLT	1	85001-
4	01640-21223	WASHER	2	85001-
5	01580-11210	NUT	2	85001-

**COOLING SYSTEM**

Item	Part Name	Qty
10	RADIATOR(#85001-90000)	1
20	RADIATOR(#90001-)	1
30	RADIATOR (UPPER SUPPORT AND SHEET)(#85001-90000)	1
40	RADIATOR (UPPER SUPPORT AND SHEET)(#90001-)	1
50	RADIATOR (FAN MOTOR AND MOUNTING PARTS)(#85001-90000)	1
60	RADIATOR (FAN MOTOR AND MOUNTING PARTS)(#90001-)	1
70	RADIATOR (FAN GUARD)(#85001-90000)	1
80	RADIATOR (FAN GUARD)(#90001-)	1
90	RADIATOR (BUCK ALARM)(#85001-)	1
100	RADIATOR (GRILL)(#85001-)	1
110	RADIATOR (LAMP)(#85001-)	1
120	RADIATOR (MOTOR PIPING AND BRACKET)(#85001-)	1
130	RADIATOR (HYDRAULIC COOLER LINE)(#85001-)	1
140	RADIATOR (REAR SUPPORT)(#85001-)	1
150	RADIATOR (CONDENSER)(#85001-)	1
160	RADIATOR (MOUNTING PARTS)(#85001-)	1
170	RADIATOR (PIPING)(#85001-)	1
180	RADIATOR (TORQUE CONVERTER COOLER AND PIPING)(#85001-90000)	1
190	RADIATOR (TORQUE CONVERTER COOLER AND PIPING)(#90001-)	1
200	RADIATOR (SHEET)(#85001-)	1
210	RADIATOR (TANK PIPING)(#85001-)	1
220	RADIATOR (BEND)(#85001-)	1
230	RADIATOR (BREATHER FOR FUEL TANK)(#85370-)	1
240	COOLING LINE(#85001-)	1



00050508

WA480-6 S/N 85001-90215 (ecot3, For North America)

RADIATOR(#85001-90000)

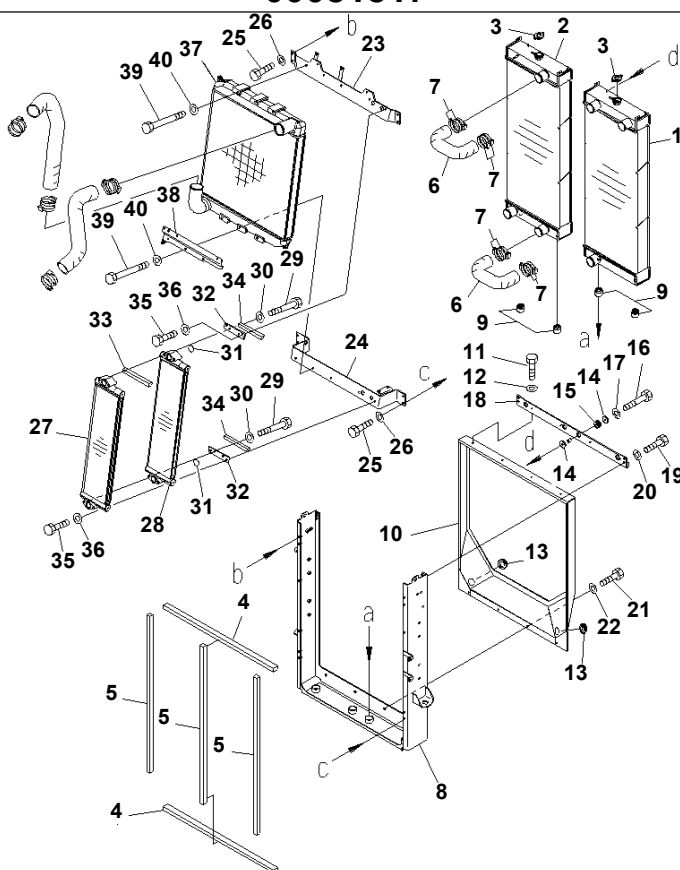
Item	Part No.	Part Name	Qty	Serial No.
	421-03-41101	RADIATOR ASS'Y	1	85370-90000
	421-03-41100	RADIATOR ASS'Y	1	85001-85369
1	421-03-44110	· CORE	1	85001-@
2	421-03-44120	· CORE	1	85001-@
3	416-03-11170	· CAP	2	85001-@
4	421-03-41150	· PACKING	2	85001-@
5	421-03-41160	· PACKING	3	85001-@
6	421-03-44430	· HOSE	2	85001-@
7	07289-00070	· CLAMP	8	85001-@
8	421-03-41121	· FRAME	1	85370-@
	421-03-41120	· FRAME	1	85001-85369
9	23C-03-51751	· CUSHION	4	85001-@
10	421-03-41130	· SHROUD	1	85001-@
11	01010-80820	· BOLT	4	85001-@
12	01643-30823	· WASHER	4	85001-@
13	09415-03614	· CAP	2	85001-@
14	178-60-12250	· COLLAR	8	85001-@
15	195-03-41380	· CUSHION	4	85001-@
16	01010-81050	· BOLT	4	85001-@
17	01643-31032	· WASHER	4	85001-@
18	421-03-41140	· PLATE	1	85001-@
19	01010-81025	· BOLT	4	85001-@
20	01643-31032	· WASHER	4	85001-@
21	01010-80820	· BOLT	4	85001-@
22	01643-30823	· WASHER	4	85001-@
23	421-03-41210	· BRACKET	1	85001-@
24	421-03-41220	· BRACKET	1	85001-@
25	01010-81025	· BOLT	8	85001-@
26	01643-31032	· WASHER	8	85001-@

WA480-6 S/N 85001-90215 (ecot3, For North America)

**RADIATOR(#85001-90000)**

Item	Part No.	Part Name	Qty	Serial No.
	421-03-44020	· OIL COOLER ASS'Y	1	85001-90000
27	421-03-44130	· · OIL COOLER	1	85001-90000
28	421-03-44140	· · OIL COOLER	1	85001-90000
29	01010-81080	· · BOLT	4	85001-@
30	01643-31032	· · WASHER	4	85001-@
31	07000-13035	· · O-RING	2	85001-@
32	421-03-44280	· · PLATE	2	85001-@
33	421-03-41270	· · PACKING	1	85001-90000
34	421-03-41360	· · PACKING	2	85001-@
35	01010-81025	· BOLT	4	85001-@
36	01643-31032	· WASHER	4	85001-@
37	421-03-44150	· AFTERCOOLER	1	85001-@
38	421-03-41260	· BRACKET	1	85001-@
39	01011-81015	· BOLT	6	85001-@
40	01643-31032	· WASHER	6	85001-@

WA480-6 S/N 85001-90215 (ecot3, For North America)  
00081817



00081817

Ref. C0110-01A0A

Page 060020

WA480-6 S/N 85001-90215 (ecot3, For North America)  
RADIATOR(#90001-)

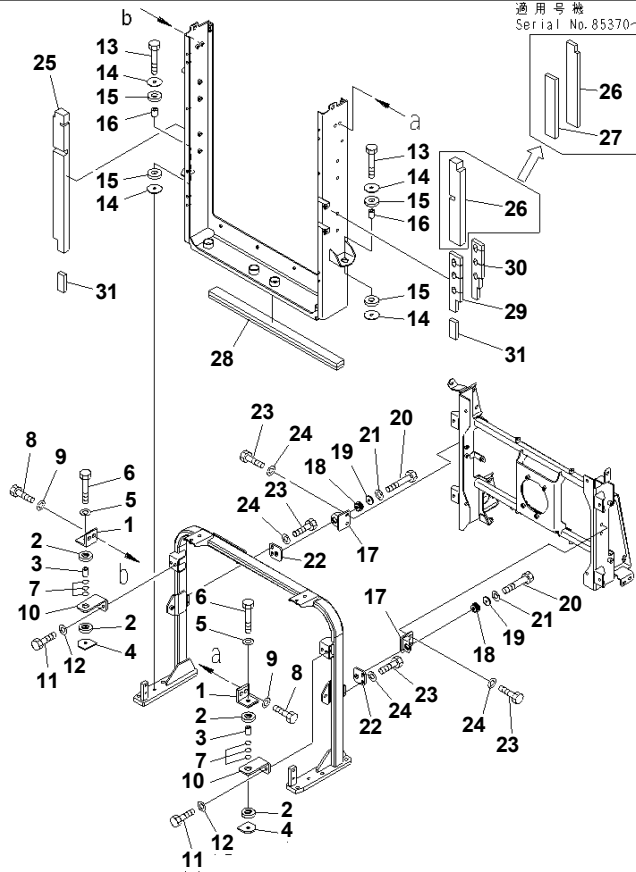
Item	Part No.	Part Name	Qty	Serial No.
	421-03-41500	RADIATOR ASS'Y	1	90001-
1	421-03-44110	· CORE	1	85001-
2	421-03-44120	· CORE	1	85001-
3	416-03-11170	· CAP	2	85001-
4	421-03-41150	· PACKING	2	85001-
5	421-03-41160	· PACKING	3	85001-
6	421-03-44430	· HOSE	2	85001-
7	07289-00070	· CLAMP	8	85001-
8	421-03-41121	· FRAME	1	85370-
9	23C-03-51751	· CUSHION	4	85001-
10	421-03-41130	· SHROUD	1	85001-
11	01010-80820	· BOLT	4	85001-
12	01643-30823	· WASHER	4	85001-
13	09415-03614	· CAP	2	85001-
14	178-60-12250	· COLLAR	8	85001-
15	195-03-41380	· CUSHION	4	85001-
16	01010-81050	· BOLT	4	85001-
17	01643-31032	· WASHER	4	85001-
18	421-03-41140	· PLATE	1	85001-
19	01010-81025	· BOLT	4	85001-
20	01643-31032	· WASHER	4	85001-
21	01010-80820	· BOLT	4	85001-
22	01643-30823	· WASHER	4	85001-
23	421-03-41210	· BRACKET	1	85001-
24	421-03-41220	· BRACKET	1	85001-
25	01010-81025	· BOLT	8	85001-
26	01643-31032	· WASHER	8	85001-
	421-03-44030	· OIL COOLER ASS'Y	1	90001-
27	421-03-44210	· OIL COOLER,L.H.	1	90001-

WA480-6 S/N 85001-90215 (ecot3, For North America)

**RADIATOR(#90001-)**

Item	Part No.	Part Name	Qty	Serial No.
28	421-03-44220	· · OIL COOLER,R.H.	1	90001-
29	01010-81080	· · BOLT	4	85001-
30	01643-31032	· · WASHER	4	85001-
31	07000-13035	· · O-RING	2	85001-
32	421-03-44280	· · PLATE	2	85001-
33	421-03-44230	· · PACKING	1	90001-
34	421-03-41360	· · PACKING	2	85001-
35	01010-81025	· BOLT	4	85001-
36	01643-31032	· WASHER	4	85001-
37	421-03-44150	· AFTERCOOLER	1	85001-
38	421-03-41260	· BRACKET	1	85001-
39	01011-81015	· BOLT	6	85001-
40	01643-31032	· WASHER	6	85001-

WA480-6 S/N 85001-90215 (ecot3, For North America)  
00086293



00086293

Ref. C0110-02A0

Page 060030

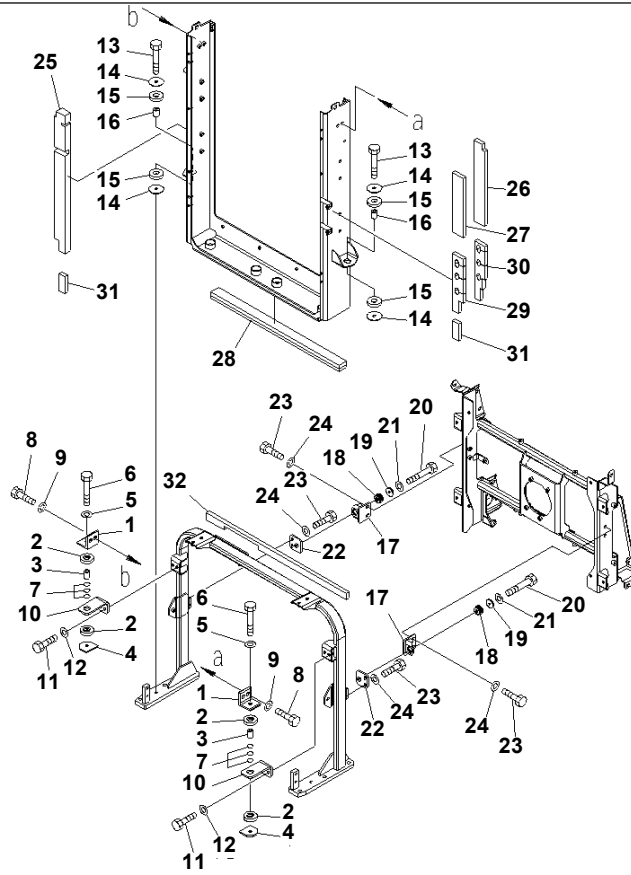
WA480-6 S/N 85001-90215 (ecot3, For North America)  
**RADIATOR (UPPER SUPPORT AND SHEET)(#85001-90000)**

Item	Part No.	Part Name	Qty	Serial No.
1	207-03-51230	BRACKET	2	85001-@
2	207-03-51380	CUSHION	4	85001-@
3	205-03-71330	COLLAR	2	85001-@
4	207-03-51240	BRACKET	2	85001-@
5	01643-31232	WASHER	2	85001-@
6	01010-81270	BOLT	2	85001-@
7	07000-13022	O-RING	6	85001-@
8	01010-81230	BOLT	4	85001-@
9	01643-31232	WASHER	4	85001-@
10	421-03-41230	PLATE	2	85001-@
11	01010-81230	BOLT	4	85001-@
12	01643-31232	WASHER	4	85001-@
13	01010-81460	BOLT	2	85001-@
14	421-03-31271	WASHER	4	85001-@
15	421-03-31260	CUSHION	4	85001-@
16	421-03-31281	SPACER	2	85001-@
17	421-54-42260	BRACKET	2	85001-@
18	195-03-41380	CUSHION	2	85001-@
19	178-60-12250	COLLAR	2	85001-@
20	01010-81050	BOLT	2	85001-@
21	01643-31032	WASHER	2	85001-@
22	421-54-42270	PLATE	2	85001-@
23	01010-81025	BOLT	8	85001-@
24	01643-31032	WASHER	8	85001-@
25	421-54-42530	SEAL (BONDED)	1	85001-@
26	421-54-45510	SHEET (BONDED)	1	85370-@
	421-54-42540	SHEET (BONDED)	1	85001-85369
27	421-54-45520	SHEET (BONDED)	1	85370-@
28	421-54-42570	SHEET (BONDED)	1	85001-@

WA480-6 S/N 85001-90215 (ecot3, For North America)  
**RADIATOR (UPPER SUPPORT AND SHEET)(#85001-90000)**

Item	Part No.	Part Name	Qty	Serial No.
29	421-54-42620	SHEET (BONDED)	1	85001-@
30	421-54-42630	SHEET (BONDED)	1	85001-@
31	421-54-42640	SHEET (BONDED)	2	85001-@

WA480-6 S/N 85001-90215 (ecot3, For North America)  
00081812



00081812

Ref. C0110-02A0A

Page 060040

WA480-6 S/N 85001-90215 (ecot3, For North America)  
**RADIATOR (UPPER SUPPORT AND SHEET)(#90001-)**

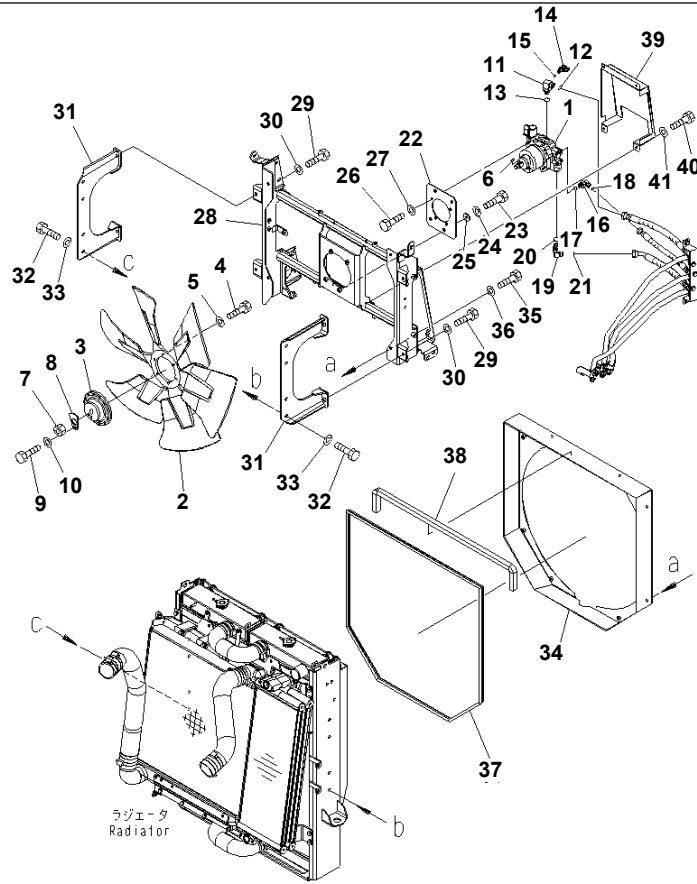
Item	Part No.	Part Name	Qty	Serial No.
1	207-03-51230	BRACKET	2	85001-
2	207-03-51380	CUSHION	4	85001-
3	205-03-71330	COLLAR	2	85001-
4	207-03-51240	BRACKET	2	85001-
5	01643-31232	WASHER	2	85001-
6	01010-81270	BOLT	2	85001-
7	07000-13022	O-RING	6	85001-
8	01010-81230	BOLT	4	85001-
9	01643-31232	WASHER	4	85001-
10	421-03-41230	PLATE	2	85001-
11	01010-81230	BOLT	4	85001-
12	01643-31232	WASHER	4	85001-
13	01010-81460	BOLT	2	85001-
14	421-03-31271	WASHER	4	85001-
15	421-03-31260	CUSHION	4	85001-
16	421-03-31281	SPACER	2	85001-
17	421-54-42260	BRACKET	2	85001-
18	195-03-41380	CUSHION	2	85001-
19	178-60-12250	COLLAR	2	85001-
20	01010-81050	BOLT	2	85001-
21	01643-31032	WASHER	2	85001-
22	421-54-42270	PLATE	2	85001-
23	01010-81025	BOLT	8	85001-
24	01643-31032	WASHER	8	85001-
25	421-54-42530	SEAL (BONDED)	1	85001-
26	421-54-45510	SHEET (BONDED)	1	90001-
27	421-54-45520	SHEET (BONDED)	1	90001-
28	421-54-42570	SHEET (BONDED)	1	85001-
29	421-54-42620	SHEET (BONDED)	1	85001-

WA480-6 S/N 85001-90215 (ecot3, For North America)  
**RADIATOR (UPPER SUPPORT AND SHEET)(#90001-)**

---

Item	Part No.	Part Name	Qty	Serial No.
30	421-54-42630	SHEET (BONDED)	1	85001-
31	421-54-42640	SHEET (BONDED)	2	85001-
32	421-54-43590	SHEET (BONDED)	1	90001-

WA480-6 S/N 85001-90215 (ecot3, For North America)  
00050510



00050510

Ref. C0110-03A0

Page 060050

WA480-6 S/N 85001-90215 (ecot3, For North America)  
**RADIATOR (FAN MOTOR AND MOUNTING PARTS)(#85001-90000)**

Item	Part No.	Part Name	Qty	Serial No.
1	(708-7S-00550)	MOTOR ASS'Y,(SEE FIG. Y1642-01A0)	1	85001-@
2	600-645-7850	FAN	1	85001-@
3	423-03-31710	BOSS	1	85001-@
4	01010-81030	BOLT	6	85001-90000
5	01643-31032	WASHER	6	85001-90000
6	04010-00722	KEY	1	85001-@
7	01583-12012	NUT	1	85001-@
8	154-03-72270	LOCK	1	85001-@
9	01010-81020	BOLT	1	85001-@
10	01643-31032	WASHER	1	85001-@
11	421-62-41510	ELBOW	1	85001-@
12	02896-11015	O-RING	1	85001-@
13	07002-12434	O-RING	1	85001-@
14	799-101-5220	NIPPLE	1	85001-@
15	07002-11023	O-RING	1	85001-@
16	02782-10420	ELBOW	1	85001-@
17	07002-11823	O-RING	1	85001-@
18	02896-11012	O-RING	1	85001-@
19	02782-10522	ELBOW	1	85001-@
20	07002-12434	O-RING	1	85001-@
21	02896-11015	O-RING	1	85001-@
22	423-62-44660	PLATE	1	85001-90000
23	01010-81230	BOLT	4	85001-@
24	01643-31232	WASHER	4	85001-@
25	419-43-17920	WASHER	4	85001-@
26	01010-81230	BOLT	4	85001-@
27	01643-31232	WASHER	4	85001-@
28	421-62-41110	BRACKET	1	85001-90000
29	01010-D1230	BOLT	4	85001-@



**Suggest:**

**For more complete manuals. Please go to the home page.**

**<https://www.ebooklibonline.com>**

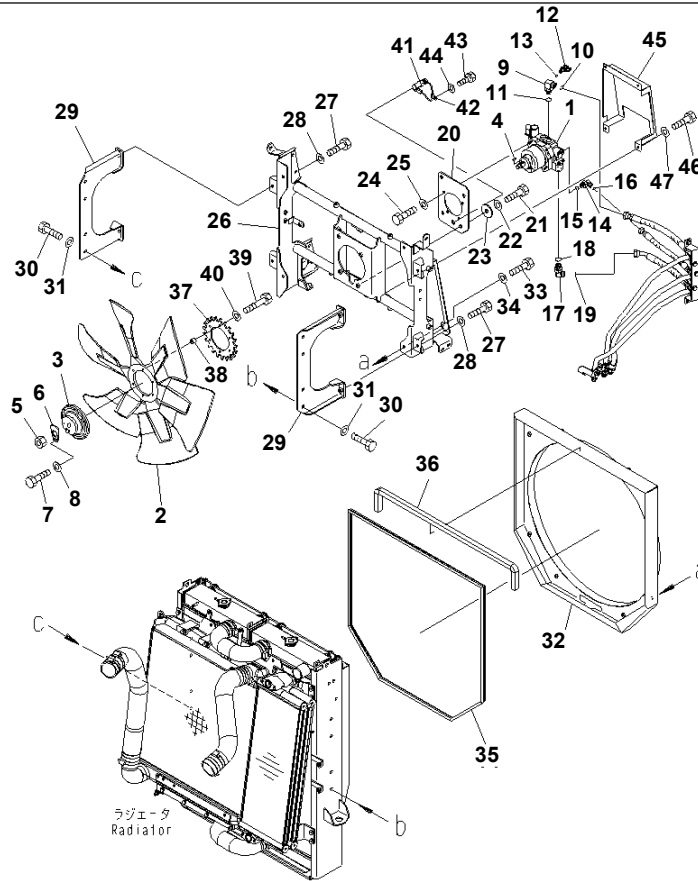
**If the above button click is invalid. Please download this document first, and then click the above link to download the complete manual.**

**Thank you so much for reading**

**WA480-6 S/N 85001-90215 (ecot3, For North America)**  
**RADIATOR (FAN MOTOR AND MOUNTING PARTS)(#85001-90000)**

Item	Part No.	Part Name	Qty	Serial No.
30	01643-71232	WASHER	4	85001-@
31	421-03-41240	BRACKET	2	85001-@
32	01010-81230	BOLT	8	85001-@
33	01643-31232	WASHER	8	85001-@
34	421-03-41110	SHROUD	1	85001-90000
35	01010-D1220	BOLT	4	85001-90000
36	01643-71232	WASHER	4	85001-@
37	421-03-41280	SEAL	1	85001-90000
38	421-03-41510	SEAL (BONDED)	1	85001-@
39	421-62-42510	COVER	1	85001-@
40	01010-D1020	BOLT	4	85001-@
41	01643-71032	WASHER	4	85001-@

WA480-6 S/N 85001-90215 (ecot3, For North America)  
00081810



00081810

Ref. C0110-03A0A

Page 060060

WA480-6 S/N 85001-90215 (ecot3, For North America)  
**RADIATOR (FAN MOTOR AND MOUNTING PARTS)(#90001-)**

Item	Part No.	Part Name	Qty	Serial No.
1	(708-7S-00550)	MOTOR ASS'Y,(SEE FIG. Y1642-01A0)	1	85001-
2	600-645-7850	FAN	1	85001-
3	423-03-31710	BOSS	1	85001-
4	04010-00722	KEY	1	85001-
5	01583-12012	NUT	1	85001-
6	154-03-72270	LOCK	1	85001-
7	01010-81020	BOLT	1	85001-
8	01643-31032	WASHER	1	85001-
9	421-62-41510	ELBOW	1	85001-
10	02896-11015	O-RING	1	85001-
11	07002-12434	O-RING	1	85001-
12	799-101-5220	NIPPLE	1	85001-
13	07002-11023	O-RING	1	85001-
14	02782-10420	ELBOW	1	85001-
15	07002-11823	O-RING	1	85001-
16	02896-11012	O-RING	1	85001-
17	02782-10522	ELBOW	1	85001-
18	07002-12434	O-RING	1	85001-
19	02896-11015	O-RING	1	85001-
20	421-62-41860	PLATE	1	90001-
21	01010-81230	BOLT	4	85001-
22	01643-31232	WASHER	4	85001-
23	419-43-17920	WASHER	4	85001-
24	01010-81230	BOLT	4	85001-
25	01643-31232	WASHER	4	85001-
26	421-62-41810	BRACKET	1	90001-
27	01010-D1230	BOLT	4	85001-
28	01643-71232	WASHER	4	85001-
29	421-03-41240	BRACKET	2	85001-

**<https://www.ebooklibonline.com>**

Hello dear friend!

Thank you very much for reading.

Enter the link into your browser.

The full manual is available for immediate download.

**<https://www.ebooklibonline.com>**