

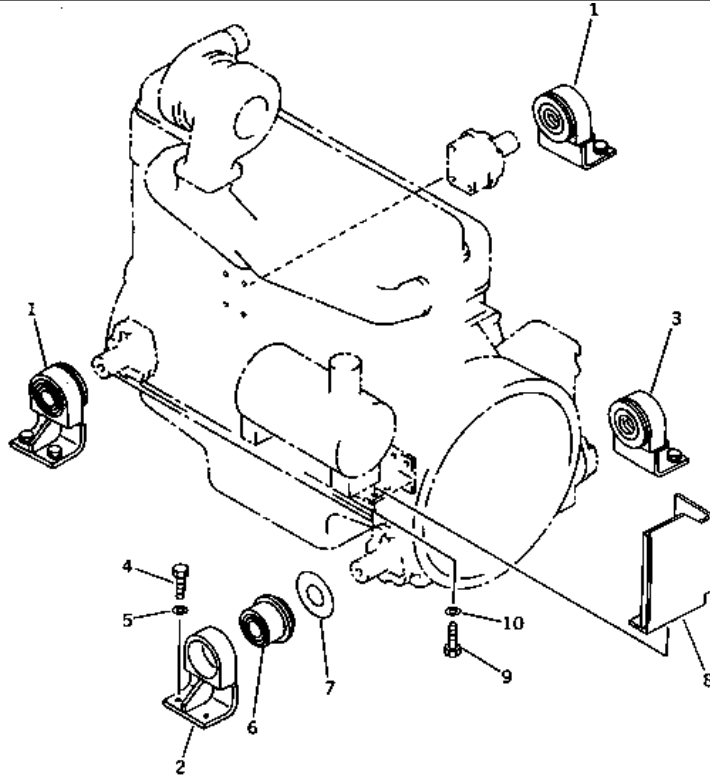
**PW210-1 S/N 10001-UP**  
**PW210-1 S/N 10001-UP**

| Item | Part Name                                 |
|------|---|
|      | S6D105-1VV-6 S/N 65001-UP                 |
| B0   | ENGINE RELATED PARTS                      |
| C0   | COOLING SYSTEM                            |
| D0   | FUEL TANK AND RELATED PARTS               |
| E0   | ELECTRICAL SYSTEM                         |
| G0   | AIR SYSTEM                                |
| H0   | HYDRAULIC SYSTEM                          |
| J0   | MAIN/REVOLVING FRAME AND RELATED PARTS    |
| K0   | OPERATOR'S COMPARTMENT AND CONTROL SYSTEM |
| M0   | GUARD                                     |
| N0   | SWING CIRCLE AND RELATED PARTS            |
| P0   | TRAVEL AND LOWER PIPING                   |
| S0   | UNDER CARRIAGE                            |
| T0   | WORK EQUIPMENT                            |
| U0   | MARKS AND PLATES                          |
| V0   | ACCESSORY                                 |
| Y0   | SERVICE KIT AND COMPONENT PARTS           |

**PW210-1 S/N 10001-UP**  
**ENGINE RELATED PARTS**

| Item | Part Name   | Qty |
|------|---|-----|
| 10   | ENGINE MOUNT  | 1   |
| 20   | AIR INTAKE AND TAIL PIPE(#10001-10143)                  | 1   |
| 30   | AIR INTAKE AND TAIL PIPE (SINGLE ELEMENT TYPE)(#10144-) | 1   |
| 40   | AIR INTAKE AND TAIL PIPE (DOUBLE ELEMENT TYPE)(#10144-) | 1   |
| 50   | AUTO DECELERATION CYLINDER                              | 1   |
| 60   | AUTO DECELERATION CYLINDER PIPING (1/2)                 | 1   |
| 70   | AUTO DECELERATION CYLINDER PIPING (2/2)                 | 1   |
| 80   | DAMPER  | 1   |

PW210-1 S/N 10001-UP  
 @@12770@



Ref. B0100-01A0

Page 030010

PW210-1 S/N 10001-UP  
 ENGINE MOUNT

| Item | Part No.     | Part Name          | Qty | Serial No.  |
|------|--------------|--------------------|-----|-------------|
| 1    | 205-01-71162 | BRACKET,FRONT      | 2   | 10001-      |
| 2    | 20K-01-12120 | BRACKET,REAR, L.H. | 1   | 10001-      |
| 3    | 20K-01-12130 | BRACKET,REAR, R.H. | 1   | 10001-      |
| 4    | 01010-81635  | BOLT               | 8   | 10001-      |
| 5    | 01643-31645  | WASHER             | 8   | 10001-      |
| 6    | 205-01-71111 | CUSHION            | 4   | 10001-      |
| 7    | 205-01-71151 | SPACER             | 4   | 10001-      |
| 8    | 20K-01-11170 | COVER              | 1   | 10001-      |
| 9    | 01010-81025  | BOLT               | 2   | 10112-      |
|      | 01010-51025  | BOLT               | 2   | 10006-10111 |
|      | 01010-51020  | BOLT               | 2   | 10001-10005 |
| 10   | 01643-31032  | WASHER             | 2   | 10001-      |

**<https://www.ebooklibonline.com>**

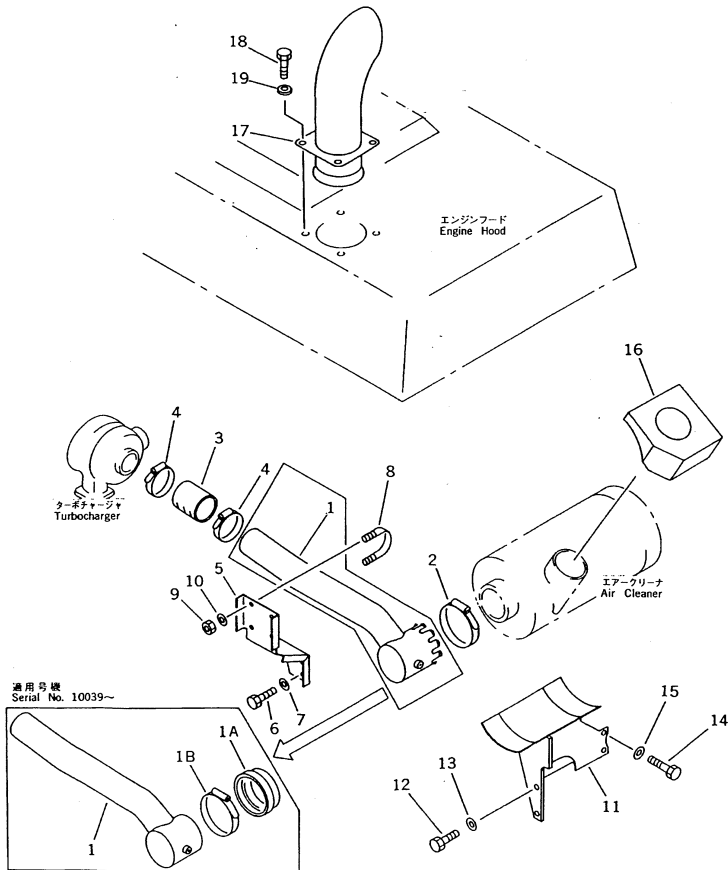
Hello dear friend!

Thank you very much for reading.

Enter the link into your browser.

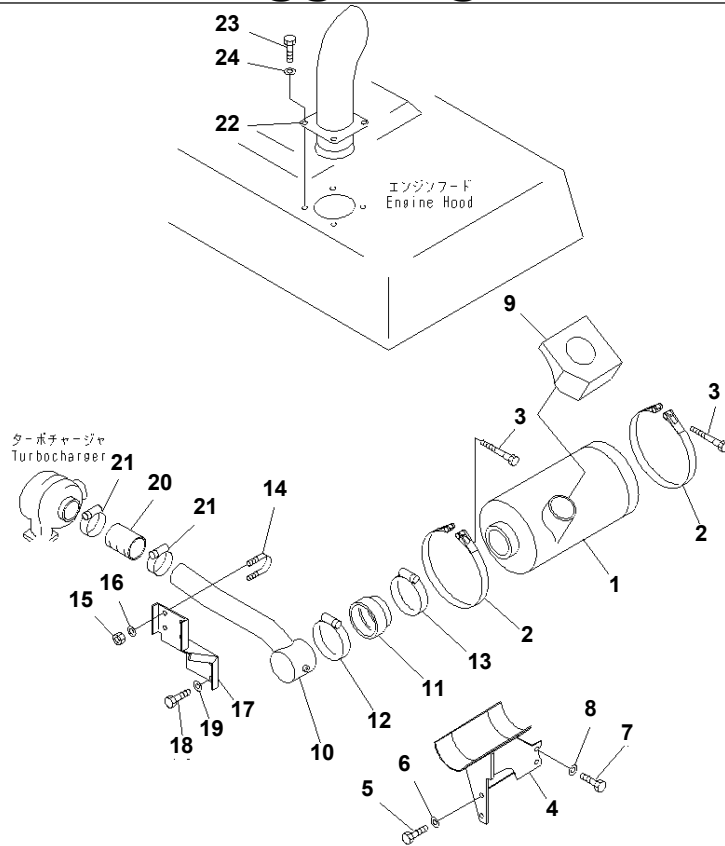
The full manual is available for immediate download.

**<https://www.ebooklibonline.com>**



PW210-1 S/N 10001-UP  
AIR INTAKE AND TAIL PIPE(#10001-10143)

| Item | Part No.      | Part Name | Qty | Serial No.  |
|------|---------------|-----------|-----|-------------|
| 1    | 206-01-45112  | TUBE      | 1   | 10039-@     |
|      | 206-01-45111  | TUBE      | 1   | 10001-10038 |
| 1A   | 206-01-45290  | HOSE      | 1   | 10039-@     |
| 1B   | 07281-01279   | CLAMP     | 1   | 10039-@     |
| 2    | 07281-01159   | CLAMP     | 1   | 10001-@     |
| 3    | 6131-11-4470  | HOSE      | 1   | 10001-@     |
| 4    | 07281-01029   | CLAMP     | 2   | 10001-@     |
| 5    | 206-01-45142  | BRACKET   | 1   | 10039-@     |
|      | 206-01-45141  | BRACKET   | 1   | 10001-10038 |
| 6    | 01010-51030   | BOLT      | 2   | 10001-10143 |
| 7    | 01643-31032   | WASHER    | 2   | 10001-@     |
| 8    | 07283-27663   | CLIP      | 2   | 10001-@     |
| 9    | 01599-01011   | NUT       | 4   | 10001-@     |
| 10   | 01643-31032   | WASHER    | 4   | 10001-@     |
| 11   | 20K-01-12110  | BRACKET   | 1   | 10001-@     |
| 12   | 01010-51230   | BOLT      | 2   | 10001-10143 |
| 13   | 01643-31232   | WASHER    | 2   | 10001-@     |
| 14   | 01010-51250   | BOLT      | 2   | 10001-10143 |
| 15   | 01643-31232   | WASHER    | 2   | 10001-@     |
| 16   | 206-01-45163  | SEAL      | 1   | 10021-@     |
|      | □206-01-45162 | SEAL      | 1   | 10001-10020 |
| 17   | 205-01-73132  | PIPE,TAIL | 1   | 10001-@     |
| 18   | 01010-51230   | BOLT      | 4   | 10001-10143 |
| 19   | 124-54-26540  | WASHER    | 4   | 10001-@     |



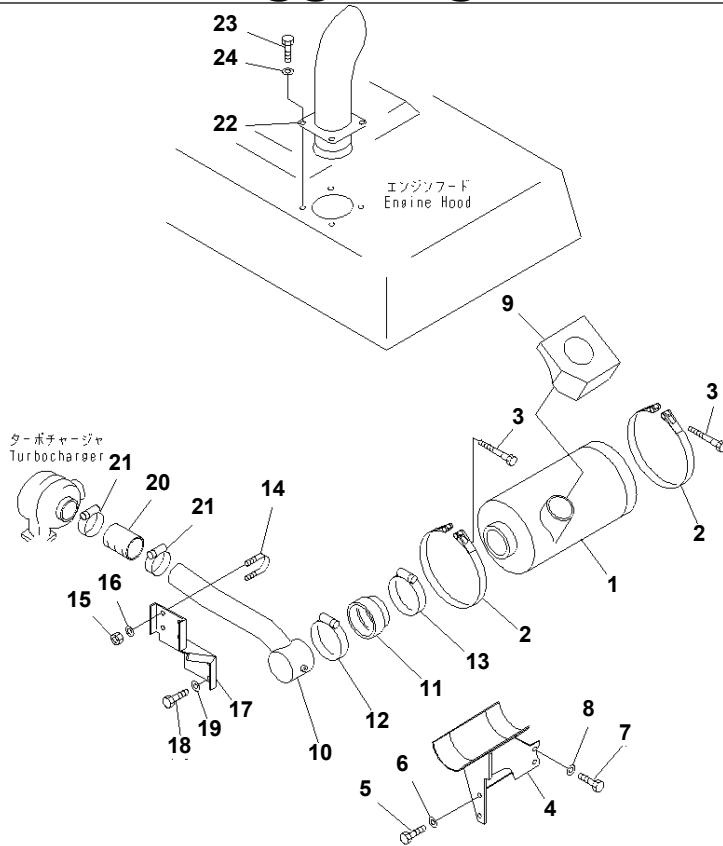
PJ1D741

Ref. B0200-01A0A

Page 030030

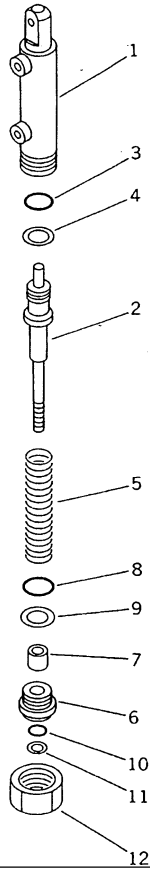
PW210-1 S/N 10001-UP  
**AIR INTAKE AND TAIL PIPE (SINGLE ELEMENT TYPE)(#10144-)**

| Item | Part No.       | Part Name         | Qty | Serial No. |
|------|----------------|-------------------|-----|------------|
| 1    | (600-181-6500) | AIR CLEANER ASS'Y | 1   | 10144-     |
| 2    | 6131-11-4520   | BAND ASS'Y        | 2   | 10144-     |
| 3    | 6643-11-4641   | BOLT              | 2   | 10144-     |
| 4    | 20K-01-12110   | BRACKET           | 1   | 10001-     |
| 5    | 01010-81230    | BOLT              | 2   | 10144-     |
| 6    | 01643-31232    | WASHER            | 2   | 10001-     |
| 7    | 01010-81250    | BOLT              | 2   | 10144-     |
| 8    | 01643-31232    | WASHER            | 2   | 10001-     |
| 9    | 206-01-45163   | SEAL              | 1   | 10021-     |
| 10   | 206-01-45112   | TUBE              | 1   | 10039-     |
| 11   | 206-01-45290   | HOSE              | 1   | 10039-     |
| 12   | 07281-01279    | CLAMP             | 1   | 10039-     |
| 13   | 07281-01159    | CLAMP             | 1   | 10001-     |
| 14   | 07283-27663    | CLIP              | 2   | 10001-     |
| 15   | 01599-01011    | NUT               | 4   | 10001-     |
| 16   | 01643-31032    | WASHER            | 4   | 10001-     |
| 17   | 206-01-45142   | BRACKET           | 1   | 10039-     |
| 18   | 01010-81030    | BOLT              | 2   | 10144-     |
| 19   | 01643-31032    | WASHER            | 2   | 10001-     |
| 20   | 6131-11-4470   | HOSE              | 1   | 10001-     |
| 21   | 07281-01029    | CLAMP             | 2   | 10001-     |
| 22   | 205-01-73132   | PIPE              | 1   | 10001-     |
| 23   | 01010-81230    | BOLT              | 4   | 10144-     |
| 24   | 124-54-26540   | WASHER            | 4   | 10001-     |



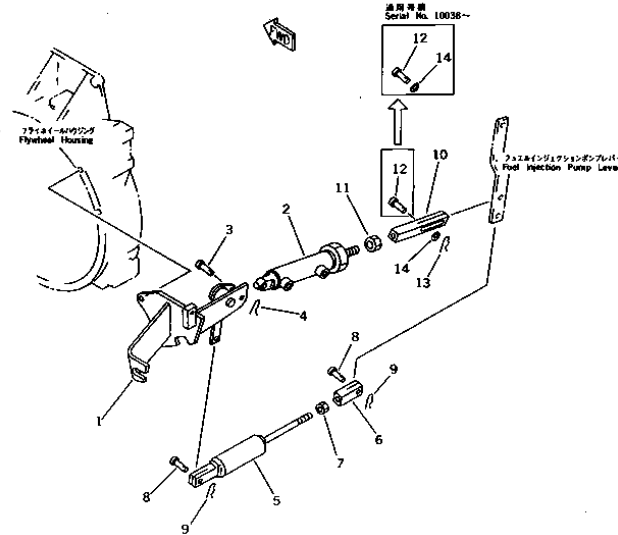
PW210-1 S/N 10001-UP  
**AIR INTAKE AND TAIL PIPE (DOUBLE ELEMENT TYPE)(#10144-)**

| Item | Part No.       | Part Name         | Qty | Serial No. |
|------|----------------|-------------------|-----|------------|
| 1    | (600-181-6400) | AIR CLEANER ASS'Y | 1   | 10144-     |
| 2    | 6131-11-4520   | BAND ASS'Y        | 2   | 10144-     |
| 3    | 6643-11-4641   | BOLT              | 2   | 10144-     |
| 4    | 20K-01-12110   | BRACKET           | 1   | 10001-     |
| 5    | 01010-81230    | BOLT              | 2   | 10144-     |
| 6    | 01643-31232    | WASHER            | 2   | 10001-     |
| 7    | 01010-81250    | BOLT              | 2   | 10144-     |
| 8    | 01643-31232    | WASHER            | 2   | 10001-     |
| 9    | 206-01-45163   | SEAL              | 1   | 10021-     |
| 10   | 206-01-45112   | TUBE              | 1   | 10039-     |
| 11   | 206-01-45290   | HOSE              | 1   | 10039-     |
| 12   | 07281-01279    | CLAMP             | 1   | 10039-     |
| 13   | 07281-01159    | CLAMP             | 1   | 10001-     |
| 14   | 07283-27663    | CLIP              | 2   | 10001-     |
| 15   | 01599-01011    | NUT               | 4   | 10001-     |
| 16   | 01643-31032    | WASHER            | 4   | 10001-     |
| 17   | 206-01-45142   | BRACKET           | 1   | 10039-     |
| 18   | 01010-81030    | BOLT              | 2   | 10144-     |
| 19   | 01643-31032    | WASHER            | 2   | 10001-     |
| 20   | 6131-11-4470   | HOSE              | 1   | 10001-     |
| 21   | 07281-01029    | CLAMP             | 2   | 10001-     |
| 22   | 205-01-73132   | PIPE              | 1   | 10001-     |
| 23   | 01010-81230    | BOLT              | 4   | 10144-     |
| 24   | 124-54-26540   | WASHER            | 4   | 10001-     |



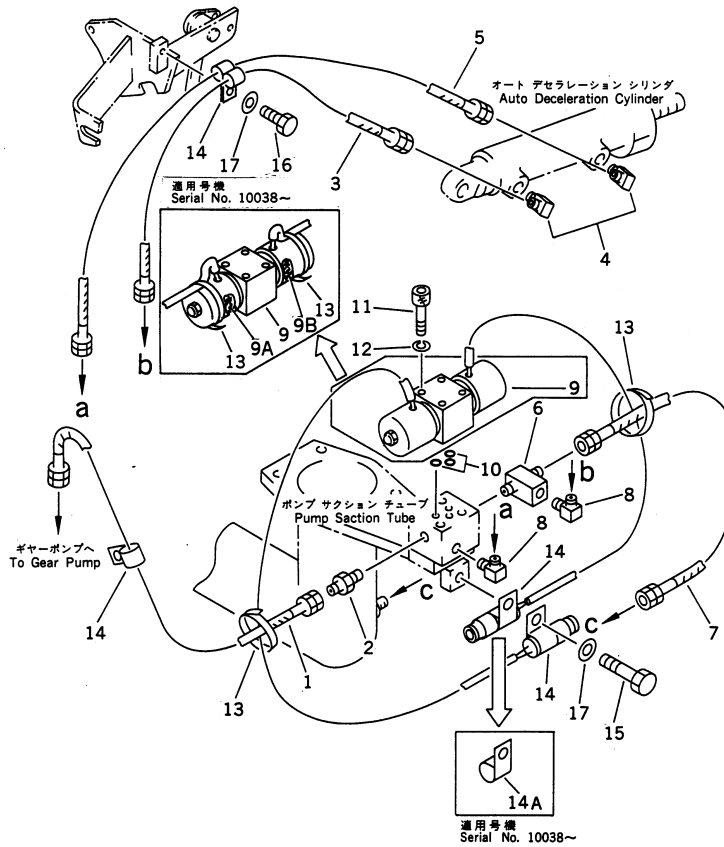
PW210-1 S/N 10001-UP  
**AUTO DECELERATION CYLINDER**

| Item | Part No.     | Part Name                   | Qty | Serial No. |
|------|--------------|-----------------------------|-----|------------|
|      | 205-43-74120 | CYLINDER ASS'Y,DECELERATION | 1   | 10001-     |
| 1    | 205-43-74130 | · CYLINDER                  | 1   | 10001-     |
| 2    | 205-43-74140 | · PISTON                    | 1   | 10001-     |
| 3    | 07002-12434  | · O-RING                    | 1   | 10001-     |
| 4    | 07001-03022  | · RING,BACK-UP              | 1   | 10001-     |
| 5    | 205-43-74150 | · SPRING                    | 1   | 10001-     |
| 6    | 20X-62-13612 | · STOPPER                   | 1   | 10001-     |
| 7    | 20X-62-13622 | · BUSHING                   | 1   | 10001-     |
| 8    | 07000-13028  | · O-RING                    | 1   | 10001-     |
| 9    | 07001-03028  | · RING,BACK-UP              | 1   | 10001-     |
| 10   | 07000-12015  | · O-RING                    | 1   | 10001-     |
| 11   | 07001-02015  | · RING,BACK-UP              | 1   | 10001-     |
| 12   | 20X-62-13632 | · NUT                       | 1   | 10001-     |



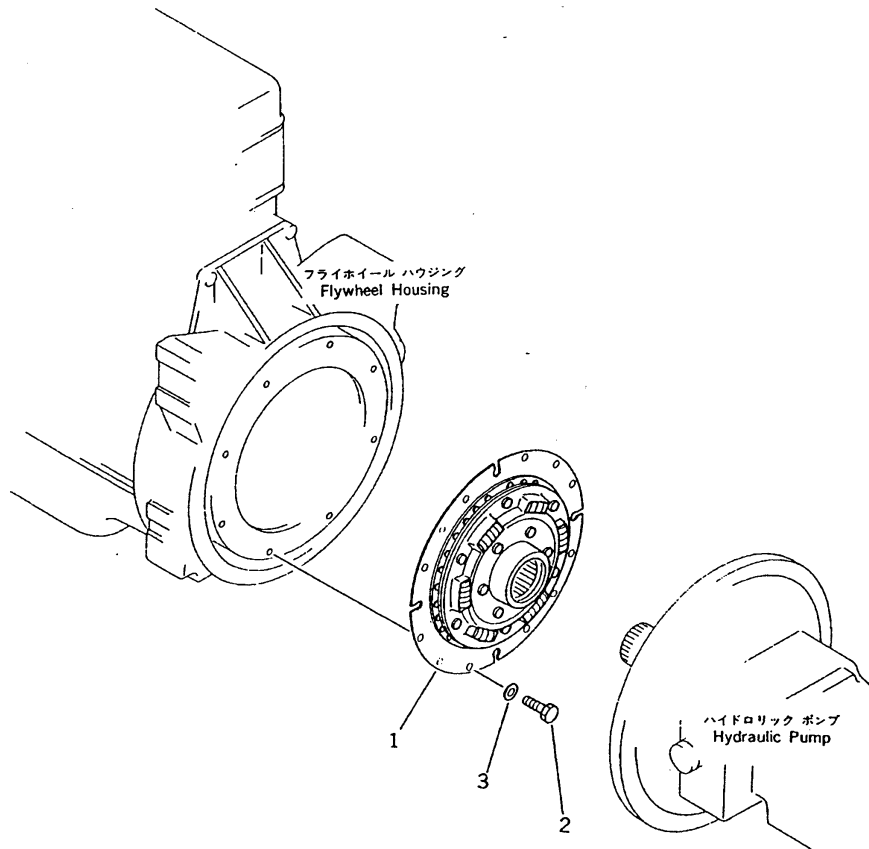
PW210-1 S/N 10001-UP  
**AUTO DECELERATION CYLINDER PIPING (1/2)**

| Item | Part No.       | Part Name      | Qty | Serial No.  |
|------|----------------|----------------|-----|-------------|
| 1    | 20K-43-13110   | LEVER          | 1   | 10001-      |
| 2    | (205-43-74120) | CYLINDER ASS'Y | 1   | 10001-      |
| 3    | 04205-31250    | PIN            | 1   | 10001-      |
| 4    | 04052-01253    | PIN,SNAP       | 1   | 10001-      |
| 5    | 205-43-74311   | ROD ASS'Y      | 1   | 10001-      |
| 6    | 04211-21055    | YOKE           | 1   | 10001-      |
| 7    | 01582-11008    | NUT            | 1   | 10001-      |
| 8    | 04205-31028    | PIN            | 2   | 10001-      |
| 9    | 04052-01038    | PIN,SNAP       | 2   | 10001-      |
| 10   | 205-43-74160   | YOKE           | 1   | 10001-      |
| 11   | 01582-11411    | NUT            | 1   | 10001-      |
| 12   | 04205-31032    | PIN            | 1   | 10038-      |
|      | 04205-31028    | PIN            | 1   | 10001-10037 |
| 13   | 04052-01038    | PIN,SNAP       | 1   | 10001-      |
| 14   | 01640-21016    | WASHER         | 2   | 10038-      |
|      | 01640-21016    | WASHER         | 1   | 10001-10037 |
| 15   | 08036-01814    | CLIP           | 2   | 10001-      |
| 16   | 01010-81225    | BOLT           | 1   | 10112-      |
|      | 01010-51225    | BOLT           | 1   | 10001-10111 |
| 17   | 01643-31232    | WASHER         | 1   | 10001-      |



PW210-1 S/N 10001-UP  
**AUTO DECELERATION CYLINDER PIPING (2/2)**

| Item | Part No.     | Part Name            | Qty | Serial No.  |
|------|--------------|----------------------|-----|-------------|
| 1    | 07102-20207  | HOSE                 | 1   | 10001-      |
| 2    | 07238-10210  | CONNECTOR            | 1   | 10069-      |
|      | 07238-00210  | CONNECTOR            | 1   | 10001-10068 |
| 3    | 07102-20207  | HOSE                 | 1   | 10001-      |
| 4    | 205-43-74190 | ELBOW                | 2   | 10001-      |
| 5    | 07102-20208  | HOSE                 | 1   | 10001-      |
| 6    | 205-43-74181 | TEE                  | 1   | 10001-      |
| 7    | 07102-20206  | HOSE                 | 1   | 10001-      |
| 8    | 205-43-74190 | ELBOW                | 2   | 10001-      |
| 9    | 205-43-74222 | VALVE ASS'Y,SOLENOID | 1   | 10001-      |
| 9A   | CKMC-335E-3P | ・ COIL ASS'Y         | 1   | 10001-      |
| 9B   | CKMC-335E-2P | ・ COIL ASS'Y         | 1   | 10001-      |
| 10   | 07000-11006  | ・ O-RING             | 3   | 10148-      |
|      | 07000-01006  | ・ O-RING             | 3   | 10001-10147 |
| 11   | 01252-40550  | BOLT                 | 4   | 10001-      |
| 12   | 01601-20513  | WASHER,SPRING        | 4   | 10001-      |
| 13   | 08034-00519  | BAND                 | 4   | 10038-      |
|      | 08034-00519  | BAND                 | 2   | 10001-10037 |
| 14   | 08036-01814  | CLIP                 | 4   | 10038-      |
|      | 08036-01814  | CLIP                 | 5   | 10001-10037 |
| 14A  | 195-06-41820 | CLIP                 | 1   | 10038-      |
| 15   | 01010-81220  | BOLT                 | 1   | 10112-      |
|      | 01010-51220  | BOLT                 | 1   | 10001-10111 |
| 16   | 01010-81225  | BOLT                 | 1   | 10112-      |
|      | 01010-51225  | BOLT                 | 1   | 10001-10111 |
| 17   | 01643-31232  | WASHER               | 2   | 10001-      |



Ref. B0600-01A0

Page 030080

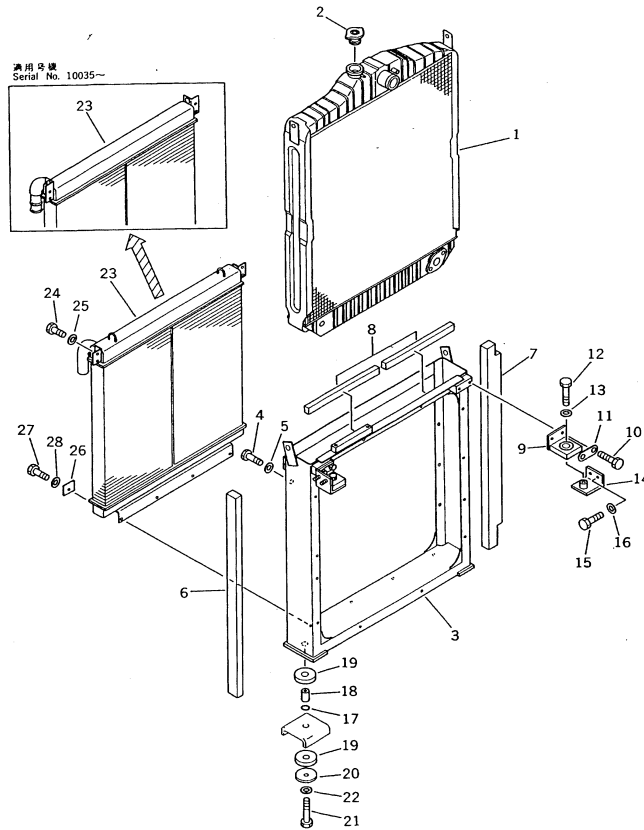
PW210-1 S/N 10001-UP  
DAMPER

| Item | Part No.      | Part Name   | Qty | Serial No.  |
|------|---------------|-------------|-----|-------------|
| 1    | 206-01-58360  | DAMPER      | 1   | 10075-      |
|      | □205-01-72110 | DAMPER,DISC | 1   | 10001-10074 |
| 2    | 01010-81020   | BOLT        | 8   | 10112-      |
|      | 01010-51020   | BOLT        | 8   | 10001-10111 |
| 3    | 01643-31032   | WASHER      | 8   | 10001-      |

**PW210-1 S/N 10001-UP  
COOLING SYSTEM**

---

| Item | Part Name                 | Qty |
|------|---------------------------|-----|
| 10   | RADIATOR AND OIL COOLER   | 1   |
| 20   | RADIATOR GUARD AND PIPING | 1   |

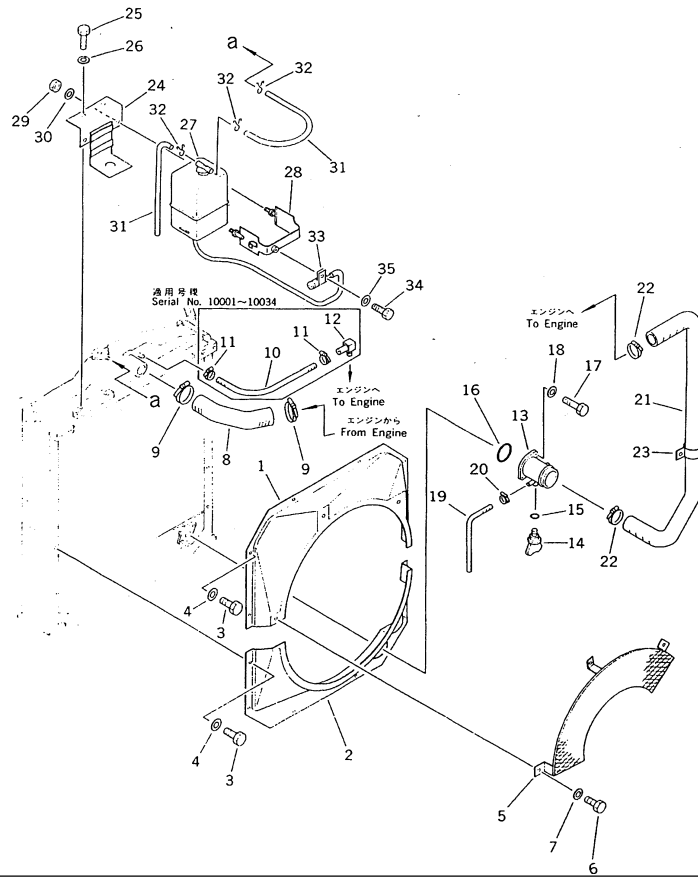


PW210-1 S/N 10001-UP  
RADIATOR AND OIL COOLER

| Item | Part No.      | Part Name      | Qty | Serial No.  |
|------|---------------|----------------|-----|-------------|
|      | 205-03-00041  | RADIATOR ASS'Y | 1   | 10035-      |
|      | 205-03-00040  | RADIATOR ASS'Y | 1   | 10001-10034 |
| 1    | 205-03-71111  | · CORE ASS'Y   | 1   | 10035-      |
|      | 205-03-71110  | · CORE ASS'Y   | 1   | 10001-10034 |
| 2    | 205-03-71280  | · CAP ASS'Y    | 1   | 10001-      |
| 3    | 205-03-71131  | FRAME          | 1   | 10001-      |
| 4    | 01010-80816   | BOLT           | 8   | 10112-      |
|      | 01010-50816   | BOLT           | 8   | 10001-10111 |
| 5    | 01643-30823   | WASHER         | 8   | 10001-      |
| 6    | 205-03-71362  | SEAL           | 1   | 10038-      |
|      | ◆205-03-71361 | SEAL           | 1   | 10001-10037 |
| 7    | 205-03-71352  | SEAL           | 1   | 10038-      |
|      | ◆205-03-71351 | SEAL           | 1   | 10001-10037 |
| 8    | 205-03-71381  | SEAL           | 1   | 10038-      |
|      | ◆205-03-71380 | SEAL           | 2   | 10001-10037 |
| 9    | 205-03-71310  | DAMPER ASS'Y   | 2   | 10001-      |
| 10   | 01010-81230   | BOLT           | 4   | 10112-      |
|      | 01010-51230   | BOLT           | 4   | 10001-10111 |
| 11   | 205-03-71520  | WASHER         | 2   | 10001-      |
| 12   | 01010-81260   | BOLT           | 2   | 10112-      |
|      | 01010-51260   | BOLT           | 2   | 10001-10111 |
| 13   | 01643-31232   | WASHER         | 2   | 10001-      |
| 14   | 205-03-71292  | BRACKET        | 2   | 10001-      |
| 15   | 01010-81230   | BOLT           | 4   | 10112-      |
|      | 01010-51230   | BOLT           | 4   | 10001-10111 |
| 16   | 01643-31232   | WASHER         | 4   | 10001-      |
| 17   | 07000-13022   | O-RING         | 2   | 10148-      |
|      | 07000-03022   | O-RING         | 2   | 10001-10147 |
| 18   | 205-03-71330  | COLLAR         | 2   | 10001-      |

**PW210-1 S/N 10001-UP**  
**RADIATOR AND OIL COOLER**

| Item | Part No.     | Part Name        | Qty | Serial No.  |
|------|--------------|------------------|-----|-------------|
| 19   | 205-03-71470 | CUSHION          | 4   | 10001-      |
| 20   | 205-03-71340 | PLATE            | 2   | 10001-      |
| 21   | 01010-81270  | BOLT             | 2   | 10112-      |
|      | 01010-51270  | BOLT             | 2   | 10001-10111 |
| 22   | 01643-31232  | WASHER           | 2   | 10001-      |
| 23   | 205-03-71121 | OIL COOLER ASS'Y | 1   | 10001-      |
| 24   | 01010-80820  | BOLT             | 4   | 10112-      |
|      | 01010-50820  | BOLT             | 4   | 10001-10111 |
| 25   | 01643-30823  | WASHER           | 4   | 10001-      |
| 26   | 205-03-71390 | PLATE            | 4   | 10001-      |
| 27   | 01010-80825  | BOLT             | 4   | 10112-      |
|      | 01010-50825  | BOLT             | 4   | 10001-10111 |
| 28   | 01643-30823  | WASHER           | 4   | 10001-      |



PW210-1 S/N 10001-UP  
RADIATOR GUARD AND PIPING

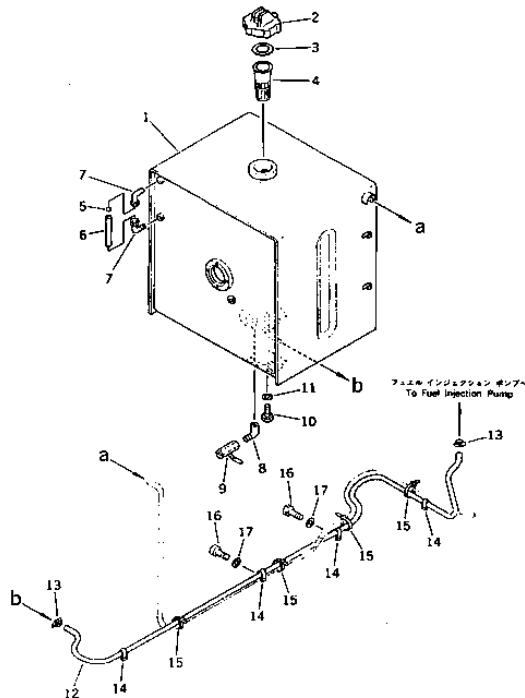
| Item | Part No.     | Part Name    | Qty | Serial No.  |
|------|--------------|--------------|-----|-------------|
| 1    | 205-03-71140 | SHROUD,UPPER | 1   | 10001-      |
| 2    | 205-03-71150 | SHROUD,LOWER | 1   | 10001-      |
| 3    | 01010-80816  | BOLT         | 1   | 10112-      |
|      | 01010-50816  | BOLT         | 12  | 10001-10111 |
| 4    | 01643-30823  | WASHER       | 12  | 10001-      |
| 5    | 205-03-71161 | GUARD        | 1   | 10001-      |
| 6    | 01010-80816  | BOLT         | 3   | 10112-      |
|      | 01010-50816  | BOLT         | 3   | 10001-10111 |
| 7    | 01643-30823  | WASHER       | 3   | 10001-      |
| 8    | 205-03-71170 | HOSE         | 1   | 10001-      |
| 9    | 07281-00909  | CLAMP        | 2   | 10001-      |
| 10   | 09483-00305  | HOSE         | 1   | 10001-10034 |
| 11   | 07281-00197  | CLAMP        | 2   | 10001-10034 |
| 12   | 205-03-71480 | ELBOW        | 1   | 10001-10034 |
| 13   | 205-03-71210 | TUBE         | 1   | 10001-      |
| 14   | 205-03-62660 | PLUG         | 1   | 10001-      |
| 15   | 07000-11007  | O-RING       | 1   | 10148-      |
|      | 07000-01007  | O-RING       | 1   | 10001-10147 |
| 16   | 07000-12055  | O-RING       | 1   | 10148-      |
|      | 07000-02055  | O-RING       | 1   | 10001-10147 |
| 17   | 01010-80825  | BOLT         | 2   | 10112-      |
|      | 01010-50825  | BOLT         | 2   | 10001-10111 |
| 18   | 01643-30823  | WASHER       | 2   | 10001-      |
| 19   | 205-03-71230 | HOSE         | 1   | 10001-      |
| 20   | 07280-00910  | CLAMP        | 1   | 10001-      |
| 21   | 205-03-71180 | HOSE         | 1   | 10001-      |
| 22   | 07281-00709  | CLAMP        | 2   | 10001-      |
| 23   | 205-03-71190 | CLAMP        | 1   | 10001-      |
| 24   | 205-03-71251 | BRACKET      | 1   | 10001-      |

**PW210-1 S/N 10001-UP  
RADIATOR GUARD AND PIPING**

| Item | Part No.      | Part Name    | Qty | Serial No.  |
|------|---------------|--------------|-----|-------------|
| 25   | 01010-81225   | BOLT         | 2   | 10112-      |
|      | 01010-51225   | BOLT         | 2   | 10001-10111 |
| 26   | 01643-31232   | WASHER       | 2   | 10001-      |
| 27   | 205-03-71242  | TANK,RESERVE | 1   | 10001-      |
|      | 205-03-71532  | · CAP        | 1   | 10124-      |
|      | □205-03-71531 | · CAP        | 1   | 10001-10123 |
| 28   | 205-03-71260  | BAND         | 1   | 10001-      |
| 29   | 01580-10806   | NUT          | 2   | 10001-      |
| 30   | 01643-30823   | WASHER       | 2   | 10001-      |
| 31   | 206-03-43331  | HOSE         | 2   | 10001-      |
| 32   | 206-03-43340  | CLIP         | 3   | 10001-      |
| 33   | 08052-31711   | CLIP         | 1   | 10102-      |
|      | 08036-01814   | CLIP         | 1   | 10001-10101 |
| 34   | 01010-80816   | BOLT         | 1   | 10112-      |
|      | 01010-50816   | BOLT         | 1   | 10001-10111 |
| 35   | 01643-30823   | WASHER       | 1   | 10001-      |

**PW210-1 S/N 10001-UP**  
**FUEL TANK AND RELATED PARTS**

| <b>Item</b> | <b>Part Name</b>                                 | <b>Qty</b> |
|-------------|--|------------|
| 10          | FUEL TANK AND PIPING                             | 1          |
| 20          | FUEL TANK AND PIPING (WITH VANDALISM PROTECTION) | 1          |
| 30          | WATER SEPARATOR AND PIPING                       | 1          |
| 40          | PRE-FUEL FILTER AND PIPING                       | 1          |
| 50          | WATER SEPARATOR?PRE-FUEL FILTER AND PIPING       | 1          |

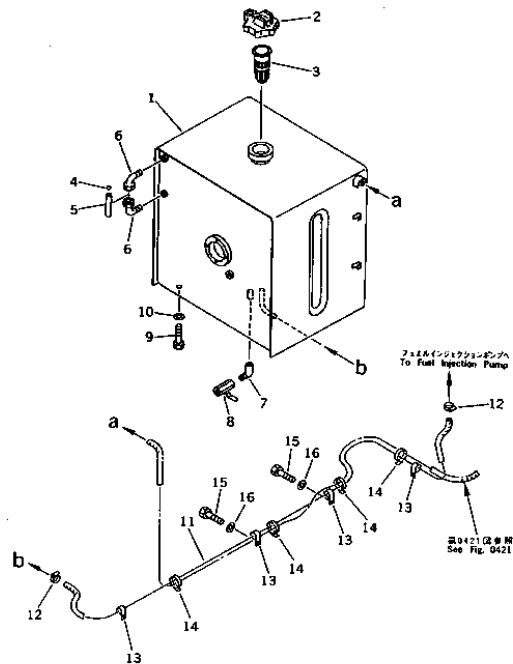


Ref. D0100-01A0

Page 090010

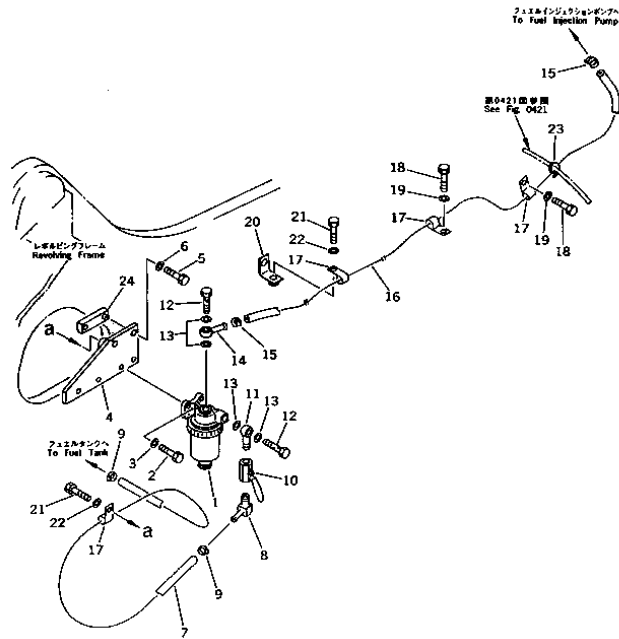
PW210-1 S/N 10001-UP  
FUEL TANK AND PIPING

| Item | Part No.     | Part Name       | Qty | Serial No.  |
|------|--------------|-----------------|-----|-------------|
| 1    | 205-04-00052 | FUEL TANK ASS'Y | 1   | 10001-      |
| 1    | ☆            | · TANK          | 1   | 10001-      |
| 2    | 07050-21200  | · CAP           | 1   | 10001-      |
| 3    | 07050-21202  | · · GASKET      | 1   | 10001-      |
| 4    | 205-04-71140 | · STRAINER      | 1   | 10001-      |
| 5    | 208-04-19160 | · BALL,FLOAT    | 1   | 10001-      |
| 6    | 203-60-31160 | · TUBE          | 1   | 10001-      |
| 7    | 208-04-19130 | · ELBOW         | 2   | 10001-      |
| 8    | 07323-30200  | ELBOW           | 1   | 10001-      |
| 9    | 07700-40240  | VALVE           | 1   | 10001-      |
| 10   | 01010-81635  | BOLT            | 4   | 10112-      |
|      | 01010-51635  | BOLT            | 4   | 10001-10111 |
| 11   | 01643-31645  | WASHER          | 4   | 10001-      |
| 12   | 21K-04-11160 | HOSE,FUEL       | 1   | 10001-      |
| 13   | 07281-00197  | CLAMP           | 2   | 10001-      |
| 14   | 08036-01814  | CLIP            | 4   | 10001-      |
| 15   | 08034-00519  | BAND            | 5   | 10001-      |
| 16   | 01010-81225  | BOLT            | 4   | 10112-      |
|      | 01010-51225  | BOLT            | 4   | 10001-10111 |
| 17   | 01643-31232  | WASHER          | 4   | 10001-      |



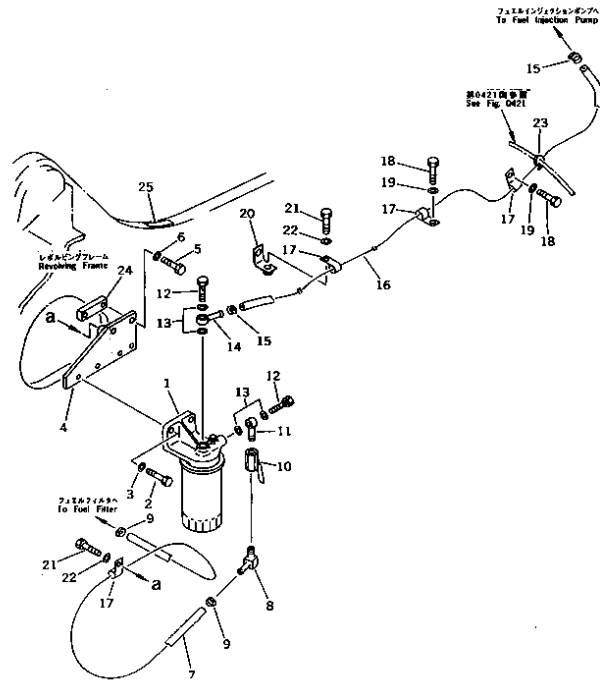
PW210-1 S/N 10001-UP  
**FUEL TANK AND PIPING (WITH VANDALISM PROTECTION)**

| Item | Part No.     | Part Name       | Qty | Serial No.  |
|------|--------------|-----------------|-----|-------------|
|      | 205-04-00043 | FUEL TANK ASS'Y | 1   | 10001-      |
| 1    | ☆            | · TANK          | 1   | 10001-      |
| 2    | 07091-21200  | · CAP           | 1   | 10001-      |
|      | 07050-21202  | · · GASKET      | 1   | 10001-      |
| 3    | 205-04-71140 | · STRAINER      | 1   | 10001-      |
| 4    | 208-04-19160 | · BALL,FLOAT    | 1   | 10001-      |
| 5    | 203-60-31160 | · TUBE          | 1   | 10001-      |
| 6    | 208-04-19130 | · ELBOW         | 2   | 10001-      |
| 7    | 07323-30200  | ELBOW           | 1   | 10001-      |
| 8    | 07700-40240  | VALVE           | 1   | 10001-      |
| 9    | 01010-81635  | BOLT            | 4   | 10112-      |
|      | 01010-51635  | BOLT            | 4   | 10001-10111 |
| 10   | 01643-31645  | WASHER          | 4   | 10001-      |
| 11   | 21K-04-11160 | HOSE,FUEL       | 1   | 10001-      |
| 12   | 07281-00197  | CLAMP           | 2   | 10001-      |
| 13   | 08036-01814  | CLIP            | 4   | 10001-      |
| 14   | 08034-00519  | BAND            | 5   | 10001-      |
| 15   | 01010-81225  | BOLT            | 4   | 10112-      |
|      | 01010-51225  | BOLT            | 4   | 10001-10111 |
| 16   | 01643-31232  | WASHER          | 4   | 10001-      |



**PW210-1 S/N 10001-UP  
WATER SEPARATOR AND PIPING**

| Item | Part No.       | Part Name                        | Qty | Serial No.  |
|------|----------------|----------------------------------|-----|-------------|
| 1    | (600-311-9800) | WATER SEPARATOR A.               | 1   | 10001-      |
| 2    | 01010-80830    | BOLT                             | 2   | 10112-      |
|      | 01010-50830    | BOLT                             | 2   | 10001-10111 |
| 3    | 01643-30823    | WASHER                           | 2   | 10001-      |
| 4    | 20K-04-12110   | BRACKET                          | 1   | 10001-      |
| 5    | 01010-81025    | BOLT                             | 2   | 10112-      |
|      | 01010-51025    | BOLT                             | 2   | 10001-10111 |
| 6    | 01643-31032    | WASHER                           | 2   | 10001-      |
| 7    | 205-04-72120   | HOSE                             | 1   | 10001-      |
| 8    | 205-04-62130   | ELBOW                            | 1   | 10001-      |
| 9    | 07281-00197    | CLAMP                            | 2   | 10001-      |
| 10   | 07700-40240    | VALVE                            | 1   | 10001-      |
| 11   | 205-04-62140   | JOINT                            | 1   | 10001-      |
| 12   | 07206-31014    | BOLT,JOINT                       | 2   | 10001-      |
| 13   | 07005-01412    | GASKET                           | 4   | 10001-      |
| 14   | 205-04-62150   | JOINT                            | 1   | 10001-      |
| 15   | 07281-00197    | CLAMP                            | 2   | 10001-      |
| 16   | 205-04-72130   | HOSE                             | 1   | 10001-      |
| 17   | 21T-68-11320   | CLIP                             | 4   | 10001-      |
| 18   | 01010-81220    | BOLT                             | 2   | 10112-      |
|      | 01010-51220    | BOLT                             | 2   | 10001-10111 |
| 19   | 01643-31232    | WASHER                           | 2   | 10001-      |
| 20   | 20K-04-12120   | BRACKET                          | 1   | 10001-      |
| 21   | 01010-81020    | BOLT                             | 2   | 10112-      |
|      | 01010-51020    | BOLT                             | 2   | 10001-10111 |
| 22   | 01643-31032    | WASHER                           | 2   | 10001-      |
| 23   | 08034-00519    | BAND                             | 1   | 10001-      |
| 24   | 01573-20208    | SEAT,(WELDED TO REVOLVING FRAME) | 1   | 10001-      |

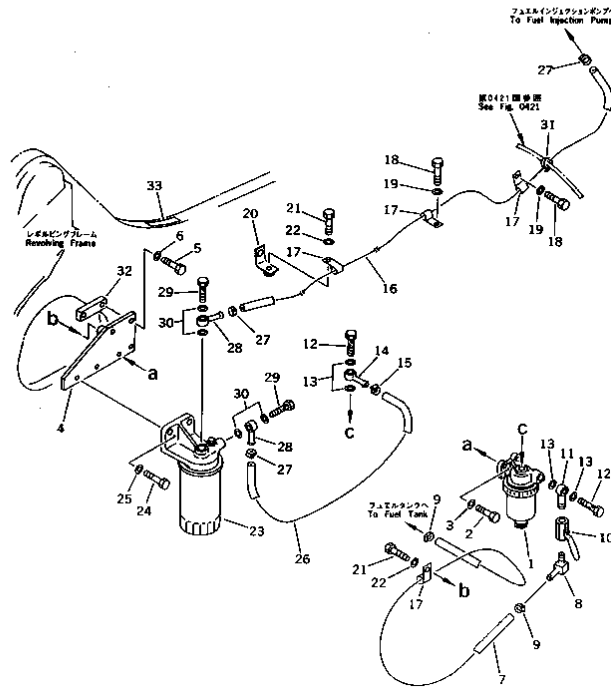


PW210-1 S/N 10001-UP  
PRE-FUEL FILTER AND PIPING

| Item | Part No.       | Part Name                        | Qty | Serial No.  |
|------|----------------|----------------------------------|-----|-------------|
| 1    | (600-311-9101) | FUEL FILTER ASS'Y                | 1   | 10116-      |
|      | (600-311-9100) | FUEL FILTER ASS'Y                | 1   | 10001-10115 |
| 2    | 01010-81035    | BOLT                             | 2   | 10112-      |
|      | 01010-51035    | BOLT                             | 2   | 10001-10111 |
| 3    | 01643-31032    | WASHER                           | 2   | 10001-      |
| 4    | 20K-04-12110   | BRACKET                          | 1   | 10001-      |
| 5    | 01010-81025    | BOLT                             | 2   | 10112-      |
|      | 01010-51025    | BOLT                             | 2   | 10001-10111 |
| 6    | 01643-31032    | WASHER                           | 2   | 10001-      |
| 7    | 205-04-72120   | HOSE                             | 1   | 10001-      |
| 8    | 205-04-62130   | ELBOW                            | 1   | 10001-      |
| 9    | 07281-00197    | CLAMP                            | 2   | 10001-      |
| 10   | 07700-40240    | VALVE                            | 1   | 10001-      |
| 11   | 205-04-62140   | JOINT                            | 1   | 10001-      |
| 12   | 07206-31014    | BOLT,JOINT                       | 2   | 10001-      |
| 13   | 07005-01412    | GASKET                           | 4   | 10001-      |
| 14   | 205-04-62150   | JOINT                            | 1   | 10001-      |
| 15   | 07281-00197    | CLAMP                            | 2   | 10001-      |
| 16   | 205-04-72130   | HOSE                             | 1   | 10001-      |
| 17   | 21T-68-11320   | CLIP                             | 4   | 10001-      |
| 18   | 01010-81220    | BOLT                             | 2   | 10112-      |
|      | 01010-51220    | BOLT                             | 2   | 10001-10111 |
| 19   | 01643-31232    | WASHER                           | 2   | 10001-      |
| 20   | 20K-04-12120   | BRACKET                          | 1   | 10001-      |
| 21   | 01010-81020    | BOLT                             | 2   | 10112-      |
|      | 01010-51020    | BOLT                             | 2   | 10001-10111 |
| 22   | 01643-31032    | WASHER                           | 2   | 10001-      |
| 23   | 08034-00519    | BAND                             | 1   | 10001-      |
| 24   | 01573-20208    | SEAT,(WELDED TO REVOLVING FRAME) | 1   | 10001-      |

**PW210-1 S/N 10001-UP**  
**PRE-FUEL FILTER AND PIPING**

| Item | Part No.     | Part Name                   | Qty | Serial No. |
|------|--------------|-----------------------------|-----|------------|
| 25   | 6712-81-8620 | PLATE, CAUTION,(ENGLISH)    | 1   | 10001-     |
|      | 6712-81-8630 | PLATE, CAUTION,(SPANISH)    | 1   | 10001-     |
|      | 6712-81-8640 | PLATE, CAUTION,(GERMAN)     | 1   | 10001-     |
|      | 6712-81-8650 | PLATE, CAUTION,(FRENCH)     | 1   | 10001-     |
|      | 6712-81-8660 | PLATE, CAUTION,(ARABIC)     | 1   | 10001-     |
|      | 6712-81-8670 | PLATE, CAUTION,(RUSSIAN)    | 1   | 10001-     |
|      | 6712-81-8680 | PLATE, CAUTION,(RUSSIAN)    | 1   | 10001-     |
|      | 6712-81-8690 | PLATE, CAUTION,(CHINESE)    | 1   | 10001-     |
|      | 6712-81-8710 | PLATE, CAUTION,(VIETNAMESE) | 1   | 10001-     |
|      | 6712-81-8720 | PLATE, CAUTION,(INDONESIAN) | 1   | 10001-     |
|      | 6712-81-8730 | PLATE, CAUTION,(CZECHO)     | 1   | 10001-     |
|      | 6712-81-8740 | PLATE, CAUTION,(PORTUGUESE) | 1   | 10001-     |
|      | 6712-81-8750 | PLATE, CAUTION,(ITALIAN)    | 1   | 10001-     |



PW210-1 S/N 10001-UP  
**WATER SEPARATOR?PRE-FUEL FILTER AND PIPING**

| Item | Part No.       | Part Name          | Qty | Serial No.  |
|------|----------------|--------------------|-----|-------------|
| 1    | (600-311-9800) | WATER SEPARATOR A. | 1   | 10001-      |
| 2    | 01010-80830    | BOLT               | 2   | 10112-      |
|      | 01010-50830    | BOLT               | 2   | 10001-10111 |
| 3    | 01643-30823    | WASHER             | 2   | 10001-      |
| 4    | 20K-04-12110   | BRACKET            | 1   | 10001-      |
| 5    | 01010-81025    | BOLT               | 2   | 10112-      |
|      | 01010-51025    | BOLT               | 2   | 10001-10111 |
| 6    | 01643-31032    | WASHER             | 2   | 10001-      |
| 7    | 205-04-72120   | HOSE               | 1   | 10001-      |
| 8    | 205-04-62130   | ELBOW              | 1   | 10001-      |
| 9    | 07281-00197    | CLAMP              | 2   | 10001-      |
| 10   | 07700-40240    | VALVE              | 1   | 10001-      |
| 11   | 205-04-62140   | JOINT              | 1   | 10001-      |
| 12   | 07206-31014    | BOLT,JOINT         | 2   | 10001-      |
| 13   | 07005-01412    | GASKET             | 4   | 10001-      |
| 14   | 205-04-62150   | JOINT              | 1   | 10001-      |
| 15   | 07281-00197    | CLAMP              | 1   | 10001-      |
| 16   | 205-04-72130   | HOSE               | 1   | 10001-      |
| 17   | 21T-68-11320   | CLIP               | 4   | 10001-      |
| 18   | 01010-81220    | BOLT               | 2   | 10112-      |
|      | 01010-51220    | BOLT               | 2   | 10001-10111 |
| 19   | 01643-31232    | WASHER             | 2   | 10001-      |
| 20   | 20K-04-12120   | BRACKET            | 1   | 10001-      |
| 21   | 01010-81020    | BOLT               | 2   | 10112-      |
|      | 01010-51020    | BOLT               | 2   | 10001-10111 |
| 22   | 01643-31032    | WASHER             | 2   | 10001-      |
| 23   | (600-311-9101) | FUEL FILTER ASS'Y  | 1   | 10116-      |
|      | (600-311-9100) | FUEL FILTER ASS'Y  | 1   | 10001-10115 |
| 24   | 01010-81035    | BOLT               | 2   | 10112-      |



**Suggest:**

**For more complete manuals. Please go to the home page.**

**<https://www.ebooklibonline.com>**

**If the above button click is invalid. Please download this document first, and then click the above link to download the complete manual.**

**Thank you so much for reading**

**PW210-1 S/N 10001-UP**  
**WATER SEPARATOR?PRE-FUEL FILTER AND PIPING**

| Item | Part No.     | Part Name                        | Qty | Serial No.  |
|------|--------------|----------------------------------|-----|-------------|
| 24   | 01010-51035  | BOLT                             | 2   | 10001-10111 |
| 25   | 01643-31032  | WASHER                           | 2   | 10001-      |
| 26   | 205-04-81111 | HOSE                             | 1   | 10001-      |
| 27   | 07281-00197  | CLAMP                            | 3   | 10001-      |
| 28   | 205-04-62150 | JOINT                            | 2   | 10001-      |
| 29   | 07206-31014  | BOLT,JOINT                       | 2   | 10001-      |
| 30   | 07005-01412  | GASKET                           | 4   | 10001-      |
| 31   | 08034-00519  | BAND                             | 1   | 10001-      |
| 32   | 01573-20208  | SEAT,(WELDED TO REVOLVING FRAME) | 1   | 10001-      |
| 33   | 6712-81-8620 | PLATE, CAUTION,(ENGLISH)         | 1   | 10001-      |
|      | 6712-81-8630 | PLATE, CAUTION,(SPANISH)         | 1   | 10001-      |
|      | 6712-81-8640 | PLATE, CAUTION,(GERMAN)          | 1   | 10001-      |
|      | 6712-81-8650 | PLATE, CAUTION,(FRENCH)          | 1   | 10001-      |
|      | 6712-81-8660 | PLATE, CAUTION,(ARABIC)          | 1   | 10001-      |
|      | 6712-81-8670 | PLATE, CAUTION,(RUSSIAN)         | 1   | 10001-      |
|      | 6712-81-8680 | PLATE, CAUTION,(RUSSIAN)         | 1   | 10001-      |
|      | 6712-81-8690 | PLATE, CAUTION,(CHINESE)         | 1   | 10001-      |
|      | 6712-81-8710 | PLATE, CAUTION,(VIETNAMESE)      | 1   | 10001-      |
|      | 6712-81-8720 | PLATE, CAUTION,(INDONESIAN)      | 1   | 10001-      |
|      | 6712-81-8730 | PLATE, CAUTION,(CZECHO)          | 1   | 10001-      |
|      | 6712-81-8740 | PLATE, CAUTION,(PORTUGUESE)      | 1   | 10001-      |
|      | 6712-81-8750 | PLATE, CAUTION,(ITALIAN)         | 1   | 10001-      |

**PW210-1 S/N 10001-UP  
ELECTRICAL SYSTEM**

---

| Item | Part Name                                | Qty |
|------|--|-----|
| 10   | BATTERY                                  | 1   |
| 20   | ELECTRICAL SYSTEM (RELATED PARTS)        | 1   |
| 30   | ELECTRICAL SYSTEM (WIRING)(#10001-10101) | 1   |
| 40   | ELECTRICAL SYSTEM (WIRING)(#10102-)      | 1   |
| 50   | ELECTRICAL SYSTEM (WIRING) (REAR)        | 1   |

**<https://www.ebooklibonline.com>**

Hello dear friend!

Thank you very much for reading.

Enter the link into your browser.

The full manual is available for immediate download.

**<https://www.ebooklibonline.com>**