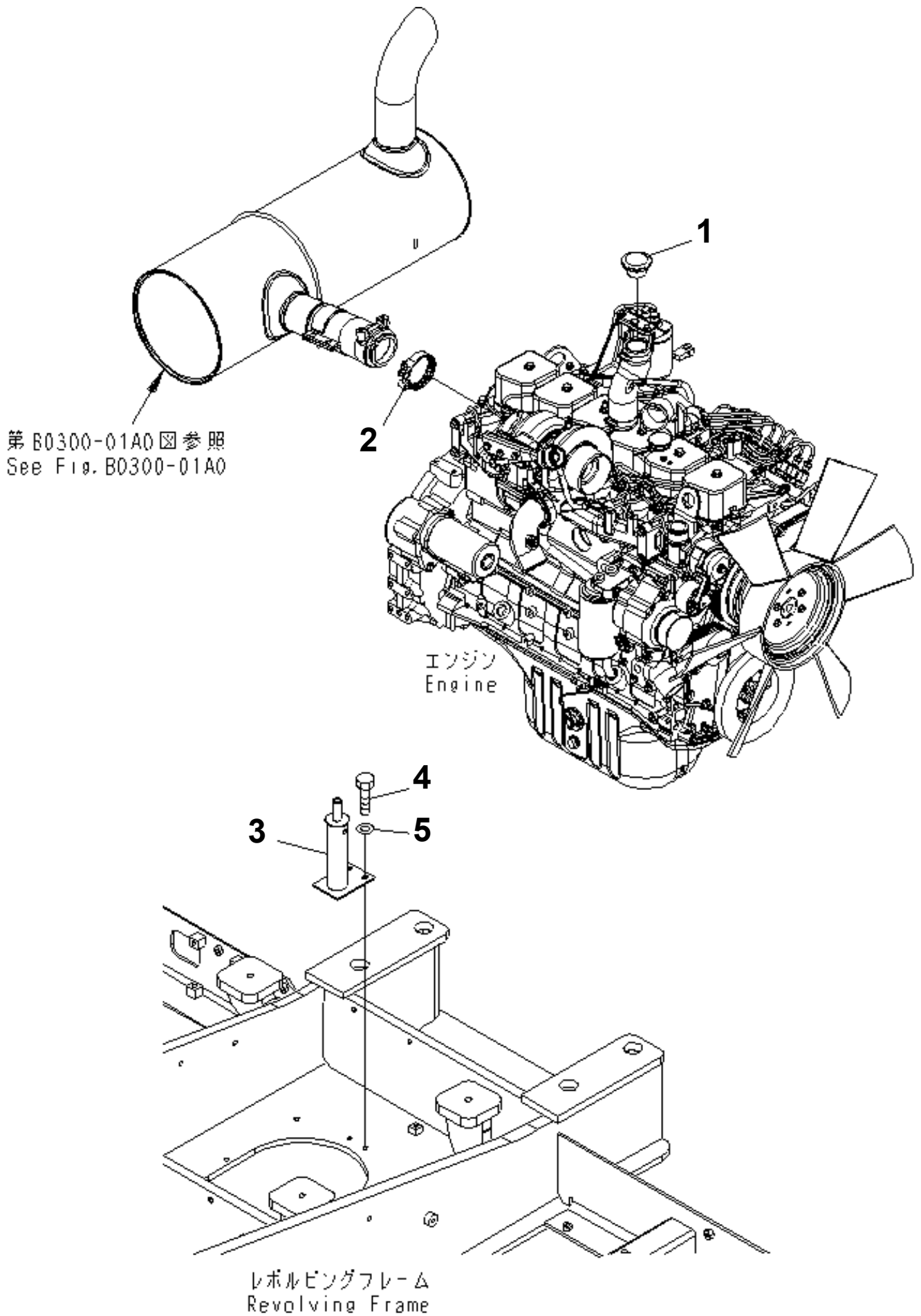


**PW200-7K-KA S/N K40001-UP**  
**KOMATSU PW200-7K-KA S/N K40001-UP**

Item	Description	Book	Page
	SAA6D102E-2-PW ENGINE S/N 21494941-UP	saa6d1au	
B0	ENGINE RELATED PARTS		030000
C0	COOLING SYSTEM		060000
D0	FUEL TANK AND RELATED PARTS		090000
E0	ELECTRICAL SYSTEM		120000
F0	POWER TRAIN		150000
H0	HYDRAULIC SYSTEM		180000
J0	MAIN/REVOLVING FRAME AND RELATED PARTS		210000
K0	OPERATOR'S COMPARTMENT AND CONTROL SYSTEM		240000
M0	GUARD		270000
N0	SWING CIRCLE AND RELATED PARTS		300000
P0	TRAVEL AND LOWER PIPING		330000
S0	SUSPENTION AND WHEEL		360000
T0	WORK EQUIPMENT		390000
U0	MARKS AND PLATES		420000
V0	ACCESSORY		450000
W0	MISCELLANEOUS		480000
X0	SPECIAL PRODUCT		510000
Y0	SERVICE KIT AND COMPONENT PARTS		540000

**PW200-7K-KA S/N K40001-UP  
ENGINE RELATED PARTS**

Item	Description	Qty	Page
10	ENGINE RELATED PARTS	1	030010
20	ENGINE MOUNTING	1	030020
30	AIR CLEANER AND CONNECTION	1	030030
40	MUFFLER	1	030040
50	FUEL CONTROL	1	030050
60	WIRING (ENGINE HARNESS)	1	030060
70	DAMPER	1	030070
80	TURBO COVER	1	030080



**<https://www.ebooklibonline.com>**

Hello dear friend!

Thank you very much for reading.

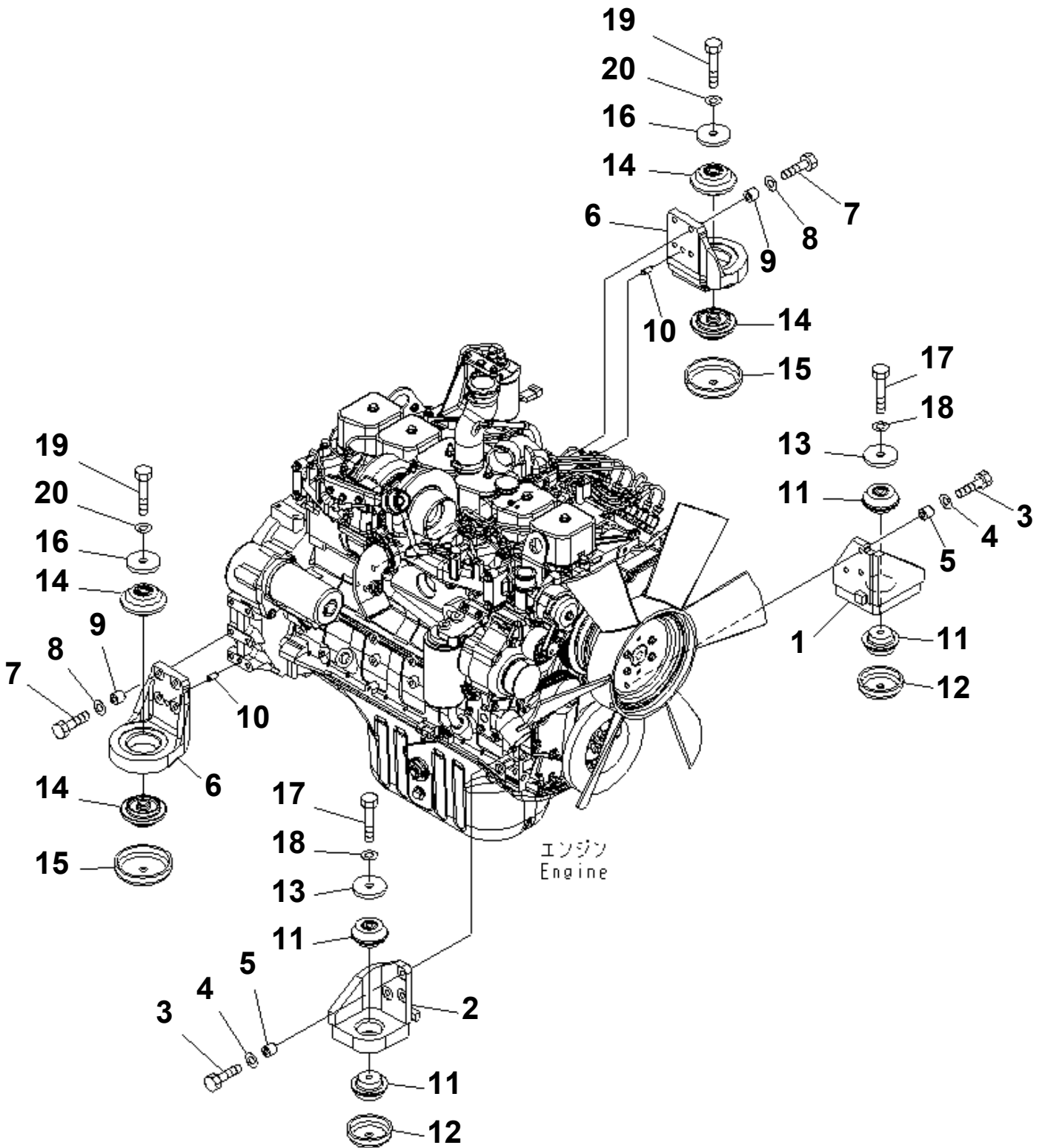
Enter the link into your browser.

The full manual is available for immediate download.

**<https://www.ebooklibonline.com>**

**PW200-7K-KA S/N K40001-UP  
ENGINE RELATED PARTS**

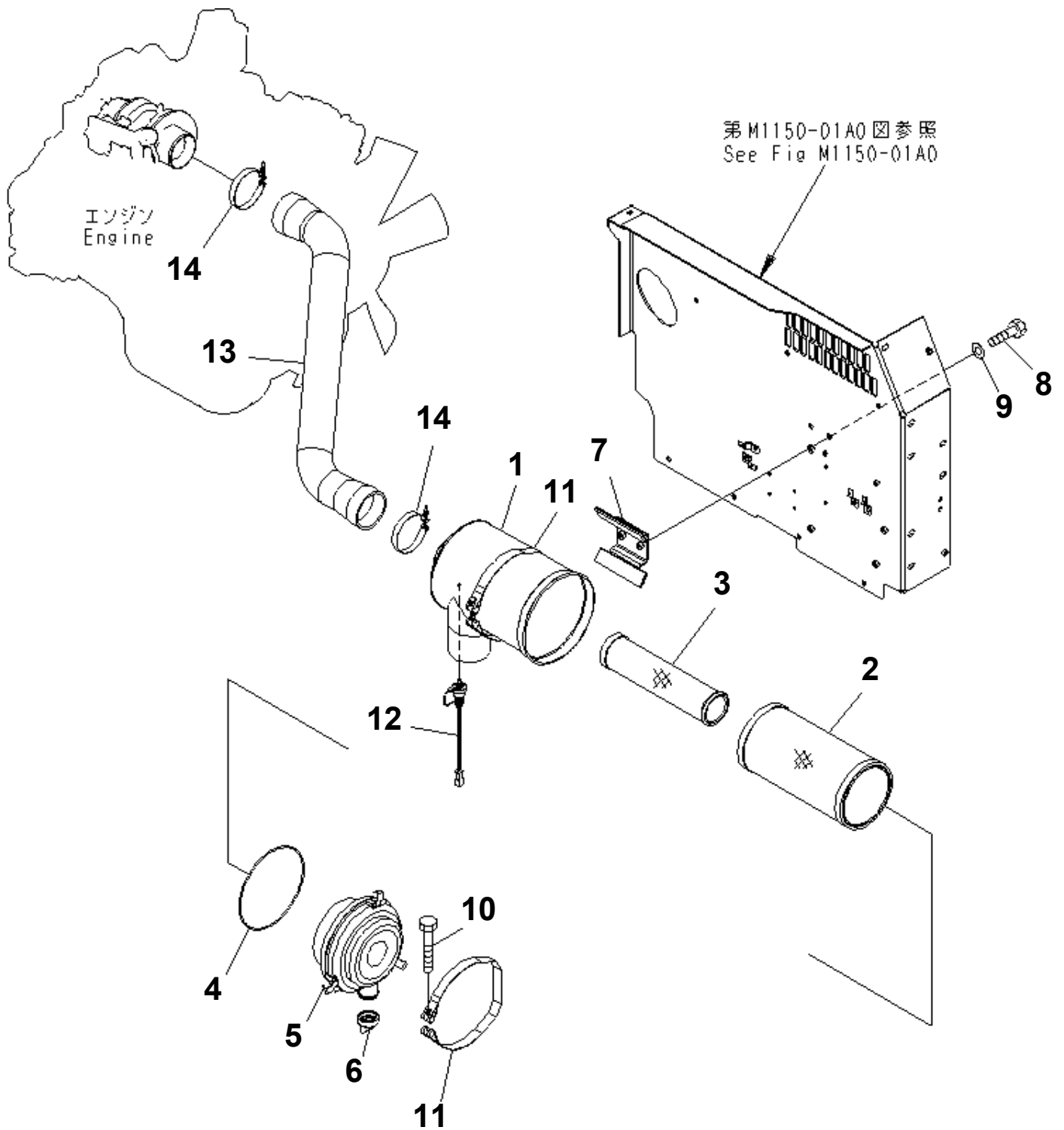
Item	Part No.	Description	Qty	Options
1	6130-12-8610	CAP	1	SN:K40001--
2	20Y-01-K1270	CLAMP	1	SN:K40001--
3	20K-01-31630	VENT ASS'Y	1	SN:K40001--
4	01010-81220	BOLT	2	SN:K40041--
	01010-81225	BOLT	2	SN:K40001--K40040
5	01643-31232	WASHER	2	SN:K40001--



0 0 0 0 2 4 4 2

**PW200-7K-KA S/N K40001-UP  
ENGINE MOUNTING**

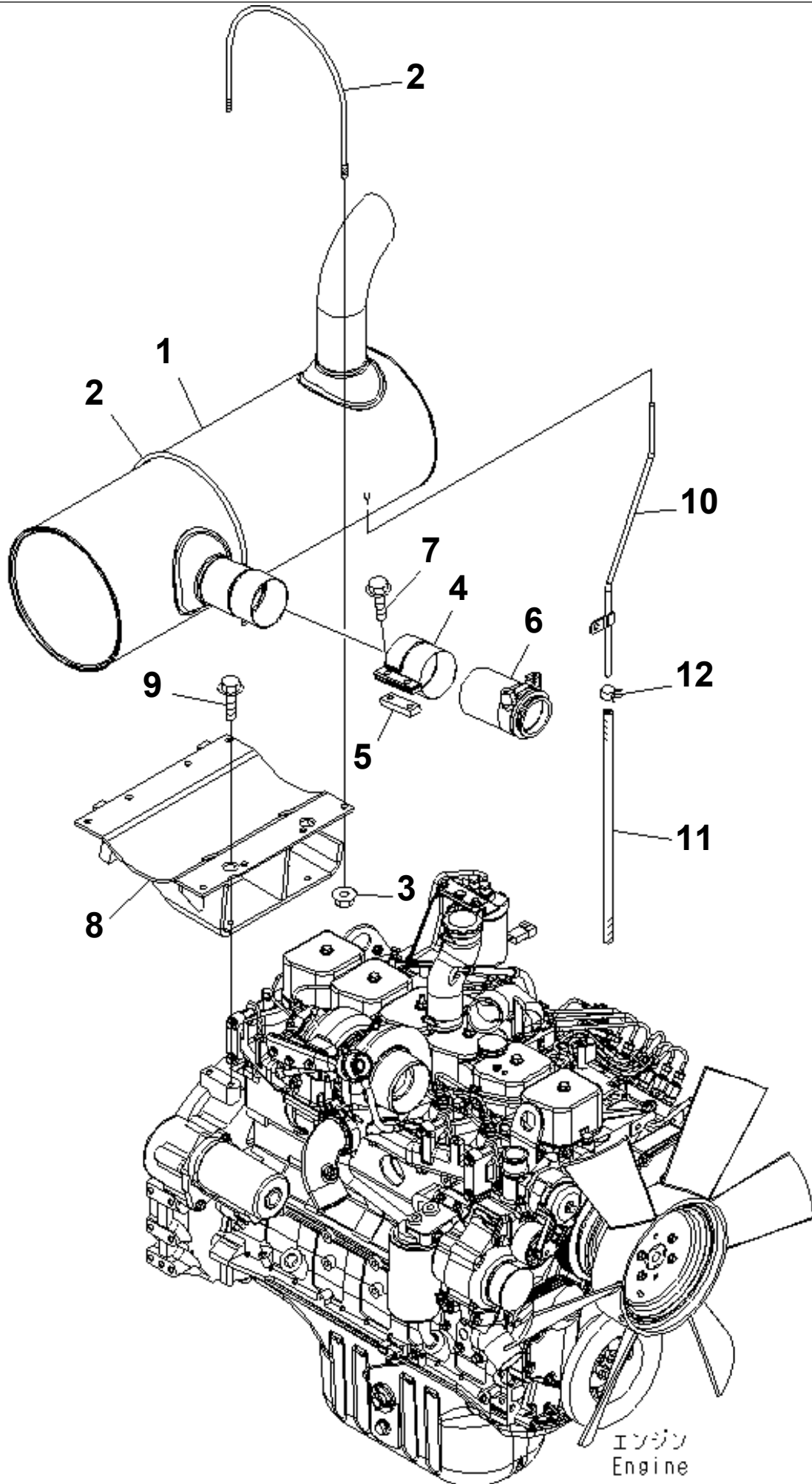
Item	Part No.	Description	Qty	Options
1	20Y-01-K1741	BRACKET,L.H.	1	SN:K40001--
2	20Y-01-K1750	BRACKET,R.H.	1	SN:K40001--
3	01010-81265	BOLT	6	SN:K40001--
4	01643-31232	WASHER	6	SN:K40001--
5	6131-22-3750	BOSS	6	SN:K40001--
6	20Y-01-22121	BRACKET	2	SN:K40001--
7	01010-81265	BOLT	8	SN:K40001--
8	01643-31232	WASHER	8	SN:K40001--
9	6131-22-3750	BOSS	8	SN:K40001--
10	04020-01228	PIN	2	SN:K40001--
11	20Y-01-12210	CUSHION	4	SN:K40001--
12	20Y-01-12141	STOPPER	2	SN:K40001--
13	20Y-01-11141	WASHER	2	SN:K40001--
14	20Y-01-12222	CUSHION	4	SN:K40001--
15	20Y-01-12161	STOPPER	2	SN:K40001--
16	20Y-01-11141	WASHER	2	SN:K40001--
17	01011-B1640	BOLT	2	SN:K40001--
18	01643-31645	WASHER	2	SN:K40001--
19	01011-B1640	BOLT	2	SN:K40001--
20	01643-31645	WASHER	2	SN:K40001--



0 0 0 0 2 4 4 3

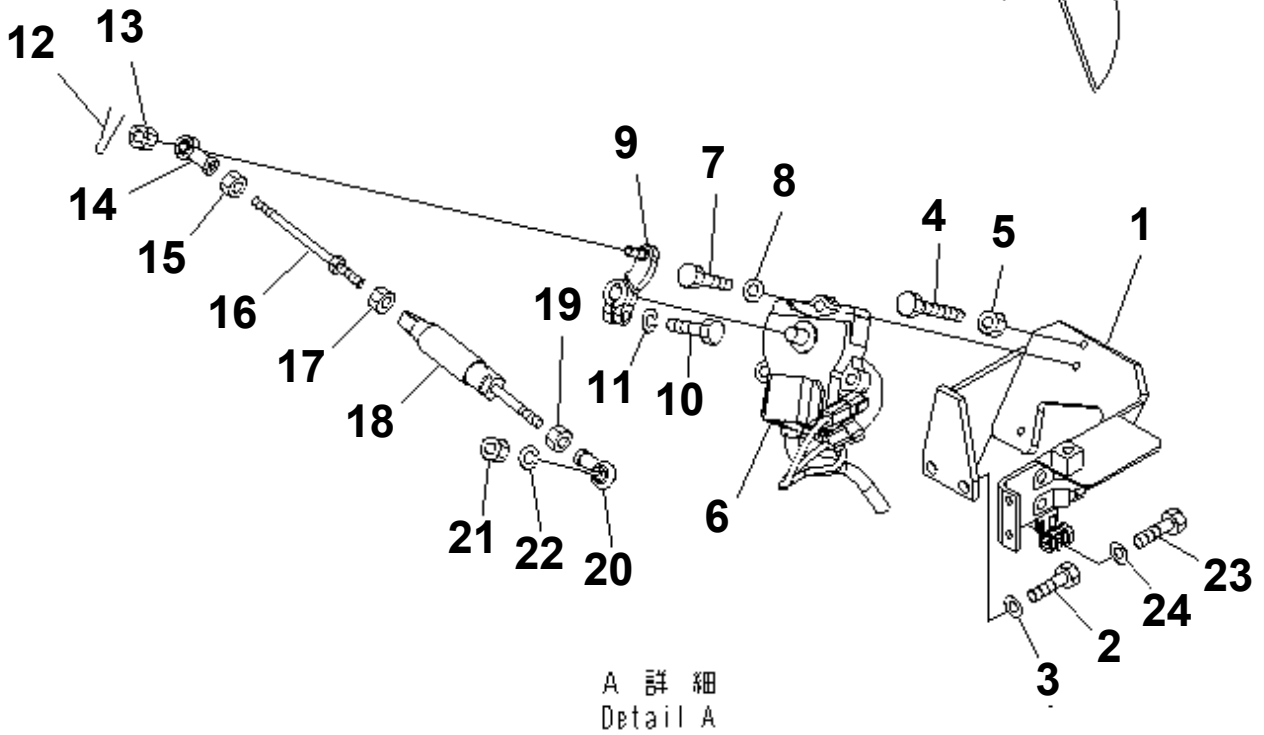
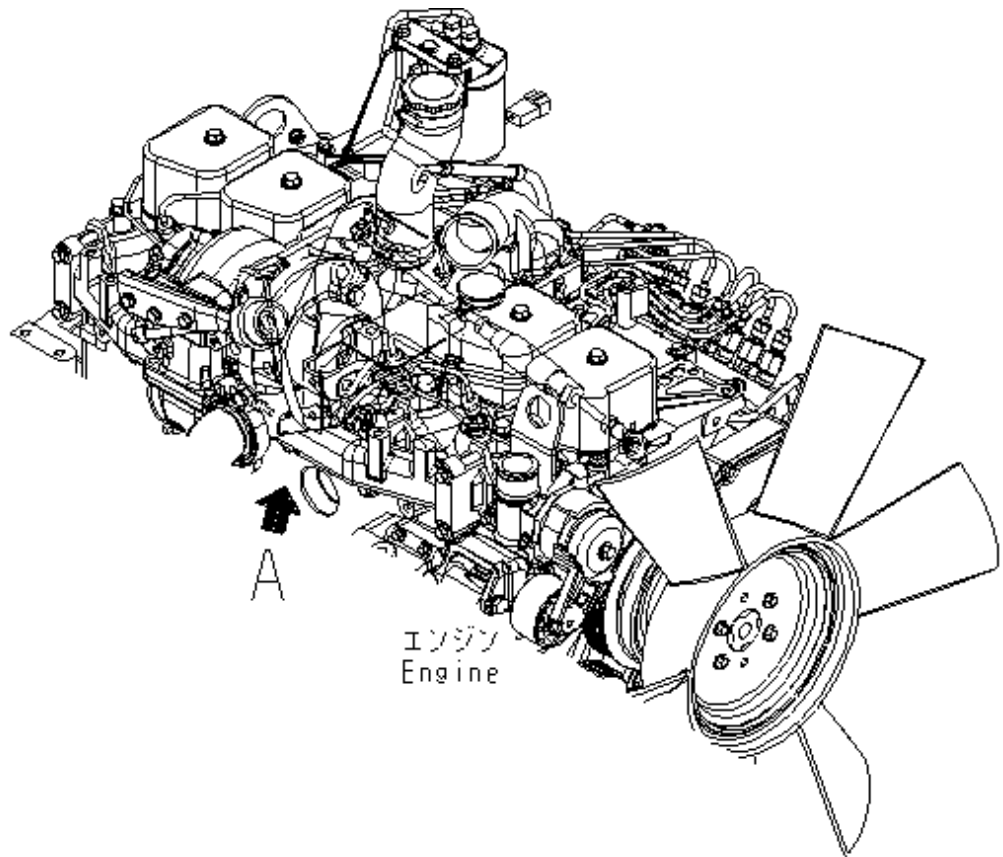
**PW200-7K-KA S/N K40001-UP**  
**AIR CLEANER AND CONNECTION**

Item	Part No.	Description	Qty	Options
	6738-81-7100	AIR CLEANER	1	SN:K40001--
1	6738-81-7110	· BODY	1	SN:K40001--
	600-185-3100	· ELEMENT ASS'Y	1	SN:K40001--
2	☆	· · ELEMENT, OUTER	1	SN:K40001--
3	☆	· · ELEMENT, INNER	1	SN:K40001--
4	600-184-1370	· · O-RING	1	SN:K40001--
	600-184-1310	· COVER ASS'Y	1	SN:K40001--
5	600-184-2810	· · PLATE	1	SN:K40001--
6	600-184-1350	· VALVE	1	SN:K40001--
7	20K-01-31530	BRACKET	1	SN:K40001--
8	01010-81230	BOLT	2	SN:K40001--
9	01643-31232	WASHER	2	SN:K40001--
10	6643-11-4641	BOLT	2	SN:K40001--
11	6131-11-4520	BAND ASS'Y	2	SN:K40001--
12	7861-93-1420	SENSOR	1	SN:K40001--
13	20K-01-31540	HOSE	1	SN:K40001--
14	20Y-01-K1410	CLAMP	2	SN:K40001--



**PW200-7K-KA S/N K40001-UP  
MUFFLER**

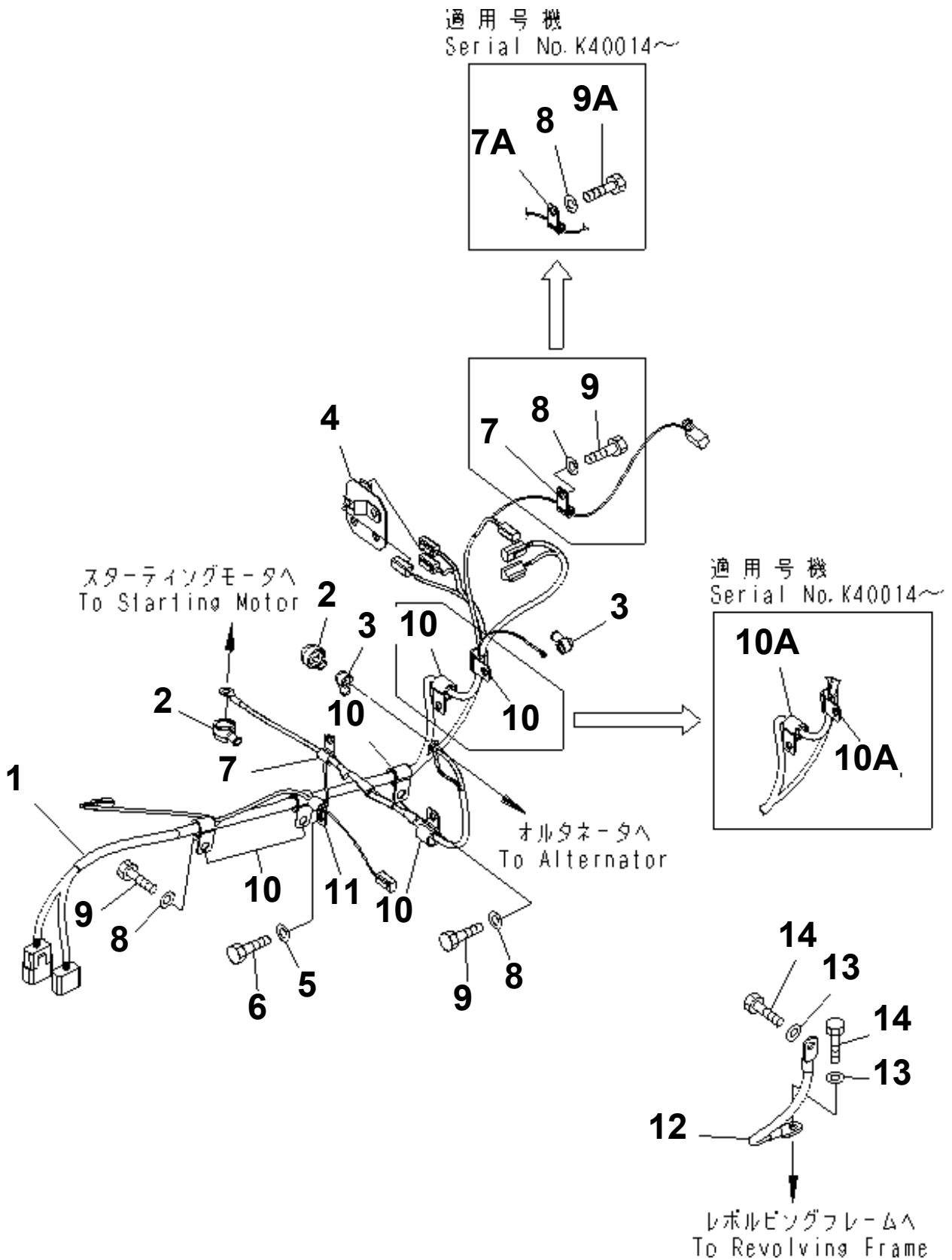
Item	Part No.	Description	Qty	Options
1	20K-01-31610	MUFFLER	1	SN:K40001--
2	6222-11-5940	U-BOLT	2	SN:K40001--
3	01594-01008	NUT	4	SN:K40001--
4	6210-11-5232	CLAMP	1	SN:K40001--
5	6206-11-5850	PLATE	1	SN:K40001--
6	6735-11-5611	TUBE	1	SN:K40001--
7	01435-01235	BOLT	2	SN:K40001--
8	20K-01-31512	BRACKET	1	SN:K40001--
9	01435-01025	BOLT	4	SN:K40001--
10	20K-01-31520	TUBE	1	SN:K40001--
11	07260-20950	HOSE	1	SN:K40001--
12	07285-00155	CLIP	1	SN:K40001--



0 0 0 0 2 4 4 5

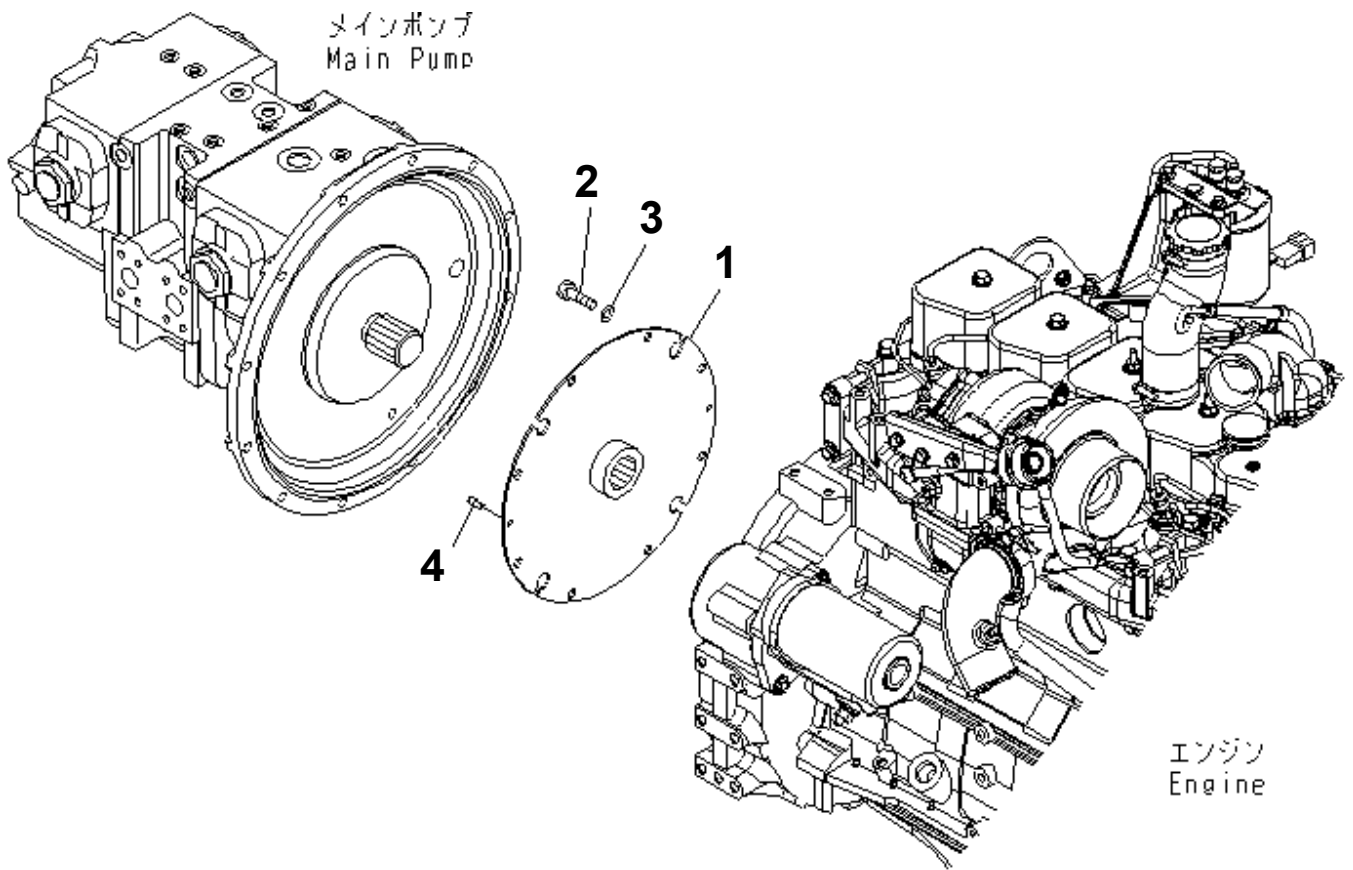
**PW200-7K-KA S/N K40001-UP  
FUEL CONTROL**

Item	Part No.	Description	Qty	Options
1	20Y-43-31310	BRACKET	1	SN:K40001--
2	01010-81230	BOLT	2	SN:K40001--
3	01643-31232	WASHER	2	SN:K40001--
4	01016-51075	BOLT	1	SN:K40001--
5	01580-11008	NUT	1	SN:K40001--
6	7834-41-2001	MOTOR ASS'Y	1	SN:K40069--
	7834-41-2000	MOTOR ASS'Y	1	SN:K40001--K40068
7	01010-81040	BOLT	3	SN:K40001--
8	01643-31032	WASHER	3	SN:K40001--
9	20Y-43-12143	LEVER	1	SN:K40001--
10	01010-81030	BOLT	1	SN:K40001--
11	01602-21030	WASHER	1	SN:K40001--
12	04050-12018	PIN	1	SN:K40001--
13	01593-31008	NUT	1	SN:K40001--
14	04250-91056	END,L.H. THREAD	1	SN:K40001--
15	01508-41006	NUT,L.H. THREAD	1	SN:K40001--
16	04248-31018	ROD	1	SN:K40001--
17	01582-11008	NUT	1	SN:K40001--
18	20Y-43-23441	SPRING ASS'Y	1	SN:K40001--
19	01582-11008	NUT	1	SN:K40001--
20	20Y-43-12180	JOINT	1	SN:K40001--
21	01580-10605	NUT	1	SN:K40001--
22	01602-20619	WASHER	1	SN:K40001--
23	01010-80820	BOLT	2	SN:K40001--
24	01643-30823	WASHER	2	SN:K40001--



**PW200-7K-KA S/N K40001-UP  
WIRING (ENGINE HARNESS)**

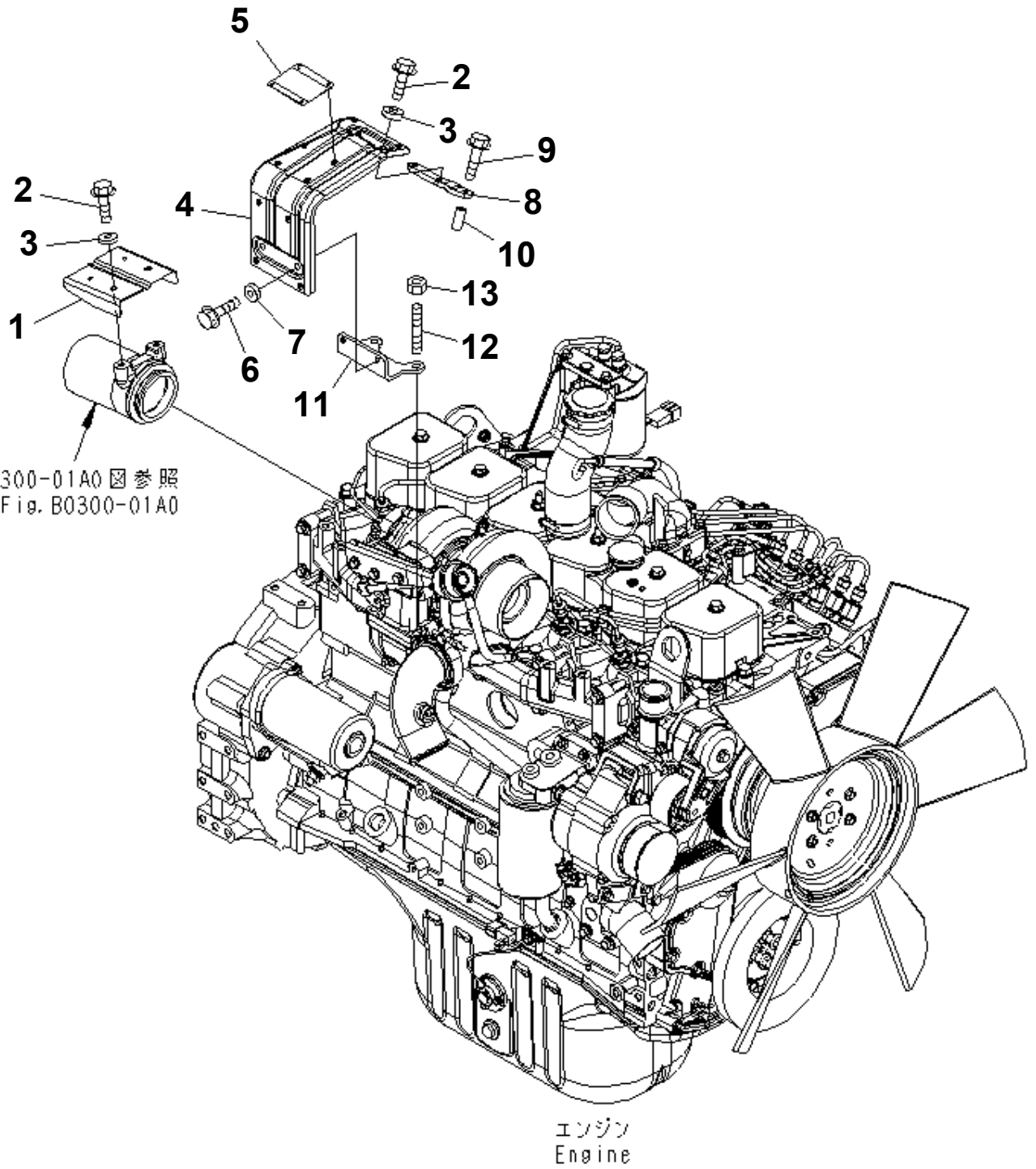
Item	Part No.	Description	Qty	Options
1	20K-06-31183	WIRING HARNESS	1	SN:K40001--
2	08038-10525	CAP	2	SN:K40001--
3	08038-10519	CAP	2	SN:K40001--
4	20K-06-32181	BRACKET	1	SN:K40113--
	20K-06-32180	BRACKET	1	SN:K40001--K40112
5	01643-30823	WASHER	2	SN:K40001--
6	01010-80820	BOLT	2	SN:K40001--
7	08036-91014	CLIP	1	SN:K40014--
	08036-91014	CLIP	2	SN:K40001--K40013
7A	08036-01014	CLIP	1	SN:K40014--
8	01643-31232	WASHER	7	SN:K40001--
9	01010-81220	BOLT	6	SN:K40014--
	01010-81220	BOLT	7	SN:K40001--K40013
9A	01050-51220	BOLT	1	SN:K40014--
10	08036-91814	CLIP	4	SN:K40014--
	08036-91814	CLIP	6	SN:K40001--K40013
10A	08036-01814	CLIP	2	SN:K40014--
11	04434-51210	CLIP	1	SN:K40034--
	08036-91210	CLIP	1	SN:K40001--K40033
12	08028-43045	CABLE	1	SN:K40001--
13	01643-31032	WASHER	2	SN:K40001--
14	01010-81016	BOLT	2	SN:K40001--



0 0 0 0 3 2 0 3

**PW200-7K-KA S/N K40001-UP  
DAMPER**

Item	Part No.	Description	Qty	Options
1	22U-01-21310	DISK DAMPER	1	SN:K40001--
2	01010-81020	BOLT	8	SN:K40001--
3	01643-31032	WASHER	8	SN:K40001--
4	203-01-51120	PIN	2	SN:K40001--



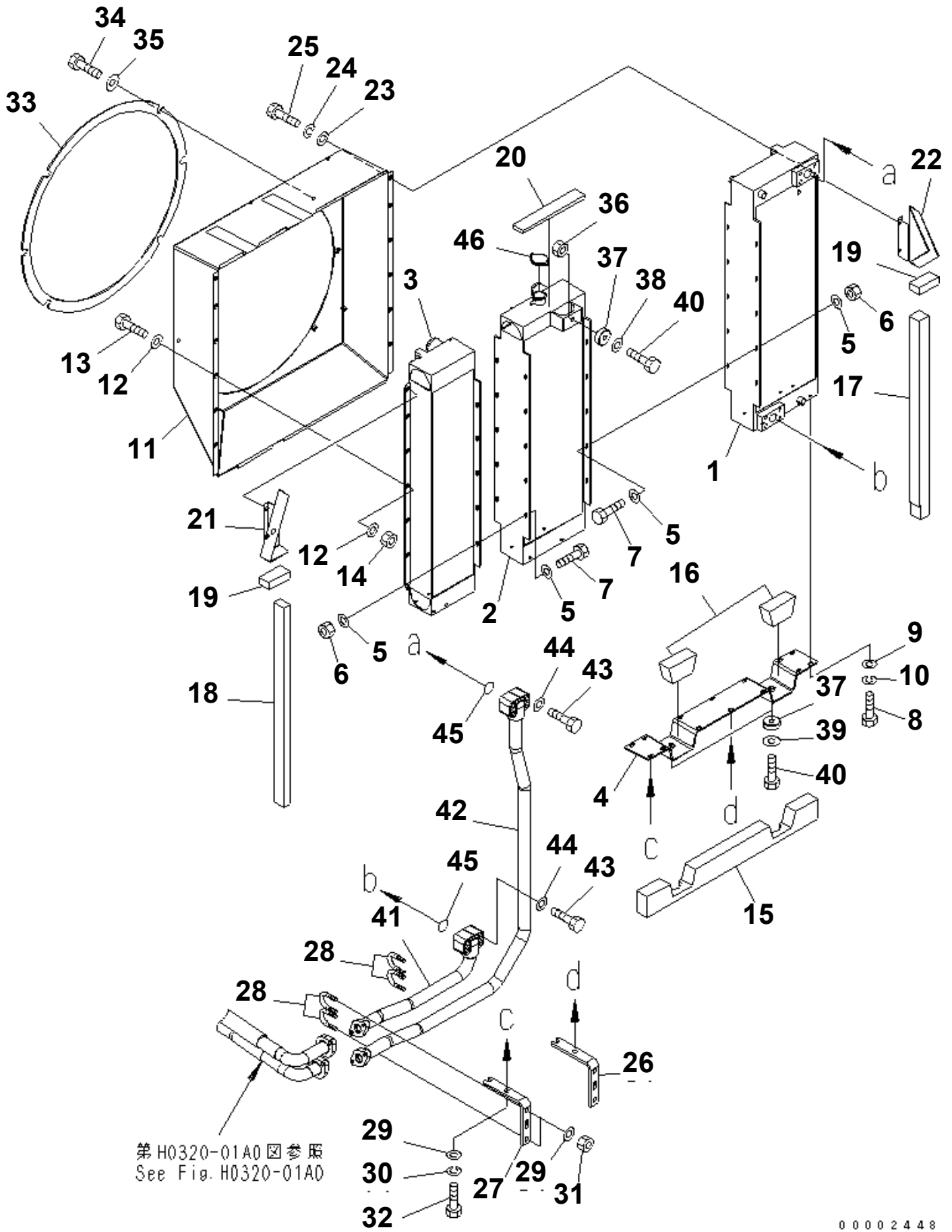
0 0 0 0 2 4 4 7

**PW200-7K-KA S/N K40001-UP  
TURBO COVER**

Item	Part No.	Description	Qty	Options
1	6732-81-8450	COVER	1	SN:K40001--
2	01435-00816	BOLT	4	SN:K40001--
3	6201-81-6560	SPACER	4	SN:K40001--
4	6732-81-8411	COVER	1	SN:K40001--
5	09817-A0753	· PLATE?SAFETY	1	SN:K40001--
6	01435-00816	BOLT	2	SN:K40001--
7	6201-81-6560	SPACER	2	SN:K40001--
8	6738-81-8440	BRACKET	1	SN:K40001--
9	01435-00845	BOLT	1	SN:K40001--
10	6732-81-8440	SPACER	1	SN:K40001--
11	6738-81-8450	BRACKET	1	SN:K40001--
12	01140-61035	STUD	2	SN:K40001--
13	6142-12-5850	NUT	2	SN:K40001--

**PW200-7K-KA S/N K40001-UP  
COOLING SYSTEM**

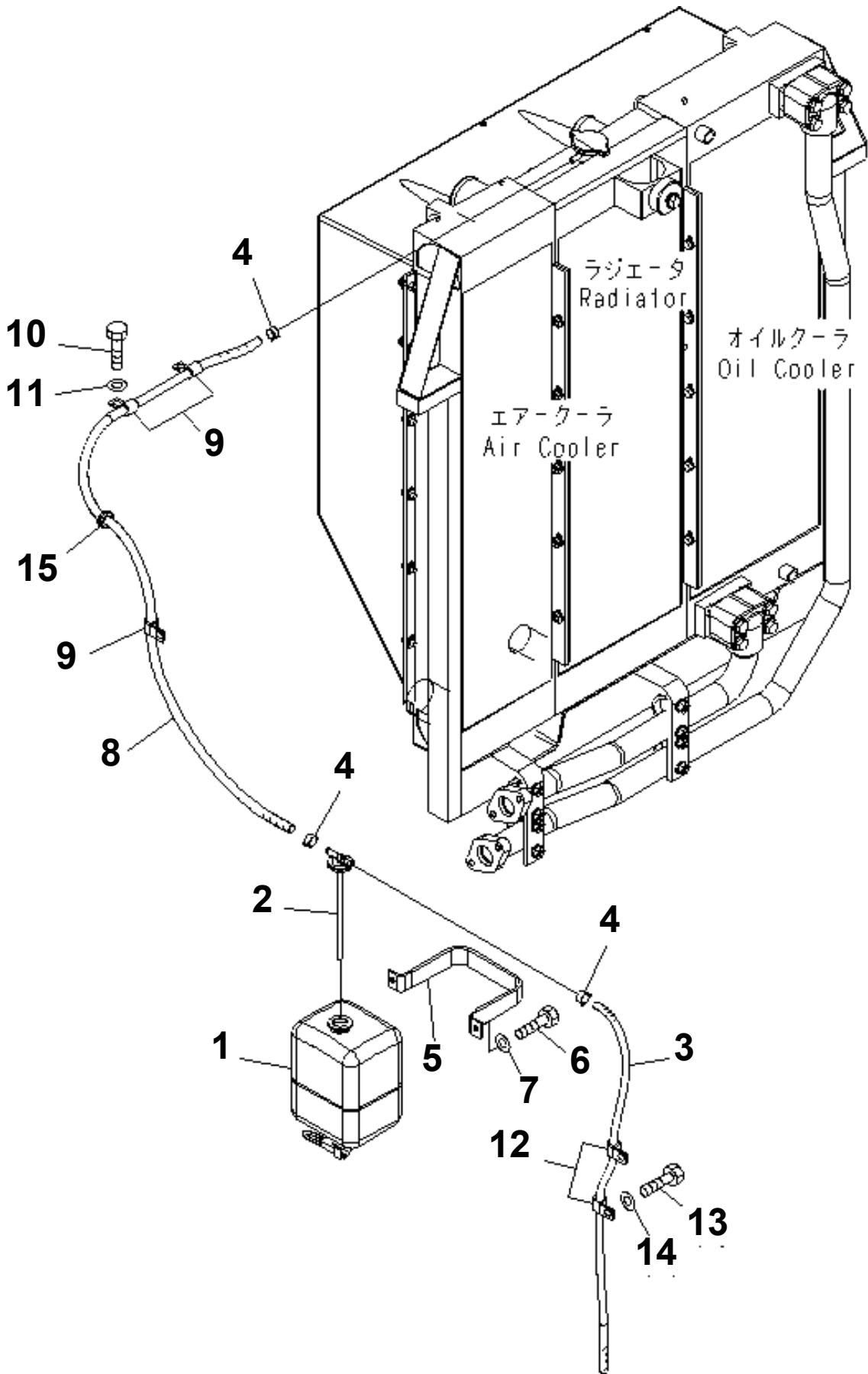
Item	Description	Qty	Page
10	COOLING (OIL COOLER?RADIATOR AND CHARGE OIL COOLER)	1	060010
20	COOLING (SUB TANK)	1	060020
30	COOLING (RADIATOR AND CHARGE OIL COOLER HOSE)	1	060030
40	COOLING (FAN)	1	060040
50	FAN GUARD	1	060050



0 0 0 0 2 4 4 8

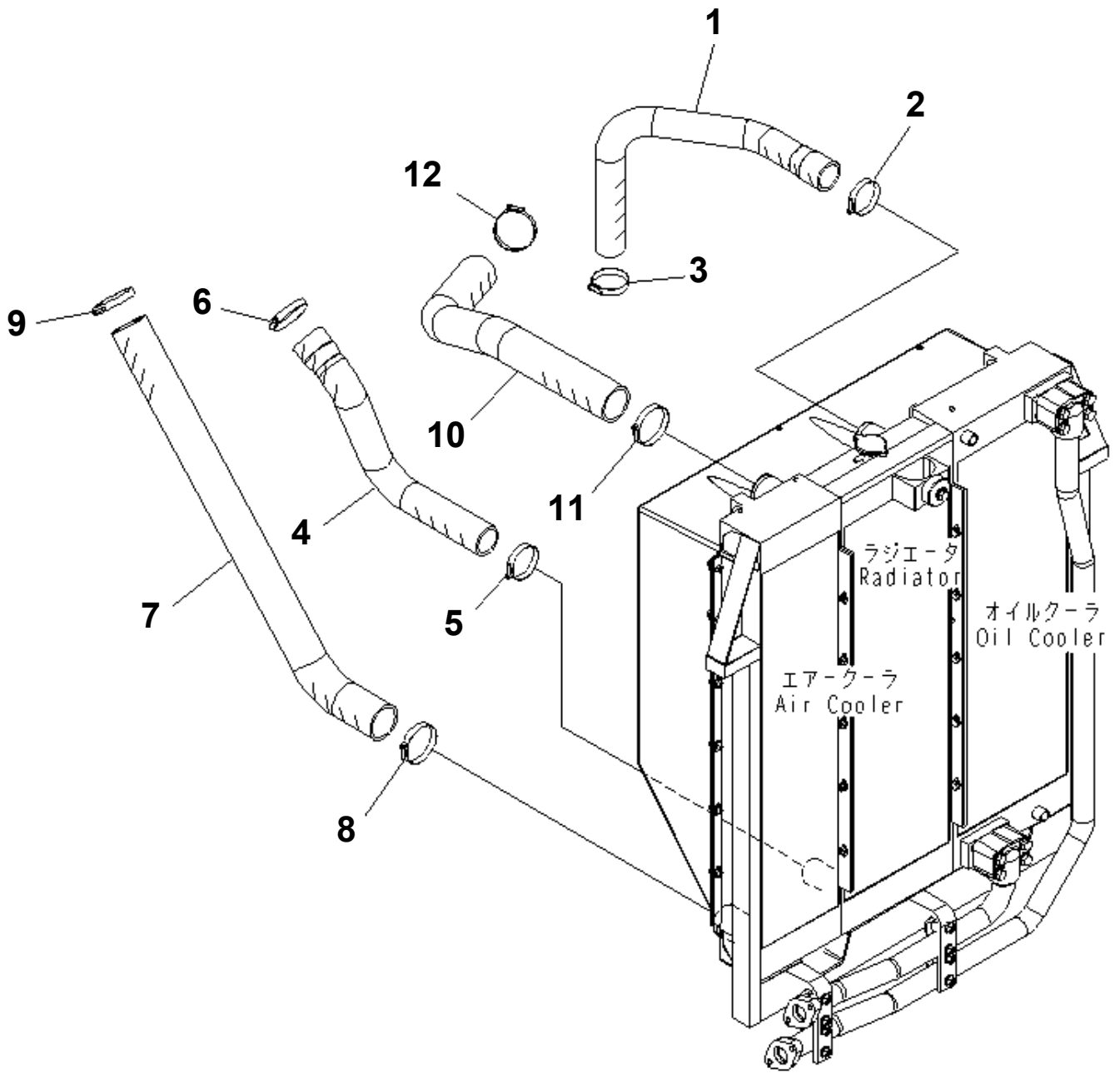
## COOLING (OIL COOLER?RADIATOR AND CHARGE OIL COOLER)

Item	Part No.	Description	Qty	Options
1	20K-03-31261	OIL COOLER	1	SN:K40001--
2	20K-03-31251	RADIATOR	1	SN:K40001--
3	20K-03-31241	CHARGE AIR COOLER	1	SN:K40001--
4	20K-03-31341	PLATE ASS'Y	1	SN:K40001--
5	01643-30823	WASHER	40	SN:K40001--
6	01580-10806	NUT	20	SN:K40001--
7	01010-80825	BOLT	20	SN:K40001--
8	01010-81025	BOLT	14	SN:K40001--
9	01643-31032	WASHER	14	SN:K40001--
10	01602-21030	WASHER	14	SN:K40001--
11	20K-03-31112	SHROUD	1	SN:K40001--
12	01643-31032	WASHER	20	SN:K40001--
13	01010-81025	BOLT	10	SN:K40001--
14	01580-11008	NUT	10	SN:K40001--
15	20K-03-31141	SHEET	1	SN:K40001--
16	20K-03-31530	SHEET	2	SN:K40001--
17	20K-03-31781	SHEET	1	SN:K40001--
18	20K-03-31880	SHEET	1	SN:K40001--
19	20K-03-31791	SHEET	2	SN:K40001--
20	20K-03-31810	SHEET	1	SN:K40001--
21	20K-03-31760	BRACKET	1	SN:K40001--
22	20K-03-31770	BRACKET	1	SN:K40001--
23	01643-31032	WASHER	4	SN:K40001--
24	01602-21030	WASHER	4	SN:K40001--
25	01010-80825	BOLT	4	SN:K40001--
26	20K-03-31540	BRACKET	1	SN:K40001--
27	20K-03-31890	BRACKET	1	SN:K40001--
28	07283-34346	CLIP	4	SN:K40001--
29	01643-31032	WASHER	12	SN:K40001--
30	01602-21030	WASHER	4	SN:K40001--
31	01580-31008	NUT	8	SN:K40001--
32	01010-81030	BOLT	4	SN:K40001--
33	20K-03-31121	RING	1	SN:K40001--
34	01010-81025	BOLT	6	SN:K40001--
35	175-54-34170	WASHER	6	SN:K40001--
36	01580-11210	NUT	1	SN:K40001--
37	20K-03-31520	SPACER	3	SN:K40001--
38	01643-31232	WASHER	1	SN:K40001--
39	175-54-34170	WASHER	2	SN:K40001--
40	01010-81250	BOLT	3	SN:K40001--
41	20K-03-31182	TUBE,OUTLET	1	SN:K40001--
42	20K-03-31172	TUBE,INLET	1	SN:K40001--
43	01010-81275	BOLT	8	SN:K40001--
44	01643-31232	WASHER	8	SN:K40001--
45	07000-13045	O-RING	2	SN:K40001--
46	20K-03-31270	CAP	1	SN:K40001--



**PW200-7K-KA S/N K40001-UP  
COOLING (SUB TANK)**

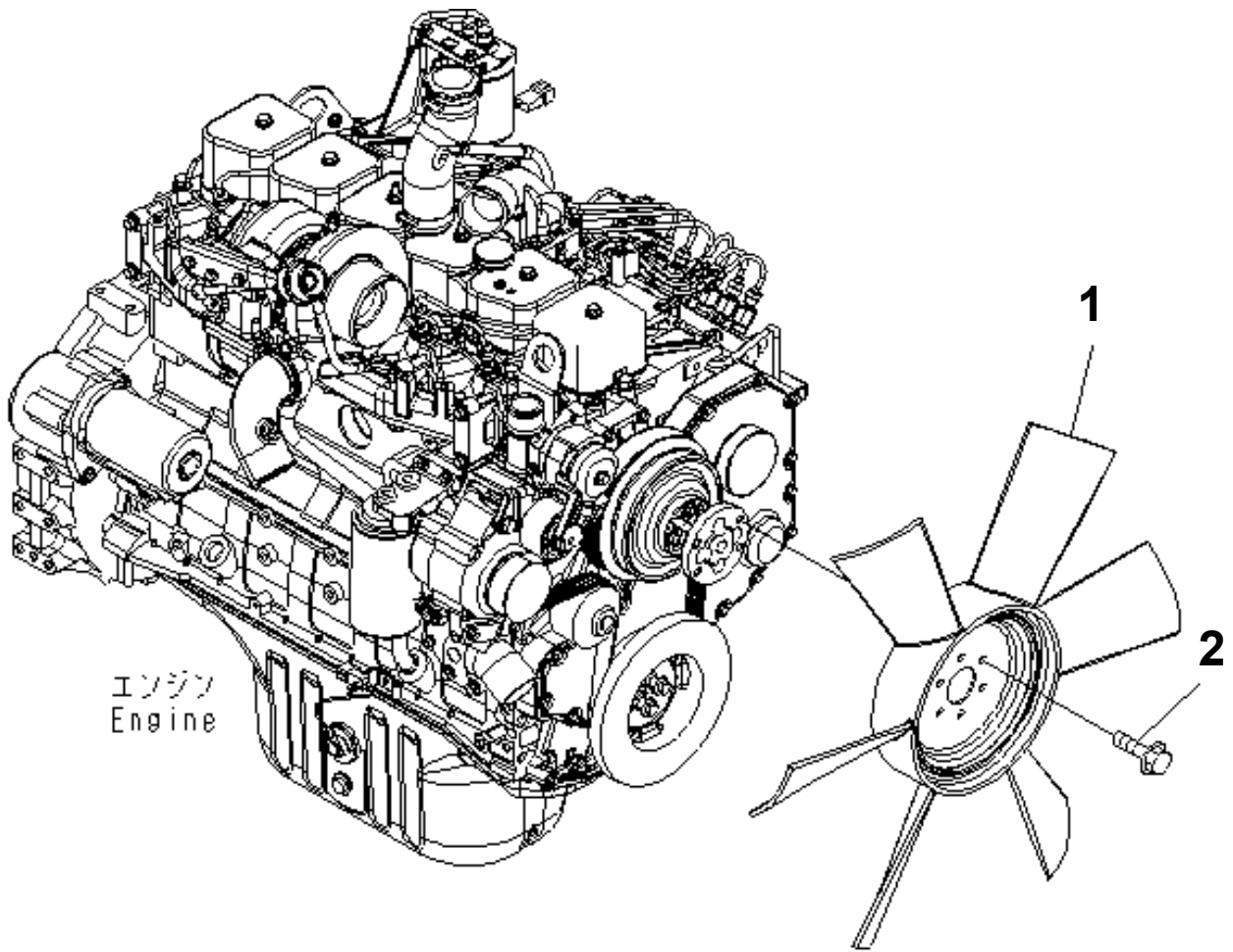
Item	Part No.	Description	Qty	Options
1	20Y-06-15240	TANK ASS'Y	1	SN:K40001--
2	205-03-71532	· CAP	1	SN:K40001--
	205-03-71540	· · PACKING	1	SN:K40001--
3	20K-03-31750	HOSE	1	SN:K40001--
4	20E-03-K1190	CLIP	3	SN:K40001--
5	20E-03-K1110	BRACKET	1	SN:K40001--
6	01010-80825	BOLT	2	SN:K40001--
7	01643-30823	WASHER	2	SN:K40001--
8	20K-03-31740	HOSE	1	SN:K40001--
9	04434-51510	CLIP	3	SN:K40001--
10	01010-81020	BOLT	3	SN:K40001--
11	01643-31032	WASHER	3	SN:K40001--
12	04434-51510	CLIP	2	SN:K40001--
13	01010-81020	BOLT	2	SN:K40001--
14	01643-31032	WASHER	2	SN:K40001--
15	08037-01610	GROMMET	1	SN:K40001--



0 0 0 0 2 4 5 0

**PW200-7K-KA S/N K40001-UP**  
**COOLING (RADIATOR AND CHARGE OIL COOLER HOSE)**

Item	Part No.	Description	Qty	Options
1	20K-03-31191	HOSE,INLET	1	SN:K40001--
2	07281-00709	CLAMP	1	SN:K40001--
3	07281-00709	CLAMP	1	SN:K40001--
4	20K-03-31212	HOSE,OUTLET	1	SN:K40001--
5	07281-00709	CLAMP	1	SN:K40001--
6	07281-00809	CLAMP	1	SN:K40001--
7	20K-03-31221	HOSE,INLET	1	SN:K40001--
8	07281-00809	CLAMP	1	SN:K40001--
9	07281-00809	CLAMP	1	SN:K40001--
10	20K-03-31231	HOSE,OUTLET	1	SN:K40001--
11	07281-00809	CLAMP	1	SN:K40001--
12	07281-00809	CLAMP	1	SN:K40001--



0 0 0 0 2 4 5 1



**Suggest:**

**For more complete manuals. Please go to the home page.**

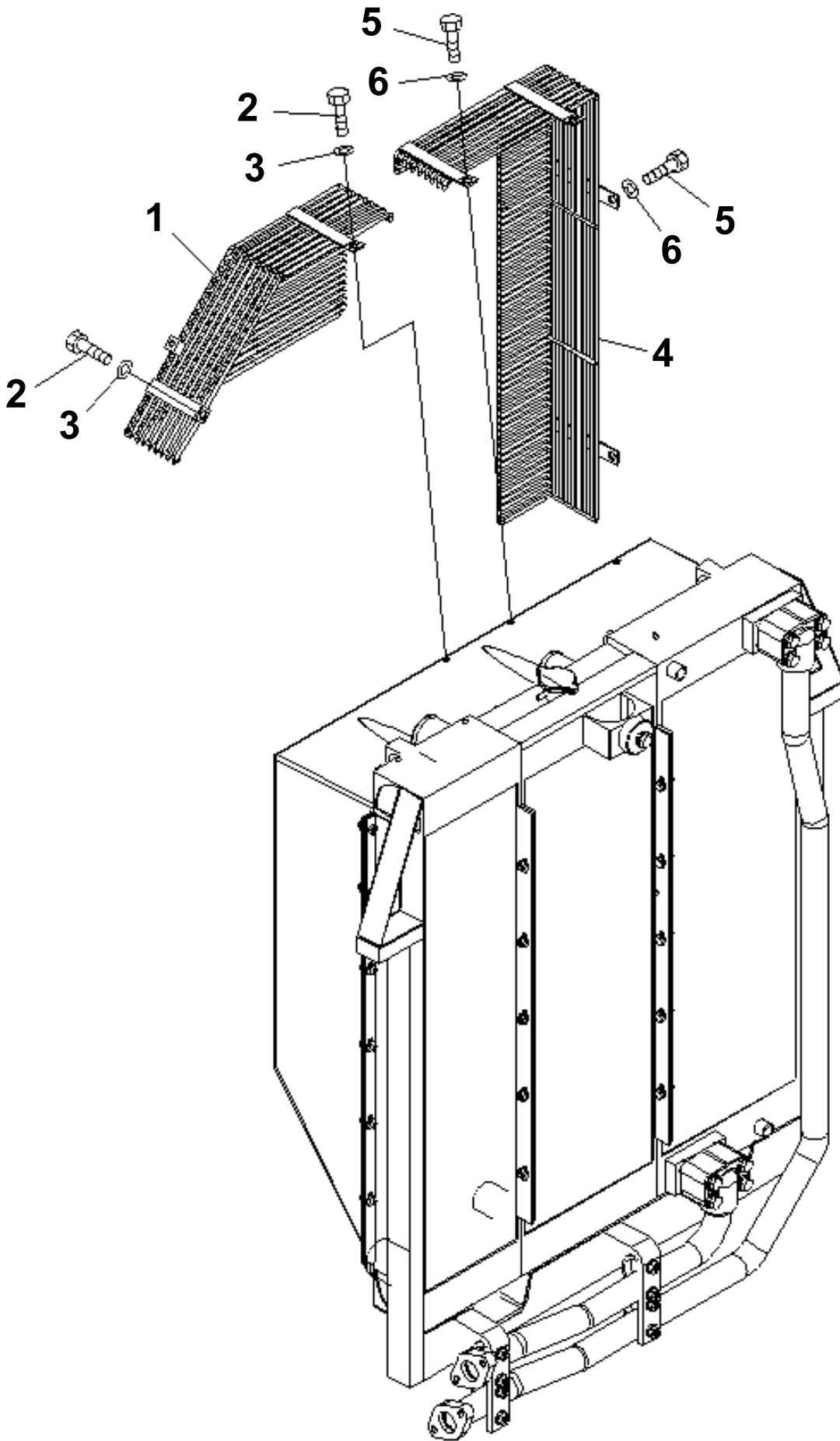
**<https://www.ebooklibonline.com>**

**If the above button click is invalid. Please download this document first, and then click the above link to download the complete manual.**

**Thank you so much for reading**

**PW200-7K-KA S/N K40001-UP  
COOLING (FAN)**

Item	Part No.	Description	Qty	Options
1	20K-03-31490	FAN	1	SN:K40001--
2	01435-01025	BOLT	4	SN:K40001--



**<https://www.ebooklibonline.com>**

Hello dear friend!

Thank you very much for reading.

Enter the link into your browser.

The full manual is available for immediate download.

**<https://www.ebooklibonline.com>**