

PW200-7E0 S/N H55051-UP
PW200-7E0_COVER



PW200-7E0 S/N H55051-UP
PW200-7E0 TABLE OF CONTENTS

Description	Page
AA ENGINE	01
B0 ENGINE RELATED PARTS	02
C0 COOLING SYSTEM	03
D0 FUEL TANK AND RELATED PARTS	04
E0 ELECTRICAL SYSTEM	05
F0 POWER TRAIN	06
H0 HYDRAULIC SYSTEM	07
J0 MAIN/REVOLVING FRAME AND RELATED PARTS	08
K0 OPERATOR 硯 COMPARTMENT AND CONTROL SYSTEM	09
M0 GUARD	10
N0 SWING CIRCLE AND RELATED PARTS	11
P0 TRAVEL AND LOWER PIPING	12
S0 SUSPENSION AND WHEEL	13
T0 WORK EQUIPMENT	14
U0 MARKS AND PLATES	15
V0 ACCESSORY AND TOOL	16
W0 MISCELLANEOUS	17
Y0 SERVICE KIT AND COMPONENT PARTS	18

AA ENGINE

Description	Page
ENGINE	AA-2
CYLINDER HEAD	AA-3
LIFTING BRACKETS AND MOUNTING PARTS	AA-4
HEAD COVER	AA-5
BREATHER AND HOSE	AA-6
AIR INTAKE UNIT	AA-7
EXHAUST CONNECTOR CLAMP	AA-8
EXHAUST MANIFOLD	AA-9
TURBOCHARGER OIL PIPING	AA-10
AIR INTAKE COVER	AA-11
TURBOCHARGER	AA-12
AIR INTAKE CONNECTOR	AA-11B
HEAT SHIELD (TURBOCHARGER)	AA-13
THERMOSTAT	AA-14
WATER OUTLET CONNECTOR	AA-15
TAPPET AND PLATE	AA-16
CYLINDER BLOCK PLATE	AA-17
CYLINDER BLOCK	AA-18
FRONT GEAR COVER	AA-19
CYLINDER BLOCK BLIND PLUG	AA-20
REAR GEAR COVER FITTING PARTS	AA-21
OIL PAN	AA-22
OIL PAN DRAIN	AA-23
OIL LEVEL SENSOR	AA-24
OIL LEVEL GAUGE	AA-25
BREATHER RELATED PARTS	AA-26
FLYWHEEL HOUSING	AA-27
FLYWHEEL	AA-28
FLYWHEEL MOUNTING	AA-29
CRANKSHAFT	AA-30
DAMPER	AA-31
PISTON AND CONNECTING ROD	AA-32
ROCKER ARM	AA-33
CAMSHAFT	AA-34
REAR GEAR HOUSING	AA-35
ACCESSORY DRIVE PULLEY	AA-36
OIL PUMP	AA-37
OIL FILTER AND PIPING	AA-38
OIL COOLER	AA-39
FUEL SYSTEM RELATED PARTS	AA-40
FUEL INJECTION PUMP	AA-41
FUEL FILTER	AA-42
FUEL FILTER PIPING	AA-43
FUEL PIPING	AA-44
FUEL FILTER MOUNTING	AA-45
FUEL SYSTEM COVER	AA-46
FUEL FILTER PIPING AND COMMON RAIL	AA-47
INJECTOR	AA-48
FUEL INJECTION CONTROLLER RELATED PARTS	AA-49
FUEL INJECTION CONTROLLER	AA-50
WATER INLET CONNECTOR	AA-51
WATER PUMP	AA-52
FAN DRIVE PULLEY	AA-53
FAN SPACER	AA-54
ALTERNATOR (60A)	AA-55
ALTERNATOR (60A) (INNER PARTS)	AA-56
COOLING FAN BELT (FOR 60A ALTERNATOR)	AA-57
ALTERNATOR MOUNTING	AA-58
BELT TENSIONER	AA-59
STARTING MOTOR (5.5KW)	AA-60
STARTING MOTOR (5.5KW) (INNER PARTS)	AA-61

<https://www.ebooklibonline.com>

Hello dear friend!

Thank you very much for reading.

Enter the link into your browser.

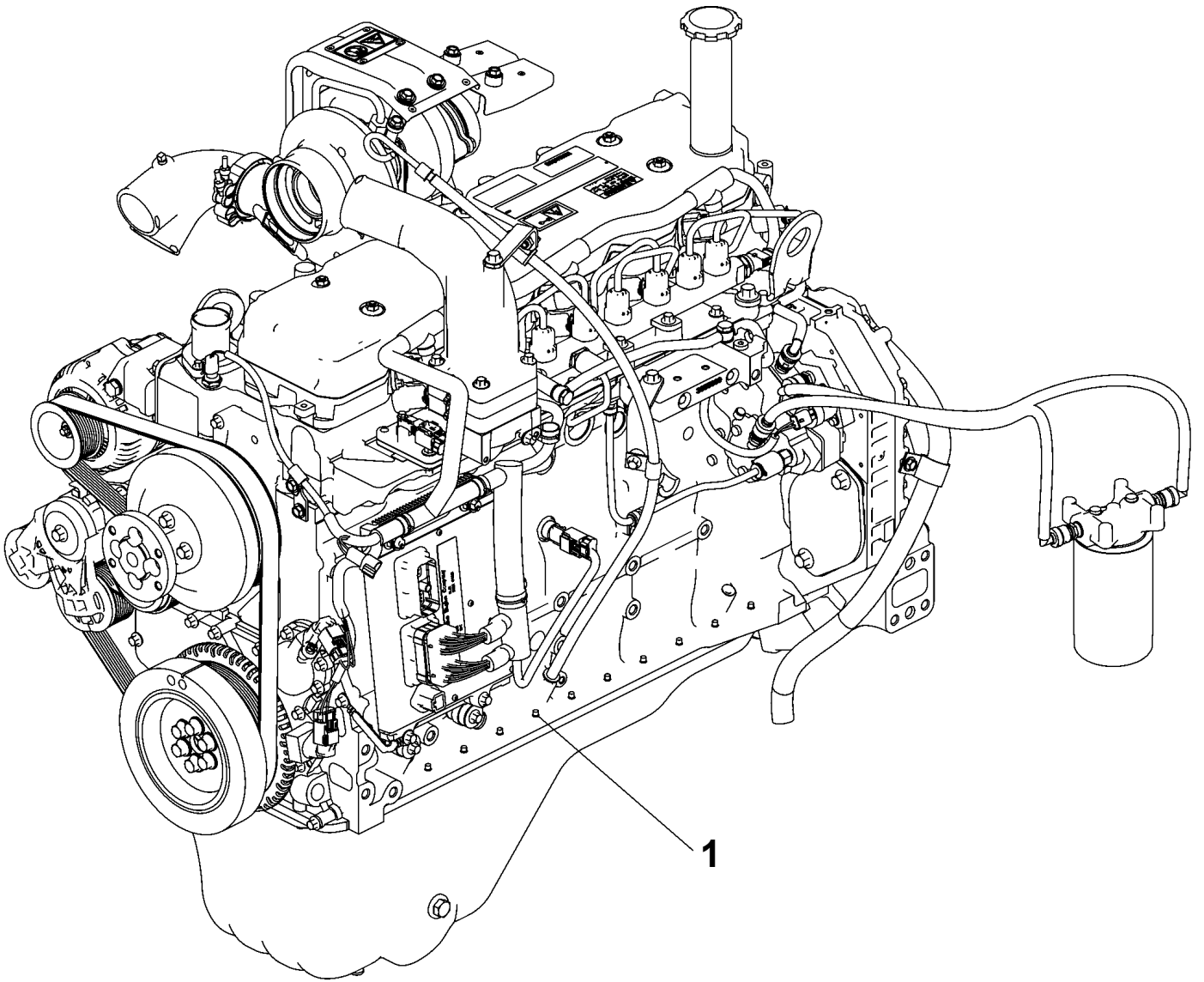
The full manual is available for immediate download.

<https://www.ebooklibonline.com>

PW200-7E0 S/N H55051-UP

AA ENGINE

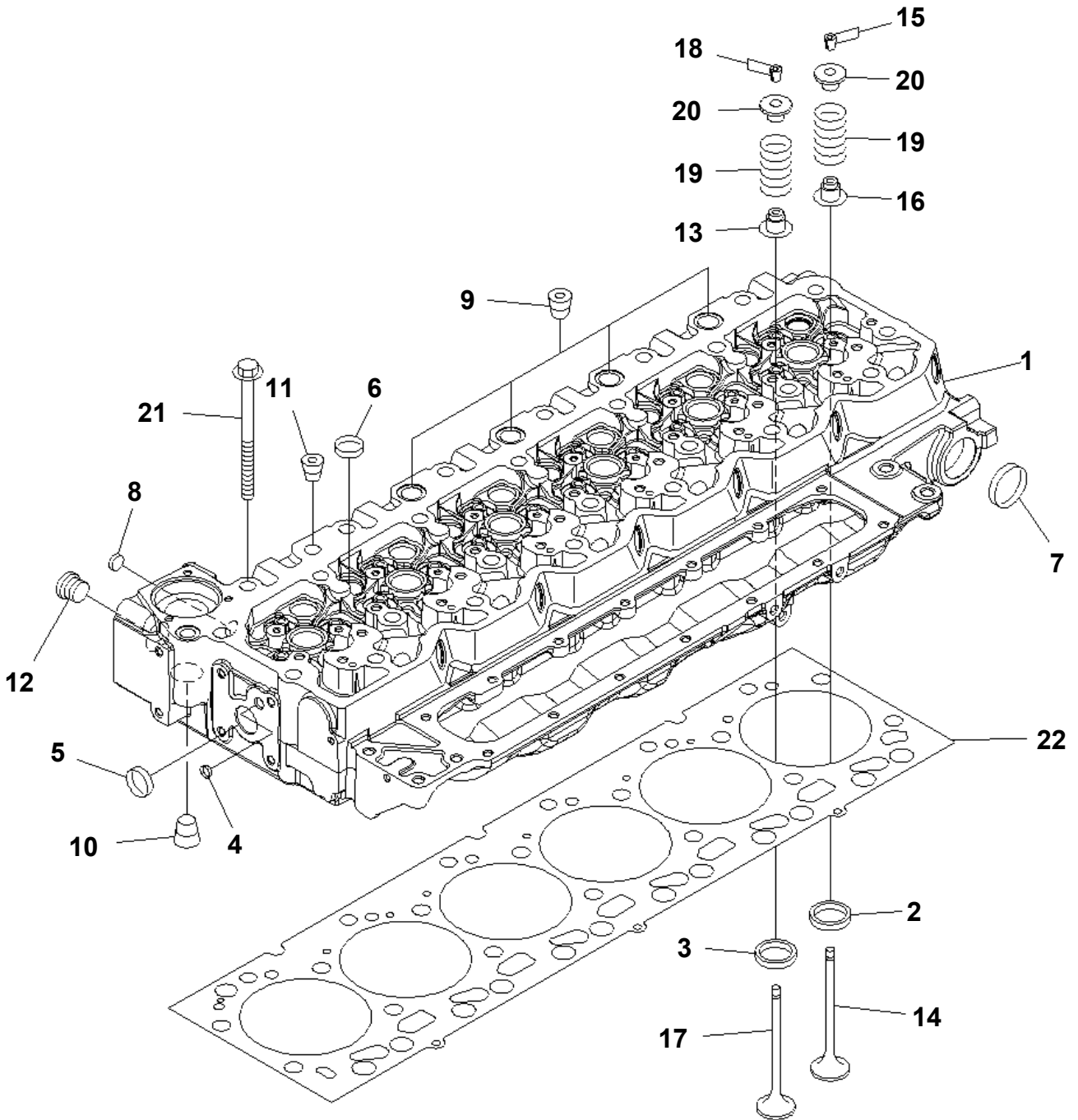
Description	Page
STARTING MOTOR MOUNTING (5.5KW)	AA-62
WIRING HARNESS	AA-63
WIRING HARNESS BRACKET	AA-64
REPAIR PARTS	AA-65



GJ2K5285

**PW200-7E0 S/N H55051-UP
ENGINE**

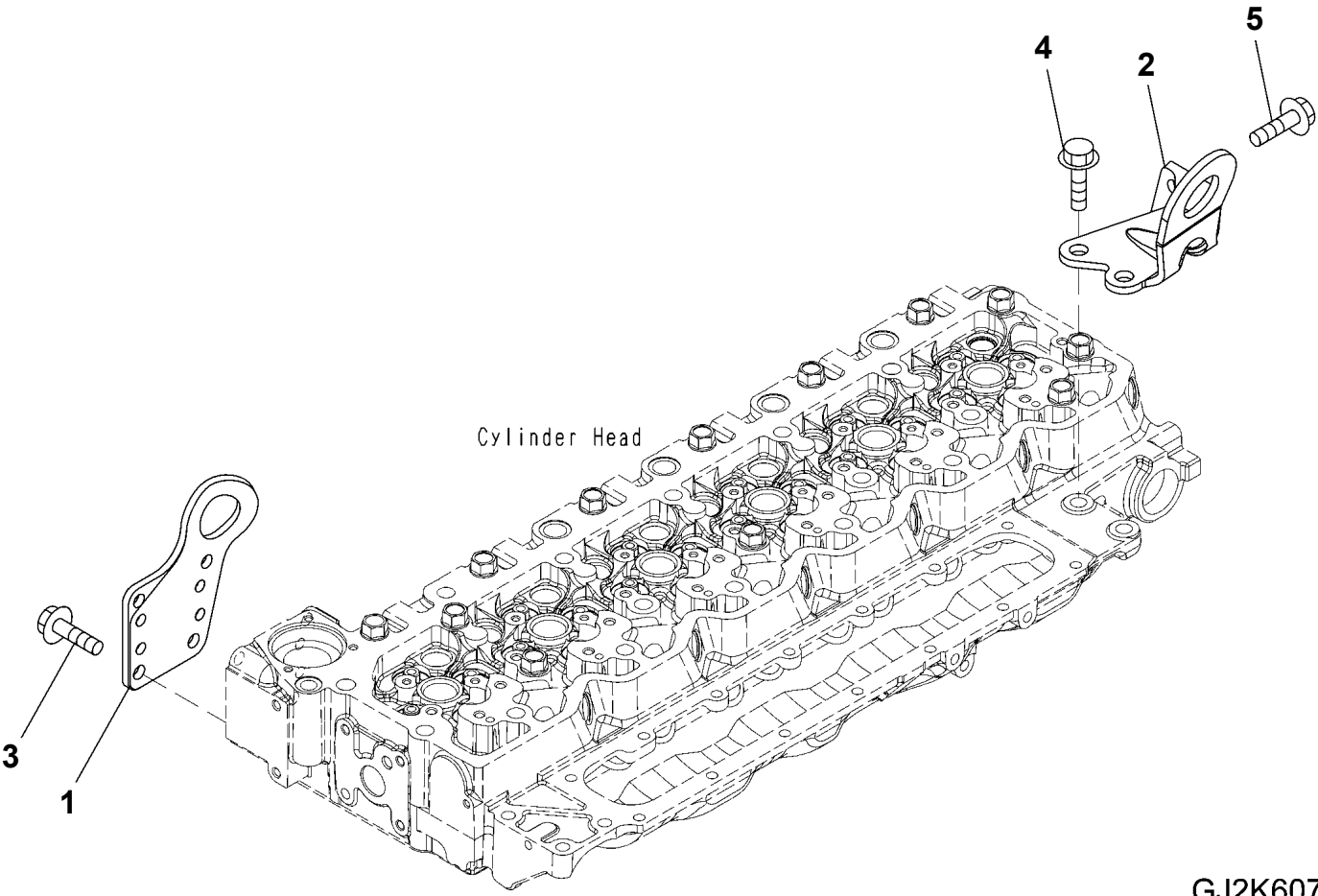
Item	Part No.	Description	Qty	Options
1	20K-01-31710	ENGINE, SAA6D107E-1	1	SN:21714812--



00050924

**PW200-7E0 S/N H55051-UP
CYLINDER HEAD**

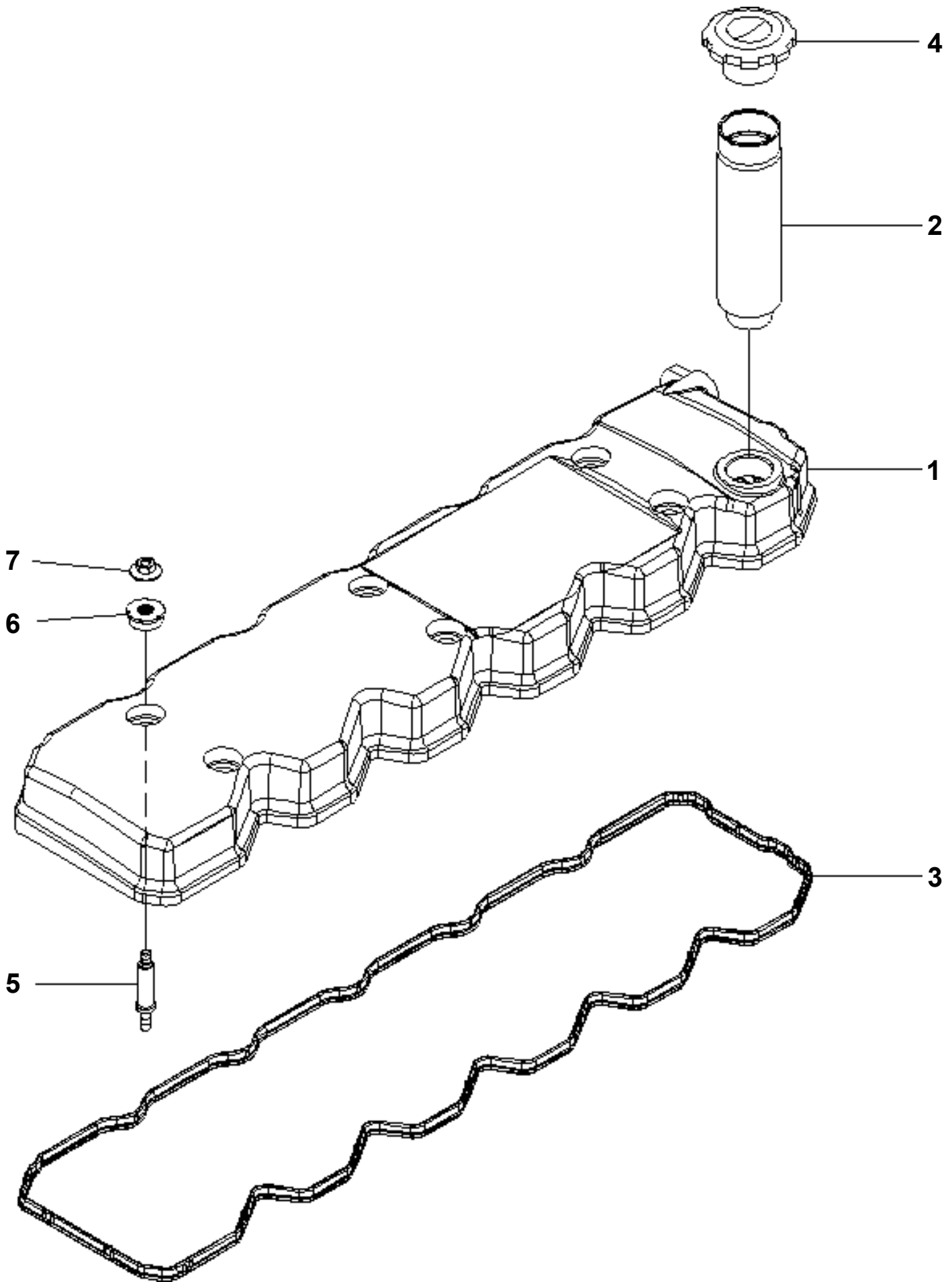
Item	Part No.	Description	Qty	Options
	6754-11-1101	HEAD,CYLINDER	1	SN:21714812--
1	☆	· HEAD,CYLINDER	1	SN:21714812--
2	6754-11-1170	· INSERT,VALVE	12	SN:21714812--
3	6754-11-1180	· INSERT,VALVE	12	SN:21714812--
4	6754-11-1150	· PLUG,EXPANSION	7	SN:21714812--
5	6732-21-1820	· PLUG	13	SN:21714812--
6	6735-21-5530	· PLUG	11	SN:21714812--
7	6744-11-1070	· PLUG,EXPANSION	2	SN:21714812--
8	6754-11-1160	· PLUG,EXPANSION	2	SN:21714812--
9	6732-11-1910	PLUG	4	SN:21714812--
10	6732-11-1920	PLUG	3	SN:21714812--
11	6732-61-2240	PLUG	1	SN:21714812--
12	6216-14-6820	PLUG ASSEMBLY	1	SN:21714812--
	6216-14-6860	· O-RING	1	SN:21714812--
13	6754-41-4540	SEAL,VALVE STEM	12	SN:21714812--
	6754-41-4100	KIT,INTAKE VALVE	12	SN:21714812--
14	☆	· VALVE,INTAKE	1	SN:21714812--
15	6744-11-1020	· COLLET	2	SN:21714812--
16	6754-41-4540	· SEAL,VALVE STEM	1	SN:21714812--
	6754-41-4200	KIT,EXHAUST VALVE	12	SN:21714812--
17	☆	· VALVE,EXHAUST	1	SN:21714812--
18	6744-11-1020	· COLLET	2	SN:21714812--
19	6754-41-4420	SPRING,VALVE	24	SN:21714812--
20	6754-41-4510	RETAINER,VALVE SPRING	24	SN:21714812--
21	6754-11-1610	SCREW,HEX FLANGE HEAD CAP	26	SN:21714812--
22	6754-11-1811	GASKET,CYLINDER HEAD	1	SN:21714812--



GJ2K6078

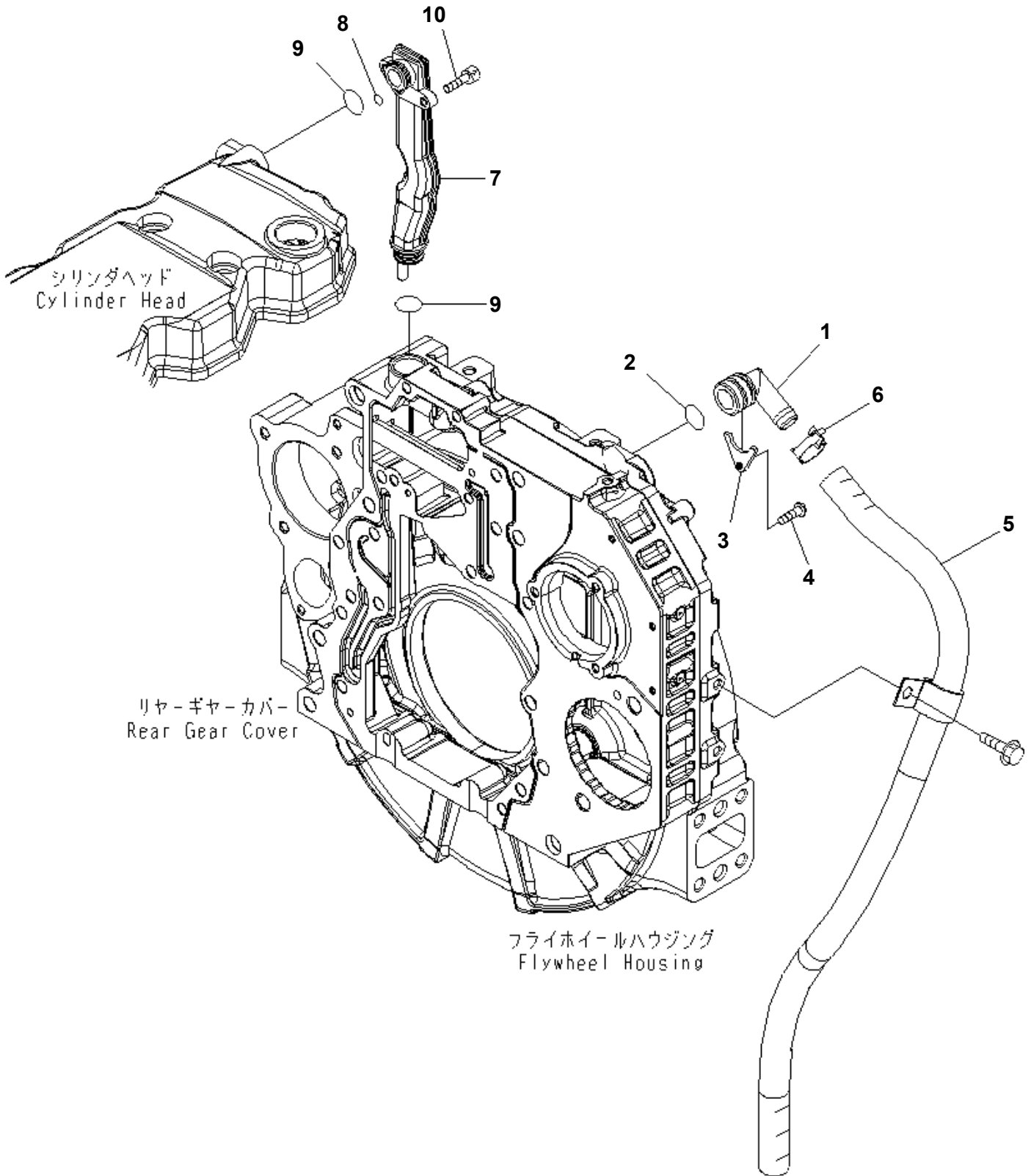
PW200-7E0 S/N H55051-UP
LIFTING BRACKETS AND MOUNTING PARTS

Item	Part No.	Description	Qty	Options
1	6754-11-1710	BRACKET	1	SN:21714812--
2	6754-11-1920	BRACKET	1	SN:21714812--
3	6735-71-3220	BOLT	4	SN:21714812--
4	6732-51-5130	BOLT	2	SN:21714812--
5	6732-61-3140	BOLT	2	SN:21714812--



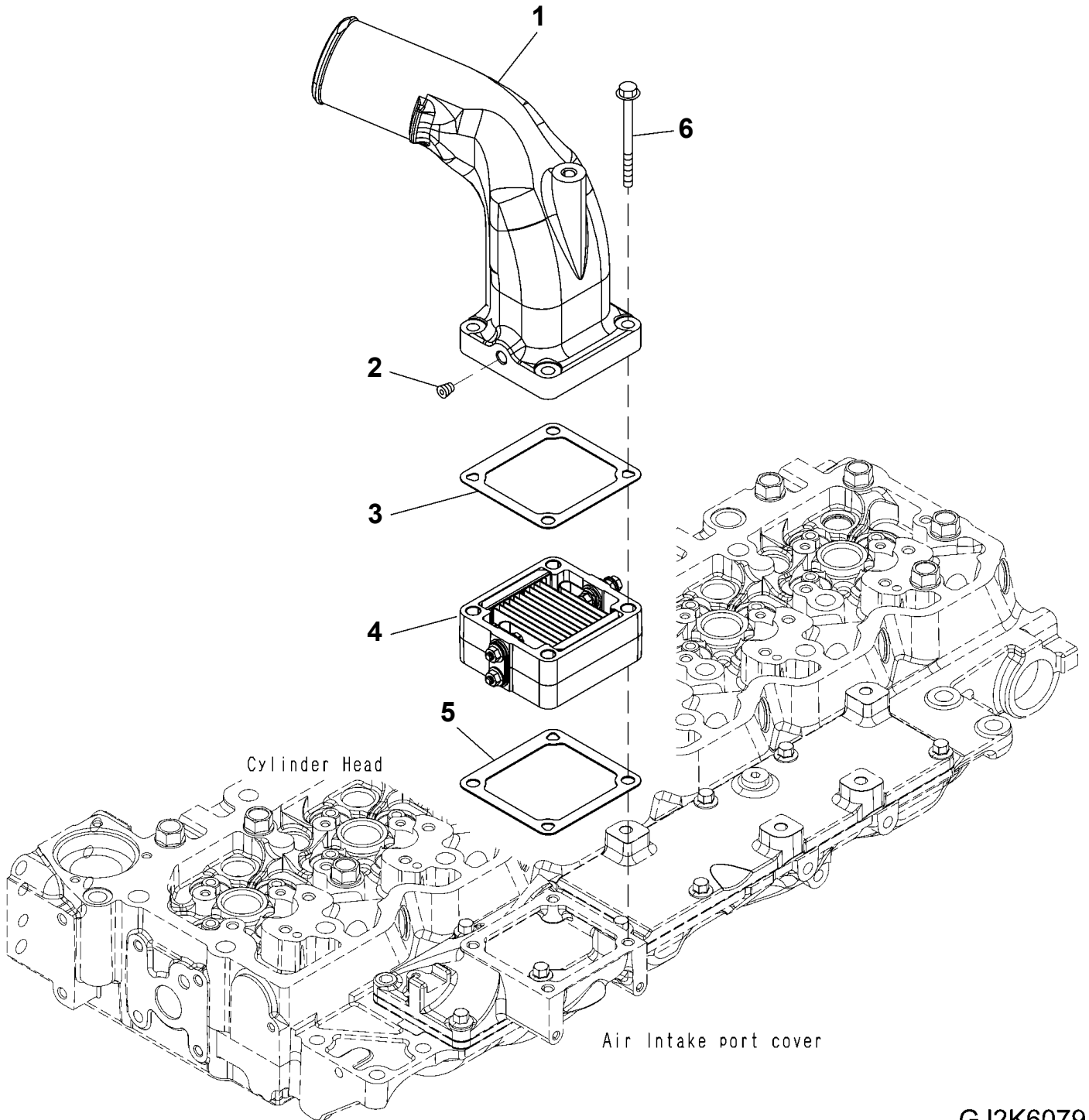
**PW200-7E0 S/N H55051-UP
HEAD COVER**

Item	Part No.	Description	Qty	Options
1	6754-11-8110	COVER	1	SN:21714812--
2	6754-11-8140	FILLER, OIL	1	
3	6754-11-8180	GASKET, VALVE COVER	1	SN:21714812--
4	6130-12-8610	CAP, FILLER	1	SN:21714812--
5	6754-11-8150	STUD	6	SN:21714812--
6	6754-11-8210	ISOLATOR, NOISE	6	SN:21714812--
7	6754-11-8160	NUT, HEXAGON FLANGE	6	SN:21714812--



**PW200-7E0 S/N H55051-UP
BREATHER AND HOSE**

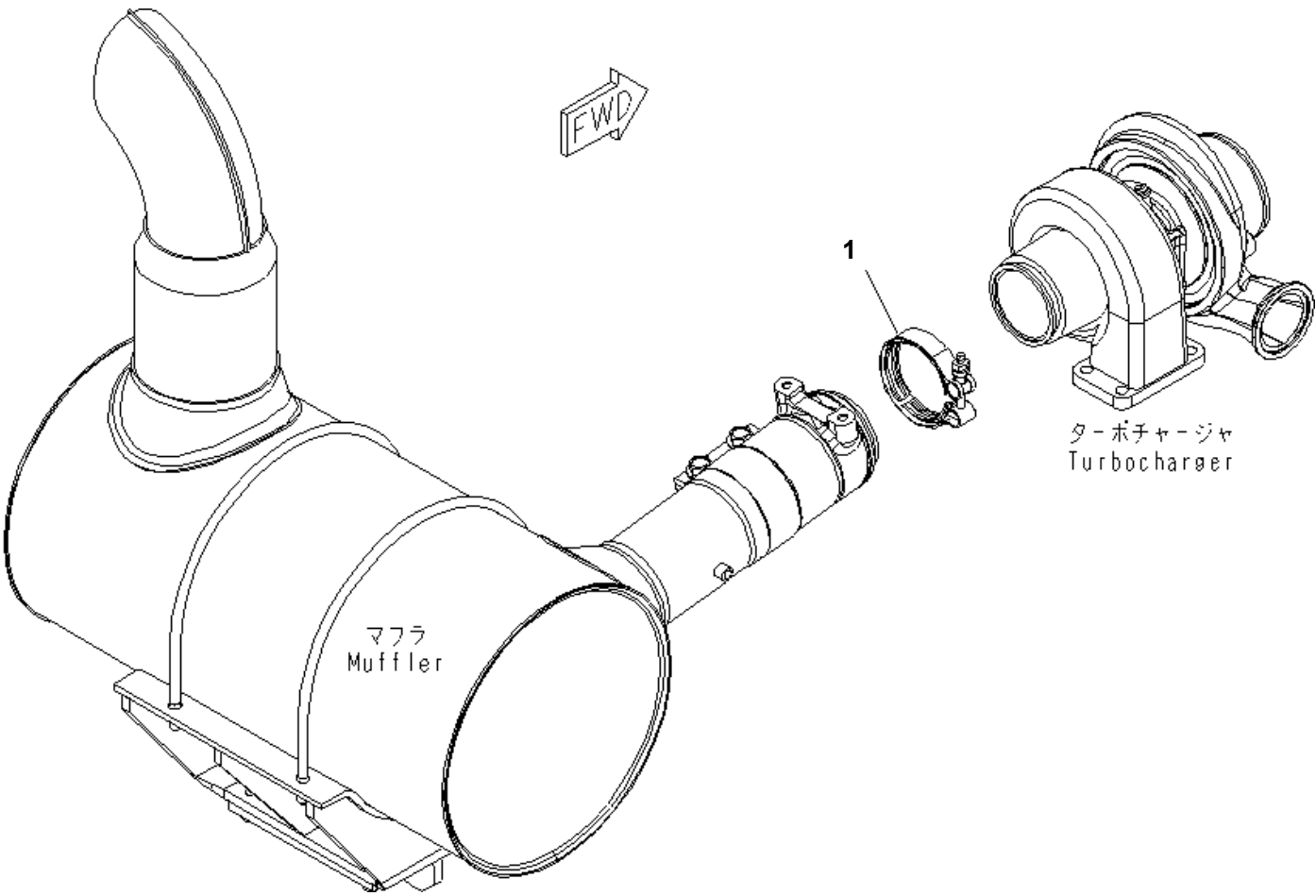
Item	Part No.	Description	Qty	Options
1	6754-21-6140	BREATHER,CRANKCASE	1	SN:21714812--
2	124-11-55H1	SEAL, O RING	1	SN:21714812--
3	6754-21-6150	PLATE,CLAMPING	1	SN:21714812--
4	6754-21-6160	SCREW,ROUND HEAD CAP	1	SN:21714812--
5	6732-22-7820	HOSE	1	SN:21714812--
6	6754-21-6180	CLAMP	1	SN:21714812--
	6754-21-6100	TUBE,BREATHER	1	SN:21714812--
7	☆	· TUBE,BREATHER	1	SN:21714812--
8	6754-21-6250	· SEAL,O RING	1	SN:21714812--
9	6754-21-6240	· SEAL,O RING	2	SN:21714812--
10	6754-21-6280	BOLT	2	SN:21714812--



GJ2K6079

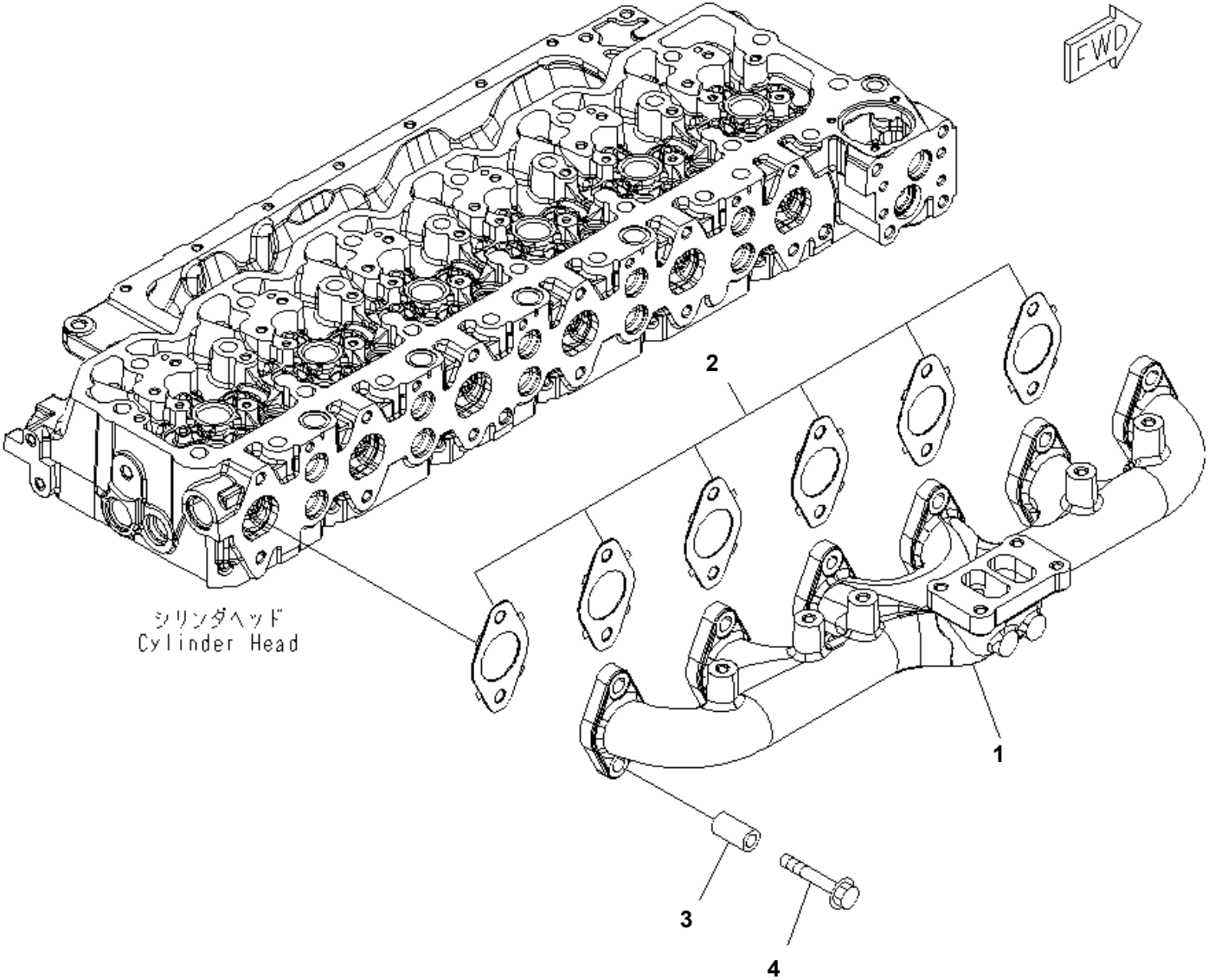
**PW200-7E0 S/N H55051-UP
AIR INTAKE UNIT**

Item	Part No.	Description	Qty	Options
1	6754-11-4410	CONNECTOR	1	SN:21714812--
2	07043-70108	PLUG	1	SN:21714812--
3	6754-11-4120	GASKET,CONNECTION	1	SN:21714812--
4	6754-81-5110	HEATER,INTAKE AIR	1	SN:21714812--
5	6754-11-4120	GASKET,CONNECTION	1	SN:21714812--
6	6734-11-5210	SCREW,HEX FLANGE HEAD CAP	4	SN:21714812--



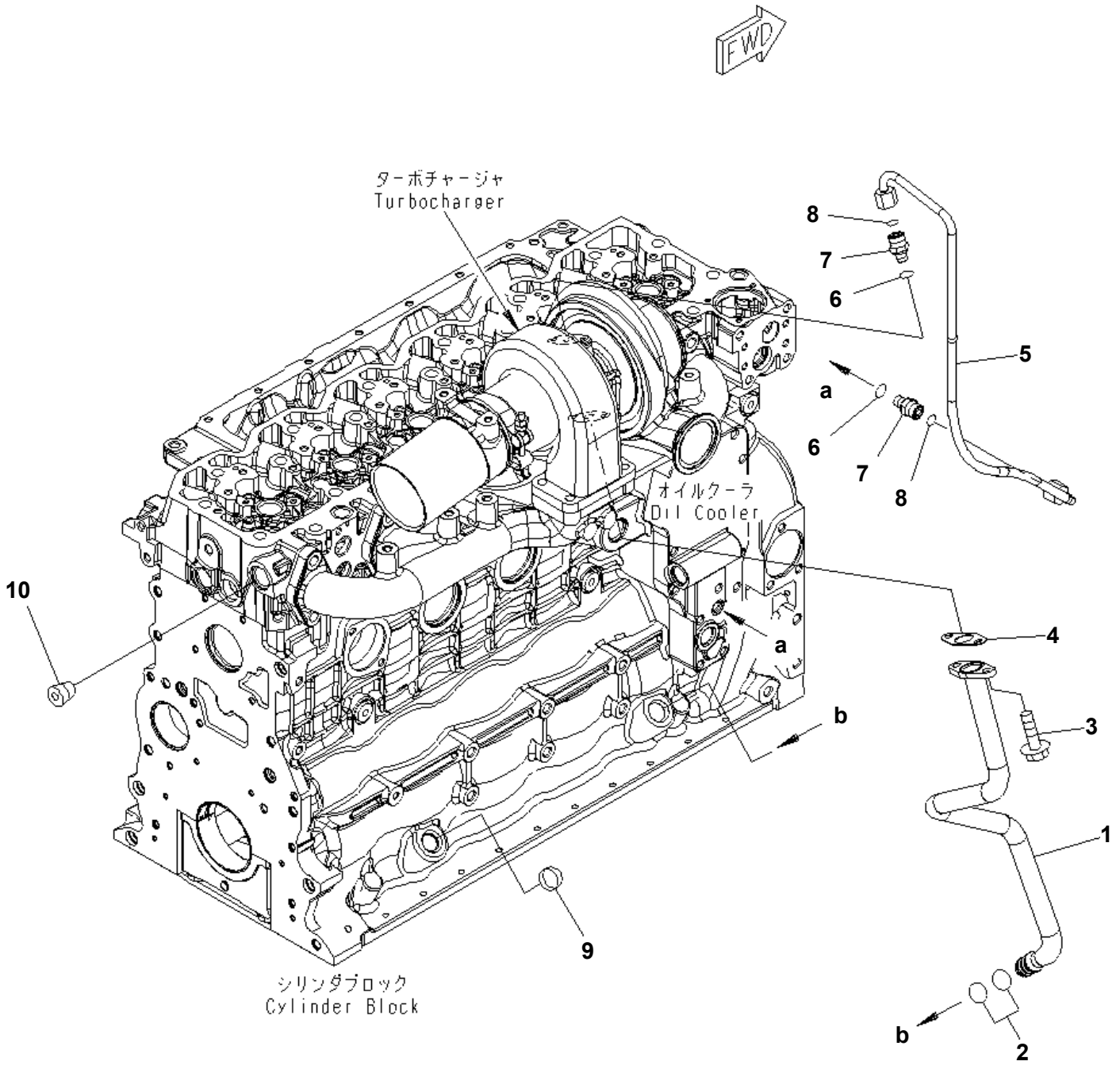
**PW200-7E0 S/N H55051-UP
EXHAUST CONNECTOR CLAMP**

Item	Part No.	Description	Qty	Options
1	6732-81-8220	CLAMP	1	SN:21714812--



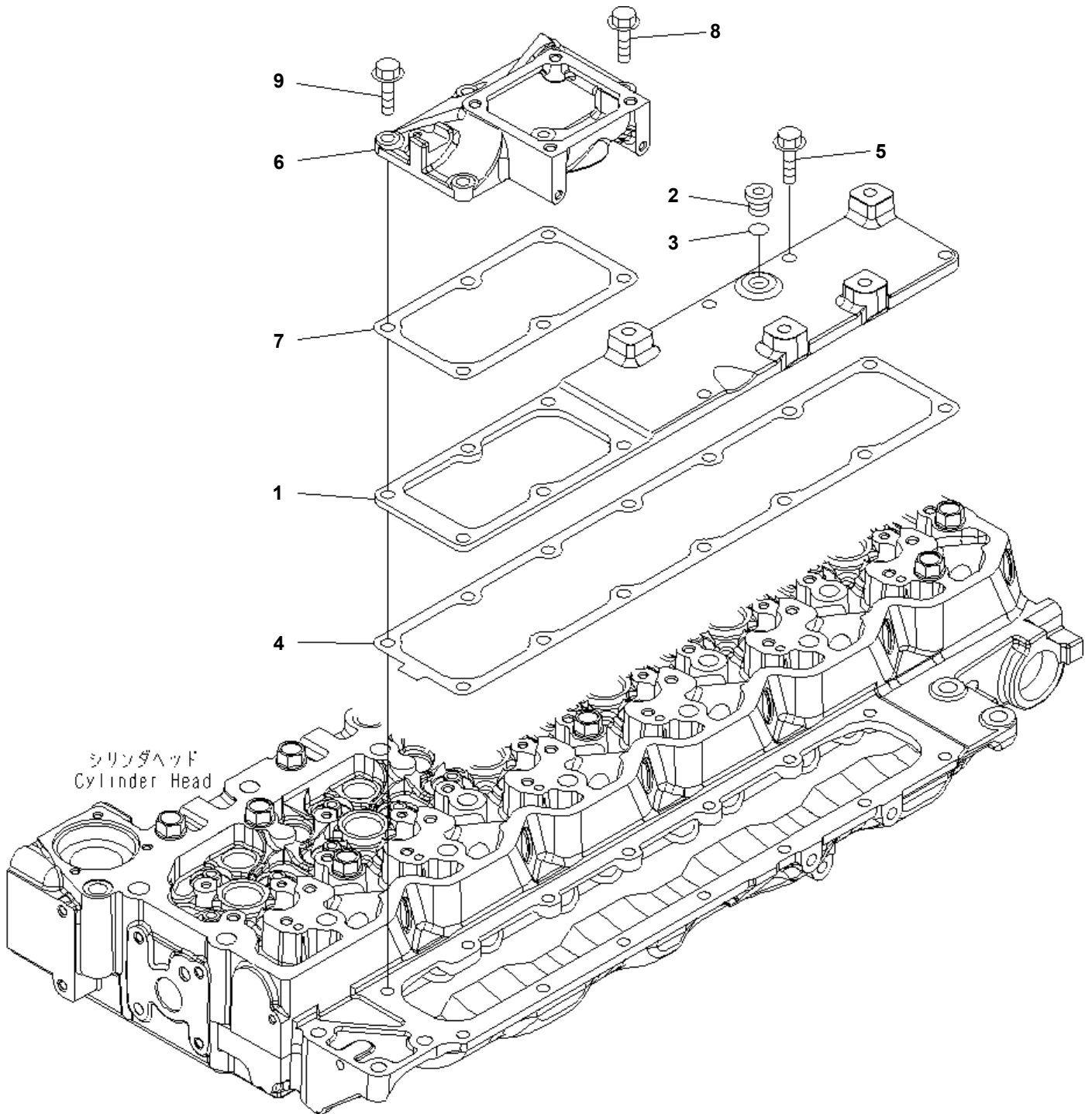
**PW200-7E0 S/N H55051-UP
EXHAUST MANIFOLD**

Item	Part No.	Description	Qty	Options
1	6754-11-5110	MANIFOLD	1	SN:21714812--
2	6754-11-5140	GASKET,EXHAUST MANIFOLD	6	SN:21714812--
3	6754-11-5150	SPACER,MOUNTING	12	SN:21714812--
4	6732-11-5860	SCREW,HEX FLANGE HEAD CAP	12	SN:21714812--



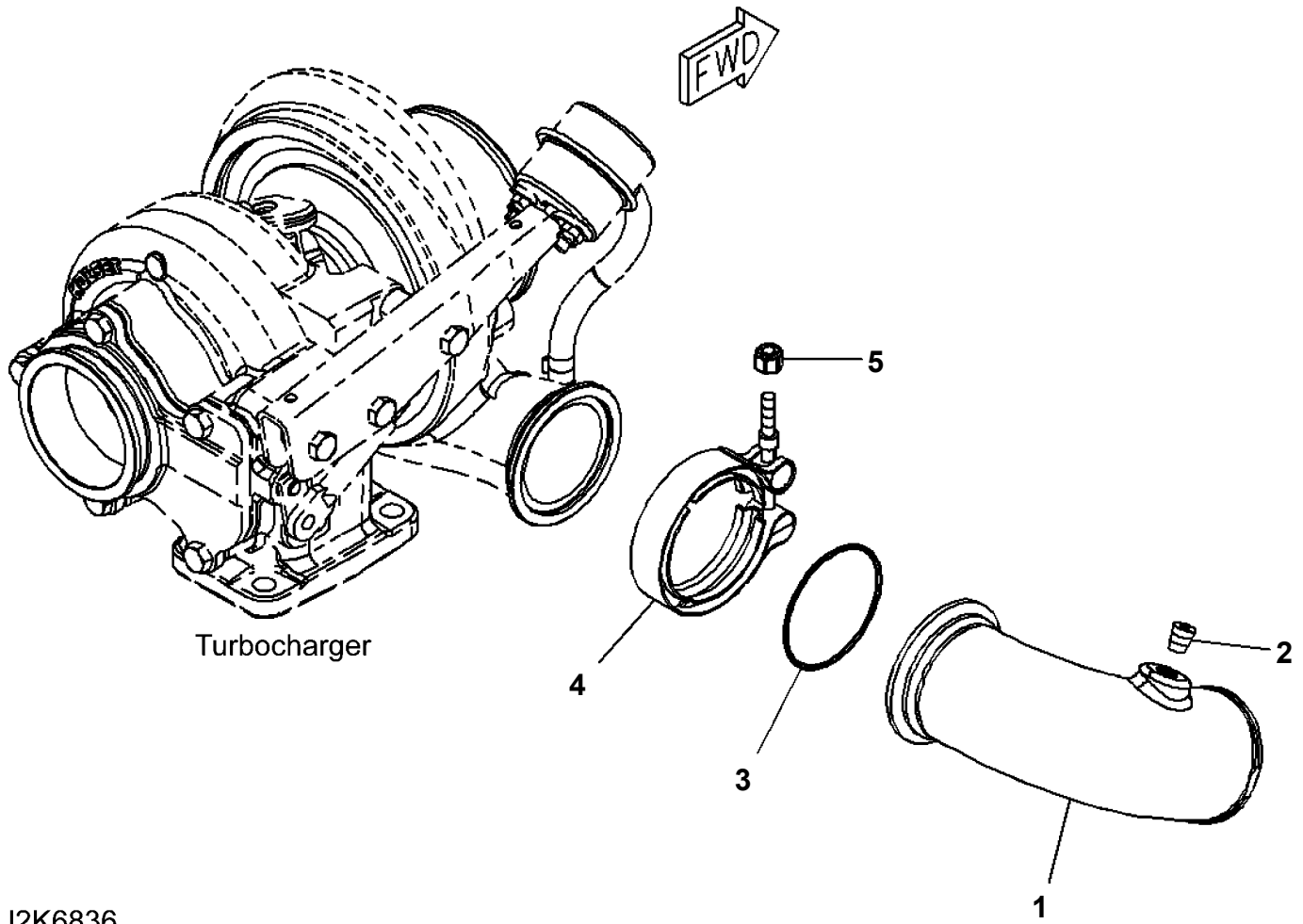
**PW200-7E0 S/N H55051-UP
TURBOCHARGER OIL PIPING**

Item	Part No.	Description	Qty	Options
1	6754-51-8110	TUBE	1	SN:21714812--
2	6732-51-8330	O-RING	2	SN:21714812--
3	6731-61-1370	SCREW,HEX FLANGE HEAD CAP	2	SN:21714812--
4	6754-51-8121	GASKET	1	SN:21714812--
5	6754-51-8210	HOSE	1	SN:21714812--
6	6736-51-8710	O-RING	2	SN:21714812--
7	6732-81-8850	CONNECTOR	2	SN:21714812--
8	6732-81-8860	O-RING	2	SN:21714812--
9	6735-21-5530	PLUG	1	SN:21714812--
10	6732-11-1920	PLUG	1	SN:21714812--



**PW200-7E0 S/N H55051-UP
AIR INTAKE COVER**

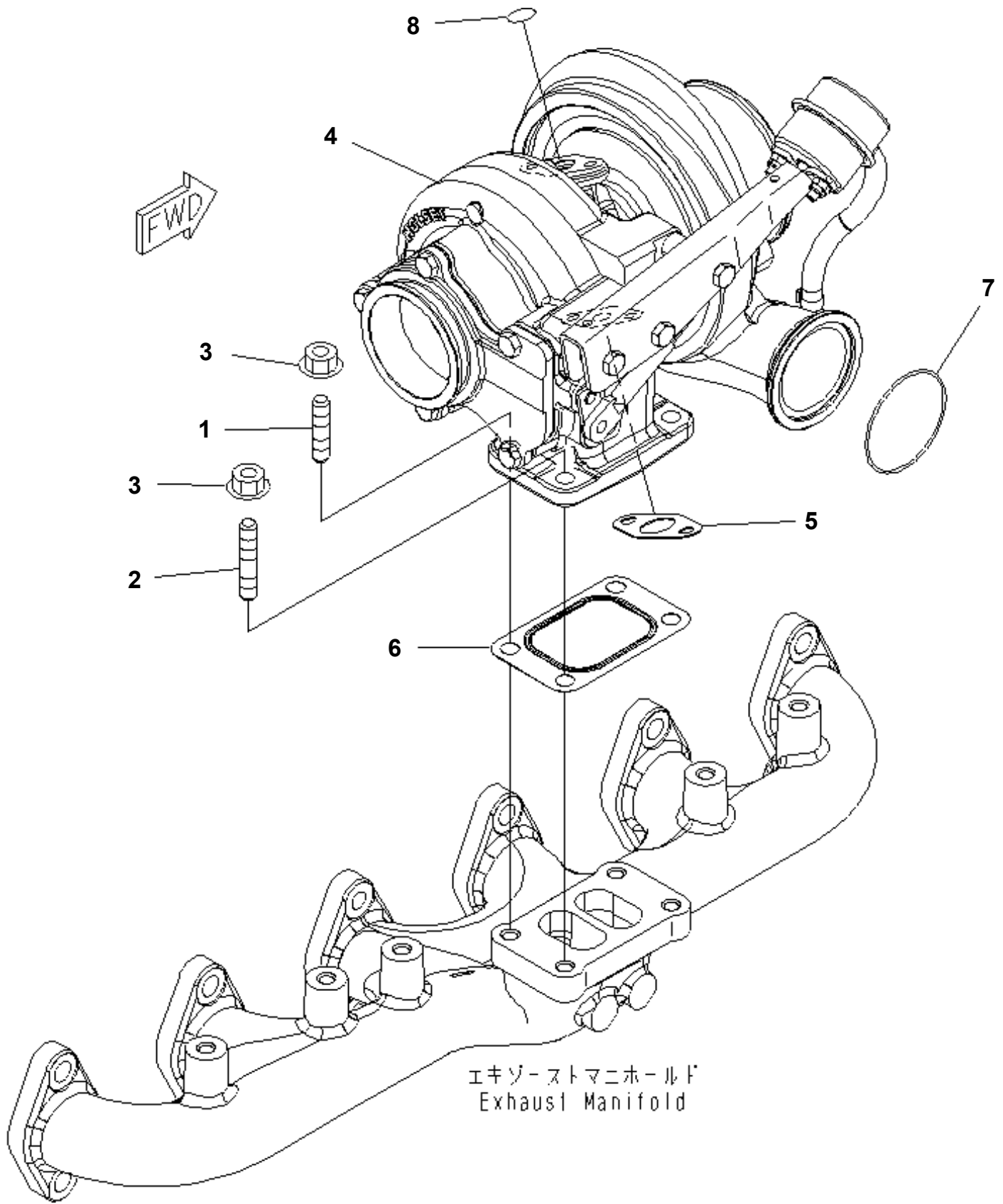
Item	Part No.	Description	Qty	Options
1	6754-11-4230	COVER	1	SN:21714812--
	6735-21-1910	PLUG ASSEMBLY	1	SN:21714812--
2	6735-21-1920	· PLUG	1	SN:21714812--
3	6735-21-1930	· O-RING	1	SN:21714812--
4	6754-11-4280	GASKET,INT MANIFOLD COVER	1	SN:21714812--
5	6732-11-4160	SCREW,HEX FLANGE HEAD CAP	4	SN:21714812--
6	6754-11-4221	COVER,INTAKE MANIFOLD	1	SN:21714812--
7	6754-11-4390	GASKET,CONNECTION	1	SN:21714812--
8	6743-12-4110	SCREW,HEX FLANGE HEAD CAP	5	SN:21714812--
9	6754-11-4270	SCREW,HEX FLANGE HEAD CAP	1	SN:21714812--



GJ2K6836

**PW200-7E0 S/N H55051-UP
AIR INTAKE CONNECTOR**

Item	Part No.	Description	Qty	Options
1	6738-11-4320	PIPE, AIR TRANSFER	1	SN:21714812--
2	07043-70108	PLUG	2	SN:21714812--
3	6738-11-4370	O-RING	1	SN:21714812--
4	6738-11-4380	CLAMP	1	SN:21714812--
5	6738-11-4390	NUT	1	SN:21714812--





Suggest:

For more complete manuals. Please go to the home page.

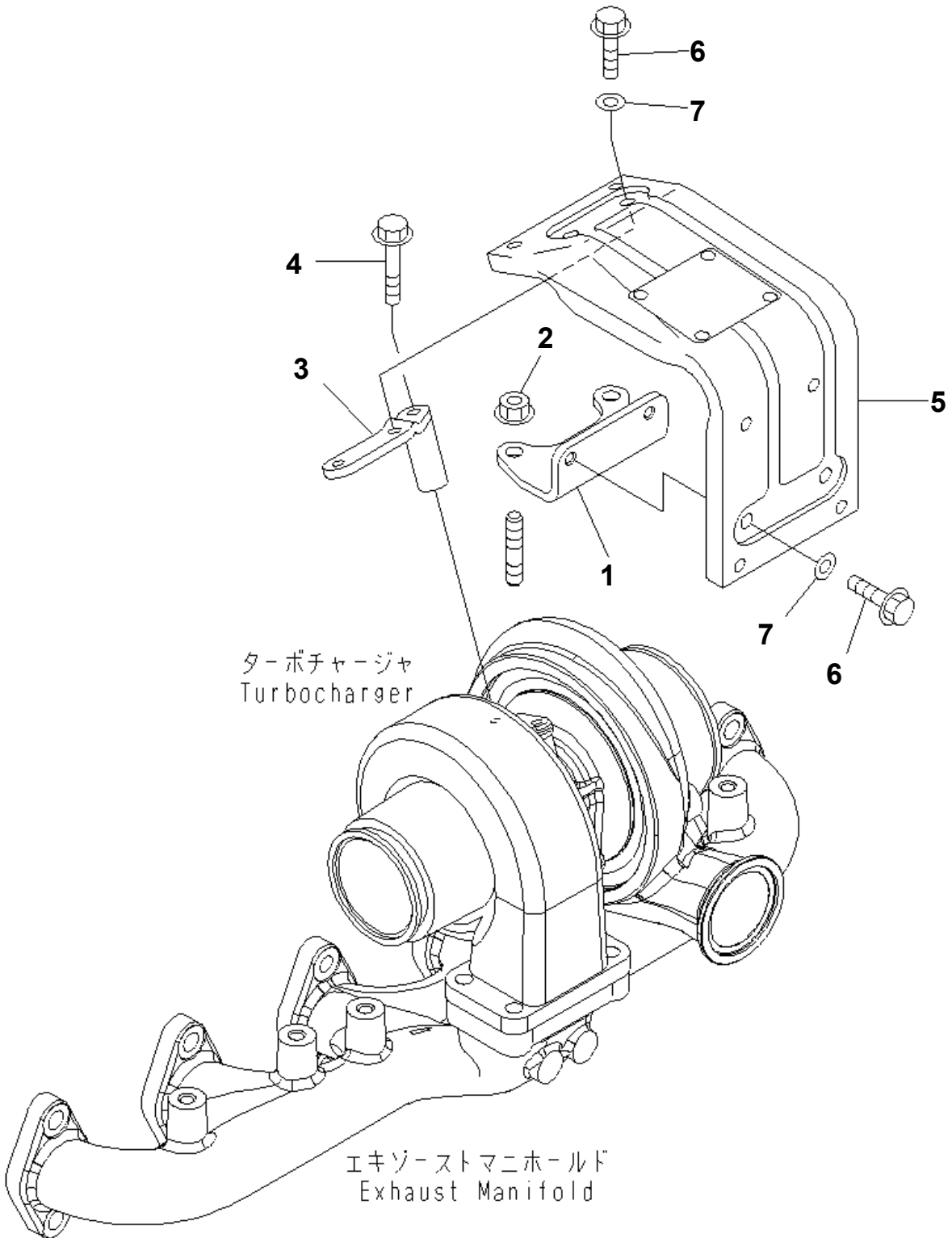
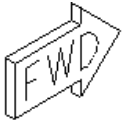
<https://www.ebooklibonline.com>

If the above button click is invalid. Please download this document first, and then click the above link to download the complete manual.

Thank you so much for reading

**PW200-7E0 S/N H55051-UP
TURBOCHARGER**

Item	Part No.	Description	Qty	Options
1	6732-81-8810	STUD	2	SN:21714812--
2	6738-82-8810	STUD	2	SN:21714812--
3	6732-81-8820	NUT	4	SN:21714812--
	6754-81-8170	TURBOCHARGER KIT	1	SN:21714812--
4	☆	· TURBOCHARGER	1	SN:21714812--
5	6754-51-8121	· GASKET	1	SN:21714812--
	6754-51-8120	· GASKET,OIL DRAIN	1	SN:21714812--
6	6754-81-8710	· GASKET,TURBOCHARGER	1	SN:21714812--
7	6738-11-4370	· O-RING	1	SN:21714812--
8	6736-51-8710	· O-RING	1	SN:21714812--



<https://www.ebooklibonline.com>

Hello dear friend!

Thank you very much for reading.

Enter the link into your browser.

The full manual is available for immediate download.

<https://www.ebooklibonline.com>