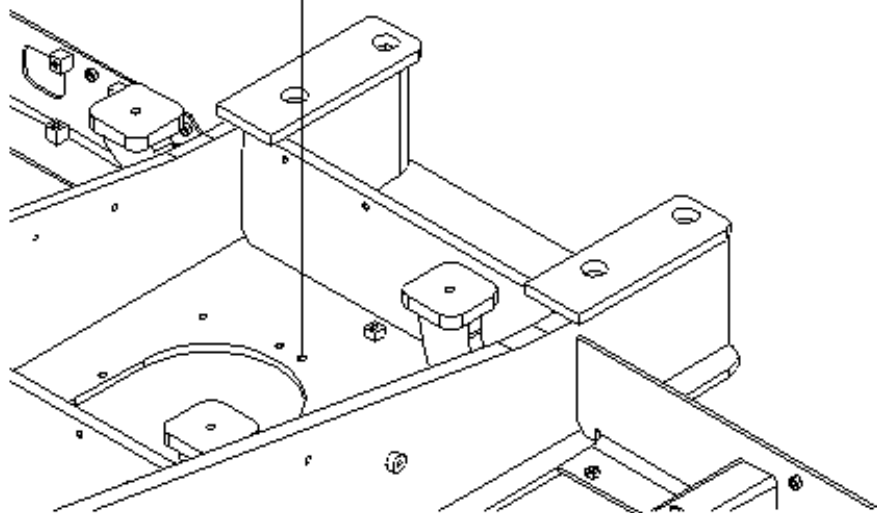
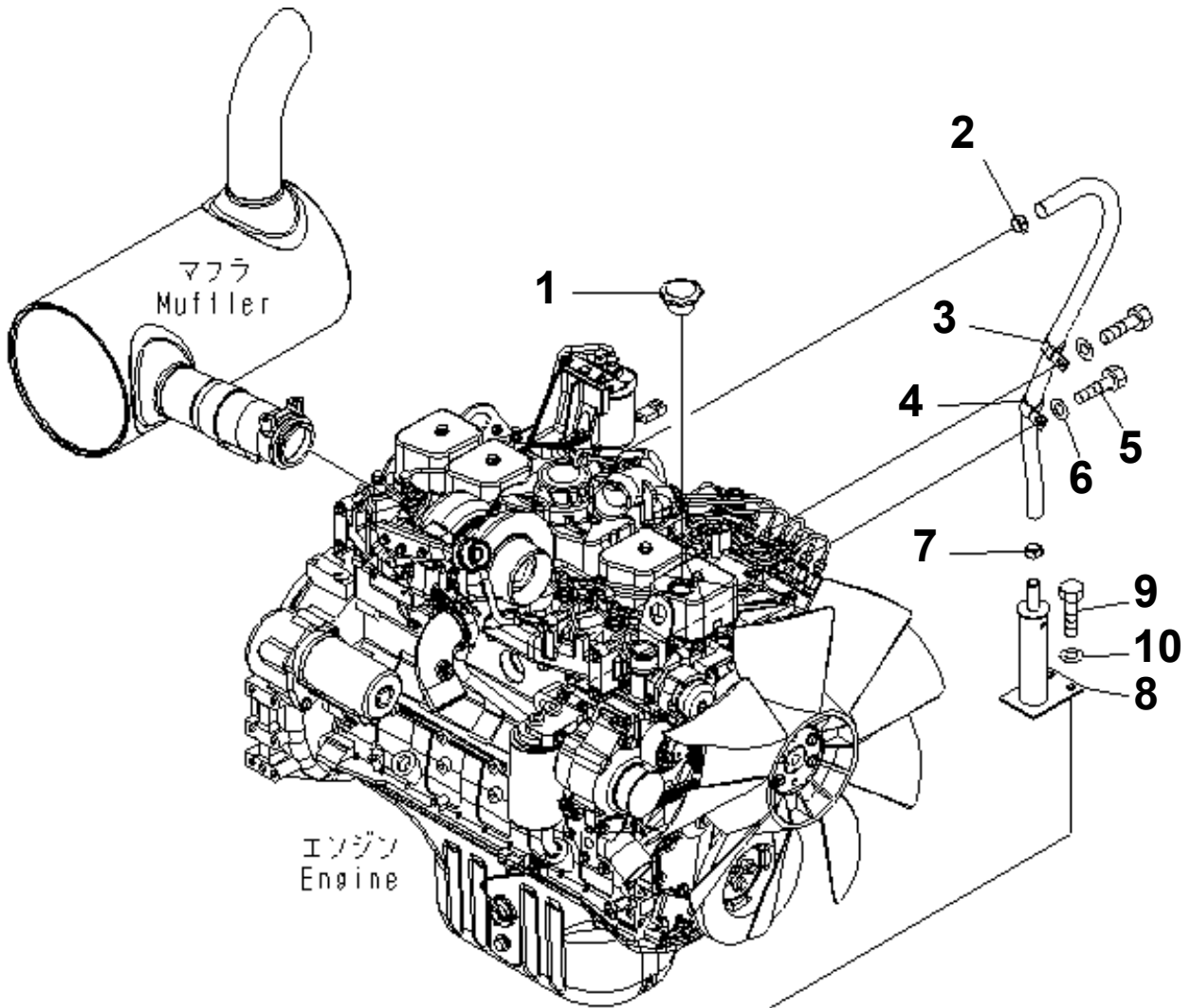


PW180-7K S/N K40001-UP
KOMATSU PW180-7K S/N K40001-UP

Item	Description	Book	Page
	SAA6D102E-2-18 ENGINE S/N 21494941-UP	saa6d1eu	
B0	ENGINE RELATED PARTS		030000
C0	COOLING SYSTEM		060000
D0	FUEL TANK AND RELATED PARTS		090000
E0	ELECTRICAL SYSTEM		120000
F0	POWER TRAIN		150000
H0	HYDRAULIC SYSTEM		180000
J0	MAIN/REVOLVING FRAME AND RELATED PARTS		210000
K0	OPERATOR'S COMPARTMENT AND CONTROL SYSTEM		240000
M0	GUARD		270000
N0	SWING CIRCLE AND RELATED PARTS		300000
P0	TRAVEL AND LOWER PIPING		330000
S0	SUSPENTION AND WHEEL		360000
T0	WORK EQUIPMENT		390000
U0	MARKS AND PLATES		420000
V0	ACCESSORY		450000
W0	MISCELLANEOUS		480000
Y0	SERVICE KIT AND COMPONENT PARTS		510000

**PW180-7K S/N K40001-UP
ENGINE RELATED PARTS**

Item	Description	Qty	Page
10	ENGINE RELATED PARTS	1	030010
20	ENGINE MOUNTING	1	030020
30	AIR CLEANER AND CONNECTION	1	030030
40	MUFFLER	1	030040
50	FUEL CONTROL	1	030050
60	WIRING (ENGINE HARNESS)	1	030060
70	DAMPER	1	030070
80	TURBO COVER	1	030080



<https://www.ebooklibonline.com>

Hello dear friend!

Thank you very much for reading.

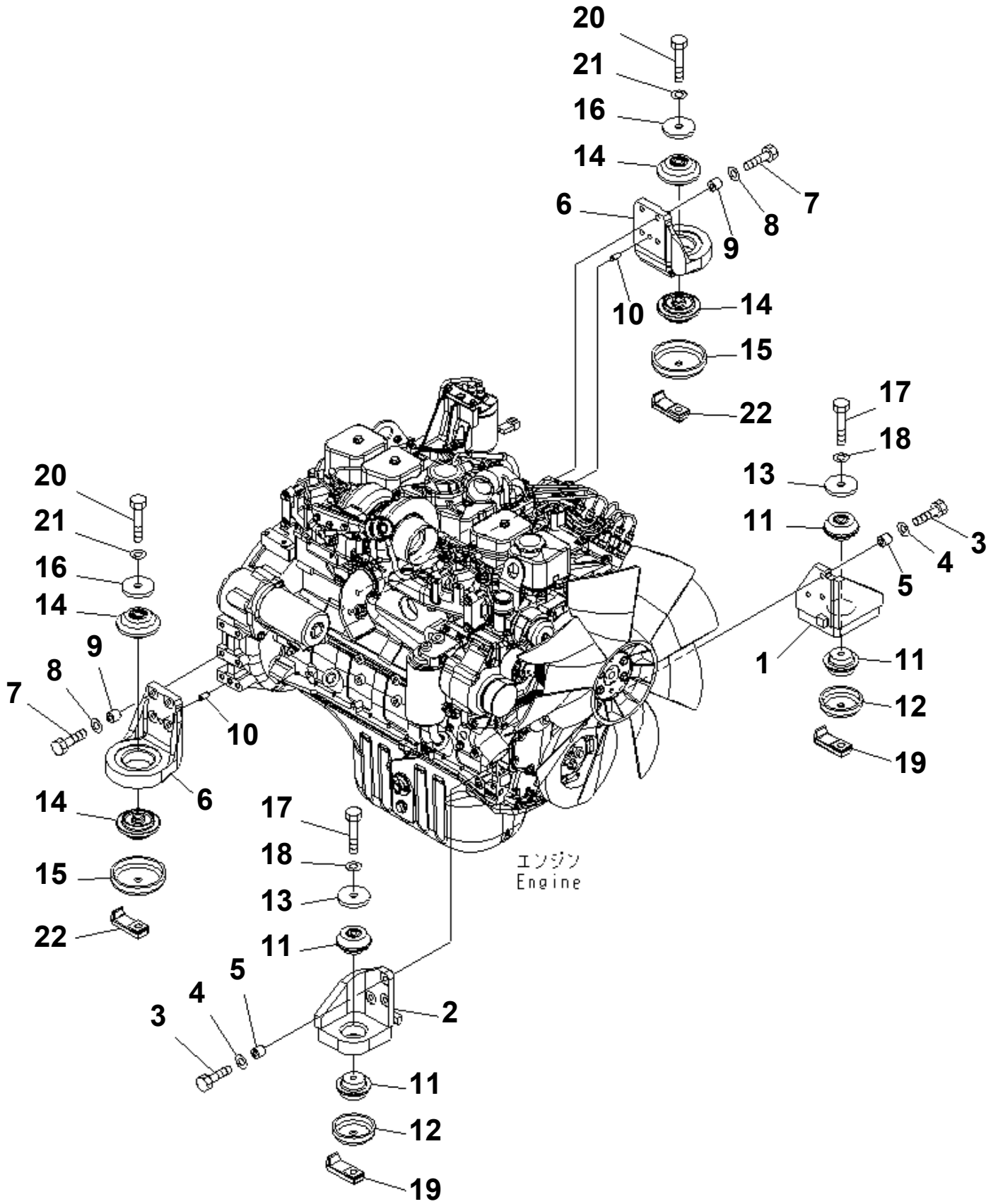
Enter the link into your browser.

The full manual is available for immediate download.

<https://www.ebooklibonline.com>

**PW180-7K S/N K40001-UP
ENGINE RELATED PARTS**

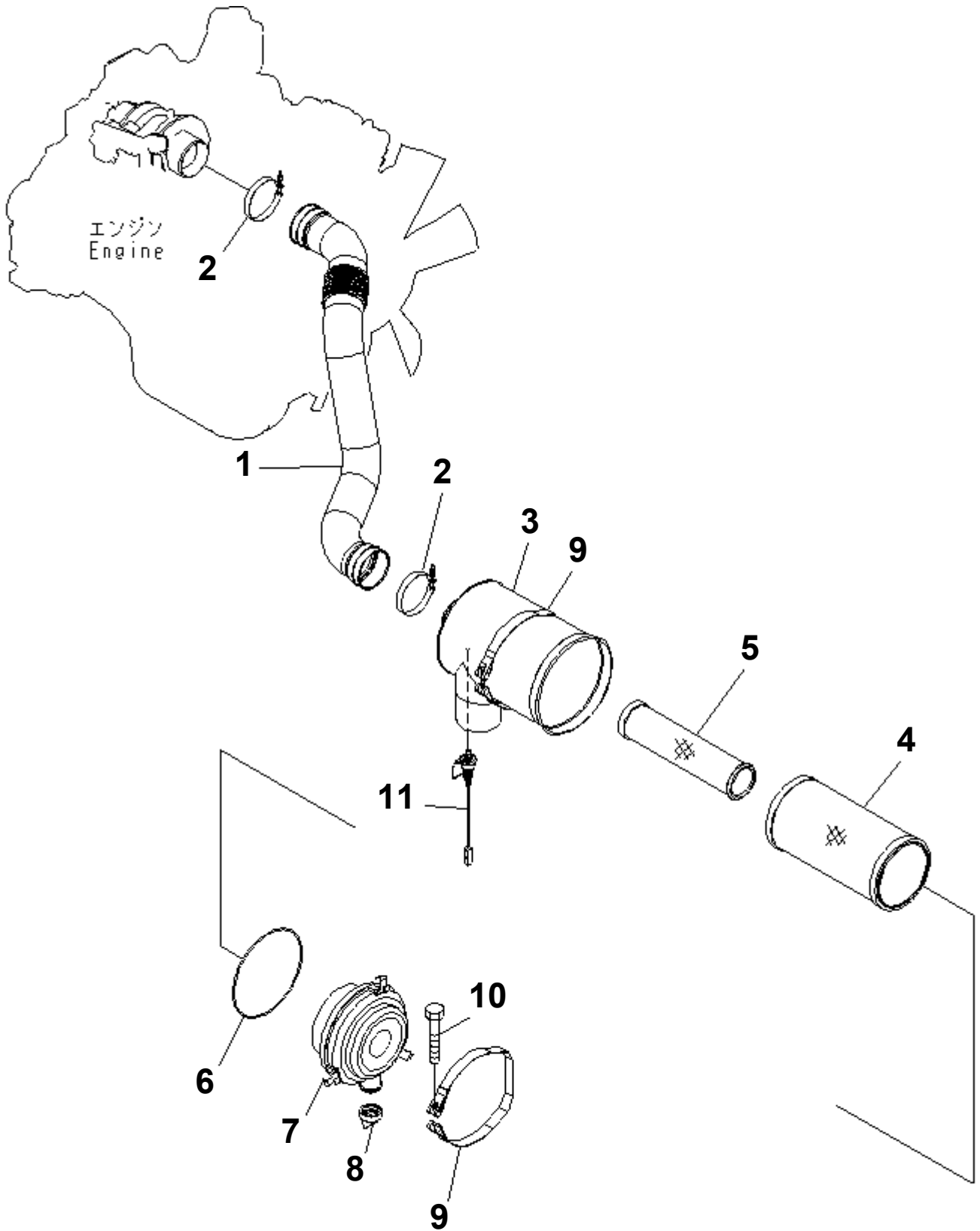
Item	Part No.	Description	Qty	Options
1	6130-12-8610	CAP	1	SN:K40001--
2	07285-00230	CLIP	1	SN:K40001--
3	04434-52712	CLIP	1	SN:K40001--
4	04434-52712	CLIP	1	SN:K40001--
5	01010-81220	BOLT	1	SN:K40001--
6	01643-31232	WASHER	1	SN:K40001--
7	07285-00230	CLIP	1	SN:K40001--
8	20K-01-31630	VENT ASS'Y	1	SN:K40001--
9	01010-81220	BOLT	2	SN:K40001--
10	01643-31232	WASHER	2	SN:K40001--



0 0 0 3 3 4 4 1

**PW180-7K S/N K40001-UP
ENGINE MOUNTING**

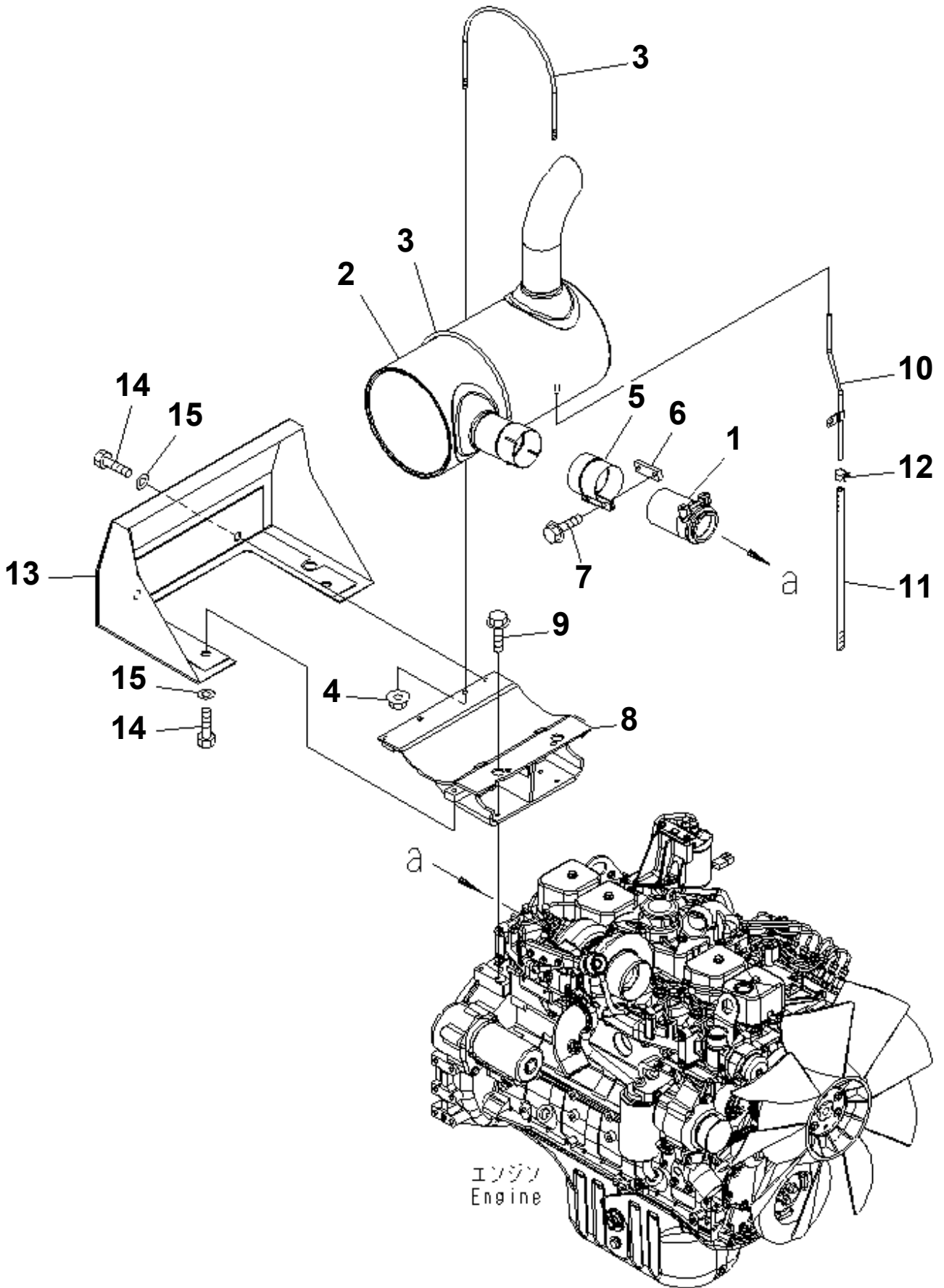
Item	Part No.	Description	Qty	Options
1	20Y-01-K1741	BRACKET,L.H.	1	SN:K40001--
2	20Y-01-K1750	BRACKET,R.H.	1	SN:K40001--
3	01010-81265	BOLT	6	SN:K40001--
4	01643-31232	WASHER	6	SN:K40001--
5	6131-22-3750	BOSS	6	SN:K40001--
6	20Y-01-22121	BRACKET	2	SN:K40001--
7	01010-81265	BOLT	8	SN:K40001--
8	01643-31232	WASHER	8	SN:K40001--
9	6131-22-3750	BOSS	8	SN:K40001--
10	04020-01228	PIN,DOWEL	2	SN:K40001--
11	20Y-01-12210	CUSHION	4	SN:K40001--
12	20J-01-11130	STOPPER	2	SN:K40001--
13	20Y-01-11141	WASHER	2	SN:K40001--
14	20Y-01-12222	CUSHION	4	SN:K40001--
15	20Y-01-12161	STOPPER	2	SN:K40001--
16	20Y-01-11141	WASHER	2	SN:K40001--
17	01011-B1655	BOLT	2	SN:K40001--
18	01643-31645	WASHER	2	SN:K40001--
19	20Y-01-22111	NUT	2	SN:K40001--
20	01011-B1655	BOLT	2	SN:K40001--
21	01643-31645	WASHER	2	SN:K40001--
22	20Y-01-22111	NUT	2	SN:K40001--



0 0 0 3 3 4 4 2

PW180-7K S/N K40001-UP
AIR CLEANER AND CONNECTION

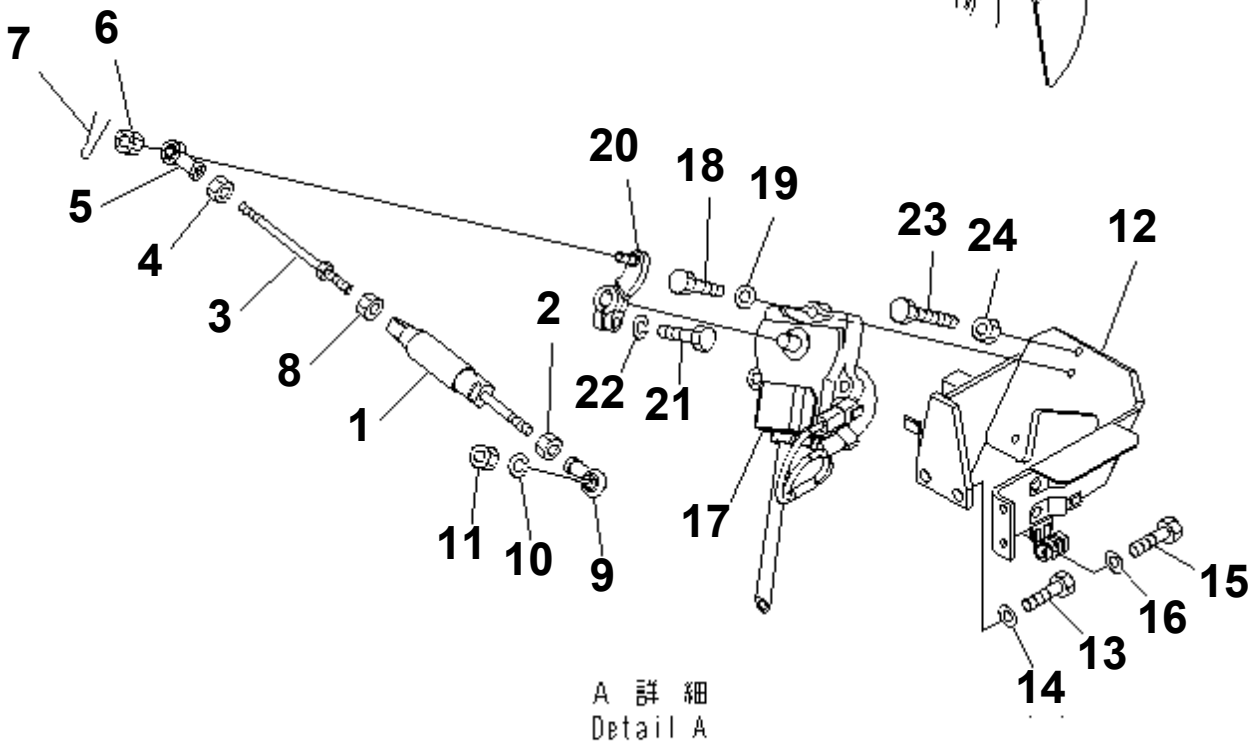
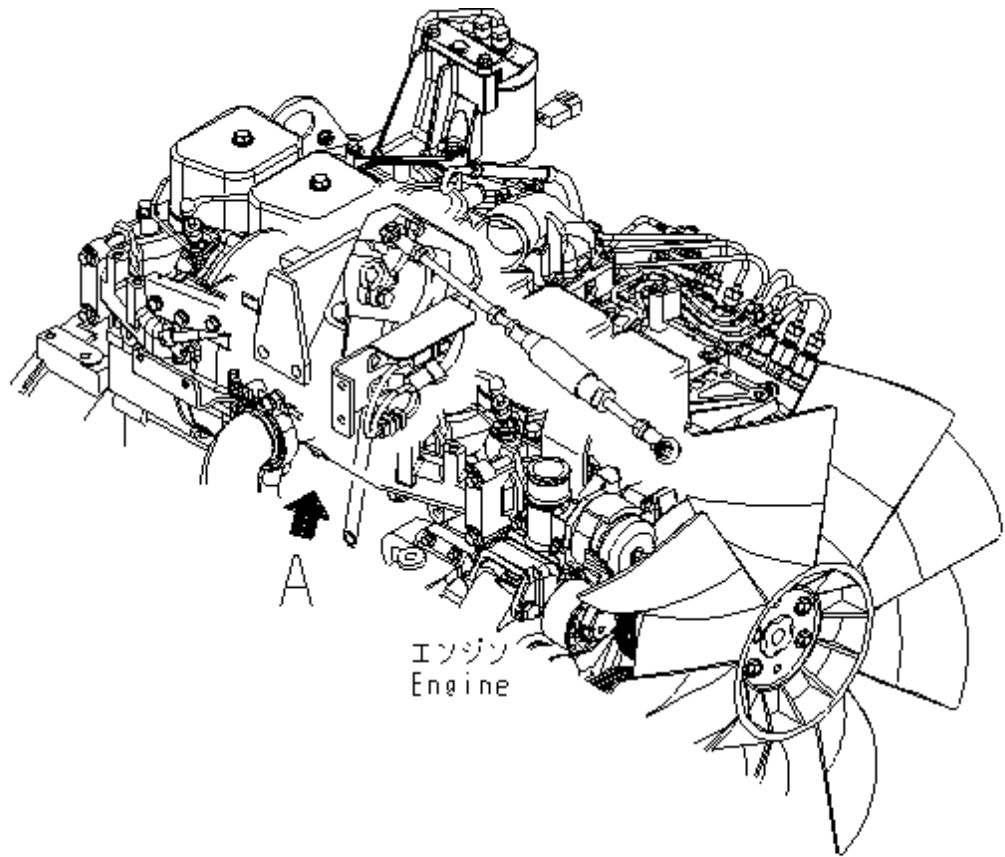
Item	Part No.	Description	Qty	Options
1	20Y-01-31151	HOSE	1	SN:K40001--
2	07299-00105	CLAMP	2	SN:K40001--
	6738-81-7100	AIR CLEANER	1	SN:K40001--
3	6738-81-7110	· BODY	1	SN:K40001--
	600-185-3100	· ELEMENT ASS'Y	1	SN:K40001--
4	☆	· · ELEMENT, OUTER	1	SN:K40001--
5	☆	· · ELEMENT, INNER	1	SN:K40001--
6	600-184-1370	· · O-RING	1	SN:K40001--
7	600-184-1310	· COVER ASS'Y	1	SN:K40001--
	600-184-2810	· · PLATE	1	SN:K40001--
8	600-184-1350	· VALVE	1	SN:K40001--
9	6131-11-4520	BAND ASS'Y	2	SN:K40001--
10	6643-11-4641	BOLT	2	SN:K40001--
11	7861-93-1420	SENSOR	1	SN:K40001--



0 0 0 3 3 4 4 3

**PW180-7K S/N K40001-UP
MUFFLER**

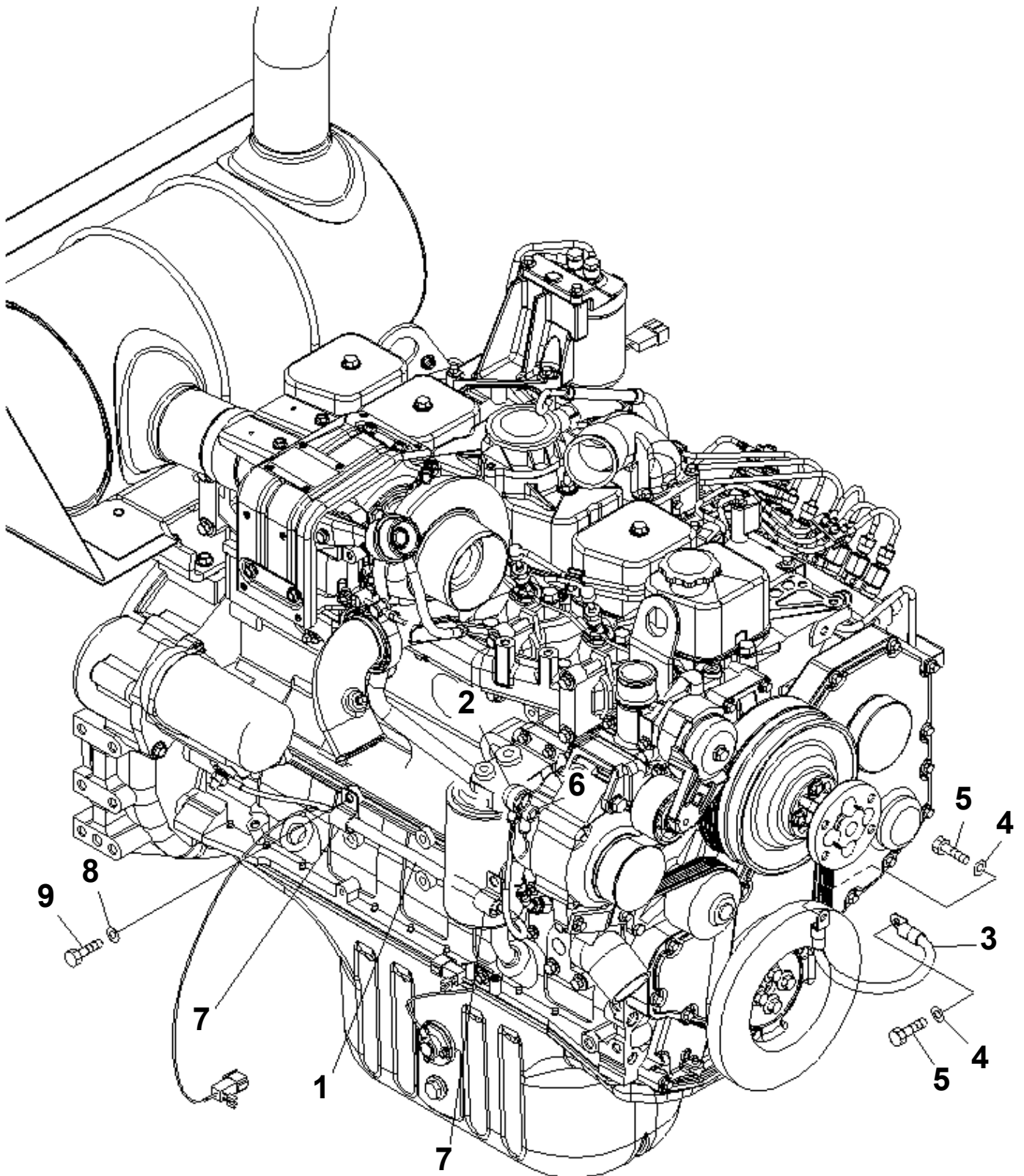
Item	Part No.	Description	Qty	Options
1	6735-11-5611	TUBE	1	SN:K40001--
2	6738-11-5510	MUFFLER	1	SN:K40001--
3	6222-11-5940	U-BOLT	2	SN:K40001--
4	01594-01008	NUT	4	SN:K40001--
5	6210-11-5232	CLAMP	1	SN:K40001--
6	6206-11-5850	PLATE	1	SN:K40001--
7	01435-01235	BOLT	2	SN:K40001--
8	22U-01-11210	BRACKET	1	SN:K40001--
9	01435-01025	BOLT	4	SN:K40001--
10	6209-11-5480	TUBE	1	SN:K40001--
11	07260-20945	HOSE	1	SN:K40001--
12	07285-00155	CLIP	1	SN:K40001--
13	22U-54-17360	COVER	1	SN:K40001--
14	01010-81225	BOLT	4	SN:K40001--
15	01643-31232	WASHER	4	SN:K40001--



0 0 0 3 3 4 4 4

**PW180-7K S/N K40001-UP
FUEL CONTROL**

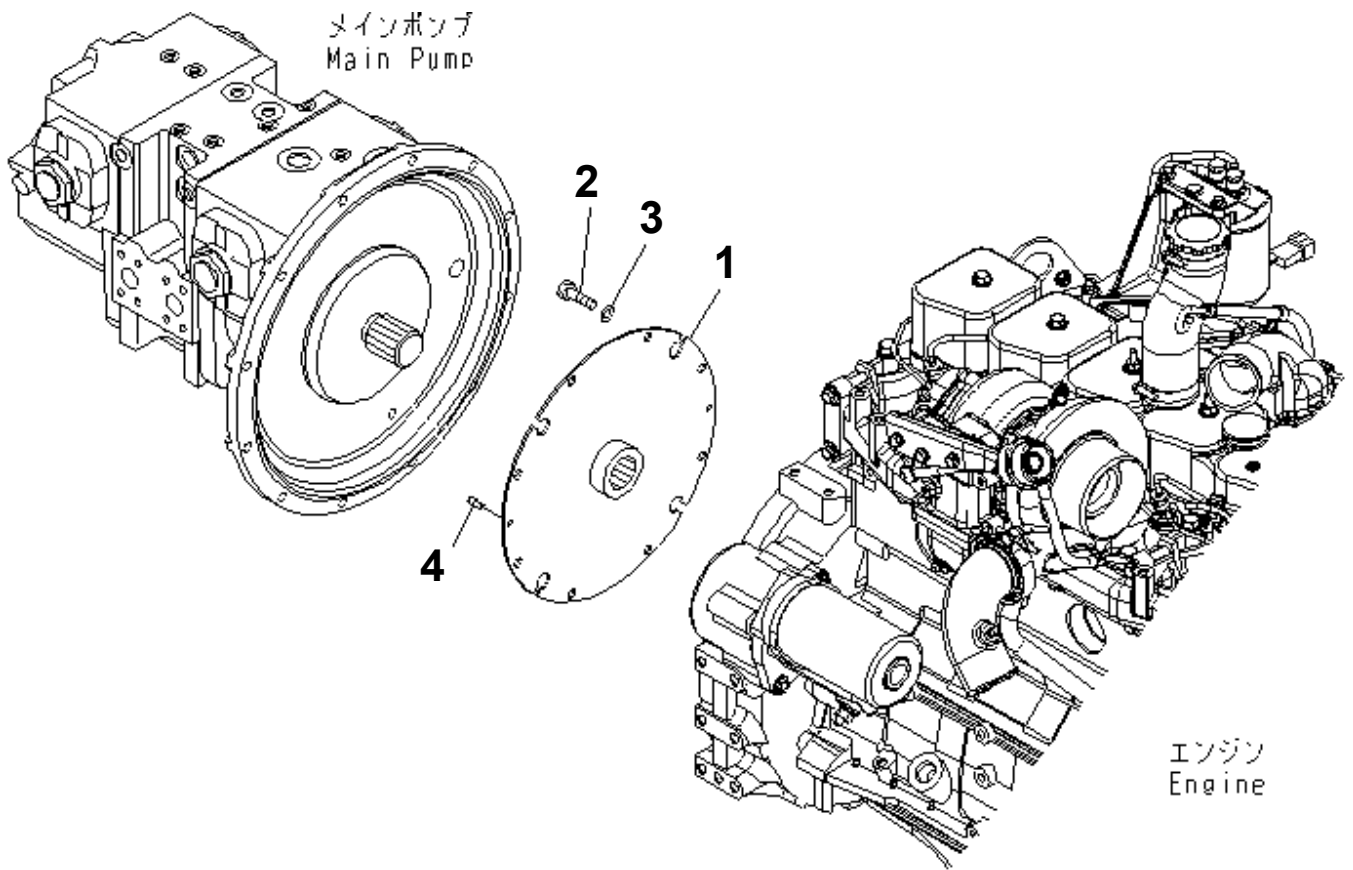
Item	Part No.	Description	Qty	Options
1	20Y-43-23441	SPRING ASS'Y	1	SN:K40001--
2	01582-11008	NUT	1	SN:K40001--
3	04248-31018	ROD	1	SN:K40001--
4	01508-41006	NUT,L.H. THREAD	1	SN:K40001--
5	04250-91056	END,L.H. THREAD	1	SN:K40001--
6	01593-31008	NUT	1	SN:K40001--
7	04050-12018	PIN,COTTER	1	SN:K40001--
8	01582-11008	NUT	1	SN:K40001--
9	20Y-43-12180	JOINT	1	SN:K40001--
10	01602-20619	WASHER,SPRING	1	SN:K40001--
11	01580-10605	NUT	1	SN:K40001--
12	20Y-43-31311	BRACKET	1	SN:K40001--
13	01010-81230	BOLT	2	SN:K40001--
14	01643-31232	WASHER	2	SN:K40001--
15	01010-80820	BOLT	2	SN:K40001--
16	01643-30823	WASHER	2	SN:K40001--
17	7834-41-2002	MOTOR ASS'Y	1	SN:K40001--
18	01010-81040	BOLT	3	SN:K40001--
19	01643-31032	WASHER	3	SN:K40001--
20	20Y-43-12143	LEVER	1	SN:K40001--
21	01010-81030	BOLT	1	SN:K40001--
22	01602-21030	WASHER,SPRING	1	SN:K40001--
23	01016-51075	BOLT	1	SN:K40001--
24	01580-11008	NUT	1	SN:K40001--



0 0 0 3 4 8 1 6

**PW180-7K S/N K40001-UP
WIRING (ENGINE HARNESS)**

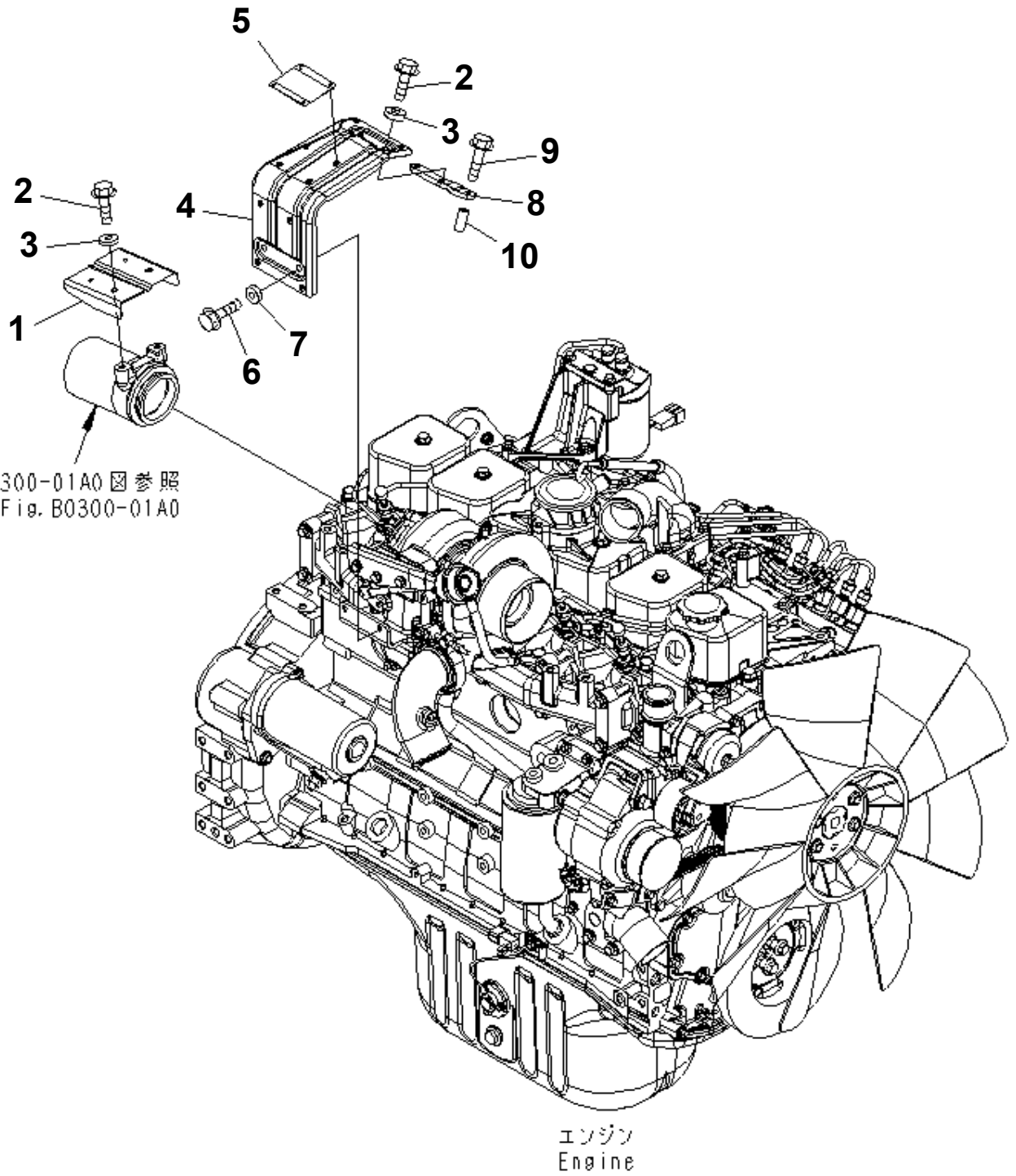
Item	Part No.	Description	Qty	Options
1	20J-06-11271	WIRING HARNESS	1	SN:K40001--
2	08038-10525	CAP	1	SN:K40001--
3	08028-42035	CABLE	1	SN:K40001--
4	01643-31032	WASHER	2	SN:K40001--
5	01010-81020	BOLT	2	SN:K40001--
6	08038-10519	CAP	1	SN:K40001--
7	08036-91814	CLIP	2	SN:K40001--
8	01643-31232	WASHER	2	SN:K40001--
9	01010-81220	BOLT	2	SN:K40001--



0 0 0 0 3 2 0 3

**PW180-7K S/N K40001-UP
DAMPER**

Item	Part No.	Description	Qty	Options
1	22U-01-21310	DISK DAMPER	1	SN:K40001--
2	01010-B1020	BOLT	8	SN:K40001--
3	01643-31032	WASHER	8	SN:K40001--
4	203-01-51120	PIN	2	SN:K40001--



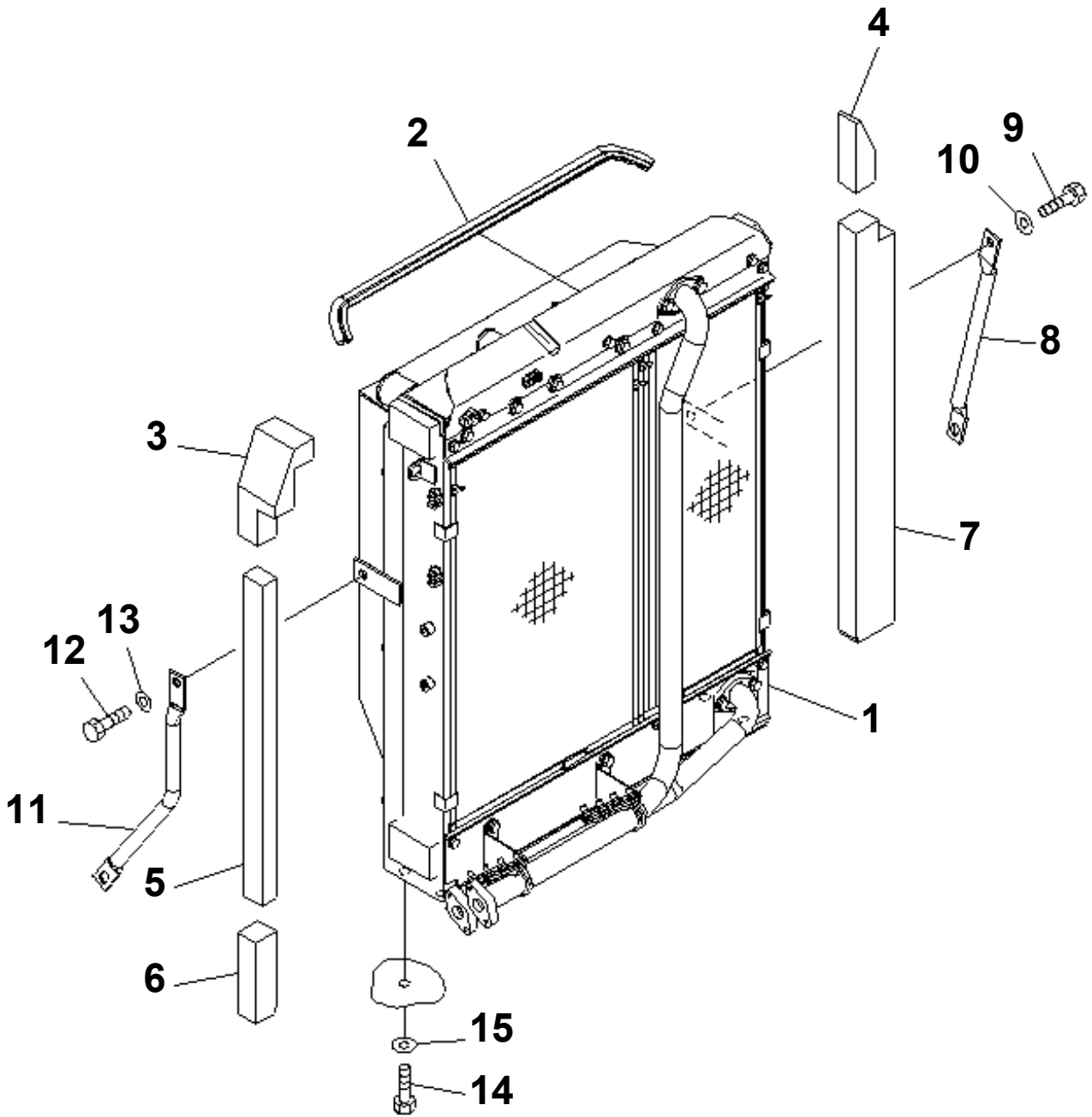
0 0 0 3 3 4 4 5

**PW180-7K S/N K40001-UP
TURBO COVER**

Item	Part No.	Description	Qty	Options
1	6732-81-8450	COVER	1	SN:K40001--
2	01435-00816	BOLT	2	SN:K40001--
3	6201-81-6560	SPACER	2	SN:K40001--
4	6732-81-8411	COVER	1	SN:K40001--
5	09817-A0753	· PLATE?SAFETY	1	SN:K40001--
6	01435-00816	BOLT	4	SN:K40001--
7	6201-81-6560	SPACER	4	SN:K40001--
8	6738-81-8440	BRACKET	1	SN:K40001--
9	01435-00845	BOLT	1	SN:K40001--
10	6732-81-8440	SPACER	1	SN:K40001--

**PW180-7K S/N K40001-UP
COOLING SYSTEM**

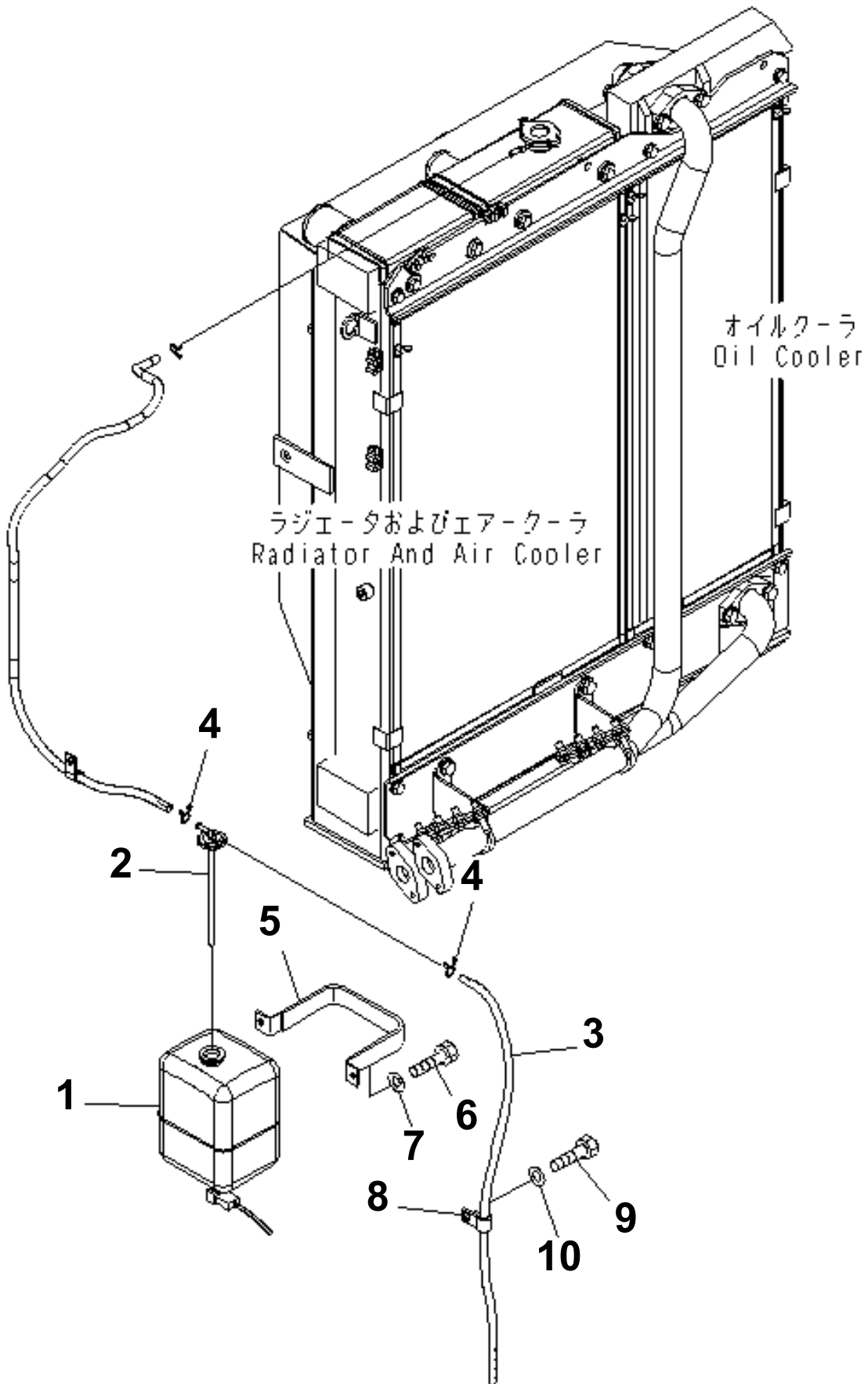
Item	Description	Qty	Page
10	COOLING (OIL COOLER?RADIATOR AND CHARGE OIL COOLER)	1	060010
20	COOLING (SUB TANK)	1	060020
30	COOLING (RADIATOR AND CHARGE OIL COOLER HOSE)	1	060030
40	COOLING (RADIATOR INNER PARTS)	1	060040
50	FAN	1	060050
60	FAN GUARD	1	060060



0 0 0 3 3 4 4 6

PW180-7K S/N K40001-UP
COOLING (OIL COOLER?RADIATOR AND CHARGE OIL COOLER)

Item	Part No.	Description	Qty	Options
1	(20J-03-11101)	COOLER ASS'Y	1	SN:K40001--
2	20J-03-11631	SEAL	1	SN:K40001--
3	20J-03-11661	SHEET	1	SN:K40001--
4	20J-03-11670	SHEET	1	SN:K40001--
5	20J-03-11680	SHEET	1	SN:K40001--
6	20J-03-11690	SHEET	1	SN:K40001--
7	20J-03-11710	SHEET	1	SN:K40001--
8	20J-03-11720	STAY	1	SN:K40001--
9	01010-81635	BOLT	2	SN:K40001--
10	01643-31645	WASHER	2	SN:K40001--
11	20J-03-11641	STAY	1	SN:K40001--
12	01010-81635	BOLT	2	SN:K40001--
13	01643-31645	WASHER	2	SN:K40001--
14	01010-81635	BOLT	4	SN:K40001--
15	01643-31645	WASHER	4	SN:K40001--



**PW180-7K S/N K40001-UP
COOLING (SUB TANK)**

Item	Part No.	Description	Qty	Options
1	20Y-06-15240	TANK ASS'Y	1	SN:K40001--
2	205-03-71532	· CAP	1	SN:K40001--
	205-03-71540	· · PACKING	1	SN:K40001--
3	20K-03-31750	HOSE	1	SN:K40001--
4	206-03-43340	CLIP	2	SN:K40001--
5	20E-03-K1110	BRACKET	1	SN:K40001--
6	01010-80820	BOLT	2	SN:K40001--
7	01643-30823	WASHER	2	SN:K40001--
8	04434-51512	CLIP	1	SN:K40001--
9	01010-81225	BOLT	1	SN:K40001--
10	01643-31232	WASHER	1	SN:K40001--



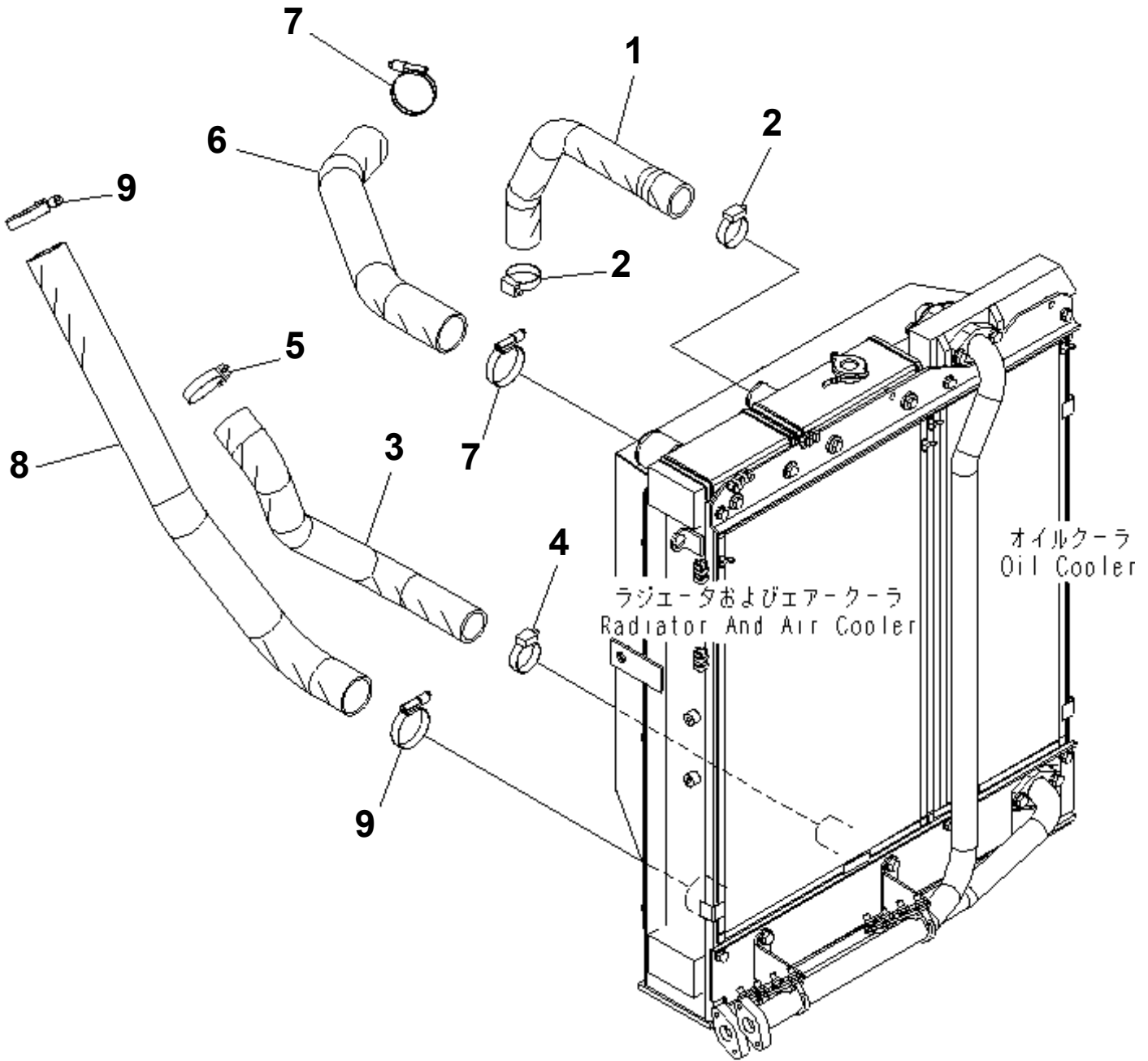
Suggest:

For more complete manuals. Please go to the home page.

<https://www.ebooklibonline.com>

If the above button click is invalid. Please download this document first, and then click the above link to download the complete manual.

Thank you so much for reading



0 0 0 3 3 4 4 8

PW180-7K S/N K40001-UP
COOLING (RADIATOR AND CHARGE OIL COOLER HOSE)

Item	Part No.	Description	Qty	Options
1	20J-03-11610	HOSE	1	SN:K40001--
2	07289-00055	CLAMP	2	SN:K40001--
3	20J-03-11621	HOSE	1	SN:K40001--
4	07289-00055	CLAMP	1	SN:K40001--
5	07289-00070	CLAMP	1	SN:K40001--
6	20J-03-11580	HOSE	1	SN:K40001--
7	07299-00070	CLAMP	2	SN:K40001--
8	20J-03-11590	HOSE	1	SN:K40001--
9	07299-00070	CLAMP	2	SN:K40001--

<https://www.ebooklibonline.com>

Hello dear friend!

Thank you very much for reading.

Enter the link into your browser.

The full manual is available for immediate download.

<https://www.ebooklibonline.com>