

**PC350HD S/N A00001 and up
PC350HD S/N A00001 and up**

DESCRIPTION

**ENGINE
ENGINE RELATED PARTS
COOLING SYSTEM
FUEL TANK AND RELATED PARTS
ELECTRICAL SYSTEM
HYDRAULIC SYSTEM
MAIN/REVOLVING FRAME AND RELATED PARTS
OPERATOR'S COMPARTMENT AND CONTROL SYSTEM
GUARD
SWING CIRCLE AND RELATED PARTS
TRAVEL AND LOWER PIPING
UNDERCARRIAGE
WORK EQUIPMENT
MARKS AND PLATES**

PC350HD S/N A00001 and up

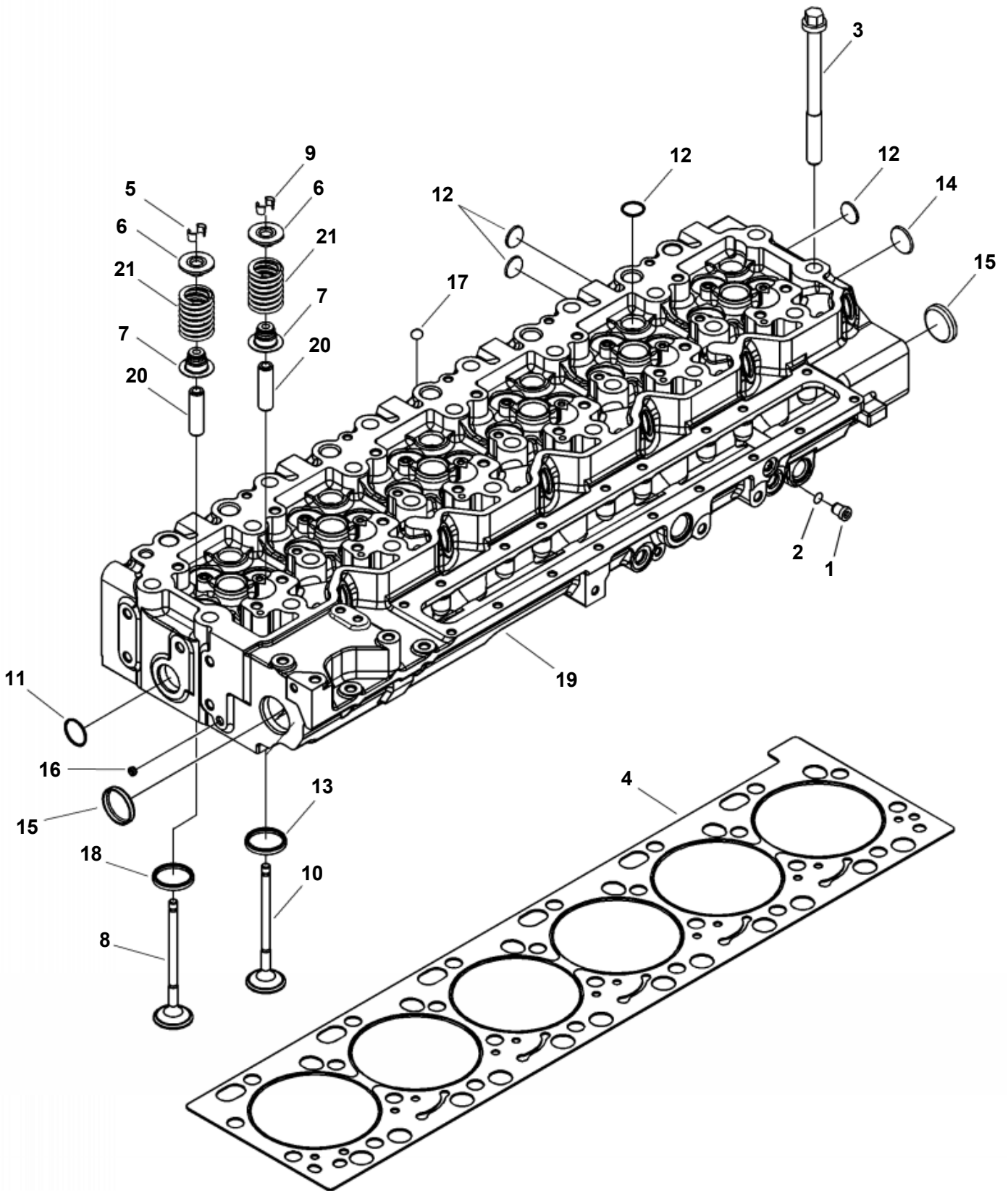
ENGINE

DESCRIPTION

CYLINDER HEAD
ROCKER LEVER
VALVE COVER
CRANKCASE BREATHER
EXHAUST MANIFOLD
TURBOCHARGER MOUNTING NEW RELEASE
TURBOCHARGER MOUNTING ORIGINAL RELEASE
TURBOCHARGER OIL PIPING
TURBOCHARGER NEW RELEASE
TURBOCHARGER ORIGINAL RELEASE
AIR TRANSFER CONNECTION
AIR INTAKE MANIFOLD COVER
AIR INTAKE HEATER AND CONNECTION
EXHAUST CONNECTION
CYLINDER BLOCK ACCESS HOLE COVER AND OIL DRAIN CONNECTION
CYLINDER BLOCK COOLANT PLUG
CYLINDER BLOCK TORQUE CONVERTER OIL COOLER PLUG
CYLINDER BLOCK COOLANT HEATER STARTING AID PLUG
CYLINDER BLOCK CAB HEATER PLUGS
CYLINDER BLOCK ENGINE COOLANT VENT
CYLINDER BLOCK
FRONT GEAR HOUSING AND COVER
FRONT GEAR TRAIN ACCESSORY COVER
OIL PAN AND SUCTION TUBE
FLYWHEEL AND MOUNTING
CRANKSHAFT
VIBRATION DAMPER
PISTON AND CONNECTING ROD
CAMSHAFT
OIL LEVEL GAUGE
LUBRICATING OIL PUMP
LUBRICATING OIL FILTER AND PIPING
LUBRICATING OIL COOLER
FUEL INJECTION PIPING
FUEL PIPING
FUEL FILTER PIPING
FUEL FILTER
FUEL INJECTOR CONNECTOR COVERS
FUEL INJECTOR
FUEL PUMP MOUNTING
FUEL PUMP
FUEL TRANSFER PUMP
FUEL INLET FITTING
ENGINE CONTROL MODULE AND SENSORS
ENGINE CONTROL MODULE PIPING
WATER PUMP
WATER INLET CONNECTION
THERMOSTAT AND HOUSING
FAN DRIVE PULLEY
FAN DRIVE BELT AND TENSIONER
COOLANT PIPING
COOLING FAN AND MOUNTING
ALTERNATOR BELT TENSIONER
ALTERNATOR DRIVE BELT
ALTERNATOR MOUNTING
STARTING MOTOR MOUNTING
ALTERNATOR 60 A
STARTING MOTOR NIKKO 24V - 11KW
HEAT SHIELD
OIL LEVEL SENSOR
ENGINE CONTROL MODULE WIRING HARNESS
FLYWHEEL HOUSING
ENGINE LIFTING BRACKET
ENGINE ASSEMBLY

FIG A1103-A3A3

A1103-A3A3 CYLINDER HEAD



<https://www.ebooklibonline.com>

Hello dear friend!

Thank you very much for reading.

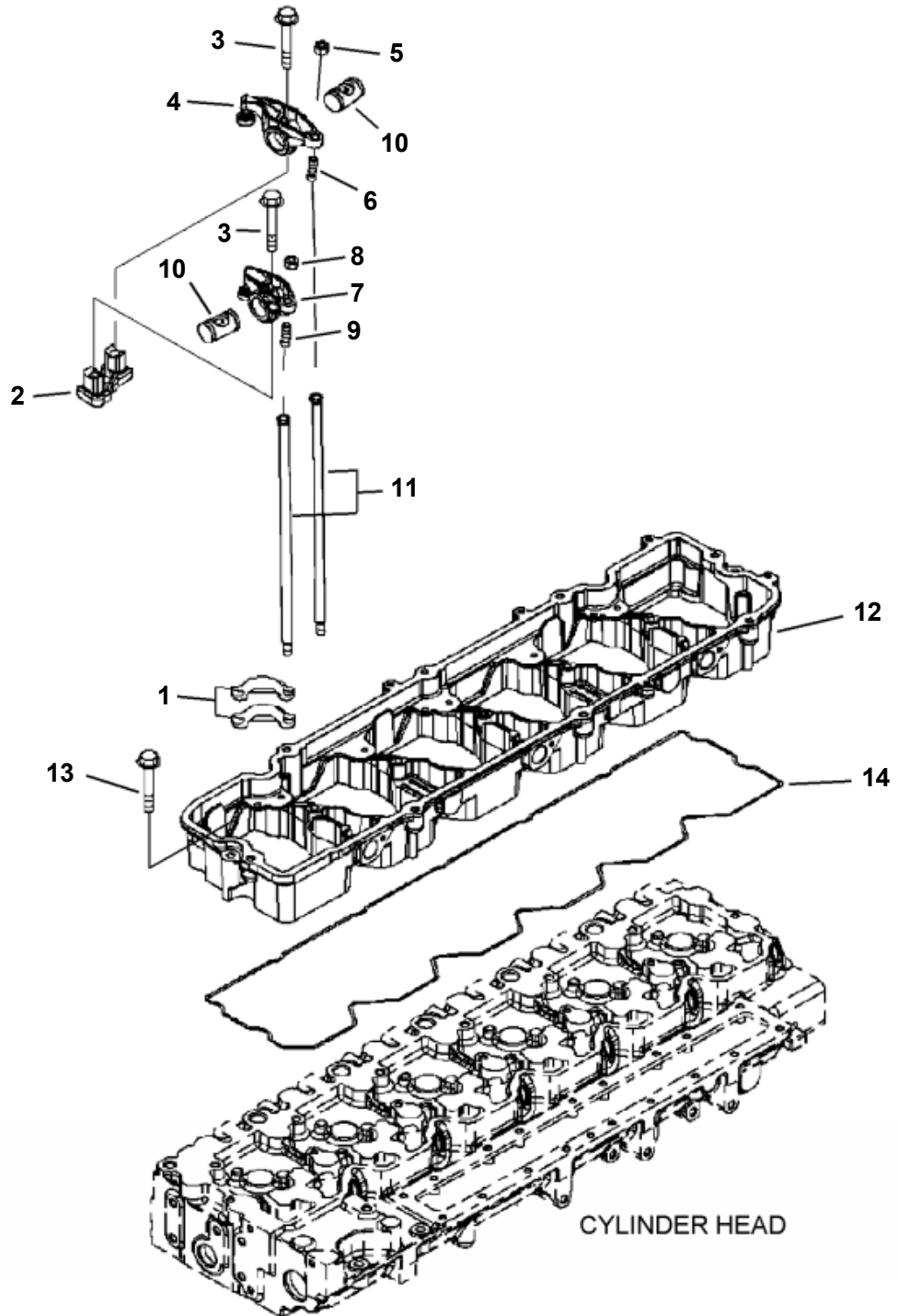
Enter the link into your browser.

The full manual is available for immediate download.

<https://www.ebooklibonline.com>

**PC350HD S/N A00001 and up
A1103-A3A3 CYLINDER HEAD**

ITEM NO.	PART NO.	DESCRIPTION	Q'TY
1	6732-21-1960 (NSS)	PLUG, THREADED · PLUG, THREADED	1 1
2	6735-21-1970	· SEAL, O-RING	1
3	6743-11-1610	BOLT (M14-2.00x160)	26
4	6745-11-1811	GASKET, CYLINDER HEAD	1
	6745-11-1113	HEAD, CYLINDER	1
	6744-41-4060	· KIT, EXHAUST VALVE	1
5	6732-41-4520	· · COLLET, VALVE	48
6	6744-41-4050	· · RETAINER, VALVE SPRING	24
7	6744-41-4080	· · SEAL, VALVE STEM	24
8	(NSS)	· · VALVE, EXHAUST	12
	6744-41-4040	· KIT, INTAKE VALVE	1
9	6732-41-4520	· · COLLET, VALVE	2
10	(NSS)	· · VALVE, INTAKE	12
	6745-11-1121	· HEAD, CYLINDER	1
11	6742-01-2920	· · PLUG, EXPANSION	2
12	6735-21-5530	· · PLUG, EXPANSION	18
13	(NSS)	· · INSERT, VALVE	12
14	6744-41-4110	· · PLUG, EXPANSION	1
15	6744-11-1070	· · PLUG, EXPANSION	2
16	6744-41-4120	· · PLUG, EXPANSION	1
17	6754-11-1160	· · PLUG, EXPANSION	6
18	6745-41-4220	· · INSERT, VALVE	12
19	(NSS)	· · HEAD, CYLINDER	1
20	6744-41-4130	· · GUIDE, VALVE STEM	24
21	6744-41-4031	· SPRING, VALVE	24

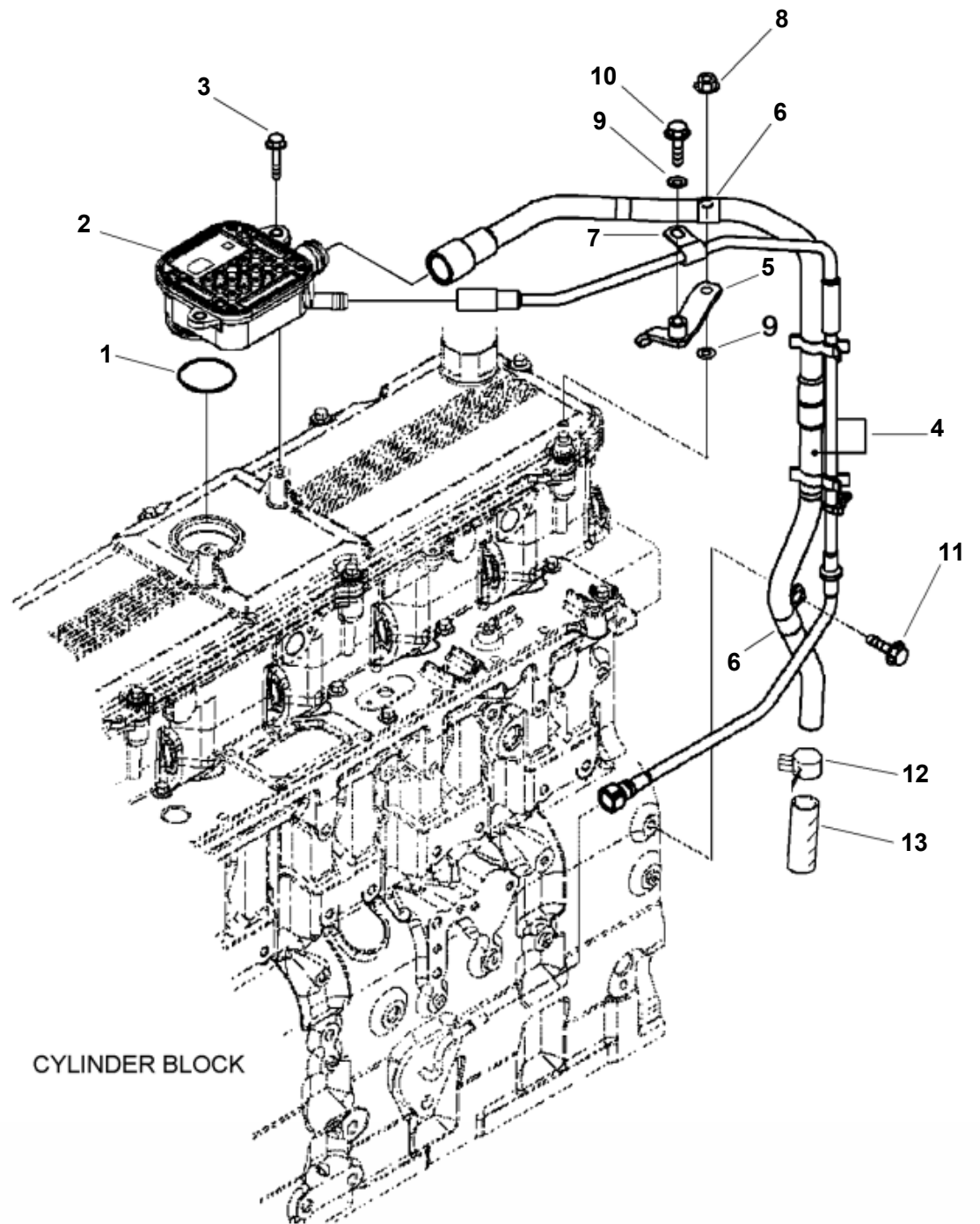


**PC350HD S/N A00001 and up
A1109-A3A0 ROCKER LEVER**

ITEM NO.	PART NO.	DESCRIPTION	Q'TY
1	6744-41-5010	CROSSHEAD, VALVE	12
2	6744-41-5030	SUPPORT, ROCKER LEVER	6
3	6744-41-3020	BOLT	12
4	6745-41-5401	LEVER ASSEMBLY, ROCKER	6
5	6732-41-5430	· NUT	1
6	6745-41-5430	· BOLT	1
7	6745-41-5201	LEVER ASSEMBLY, ROCKER	6
8	6732-41-5430	· NUT	1
9	6745-41-5430	· BOLT	1
10	6745-41-5110	SHAFT, ROCKER LEVER	12
11	6745-41-3100	ROD, PUSH	12
12	6745-11-7112	HOUSING, ROCKER LEVER	1
13	6733-61-3150	BOLT	7
14	6745-11-7810	GASKET, ROCKER LEVER HOUSING	1

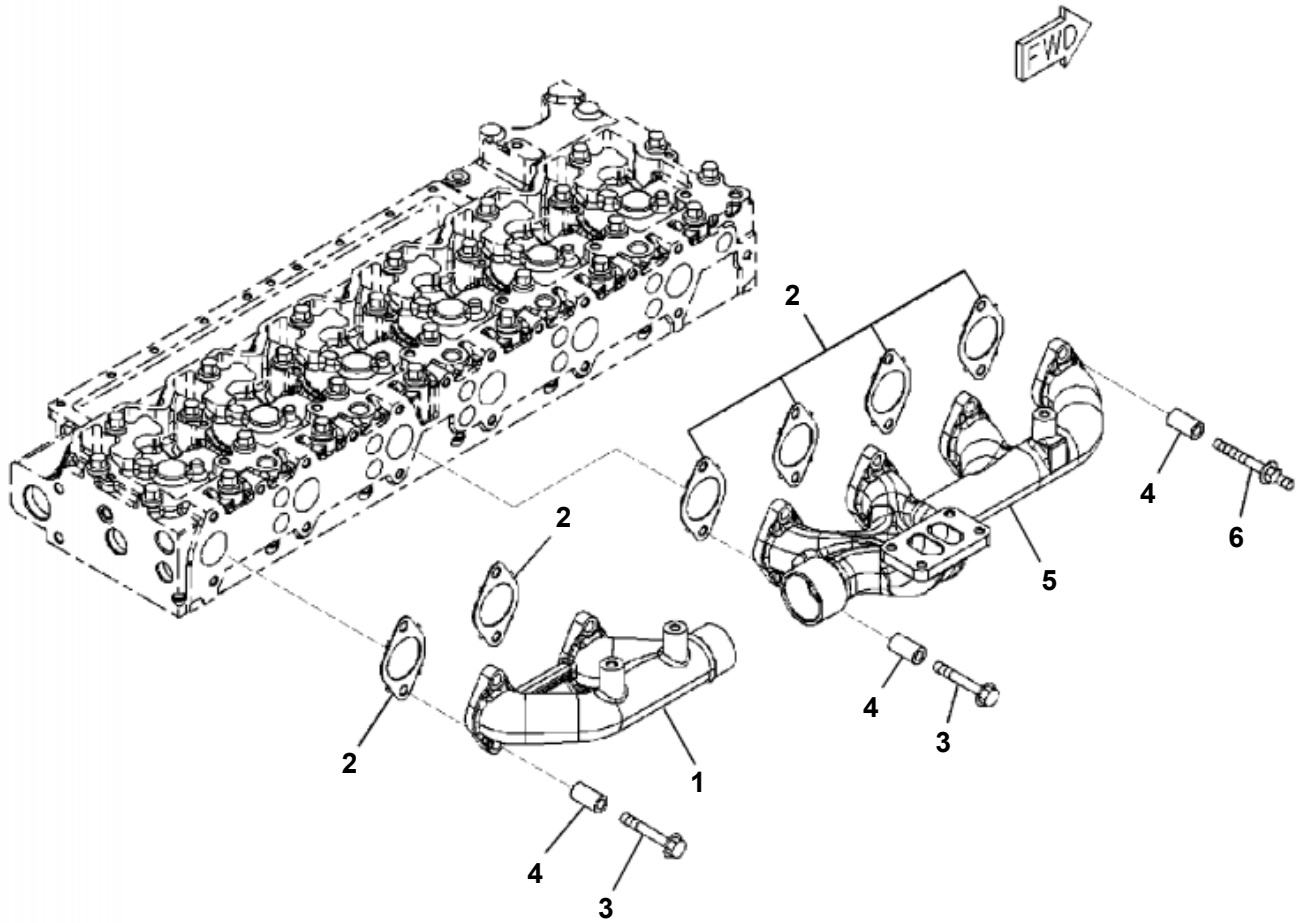
**PC350HD S/N A00001 and up
A1112-A3A0 VALVE COVER**

ITEM NO.	PART NO.	DESCRIPTION	Q'TY
1	6130-12-8610	CAP, FILLER	1
2	6732-61-6140	BOLT (M8-1.25x35)	7
3	6745-11-8160	ISOLATOR, VIBRATION	8
4	6745-11-8170	BOLT	1
	6745-11-8130	TUBE, OIL FILLER	1
5	07002-23634 (NSS)	· SEAL, O-RING · TUBE, OIL FILLER	1 1
6	6754-11-8140	· · TUBE, OIL FILLER	1
7	6745-11-8190	· · ADAPTER, O-RING	1
8	6745-11-8810	GASKET, VALVE COVER	1
	6745-11-8220	COVER, VALVE	1
9	6745-11-8150	· BOLT, SELF TAPPING	3
10	(NSS)	· BAFFLE, BREATHER	1
11	6745-11-8110	· COVER, VALVE	1
12		SEAL, O-RING (SEE FIG. A1115-A3A0)	
13		HOUSING, BREATHER (SEE FIG. A1115-A3A0)	
14		BOLT (SEE FIG. A1115-A3A0)	



PC350HD S/N A00001 and up
A1115-A3A0 CRANKCASE BREATHER

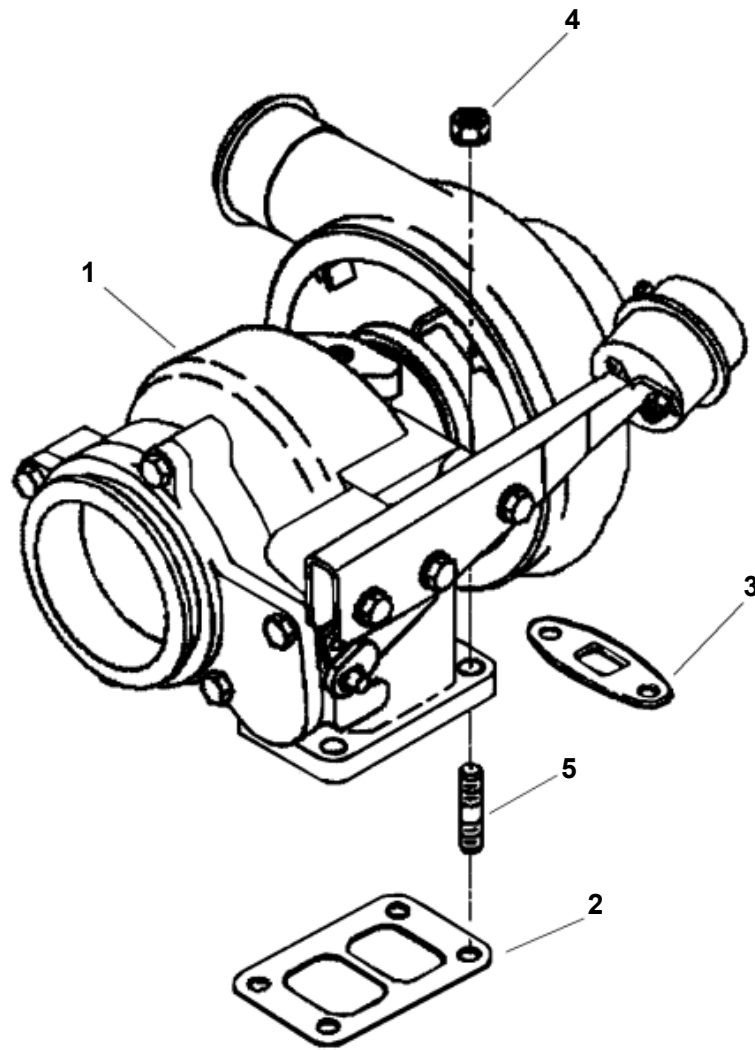
ITEM NO.	PART NO.	DESCRIPTION	Q'TY
	6745-21-7110	HOUSING ASSEMBLY, CRANKCASE BREATHER	1
1	6745-21-7120	· SEAL, O-RING	1
2	(NSS)	· HOUSING, BREATHER	1
3	6735-71-5190	BOLT (M6-1.00x20)	2
4	6745-21-7181	TUBE, LUBRICATING OIL DRAIN	1
5	6745-11-8250	BRACKET, TUBE	1
6	6216-24-5730	CLIP	2
7	04434-51008	CLAMP, HOSE	1
8	6732-71-3210	NUT (M8-1.25)	1
9	01643-30823	WASHER, PLAIN	4
10	6731-71-6270	BOLT (M8-1.25x14)	1
11	6736-21-5310	BOLT (M8-1.25x16)	1
12	07285-00220	CLIP	1
13	07286-01960	HOSE, BREATHER	1



PC350HD S/N A00001 and up
A1118-A3A0 EXHAUST MANIFOLD

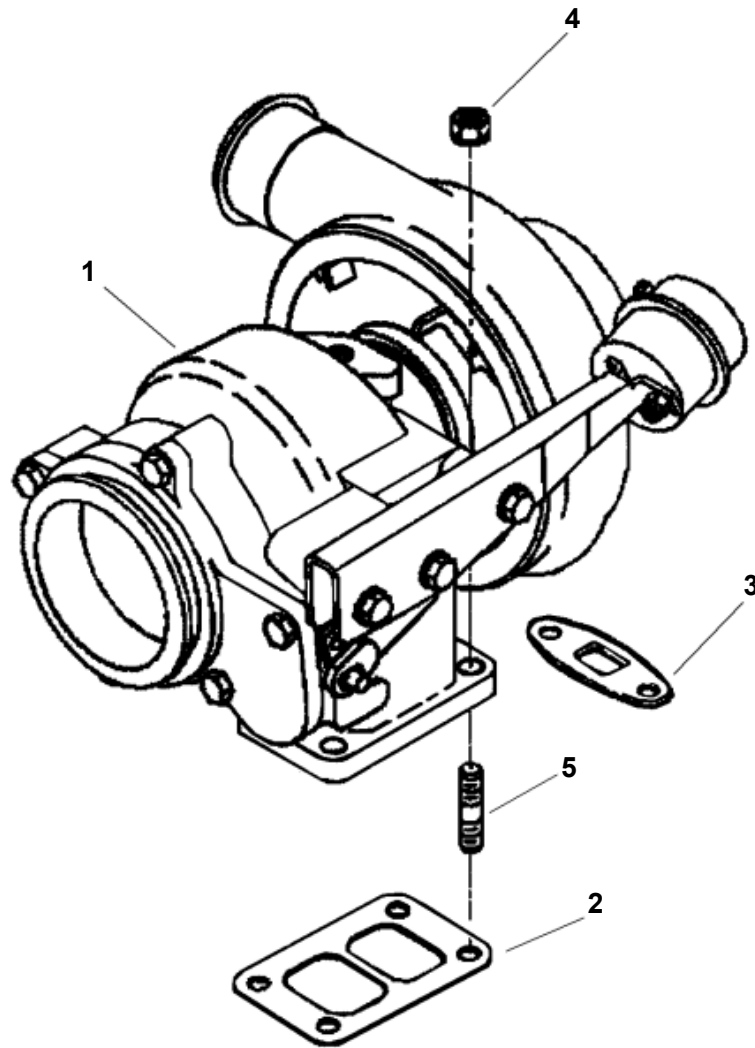
ITEM NO.	PART NO.	DESCRIPTION	Q'TY
1	6745-11-5110	MANIFOLD, EXHAUST	1
2	6745-11-5810	GASKET, EXHAUST MANIFOLD	6
3	6732-11-5860	BOLT	6
4	6754-11-5150	SPACER, MOUNTING	12
5	6745-11-5120	MANIFOLD, EXHAUST	1
6	6745-11-5170	BOLT (M10-1.5x65)	6

FIG A1119-A3A1 A1119-A3A1 TURBOCHARGER MOUNTING NEW RELEASE



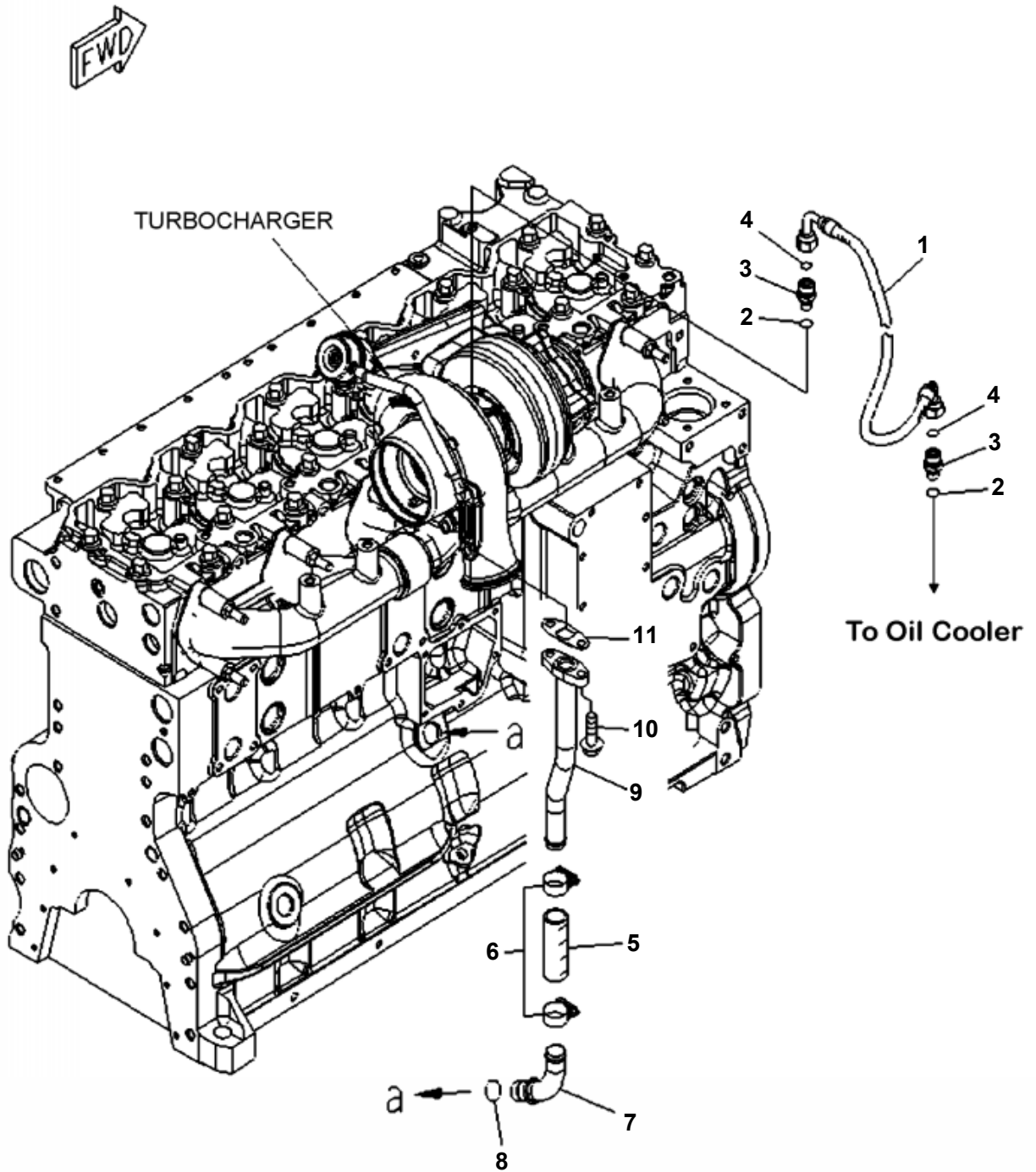
PC350HD S/N A00001 and up
A1119-A3A1 TURBOCHARGER MOUNTING NEW RELEASE

ITEM NO.	PART NO.	DESCRIPTION	Q'TY
1	(NSS)	KIT, TURBOCHARGER ((SEE FIG. A1202-A3A0))	1
2	6732-81-8830	TURBOCHARGER	1
3	6735-51-8180	GASKET, TURBOCHARGER	1
4	6732-81-8810	GASKET, OIL DRAIN	4
5	6732-81-8820	STUD	4
		NUT, HEX FLANGE (M10-1.50)	4



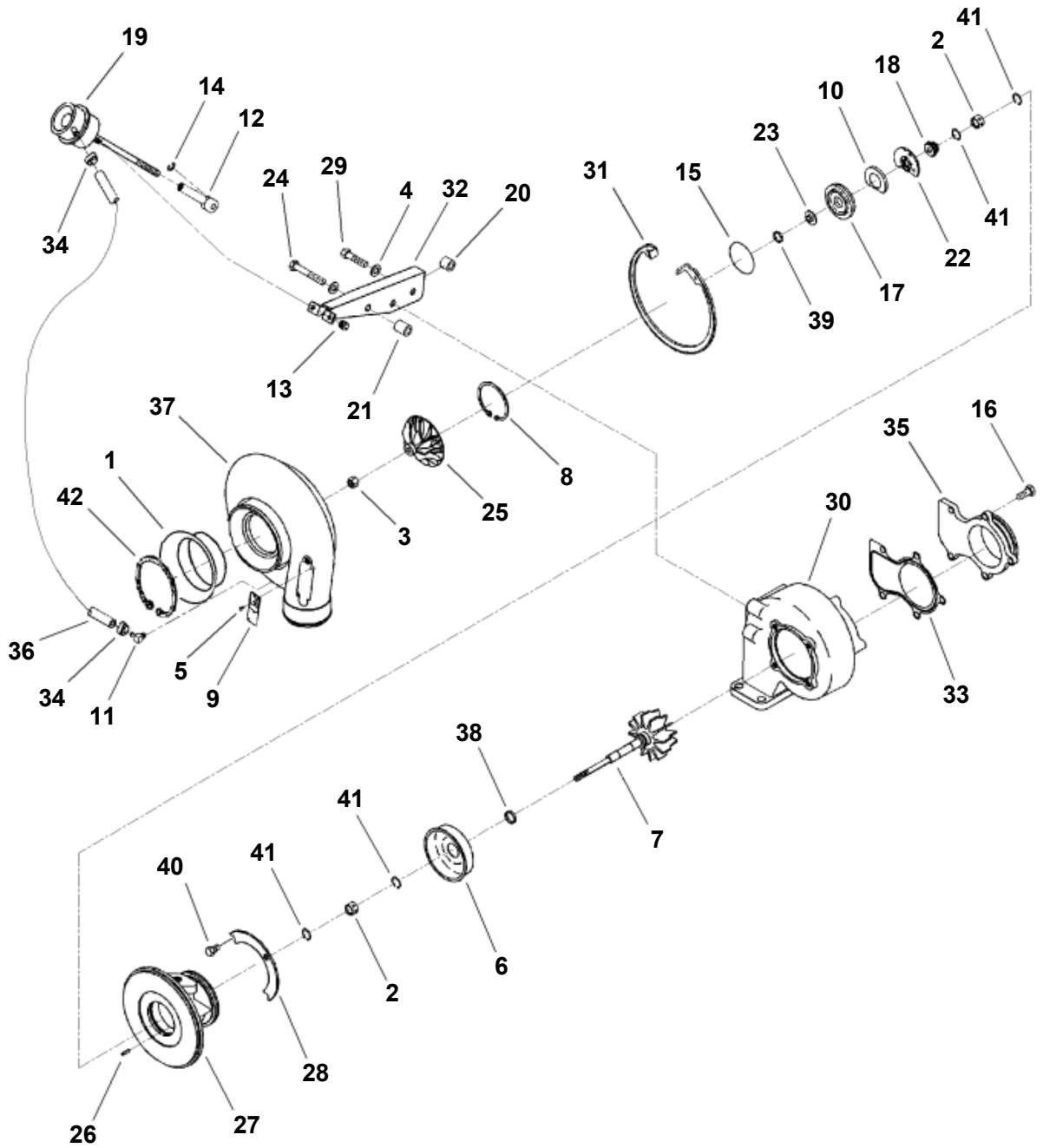
PC350HD S/N A00001 and up
A1120-A3A1 TURBOCHARGER MOUNTING ORIGINAL RELEASE

ITEM NO.	PART NO.	DESCRIPTION	Q'TY
1	(NSS)	KIT, TURBOCHARGER ((SEE FIG. A1203-A3A0))	1
2	6732-81-8830	TURBOCHARGER	1
3	6735-51-8180	GASKET, TURBOCHARGER	1
4	6732-81-8820	GASKET, OIL DRAIN	4
5	6732-81-8810	NUT, HEX FLANGE (M10-1.50)	4
		STUD	



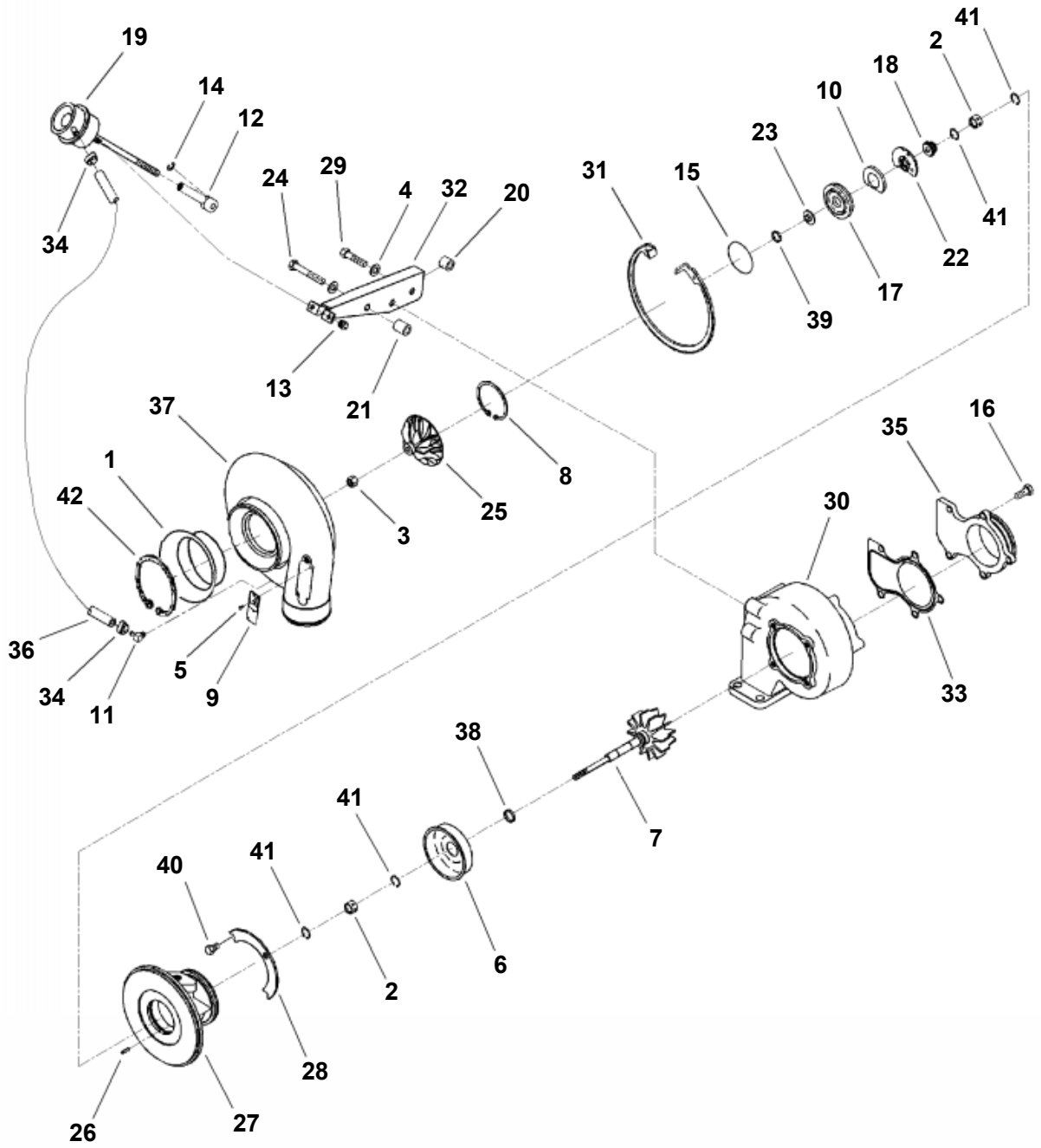
PC350HD S/N A00001 and up
A1120-A3A4 TURBOCHARGER OIL PIPING

ITEM NO.	PART NO.	DESCRIPTION	Q'TY
1	6745-51-8130	HOSE, FLEXIBLE	1
	6745-61-8160	CONNECTOR ASSEMBLY, MALE	2
2	6737-51-8770	· O-RING	2
3	(NSS)	· CONNECTOR	2
4	6732-81-8860	· O-RING	2
5	6736-21-6110	HOSE, PLAIN	1
6	6734-71-5170	CLAMP, HOSE	2
7	6745-51-8110	TUBE, TURBOCHARGER OIL DRAIN	1
8	6731-51-8150	O-RING	1
9	6745-51-8120	CONNECTION, TURBOCHARGER OIL DRAIN	1
10	6732-71-3220	BOLT	2
11		GASKET, OIL DRAIN ((SEE FIG. A1120-A3A1))	
N/I	6216-71-7210	NUT	1
	6745-51-8140	CLAMP, TUBE	1



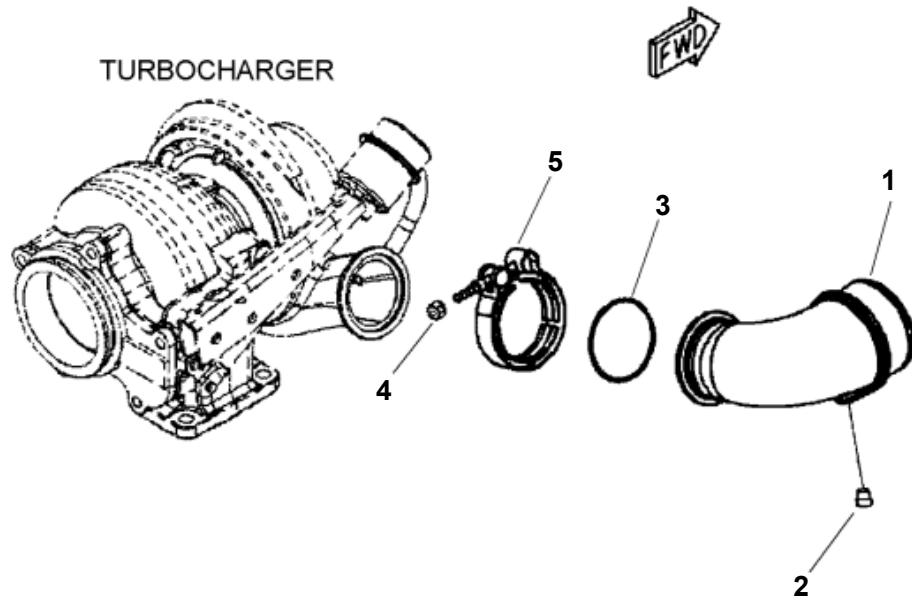
**PC350HD S/N A00001 and up
A1202-A3A0 TURBOCHARGER NEW RELEASE**

ITEM NO.	PART NO.	DESCRIPTION	Q'TY
	6745-81-8230	TURBOCHARGER	1
	(NSS)	· TURBOCHARGER	1
1	(NSS)	· · BAFFLE, TURBOCHARGER NOISE	1
2	6736-81-8370	· · BEARING, TURBOCHARGER	2
3	6731-82-8210	· · NUT, LOCK	1
4	6733-81-8650	· · WASHER, PLAIN	3
5	6736-81-8480	· · BOLT	2
6	6736-81-8430	· · SHIELD, TURBOCHARGER HEAT	1
7	(NSS)	· · SHAFT & WHEEL	1
8	6733-81-8360	· · RING, RETAINING	1
9	(NSS)	· · DATAPLATE	1
10	(NSS)	· · BAFFLE, OIL	1
11	(NSS)	· · COUPLING, ELBOW HOSE	1
12	(NSS)	· · END, ADJUSTING LINK	1
13	6743-82-8610	· · NUT, HEXAGON FLANGE	2
14	6733-81-8370	· · RING, RETAINING	1
15	6733-81-8460	· · SEAL, O RING	1
16	6743-82-8130	· · BOLT (M8-1.25x20)	5
17	(NSS)	· · PLATE, OIL SEAL	1
18	(NSS)	· · SLINGER, OIL	1
19	(NSS)	· · ACTUATOR, TURBOCHARGER	1
20	6733-81-6850	· · SPACER, MOUNTING	3
21	6735-81-6810	· · SPACER, MOUNTING	1
22	6735-82-8220	· · BEARING, TURBOCHARGER THRUST	1
23	6735-81-8620	· · COLLAR, THRUST	1
24	6742-01-5569	· · BOLT	1
25	(NSS)	· · IMPELLER, TURBOCHARGER COMPRESSOR	1
26	6733-81-8480	· · PIN, ROLL	1
27	(NSS)	· · HOUSING, TURBOCHARGER BEARING	1
28	(NSS)	· · PLATE, CLAMPING	2
29	6735-81-8370	· · BOLT	2
30	(NSS)	· · HOUSING, TURBINE	1
31	6735-81-8310	· · RING, RETAINING	1
32	6735-81-8490	· · BRACKET, ACTUATOR	1
33	6742-01-5565	· · GASKET, ADAPTER	1
34	6742-01-5564	· · CLAMP, HOSE	2
35	1317 839 H1	· · CONNECTION, ADAPTER	1
36	6742-01-5566	· · HOSE, PLAIN	1
37	(NSS)	· · HOUSING, COMPRESSOR	1
38	6736-81-8440	· · SEAL, SPLIT RING	1
39	6736-81-8320	· · SEAL, SPLIT RING	1
40	6736-81-8380	· · BOLT (M8-1.25x12)	6
41	6736-81-8360	· · RING, RETAINING	4
42	6743-82-8140	· · RING, RETAINING	1



PC350HD S/N A00001 and up
A1203-A3A0 TURBOCHARGER ORIGINAL RELEASE

ITEM NO.	PART NO.	DESCRIPTION	Q'TY
	6745-82-8010	TURBOCHARGER	1
	(NSS)	· TURBOCHARGER	1
1	(NSS)	· · BAFFLE, TURBOCHARGER NOISE	1
2	6736-81-8370	· · BEARING, TURBOCHARGER	2
3	6731-82-8210	· · NUT, LOCK	1
4	6733-81-8650	· · WASHER, PLAIN	3
5	6736-81-8480	· · BOLT	2
6	6736-81-8430	· · SHIELD, TURBOCHARGER HEAT	1
7	(NSS)	· · SHAFT & WHEEL	1
8	6733-81-8360	· · RING, RETAINING	1
9	(NSS)	· · DATAPLATE	1
10	(NSS)	· · BAFFLE, OIL	1
11	6732-81-8140	· · COUPLING, ELBOW HOSE	1
12	(NSS)	· · END, ADJUSTING LINK	1
13	6743-82-8610	· · NUT, HEXAGON FLANGE	1
14	6733-81-8370	· · RING, RETAINING	1
15	6733-81-8460	· · SEAL, O RING	1
16	6743-82-8130	· · BOLT (M8-1.25x20)	5
17	(NSS)	· · PLATE, OIL SEAL	1
18	(NSS)	· · SLINGER, OIL	1
19	(NSS)	· · ACTUATOR, TURBOCHARGER	1
20	6733-81-6850	· · SPACER, MOUNTING	3
21	6735-81-6810	· · SPACER, MOUNTING	1
22	6735-82-8220	· · BEARING, TURBOCHARGER THRUST	2
23	6735-81-8620	· · COLLAR, THRUST	1
24	6742-01-5569	· · BOLT	1
25	(NSS)	· · IMPELLER, TURBOCHARGER COMPRESSOR	1
26	6733-81-8480	· · PIN, ROLL	1
27	(NSS)	· · HOUSING, TURBOCHARGER BEARING	1
28	(NSS)	· · PLATE, CLAMPING	2
29	6735-81-8370	· · BOLT	2
30	(NSS)	· · HOUSING, TURBINE	1
31	6735-81-8310	· · RING, RETAINING	1
32	6735-81-8490	· · BRACKET, ACTUATOR	1
33	6742-01-5565	· · GASKET, ADAPTER	1
34	6742-01-5564	· · CLAMP, HOSE	2
35	(NSS)	· · CONNECTION, ADAPTER	1
36	6742-01-5566	· · HOSE, PLAIN	1
37	(NSS)	· · HOUSING, COMPRESSOR	1
38	6736-81-8440	· · SEAL, SPLIT RING	1
39	6736-81-8320	· · SEAL, SPLIT RING	1
40	6736-81-8380	· · BOLT (M8-1.25x12)	6
41	6736-81-8360	· · RING, RETAINING	4
42	6743-82-8140	· · RING, RETAINING	1





Suggest:

For more complete manuals. Please go to the home page.

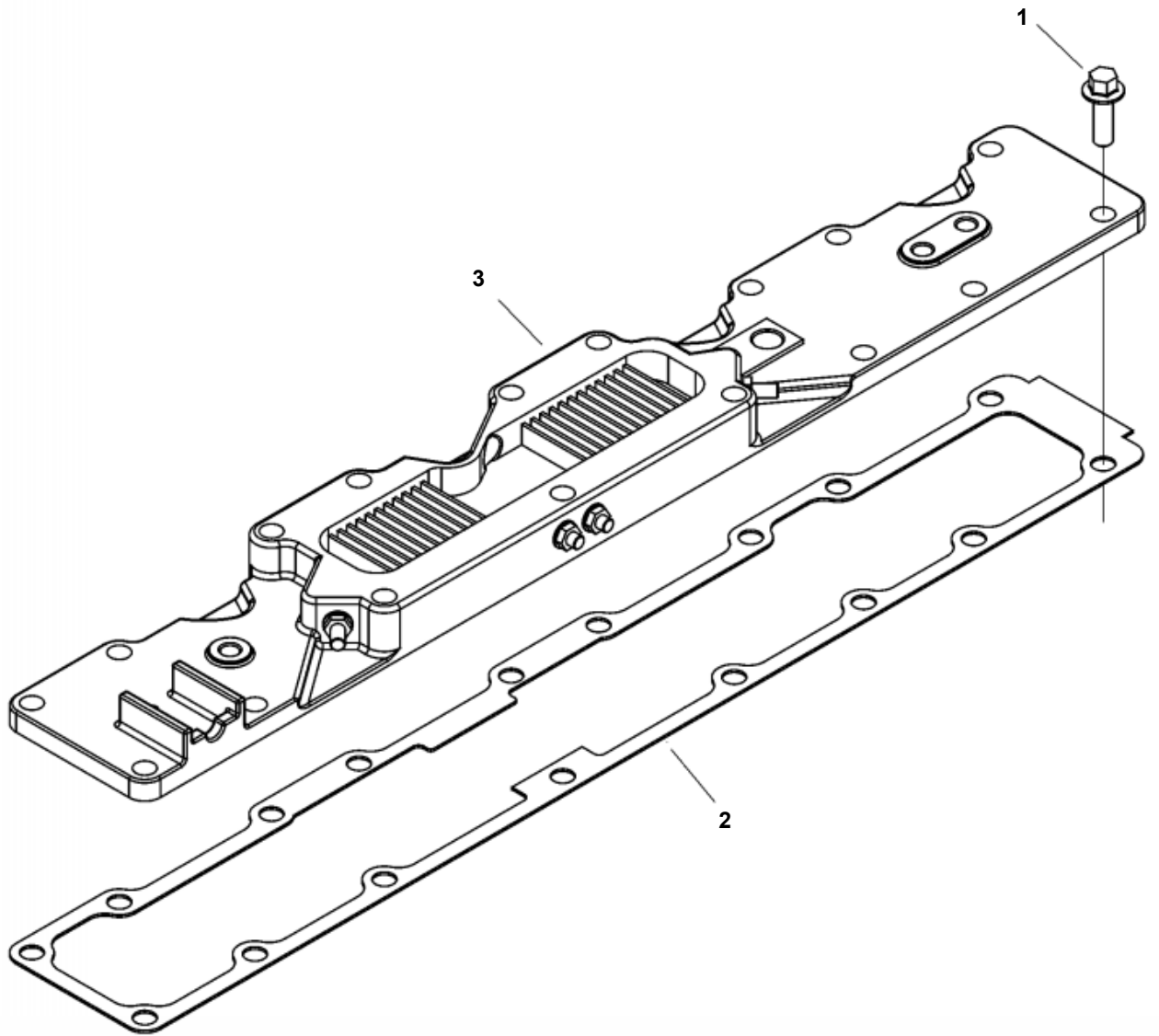
<https://www.ebooklibonline.com>

If the above button click is invalid. Please download this document first, and then click the above link to download the complete manual.

Thank you so much for reading

PC350HD S/N A00001 and up
A1205-A3A0 AIR TRANSFER CONNECTION

ITEM NO.	PART NO.	DESCRIPTION	Q'TY
1	1307 682 H1	PIPE, AIR TRANSFER	1
2	1240 101 H1	PLUG, PIPE	1
3	6738-11-4370	SEAL, O-RING	1
4	6738-11-4390	NUT, LOCK	1
5	1307 683 H1	CLAMP, V-BAND	1



<https://www.ebooklibonline.com>

Hello dear friend!

Thank you very much for reading.

Enter the link into your browser.

The full manual is available for immediate download.

<https://www.ebooklibonline.com>