

# HYDRAULIC EXCAVATOR

## SHOP MANUAL      model      **SK850Lc**

### INDEX

1	SPECIFICATIONS SECTION
2	MAINTENANCE SECTION
3	SYSTEM SECTION
4	DISASSEMBLY SECTION
5	TROUBLESHOOTING
6	ENGINE SECTION

**KOBELCO**

Book Code No. **S5LY0001E02**

Book Code No. Distribution Year–Month			Title	Index No.
S5YN0118E01 2006-12		<b>SPECIFICATIONS</b>	OUTLINE	<b>1</b>
S5LY0201E01 2006-12			SPECIFICATIONS	<b>2</b>
S5LY0301E01 2006-12			ATTACHMENT DIMENSIONS	<b>3</b>
S5LY1101E01 2006-12		<b>MAINTENANCE</b>	TOOLS	<b>11</b>
—				
S5LY1301E01 2006-12			MAINTENANCE STANDARDS AND TEST PROCEDURES	<b>13</b>
S5LY2101E01 2006-12		<b>SYSTEM</b>	MECHATRO CONTROL SYSTEM	<b>21</b>
S5LY2201E02 2008-08			HYDRAULIC SYSTEM	<b>22</b>
S5LY2301E02 2008-08			ELECTRICAL SYSTEM	<b>23</b>
S5LY2401E01 2006-12			COMPONENTS SYSTEM	<b>24</b>
S5LY2501E01 2006-12			AIR-CONDITIONER SYSTEM	<b>25</b>
—				
S5YN3118E01 2006-12		<b>DISASSEMBLING</b>	DISASSEMBLING & ASSEMBLING	<b>31</b>
S5LY3201E01 2006-12			ATTACHMENTS	<b>32</b>
S5LY3301E01 2006-12			UPPER STRUCTURE	<b>33</b>
S5LY3401E01 2006-12			TRAVEL SYSTEM	<b>34</b>
S5LY4601E01 2006-12		<b>TROUBLESHOOTING</b>	BY ERROR CODES	<b>46</b>
S5LY4701E01 2006-12			BY TROUBLE	<b>47</b>
—				
—				
S5LY5101E01 2006-12		<b>E/G</b>	ENGINE	<b>51</b>
—				
—				
—				
LY01-00101~			APPLICABLE MACHINES	

---

## NOTE:

This Manual is prepared as a technical material in which the information necessary for the maintenance and repairing services of our hydraulic excavators are collected, and is categorized into 7 Chapters, Specification, Maintenance, System, Disassembly, Troubleshooting, Engine, and Installation Procedures for Optional Attachment.

- The Chapter "Specification" describes the specifications for entire machine and material, which are instructive for replacement and repairing of attachments.
- The Chapter "Maintenance" describes the material, which is helpful for maintenance service and adjustments for entire machine.
- The Chapter "System" describes the operating system like hydraulic system, electric system, components, and so on.
- The Chapter "Disassembly" describes the removal and installing of assembly mounted on the upper structure and undercarriage, and the assembling and disassembling of the associated hydraulic equipment.
- The Chapter "Troubleshooting" describes how to find the fault equipment.
- The Chapter "Engine" describes the engines making use of the "Maintenance Manual" provided by the suppliers.
- The Chapter "Installation Procedures for Optional Attachment" describes the supplements added on request as required.

This Manual may be properly revised due to the improvement of products, modification of specifications, etc. And there are cases where the system on actual machine and a part of the contents of this manual may differ due to the variations of specification by countries. For the section in which the description is hardly understood, contact our distributor.

The number is assigned to every part handled in this Manual on account of the description, but the parts, which cannot be supplied as service parts are contained. Therefore, the order must be placed with respective formal number with due confirmation on the Parts Manual for applicable machine.

**<https://www.ebooklibonline.com>**

Hello dear friend!

Thank you very much for reading.

Enter the link into your browser.

The full manual is available for immediate download.

**<https://www.ebooklibonline.com>**

# 1. OUTLINE

## TABLE OF CONTENTS

1.1	GENERAL PRECAUTIONS FOR MAKING REPAIRS .....	1-3
1.1.1	PREPARATION BEFORE DISASSEMBLING .....	1-3
1.1.2	SAFETY WHEN DISASSEMBLING AND ASSEMBLING .....	1-3
1.1.3	DISASSEMBLING AND ASSEMBLING HYDRAULIC EQUIPMENT .....	1-3
1.1.4	ELECTRICAL EQUIPMENT .....	1-4
1.1.5	HYDRAULIC PARTS .....	1-5
1.1.6	WELD REPAIR .....	1-5
1.1.7	ENVIRONMENTAL ISSUES .....	1-5
1.2	INTERNATIONAL UNIT SYSTEM .....	1-6

## 1. OUTLINE

Issue	Date of Issue	Applicable Machines	Remarks
First edition	July, 2006	SK330-8 : LC10-07001~ SK350LC-8 : YC10-03501~	S5YN0118E01 (ASIA, OCE) K
↑	August, 2006	SK200-8 : YN11-45001~ SK210LC-8 : YQ11-06001~	↑ (ASIA, OCE) K
↑	October, 2006	SK250-8: LQ12-06001~ SK260LC-8 : LL12-05001~	↑ (ASIA, OCE) K
↑	December, 2006	SK850LC: LY01-00101~	↑ K

## 1.1 GENERAL PRECAUTIONS FOR MAKING REPAIRS

### 1.1.1 PREPARATION BEFORE DISASSEMBLING



- (1) Knowledge of operating procedure  
Read Operator's Manual carefully to understand the operating procedure.
- (2) Cleaning machines  
Clean machines of soil, mud, and dust before carrying into the service shop.  
Carrying a soiled machine into the service shop, causes making less efficient work and damage of parts.
- (3) Inspecting machines  
Confirm the disassembling section before starting work, determine the disassembly procedure taking the conditions in work shop into account, and request to procure necessary parts in advance.
- (4) Recording  
Record the following items to keep contact and prevent malfunction from recurring.
  - 1) Inspecting date, place
  - 2) Model name, Serial number and Record on hour meter
  - 3) Trouble condition, place, cause
  - 4) Visible oil leak, water leak and damage
  - 5) Clogging of filters, oil level, oil quality, oil contamination and looseness.
  - 6) Examine the problems on the basis of monthly operation rate with the last inspection date and records on hour meter.
- (5) Arrangement and cleaning in service shop
  - 1) Tools required for repair work.
  - 2) Prepare the places to put the disassembled parts.
  - 3) Prepare oil pans for leaking oil, etc.

### 1.1.2 SAFETY WHEN DISASSEMBLING AND ASSEMBLING



- (1) Safety
  - 1) Wear appropriate clothing, safety shoes, safety helmet, goggles, and clothes with long sleeves.

- 2) Attach "Don't operate" tag to control lever, and begin a meeting before starting the work.
- 3) Before starting inspection and maintenance stop the engine.
- 4) Confirm the position of first-aid kit and fire extinguisher, and also where to make contact for emergency measure and ambulance to prepare for accidents and fire.
- 5) Choose a hard, level and safe place, and put attachment on the ground without fail.
- 6) Use hoist, etc. to remove parts of heavy weight (23kg [50 lb] or more).
- 7) Use proper tools, and change or repair defective tools.
- 8) Machine and attachment required to work in the lifting condition should be supported with supports or blocks securely.

### 1.1.3 DISASSEMBLING AND ASSEMBLING HYDRAULIC EQUIPMENT



- (1) Removing hydraulic equipment assy
  - 1) Before removing pipes, release the pressure of hydraulic oil tank, or open the cover on the return side to tank, and take out the filter.
  - 2) Drain the oil in the removed pipes into pan to prevent the oil from spilling on the ground.
  - 3) Pipes with plugs or caps to prevent oil leaking, entry of dust, etc.
  - 4) Clean the outside surface of equipment, etc. before disassembling, and drain hydraulic oil and gear oil before putting them on working bench.
- (2) Disassembling hydraulic equipment
  - 1) Since performance and function of hydraulic equipment after disassembly and assembly results in immunity from responsibility on the manufacture's side, disassembly, assembly and modification without permission are strictly prohibited.
  - 2) If it is unavoidably necessary to disassemble and modify, it should be carried out by experts or personnel qualified through service training.
  - 3) Make match mark on parts for reassembling.
  - 4) Before disassembling, read Disassembling Instruction in advance, and determine if the disassembly and assembly are permitted or not.

## 1. OUTLINE

- 5) For parts which are required to use jig and tools, don't fail to use the specified jig and tools.
  - 6) For parts which can not be removed in the specified procedure, never force removal. First check for the cause.
  - 7) The removed parts should be put in order and tagged so as to install on proper places without confusion.
  - 8) For common parts, pay attention to the quantity and places.
- (3) Inspecting parts
- 1) Check that the disassembled parts are free from adherence, interference and uneven working face.
  - 2) Measure the wear of parts and clearance, and record the measured values.
  - 3) If an abnormality is detected, repair or replace the parts.
- (4) Reassembling hydraulic equipment
- 1) During the parts cleaning, ventilate the room.
  - 2) Before assembly, clean parts roughly first, and then completely.
  - 3) Remove adhering oil by compressed air, and apply hydraulic oil or gear oil, and then assemble them.
  - 4) Replace the removed O-ring, back-up rings and oil seal with new ones, and apply grease oil on them before assembling.
  - 5) Removes dirt and water on the surface on which liquid sealant are applied, decrease them, and apply liquid sealant on them.
  - 6) Before assembling, remove rust preventives on new parts.
  - 7) Use special tools to fit bearings, bushing and oil seal.
  - 8) Assemble parts matching to the marks.
  - 9) After completion, check that there is no omission of parts.
- (5) Installing hydraulic equipment
- 1) Confirm hydraulic oil and lubrication oil.
  - 2) Air release is required in the following cases ;
    1. Change of hydraulic oil
    2. Replacement of parts on suction pipe side
    3. Removing and attaching hydraulic pump
    4. Removing and attaching swing motor
    5. Removing and attaching travel motor
    6. Removing and attaching hydraulic cylinder



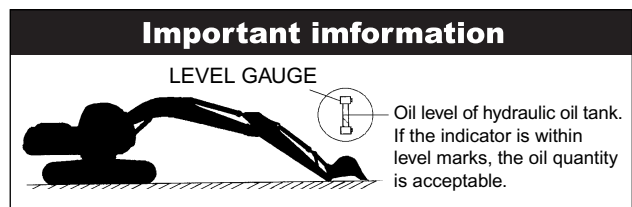
**If hydraulic oil and lubricating oil are not filled and also air bleed is not performed, the hydraulic equipment may be damaged.**

- 3) For air bleed of hydraulic pump and swing motor, loosen drain plug on the upper part, start engine, and run in low idling, then bleed air until hydraulic oil is comes out. After completion of comes, tighten plug securely.
- 4) For air bleed of travel motor and hydraulic cylinder, starts engine and operate it for 10 minutes or more at no-load and low speed.

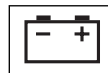


**For cylinder, don't move it to the stroke end at beginning.**

- 5) Air in pilot circuit can be bled out by only operating digging, swing and traveling motions thoroughly.
- 6) Check hydraulic oil level.  
Move attachments to hydraulic oil check position, and check hydraulic oil level of tank.  
Refill oil if the oil level is lower than the specified level.  
How to check oil level of hydraulic oil tank



### 1.1.4 ELECTRICAL EQUIPMENT



- (1) The disassembly of electrical equipment is not allowed.
- (2) Handle equipment with care so as not to drop it or bump it.
- (3) Connector should be removed by unlocking while holding the connector.  
Never stress in tension to the caulked section by pulling wire.
- (4) Check that connector is connected and locked completely.
- (5) Engine key off before removing and connecting connector.

- (6) Engine key off before touching terminals of starter and alternator.
  - (7) Remove battery grounding terminal before beginning work close to battery and battery relay with tools.
  - (8) Wash machine with care so as not to splash water on electrical equipment and connector.
  - (9) When water has entered in the waterproofed connector, the removing of water is not easy. So check the removed waterproofed connector with care to protect it from entry of water. If moisture adheres on it, dry it completely before connecting.
- (2) Flexible hose (F hose)
    - Even if the connector and length of hose are the same, the parts differ according to the withstanding pressure. Use proper parts.
    - Tighten it to the specified torque, and check that it is free from twist, over tension, interference, and oil leak.



#### **Battery fluid is dangerous.**

**The battery fluid is dilute sulfuric acid, and causes scald and loss of eyesight by adhering on eyes, skin and clothes. When the fluid has adhered on them, take an emergency measure immediately and see a doctor for medical advice.**

- **When it has adhered on skin ;  
Wash with soap and water.**
- **When it has got in eyes ;  
Wash in water for 10 minutes or more immediately.**
- **When it has spilled out in large quantity ;  
Use sodium bicarbonate to neutralize, or wash away with water.**
- **When it was swallowed ;  
Drink milk or water.**
- **When it has adhered on clothes ;  
Wash it immediately.**

#### **1.1.5 HYDRAULIC PARTS**



- (1) O-ring
  - Check that O-ring is free from flaw and has elasticity before fitting.
  - Even if the size of O-ring is equal, the usage differs, for example in dynamic and static sections, the rubber hardness also differs according to the pressure force, and also the quality differs depending on the materials to be seated. So, choose proper O-ring.
  - Fit O-ring so as to be free from distortion and bend.
  - Floating seal should be put in pairs.

#### **1.1.6 WELD REPAIR**

- (1) The weld repair should be carried out by qualified personnel in the specified procedure after disconnecting the grounding cable of battery. If the grounding cable is not disconnected, the electrical equipment may be damaged.
- (2) Remove parts which may cause fire due to the entry of spark beforehand.
- (3) Repair attachments which are damaged, giving particular attention to the plated section of piston rod to protect it from sparks, and don't fail to cover the section with flame-proof clothes.

#### **1.1.7 ENVIRONMENTAL ISSUES**

- (1) Engine should be started and operated in the place where air can be sufficiently ventilated.
- (2) Waste disposal  
The following parts follows the regulation.  
Waste oil, waste container and battery
- (3) Precautions for handling hydraulic oil  
Hydraulic oil may cause inflammation of eyes.  
Wear goggles to protect eyes on handling it.
  - When it has got in eyes ;  
Wash eyes with water until the stimulus is gone.
  - When it was swallowed ;  
Don't force him to vomit it, but immediately receive medical treatment.
  - When it has adhered on skin ;  
Wash with soap and water.
- (4) Others  
For spare parts, grease and oil, use KOBELCO genuine ones.

# 1. OUTLINE

## 1.2 INTERNATIONAL UNIT SYSTEM

### Introduction

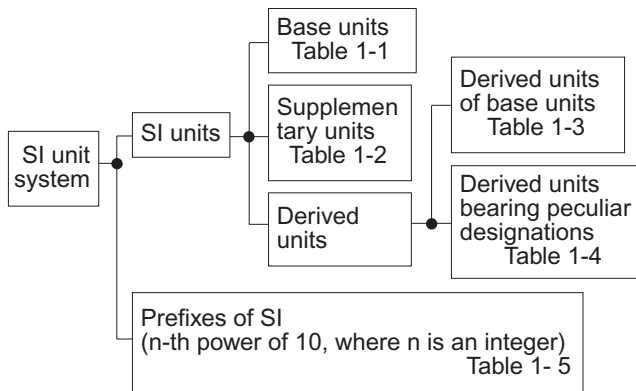
Although this manual uses the SI units system. Outline of SI units system is described here.

Given hereinunder are an excerpt of the units that are related to this manual :

#### 1. Etymology of SI Units

English : International System of units

#### 2. Construction of SI Unit System



#### (1) Basic Units

**Table 1-1**

QUANTITIES	DESIGNATION	SIGN
Length	Meter	m
Mass	Kilogram	kg
Time	Second	s
Current	Ampere	A
Thermodynamic temperature	Kelvin	K
Gram molecule	Mol	mol
Luminous intensity	Candela	cd

#### (2) Supplementary Units

**Table 1-2**

QUANTITIES	DESIGNATION	SIGN
Plain angle	Radian	rad
Solid angle	Steradian	sr

#### (3) Derived Units of Basic Units

**Table 1-3**

QUANTITIES	DESIGNATION	SIGN
Area	Square meter	m <sup>2</sup>
Volume	Cubic meter	m <sup>3</sup>
Velocity	Meter per second	m/s
Acceleration	Meter per second / second	m/s <sup>2</sup>
Density	Kilogram per cubic meter	kg/m <sup>3</sup>

#### (4) Derived Units bearing Peculiar Designations

**Table 1-4**

QUANTITY	UNIT	SYMBOL	FORMULA
Frequency	hertz	Hz	1Hz=1/s
Force	newton	N	kg • m/s <sup>2</sup>
Pressure and Stress	pascal	Pa	N/m <sup>2</sup>
Energy, Work and Quantity of heat	joule	J	N•m
Power	watt	W	J/s
Quantity of electricity	coulomb	C	A•s
Electric potential difference, Voltage, and Electromotive force	volt	V	W/A
Quantity of static electricity and Electric capacitance	farad	F	C/V
Electric resistance	ohm	Ω	V/A
Celsius temperature	celcius degree or degree	°C	(t+273.15)K
Illuminance	lux	lx	l m/m <sup>2</sup>

#### (5) Prefixes of SI

**Table 1-5**

PREFIX		POWER
DESIGNATION	SIGN	
Giga	G	10 <sup>9</sup>
Mega	M	10 <sup>6</sup>
Kilo	k	10 <sup>3</sup>
Hecto	h	10 <sup>2</sup>
Deca	da	10
Deci	d	10 <sup>-1</sup>
Centi	c	10 <sup>-2</sup>
Milli	m	10 <sup>-3</sup>
Micro	μ	10 <sup>-6</sup>
Nano	n	10 <sup>-9</sup>
Pico	p	10 <sup>-12</sup>

(6) Unit Conversion Table

QUANTITIES	JIS	SI	REMARKS
Mass	kg	kg	
Force	kgf	N	1kgf=9.807N
Torque	kgf•m	N•m	1kgf•m=9.807N•m
Pressure	kgf/cm <sup>2</sup>	MPa	1kgf/cm <sup>2</sup> =0.098MPa
Motive power	PS	kW	1PS=0.7355kW
Revolution	r.p.m	min <sup>-1</sup>	1r.p.m=1min <sup>-1</sup>

[MEMO]

## 2. SPECIFICATIONS

### TABLE OF CONTENTS

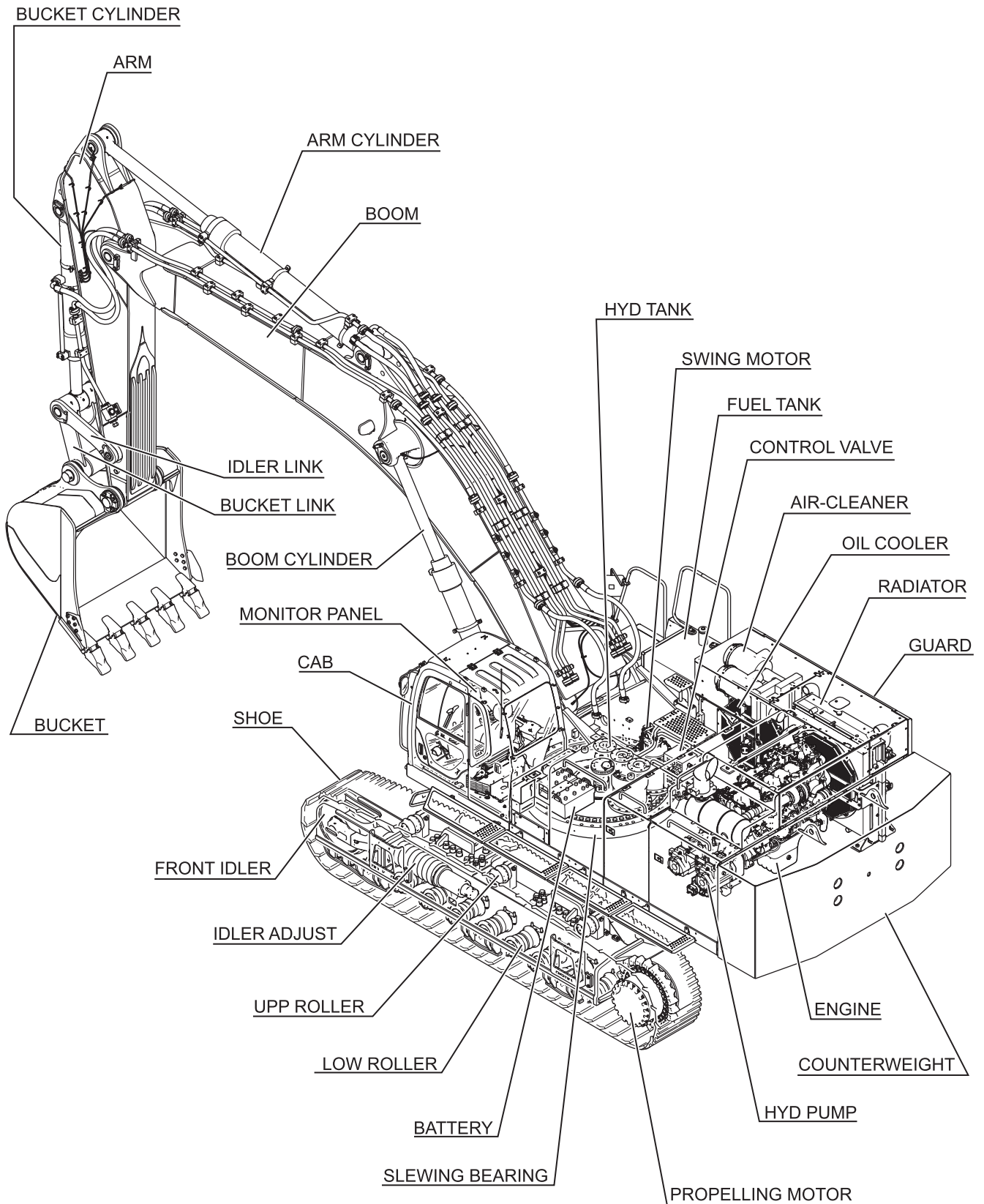
2.1	NAME OF COMPONENTS.....	2-3
2.2	GENERAL DIMENSIONS.....	2-4
2.2.1	SK850LC [8.25m (27ft-1in) Boom+3.60m (11ft-10in) Standard Arm+3.50m <sup>3</sup> (4.58cu•yd) Bucket] .	2-4
2.2.2	SK850LC [8.25m (27ft-1in) Boom+4.40m (14ft-5in) Long Arm+2.80m <sup>3</sup> (3.66cu•yd) Bucket].....	2-5
2.2.3	SK850LC [8.25m (27ft-1in) Boom+2.90m (9ft-6in) Short Arm+4.60m <sup>3</sup> (6.02cu•yd) Bucket].....	2-5
2.3	WEIGHT OF COMPONENTS.....	2-6
2.4	TRANSPORTATION.....	2-8
2.4.1	MACHINE PREPARATION (For 650 mm (25.6 in) / 750 mm (29.5 in)).....	2-8
2.4.2	MACHINE PREPARATION (For 900 mm (35.4 in)).....	2-9
2.4.3	DIMENSIONS OF ATTACHMENT.....	2-10
2.5	LIFTING MACHINE.....	2-12
2.6	SPECIFICATIONS AND PERFORMANCE.....	2-13
2.6.1	SPEED AND CLIMBING CAPABILITY.....	2-13
2.6.2	ENGINE.....	2-13
2.6.3	HYDRAULIC COMPONENTS.....	2-13
2.6.4	WEIGHT.....	2-13
2.7	TYPE OF CRAWLER.....	2-14
2.7.1	SK850LC.....	2-14
2.8	ENGINE SPECIFICATIONS.....	2-15
2.8.1	SPECIFICATIONS.....	2-15
2.8.2	ENGINE CHARACTERISTIC CURVE (Komatsu SAA6D140E-5).....	2-16

## 2. SPECIFICATIONS

---

Issue	Date of Issue	Applicable Machines	Remarks
First edition	December, 2006	SK850LC: LY01-00101~	S5LY0201E01 K

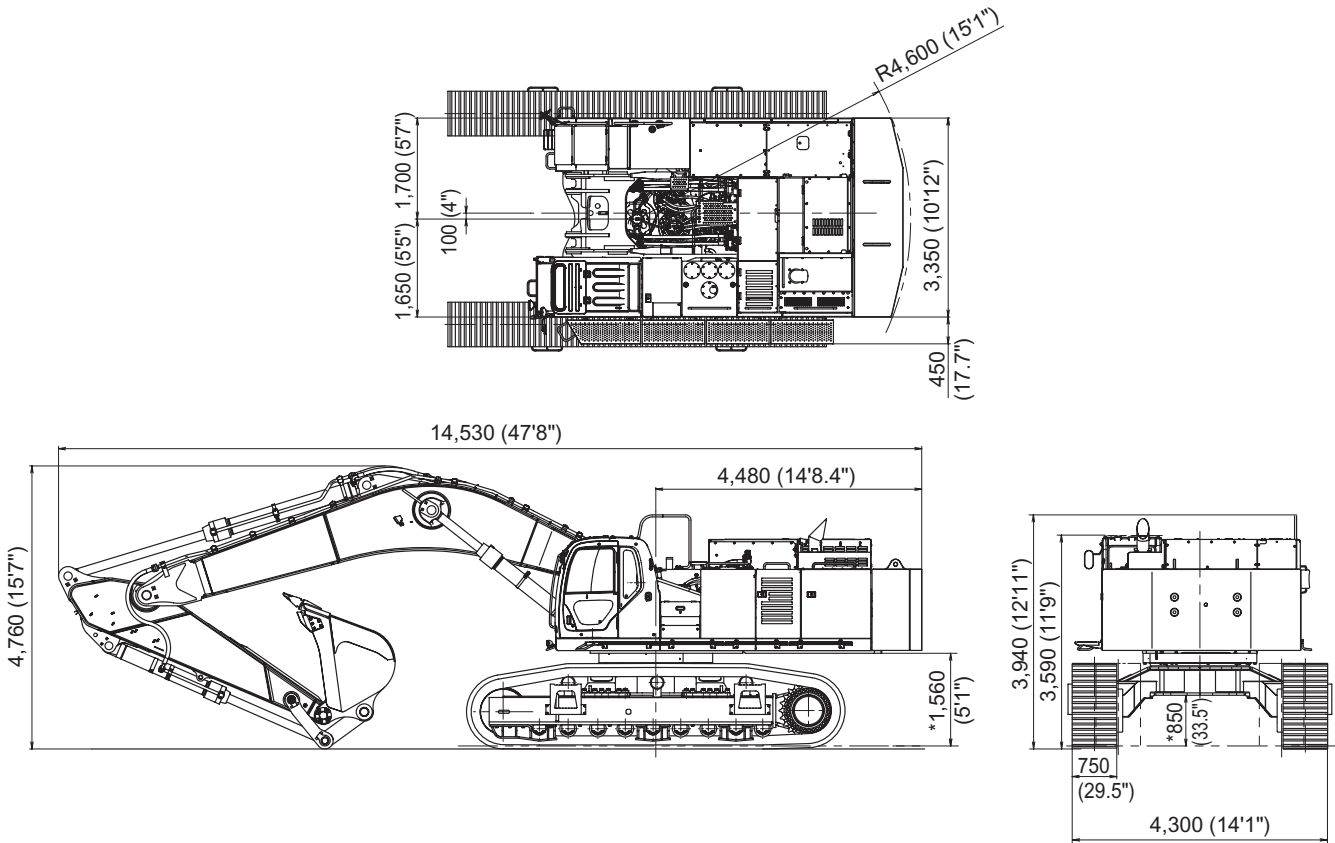
2.1 NAME OF COMPONENTS



## 2. SPECIFICATIONS

### 2.2 GENERAL DIMENSIONS

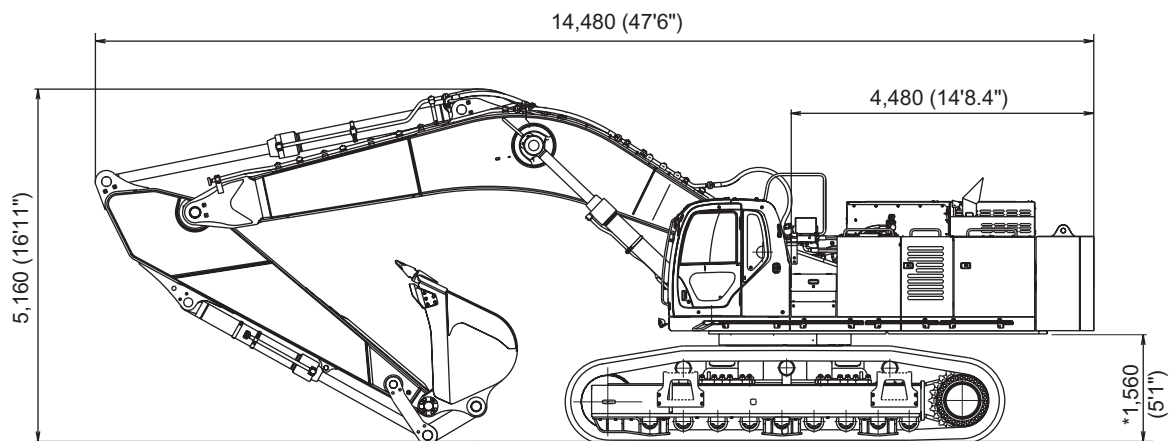
#### 2.2.1 SK850LC [8.25m (27ft-1in) Boom+3.60m (11ft-10in) Standard Arm+3.50m<sup>3</sup> (4.58cu·yd) Bucket]



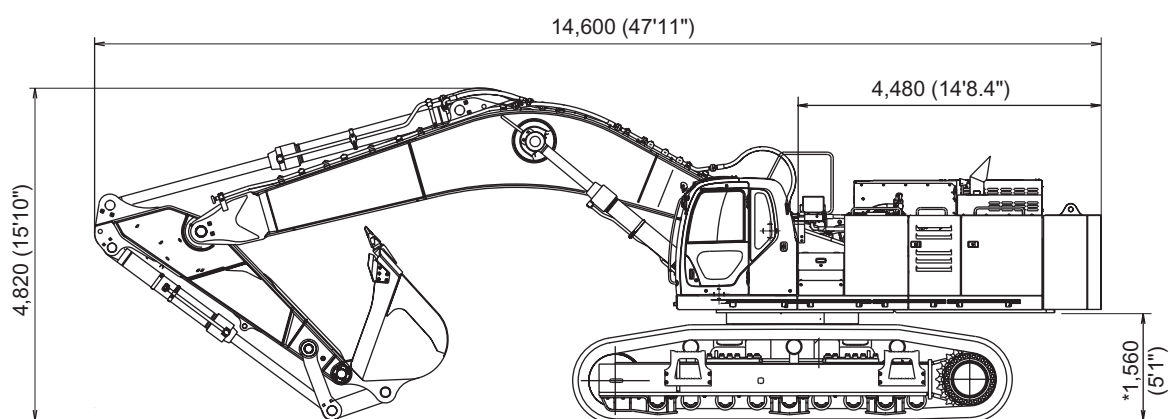
#### Note

Dimensions marked \* do not include the height of the shoe lug.

2.2.2 SK850LC [8.25m (27ft-1in) Boom+4.40m (14ft-5in) Long Arm+2.80m<sup>3</sup> (3.66cu·yd) Bucket]



2.2.3 SK850LC [8.25m (27ft-1in) Boom+2.90m (9ft-6in) Short Arm+4.60m<sup>3</sup> (6.02cu·yd) Bucket]



Note

Dimensions marked \* do not include the height of the shoe lug.

## 2. SPECIFICATIONS

### 2.3 WEIGHT OF COMPONENTS

		Unit ; kg (lb)
Item	Model	SK850LC
Machine complete		78,800 (173,750)
1. Upper frame assy (Assembly of following :)		29,200 (64,390)
1.1 Upper frame		6,860 (15,130)
1.2 Counter weight		
Counter weight (Semi-weighted)		13,300 (29,330)
Counter weight (weighted)		—
1.3 Cab		290 (640)
1.4 Engine		*1,675 (3,693)
1.5 Hydraulic oil tank		*540 (1,191)
1.6 Fuel tank		*410 (904)
1.7 Slewing motor (including reduction unit)		*482 (1,063)×2
1.8 Control valve		*400 (882)
1.9 Boom cylinder		*870 (1,918) × 2
1.10 Pin (for mounting boom)		260 (573)
1.11 Pump		155 (342)×2
1.12 Radiator (including intercooler)		*400 (882)
1.13 Oil cooler		*245 (540)
2. Lower frame assy (Assembly of following :)		31,100 (68,580)
2.1 Lower frame		12,100 (26,680)
2.2 Slewing bearing		1,290 (2,844)
2.3 Travel motor (including reduction unit)		*860 (1,896) × 2
2.4 Upper roller		46 (101) × 6
2.5 Lower roller		137 (302) × 18
2.6 Front idler		480 (1,058) × 2
2.7 Idler adjuster		625 (1,378) × 2
2.8 Sprocket		175 (386) × 2
2.9 Swivel joint		*70 (154)
2.10 Track guide		80 (176) × 4
2.11 Track link with 750mm (29.5in) shoes assy		9,075 (20,010) × 2
Track link with 650mm (25.6in) shoes assy		8,410 (18,544) × 2
Track link with 900mm (35.4in) shoes assy		10,200 (22,491) × 2
2.11.1 Track link assy		1,900 (4,190) × 2
3. Attachment (Assembly of following / STD :)		15,250 (33,630)
(8.25m (27ft-1in) Boom + 3.60m (11ft-10in) Arm + 3.50m <sup>3</sup> (4.58cu•yd) Bucket)		
3.1 Bucket assy (STD)		2,610 (5,755)
3.2 STD Arm assy (Assembly of following :)		4,230 (9,327)
3.2.1 STD Arm		2,535 (5,590)
3.2.2 Bucket cylinder		*790 (1,742)
3.2.3 Idler link		85 (187) × 2
3.2.4 Bucket link		370 (816)
3.2.5 Pin (2pcs. for mounting bucket cylinder / 2pcs. for mounting bucket)		315 (695)
3.3 Boom assy (Assembly of following :)		8,360 (18,434)
3.3.1 Boom		7,040 (15,523)
3.3.2 Arm cylinder		*1,175 (2,591)
3.3.3 Pin (Mounting arm • Mounting arm cylinder)		190 (419)

## 2. SPECIFICATIONS

Unit ; kg (lb)

Item	Model
4. Lubricant and water (Assembly of following :)	SK850LC
4.1 Hydraulic oil	1,929 (4,253)
4.2 Engine oil	856 (1,887)
4.3 Fuel	58 (128)
4.4 Water	965 (2,129)
4.4 Water	50 (110)

**Note**

Marks \* show dry weight.



**Suggest:**

**For more complete manuals. Please go to the home page.**

**<https://www.ebooklibonline.com>**

**If the above button click is invalid. Please download this document first, and then click the above link to download the complete manual.**

**Thank you so much for reading**

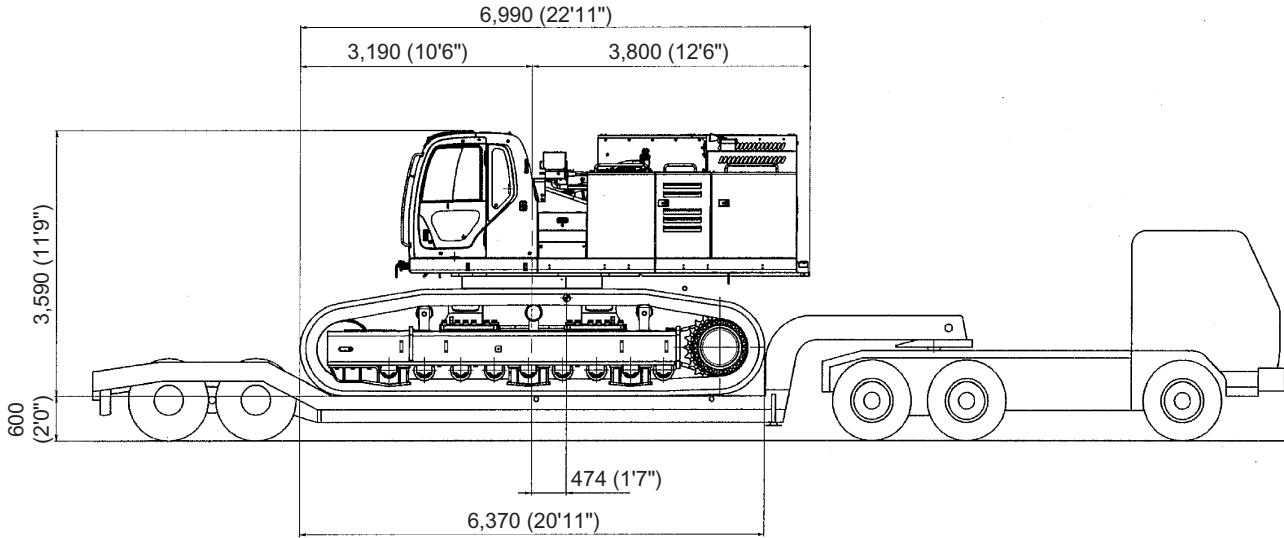
## 2. SPECIFICATIONS

### 2.4 TRANSPORTATION

1. Know the total weight, length, width and height of the machine being transported.
2. Know route to be traveled. Investigate bridges, overpasses, height of road signs on route.
3. Obtain any permits required from proper government agencies for machine transportation.
4. Use only a trailer with a rated capacity sufficient to transport the machine.
5. Make certain trailer has ramps or a ramp is available for loading and unloading the machine.

#### 2.4.1 MACHINE PREPARATION (For 650 mm (25.6 in) / 750 mm (29.5 in))

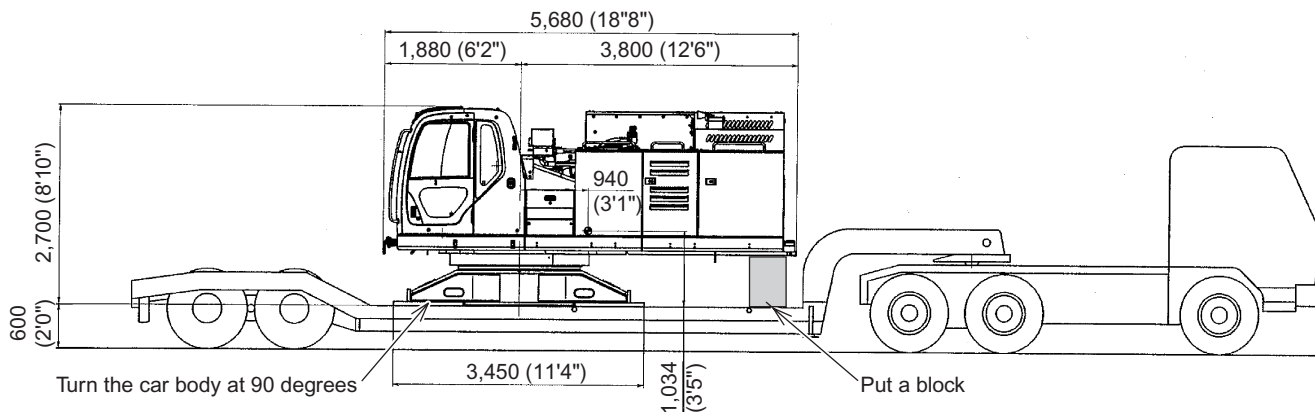
Unit: mm (ft-in)



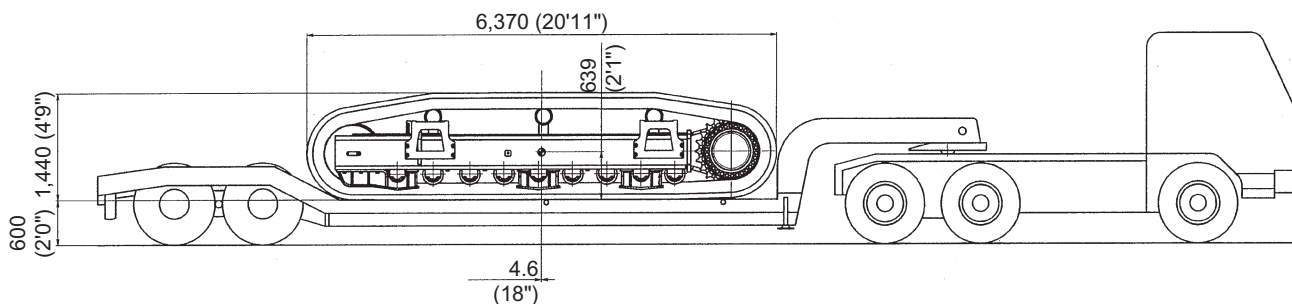
Shoe type mm (in)	Overall Width of Crawler	Weight
	mm (ft-in)	kg (lb)
650 (25.6)	3,400 (11'2")	48,200 (106,300)
750 (29.5)	3,500 (11'6")	48,800 (107,600)

**2.4.2 MACHINE PREPARATION (For 900 mm (35.4 in))**

- Width of Upper Structure: 3,350 mm (11ft-0in)
- Weight: 24,900 kg (54,900 lb)



- Width of Crawler Frame: 900 mm (35.4 in)  
(with step) : 1,100 mm (3ft-7in)
- Weight : 25,100 kg (55,300 lb)



**IMPORTANT**

- Apply this drawing for transportation to machine that is equipped shoe width of 900 mm (35.4 in).
- Width of Revolving Upper Structure (Without catwalk)

**<https://www.ebooklibonline.com>**

Hello dear friend!

Thank you very much for reading.

Enter the link into your browser.

The full manual is available for immediate download.

**<https://www.ebooklibonline.com>**