

HYDRAULIC EXCAVATOR

**SHOP
MANUAL**

model

SK330_{LC-6E}

SK330_{NLC-6E}

INDEX

1	SPECIFICATION SECTION
2	MAINTENANCE SECTION
3	SYSTEM SECTION
4	DISASSEMBLY SECTION
5	TROUBLESHOOTING
6	ENGINE SECTION
7	INSTALLATION PROCEDURES FOR OPTIONAL ATTACHMENT

Note)

The letter "E" of 6E in the machine model expresses that the engine mounted on this machine is approved by the new regulation established after the emission rate became more severe. Therefore the last letter "E" in the machine model, represents the "Emission" or "Ecology".

KOBELCO

Book code No. S5LC0008E②

SPECIFICATION

MAINTENANCE

SYSTEM

DISASSEMBLING

TROUBLESHOOTING

E/G

OPT

Book Code No. Distribution Year—Month		Index No	Title
S5LC0108E 2001-11		SPECIFICATION	OUTLINE LC01
S5LC0208E 2001-11			SPECIFICATION LC02
S5LC0308E 2001-11			ATTACHMENT DIMENSION LC03
S5LC1108E 2001-11		MAINTENANCE	TOOLS LC11
S5LC1208E 2001-11			STANDARD MAINTENANCE TIME SCHEDULE LC12
S5LC1308E 2001-11			MAINTENANCE STANDARD AND TEST PROCEDURE LC13
S5LC2108E 2001-11		SYSTEM	MECHATRO CONTROL SYSTEM LC21
S5LC2208E 2001-11			HYDRAULIC SYSTEM LC22
S5LC2308E 2001-11			ELECTRICAL SYSTEM LC23
S5LC2408E 2001-11			COMPONENTS SYSTEM LC24
S5LC2508E 2001-11			AIR-CONDITIONER SYSTEM LC25
—			—
S5LC3108E 2001-11		DISASSEMBLING	DISASSEMBLING AND ASSEMBLING LC31
S5LC3208E 2001-11			ATTACHMENT LC32
S5LC3308E 2001-11			UPPER STRUCTURE LC33
S5LC3408E 2001-11			TRAVEL SYSTEM LC34
S5LC4108E 2001-11		TROUBLESHOOTING	MECHATRO CONTROL LC41
S5LC4208E 2001-11			HYDRAULIC LC42
S5LC4308E 2001-11			ELECTRICAL LC43
S5LC4408E 2001-11			ENGINE LC44
S5LC5108E 2001-11		E/G	ENGINE LC51
★ S5LC6102E 2002-01		OPT.	LMN & BREAKER (EU only) LC61
★ S5LC6302E 2002-05		OPT.	MOUNTING THE BREAKER AND NIBBLER & BREAKER LC63
LC07-06001 ~ YC07-02801 ~			APPLICABLE MACHINES

★ marked chapter is separately bound in another file.

KOBELCO

Book code No.

S5LC0108E

SHOP MANUAL **SK330**_{LC-6E}
SK330_{NLC-6E} **LC01**

OUTLINE

TABLE OF CONTENTS

1. GENERAL PRECAUTIONS FOR MAKING REPAIRS 1
2. INTERNATIONAL UNIT CONVERSION SYSTEM 4

KOBELCO CONSTRUCTION MACHINERY CO., LTD.

<https://www.ebooklibonline.com>

Hello dear friend!

Thank you very much for reading.

Enter the link into your browser.

The full manual is available for immediate download.

<https://www.ebooklibonline.com>

Applicable Machines
LC07-06001~
YC07-02801~

Revision	Date of Issue	Remarks
First edition	November, 2001	S5LC0108E K

1. GENERAL PRECAUTIONS FOR MAKING REPAIRS



1.1 PREPARATION BEFORE DISASSEMBLING

- (1) Knowledge of operating procedure
Read Operator's Manual carefully to understand the operating procedure.
- (2) Cleaning machines
Clean machines of soil, mud, and dust before carrying into the service shop.
Carrying a soiled machine into the service shop, causes making less efficient work and damage of parts.
- (3) Inspecting machines
Confirm the disassembling section before starting work, determine the disassembly procedure taking the conditions in work shop into account, and request to procure necessary parts in advance.
- (4) Recording
Record the following items to keep contact and prevent malfunction from recurring.
 - 1) Inspecting date, place
 - 2) Model name, Applicable machine No., Records on hour meter
 - 3) Trouble condition, place, cause
 - 4) Visible oil leakage, water leakage and damage
 - 5) Clogging of filters, etc., oil level, oil quality, oil contamination and looseness which can be inspected.
 - 6) Examine the problems on the basis of operation rate with the last inspection date and records on hour meter.
- (5) Arrangement and cleaning in service shop
 - 1) Tools required for repair work.
 - 2) Specify places to put the disassembled parts on in advance.
 - 3) Prepare oil pans for leaking oil, etc.



1.2 SAFETY WHEN DISASSEMBLING AND ASSEMBLING

- (1) Safety
 - 1) Wear appropriate clothing, safety shoes, safety helmet, goggles, and clothes with long sleeves.
 - 2) Suspend warning tag "Don't operate" from lever, and begin preliminaries before getting down to work.
 - 3) Before starting inspection and maintenance which contain the danger of being caught in machine, stop the engine.

- 4) Confirm the position of first-aid kit and fire extinguisher, and also where to make contact for emergency measure and ambulance to prepare for accidents and fire.
- 5) Choose a hard, flat and safe place, and put attachment on the ground without fail.
- 6) Use crane, etc. to remove parts of heavy weight (20kg [44 lbs] or more).
- 7) Use proper tools, and change or repair defective tools.
- 8) Machine and attachment required to work in the lifting condition should be supported with supports or blocks securely.



1.3 DISASSEMBLING AND ASSEMBLING HYDRAULIC EQUIPMENT

- (1) Removing hydraulic equipment assy
 - 1) Before removing pipes, release the pressure of hydraulic oil tank, or open the cover on the return side to tank, and take out the filter.
 - 2) Put the oil in the removed pipes in reservoir taking care it is not spilled on the ground.
 - 3) Pipes with plugs or caps to prevent oil leaking, entry of dust, etc.
 - 4) Clean the outside surface of equipment, etc. before disassembling, and drain hydraulic oil and gear oil before putting them on working bench.
- (2) Disassembling hydraulic equipment
 - 1) Since performance and function of hydraulic equipment after disassembly and assembly results in immunity from responsibility on the manufacture's side, disassembly, assembly and conversion without permission are strictly prohibited.
 - 2) If it is unavoidably necessary to disassemble and convert, it should be carried out by experts or personnel authorized through service training.
 - 3) Make match mark on parts for reassembling.
 - 4) Before disassembling, read Disassembling Instruction in advance, and determine if the disassembly and assembly are permitted or not.
 - 5) For parts which are required to use jig and tools, don't fail to use the specified jig and tools.
 - 6) For parts which can not be removed in the specified procedure, never force removal. First check for the cause.

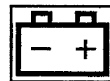
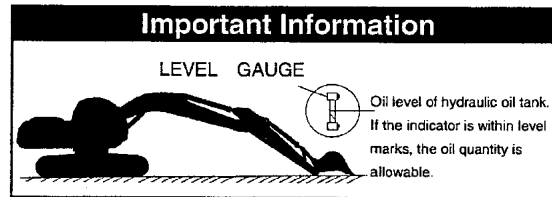
- 7) The removed parts should be put in order and tagged so as to install on proper places without confusion.
 - 8) For common parts, pay attention to the quantity and places.
 - (3) Inspecting parts
 - 1) Check that the disassembled parts are free from adherence, interference and non-uniform working face.
 - 2) Measure the wear of parts and clearance, and record the measured values.
 - 3) If an abnormality is detected, repair or replace the parts.
 - (4) Reassembling hydraulic equipment
 - 1) Before cleaning, turn the fan on or open doors to ventilate air.
 - 2) Before assembly, clean parts roughly first, and then completely.
 - 3) Remove with oil by compressed air, and apply hydraulic oil or gear oil, and then assemble them.
 - 4) Replace the removed O ring, back-up rings and oil seal with new ones, and apply grease oil on them before assembling.
 - 5) Removes stain and water on the surface on which liquid sealant are applied, decrease them, and apply liquid sealant on them.
 - 6) Before assembling, remove rust preventives on new parts.
 - 7) Use special tools to fit bearings, bushing and oil seal.
 - 8) Assemble parts matching to the marks.
 - 9) After completion, check that there is no omission of parts.
 - (5) Installing hydraulic equipment
 - 1) Confirm hydraulic oil and lubrication oil.
 - 2) Air release is required in the following cases ;
 - a. Change of hydraulic oil
 - b. Replacement of parts on suction pipe side
 - c. Removing and attaching hydraulic pump
 - d. Removing and attaching swing motor
 - e. Removing and attaching travel motor
 - f. Removing and attaching hydraulic cylinder
- ⚠ If hydraulic oil and lubricating oil are not filled and also air bleed is not performed, the hydraulic equipment may be damaged.

- 3) For air bleed of hydraulic pump and swing motor, loosen drain plug on the upper part, start engine, and run in low idling, then bleed air until hydraulic oil is oozed out. After completion of air bleed, tighten plug securely.
- 4) For air bleed of travel motor and hydraulic cylinder, starts engine and operate it for 10 minutes or more at no-load and low speed.

⚠ For cylinder, don't move it to the stroke end at beginning.

- 5) Air in pilot circuit can be bled out by only operating digging, swing and traveling motions thoroughly.
- 6) Check hydraulic oil level.
Move attachments to hydraulic oil check position, and check hydraulic oil level of tank. Refill oil if the oil level is lower than the minimum level.

How to check oil level of hydraulic oil tank



1.4 ELECTRICAL EQUIPMENT

- (1) The disassembly of electrical equipment is not allowed.
- (2) Handle equipment with care so as not to drop it or bump it.
- (3) Connector should be removed by unlocking while holding the connector.
Never stress in tension to the caulked section by pulling wire.
- (4) Check that connector is connected and locked completely.
- (5) Starter key off before removing and connecting connector
- (6) Starter key off before touching terminals of starter and alternator.
- (7) Remove battery grounding terminal before beginning work close to battery and battery relay with tools.
- (8) Wash machine with care so as not to splash water on electrical equipment and connector.

- (9) When water has entered in the waterproofed connector, the removing of water is not easy. So check the removed waterproofed connector with care to protect it from entry of water. If moisture adheres on it, dry it completely before connecting.



Battery electrolyte is dangerous.

The battery electrolyte is dilute sulfuric acid, and causes scald and loss of eyesight by adhering on eyes, skin and clothes. When the electrolyte has adhered on them, take an emergency measure immediately and see a doctor for medical advice.

- When it has adhered on skin ;
Wash with soap and water.
- When it has got in eyes ;
Wash in water for 10 minutes or more immediately.
- When it has spilled out in large quantity ;
Use sodium bicarbonate to neutralize, or wash away with water.
- When it was swallowed ;
Drink milk or water.
- When it has adhered on clothes ;
Wash it immediately.



1.5 HYDRAULIC PARTS

1) O ring

- Check that O ring is free from flaw and has elasticity before fitting.
- Even if the size of O ring is equal, the usage differs, for example in dynamic and static sections, the rubber hardness also differs according to the pressure force, and also the quality differs depending on the materials to be seated. So, choose proper O ring.
- Fit O ring so as to be free from distortion and bend.
- Floating seal should be put in pairs.

2) Flexible hose (F hose)

- Even if the connector and length of hose are the same, the parts differ according to the withstanding pressure. Use proper parts.

- Tighten it to the specified torque, and check that it is free from distortion, over tension, interference, and oil leakage.

1.6 WELD REPAIR

- (1) The weld repair should be carried out by authorized personnel in the specified procedure after disconnecting the grounding cable of battery. If the grounding cable is not disconnected, the electrical equipment may be damaged.
- (2) Remove parts which may cause flame due to the entry of spark beforehand.
- (3) Repair attachments which are damaged, giving particular attention to the plated section of piston rod to protect it from sparks, and don't fail to cover the section with fire proof clothes.

1.7 ENVIRONMENTAL ISSUES

- (1) Engine should be started and operated in the place where air can be sufficiently ventilated.
- (2) Waste disposal
The following parts follows the regulation.
Waste oil, waste container and battery
- (3) Precautions for handling hydraulic oil
Hydraulic oil may cause inflammation of eyes. Wear goggles to protect eyes on handling it.
 - When it has got in eyes ;
Wash eyes with water until the stimulus is gone.
 - When it was swallowed ;
Don't force him to vomit it, but immediately receive medical treatment.
 - When it has adhered on skin ;
Wash with soap and water.
- (4) Others
For spare parts, grease and oil, use KOBELCO genuine ones.

2. INTERNATIONAL UNIT CONVERSION SYSTEM

Introduction

Although this manual uses the JIS unit system. If you need SI unit, refer to following international system of units.

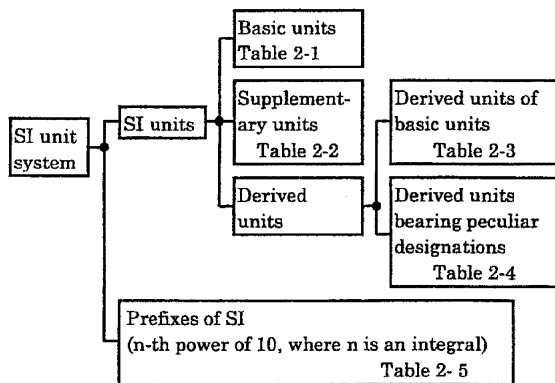
Given hereinunder are an excerpt of the units that are related to this manual :

1. Etymology of SI Units

French : Le Système International d' Unités

English: International System of Units

2. Construction of SI Unit System



(1) Basic Units

Table 2-1

QUANTITIES	DESIGNATION	SIGN
Length	Meter	m
Mass	Kilogram	kg
Time	Second	s
Current	Ampere	A
Thermodynamic temperature	Kelvin	K
Gram molecule	Mol	mol
Luminous intensity	Candela	cd

(2) Supplementary Units

Table 2-2

QUANTITIES	DESIGNATION	SIGN
Plane angle	Radian	rad
Solid angle	Steradian	sr

(3) Derived Units of Basic Units

Table 2-3

QUANTITIES	DESIGNATION	SIGN
Area	Square meter	m ²
Volume	Cubic meter	m ³
Velocity	Meter per second	m/s
Acceleration	Meter per second / second	m/s ²
Density	Kilogram per cubic meter	kg/m ³

(4) Derived Units bearing Peculiar Designations

Table 2-4

QUANTITIES	DESIGNATION	SIGN	DERIVED UNIT
Frequency	Hertz	Hz	1Hz=1s ⁻¹
Force	Newton	N	1N=1kgf·m/s ²
Pressure, Stress	Pascal	Pa	1Pa=1N/m ²
Energy Work, Quantity of heat	Joule	J	1J=1N·m
Power Motive power, Electric power	Watt	W	1W=1J/s
Charge, Quantity of electricity	Coulomb	C	1C=1A·s
Potential Voltage, Electromotive force	Volt	V	1V=1J/C (1W/A)
Quantity of static electricity Capacitance	Farad	F	1F=1C/V
Electric resistance	Ohm	Ω	1Ω=1V/A
Celsius temperature	Celsius degree or degree	°C	t°C=(t+273.15)K
Illuminance	lux	lx	1lx=1lm/m ²

(5) Prefixes of SI

Table 2-5

PREFIX		POWER
DESIGNATION	SIGN	
Giga-	G	10 ⁹
Mega-	M	10 ⁶
Kilo-	k	10 ³
Hecto-	h	10 ²
Deca-	da	10
Deci-	d	10 ⁻¹
Centi-	c	10 ⁻²
Milli-	m	10 ⁻³
Micro-	μ	10 ⁻⁶
Nano-	n	10 ⁻⁹
Pico-	p	10 ⁻¹²

(6) Unit Conversion Table

Table 2-6

QUANTITIES	JIS	SI	REMARKS
Mass	kgf	kg	
Force	kgf	N	1kgf=9.807N
Torque	kgf·m	N·m	kgf·m=9.807N·m
Pressure	kgf/cm ²	MPa	1kgf/cm ² =0.098MPa
Motive power	PS	kW	1PS=0.7355kW
Revolution	rpm	min ⁻¹	r/min ※1

KOBELCO

Book code No.

S5LC0208E

SHOP MANUAL

SK330LC-6E

SK330NLC-6E

LC02

SPECIFICATION

TABLE OF CONTENTS

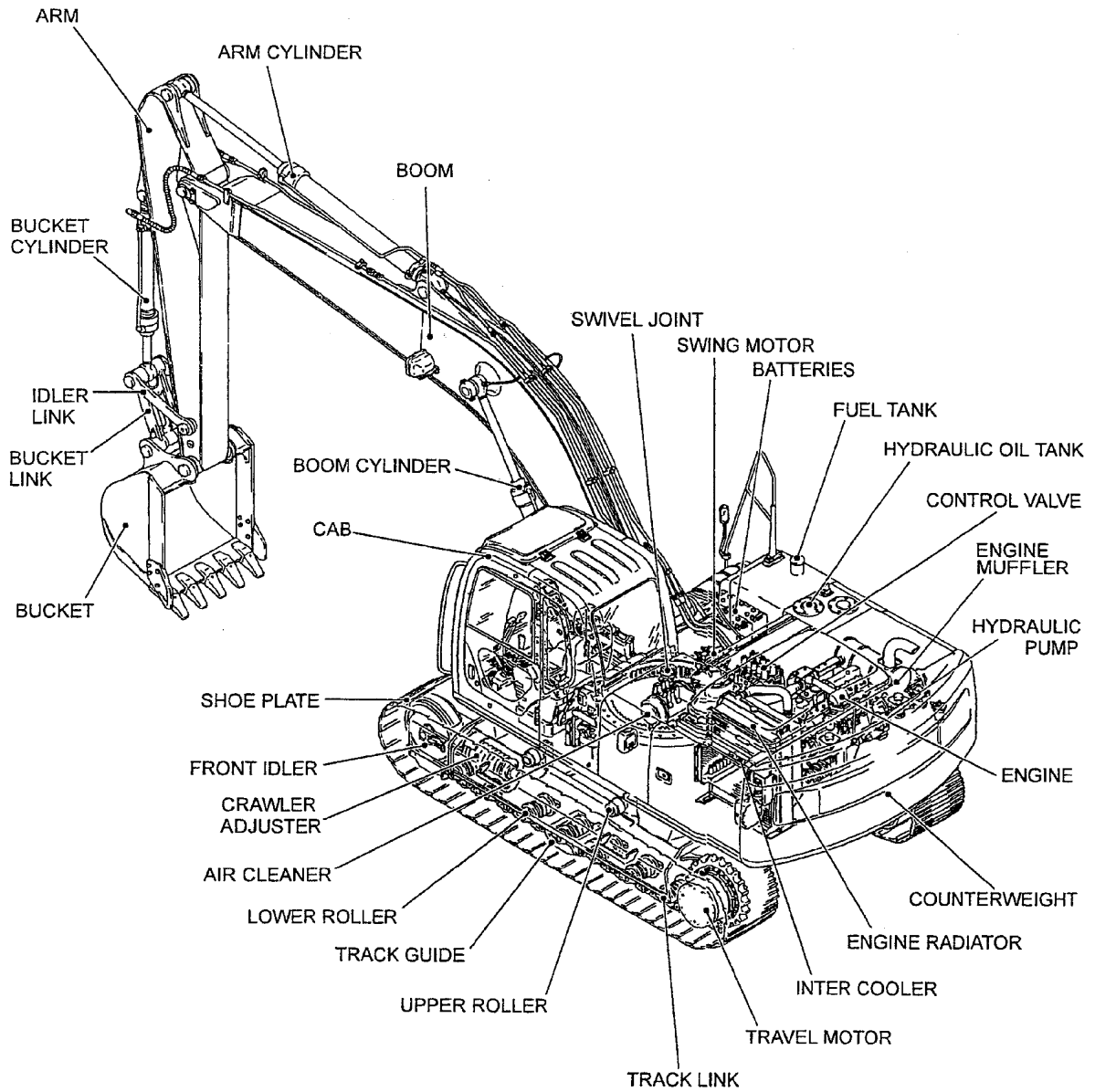
1. NAME OF COMPONENTS	1
2. GENERAL DIMENSIONS	2
3. WEIGHT OF COMPONENTS	4
4. TRANSPORTATION	5
5. LIFTING DIAGRAM	8
6. SPECIFICATIONS AND PERFORMANCE	15
7. TYPE OF CRAWLER	16
8. TYPE OF BUCKET	17
9. COMBINATIONS OF ATTACHMENT	17
10. ENGINE SPECIFICATIONS	18

KOBELCO CONSTRUCTION MACHINERY CO., LTD.

Applicable Machines
LC07-06001~
YC07-02801~

Revision	Date of Issue	Remarks
First edition	November, 2001	S5LC0208E K

1. NAME OF COMPONENTS



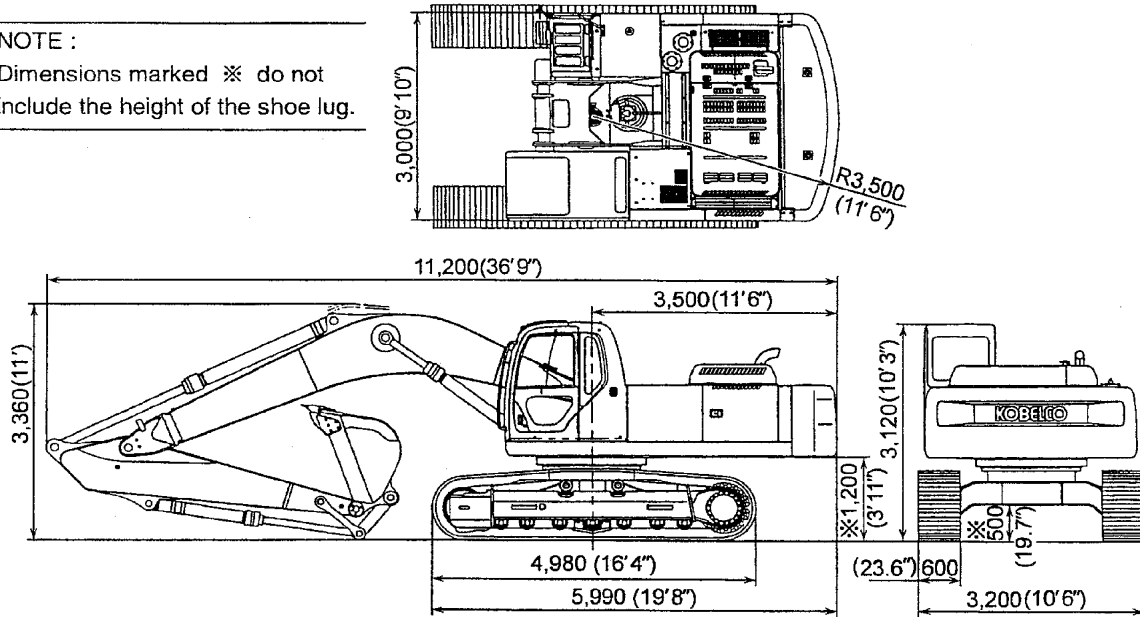
2. GENERAL DIMENSIONS

SK330LC-6E

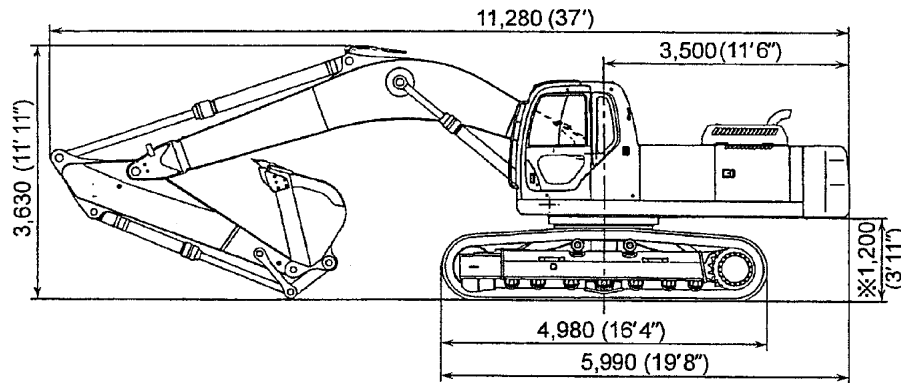
Unit : mm (ft-in)

2.1 6.50m (21' 4") Boom+3.30m (10' 10") Standard Arm+1.40m³ (1.83cu-yd) Bucket+600mm (23.6") Shoe

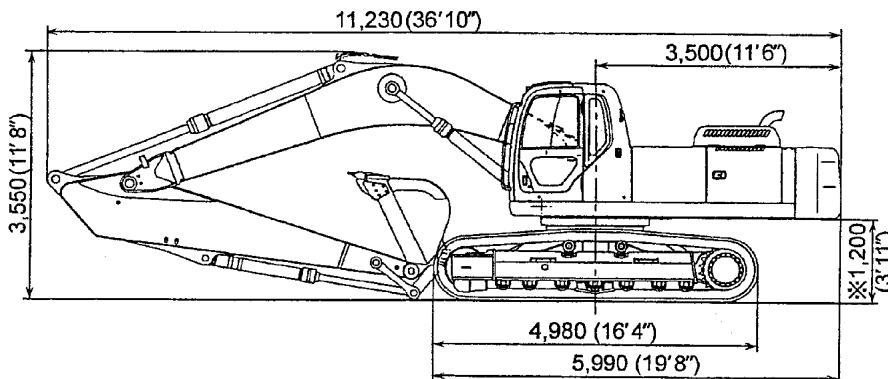
NOTE :
Dimensions marked ※ do not include the height of the shoe lug.



2.2 6.50m (21' 4") Boom+2.60m (8' 6") Short Arm+1.60m³ (2.09cu-yd) Bucket+600mm (23.6") Shoe



2.3 6.50m (21' 4") Boom+4.15m (13' 7") Long Arm+1.20m³ (1.57cu-yd) Bucket+600mm (23.6") Shoe



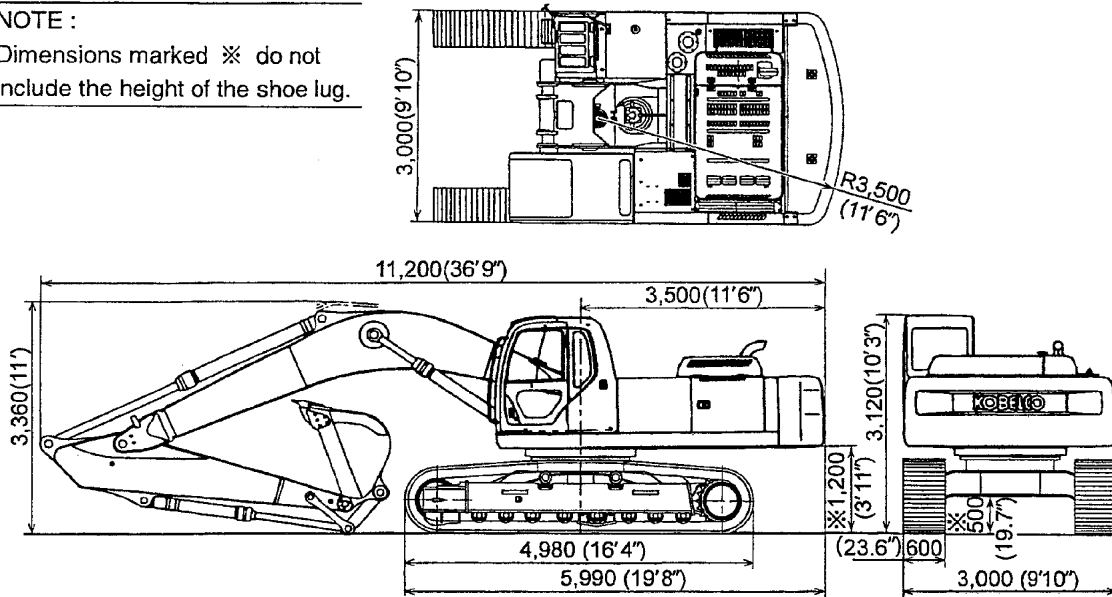
SK330NLC-6E

Unit : mm (ft-in)

2.4 6.50m (21' 4") Boom+3.3m (10' 10") Standard Arm+1.40m³ (1.83cu-yd) Bucket+600mm (23.6") Shoe

NOTE :

Dimensions marked ※ do not include the height of the shoe lug.





Suggest:

For more complete manuals. Please go to the home page.

<https://www.ebooklibonline.com>

If the above button click is invalid. Please download this document first, and then click the above link to download the complete manual.

Thank you so much for reading

3. WEIGHT OF COMPONENTS

Unit : kg (lbs)

Item	Model	SK330LC-6E 600mm(23.6")Shoe	SK330LC-6E 800mm(31.5")Shoe	SK330NLC-6E
	Machine complete		33,800 (74,500)	35,100 (77,400)
1. Upper frame assy (including the following :)		16,310 (35,950)	←	←
1.1 Upper frame		3,010 (6,640)	←	←
1.2 Counterweight		8,400 (18,510)	←	←
1.3 Cab		260 (570)	←	←
1.4 Engine		※ 580 (1,280)	←	←
1.5 Hydraulic oil tank		172 (380)	←	←
1.6 Fuel tank		204 (450)	←	←
1.7 Slewing motor (including reduction unit)		※ 510 (1,120)	←	←
1.8 Control valve		※ 170 (370)	←	←
1.9 Boom cylinder		※ 270 (600)×2	←	←
1.10 Pin (for mounting boom)		80 (176)	←	←
1.11 Pump		※ 126 (280)	←	←
1.12 Radiator		170 (370)	←	←
2. Lower frame assy (including the following :)		11,430 (25,200)	←	11,340 (25,000)
2.1 Lower frame		3,930 (8,670)	←	3,840 (8,470)
2.2 Slewing bearing		585 (1,290)	←	←
2.3 Travel motor (including reduction unit)		※ 360 (790)×2	←	←
2.4 Upper roller		30 (66)×4	←	←
2.5 Lower roller		58 (130)×16	←	←
2.6 Front idler		170 (370)×2	←	←
2.7 Idler adjuster		190 (420)×2	←	←
2.8 Sprocket		88 (190)×2	←	←
2.9 Swivel joint		30 (66)	←	←
2.10 Track link with 600mm (23.6in) shoes assy		1,995 (4,400)×2	—	←
Track link with 800mm (31.5in) shoes assy		—	2,610 (5,760)×2	←
2.10.1 Track link assy		900 (1,980)×2	←	←
3. Attachment (including the following / STD :)		6,000 (13,200)	←	←
(6.5m (21ft-4in) Boom+3.3m (10ft-10in) Arm +1.4m ³ (1.83cu.yd) Bucket)				
3.1 Bucket assy (STD)		1,040 (2,290)	←	←
3.2 STD Arm assy (including the following :)		1,770 (3,900)	←	←
3.2.1 STD Arm		1,160 (2,560)	←	←
3.2.2 Bucket cylinder		※ 260 (570)	←	←
3.2.3 Idler link		27 (60)×2	←	←
3.2.4 Bucket link		130 (290)	←	←
3.2.5 Pin (2pcs. for mounting bucket cylinder / 2pcs. for mounting bucket)		115 (250)	←	←
3.3 Boom assy		3,180 (7,010)	←	←
3.3.1 Boom		2,580 (5,690)	←	←
3.3.2 Arm cylinder		※ 500 (1,100)	←	←
3.3.3 Pin (Mounting arm · Mounting arm cylinder)		98 (216)	←	←
4. Lubricant and water (including the following :)		830 (1,830)	←	←
4.1 Hydraulic oil		304 (670)	←	←
4.2 Engine oil		25 (55)	←	←
4.3 Fuel		466 (1,030)	←	←
4.4 Water		35 (77)	←	←

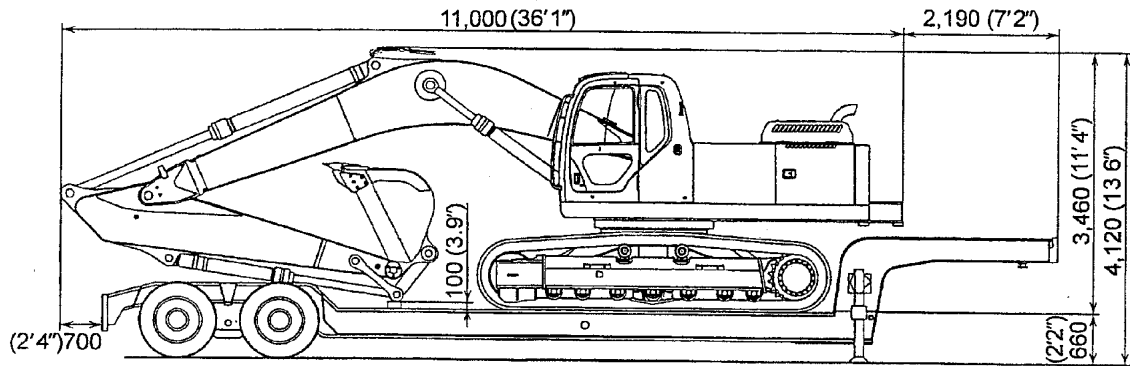
NOTE : Numerical values marked ※ indicate the dry weight.

4. TRANSPORTATION

4.1 DIMENSIONS OF MACHINE ON A TRAILER (WITHOUT COUNTERWEIGHT)

(1) 6.50m (21ft-4in) Boom+3.30m (10ft-10in) Arm+1.40m³ (1.83cu-yd) Bucket

Item	Model	SK330LC-6E	SK330NLC-6E	
Width	600mm (23.6in) shoes	mm(ft-in)	3,200 (10' 6")	3,000 (9' 10")
Weight	kg(lbs)	25,400(56,000)	25,300 (55,800)	



Unit : mm (ft-in)

<https://www.ebooklibonline.com>

Hello dear friend!

Thank you very much for reading.

Enter the link into your browser.

The full manual is available for immediate download.

<https://www.ebooklibonline.com>