

KOBELCO

SHOP MANUAL

HYDRAULIC EXCAVATOR

SK200III

SK200LCIII

Applicable: SK200III YQU0401~

Applicable: SK200LCIII YNU0001~

S5YQU0003E-04

07/03

WARNING

SAFETY

WARNING

The proper and safe lubrication and maintenance for this machine, recommended by KOBELCO are outlined in the OPERATION & MAINTENANCE GUIDE for this machine.

Improper performance of lubrication or maintenance procedures is dangerous and could result in injury or death. Read and understand the OPERATION & MAINTENANCE GUIDE before performing any lubrication or maintenance.

The serviceman or mechanic may be unfamiliar with many of the systems on this machine. This makes it important to use caution when performing service work. A knowledge of the system and/or components is important before the removal or disassembly of any component.

Because of the size of some of the machine components, the serviceman or mechanic should check the weights noted in this Manual. Use proper lifting procedures when removing any components.

Following is a list of basic precautions that should always be observed.

1. Read and understand all Warning plates and decals on the machine before operating, lubricating or repairing this product.
2. Always wear protective glasses and protective shoes when working around machines. In particular, wear protective glasses when pounding on any part of the machine or its attachments with a hammer or sledge. Use welders gloves, hood/goggles, apron and other protective clothing appropriate to the welding job being performed. Do not wear loose-fitting or torn clothing. Remove all rings from fingers when working on machinery.
3. Disconnect battery and discharge any capacitors before starting to work on machine. Hang "Do Not Operate" tag in the Operator's Compartment.
4. If possible, make all repairs with the machine parked on a level, hard surface. Block machine so it does not roll while working on or under machine.
5. Do not work on any machine that is supported only by lift jacks or a hoist. Always use blocks or jack stands to support the machine before performing any disassembly.

WARNING

Do not operate this machine unless you have read and understand the instructions in the OPERATOR'S MANUAL. Improper machine operation is dangerous and could result in injury or death.

6. Relieve all pressure in air, oil or water systems before any lines, fittings or related items are disconnected or removed. Always make sure all raised components are blocked correctly and be alert for possible pressure when disconnecting any device from a system that utilizes pressure.
7. Lower the bucket, blade, ripper or other implements to the ground before performing any work on the machine. If this cannot be done, make sure the bucket, blade, ripper or other implement is blocked correctly to prevent it from dropping unexpectedly.
8. Use steps and grab handles when mounting or dismounting a machine. Clean any mud or debris from steps, walkways or work platforms before using. Always face machine when using steps, ladders and walkways. When it is not possible to use the designed access system, provide ladders, scaffolds, or work platforms to perform safe repair operations.
9. To avoid back injury, use a hoist when lifting components which weigh 23 kg (50 lbs) or more. Make sure all chains, hooks, slings, etc., are in good condition and are in the correct capacity. Be sure hooks are positioned correctly. Lifting eyes are not to be side loaded during a lifting operation.
10. To avoid burns, be alert for hot parts on machines which have just been stopped and hot fluids in lines, tubes and compartments.
11. Be careful when removing cover plates. Gradually back off the last two bolts or nuts located at opposite ends of the cover or device and pry cover loose to relieve any spring or other pressure, before removing the last two bolts or nuts completely.
12. Be careful when removing filler caps, breathers and plugs on the machine. Hold a rag over the cap or plug to prevent being sprayed or splashed by liquids under pressure. The danger is even greater if the machine has just been stopped because fluids can be hot.

 **WARNING**

13. Always use tools that are in good condition and be sure you understand how to use them before performing any service work.
 14. Reinstall all fasteners with same part number. Do not use a lesser quality fastener if replacements are necessary.
 15. Repairs which require welding should be performed only with the benefit of the appropriate reference information and by personnel adequately trained and knowledgeable in welding procedures. Make reference to "Techniques of Structural Repair Course". Determine type of metal being welded and select correct welding procedure and electrodes, rods or wire to provide a weld metal strength equivalent at least to that of parent metal.
 16. Do not damage wiring during removal operations. Reinstall the wiring so it is not damaged nor will it be damaged in operation by contacting sharp corners, or by rubbing against some object or hot surface. Do not connect wiring to a line containing fluid.
 17. Be sure all protective devices including guards and shields are properly installed and functioning correctly before starting a repair. If a guard or shield must be removed to perform the repair work, use extra caution.
 18. Always use lift arm supports to keep bucket arms raised and bucket tilted down when maintenance or repair work is performed which requires the bucket in the raised position.
 19. Loose or damaged fuel, lubricant and hydraulic lines, tubes and hoses can cause fires. Do not bend or strike high pressure lines or install ones which have been bent or damaged. Inspect lines, tubes and hoses carefully. Do not check for leaks with your hands. Pin hole (very small) leaks can result in a high velocity oil stream that will be invisible close to the hose. This oil can penetrate the skin and cause personal injury. Use cardboard or paper to locate pin hole leaks.
 20. Tighten connections to the correct torque. Make sure that all heat shields, clamps and guards are installed correctly to avoid excessive heat, vibration or rubbing against other parts during operation. Shields that protect against oil spray onto hot exhaust components in event of a line, tube or seal failure must be installed correctly.
 21. Do not operate a machine if any rotating part is damaged or contacts any other part during operation. Any high speed rotating component that has been damaged or altered should be checked for balance before reusing.
 22. On track-type machines, be careful when servicing or separating tracks. Chips can fly when removing or installing a track pin. Wear safety glasses. Track can unroll very quickly when separated. Keep away from front and rear of machine. The machine can move unexpectedly when both tracks are disengaged from the sprockets. Block the machine to prevent it from moving.
 23. Caution should be used to avoid breathing dust that may be generated when handling components containing asbestos fibers. If this dust is inhaled, it can be hazardous to your health. Components in KOBELCO products that may contain asbestos fibers are brake pads, brake band and lining assemblies, clutch plates and some gaskets. The asbestos used in these components is usually bound in a resin or sealed in some way. Normal handling is not hazardous as long as airborne dust which contains asbestos is not generated.
- If dust which may contain asbestos is present, there are several common sense guidelines that should be followed.
- a. Never use compressed air for cleaning.
 - b. Avoid brushing or grinding of asbestos containing materials.
 - c. For clean up, use wet methods or a vacuum equipped with a high efficiency particulate air (HEPA) filter.
 - d. Use exhaust ventilation on permanent machining jobs.
 - e. Wear an approved respirator if there is no other way to control the dust.
 - f. Comply with applicable rules and regulations for the work place.
 - g. Follow environmental rules and regulations for disposal of asbestos.
 - h. Avoid areas where asbestos particles may be in the air.

<https://www.ebooklibonline.com>

Hello dear friend!

Thank you very much for reading.

Enter the link into your browser.

The full manual is available for immediate download.

<https://www.ebooklibonline.com>

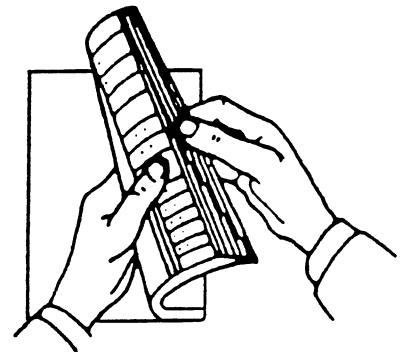
SHOP MANUAL

SK 200 model SK 200LC

TABLE OF CONTENTS

1. SPECIFICATION	YQU01
2. OPERATION AND CONTROLS (Refer to Operators Manual)	
3. LOCATION AND WEIGHT OF COMPONENTS	YQU03
4. MAINTENANCE STANDARDS AND TEST PROCEDURES	YQU04
5. TROUBLESHOOTING	YQU05
6. PREVENTIVE MAINTENANCE (Refer to Operators Manual)	
7. WORKING STANDARDS	YQU07

○How to Index each Shop Manual Section
The GENERAL of this shop manual consists of 7 headings as shown above. Each section can be easily referred to by indexes appended to the margin of the page as indicated on the right. Please use the indexes for speedy reference.



KOBELCO

SHOP MANUAL

Book code No. S5 YQU01_{03E}①

SK 200 SK 200LC

YQU01

SPECIFICATION

TABLE OF CONTENTS

1. LOCATION OF COMPONENTS	1
2. GENERAL DIMENSIONS	2
3. SPECIFICATIONS AND PERFORMANCE	4
4. TYPE OF SHOES	5
5. TYPE AND COMBINATION OF ATTACHMENTS	6
6. WORKING RANGES OF ATTACHMENTS	8
7. LIFTING-UP ABILITY DIAGRAM	11
8. ENGINE SPECIFICATIONS	18

KOBELCO CONSTRUCTION MACHINERY(U.S.A.) INC.

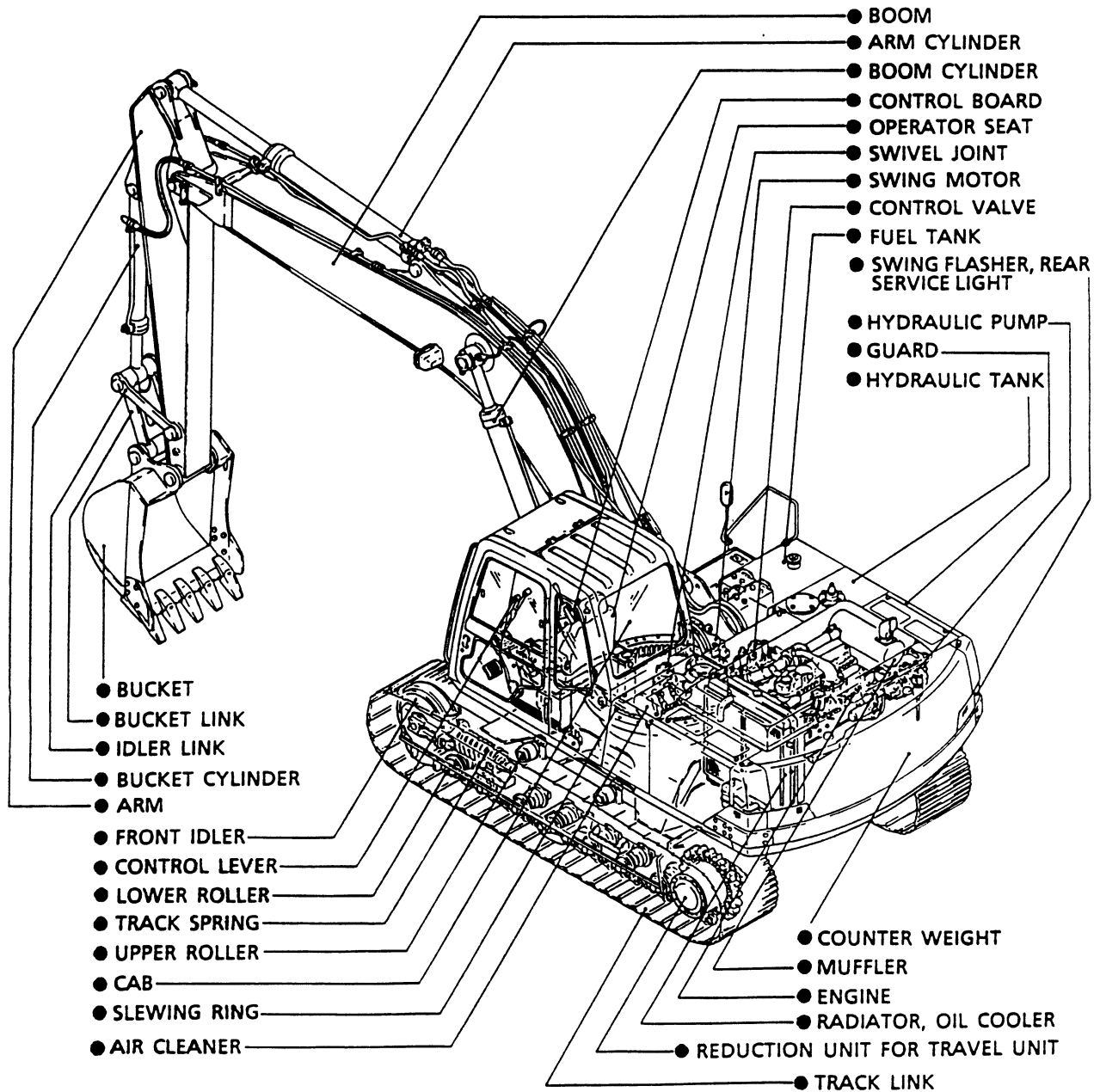
Applicable Machines

YNU-00001~

YQU-00701~

Revision	Date of Issue	Remarks
First edition	October, 1990	S5YQU0103E K
First revision	March, 1992	S5YQU0103E① K

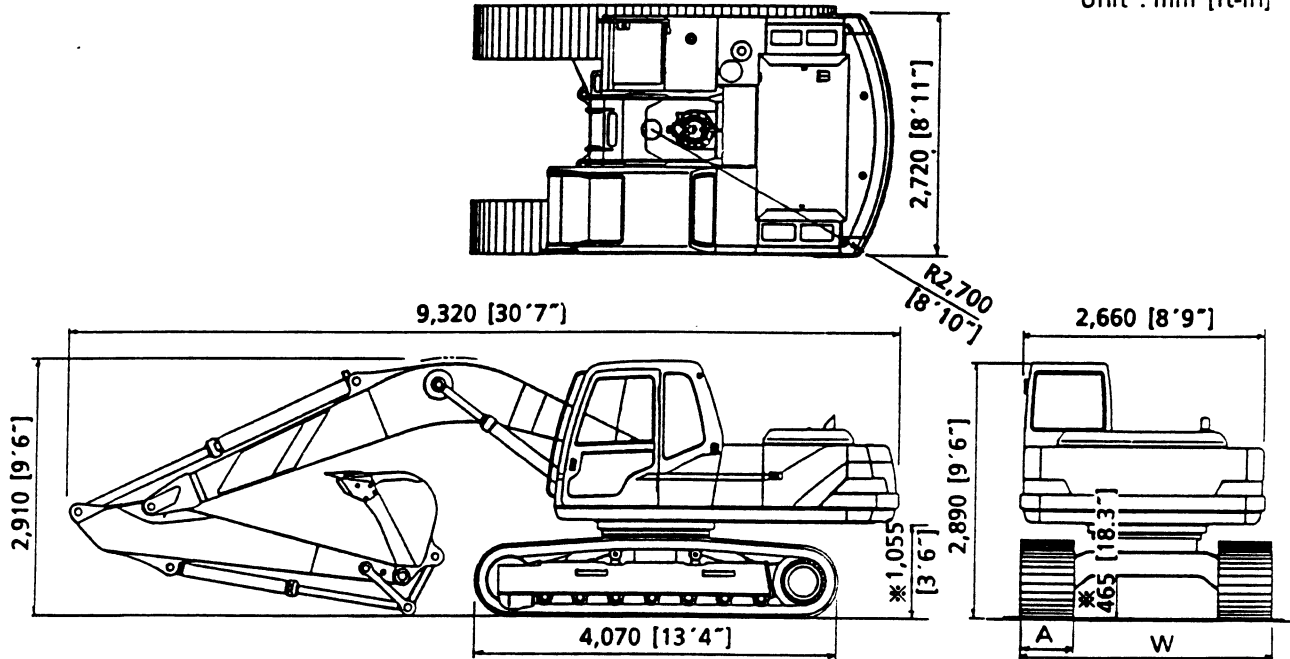
1. LOCATION OF COMPONENTS



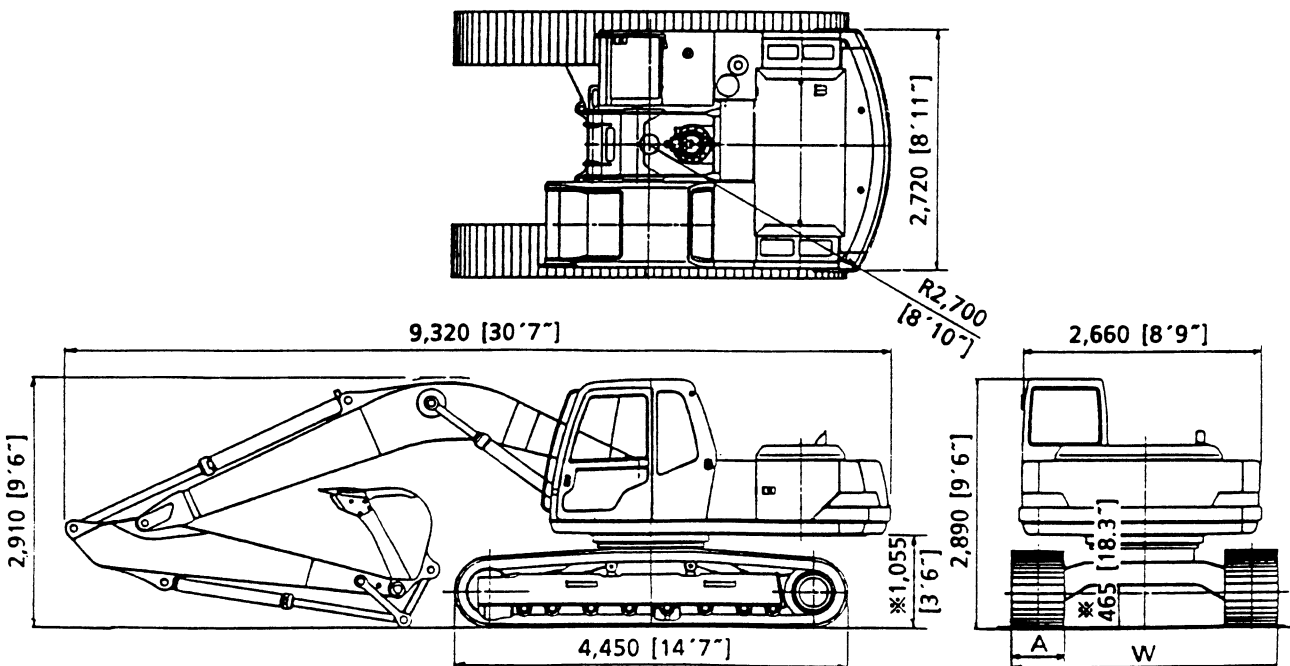
2. GENERAL DIMENSIONS

■ SK200 (5.6m (18ft 4in) BOOM + 2.94m (9ft 8in) ARM-ATTACHED STANDARD MACHINE)

Unit : mm [ft-in]



■ SK200Lc (5.6m (18ft 4in) BOOM + 2.94m (9ft 8in) ARM-ATTACHED STANDARD MACHINE)



☞ The figures marked * in the illustration do not include the shoe embossment (25mm) (0.98").



Suggest:

For more complete manuals. Please go to the home page.

<https://www.ebooklibonline.com>

If the above button click is invalid. Please download this document first, and then click the above link to download the complete manual.

Thank you so much for reading

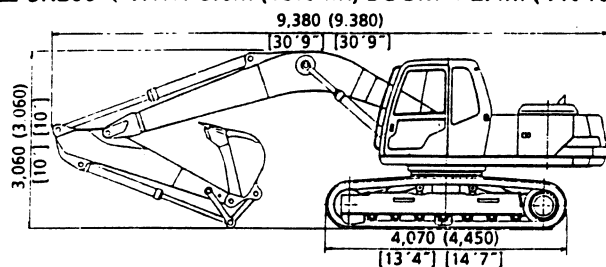
■ Overall width of crawler and width of track shoe

○ Standard
△ Option

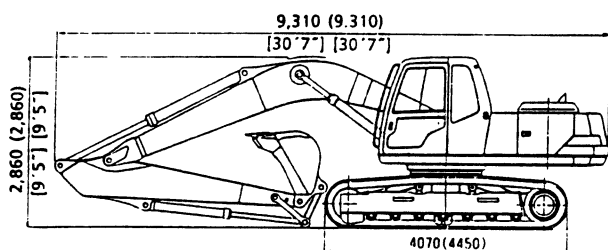
	A	W	AMERICA					EUROPA							
	Width of track shoe mm (in)	Overall width of crawler mm (in)	CANADA	KAI		COLOMBIA	CHILE	U.K.	NETH.	BELGIUM	PORTUGAL	GERMANY	FRANCE	AUSTRIA	SWITZERLAND
SK200	600 (24")	2,800 (9'2")				○	○				○			○	○
	700 (28")	2,900 (9'6")						○	△	○	△				
	800 (32")	3,000 (9'10")							○	△					
SK200LC	600 (24")	2,990 (9'9")				○	○				○			○	○
	700 (28")	3,090 (10'2")						○	△	○	△				
	800 (32")	3,190 (10'6")	○	○					○	△					

■ SK200 (WITH 5.6m (18ft 4in) BOOM + 2.4m (7ft 10in) ARM)

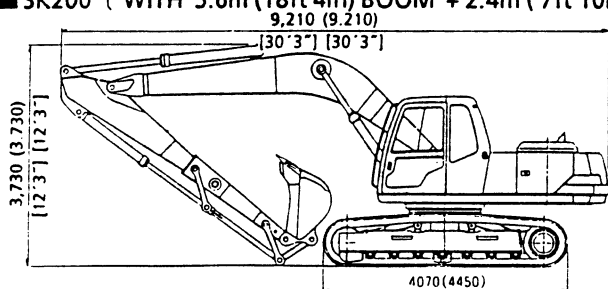
Unit : mm (ft - in)



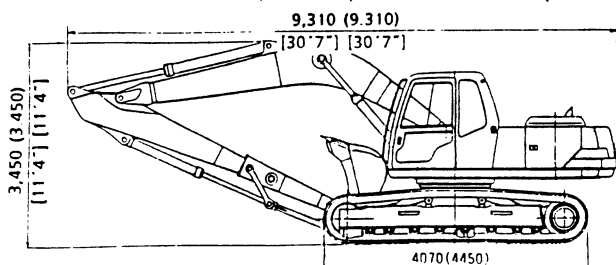
■ SK200 (WITH 5.6m (18ft 4in) BOOM + 3.3m (10ft 10in) ARM)



■ SK200 (WITH 5.6m (18ft 4in) BOOM + 2.4m (7ft 10in) ARM + 1.5m (4ft 11in) EXTENSION ARM)



■ SK200 (WITH 5.6m (18ft 4in) BOOM + 2.94m (9ft 8in) ARM + 1.5m (4ft 11in) EXTENSION ARM)



☞ SK200LC has the dimensions given in parentheses ().

3. SPECIFICATIONS AND PERFORMANCE

■ SPEED AND CLIMBING ABILITY

Item	Model	SK200Lc
Swing speed		13rpm
Travel speed		7/4km/h (4.3/2.5 MPH)
Gradeability		35° (70%)

■ ENGINE

Model		Mitsubishi 6 D31T	
Type		Water-cooled 4-cycle, direct injection type with exhaust turbo supercharger	
Number of cylinder - Bore x Stroke		6 - 100mm(3.94in) x 105mm(4.13in)	
Total displacement		4,948c.c. (302cuin)	
Rated output power/revolution	JISD1005 Net	※	135ps/2,150rpm
	SAEJ1349 Net	※	133ps/2,150rpm
	DIN 6270 Net	※	135ps/2,150rpm
Maximum torque/revolution	JISD1005 Net		47kgf·m / 1,700rpm
	SAEJ1349 Net		339 lb·ft / 1,700rpm
	DIN 6270 Net		47kgf·m / 1,700rpm

※ Mounted for air cleaner, alternator and no muffler.

■ HYDRAULIC COMPONENTS

Hydraulic pump	Double-pump variable displacement, axial piston + gear pump
Hydraulic motor (swing)	Axial piston motor
Hydraulic motor (travel)	Axial piston motor
Control valve	5-section multiple control valve + 1-section control valve (swing)
Cylinders (boom, arm, and bucket)	Double acting cylinder
Return filter	Safety valve containing filter type
Oil cooler	Air-cooled type

■ WEIGHT

Unit : kg (lbs)

Item	Model	SK200			SK200Lc		
		18,700(41,200)	18,850(41,600)	19,000(41,900)	19,500(43,000)	19,850(43,800)	20,200(44,500)
Fully-equipped weight		18,700(41,200)	18,850(41,600)	19,000(41,900)	19,500(43,000)	19,850(43,800)	20,200(44,500)
Upper machinery		8,660(19,100)	←	←	←	←	←
Lower machinery with grouser shoe	600 (24")	6,780(14,900)	—	—	7,580(16,700)	—	—
	700 (28")	—	6,930(15,300)	—	—	7,930(17,500)	—
	800 (32")	—	—	7,075(15,600)	—	—	8,280(18,200)
5.6m(18'4") boom + 2.94m (9'8") arm + 0.7m ³ (0.92cuyd) bucket		3,260(7,200)	←	←	←	←	←

<https://www.ebooklibonline.com>

Hello dear friend!

Thank you very much for reading.

Enter the link into your browser.

The full manual is available for immediate download.

<https://www.ebooklibonline.com>