

KOBELCO

SERVICE MANUAL

**HYDRAULIC EXCAVATOR
SK150LC III**

SHOP MANUAL

model

SK150LCIII

TABLE OF CONTENTS

1. SPECIFICATION
2. OPERATION AND CONTROLS (Refer to Operators Manual)
3. LOCATION AND WEIGHT OF COMPONENTS
4. MAINTENANCE STANDARDS AND TEST PROCEDURES
5. TROUBLESHOOTING
6. PREVENTIVE MAINTENANCE (Refer to Operators Manual)
7. WORKING STANDARDS

YM01

YM03

YM04

YM05

YM07

○How to Index each Shop Manual Section

The GENERAL of this shop manual consists of 7 headings as shown above. Each section can be easily referred to by indexes appended to the margin of the page as indicated on the right. Please use the indexes for speedy reference.

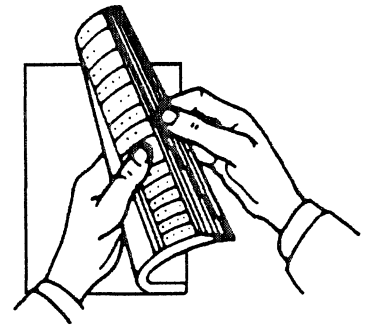
⚠ WARNING

The proper and safe lubrication and maintenance for this machine, recommended by KOBELCO are outlined in the OPERATION & MAINTENANCE GUIDE for this machine.

Improper performance of lubrication or maintenance procedures is dangerous and could result in injury or death. Read and understand the OPERATION & MAINTENANCE GUIDE before performing any lubrication or maintenance.

⚠ WARNING

Do not operate this machine unless you have read and understand the instructions in the OPERATOR'S MANUAL. Improper machine operation is dangerous and could result in injury or death.



KOBELCO

GENERAL

SK150_{LcIII} List of Shop Manual GENERAL Section

Index No.	Title	Book Code No.		
		Distribution Year - Month		
YM01	SPECIFICATION	S5YM0101E 1993-02		
—	OPERATION	S2YM1001E Refer to Operators manual		
YM03	LOCATION AND WEIGHT OF COMPONENTS	S5YM0301E 1993-02		
YM04	MAINTENANCE STANDARDS AND TEST PROCEDURES	—		
YM05	TROUBLESHOOTING	S5YM0501E 1993-02		
—	PREVENTIVE MAINTENANCE	S2YM1001E Refer to Operators manual		
YM07	WORKING STANDARDS	S5YM0701E 1993-02		
	Applicable Machines	YM-00101~		

<https://www.ebooklibonline.com>

Hello dear friend!

Thank you very much for reading.

Enter the link into your browser.

The full manual is available for immediate download.

<https://www.ebooklibonline.com>

KOBELCO

SHOP MANUAL

SK150LcIII

YM01

SPECIFICATION

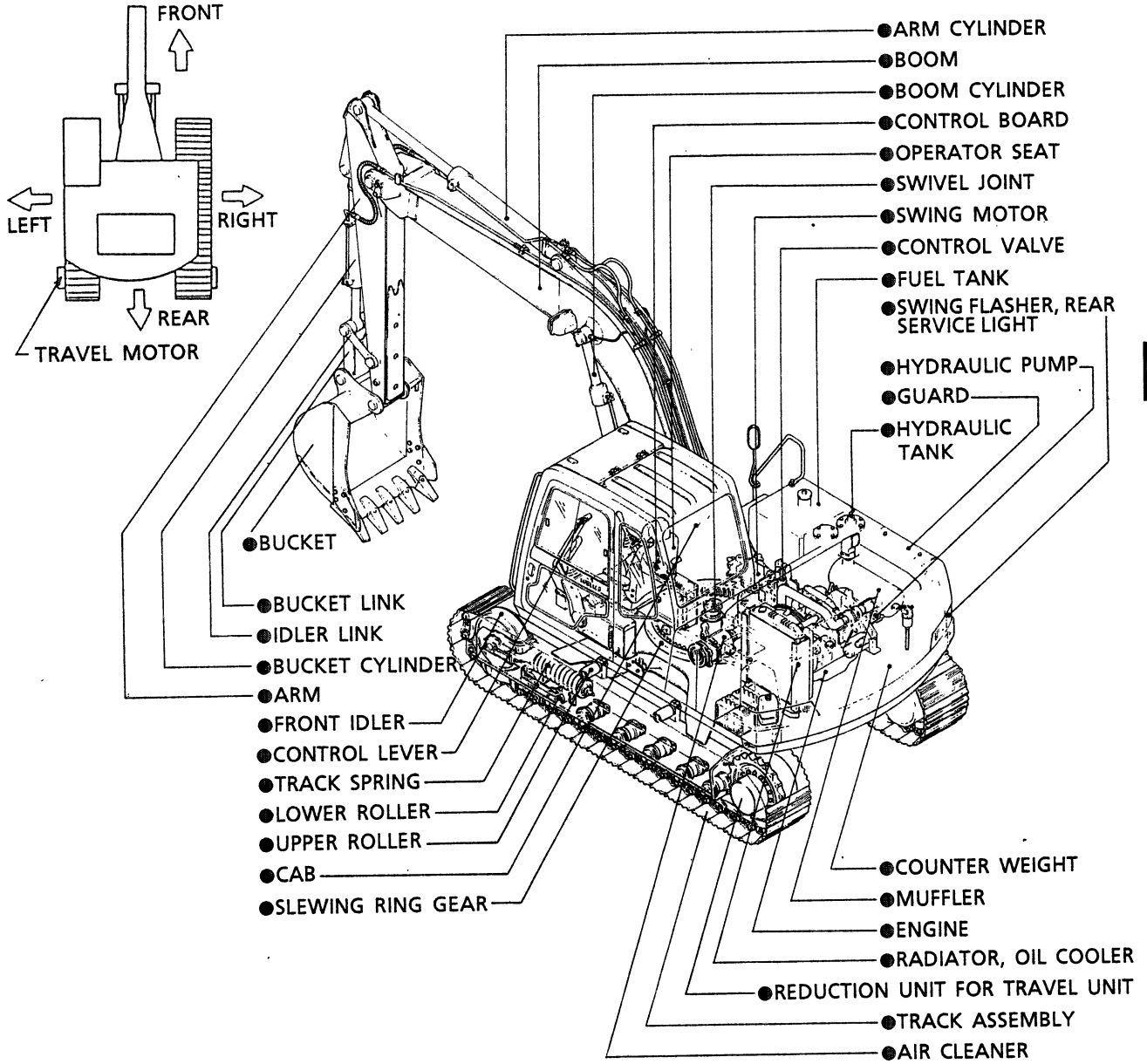
TABLE OF CONTENTS

1. LOCATION OF COMPONENTS	1
2. GENERAL DIMENSIONS	2
3. SPECIFICATIONS AND PERFORMANCE	4
4. TYPE OF SHOES	5
5. TYPE AND COMBINATION OF ATTACHMENTS	5
6. WORKING RANGES OF ATTACHMENTS	6
7. LIFTING DIAGRAM	7
8. ENGINE SPECIFICATIONS	12

Applicable Machines
YM-00101~

Revision	Date of Issue	Remarks
First edition	February, 1993	S5YM0101E K

1. LOCATION OF COMPONENTS

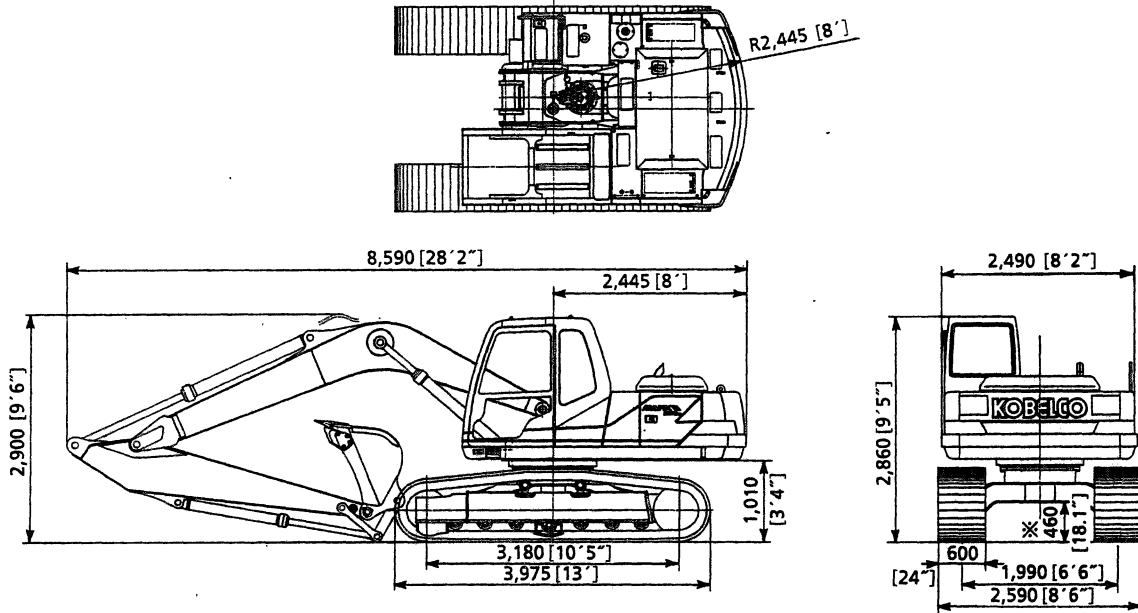


2. GENERAL DIMENSIONS

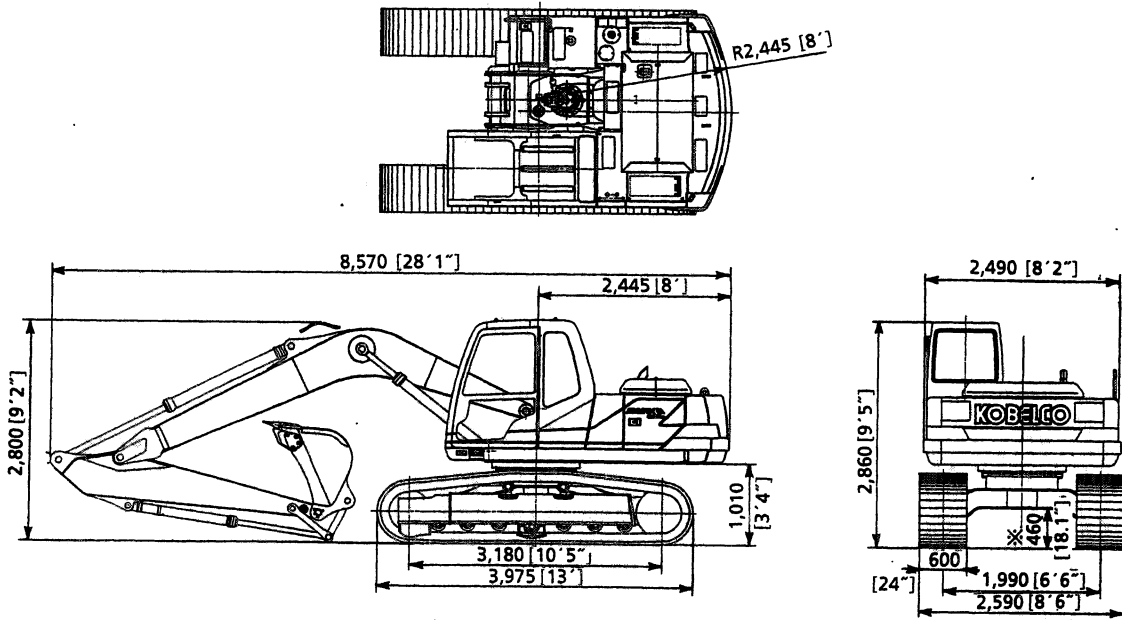
■ WITH 5.15m(16ft 11in) BOOM+3.06m (10ft) ARM-ATTACHED STANDARD MACHINE

※Marked dimensions are not included height of lug shoe.

Unit : mm [ft-in]

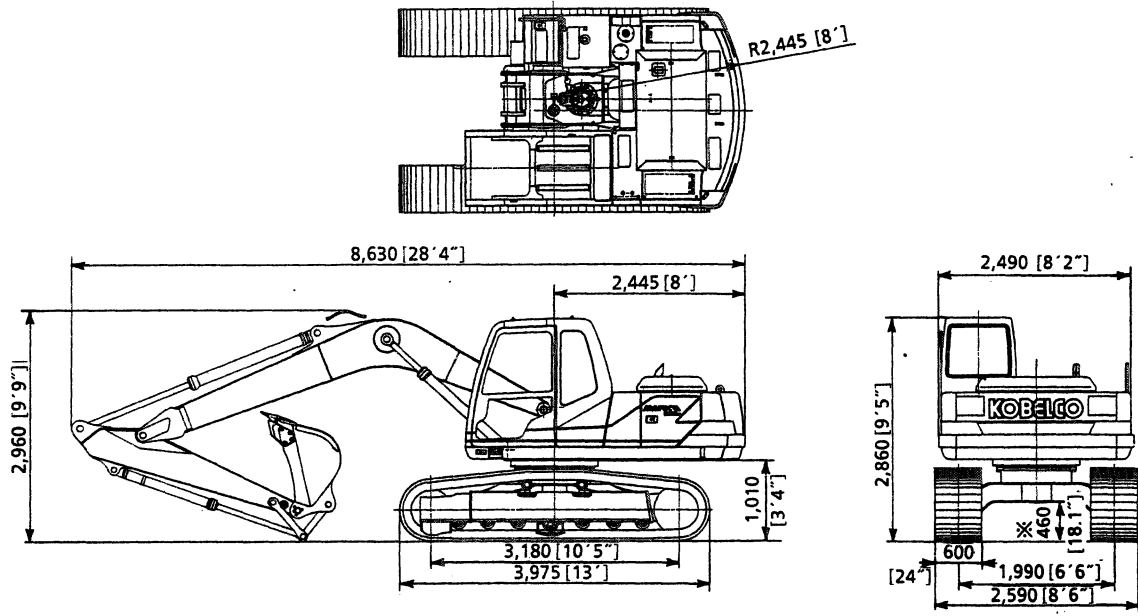


■ WITH 5.15m(16ft 11in) BOOM+2.6m (8ft 6in) ARM-ATTACHED MACHINE



■ WITH 5.15m (16ft 11in) BOOM + 2.2m (7ft 3in) ARM-ATTACHED MACHINE

Unit : mm [ft-in]





Suggest:

For more complete manuals. Please go to the home page.

<https://www.ebooklibonline.com>

If the above button click is invalid. Please download this document first, and then click the above link to download the complete manual.

Thank you so much for reading

3. SPECIFICATIONS AND PERFORMANCE

■ SPEED AND CLIMBING ABILITY

Item	Model	SK150LcIII
Swing speed		11.4rpm
Travel speed		6.0 / 3.6km / h (3.7 / 2.2 MPH)
Gradeability		35° (70%)

■ ENGINE

Item	Model	SK150LcIII
Model		ISUZU 4BD1T
Type		4-cycle, water-cooled direct injection type with turbo charger
Number of cylinder-Bore×Stroke		4-102mm(4in)×118mm(4.64in)
Total displacement		3,856c.c. (235cuin)
Rated output power/revolution	JISD1005 Net	※ 100ps / 2,300rpm
	SAE1349 Net	※ 100 HP / 2,300rpm
	DIN 6270B Net	※ 100ps / 2,300rpm
Maximum torque/revolution	JISD1005 Net	32.5kgf·m / 1,600rpm
	SAE1349 Net	235.1lb·ft / 1,600rpm
	DIN 6270B Net	32.5kgf·m / 1,600rpm

 ※ Mounted for air cleaner, alternator and no muffler.

■ HYDRAULIC COMPONENTS


Item	Model	SK150LcIII
Hydraulic pump		Double-pump variable displacement, axial piston + gear pump
Hydraulic motor (swing)		Axial piston motor
Hydraulic motor (travel)		Axial piston motor
Control valve		5-section multiple control valve + 1-section control valve (swing)
Cylinders (boom, arm, and bucket)		Double acting cylinder
Return filter		Safety valve containing filter type
Oil cooler		Air-cooled type

■ WEIGHT

	Unit : kg (lbs)		
Fully-equipped weight	15,300(33,700)	15,650(34,500)	16,000(35,300)
Upper machinery	6,360 (14,000)	←	←
Lower machinery (with 500mm (20") groser shoe)	6,190 (13,600)	—	—
Lower machinery (with 600mm (24") groser shoe)	—	6,350 (14,000)	—
Lower machinery (with 700mm (28") groser shoe)	—	—	6,890 (15,200)
Attachment [5.15m(16ft 11in) boom + 3.06m (10ft) arm + 0.47m ³ (0.61 cu yd) bucket]	2,750 (6,060)	←	←

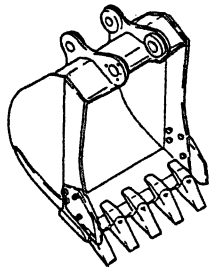
4. TYPE OF SHOES

■ TYPE OF SHOES

Shape	Model	Width of track shoe [mm(ft-in)]	Overall width of crawler [mm(ft-in)]	Ground contact pressure [kg/cm ² (psi)]
 Grouser(equal height)	Links : 44	500(20")	2,490(8'2")	0.44(6.30)
		600(24")	2,590(8'6")	0.37(5.30)
		700(27")	2,690(8'10")	0.32(4.60)

● 700mm (27") shoes, are for use in general construction work at earth, sand sites. Do not use in gravel pits or rocky areas.

■ TYPE OF BUCKETS

HOE BUCKET	Heaped capacity m ³ (cuyd)	Outside width of bucket mm (ft in)		No. of teeth	Equipped with side cutter	Possibility of turnover	Weight kg (lbs)
		With side cutter	Without side cutter				
	0.47(0.61)	954 (3' 2")	854(2' 10")	5	Yes	Yes	420 (930)
	0.55(0.72)	1,075(3' 6")	975(3' 2")	5	Yes	Yes	450 (990)
	0.70(0.92)	1,280(4' 2")	1,180(3' 10")	5	Yes	Yes	520 (1,150)

5. TYPE AND COMBINATION OF ATTACHMENTS

■ COMBINATIONS OF ATTACHMENTS

Type	Bucket			Applicable arm		
	JIS heaped capacity m ³ (cu yd)	SAE heaped capacity m ³ (cu yd)	JIS-SAE struck capacity m ³ (cu yd)	2.2m (7ft-3in) arm	2.6m (8ft-6in) arm	3.06m (10ft) arm
Hoe bucket	0.47 (0.61)	0.53 (0.69)	0.39 (0.51)	○	○	◎
	0.55 (0.72)	0.63 (0.82)	0.45 (0.59)	○	◎	△
	0.70 (0.92)	0.82 (1.07)	0.50 (0.65)	◎	△	×
Breaker	—	—	—	○	○	○

- ◎ Standard combinations
 ○ General operation : Digging and loading of sand, gravels and clay-mixed soil
 △ Light operation : Operations mainly consisting of loading loose sand and soil (for instance, operations in paddy fields and loading of sand and gravels)
 × Not recommended :

⚠ CAUTION

If a bucket other than hoe buckets is used for a front (face) shovel operation, it will cause damage to the arm and the bucket.

- Combinations, other than those mentioned in the above table, cannot be used in principle. For further details, contact your KOBELCO distributor.

<https://www.ebooklibonline.com>

Hello dear friend!

Thank you very much for reading.

Enter the link into your browser.

The full manual is available for immediate download.

<https://www.ebooklibonline.com>