

KOBELCO

SERVICE MANUAL

HYDRAULIC EXCAVATOR

SK100 V

SK120 V

SK120LC V

**Mounting the Breaker and
Nibbler & Breaker**

Applicable: SK100-2 YW006501~ SK100L-2 LX010101~
Applicable: SK120-2 LP011001~ SK120LC-2 YP002301~
S6LP1304E-00 05/96

KOBELCO

SHOP MANUAL

SK100 v

SK120 v

SK120LC v

MOUNTING THE BREAKER AND NIBBLER & BREAKER

APPLICABLE: SK100-2 YW006501~
SK100L-2 LX010101~
SK120-2 LP011001~
SK120LC-2 YP002301~

BOOK CODE NO. S6LP1304E



Book code No. S6LP1304E

KOBELCO

SK100-2 SK120-2 SK100L-2 YW006501~
SK100LC-2 SK120LC-2 SK100L-2 LX010101~
SK120L-2 LP011001~
SK120LC-2 YP002301~

SHOP MANUAL

SK100v SK120v SK120LCv

LP13

MOUNTING THE BREAKER AND NIBBLER & BREAKER

TABLE OF CONTENTS

1. SUMMARY		4. MODIFICATION PROCEDURE FOR NIBBLER & BREAKER	
1.1 General Precautions	1	4.1 Floor Mattress	35
1.2 Basic Disposition to be Taken when Mounting	1	4.2 Modification of the Upper Frame	35
1.3 Laying of Piping	2	4.3 Install of the Control Valve (SK100v, SK120v)	35
1.4 Modification Item	3	4.4 Hydraulic Piping for Upper (Nibbler & Breaker)	36
1.5 Follow the Precautions Below when Mounting Hoses, Piping, and Joints	4	4.5 Remote Control Piping (Nibbler & Breaker)	43
1.6 Handling of the O ring Seal and Joint	4	4.6 Upper Harness (SK100v, SK120v)	49
1.7 Tightening the Torque of Joints and Hydraulic Hose	5	4.7 Reinforcing the Arm and the Idler Link	50
1.8 ORS blind plug (O ring seal type)	5	5. REMINDERS ON THE USE OF BREAKERS	
2. HYDRAULIC CIRCUIT DIAGRAM		5.1 Changing Over the Selector Valve	54
2.1 Function	6	5.2 Flushing Method	55
2.2 Hydraulic Components	12	5.3 Replacing Hydraulic Oil and Return Filter	55
3. MODIFICATION PROCEDURE BREAKER		5.4 The Work Mode	55
3.1 Floor Mattress	15	6. PRECAUTIONS TO BE EXERCISED ON BREAKERS OF DIFFERENT MANUFACTURERS	56
3.2 Modification of the Upper Frame	15	7. REFERENCE	58
3.3 Hydraulic Piping for Upper (Breaker)	16		
3.4 Remote Control Piping (Breaker)	19		
3.5 Upper Harness (SK100v, SK120v)	24		
3.6 Modification of the Attachments (SK100v)	25		
3.7 Modification of the Attachments (SK120v)	30		

 **KOBE STEEL, LTD.**



<https://www.ebooklibonline.com>

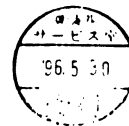
Hello dear friend!

Thank you very much for reading.

Enter the link into your browser.

The full manual is available for immediate download.

<https://www.ebooklibonline.com>



Book code No.

S6LP1304E

KOBELCO

SHOP MANUAL

SK100v SK120v SK120LCv

LP13

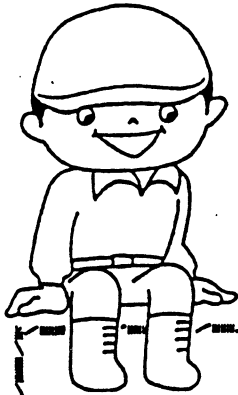
———— MOUNTING THE BREAKER AND NIBBLER & BREAKER ————

TABLE OF CONTENTS

1. SUMMARY			
1.1 General Precautions	1	
1.2 Basic Disposition to be Taken when Mounting	1	
1.3 Laying of Piping	2	
1.4 Modification Item	3	
1.5 Follow the Precautions Below when Mounting Hoses, Piping, and Joints	4	
1.6 Handling of the O ring Seal and Joint	4	
1.7 Tightening the Torque of Joints and Hydraulic Hose	5	
1.8 ORS blind plug (O ring seal type)	5	
2. HYDRAULIC CIRCUIT DIAGRAM			
2.1 Function	6	
2.2 Hydraulic Components	12	
3. MODIFICATION PROCEDURE BREAKER			
3.1 Floor Mattress	15	
3.2 Modification of the Upper Frame	15	
3.3 Hydraulic Piping for Upper (Breaker)	16	
3.4 Remote Control Piping (Breaker)	19	
3.5 Upper Harness (SK100v, SK120v)	24	
3.6 Modification of the Attachments (SK100v)	25	
3.7 Modification of the Attachments (SK120v)	30	
4. MODIFICATION PROCEDURE FOR NIBBLER & BREAKER			
4.1 Floor Mattress	35	
4.2 Modification of the Upper Frame	35	
4.3 Install of the Control Valve (SK100v, SK120v)	35	
4.4 Hydraulic Piping for Upper (Nibbler & Breaker)	36	
4.5 Remote Control Piping (Nibbler & Breaker)	43	
4.6 Upper Harness (SK100v, SK120v)	49	
4.7 Reinforcing the Arm and the Idler Link	50	
5. REMINDERS ON THE USE OF BREAKERS			
5.1 Changing Over the Selector Valve	54	
5.2 Flushing Method	55	
5.3 Replacing Hydraulic Oil and Return Filter	55	
5.4 The Work Mode	55	
6. PRECAUTIONS TO BE EXERCISED ON BREAKERS OF DIFFERENT MANUFACTURERS	56	
7. REFERENCE	58	

KOBELCO, LTD.





PREFACE

This manual deals with items necessary for changing a standard specification machine SK100v, SK120(LC)v to one with a breaker specification or a nibbler & breaker specification. Follow the procedure given here in when changing the machine specification in the field.

Models	Applicable Machines	Notes	Models	Applicable Machines	Notes
SK100 v	YW06501~				
SK120 v	LP11001~				
SK120LC v	YP02301~				

Revision	Date of Issue	Remarks
First edition	April, 1995	S6LP1304E K

1. SUMMARY

1.1 GENERAL PRECAUTIONS

- (1) Applications of Breakers or Nibblers & Breaker Breaker piping Applicable only when a breaker is mounted.
Nibbler & breaker piping Applicable only when a nibbler and a breaker are mounted.
- (2) Modifying a Breaker and a Nibbler & Breaker
There are specific procedures to be followed when modifying a breaker and a nibbler & breaker. Therefore, when they are to be modified at our service shop, contact the nearest breaker and nibbler manufacturer's office, and obtain instructions, so that you install the pipes and handle the machinery correctly.
- (3) Differences Between a Breaker Circuit and a Nibbler & Breaker Piping
 - Breaker Piping
There is a single oil flow from pump P1 to the breaker. The oil returns to the hydraulic tank directly via the line filter. The flow is uni-directional.
 - Nibbler Piping
The oil discharged from pumps P1 and P2 Combines together in the nibbler control valve and switches its flow and it actuates the nibbler. The flow is bidirectional.
- (3) Install a control valve, for switching the flow direction to the nibbler cylinder, to the nibbler-attachment device.
Also, install piping between the main control valve to remove the compressed oil from pump P2 through the main control valve.
- (4) For a machine equipped with a breaker and a nibbler & breaker, install a pressure sensor and apply electric wiring to the machine.
- (5) Install a selector valve, for switching the oil flow direction when using the breaker and the nibbler, to the nibbler & breaker attachment device.
- (6) Reinforce the arms of the nibbler & breaker attachment device with steel plates.
- (7) Arms longer than the standard one can not be used.
- (8) Do not fail to observe the seven items above when the breaker manufacturer performs piping work without using our genuine parts.

1.2 BASIC DISPOSITION TO BE TAKEN WHEN MOUNTING

When mounting a breaker and a nibbler (crusher), always execute the following seven items:

- (1) Install an option valve to the main control valve, to remove the compressed oil from pump P1 for the breaker and nibbler.
- (2) Always use a or line filter to the low pressure line (return circuit) of the breaker and return the oil directly to the tank.

If the return oil of the breaker is brought back to the control valve, the pulsation of the breaker is conveyed to the oil cooler and causes the machine to break down.

1.3 LAYING OF PIPING

(1) Breaker specification

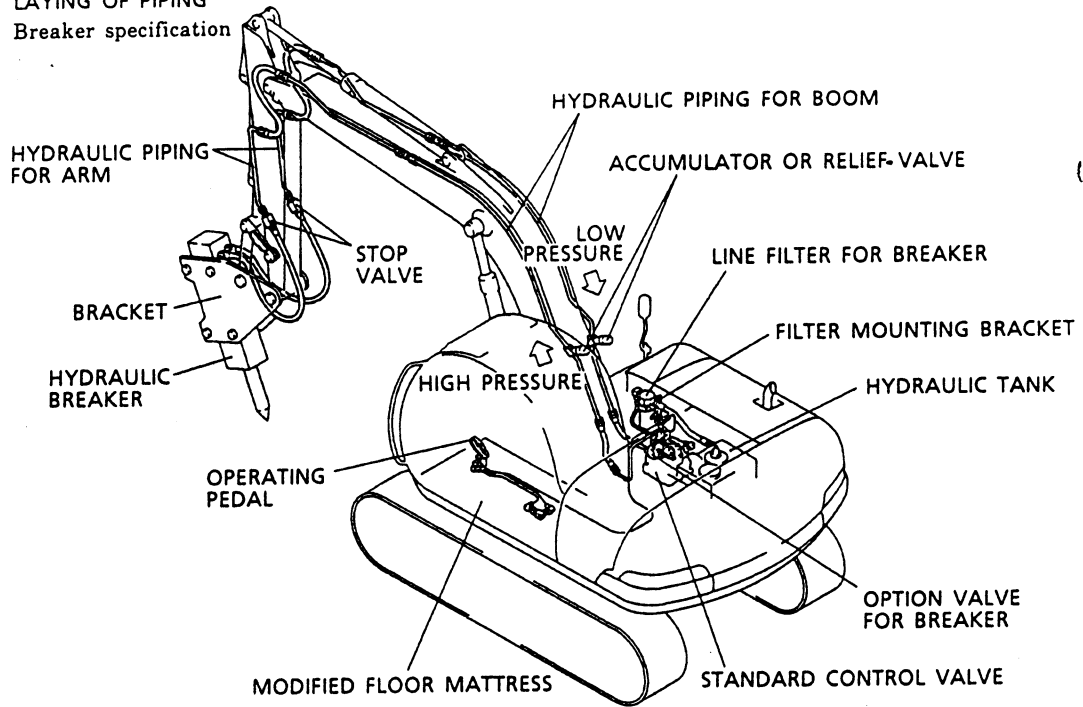


Fig. 1-1 Outside view of breaker-attached machine

(2) Nibbler & breaker specification

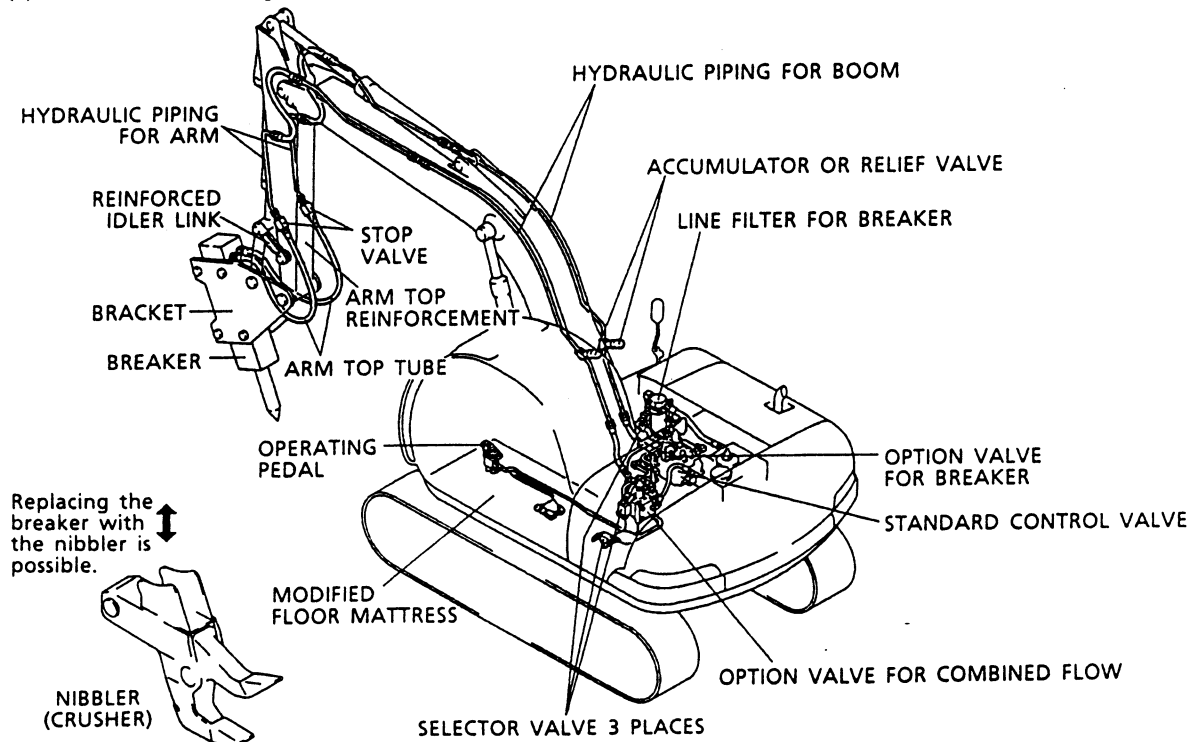


Fig. 1-2 Outside view of nibbler & breaker-attached machine

1.4 MODIFICATION ITEM

The main modification items when modifying a standard machine into a nibbler & breaker specification machine are as follows :

Table 1

No.	Item	Breaker specification	Page	Nibbler & breaker specification	Page
1	Modification of floor mattress	· Operation pedal cutaway	15	· Operation pedal cutaway	35
2	Modification of upper frame	· Weld a bracket for the line filter. · Weld a tapped block for the installation of piping.	15	· Weld a bracket for the line filter. · Weld a tapped block for the installation of piping.	15
3	Modification of hydraulic piping for upper	· Install an option valve.	12	· Install an option valve.	12
		· Install the line filter.	16	· Install the control valve.	35
		· Install hydraulic piping and hoses.	18	· Install the line filter. · Install hydraulic piping and hoses.	36 42
4	Modification of Remote control	· Install the pilot valve and the operating pedal.	19	· Install the pilot valve and the operating pedal.	43
		· Install the pressure sensor.	23	· Install the pressure sensor.	48
		· Install the hydraulic hoses.		· Install the hydraulic hoses.	
5	Electric piping	· Install the harness for the pressure sensor.	24	· Install the harness for the pressure sensor.	49
6	Modification of Attachments	· Modification of 4.26m (14ft) boom. (SK100v)	25	· Modification of 4.26m (14ft) boom. (SK100v)	25
		· Hydraulic piping for 4.26m (14ft) boom. (SK100v)	26	· Hydraulic piping for 4.26m (14ft) boom. (SK100v)	26
		· Modification of 2.22m (7ft-3in) arm. (SK100v)	27	· Reinforcement of 2.22m (7ft-3in) arm. (SK100v)	50
		· Modification of 1.9m (6ft-3in) arm. (SK100v)	27	· Reinforcement of 1.9m (6ft-3in) arm. (SK100v)	51
		· Hydraulic piping for 2.22m (7ft-3in) arm. (SK100v)	28	· Hydraulic piping for 2.22m (7ft-3in) arm. (SK100v)	28
		· Hydraulic piping for 1.9m (6ft-3in) arm. (SK100v)	29	· Hydraulic piping for 1.9m (6ft-3in) arm. (SK100v)	29
		· Install of connection to top of arm. (SK100v, SK120v)	29	· Install of connection to top of arm. (SK100v, SK120v)	53
		· Modification of 4.6m (15ft-1in) boom. (SK120v)	30	· Modification of 4.6m (15ft-1in) boom. (SK120v)	30
		· Hydraulic piping for 4.6m (15ft-1in) boom. (SK120v)	31	· Hydraulic piping for 4.6m (15ft-1in) boom. (SK120v)	31
		· Modification of 2.5m (8ft-2in) arm. (SK120v)	32	· Reinforcement of 2.5m (8ft-2in) arm. (SK120v)	52
		· Modification of 2.1m (6ft-11in) arm. (SK120v)	32	· Reinforcement of 2.1m (6ft-11in) arm. (SK120v)	52
		· Hydraulic piping for 2.5m (8ft-2in) arm. (SK120v)	33	· Hydraulic piping for 2.5m (8ft-2in) arm. (SK120v)	33
		· Hydraulic piping for 2.1m (6ft-11in) arm. (SK120v)	33	· Hydraulic piping for 2.1m (6ft-11in) arm. (SK120v)	33
				· Reinforcing the idler link. (SK100v, SK120v)	51



Suggest:

For more complete manuals. Please go to the home page.

<https://www.ebooklibonline.com>

If the above button click is invalid. Please download this document first, and then click the above link to download the complete manual.

Thank you so much for reading

1.5 FOLLOW THE PRECAUTIONS BELOW WHEN MOUNTING HOSES, PIPING, AND JOINTS

- (1) Be careful not to damage the hoses, tubes, and joints and prevent foreign materials from entering in them.

Perform dustproof treatment for each part upon necessity.

- (2) Clean the hoses, tubes, joints, and surroundings. Remove the cleaning solvent completely and dry them before installing.

- (3) Do not use flawed or deteriorated O rings. If a part is used which has the same dimensions but is made of different material and has a different hardness from the specified one, this may cause oil leakage or greatly shorten the life of the machine. Use only the specified parts.

- (3) Be careful not to damage the O ring groove of the joint ① and the seal face of the hose ④ when installing.

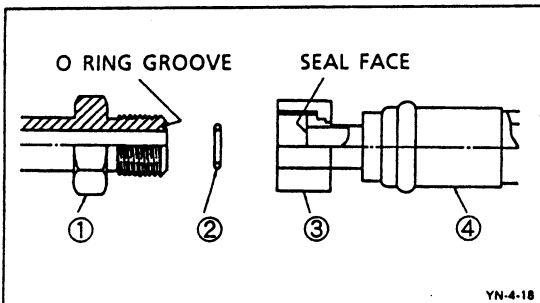
NOTE: If they become damaged, O ring damage or oil leakage will result.

- (4) If the union nut ③ is loose, and oil leakage, do not retighten it. Confirm that the O ring is set in the O ring groove properly; then tighten the union nut 3.

Supplementary explanation:

See the section TIGHTENING THE TORQUE OF JOINTS AND HYDRAULIC HOSES on the following page for the tightening torque.

1.6 HANDLING OF THE O RING SEAL AND JOINT



CONSTITUTION	
① JOINT	② O RING
③ UNION NUT	④ HOSE AND TUBE

The O ring ② is attached to the end face of the connector ① to seal pressure oil at the joint.

- (1) Use a new O ring ② when reassembling.
- (2) Confirm that the O ring ② is fitted in the O ring groove of the joints ① properly. Tighten the union nut ③.

NOTE: If the union nut ③ is tightened when the O ring ② comes off the groove, the O ring may become damaged and oil leakage will result.

1.7 TIGHTENING THE TORQUE OF JOINTS AND
HYDRAULIC HOSES

(1) ORS coupling (O ring sealing type)

Hose mouth ring and coupling	Size	Spanner mm	Tightening torque kgf·m (ft·lbs)
	1-14	30	14±1.4 (101±10)
		32	
	1-3 / 16-12	36	18±1.8 (130±13)
		41	
	1-7 / 16-12	41	21±2.1 (151±15)
46			

NOTE: The tightening torque mentioned in the table applies under the condition that the couplings are lubricated.

(2) Flareless-type coupling

Tube size Outer diameter × Thickness mm (in)	Spanner mm	Tightening torque kgf·m (ft·lbs)
10×1.5 (0.39×0.06)	19	5±1 (36± 7)
15×2.0 (0.59×0.08)	27	12±1.2 (87± 9)
18×2.5 (0.71×0.10)	32	15±1.5 (108±11)
22×3.0 (0.87×0.12)	36	22±2.2 (159±16)
28×4.0 (1.10×0.16)	41	28±2.8 (202±20)
35×5.0 (1.38×0.20)	55	45±4.5 (325±33)

(4) Hydraulic hose

Screw diameter (PF)	Spanner mm	Tightening torque kgf·m (ft·lbs)
1/8	17	3.0±0.5(22± 4)
1/4	19	3.0±0.5(22± 4)
3/8	22	5.0±0.5(36± 4)
1/2	27	8.0±0.5(58± 4)
3/4	36	12.0±1 (87± 7)
1	41	14.0±1.5(101±11)

(3) O ring type coupling

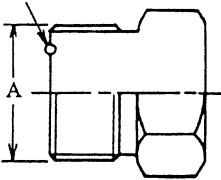
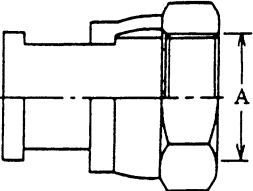
Screw diameter (PF)	Spanner mm	Tightening torque kgf·m (ft·lbs)
1/8	14	1.7±0.2(12± 1)
1/4	19	3.7±0.2(27± 1)
3/8	22	7.5±0.5(54± 4)
1/2	27	11.0±1 (79± 7)
3/4	36	16.5±1.5(119±11)
1	41	26.0±1 (188± 7)

(5) Hydraulic hose (flange type)

Cap screw (hexagon rocket head)	Spanner mm	Tightening torque kgf·m (ft·lbs)
M 6	5	3.0±0.5(22± 4)
M 8	6	5.0±0.5(36± 4)
M10	8	6.0±0.5(43± 4)
M12	10	8.5±0.5(61± 4)
M14	12	10.5±1.0(76± 7)
M16	14	15.0±1.5(108±11)

1.8 ORS BLIND PLUG (O RING SEAL TYPE)

The blind plugs when assembled are as follows :

Type	Screw thread dimension A	Service	Plug Part No.	O ring Part No.
Male O RING  YNS-5-12N	1"-14	Hose	YN01H01001P1	ZD12A01600
	Pipe Diameter Ø21.7 (0.85")	Hose diameter 5/8" equivalent	—	—
	1"-3/16	Hose	YN01H01002P1	ZD12A01800
	Pipe Diameter Ø27.2 (1.07")	Hose diameter 3/4" equivalent	—	—
Female  YNS-5-13N	1"-14	Tube	YN01H01004P1	—
	Pipe Diameter Ø21.7 (0.85")	—	—	—
	1"-3/16	Tube	YN01H01005P1	—
	Pipe Diameter Ø27.2 (1.07")	—	—	—
	1"-7/16	Tube	YN01H01006P1	—
	Pipe Diameter Ø34.0 (1.34")	—	—	—

<https://www.ebooklibonline.com>

Hello dear friend!

Thank you very much for reading.

Enter the link into your browser.

The full manual is available for immediate download.

<https://www.ebooklibonline.com>