

KOBELCO

SERVICE MANUAL

**HYDRAULIC EXCAVATOR
MD300LC**

Applicable: MD300LC YC-00101~

SHOP MANUAL

model

MD300

も く じ ・ TABLE OF CONTENTS

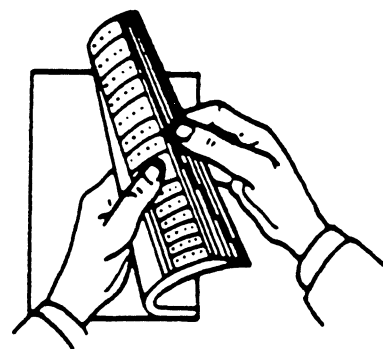
1. 仕 様.....SPECIFICATION	YC01
2. 運 転.....OPERATION	YC02
3. 機器配置と重量.....LOCATION OF COMPONENTS..... AND WEIGHT	YC03
4. 整備基準とテスト要領.....MAINTENANCE STANDARDS..... AND TEST PROCEDURES	YC04
5. トラブルシューティング.....TROUBLE SHOOTING	YC05
6. 保 守.....PREVENTIVE MAINTENANCE	YC06
7. 作業基準.....WORKING STANDARDS.....	YG07

○ ショップマニュアルの各章索引法

当ショップマニュアルの全般編は上記目次に表わされています様に7項目で構成されており、その各章は右図に示される様にヘリマークで容易に索引することが出来ます。けん索を迅速に行なうためにぜひ御利用ください。

○ How to Index each Shop Manual Section

The GENERAL of this shop manual consists of 7 headings as shown above. Each section can be easily referred to by indexes appended to the margin of the page as indicated on the right. Please use the indexes for speedy reference.



MDI/YUTANI

全般 GENERAL

MD300 II LIST OF SHOP MANUAL GENERAL SECTION

名称・Title	資料 No.・Book Code NO.		
	配布年月・Distribution Year—Month		
仕様 SPECIFICATION	S5YC0101E 1986-10		
運転 OPERATION	S5YC0201E 1986-10		
機器配置と重量 LOCATION OF COMPONENTS	S5YC0301E 1986-10		
整備基準とテスト要領 MAINTENCE STANDARDS	S5YC0402E 1986-10		
トラブルシューティング TROUBLE SHOOTING	S5YC0501E 1986-10		
保守 PREVENTIVE MAINTENANCE	S5YC0601E 1986-10		
作業基準 WORKING STANDARDS	S5YG0701E 1986-10		
適用号機 APPLICABLE MACHINES	YC-00101~		

<https://www.ebooklibonline.com>

Hello dear friend!

Thank you very much for reading.

Enter the link into your browser.

The full manual is available for immediate download.

<https://www.ebooklibonline.com>



SHOP MANUAL

MD300

— SPECIFICATION —

TABLE OF CONTENTS

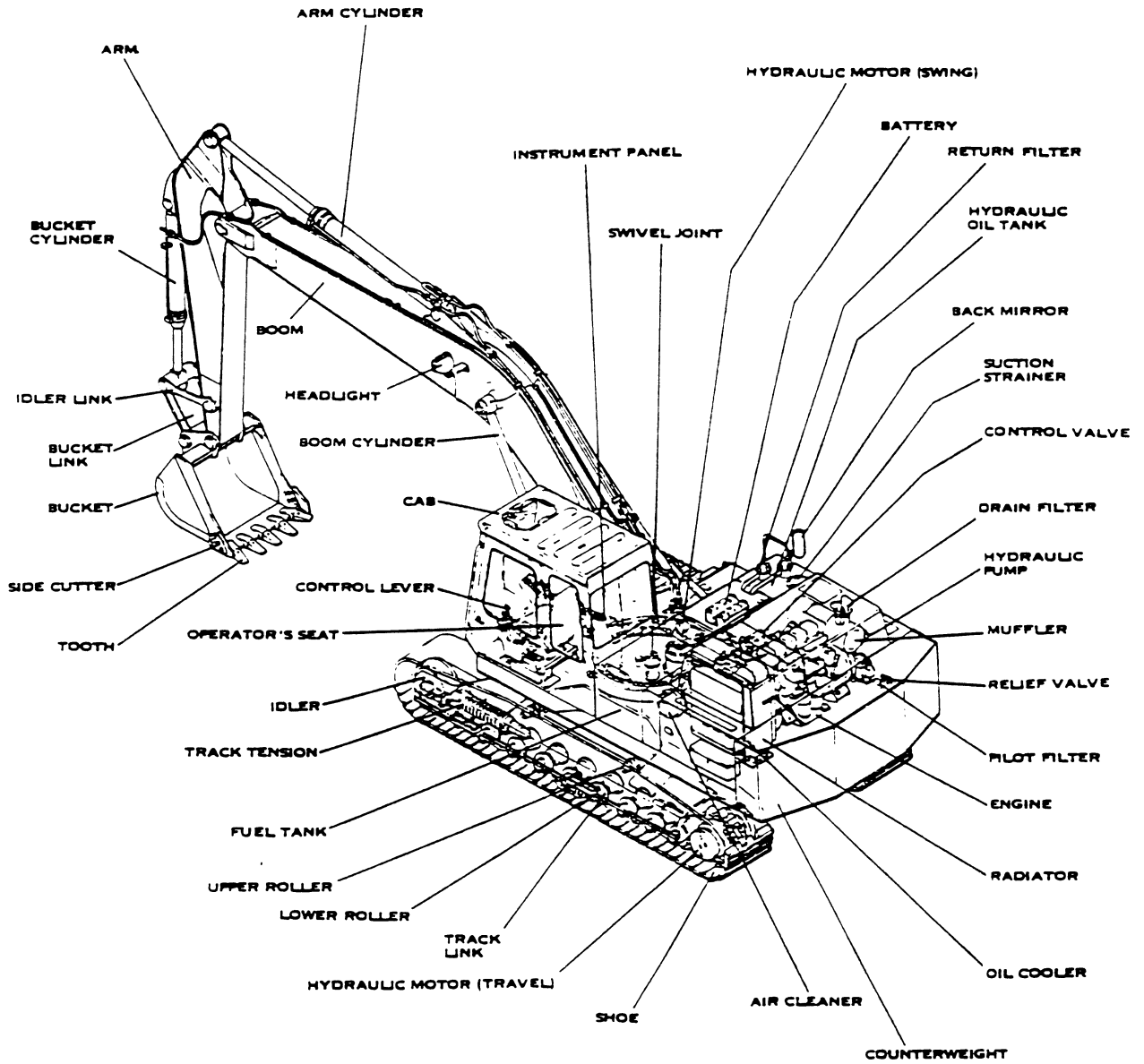
- 1. NAMES OF COMPONENTS 1
- 2. MACHINE DIMENSIONS (FOR TRANSPORTATION)..... 2
- 3. MAJOR SPECIFICATION 3
- 4. TYPE OF SHOES 4
- 5. TYPE AND COMBINATION OF ATTACHMENTS 5
- 6. WORKING RANGE OF ATTACHMENTS..... 6
- 7. LIFTING CAPACITY 8
- 8. SPECIFICATIONS OF ENGINE..... 10



Applicable Machines
YC-00101~

Revision Number	Date of Issue	Remarks
First edition	October, 1986	R

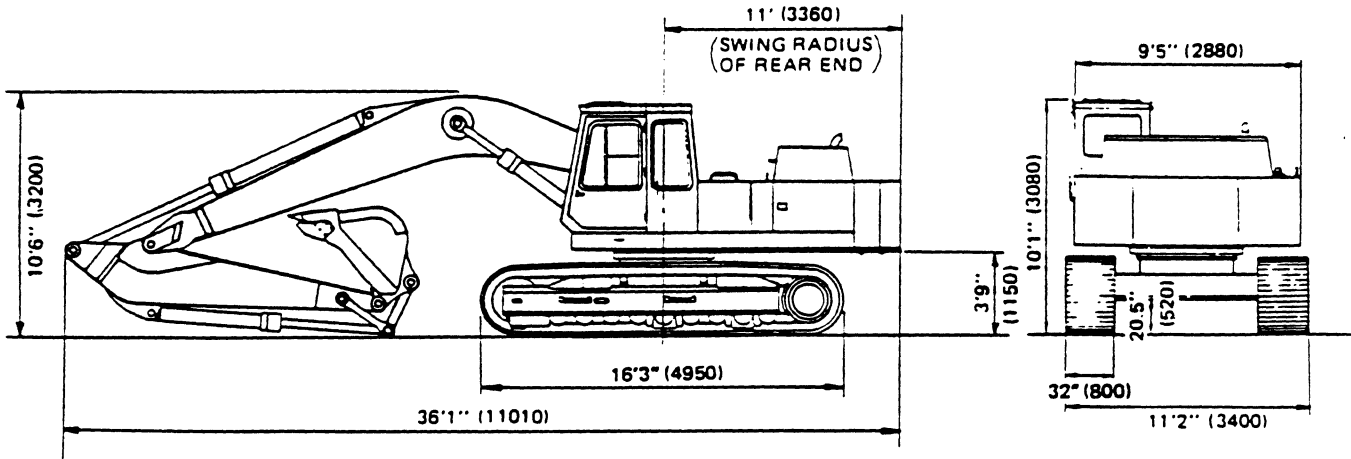
1. NAMES OF COMPONENTS



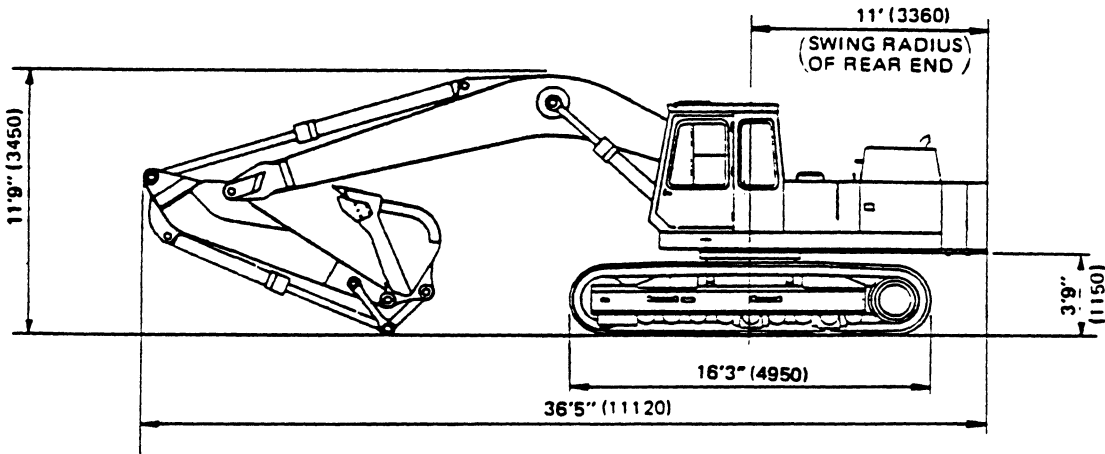
2. MACHINE DIMENSIONS (FOR TRANSPORTATION)

BACKHOE WITH 10ft-2in (3.1m) ARM (STANDARD)

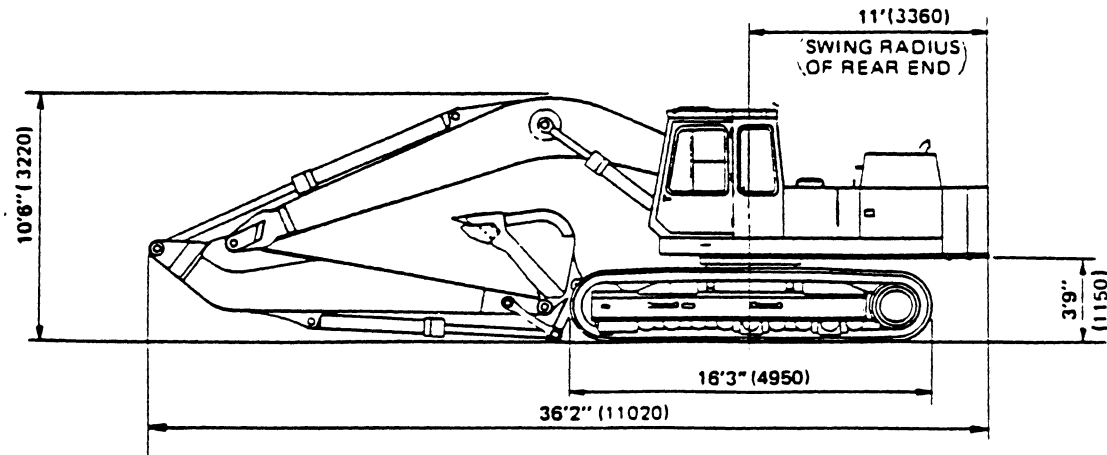
Unit: ft.in (mm)



BACKHOE WITH 8ft-2in (2.5m) ARM



BACKHOE WITH 13ft-5in (4.1m) ARM



3. MAJOR SPECIFICATION

SPEED AND GRADEABILITY

Swing Speed	9.2rpm
Travelling speed	1.86MPH (3.0km/hr)
Gradeability	35° (70%)

WEIGHT

Working Weight (STANDARD)	69.000lbs (31,300kg)
---------------------------	----------------------

ENGINE

Model	Mitsubishi 6D22C	
Type	Water-cooled 4 cycle, Direct Injection Type Diesel	
Number of Cylinder X Bore X Stroke	6 X 5.1" X 5.5" (6 X 130mm X 140mm)	
Total Displacement	680cu.in (11.149cc)	
Rated Output Power/Revolution	(JIS D1005) Net	190PS/1,900rpm
	(SAE J1349) Net	137KW/1,900rpm
	(DIN 6270) Net	184PS/1,900rpm
Maximum Torque/Revolution	(JIS D1005) Net	76kg-m/1,200rpm
	(SAE J1349) Net	733N-m/1,200rpm
	(DIN 6270) Net	74kg-m/1,200rpm

HYDRAULIC COMPONENTS

Hydraulic Pump	3 – Variable Displacement Axial Piston Pump
Hydraulic Motor (Swing)	Axial Piston Motor
Hydraulic Motor (Travel)	2 – Axial Piston Motor
Control Valve	6 Spools · 1 Spool
Cylinder (Boom, Arm, Bucket)	Double Acting Type Cylinders
Return Filter	Paper Type with Safety Valve
Oil Cooler	Air-cooled Type



Suggest:

For more complete manuals. Please go to the home page.

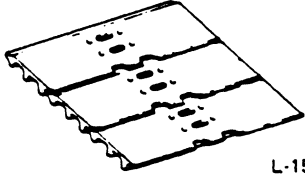
<https://www.ebooklibonline.com>

If the above button click is invalid. Please download this document first, and then click the above link to download the complete manual.

Thank you so much for reading

4. TYPE OF SHOES

TYPE OF SHOES

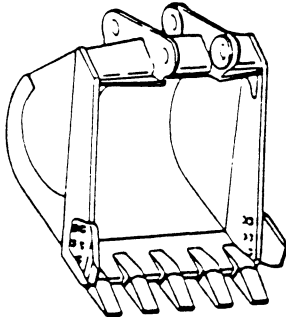
Shape	Width of Track Shoe inch (mm)	Overall Width of Crawler inch (mm)	Ground Pressure psi (kg/cm ²)
Grouser (Equal Height)  51 Links L-1516	32" (800)	11'2" (3,400)	6.8 (0.48)

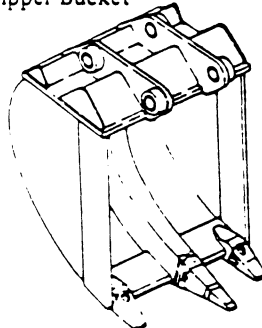
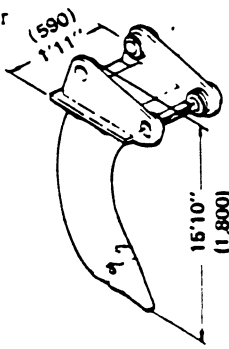
CAUTION

32" (800mm) shoes are for use in general construction work at earth, sand sites. Do not use in gravel pits or rocky areas.

5. TYPE AND COMBINATION OF ATTACHMENTS

TYPE OF BUCKETS

Hoe Bucket (for Backhoe & Shovel)	Heaped Capacity cu-yd (m ³)	Outer Width ft-in (mm)		Number of Tooth	Side Cutters	Possibility of Face Shovel	Weight lbs (kg)
		With Side Cutter	Without Side Cutter				
	2.09 (1.6)	-	5'1" (1,540)	5	No.	Yes	2,513 (1,140)
	1.83 (1.4)	5'5" (1,665)	5'1" (1,540)	5	Yes	Yes	2,513 (1,140)
	*1.57 (1.2)	4'8" (1,425)	4'3" (1,300)	5	Yes	Yes	2,425 (1,100)
	1.57 (1.2)	4'9" (1,465)	4'4" (1,340)	5	Yes	Yes	2,336 (1,060)
	1.31 (1.0)	4'0" (1,225)	3'7" (1,100)	4	Yes	Yes	2,116 (960)

	Capacity : 1.05cuyd (0.8m ³) Outer Width : 1.100mm Side Cutter : None Number of Tooth : 1 + 2 Weight : 3196lbs (1,450kg)		Weight: 1720lbs (780kg)
	(for Backhoe)		(for Backhoe)

*indicates for heavy duty digging.

COMBINATION OF ATTACHMENTS

Type	Bucket			Applicable Arm		
	JIS Heaped Capacity cu.yd (m ³)	SAE Heaped Capacity cu.yd (m ³)	JIS- SAE Struck Capacity cu.yd (m ³)	8'2"(2.5m) Arm	10'2" Arm (3.1m)	13'5"(4.1m) Arm
Hoe Bucket	2.09 (1.6)	2.39 (1.83)	1.79 (1.35)	△	×	×
	1.83 (1.4)	2.09 (1.6)	1.50 (1.15)	⊙	△	×
	*1.57 (1.2)	1.83 (1.4)	1.31 (1.0)	○	○	×
	1.57 (1.2)	1.83 (1.4)	1.31 (1.0)	○	⊙	△
	1.31 (1.0)	1.46 (1.12)	1.10 (0.84)	○	○	⊙
Ripper Bucket	1.05 (0.8)	1.18 (0.9)	0.92 (0.7)	○	○	×
Ripper	-	-	-	○	○	×

⊙ Standard Combination

○ General Use: Digging and loading of gravel, sand and clayey soil.

△ Light Duty : Work mainly loading loose gravel or clayey soil.

×

<https://www.ebooklibonline.com>

Hello dear friend!

Thank you very much for reading.

Enter the link into your browser.

The full manual is available for immediate download.

<https://www.ebooklibonline.com>