

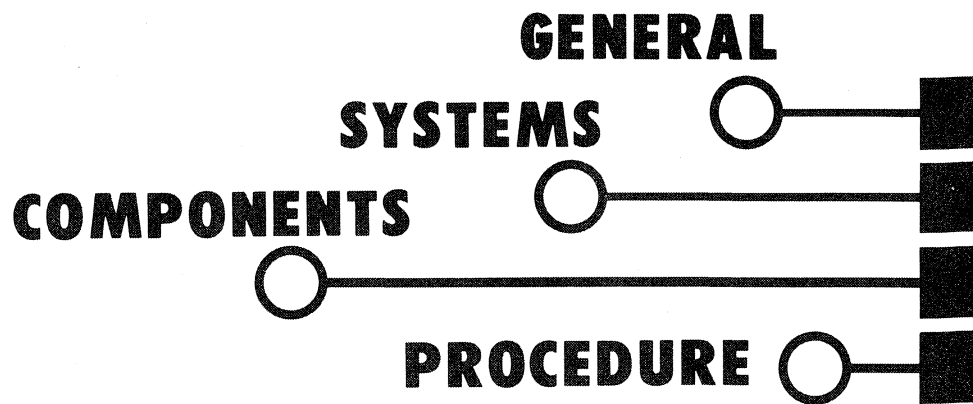
HYDRAULIC EXCAVATOR

KW904

model

KW904D

SHOP MANUAL



Book code No. S5YD0001E ①

Reprinted

SHOP MANUAL

model

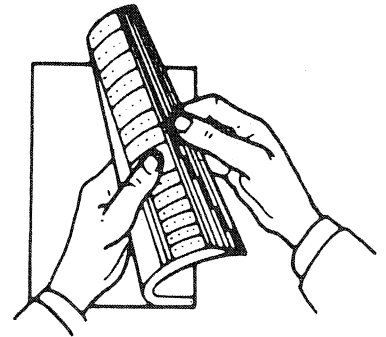
KW904 KW904D

TABLE OF CONTENTS

| | |
|---|------|
| 1. SPECIFICATION | YD01 |
| 2. OPERATION AND CONTROLS | YD02 |
| 3. LOCATION AND WEIGHT OF COMPONENTS | YD03 |
| 4. MAINTENANCE STANDARDS AND TEST PROCEDURES | YD04 |
| 5. TROUBLESHOOTING | YD05 |
| 6. PREVENTIVE MAINTENANCE | YD06 |
| 7. WORKING STANDARDS | |
| 8. FLAT RATE | |

○ How to Index each Shop Manual Section

The GENERAL of this shop manual consists of 8 headings as shown above. Each section can be easily referred to by indexes appended to the margin of the page as indicated on the right. Please use the indexes for speedy reference.



KOBELCO

GENERAL

KW904 List of Shop Manual **GENERAL** Section
KW904D

| Name | Book Code No. | | |
|---|--|---|-----------------------|
| | Distribution Year-Month | | |
| SPECIFICATION | S5YD0101E 1985-04 | ← | |
| OPERATION | S5YD0201E 1985-04 | ← | |
| LOCATION AND WEIGHT OF COMPONENTS | S5YD0301E 1985-04 | ← | |
| MAINTENANCE STANDARDS AND TEST PROCEDURES | S5YD0401E 1985-04 | | S5YD0401E① 1985-09 |
| TROUBLESHOOTING | S5YD0501E 1985-04 | ← | |
| PREVENTIVE MAINTENANCE | S5YD0601E 1984-04 | ← | |
| WORKING STANDARDS | | | |
| FLAT RATE | | | |
| | | | |
| | | | |
| | | | |
| | | | |
| | | | |
| | | | |
| | | | |
| | | | |
| | | | |
| | | | |
| | | | |
| Applicable Machines | YD-0101 ~ 0166 YD-0240 ~ YE-0228 ~ | ← | |

<https://www.ebooklibonline.com>

Hello dear friend!

Thank you very much for reading.

Enter the link into your browser.

The full manual is available for immediate download.

<https://www.ebooklibonline.com>



Book code No.

S5 YD0101E

SHOP MANUAL

KW904 KW904D

— SPECIFICATION —

TABLE OF CONTENTS

| | | |
|----|---|----|
| 1. | NAME OF COMPONENTS | 1 |
| 2. | GENERAL DIMENSIONS | 2 |
| 3. | SPECIFICATIONS AND PERFORMANCE | 5 |
| 4. | TYPE AND COMBINATION OF ATTACHMENTS | 7 |
| 5. | WORKING RANGE OF ATTACHMENTS | 9 |
| 6. | LIFTING CAPACITY | 15 |
| 7. | ENGINE SPECIFICATIONS | 19 |

Applicable Machines

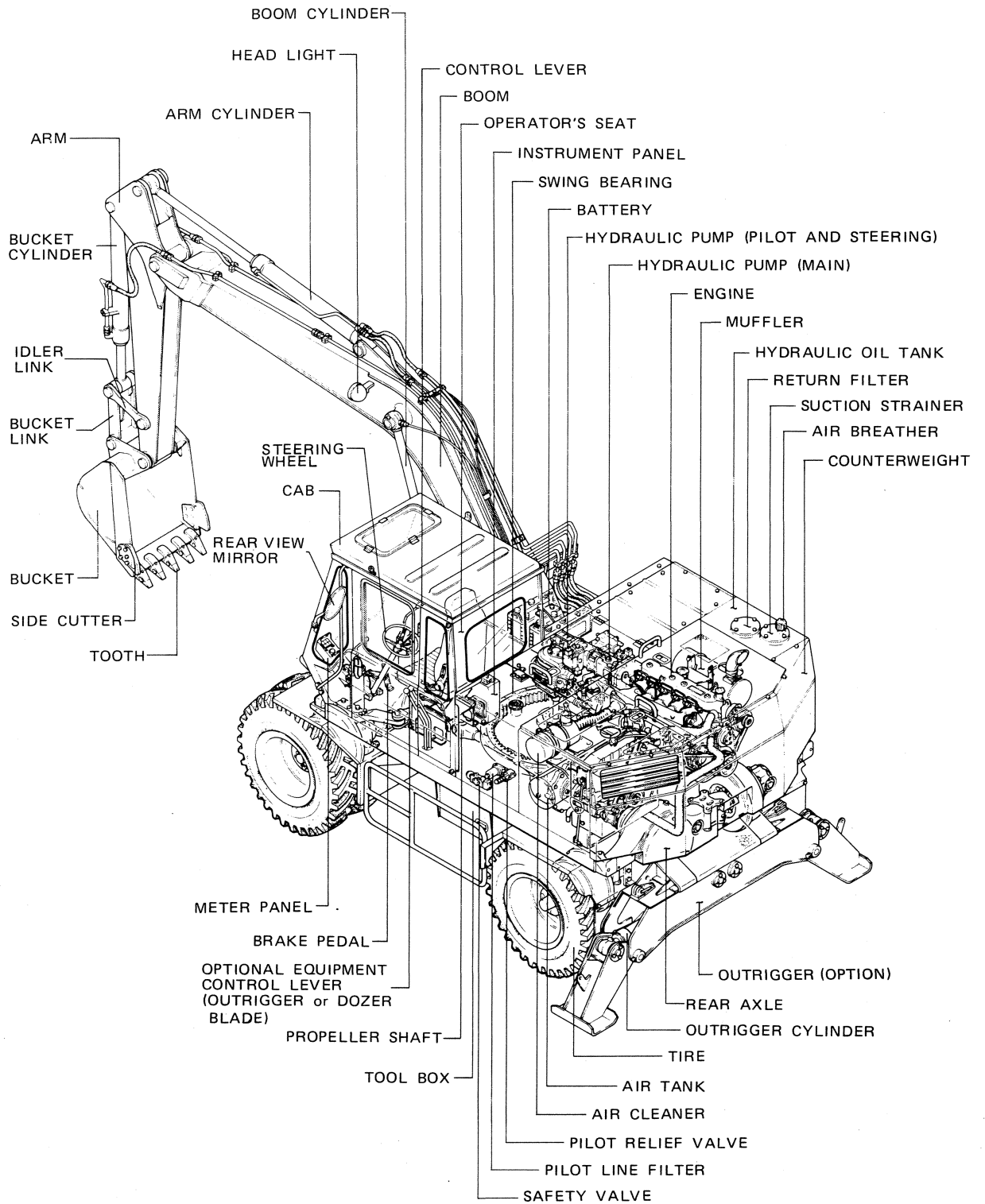
YD-0101 ~ 0166

YD-0240 ~

YE-0228 ~

| Revision | Date of Issue | Remarks |
|---------------|---------------|---------|
| First edition | April, 1985 | 100B |
| | | |
| | | |
| | | |
| | | |
| | | |

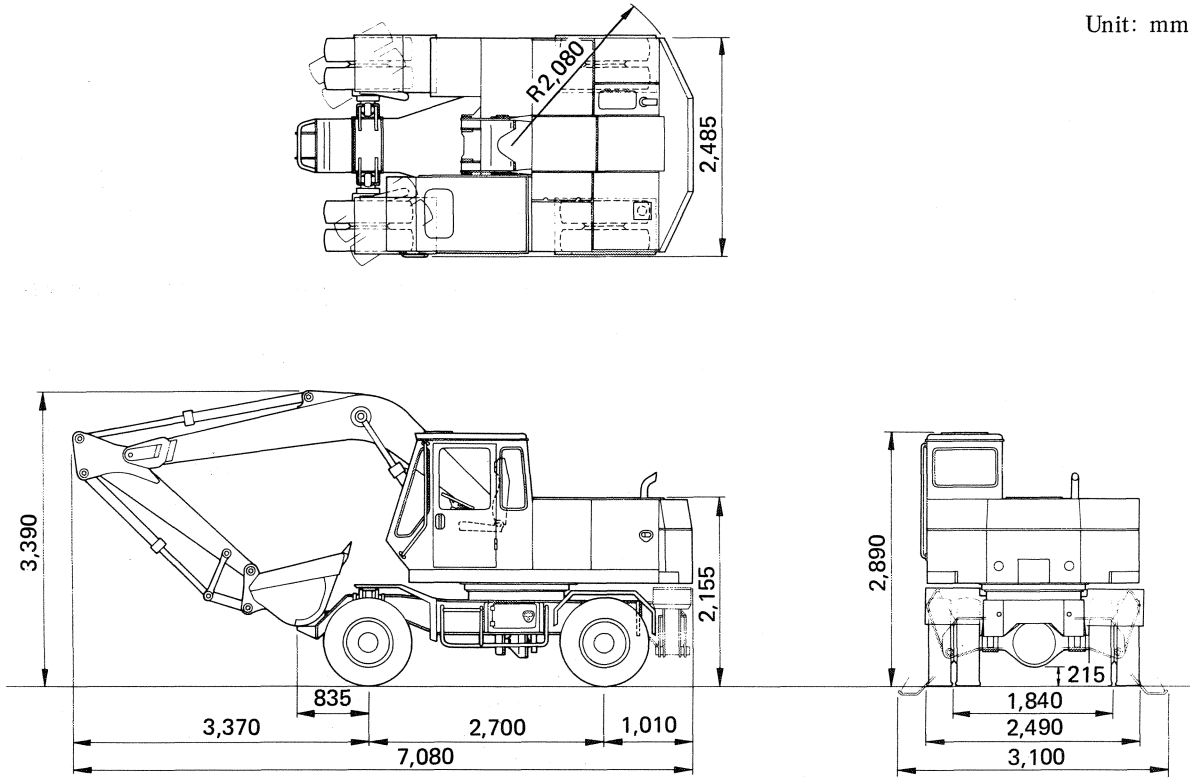
1. NAME OF COMPONENTS



2. GENERAL DIMENSIONS

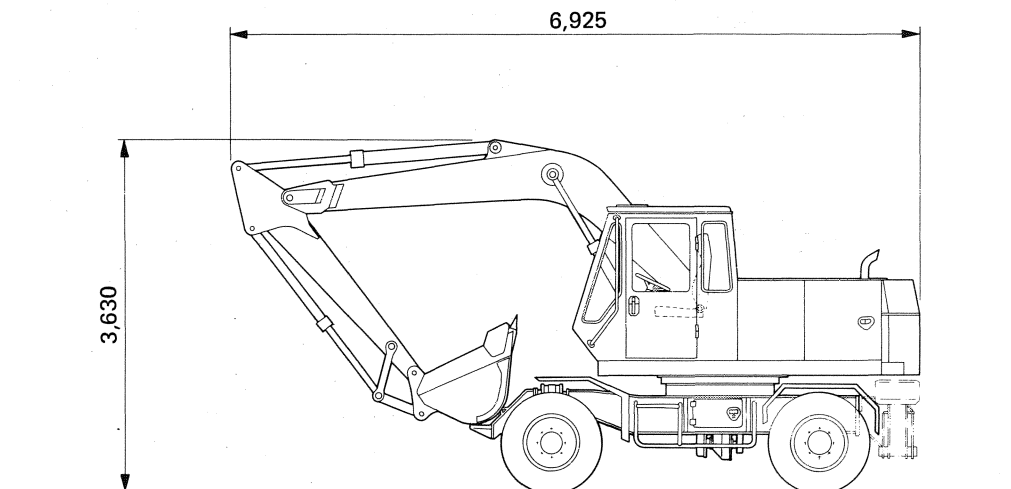
KW904, KW904D WITH 1.9 m ARM (STD.)

Unit: mm



YD-0027

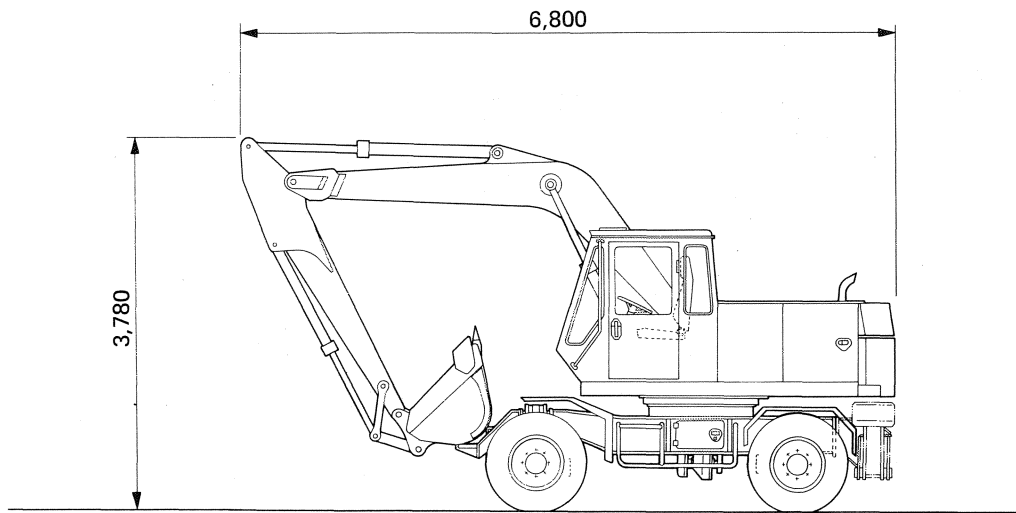
KW904, KW904D WITH 2.15 m ARM (SEMI-LONG ARM)



YD-0028

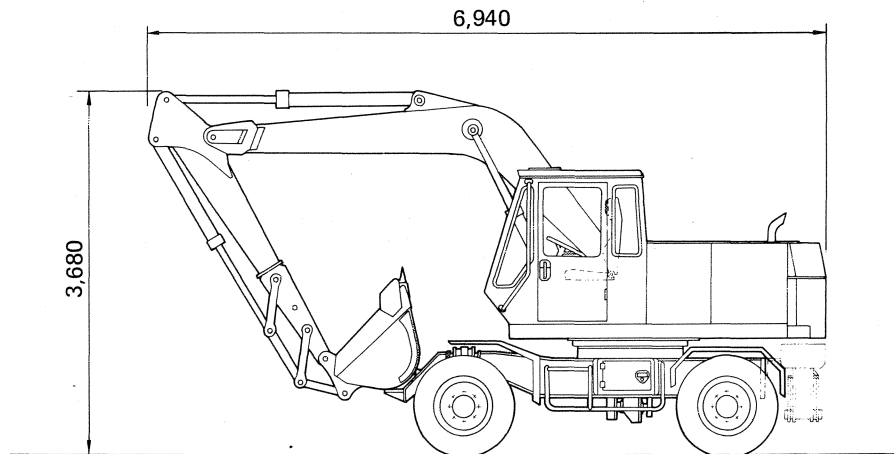
KW904, KW904D
WITH 2.65 m ARM (LONG ARM)

Unit: mm



YD-0145

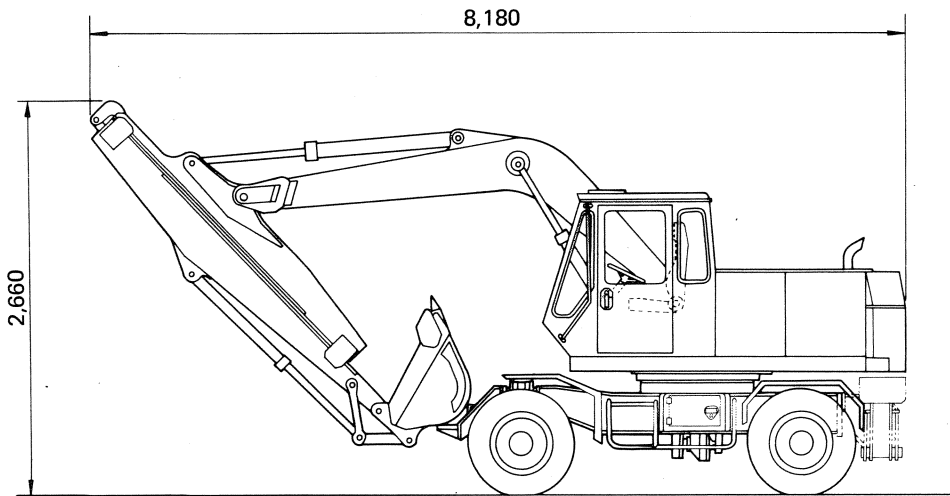
KW904, KW904D
WITH 1.9 m ARM + 0.6 m EXT. ARM



YD-0146

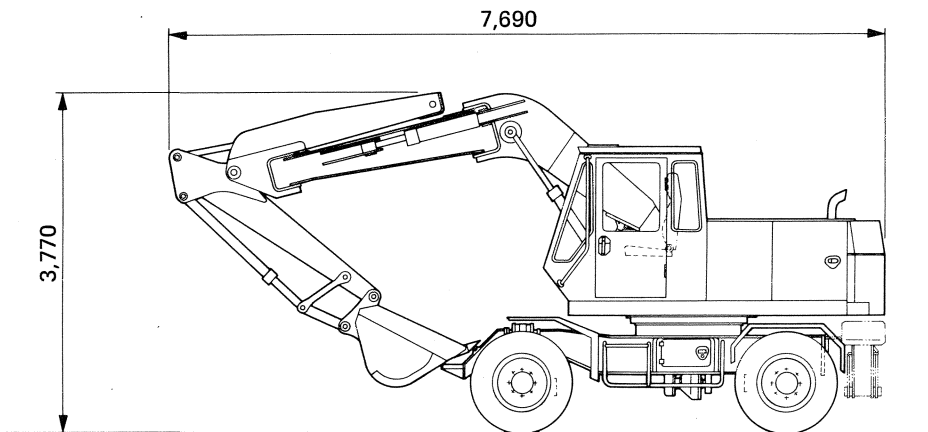
**KW904, KW904D
WITH TELESCOPIC ARM**

Unit: mm



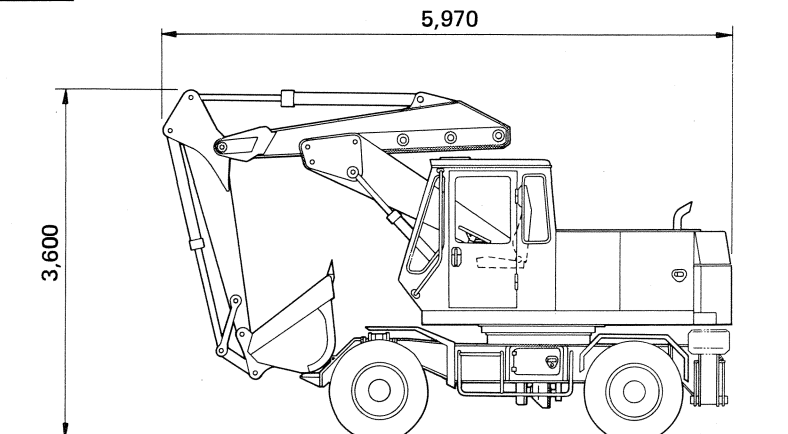
YD-0029

**KW904, KW904D
WITH GUTTER ATTACHMENT (GUTTER DIGGING BOOM)**



YD-0030

**KW904, KW904D
WITH 2-PIECES BOOM**



YD-0148

3. SPECIFICATIONS AND PERFORMANCE

SPEED AND GRADEABILITY

| Model of Machine | | KW904D | KW904 |
|------------------|-------------|------------|-------|
| Swing Speed | | 12 r.p.m. | ← |
| Travelling Speed | Forward 1st | 4.2 km/hr | ← |
| | Forward 2nd | 7.4 km/hr | ← |
| | Forward 3rd | 13.6 km/hr | ← |
| | Forward 4th | 26.8 km/hr | ← |
| | Forward 5th | 34 km/hr | ← |
| | Reverse 1st | 4.6 km/hr | ← |
| Gradeability | | 29° (55%) | ← |

ENGINE

| Model of Machine | | KW904D | KW904 |
|----------------------------------|--|--|-------|
| Model | | Isuzu 6BB1 | ← |
| Type | | 4 cycle, water-cooled, direct injection type | ← |
| No. of cylinders – Bore x Stroke | | 6–102 mm x 110 mm | ← |
| Total Displacement | | 5,393 cc | ← |
| Rated Output/Revolution | | 85 PS/2,050 r.p.m. | ← |
| Max. Torque/Revolution | | 32.8 kg-m/1,400 r.p.m. | ← |

HYDRAULIC COMPONENTS

| Model of Machine | | KW904D | KW904 |
|-----------------------------|--------------|--|-------|
| Hydraulic pump | Main pump | Double variable displacement axial piston pump | ← |
| | For steering | Gear pump | ← |
| | For pilot | Gear pump | ← |
| Hydraulic Motor (For Swing) | | Axial piston pump | ← |
| Control valve | | 2 section + 3 section multiple control valve | ← |
| Return Filter | | Filter paper with safety valve | ← |
| Oil Cooler | | Air-cooled type | ← |
| Steering Control | | Full-hydraulic type | ← |

NOTE

The number of control valve sections varies with what type of attachment is used and whether or not auxiliary equipment are equipped.

WEIGHT

Unit: kg

| Model of Machine | | KW904D | | | KW904 | | |
|--|---------------------------|--------|-----------|-------------|--------|-----------|-------------|
| Fully Equipped Weight (Shovel loader) | Auxiliary Spec. Equipment | None | Outrigger | Dozer blade | None | Outrigger | Dozer blade |
| | Standard backhoe | 11,135 | 12,055 | 11,815 | 10,895 | 11,820 | 11,575 |
| | Long arm | 11,155 | 12,075 | 11,835 | 10,920 | 11,840 | 11,595 |
| | Gutter attach. | 12,050 | 12,970 | 12,725 | 11,810 | 12,735 | 12,480 |
| | Telescopic arm | 11,720 | 12,640 | 12,395 | 11,480 | 12,405 | 12,150 |

TIRES

| Model of Machine | KW904D | KW904 |
|---------------------------|---|---|
| Tire Size (Front & Rear) | 9.00-20-12PR (OR) Option 9.00-20-14PR (OR) | 9.00-20-12PR (OR) Option 9.00-20-14PR (OR) |
| Wheel Base | 2,700 mm | 2,700 mm |
| Tread (Both Front & Rear) | 1,840 mm | 1,840 mm |
| Drive Shaft | Front shaft and rear shaft (4-wheel drive) | Rear shaft (2-wheel drive) |



Suggest:

For more complete manuals. Please go to the home page.

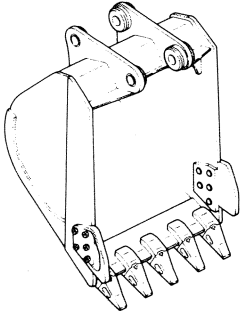
<https://www.ebooklibonline.com>

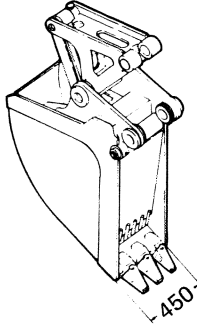
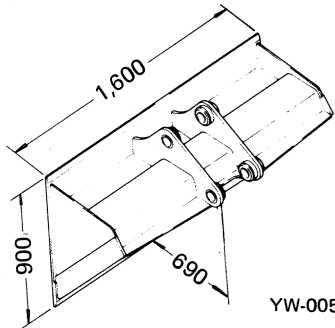
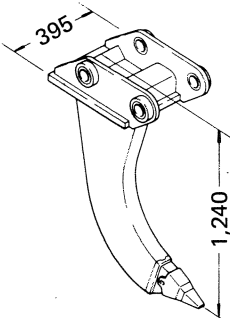
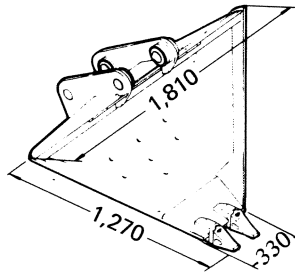
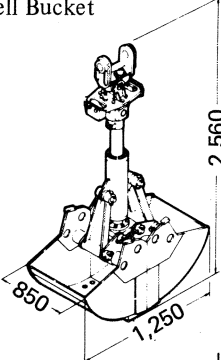
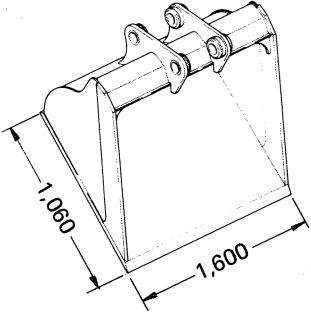
If the above button click is invalid. Please download this document first, and then click the above link to download the complete manual.

Thank you so much for reading

4. TYPE AND COMBINATION OF ATTACHMENTS

TYPE OF BUCKETS

| Hoe Bucket | Heaped Capacity (m ³) | Outer Width (mm) | | Number of Tooth | Side Cutters | Weight (kg) |
|--|-----------------------------------|-------------------|----------------------|-----------------|--------------|-------------|
| | | With Side Cutters | Without Side Cutters | | | |
|  YW-0050 | 0.45 | 1,010 | 920 | 5 | Yes | 430 |
| | 0.4 | 920 | 840 | 5 | Yes | 410 |
| | 0.35 | 840 | 756 | 4 | Yes | 390 |
| | 0.3 | 750 | 666 | 4 | Yes | 370 |
| | 0.25 | 656 | 580 | 3 | No | 300 |
| | 0.15 | — | 450 | 3 | No | 220 |

| | |
|---|---|
| <p>Bucket with Ejector Capacity: 0.2 m³ Weight: 410 kg</p> <div style="text-align: center;">  L-1671 </div> | <p>Side Slope Finishing Bucket Weight: 400 kg</p> <div style="text-align: center;">  YW-0051 </div> |
| <p>Ripper Weight: 250 kg</p> <div style="text-align: center;">  YW-0052 </div> | <p>V-shape Bucket Capacity: 0.38 m³ Weight: 290 kg</p> <div style="text-align: center;">  L-1674 </div> |
| <p>Clamshell Bucket</p> <div style="text-align: center;">  L-1675 </div> <p>Capacity: 0.40 m³ Opening Width: 1,570 mm Weight: 780 kg</p> | <p>Scraper Bucket</p> <div style="text-align: center;">  YW-0148 </div> <p>Capacity: 0.45 m³ Weight: 375 kg</p> |

COMBINATION OF ATTACHMENTS

| Bucket | | Applicable Arm | | | | | |
|-----------------------------|-----------------------------------|----------------|------------|------------|-------------------------------|-------------------|----------------|
| Type | Heaped Capacity (m ³) | 1.9 m Arm | 2.15 m Arm | 2.65 m Arm | 1.9m Arm + 0.6m Extension Arm | Gutter Attachment | Telescopic Arm |
| Hoe Bucket | 0.45 | △ | × | × | × | × | × |
| | 0.4 | ⊙ | △ | × | × | × | × |
| | 0.35 | ○ | ⊙ | △ | △ | △ | × |
| | 0.3 | ○ | ○ | ⊙ | ⊙ | ⊙ | △ |
| | 0.25 | ○ | ○ | ○ | ○ | ○ | ⊙ |
| | 0.15 | ○ | ○ | ○ | ○ | ○ | ○ |
| Bucket with Ejector | 0.2 | ○ | ○ | ○ | ○ | ○ | ○ |
| Side Slope Finishing Bucket | Width × Depth: 1.6 m × 0.62 m | △ | △ | △ | △ | × | × |
| Clamshell Bucket | 0.4 | ○ | ○ | × | × | × | × |
| Ripper | — | ○ | △ | × | × | × | × |
| V-shape Bucket | 0.38 | △ | △ | △ | △ | × | × |
| Scraper Bucket | 0.45 | △ | △ | △ | △ | × | × |

- ⊙ Standard Combination
 - Heavy Duty Digging and loading of sand, gravel and clayey soil.
 - △ Light Duty Mainly loading of loose gravel or clayey soil.
 - ×
- Not Usable Not warranted.

<https://www.ebooklibonline.com>

Hello dear friend!

Thank you very much for reading.

Enter the link into your browser.

The full manual is available for immediate download.

<https://www.ebooklibonline.com>