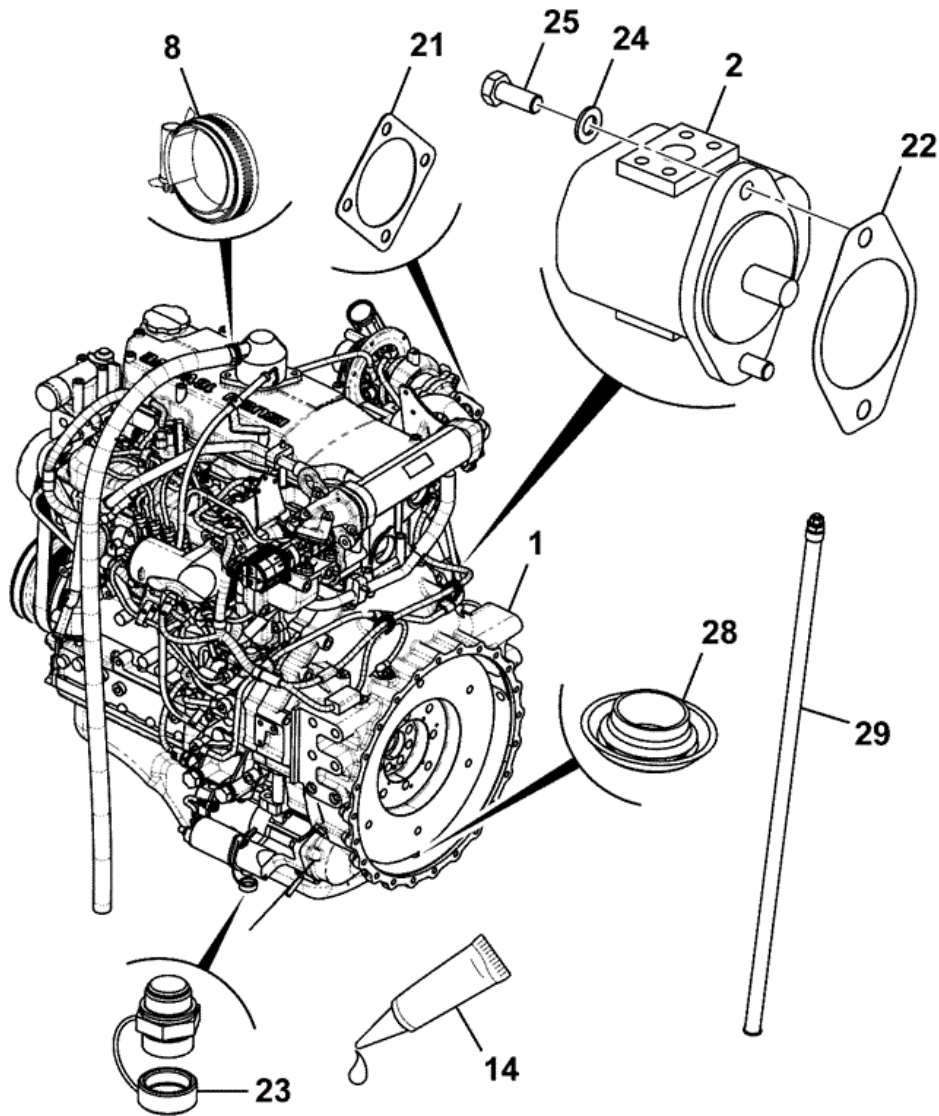




9802/5600 W1-1-3 ENGINE, COMPLETE 4HK1XYSJ-01 T3



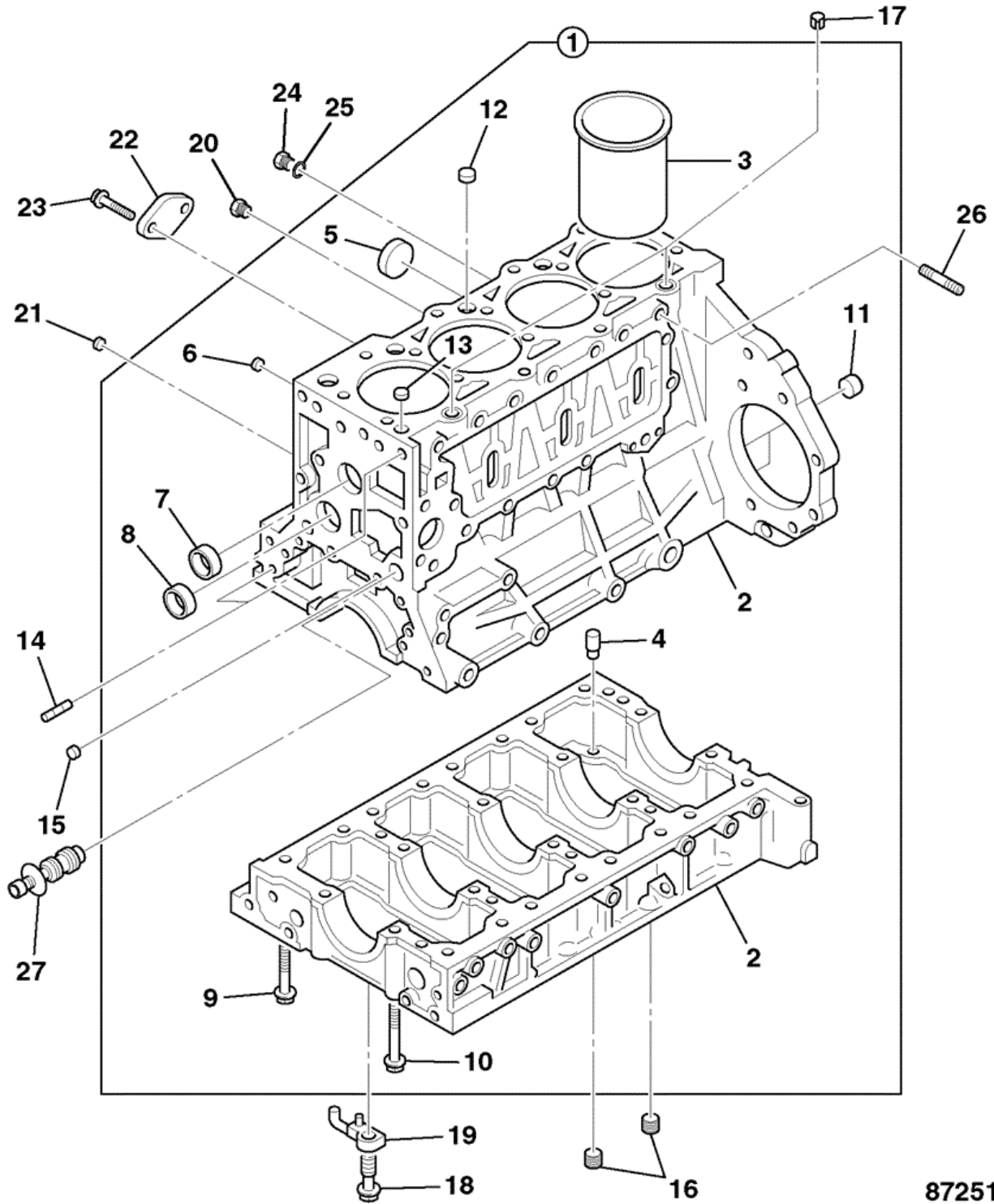
215-12026-12

Item	Part #	Change No	Description	Usage Code	QTY
1	333/J5194		Engine assembly Isuzu 4HK1X		1
2	20/925826		Pump Fan Drive		1
8	2201/0007		Clip Wormdrive		1

14	4101/0500		Fluid Locking Loctite 262		0
21	01/180060		Gasket turbo to exhaust		1
22	01/180061		Gasket PTO to flange		1
23	32/925429		Valve oil drain M24X2 - M26X1.5 HOSE		1
24	JHP0047		Washer plain		2
25	1316/3609D		Bolt M14 x 35mm		2
28	333/K8331		Plug Blanking 15mm		1
29	340/00184		Hose oil drain & keeper M26 X 1.5 & M12		1



9802/5600 W1-3-1 BLOCK ASSEMBLY



872510

Item	Part #	Change No	Description	Usage Code	QTY
1	02/802676		Block cylinder		1
2	****		None serviced part		1
			Liner cylinder grade 1X		

<https://www.ebooklibonline.com>

Hello dear friend!

Thank you very much for reading.

Enter the link into your browser.

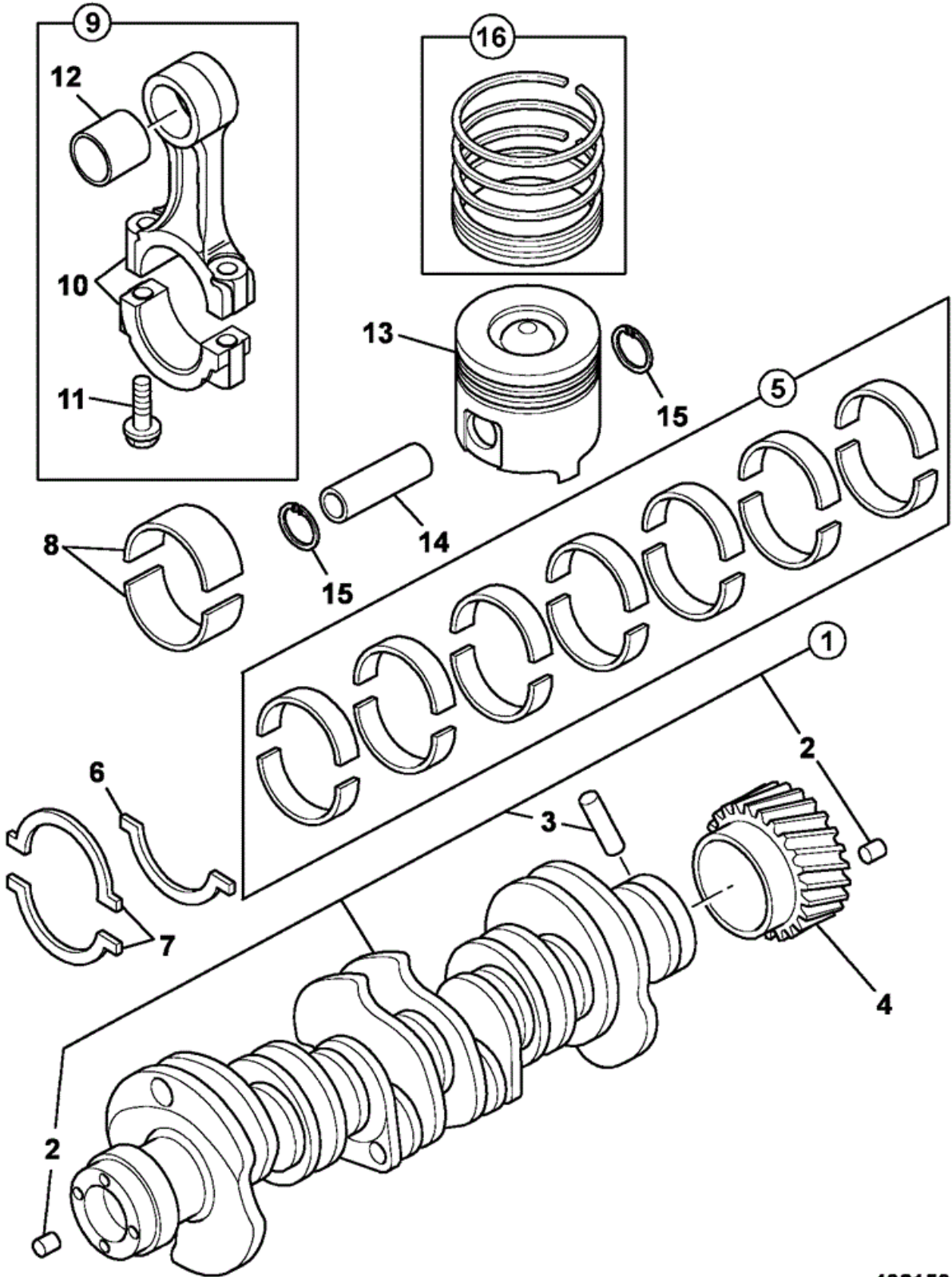
The full manual is available for immediate download.

<https://www.ebooklibonline.com>

3	:02/801806		<i>Existing liners grade stamped on outside of liner 1X</i>	4
3	:02/801001		Liner cylinder grade 3X <i>Existing liners grade stamped on outside of liner 3X</i>	4
4	:02/801812		Pin	2
5	:02/801711		Plug D=45	3
6	:1096000160		Plug D=25	1
7	:1096000160		Plug D=25	1
8	:02/801808		Plug	4
9	:02/801811		Bolt M10x82	11
10	:02/802069		Bolt	17
11	:02/801809		Bush oil,drive shaft	2
12	:02/800879		Plug O/D = 22mm	3
13	:5111290060		Plug sealing, D=16	1
14	02/800993		Pin	4
15	9111291280		Plug sealing, D=20	3
16	5096050050		Plug PT 3/8"	2
17	02/800997		Pin set cylinder head	2
18	1131610120		Valve check, assembly	4
19	02/801003		Jet piston cooling	4
20	02/802071		Plug	2
21	5096000130		Plug D=12	1
22	02/801849		Plate cover	1
23	0280808140		Bolt flange head M8 x 14	2
24	02/802066		Plug drain	1
25	02/802072		Gasket	1
26	02/802190		Stud	3
27	02/802189		Valve	1



9802/5600 W1-4-1 CRANKSHAFT, BEARINGS PISTONS & CON-RODS



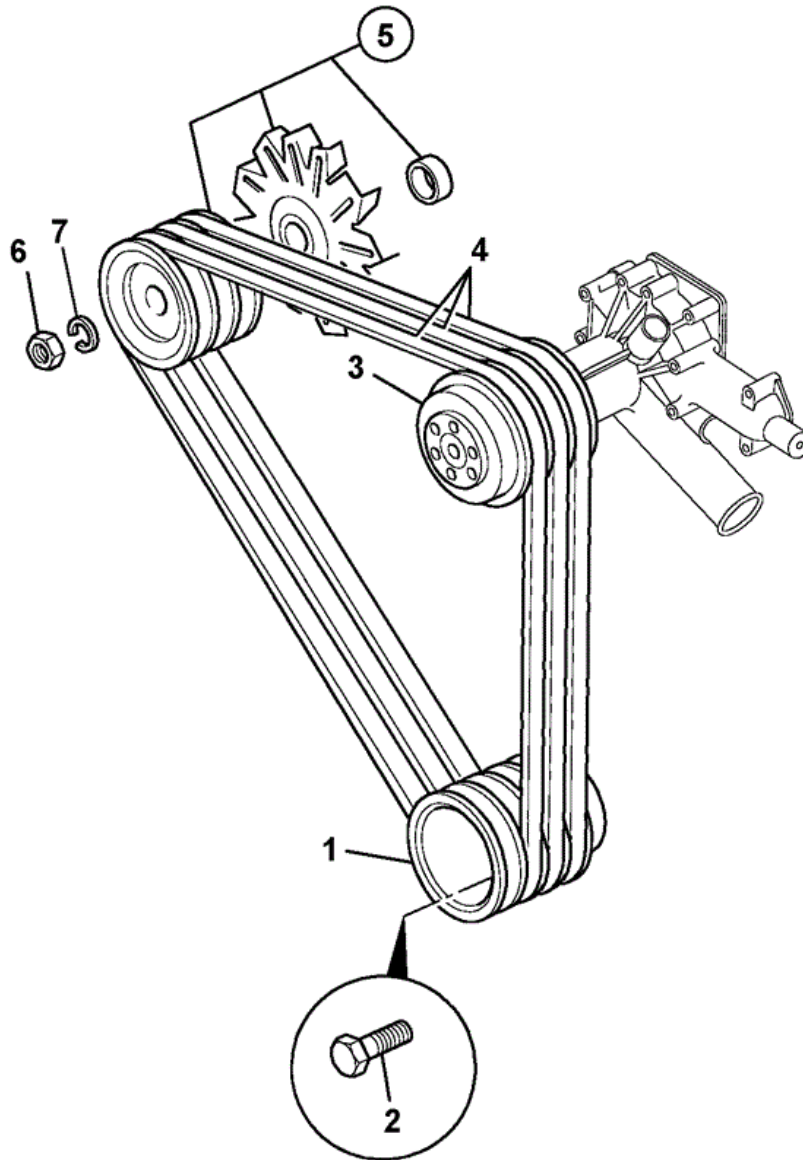
402150

Item	Part #	Change No	Description	Usage Code	QTY
1	02/802305		Crankshaft assembly		1
2	:02/802315		Pin		1
3	:9098786260		Pin 50Dx6		1
4	02/801838		Gear crankshaft		1
5	02/801732		Kit-main bearing BLUE		5

5	02/801733		Kit-main bearing BLACK	5
5	02/801734		Kit-main bearing BROWN (2 shells)	5
6	02/801154		Washer thrust	1
7	02/801155		Washer thrust	2
8	02/801842		Bearing big-end green <i>Please raise techweb call for correct replacement</i>	4
8	02/802677		Bearing big-end yellow <i>Please raise techweb call for correct replacement</i>	4
9	02/801844		Rod connecting <i>Please raise techweb call for correct replacement</i>	4
10	****		None serviced part	0
11	02/801158		Bolt con-rod	8
12	02/801845		Bush small end	4
13	02/802303		Piston	4
14	02/801164		Pin gudgeon	4
15	02/801163		Ring snap	8
16	02/801841		Kit-piston ring	4



9802/5600 W1-5-1 PULLEYS & FAN BELT



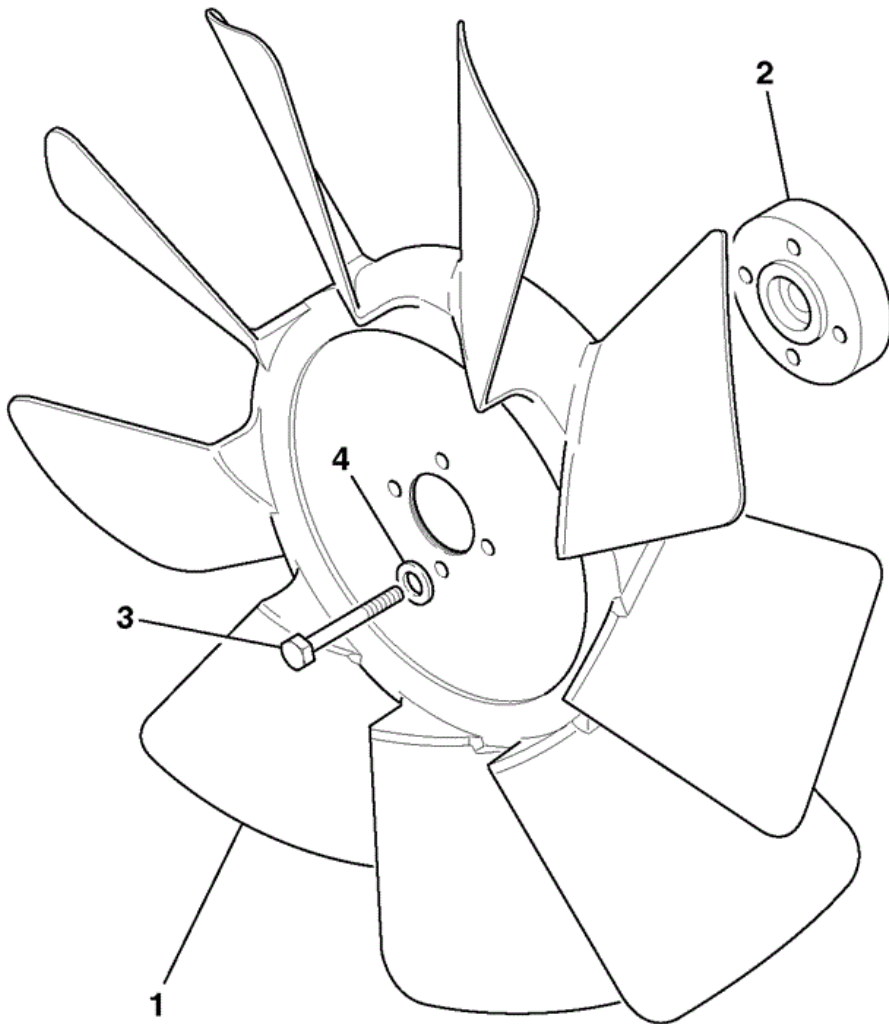
874641

Item	Part #	Change No	Description	Usage Code	QTY
1	02/802230		Pulley crankshaft		1
2	02/802192		Bolt crankshaft pulley		4
3	02/802309		Pulley water pump		1

4	02/802236		Belt fan		1
5	02/802340		Pulley alternator		1
6	1812294740		Nut		1
7	1812294790		Washer spring		1



9802/5600 W1-5-2 FAN, COOLING



870460

Item	Part #	Change No	Description	Usage Code	QTY
1	30/925628		Fan Cooling		1
2	913/10380		Coupling fan drive		1
3	1316/0405D		Screw M10 x 20		4

4

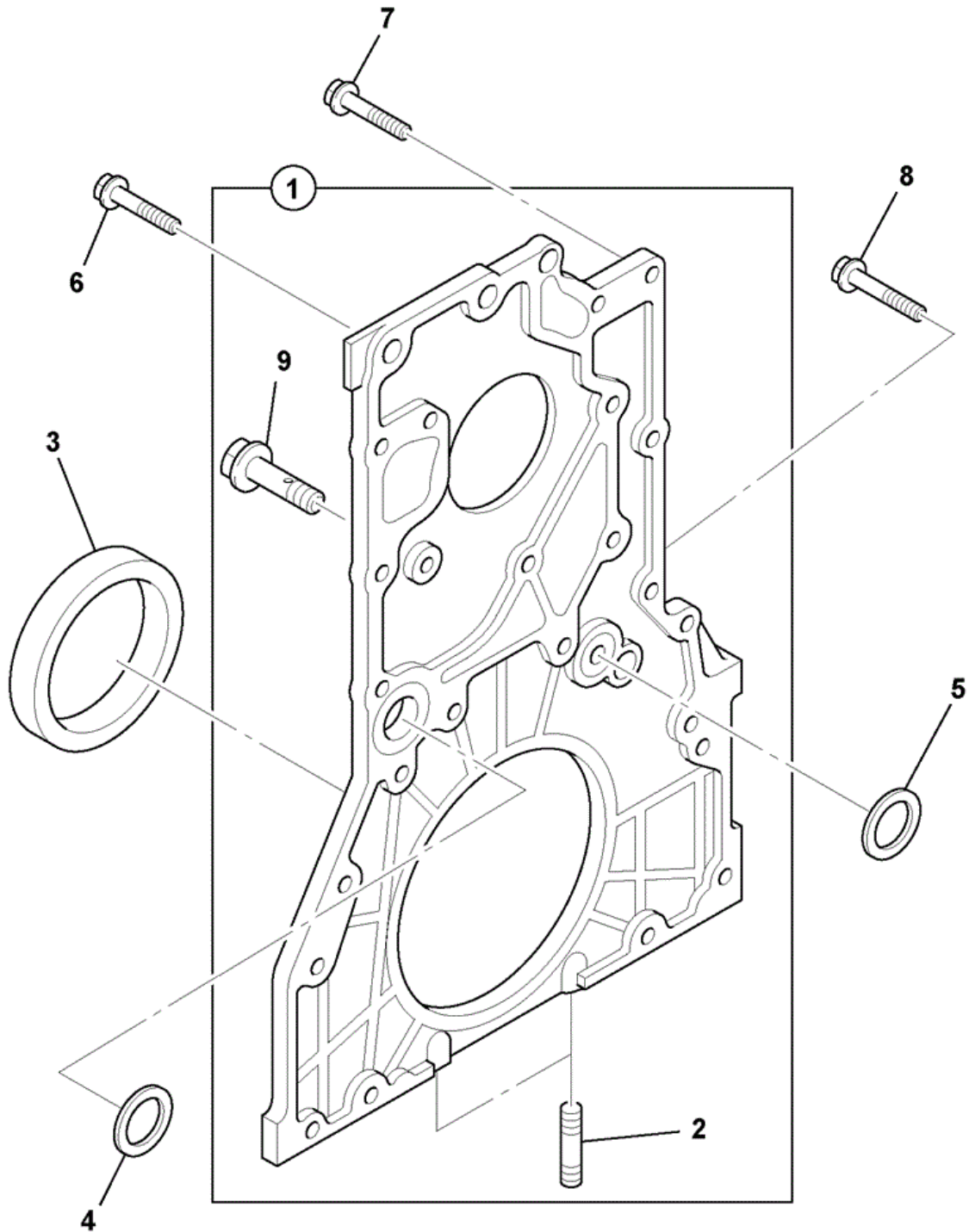
1420/0008D

Washer (M10)

4



9802/5600 W1-6-1 TIMING CASE & FRONT COVER



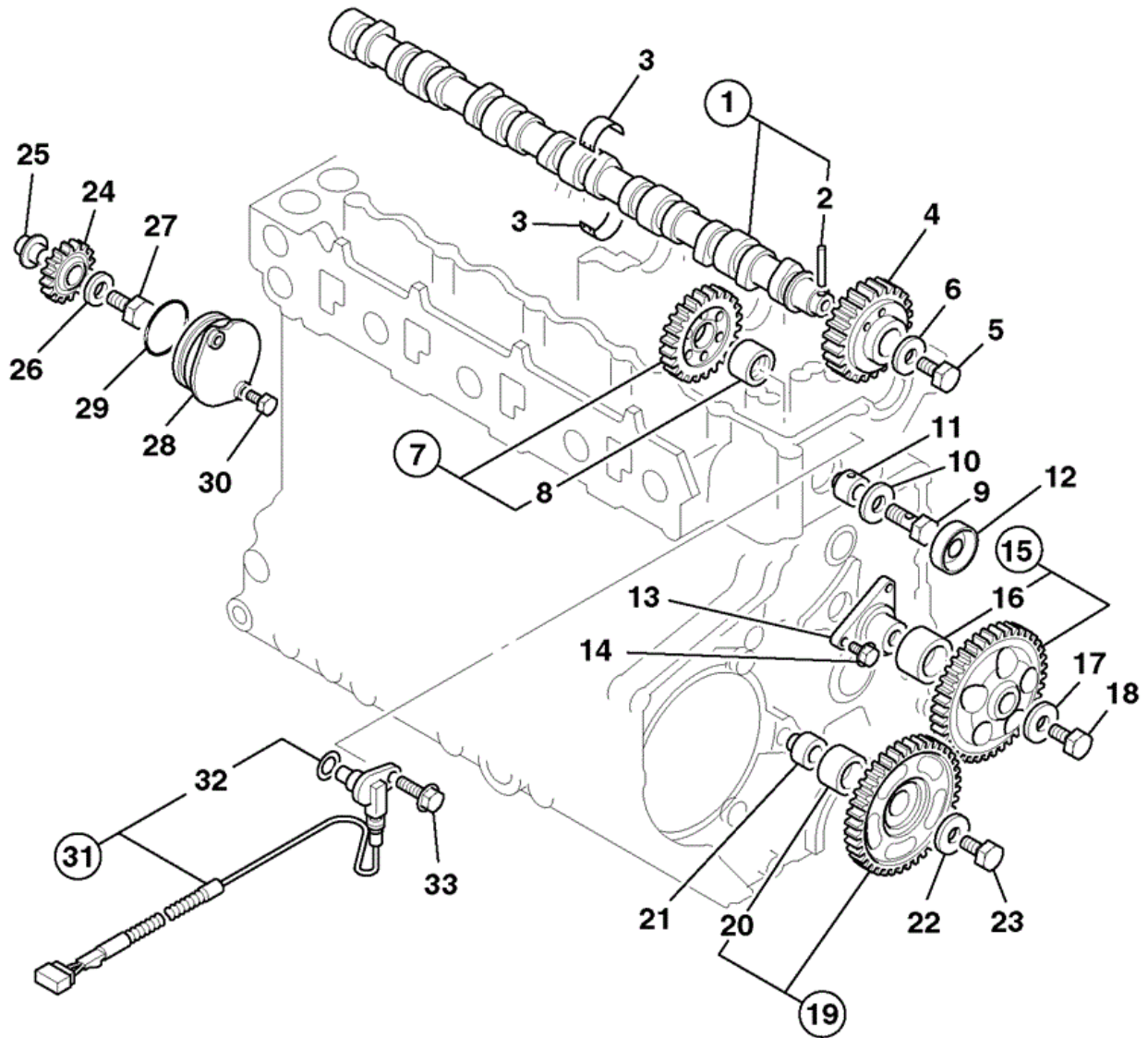
870621

Item	Part #	Change No	Description	Usage Code	QTY
1	02/802235		Cover timing case		1
2	:02/802608		Stud		2
3	02/802276		Seal oil front		1

4	02/801082		Gasket gear case to cylinder block		1
5	02/802318		Gasket		1
6	02/802127		Bolt		1
7	02/802394		Bolt cyl. head		14
8	02/801602		Bolt L=55		3
9	02/802067		Valve		1



9802/5600 W1-6-2 CAMSHAFT & TIMING GEARS



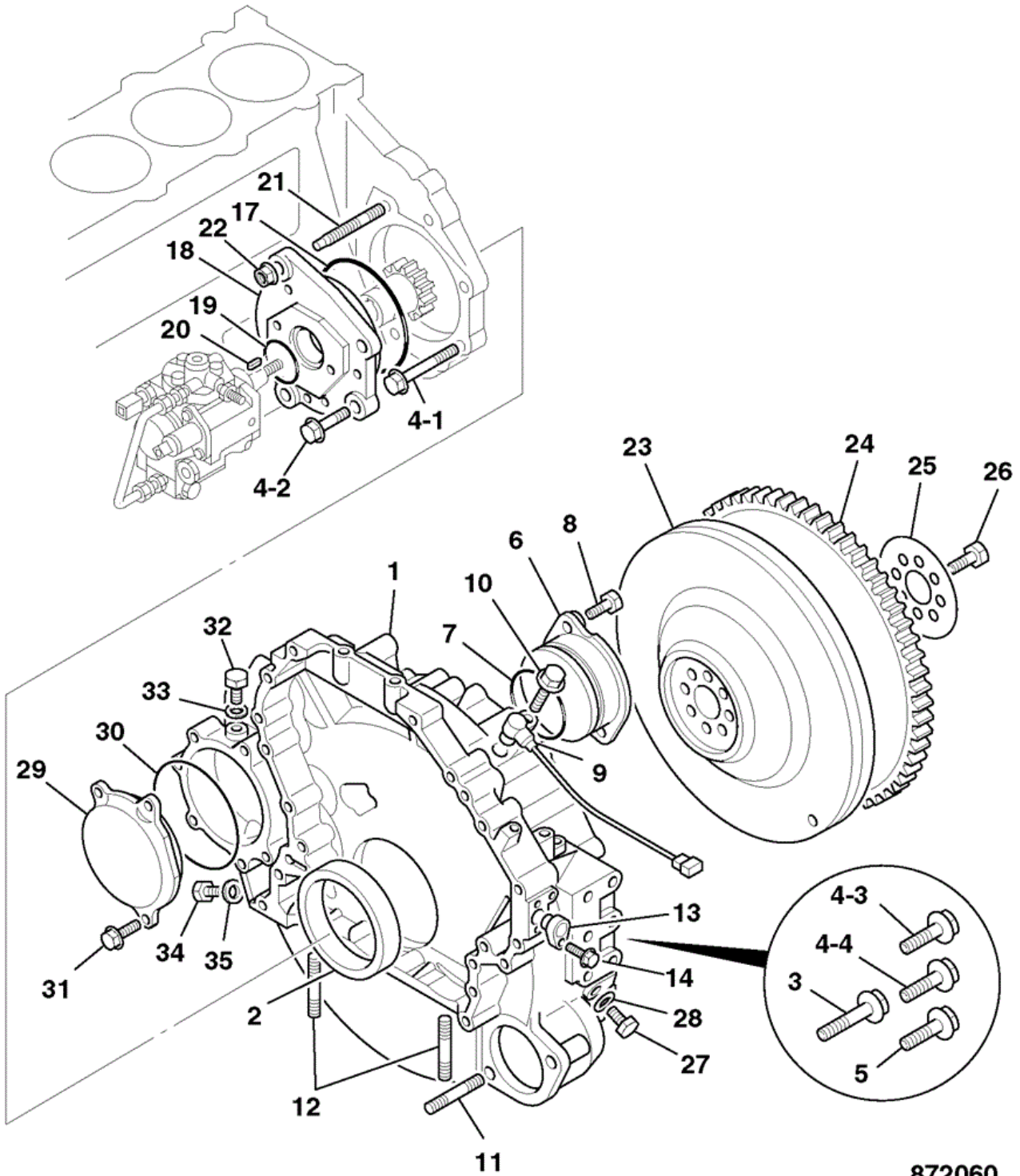
872050

Item	Part #	Change No	Description	Usage Code	QTY
1	02/802081		Camshaft		1
2	:02/801212		Pin set		1
			Bearing		

3	02/801825		<i>upper & lower</i>		10
4	02/802082		Gear camshaft		1
5	02/801208		Bolt camshaft gear		1
6	02/800009		Washer cam		1
7	02/802094		Gear		1
8	:02/802099		Bush		1
9	02/802087		Bolt idler gear		1
10	02/801833		Collar thrust		1
11	02/801799		Shaft idle gear		1
12	02/802089		Cover idler gear		1
13	02/801981		Shaft idler	A	1
14	02/802088		Bolt		3
15	02/801943		Gear idler	A	1
16	:02/802098		Bush		1
17	02/801833		Collar thrust		1
18	02/801215		Bolt idler gear		1
19	02/802093		Gear idler (B)	B	1
20	:02/802097		Bush		1
21	02/802091		Shaft idler	B	1
22	02/801833		Collar thrust		1
23	02/802095		Bolt thrust collar		1
24	02/801947		Gear idler	C	1
25	02/802012		Shaft idler gear	C	1
26	02/802092		Collar thrust		1
27	02/802090		Bolt idler gear shaft		1
28	02/801790		Cover idler gear		1
29	02/801069		O Ring		1
30	02/802418		Bolt M8X16		2
31	716/30312		Sensor camshaft angle		1
32	:02/802285		Gasket		1
33	02/802536		Bolt M6x12		1



9802/5600 W1-7-1 FLYWHEEL & HOUSING



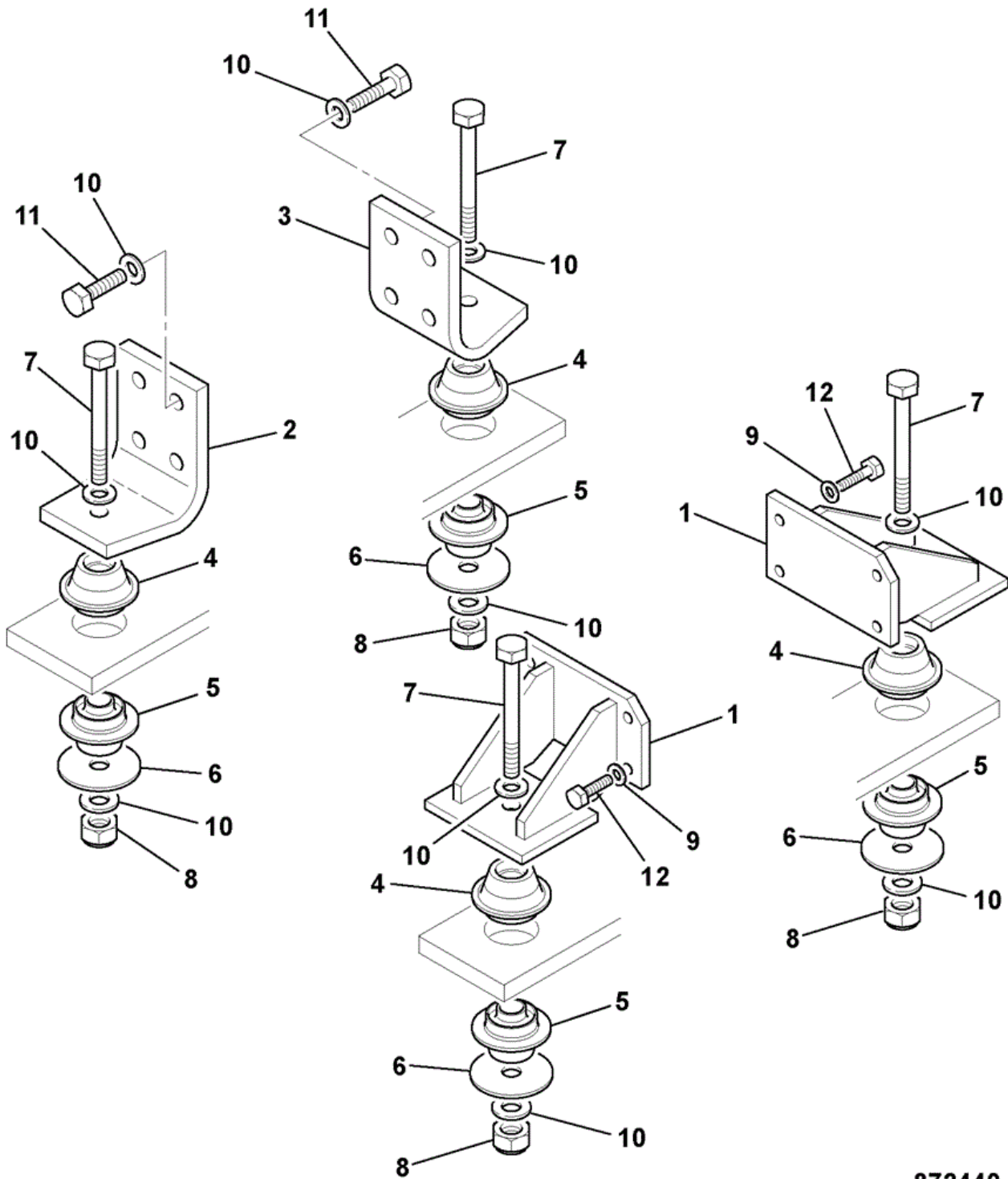
872060

Item	Part #	Change No	Description	Usage Code	QTY
1	02/802312		Housing flywheel		1
2	02/802207		Seal oil rear		1
3	02/802135		Bolt		2

4-1	02/802128		Bolt		1
4-2	02/802671		Bolt		1
4-3	02/802199		Bolt		11
4-4	02/802200		Bolt		1
5	02/802144		Bolt		1
6	02/801790		Cover idler gear <i>See also W1-6-2</i>		1
7	02/801069		O Ring <i>See also W1-6-2</i>		1
8	02/802418		Bolt M8X16 <i>See also W1-6-2</i>		2
9	716/30301		Sensor crankshaft angle		1
10	02/802536		Bolt M6x12		1
11	02/802149		Stud		2
12	02/802068		Stud		2
13	02/801851		Cover sensor hole		1
14	02/802407		Bolt sensor M6x16		1
17	02/802193		Gasket		1
18	02/802288		Case assembly bearing inj.pump		1
19	02/802307		O Ring		1
20	02/801924		Key		1
21	02/801816		Stud water pump		2
22	02/802154		Nut		2
23	02/802231		Flywheel		1
24	:02/801726		Gear flywheel ring		1
25	02/801147		Plate clamping		1
26	02/802206		Bolt		8
27	02/802180		Plug		1
28	9095714160		Washer seal		1
29	02/801068		Cover		1
30	02/801069		O Ring		1
31	0280808140		Bolt flange head M8 x 14		1
32	9092023080		Plug		1
33	1096300840		Washer seal		1
34	9992023160		Plug drain		1
35	9095714160		Washer seal		1



9802/5600 W1-8-1 ENGINE MOUNTINGS



872440

Item	Part #	Change No	Description	Usage Code	QTY
1	335/09713		Bracket engine mounting front		1
2	331/52130		Bracket engine mounting rear		1
3	331/52129		Bracket engine mounting rear		1

4	KRH0780		Mounting metalastik	4
5	KRH0781		Mounting metalastik	4
6	KNH0589		Plate	4
7	1316/3724D		Bolt M16 X 140	4
8	1371/0603D		Nut M16 self locking	4
9	JHP0045		Washer	4
9	JHP0046		Washer M10 <i>Replaces JHP0045</i>	4
10	JHP0043		Washer M16	16
11	1316/0711D		Setscrew M16 x 45	8
12	1316/0407D		Screw	4



Suggest:

For more complete manuals. Please go to the home page.

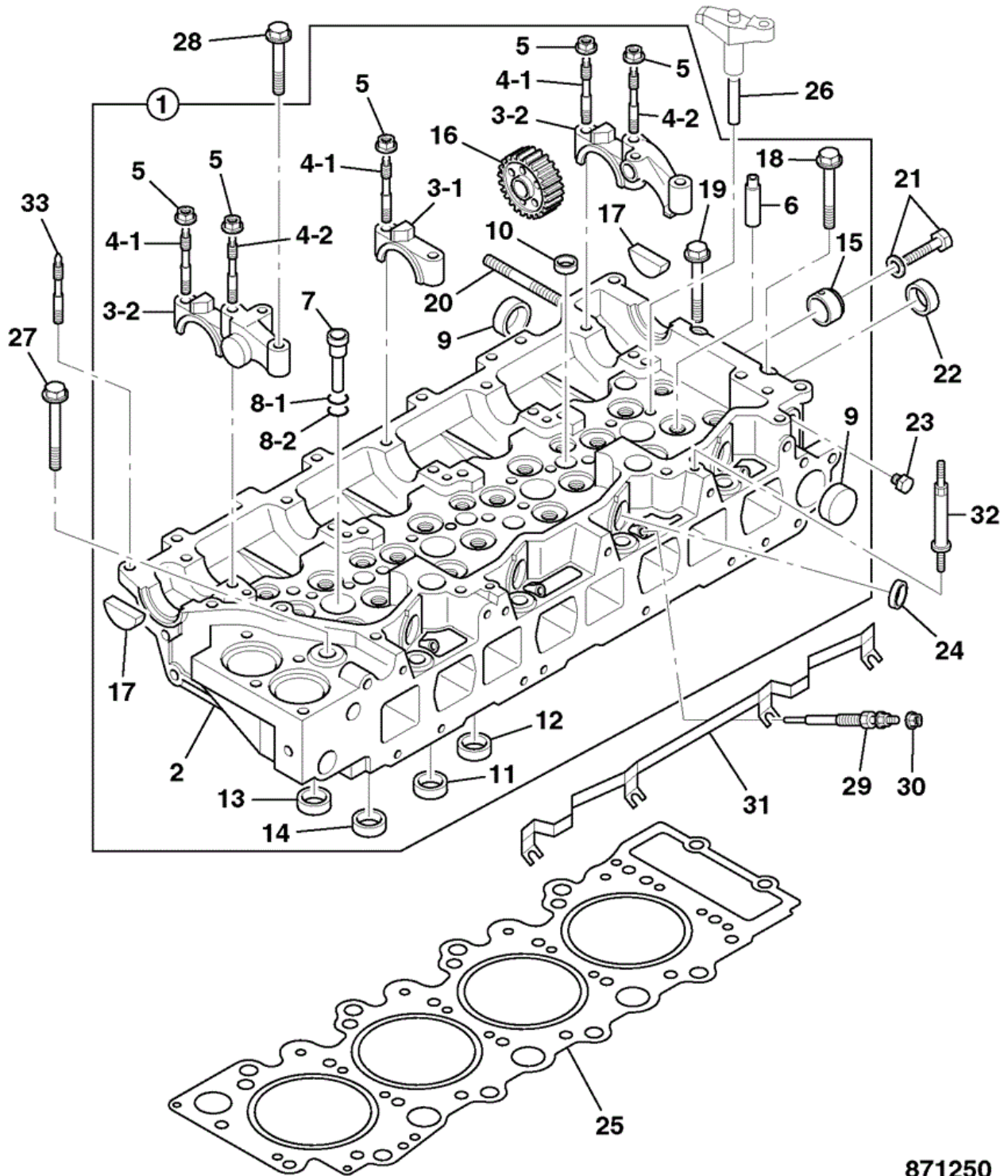
<https://www.ebooklibonline.com>

If the above button click is invalid. Please download this document first, and then click the above link to download the complete manual.

Thank you so much for reading



9802/5600 W2-1-1 CYLINDER HEAD



871250

Item	Part #	Change No	Description	Usage Code	QTY
1	02/802044	NLA	Head cylinder assembly <i>See items 1A,1B & 1C below</i>		1
1A	333/C8076		Head cylinder assembly		1

1B	02/802700		Seal valve stem <i>Only required with 1A if MC before July 2007 otherwise not required</i>	16
1C	02/801241		Seat spring lower <i>Only required with 1A if MC before July 2007 otherwise not required</i>	16
2	****		None serviced part	1
3-1	****		None serviced part	3
3-2	****		None serviced part	2
4	:02/801191		Stud camshaft bracket M8 x 41 L=66	8
4	:02/801192		Stud camshaft bracket M8 x 54 L=79	2
5	:02/802388		Nut cover M8	10
6	:02/801198		Guide valve	16
7	:02/801794		Sleeve nozzle holder	4
8-1	:02/801795		Seal	4
8-2	:02/801796		Seal	4
9	:02/802050		Plug D=32mm	4
10	:1096000160		Plug D=25	5
11	:9111291280		Plug sealing, D=20	5
12	:5111290060		Plug sealing, D=16	7
13	:02/801196		Insert seat inlet valve	8
14	:02/801197		Insert seat exhaust valve	8
15	****		'See Remark' <i>Camshaft & timing gears, See frame W1-6-2</i>	1
16	:02/802094		Gear	1
17	:02/801205		Plug	2
18	:02/801202		Bolt cylinder head M10 x 43	1
19	:02/801204		Bolt cylinder head M10 x 73	1
20	:02/801187		Stud M10 x 60 L=75	2
21	****		'See Remark' <i>Camshaft & timing gears, See frame W1-6-2</i>	0
22	02/802089		Cover idler gear	1
23	02/801798		Plug	1
24	02/801207		Gasket injector sleeve	4
25	02/802045		Gasket cylinder head T=1.475, no hole	1
26	02/801797		Guide bridge	8
27	02/802048		Bolt	18
28	02/802482		Bolt M8 x 35	2
29	717/20347		Thermostart	4
30	02/802060		Nut	4
31	02/802051		Connector bar	1
32	02/802062		Stud cylinder head	1
33	02/802054		Stud	2

<https://www.ebooklibonline.com>

Hello dear friend!

Thank you very much for reading.

Enter the link into your browser.

The full manual is available for immediate download.

<https://www.ebooklibonline.com>