

ENGINES CURSOR

F3BE0684G*E901

F3BE0684H*E901

F3CE0684A*E001

F3CE0684B*E003

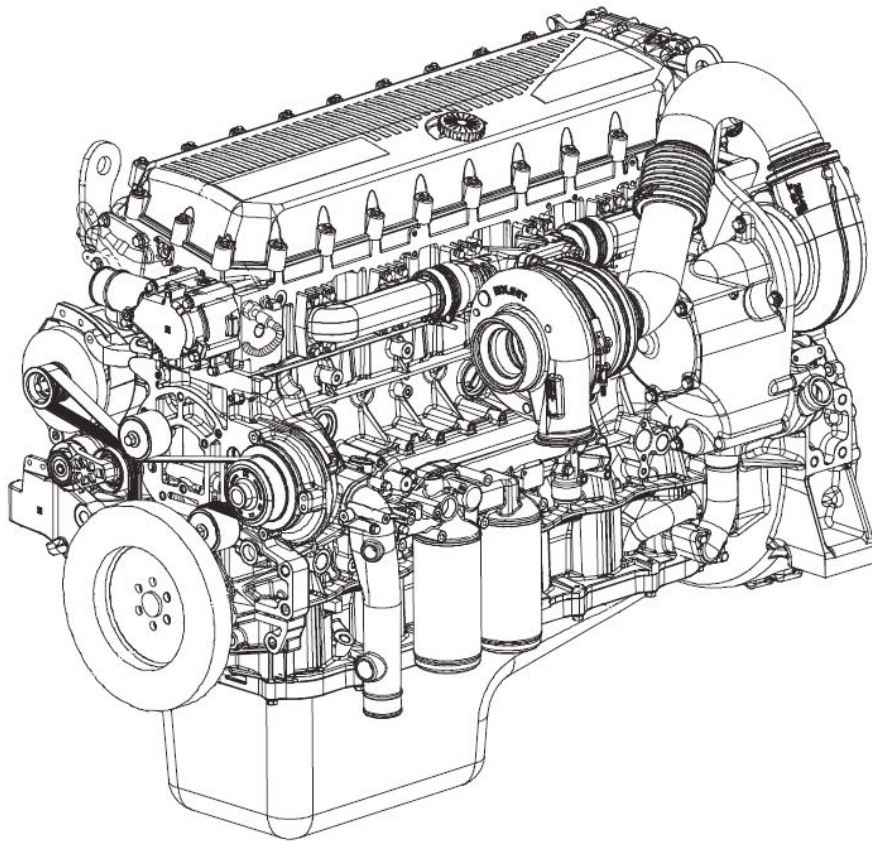
Repair Manual

84144130 9/08
1st Printing

CASE *ii*
AGRICULTURE



REPAIR MANUAL



F3BE0684G*E901
F3BE0684H*E901
F3CE0684A*E001
F3CE0684B*E003

Contents

INTRODUCTION

DISTRIBUTION SYSTEMS..... A

ELECTRICAL POWER SYSTEM A.30.A

POWER PRODUCTION B

ENGINE B.10.A

FUEL AND INJECTION SYSTEM..... B.20.A

AIR INTAKE SYSTEM..... B.30.A

EXHAUST SYSTEM..... B.40.A

ENGINE COOLANT SYSTEM B.50.A

LUBRICATION SYSTEM B.60.A

STARTING SYSTEM B.80.A

<https://www.ebooklibonline.com>

Hello dear friend!

Thank you very much for reading.

Enter the link into your browser.

The full manual is available for immediate download.

<https://www.ebooklibonline.com>



INTRODUCTION

Contents

INTRODUCTION

Foreword	3
Safety rules	4

Foreword

This publication contains data, features instructions and methods for performing repair operations on the assembly and its components and is addressed to qualified, specialized personnel.

Check to make sure you have the right publication related to the component you are about to work on before you start. Make sure that you have all the necessary safety equipment: safety glasses, helmet, gloves, footwear, etc. Check that the working lifting and transport equipment is available and in working order. Make sure that vehicle is secured. Proceed by carefully observing the instructions contained in this publication and use the indicated specific tools to ensure correct repair procedures and safety of operators.

Safety rules

Standard safety precautions

Be informed and notify personnel of the laws in force regulating safety, and provide documentation available for consultation.

- Keep working areas as clean as possible.
- Ensure that working areas are provided with emergency boxes. They must be clearly visible and always contain adequate sanitary equipment.
- Fire extinguishers must be properly identified and always be clear of obstructions. Their efficiency must be checked on a regular basis and personnel must be trained on proper interventions and priorities.
- Keep all emergency exits free of obstructions and clearly marked.
- Smoking in working areas subject to fire danger must be strictly prohibited.

Prevention of injury

- Wear suitable work attire and safety glasses with no jewelry such as rings and chains when working close to engines and equipment in motion.
- Wear safety gloves and goggles when performing the following operations:
 - Topping off or changing lubrication oils.
 - Using compressed air or liquids at a pressure greater than **2 bar (29 psi)**.
- Wear a safety helmet when working close to hanging loads or equipment working at head level.
- Always wear safety shoes and fitting clothes.
- Use protection cream for hands.
- Change wet clothes as soon as possible.
- In the presence of voltages exceeding **48 - 60 V**, verify the efficiency of the ground and mass electrical connections. Ensure that hands and feet are dry and use isolating foot boards. Workers should be properly trained to work with electricity.
- Do not smoke or start an open flame close to batteries and any fuel material.
- Place soiled rags with oil, diesel fuel or solvents in specially provided anti-fire containers.
- Do not use any tool or equipment for any use other than what it was originally intended for. Serious injury may occur.
- If running an engine indoors, make sure there is a sufficient exhaust fan in use to eliminate exhaust fumes.

During maintenance

- Never open the filler cap of the cooling system when the engine is hot. High temperature liquid at operating pressure could result in serious danger and risk of burn. Wait until the temperature decreases under **50 °C (122 °F)**.
- Never add coolant to an overheated engine and use only appropriate liquids.
- Always work when the engine is turned off. Certain circumstances require maintenance on a running engine. Be aware of all the risks involved with such an operation.
- Always use adequate and safe containers for engine fluids and used oil.
- Keep engine clean of any spilled fluids such as oil, diesel fuel, and or chemical solvents.
- Use of solvents or detergents during maintenance may emit toxic vapors. Always keep working areas aerated. Wear a safety mask if necessary.
- Do not leave soiled rags that may contain any flammable substances close to the engine.
- Always use caution when starting an engine after any work has been performed. Be prepared to cut off intake air in case of engine runaway.
- Never disconnect the batteries while the engine is running.

- Disconnect the batteries prior to performing any work on the equipment.
- Disconnect the batteries to place a load on them with a load tester.
- After any work is performed, verify that the battery clamp polarity is correct and that the clamps are tight and safe from accidental short circuit and oxidation.
- Before disconnecting any pipelines (pneumatic, hydraulic, fuel pipes, etc.), verify that all pressure has been released. Take all necessary precautions bleeding and draining residual pressure. Always wear the proper safety equipment.
- Do not alter the lengths of any wires.
- Do not connect any electronic service tool to the engine electrical equipment unless specifically approved by Iveco.
- Do not modify the fuel system or hydraulic system unless approved by Iveco, Any unauthorized modification will compromise warranty assistance and may affect engine operation and life span.

For engine equipped with an electronic control unit

- Do not weld on any part of the equipment without removing the control unit.
- Remove the in case of work requiring heating over **80 °C (176 °F)**.
- Do not paint the components and the electronic connections.
- Do not alter any data filed in the electronic control unit driving the engine. Any manipulation or alteration of electronic components will void engine warranty assistance and may affect the correct working order and life span of the engine.

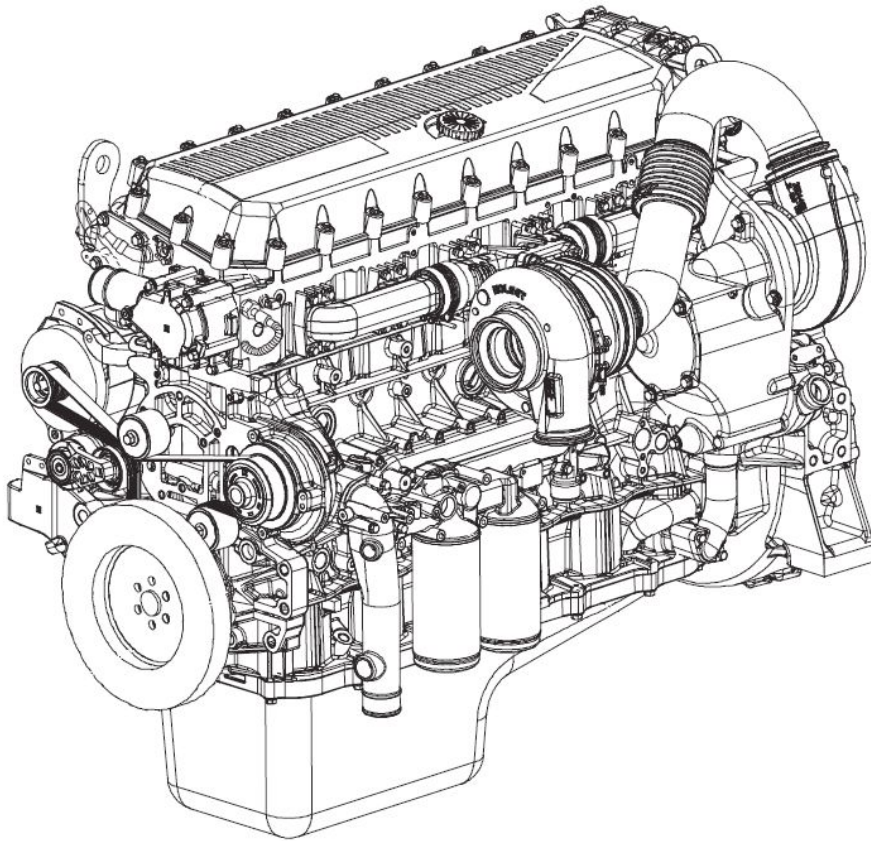
Respect of the Environment

- Respect of the environment should be of primary importance. Take all necessary precautions to ensure personnel's safety and health.
- Inform the personnel of the laws regarding the dispensing of used engine fluids.
- Handle batteries with care, storing them in a well ventilated environment and within anti-acid container.



REPAIR MANUAL

DISTRIBUTION SYSTEMS



F3BE0684G*E901
F3BE0684H*E901
F3CE0684A*E001
F3CE0684B*E003

Contents

DISTRIBUTION SYSTEMS - A

ELECTRICAL POWER SYSTEM	A.30.A
F3BE0684G*E901 , F3BE0684H*E901 , F3CE0684A*E001 , F3CE0684B*E003	



DISTRIBUTION SYSTEMS - A

ELECTRICAL POWER SYSTEM - 30.A

**F3BE0684G*E901
F3BE0684H*E901
F3CE0684A*E001
F3CE0684B*E003**

Contents

DISTRIBUTION SYSTEMS - A

ELECTRICAL POWER SYSTEM - 30.A

FUNCTIONAL DATA

Alternator

Overview	3
F3CE0684A*E001	
Overview	4
F3CE0684B*E003, F3BE0684H*E901, F3BE0684G*E901	

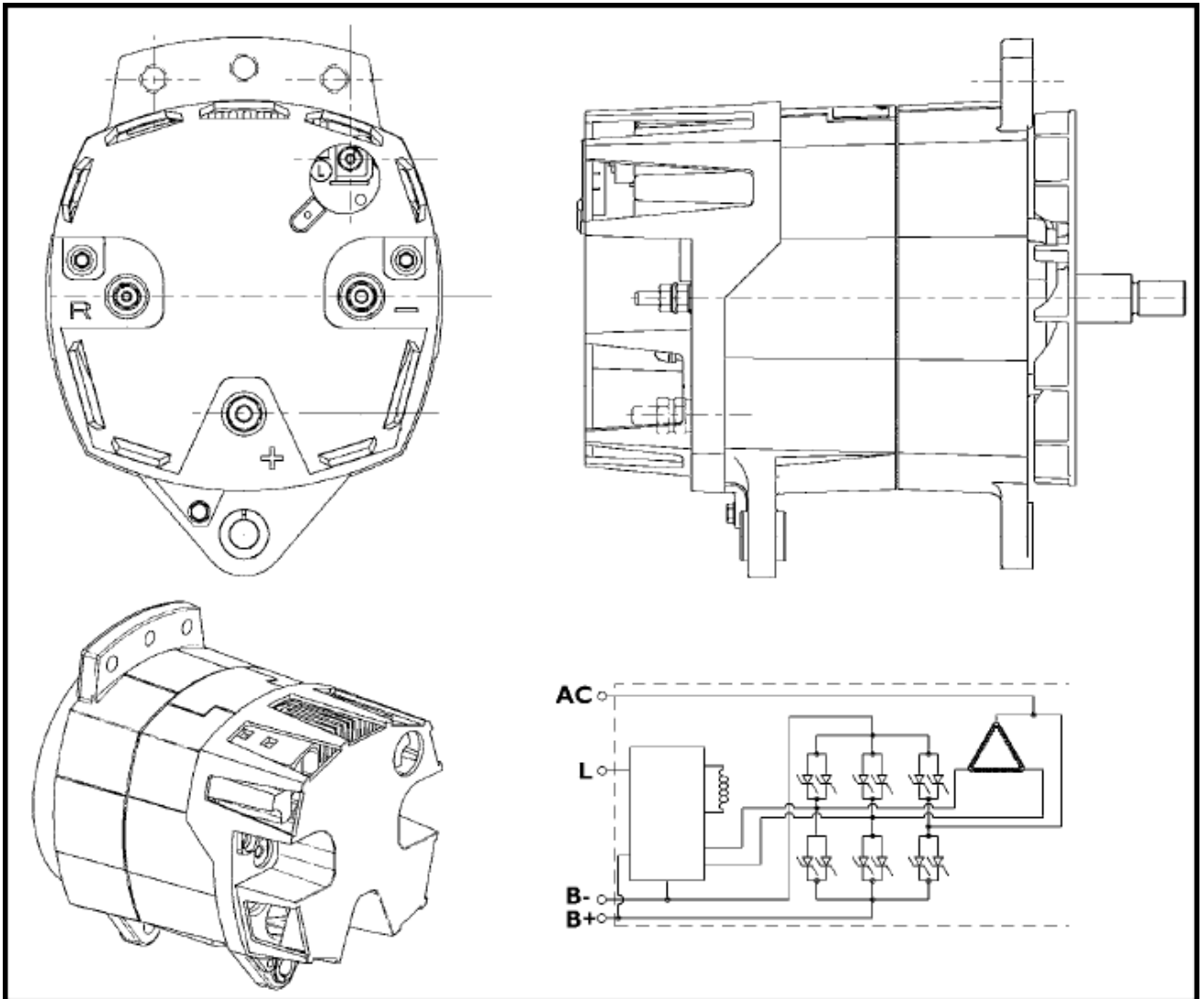
SERVICE

Alternator

Remove	5
F3CE0684A*E001	
Install	6
F3CE0684A*E001, F3CE0684B*E003	
Remove	7
F3CE0684B*E003	
Remove	8
F3BE0684H*E901, F3BE0684G*E901	
Install	9
F3BE0684H*E901, F3BE0684G*E901	

Alternator - Overview

F3CE0684A*E001

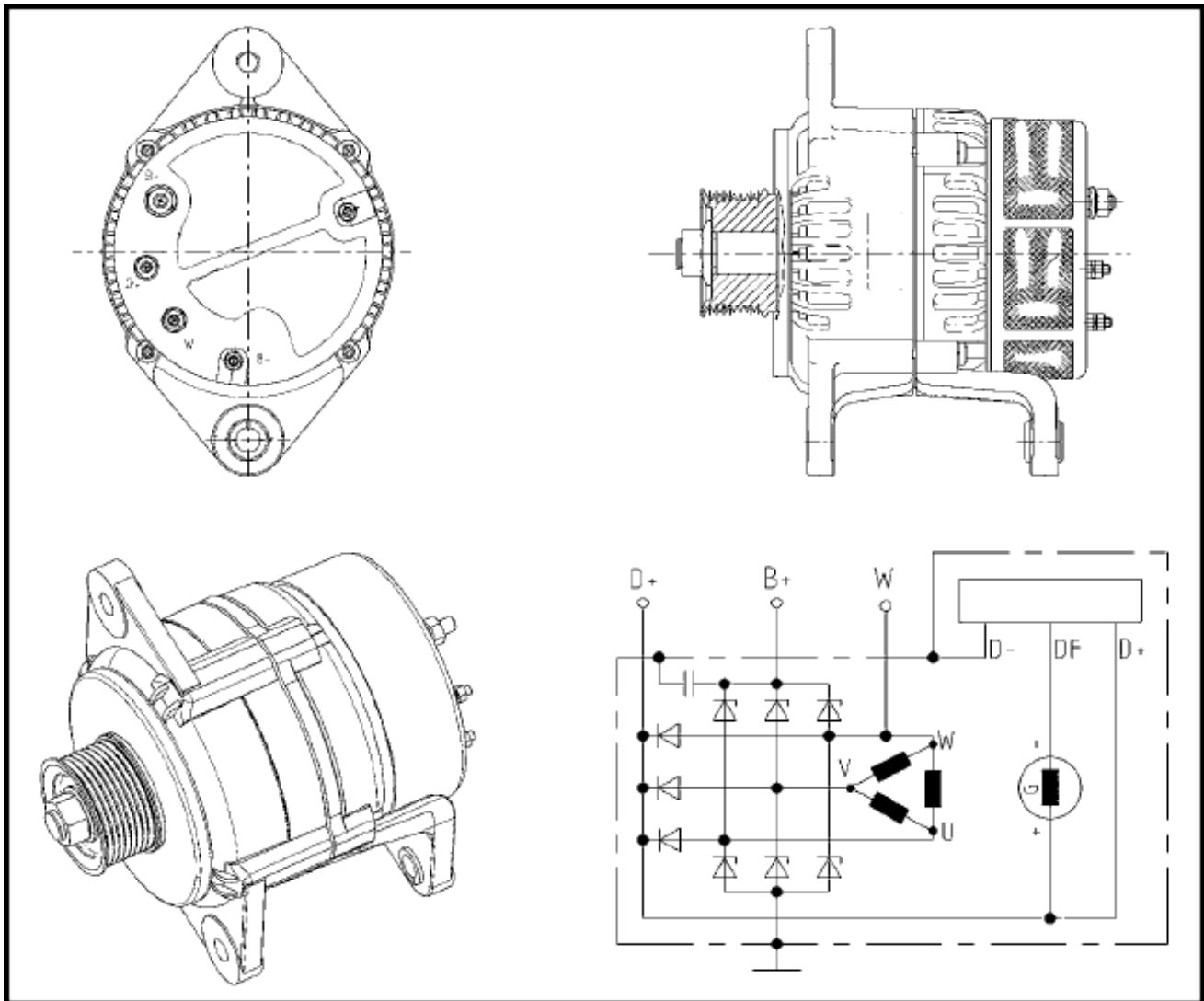


ALTERNATOR(A) 1

Manufacturer	LEECE NEVILLE
Technical features	12 V 185 A

Alternator - Overview

F3CE0684B*E003, F3BE0684H*E901, F3BE0684G*E901



ALTERNATOR(B) 1

Manufacturer	ISKRA
Technical features	14 V 175 A

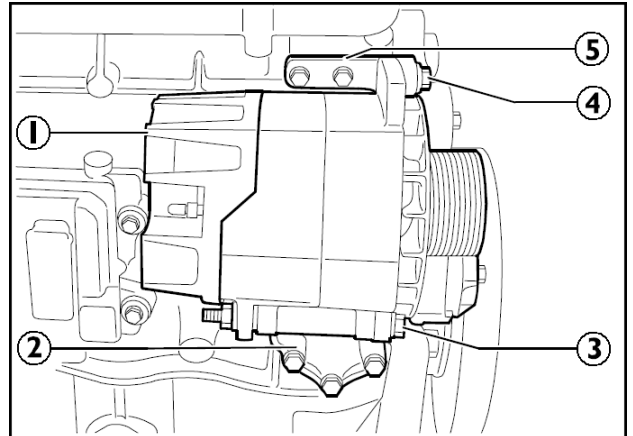
Alternator - Remove

F3CE0684A*E001

Prior operation:

Fan and drive Belt - Remove (B.50.A)

1. Loosen and remove the screws (3) and (4) fastening the alternator (1) to the supporting brackets (2) and (5).
2. Remove the supporting brackets (2) and (5) from the engine.



ALTERNATOR2F3C 1

Next operation:

Alternator - Install (A.30.A)

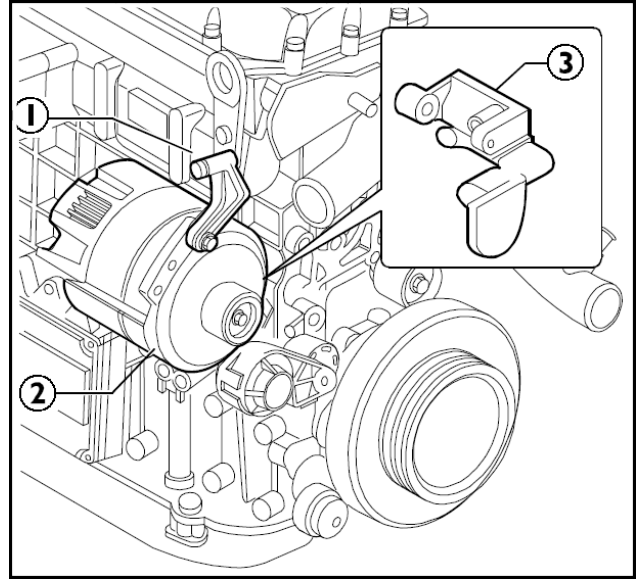
Alternator - Install

F3CE0684A*E001, F3CE0684B*E003

Prior operation:

Alternator - Remove (A.30.A)

1. Mount the alternator support brackets (1) and (3).
2. Install the alternator (2) and tighten the screws to the prescribed torque.



ALTERNATOR3F3C 1

Next operation:

Fan and drive Belt - Install (B.50.A)

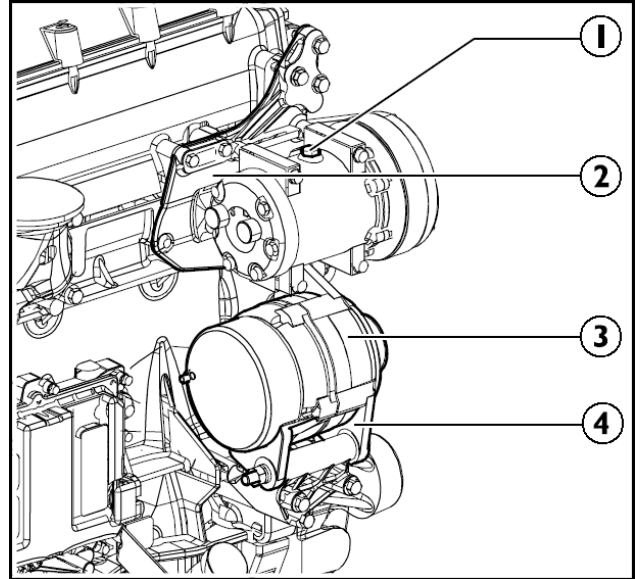
Alternator - Remove

F3CE0684B*E003

Prior operation:

Fan and drive Belt - Remove (B.50.A)

1. Remove the bolts from the compressor **(1)** support **(2)** and remove the assembly from the engine.
2. Loosen the bolts and remove the alternator **(3)**.
3. Loosen the bolts and remove the alternator support **(4)** from the engine.



ALTERNATORF3C 1

Next operation:

Alternator - Install (A.30.A)

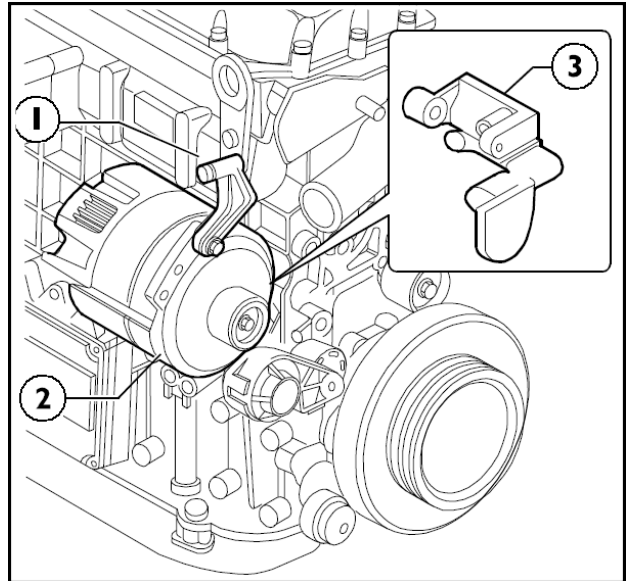
Alternator - Remove

F3BE0684H*E901, F3BE0684G*E901

Prior operation:

Fan and drive Belt - Remove (B.50.A)

1. Remove the alternator (2) and it's supports (1) and (3).



ALTERNATOR 1

Next operation:

Alternator - Install (A.30.A)



Suggest:

For more complete manuals. Please go to the home page.

<https://www.ebooklibonline.com>

If the above button click is invalid. Please download this document first, and then click the above link to download the complete manual.

Thank you so much for reading

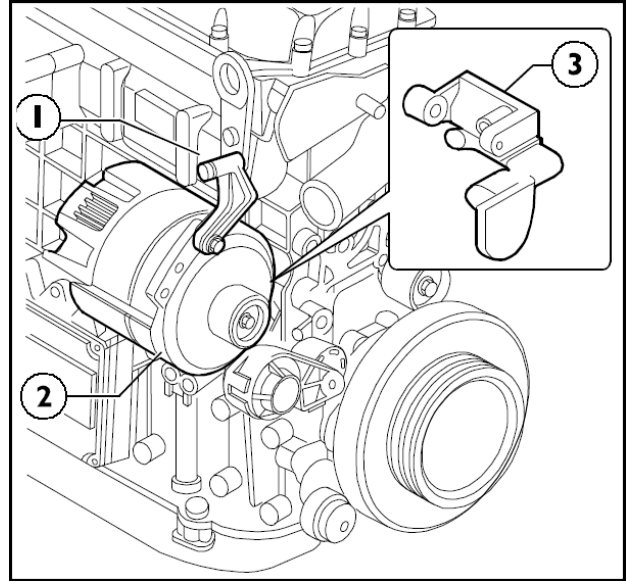
Alternator - Install

F3BE0684H*E901, F3BE0684G*E901

Prior operation:

Alternator - Remove (A.30.A)

1. Install the alternator supports (1) and (3).
2. Mount the alternator (2) to the supports (1) and (3).



ALTERNATOR 1

Next operation:

Fan and drive Belt - Install (B.50.A)

Index

DISTRIBUTION SYSTEMS - A

ELECTRICAL POWER SYSTEM - 30.A

Alternator - Install	6
F3CE0684A*E001, F3CE0684B*E003	
Alternator - Install	9
F3BE0684H*E901, F3BE0684G*E901	
Alternator - Overview	3
F3CE0684A*E001	
Alternator - Overview	4
F3CE0684B*E003, F3BE0684H*E901, F3BE0684G*E901	
Alternator - Remove	5
F3CE0684A*E001	
Alternator - Remove	7
F3CE0684B*E003	
Alternator - Remove	8
F3BE0684H*E901, F3BE0684G*E901	

<https://www.ebooklibonline.com>

Hello dear friend!

Thank you very much for reading.

Enter the link into your browser.

The full manual is available for immediate download.

<https://www.ebooklibonline.com>