

1000 Series Corn Head

Service Manual

**Replaces Section 9116
From The 1600 Series
Combine Service Manual**

Rac 6-10870

Reprinted

CASE IH

TABLE OF CONTENTS

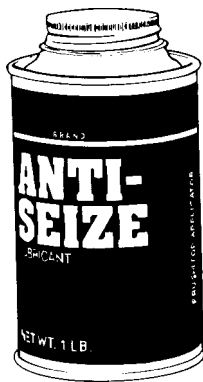
NOTE: Case Corporation reserves the right to make improvements in design or changes in specifications at any time without incurring any obligation to install them on units previously sold.

SPECIFICATIONS	3
SPECIAL TOOLS AND LOCTITE	3
SPECIAL TORQUE VALUES	4
STALK ROLL ASSEMBLY	5
ASSEMBLY AND INSTALLATION	17
GEAR DRIVE ASSEMBLY	18
CLUTCH ASSEMBLY	28
STALK ROLL AND FRAME	32
HEADER AUGER SLIP CLUTCH	40

SPECIFICATIONS

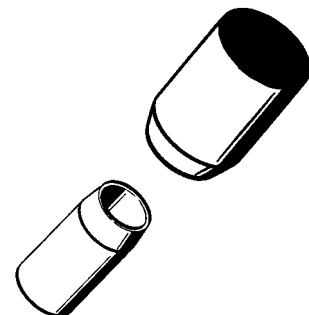
	U.S. Value	Metric Value
Single Clutch		
Spring Height Adjustment		
Top of Spring Washer to Bottom of Spring Retainer	1.7 Inch	43.5 mm
Torque Required to Slip Clutch.....	230 to 300 Foot Pounds	312 to 407 Nm
Double Clutch		
Spring Height Adjustment		
Torque Required to Slip Clutch.....	250 to 315 Foot pounds	340 to 440 Nm
Stalk Roll Knife to Weed Knife Clearance.....	0.060 Inch	1.524 mm
Auger Clearance to Stripper	0.3125 Inch	8 mm
Auger Clearance to Trough.....	1 Inch	25 mm
Stalk Roll Weed Knife Clearance.....	0.0625 Inch	1.5 mm
Stalk Roll Knife Cutting Edge Clearance	0.0312 to 0.0781 inch	0.8 to 2 mm
Stalk Roll Knife Stripper Shield Clearance		
Front.....	1.250 Inch	32 mm
Rear	1.375 Inch	35 mm
Gather Chain Adjustment Between		
Washer and Sleeve		
Stalk Roll Alignment Between Knives.....	0.125 to 0.25 Inch	3 to 6.5 mm
Auger Slip Clutch Spring Height Adjustment	1.8125 Inch	46 mm
Stalk Roll Drive Lubricant Capacity	0.50 Inch	13 mm
Stalk Roll Drive Lubricant - CASE HEP 85W-140 Gear Lubricant	4.5 pint	2.13 Litre
Seal Installation Depth - Case to Face of Seal		
Main Shaft End Cap	0.393 Inch	10 mm
Stalk Roll Housing.....	0.73 Inch	18.5 mm
Gather Shaft.....	0.196 Inch	5 mm
Anti Siese Compound on Chain Tension Sliding Rods		
Permatex No. 2 on Oil Level Gauge Threads		
LOCTITE 515 on all Stalk Roll Drive Gasket and OD of Seals		
Stalk Roll Knife to Knife Adjustment	1.1875 Inch	46 mm
Stripper Shield Clearance		
Front.....	1.250 Inch	32 mm
Rear	1.375 Inch	35 mm

SPECIAL TOOLS AND LOCTITE



ANTI-SIEZE LUBRICANT
B17507 - 16 OUNCE CONTAINER

RH00K094



SEAL INSTALLING TOOL
CAS-1856

CAS1856

<https://www.ebooklibonline.com>

Hello dear friend!

Thank you very much for reading.

Enter the link into your browser.

The full manual is available for immediate download.

<https://www.ebooklibonline.com>

SPECIAL TOOLS AND LOCTITE - CONTINUED



RH01051

LOCTITE 515 GASKET ELIMINATOR

B17501 - 6 ML TUBE

SPECIAL TORQUE VALUES

	U.S. Value	Metric Value
Header Input Shaft Bearing	30 to 35 Foot Pounds	45 to 50 Nm
Heater Drive Shaft Bearing	80 to 90 Foot Pounds	110 to 120 Nm
Header Input Shaft Sprocket	100 to 110 Foot Pounds	135 to 150 Nm
Gather Shaft End Cap	35 to 40 Foot Pounds	45 to 55 Nm
Stalk Roll drive Bevel Gear Housing	35 to 40 Foot Pounds	45 to 55 Nm
Gear Drive Mounting Bolts - First	35 to 40 Foot Pounds	45 to 55 Nm
Gear Drive Mounting Eyebolts - Second	80 to 90 Foot Pounds	110 to 120 Nm
Gear Drive to Frame Allen Head Screws	35 to 40 Foot Pounds	45 to 55 Nm
Gear Drive to Frame Bolts	80 to 90 Foot Pounds	110 to 120 Nm
Stalk Roll Point to Frame Bolts	80 to 90 Foot Pounds	110 to 120 Nm
Stalk Roll Chain Sprocket	70 to 95 Foot Pounds	95 to 120 Nm
Stalk Knife Bolts	85 Foot Pounds	115 Nm



Suggest:

For more complete manuals. Please go to the home page.

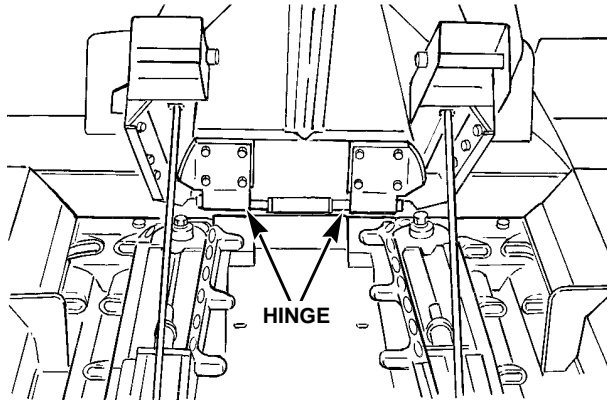
<https://www.ebooklibonline.com>

If the above button click is invalid. Please download this document first, and then click the above link to download the complete manual.

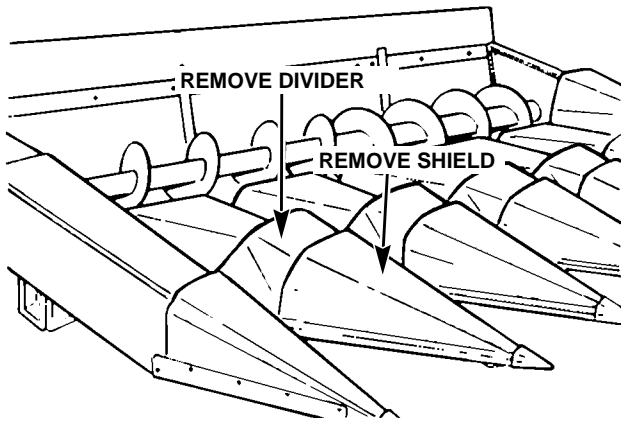
Thank you so much for reading

STALK ROLL ASSEMBLY Removal and Disassembly

STEP 1



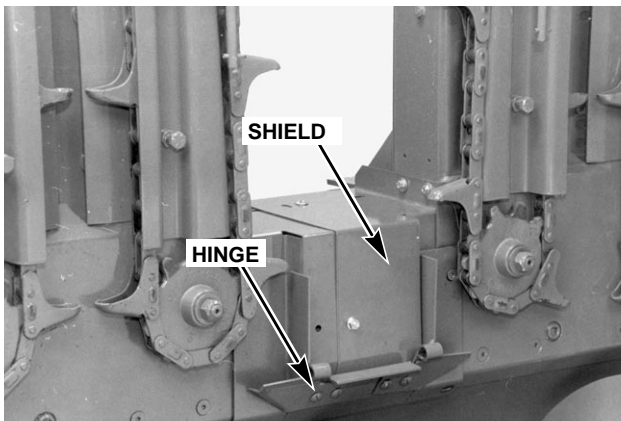
MA14599



MA14653

Remove the shield and divider from the hinge.

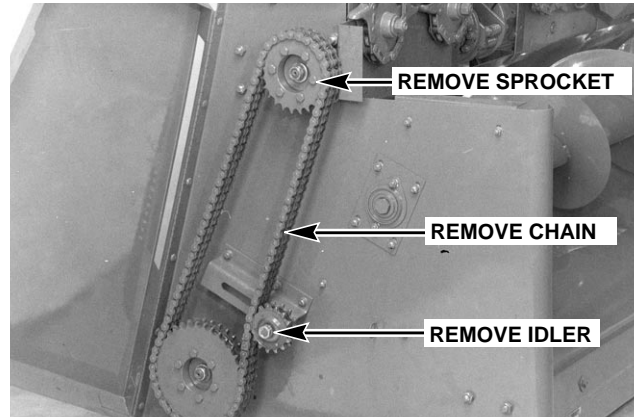
STEP 2



T93061

Remove the shield hinge and the shields between the roll units.

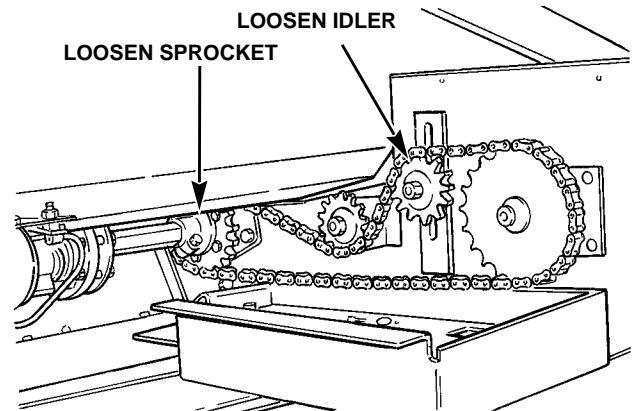
STEP 3



T93065

Remove the idler sprockets, driven sprocket and chain from the header.

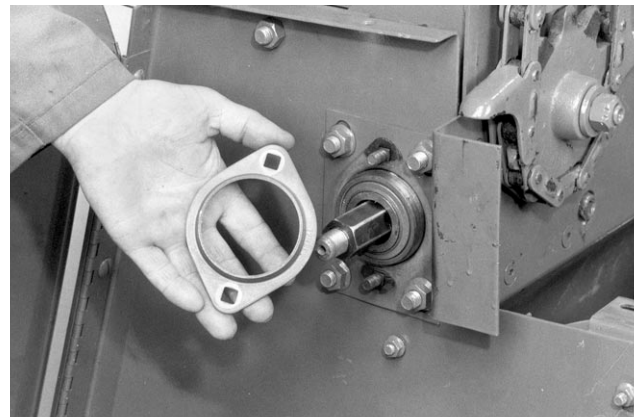
STEP 4



MA14649

If equipped, loosen the internal drive chain idler sprocket and the driven sprocket to permit header shaft removal.

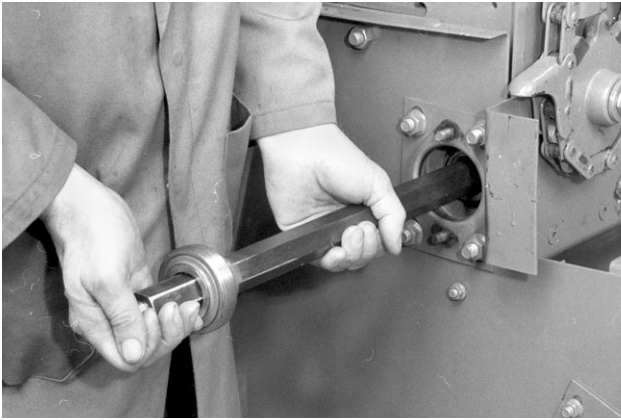
STEP 5



T93066

Remove the shaft bearing retainer from the header frame.

STEP 6



T93067

Remove the header driven shaft from the roll units.

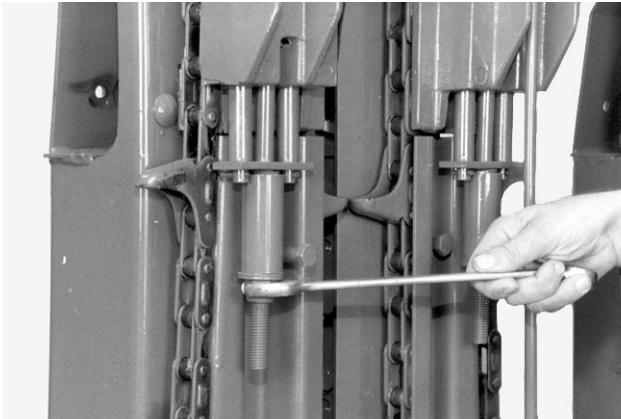
STEP 9



T93072

Remove the chain from the sprockets.

STEP 7



T93070

Loosen the chain tension adjusting nut.

STEP 10



T93073

Remove the drive sprocket from each gatherer shaft.

STEP 8



T93071

Remove the chain guides from the frame.

STEP 11



T93074

Remove the stripper shields from the frame.

<https://www.ebooklibonline.com>

Hello dear friend!

Thank you very much for reading.

Enter the link into your browser.

The full manual is available for immediate download.

<https://www.ebooklibonline.com>