

SAFETY

SAFETY DECALS AND THEIR LOCATIONS

(1) Fan warning label
(Code No. 4265910M1)



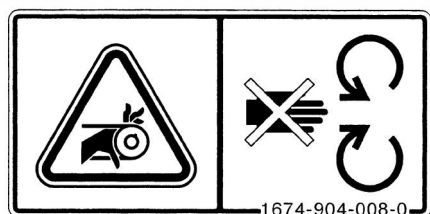
WARNING: RISK OF ENTANGLEMENT
Stay clear of the fan while it is running.

(2) Battery disconnecting label
(Code No.4265878M1)



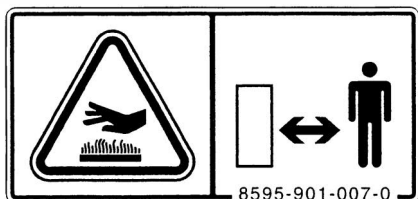
WARNING: RISK OF ELECTRIC SHOCK
When disconnecting the battery, detach the negative terminal first and attach the positive terminal first when connecting the battery.

(3) Belt warning label
(Code No.4265909M1)



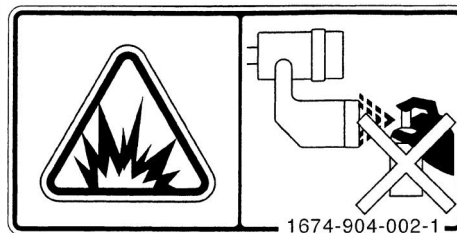
WARNING: RISK OF ENTANGLEMENT
Stay clear of the belt while it is running.

(4) Hot part warning label
(Code No.3606840M1)



WARNING: HOT SURFACES, RISK OF BURNS ON HANDS AND FINGERS
Stay clear of the heated parts until they cool down sufficiently.

(5) Ether label
(Code No.4265903M1)



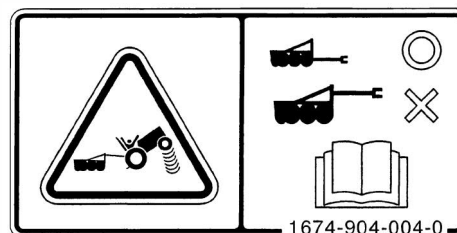
WARNING: RISK OF EXPLOSION
Ether or other starting fluid should never be used to start engines equipped with glow plugs.

(6) PTO label
(Code No.3606939M1)



WARNING: RISK OF ENTANGLEMENT
Stay clear of the PTO shaft while the engine is running.

(7) Trailer label
(Code No.4265905M1)



WARNING: RISK OF OVERHEATING
The rear implement should be installed on the tractor with an approved drawbar or by using the lower links of the three point hitch. Use only weight not exceeding the designed capability of the tractor.

MF1533,1540,1547

(8) Radiator label
(Code No.4265904M1)



WARNING: HIGH PRESSURE STEAM AND HOT WATER

Never remove the radiator cap during or just after operation. The water in the radiator is very hot and highly pressurized, which could cause burns.

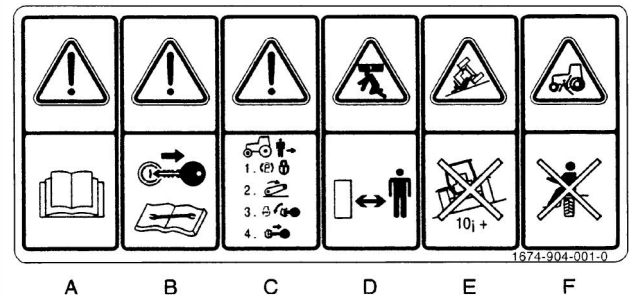
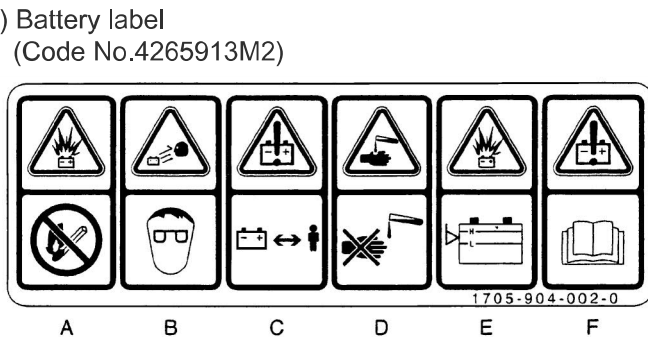
Take care of handling the battery.
Improper handling may lead to explosion.
Never short the poles.
Charge the battery in a well ventilated place.

(10) Starter warning label
(Code No.4265911M1)



DANGER: RISK OF ELECTRIC SHOCK
Start the engine only from the seat using the key.

(11) Operation caution label
(Code No.4265902M1)



A. WARNING: RISK OF EXPLOSION
Keep away from sparks or flames, which could cause explosion.

B. WARNING: WEAR AN EYE PROTECTION DEVICE
Battery electrolyte (euphoric acid) may cause blindness. Wear an eye protector to prevent contact with the eyes.

C. WARNING: KEEP OUT OF REACH OF CHILDREN

D. WARNING: RISK OF BURNS
Battery electrolyte (sulphuric acid) may cause burns. Avoid contact with skin or clothing. In case of an accident, flush affected part immediately with plenty of water.

E. WARNING: RISK OF EXPLOSION
Never use the battery with the electrolyte surface below the "LOWER" limit, or it may explode. Never replenish exceeding "UPPER" limit or electrolyte may leak out.

Maintenance free battery does not need to replenish distill water.

D. WARNING: READ OPERATION MANUAL
Read the safety and operating instructions in the operation manual before operating the tractor.

A. WARNING: BEFORE OPERATION
Read the safety and operating instructions in the operation manual before operating the tractor.

B. WARNING: BEFORE OPERATION
Read the safety and operating instructions in the operation manual before operating the tractor.

C. WARNING: RISK OF ABRUPT MOVING
Before leaving the tractor unattached, apply the parking brake, lower the implement, turn off the engine and remove the starter key to avoid unexpected moving of the tractor.

D. WARNING: RISK OF INJURY OR DAMAGE
Pay attention to safety around the machine to avoid injury to bystanders or damage to properly.

E. WARNING: RISK OF OVERTURNING
Never operate the tractor on a slope of over 10 degrees, or it could overturn.

F. WARNING: RISK OF INJURY OR DAMAGE
Never allow other persons to get on the tractor or the implement.

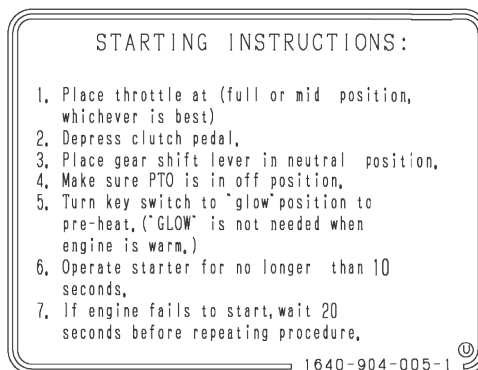
(12) Fuel label
(Code No.4265912M1)



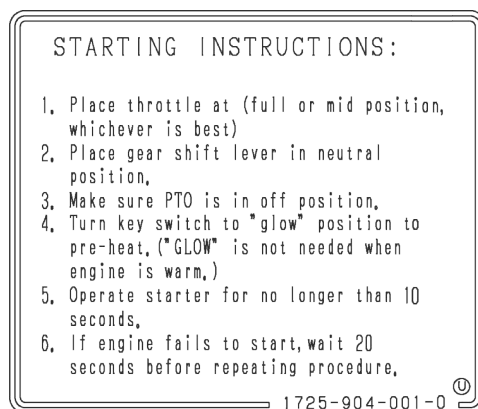
DANGER: RISK OF EXPLOSION AND BURNS

Use only diesel fuel.
Before replenishing fuel, be sure to stop the engine and wait until the engine and heated parts cool down sufficiently. Keep sparks, open flames, etc. away from the fuel tank.
No smoking!

(15) Starting engine caution label
(Code No.3704045M1)
(Except for HST type)

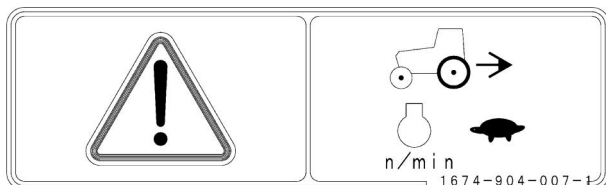


(Code No.4264383M1)
(HST type)



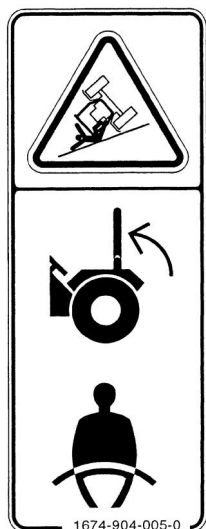
(13) Reverse label
(Code No.4265908M1)

Before moving tractor to reverse direction, be sure to



reduce engine speed.

(14) ROPS label
(Code No.4265906M1)



WARNING: RISK OF INJURY

Keep the ROPS in the upright position and fasten the seat belt at all times. Do not jump from the seat if the tractor starts to overturn, or you could be crushed under the tractor. The ROPS should usually be kept in the upright position during operation.
However, when the ROPS has to be lowered, do not wear the seat belt and operate the tractor with extreme caution.
Do not operate the tractor with a damaged or modified ROPS.

WARNING: RISK OF INJURY

"Before starting engine, be make sure to set throttle lever in full or mid position.
Depress clutch pedal(except for HST type) and set shuttle and shift lever and PTO lever(switch) in neutral position.
When engine is cold, turn key switch to glow position to pre-heat.
Operate starter within 10 seconds.
If engine does not start, repeat above procedure after 20 seconds."

<https://www.ebooklibonline.com>

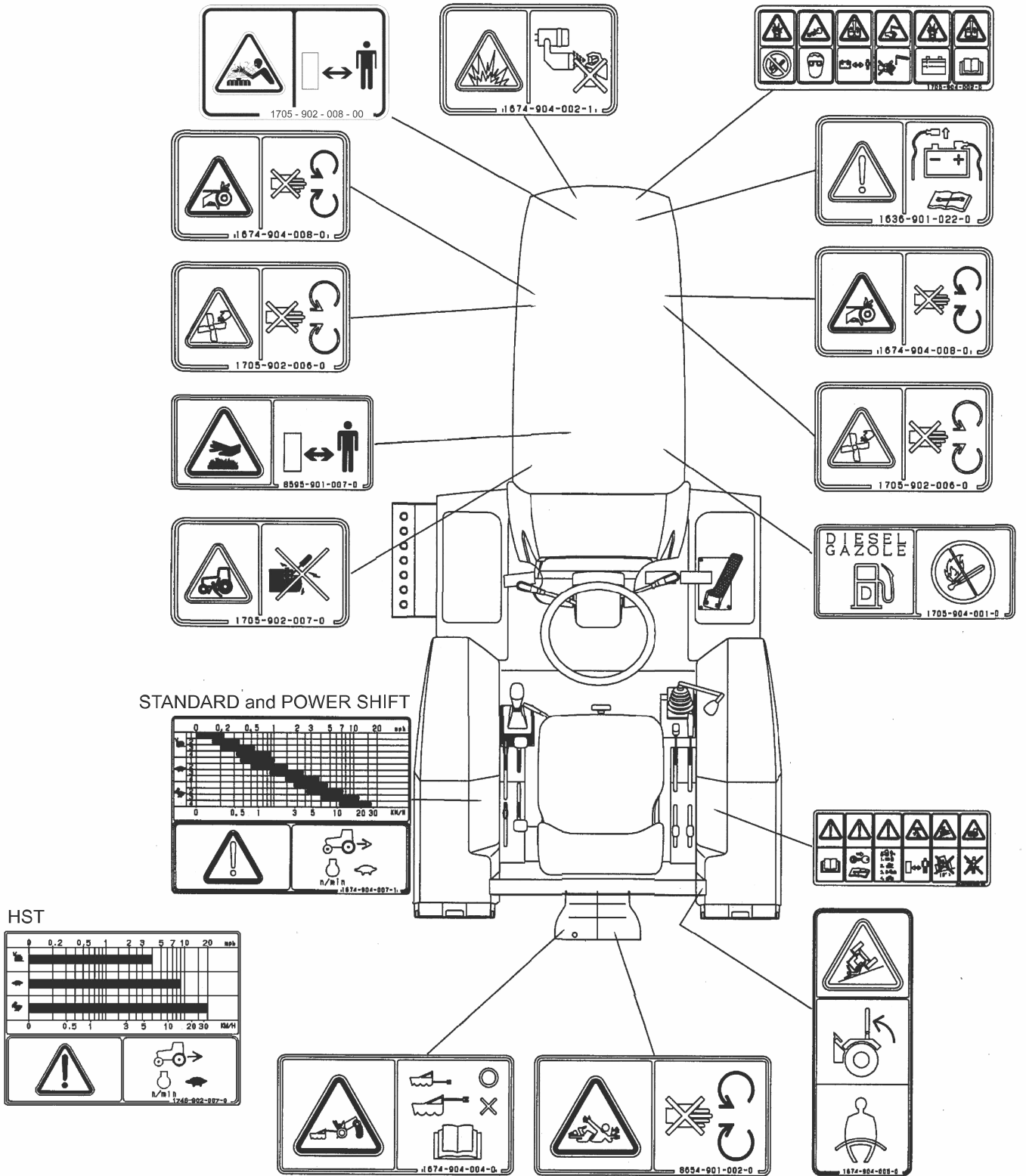
Hello dear friend!

Thank you very much for reading.

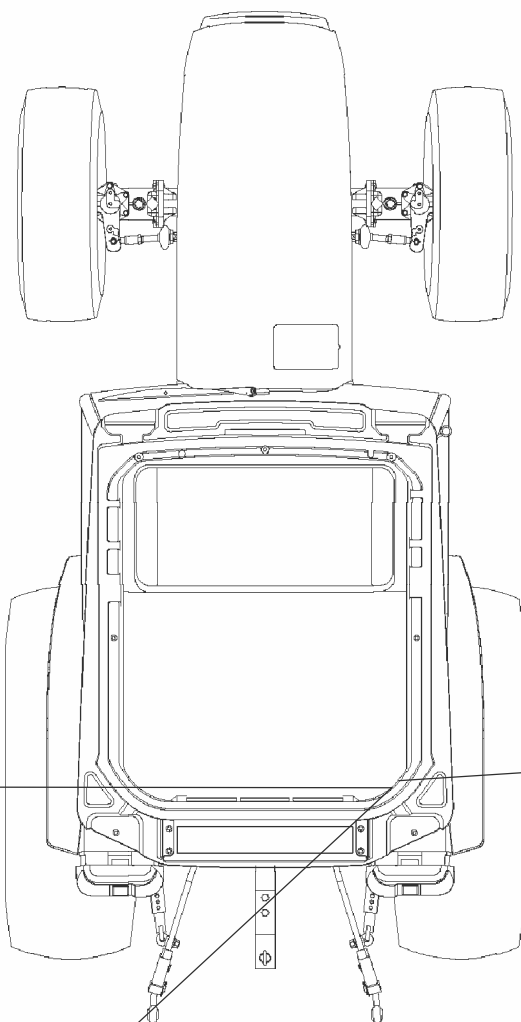
Enter the link into your browser.

The full manual is available for immediate download.

<https://www.ebooklibonline.com>



(ONLY CABIN TYPE)



(Except for HST type)

STARTING INSTRUCTIONS:

1. Place throttle at (full or mid position, whichever is best)
2. Depress clutch pedal.
3. Place gear shift lever in neutral position.
4. Make sure PTO is in off position.
5. Turn key switch to "glow" position to pre-heat. ("GLOW" is not needed when engine is warm.)
6. Operate starter for no longer than 10 seconds.
7. If engine fails to start, wait 20 seconds before repeating procedure.

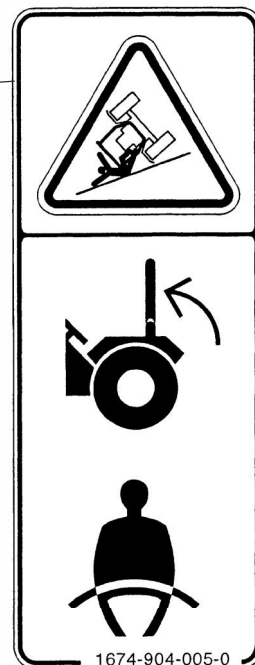
1640-904-005-1

(HST type)

STARTING INSTRUCTIONS:

1. Place throttle at (full or mid position, whichever is best)
2. Place gear shift lever in neutral position.
3. Make sure PTO is in off position.
4. Turn key switch to "glow" position to pre-heat. ("GLOW" is not needed when engine is warm.)
5. Operate starter for no longer than 10 seconds.
6. If engine fails to start, wait 20 seconds before repeating procedure.

1725-904-001-0



Location of all instruction decals provided as a reference. Replace any decals that are damaged, missing or are not readable. Consult your dealer.

INTRODUCTION

The information in this publication describes the operation, maintenance and servicing of the MF1533, 1540, 1547 Tractors. Every effort has been made to provide correct and concise information to you, the operator, as available at date of book publication. Your MF Dealer is available should items in this book or details of your machine not be understood.

This book is supplied with each machine to familiarize the operator with proper instructions needed for operation and maintenance. Studying and adhering to these instructions will insure optimum machine performance and longevity. A machine that is maintained properly and operated in the intended manner will provide greater dividends than one that is neglected and/or operated in manner other than as intended. Design and servicing of this machine has been kept as simple as possible to permit maintenance operations to be carried out with tools normally available.

This book should be thoroughly read and understood prior to operation of this machine. Inexperienced operators should study contents of this publication and receive instruction from an experienced operator when possible. Your MF Dealer can also assist in areas concerning machine operation and provide details concerning safe operation. It is suggested that this booklet be kept readily accessible, preferably with the machine, for future reference if questions or concerns arise. If the original book should become damaged, consult your Dealer in regards to acquiring a replacement.

Customers are strongly advised to use an official MF Dealer in connection with any service problems and adjustments that may occur. The MF Dealer network is specially trained and equipped for all service work and to advise customers on specific applications of the Tractor in local conditions.



CAUTION: In some of the illustrations used in this Operator Instruction Book, panels or guards may have been removed for clarity. Never operate the Tractor with these panels and guards removed. If the removal of a shield is necessary to make a repair, it MUST be replaced before operation.

**CAUTION: READ THIS BOOK IN ITS ENTIRETY PRIOR TO OPERATING MACHINE.
Use only MF parts for repairs and/or replacement.**

TRACTOR IDENTIFICATION

MODEL/SERIAL NUMBER

Each Tractor is identified by means of Tractor model and serial numbers. As a further identification, engine and chassis are provided with identification numbers.

To ensure prompt, efficient service when ordering parts or requesting repairs from authorized Dealer, record these numbers in spaces provided.

TRACTOR MODEL/TYPE

--	--

TRACTOR SERIAL NUMBER

--

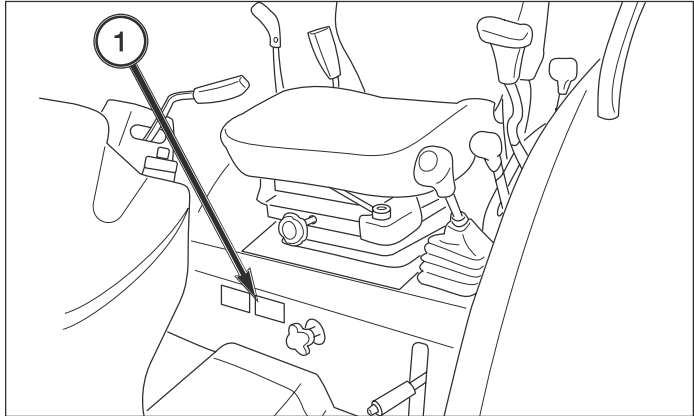


FIG. 3-1

FIGS. 3-1 & 3-2: Tractor identification plate, 1, located below operator's seat on right-hand side of fender. Contains model number in addition to Tractor serial number.



FIG. 3-2

MF1533,1540,1547

ENGINE MODEL NUMBER

ENGINE SERIAL NUMBER

FIG. 3-3: Engine model number, 1, is cast on right side of engine block, below the injection pump.

Engine serial number, 2, is stamped into cylinder block, below engine model number.

CHASSIS NUMBER

FIG. 3-4: Chassis number, 1, is stamped in right side of front frame.

NOTE: Reference to left-hand and right-hand, used throughout this book, refers to the position when seated in operator's seat and facing forward

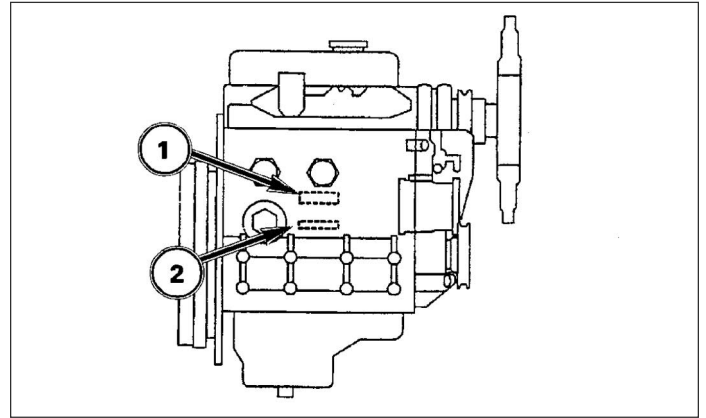


FIG. 3-3

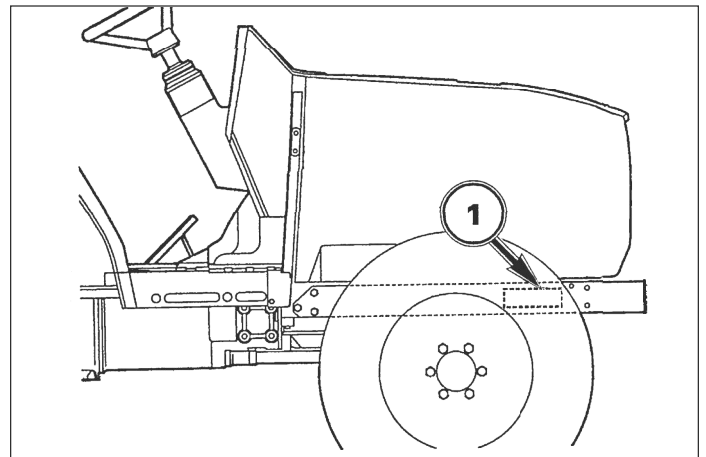


FIG. 3-4

MAJOR COMPONENTS

ROPS type

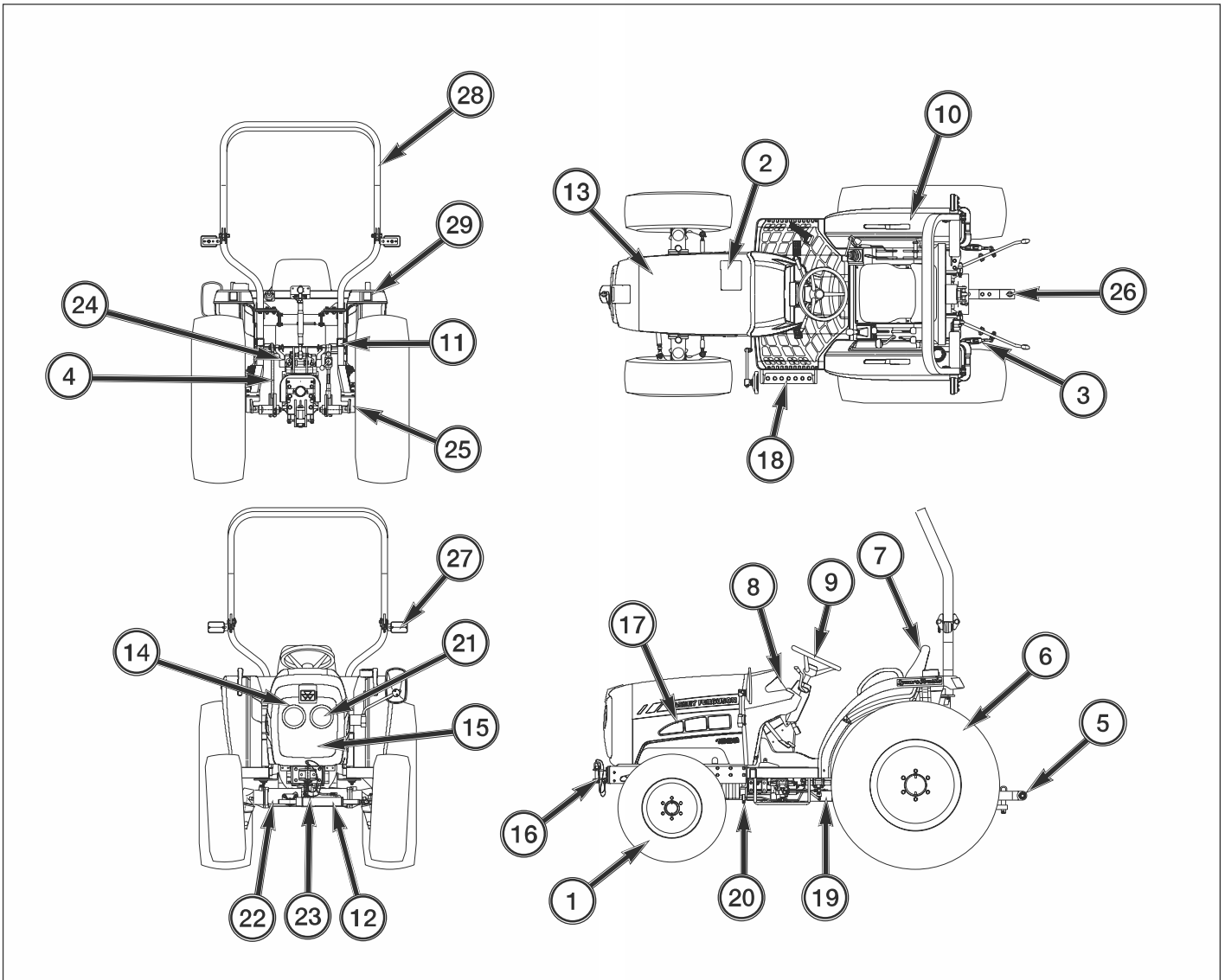


FIG. 3-5

FIG. 3-5: Identification and terminology of major components, as given in this book, are as follows:

- | | |
|-----------------------|---|
| 1. Front Wheels | 16. Front Hitch |
| 2. Fuel Tank Filler | 17. Engine |
| 3. Check Chain | 18. Foot Step |
| 4. Lift Rod | 19. Transmission |
| 5. Lower Link | 20. Front Wheel-Drive Shaft |
| 6. Rear Wheels | 21. Headlight |
| 7. Operator's Seat | 22. Front Axle |
| 8. Instrument Panel | 23. Front Axle Pivot |
| 9. Steering Wheel | 24. Lift Arm |
| 10. Fender | 25. Rear Axle |
| 11. Reflector | 26. Drawbar |
| 12. Steering Cylinder | 27. Turn/Hazard Position Light |
| 13. Hood | 28. Roll-Over Protective Structure (ROPS) |
| 14. Front Grille | 29. Turn/Reflector/Tail Light |
| 15. Battery | |



Suggest:

For more complete manuals. Please go to the home page.

<https://www.ebooklibonline.com>

If the above button click is invalid. Please download this document first, and then click the above link to download the complete manual.

Thank you so much for reading

CABIN type

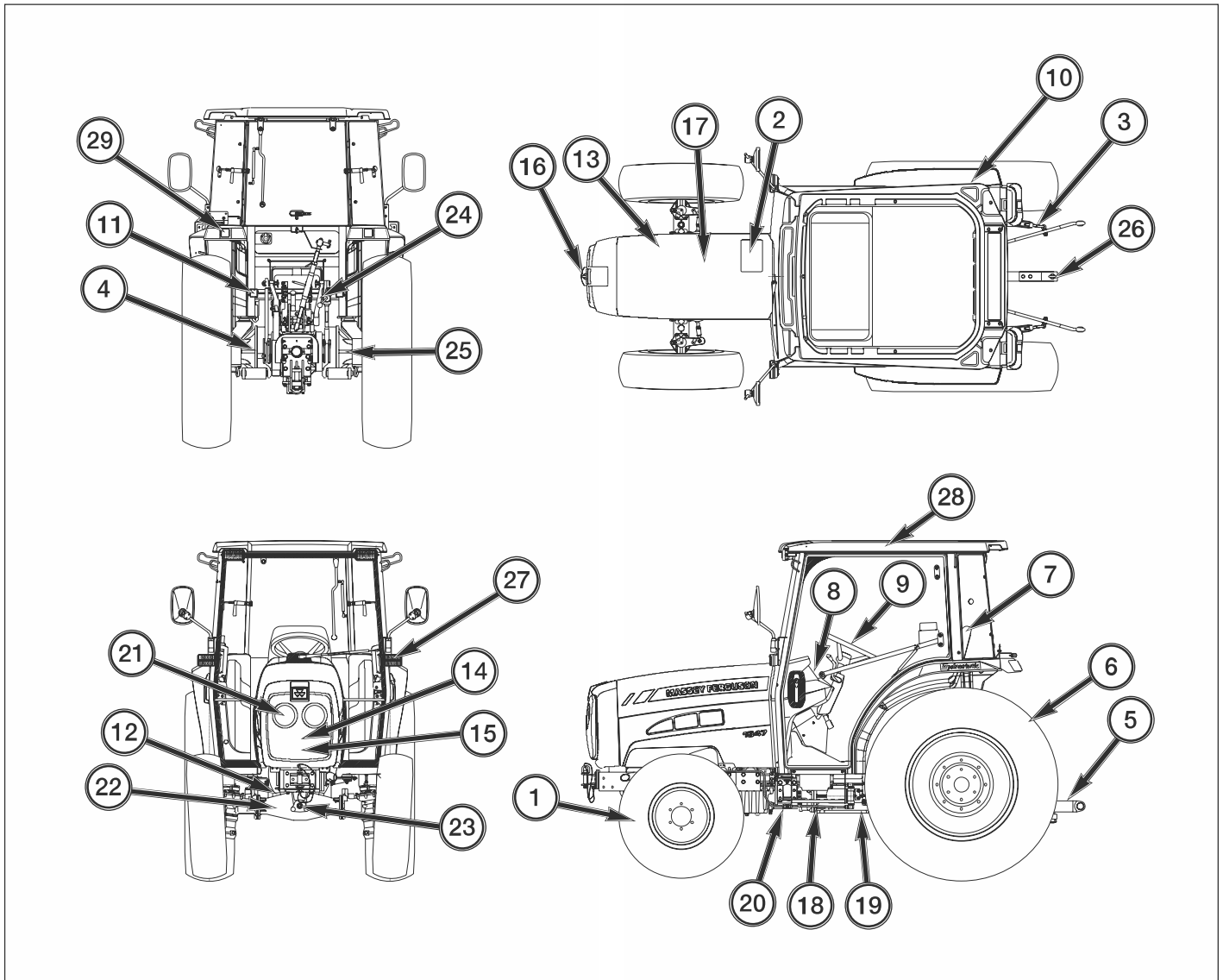


FIG. 3-6

FIG. 3-6: Identification and terminology of major components, as given in this book, are as follows:

- | | |
|-----------------------|--------------------------------|
| 1. Front Wheels | 16. Front Hitch |
| 2. Fuel Tank Filler | 17. Engine |
| 3. Check Chain | 18. Foot Step |
| 4. Lift Rod | 19. Transmission |
| 5. Lower Link | 20. Front Wheel-Drive Shaft |
| 6. Rear Wheels | 21. Headlight |
| 7. Operator's Seat | 22. Front Axle |
| 8. Instrument Panel | 23. Front Axle Pivot |
| 9. Steering Wheel | 24. Lift Arm |
| 10. Fender | 25. Rear Axle |
| 11. Reflector | 26. Drawbar |
| 12. Steering Cylinder | 27. Turn/Hazard position Light |
| 13. Hood | 28. Cabin |
| 14. Front Grille | 29. Turn/Reflector/Tail Light |
| 15. Battery | |

**INSTRUMENTS & CONTROLS
- STANDARD & HST TYPE -**

Standard type

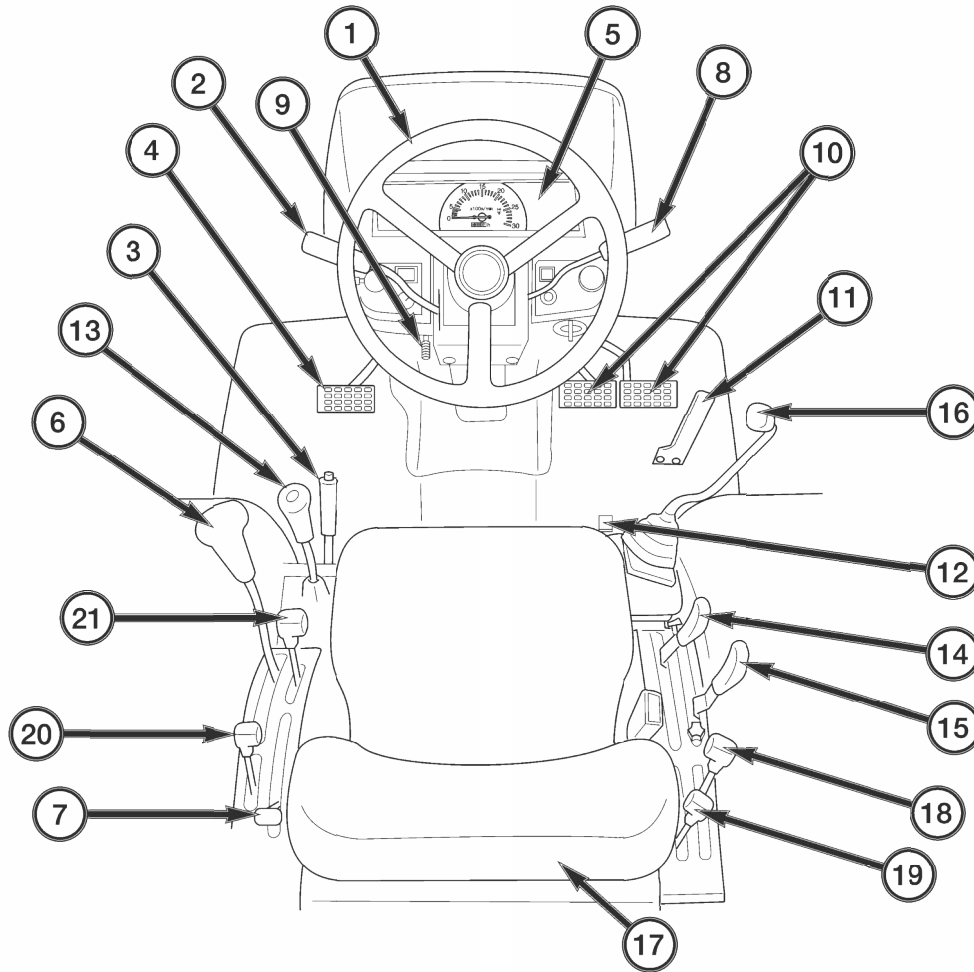


FIG. 4-1a

FIG. 4-1a: General layout and location of controls within operator's area on Tractor. Specific use of these controls is given later in this section and also in "Operation" section of this book:

- | | |
|--|--|
| 1. Steering Wheel | 11. Foot Throttle Pedal |
| 2. Forward / Reverse Lever | 12. Differential Lock Pedal |
| 3. Parking Brake Lever | 13. Gear Shift Lever |
| 4. Clutch Pedal | 14. Three Point Hitch Draft Control Lever (accessory) |
| 5. Instrument Panel | 15. Three Point Hitch Position Control Lever |
| 6. Range Shift Lever | 16. Joystick Control Lever(accessory) |
| 7. Rear Power Take-Off (PTO) Selector Lever | 17. Operator's Seat |
| 8. Hand Throttle Lever | 18. External Auxiliary Hydraulics Lever (accessory) |
| 9. Steering Column Tilt Pedal | 19. External Auxiliary Hydraulics Lever (accessory) |
| 10. Brake Pedals | 20. Mid Power Take-OFF (PTO) Selector Lever (accessory) |
| | 21. Four wheel Drive (4-WD) Shift lever |



CAUTION: Become familiar with all operating controls prior to operating Tractor. Read this book in its entirety before starting.

<https://www.ebooklibonline.com>

Hello dear friend!

Thank you very much for reading.

Enter the link into your browser.

The full manual is available for immediate download.

<https://www.ebooklibonline.com>