

### Tractor models for practical use:

**MF 425, MF 435, MF 440, MF 445, MF 455 e  
MF 435 C**

### Versions with platforms (Fig. 1) with cab (Fig. 2) and compacts (Fig.3).

CONGRATULATIONS!

You have just acquired a tractor that is modern, strong, reliable and unique.

The 400Xtra Series tractors are the result of research, improvements and a large experience in industrial and agricultural equipment manufacturing.

These tractors were designed to be operated in many different working conditions, displaying an excellent performance, low fuel consumption and operational comfort.

Please read this Manual carefully before operating the tractor for the first time and also before performing any maintenance in the equipment. So you will be ensuring the best performance and long working life of your tractor.

At the Technical Delivery, please make sure the Dealer provides you with all the necessary information. Besides having the Genuine Replacement Parts, appropriate tools and factory trained personnel, only an Authorized Dealer can provide you with reliable Technical Services.



Fig. 1



Fig. 2



Fig. 3

Published by AGCO do Brasil.  
Canoas - Rio Grande do Sul - Brazil  
Publishing Code: **6280530M2**  
Edition: **04/12**  
AGCO do Brasil

This publication was prepared according to the international standard ISO3600 concerning information, content and layout of operator manuals supplied with tractors and agricultural and forestry machines.

# Operation Manual - MF 400Xtra

---

## Dear Owner

- 1 - Keep this Manual in pristine conditions and present it to the technician at the Dealer in order to note the Free Warranty Maintenance date.
- 2 - Carefully read Chapter 1 for Safety procedures.
- 3 - The Warranty will only be valid if the tractor's Delivery Certificate is properly registered with the AGCO do Brasil Services and Warranty Department.

Therefore, make sure your Dealer fills in the Delivery Certificate of your tractor.

- 4 - Tractor's Technical Delivery  
Will be performed by a professional at your Dealer.

See the booklet attached to this Manual, where you can find general and important information as needed.

- ✓ Service Instructions.
- ✓ Delivery Instructions.
- ✓ Delivery Certificate.

- 5 - Changes in the tractors

Due to its policy of constant product improvement, AGCO do Brasil reserves the right to introduce changes and improvements to its products, without incurring in any liability or obligation for previously manufactured products.

In the same way, the content of this Manual is updated until the date of printing and may be changed without previous notice.

- 6 - Many illustrations in this Manual are shown with covers, protections and components removed for a better comprehension. Nonetheless, never operate the tractor with these parts removed.
- 7 - Some pictures may contain different details in relation to the ones displayed in your tractor, since they have been taken from prototype tractors or tractors configured with accessories not present in your tractor.

- 8 - Massey Ferguson Original Parts

The use of parts other than MF original parts may result in the reduced performance of your tractor and may also affect some other components.

AGCO do Brasil will not be liable for any responsibility derived from the usage of non-original parts. In case such non-original parts are used during the Terms of the Warranty, the tractor's Warranty will be voided.

- 9 - Due to the great number of variables in the working conditions, it is not possible for AGCO to contemplate all the detailed or definitive instructions about the performance or usage methods of its machines in its Publications, neither be responsible for any eventual losses or damages arising from such statements or any misstatements or omissions.

If the tractor is operated under abnormal conditions - as working in deep water - consult your Massey Ferguson Dealer for special instructions. Otherwise, the Warranty will be voided.

These tractors are designed for usage only in regular agricultural operations (designed usage). Any use other than the aforementioned will not be the responsibility of AGCO do Brasil: being exclusively the user's responsibility.

- 10 - The accomplishment and the observance of the usage conditions, maintenance and servicing as stipulated by AGCO do Brasil are the fundamental basis for the "designed usage".
- 11- AGCO insists these tractors are operated, maintained and repaired only by personnel familiarized with their respective characteristic and safety rules.

Thereby it is strongly recommended that the Customer contacts the nearest Dealer should any problems or questions regarding the equipment's maintenance or adjustments arise.

**Table of Contents**

<b>Safety Guidelines</b>	<b>1</b>
<b>Identification and safety decals</b>	<b>2</b>
<b>Instruments and commands</b>	<b>3</b>
<b>Preparation</b>	<b>4</b>
<b>Operation</b>	<b>5</b>
<b>Maintenance</b>	<b>6</b>
<b>Specifications</b>	<b>7</b>
<b>Accessories</b>	<b>8</b>

**<https://www.ebooklibonline.com>**

Hello dear friend!

Thank you very much for reading.

Enter the link into your browser.

The full manual is available for immediate download.

**<https://www.ebooklibonline.com>**

Page left blank on purpose.



## Table of Contents

1 - Introduction .....	3
2 - General Recommendations .....	4
3 - The Tractor .....	4
4 - Symbols and Safety Terms .....	4
5 - Notes to the operator .....	5
6 - Follow a safety program .....	5
6.1 - For a proper operation .....	5
7 - Protective Structure Against Overturn (PSAO) .....	6
8 - Preparing for a safety operation .....	7
8.1 - Know your equipment .....	7
8.2 - Protect yourself .....	7
8.3 - Use the safety and protection devices available .....	8
8.4 - Check the equipment .....	8
8.5 - Tractor cleaning .....	9
8.6 - Protect the environment .....	9
9 - Tractor maintenance .....	10
10 - Start .....	10
10.1 - Alert before the start .....	10
10.2 - How to get on and get off the machine safely .....	10
10.3 - Safe start .....	10
10.4 - Follow the recommended starting procedures .....	11
10.5 - Test the controls .....	11
10.6 - Start fluid .....	11
11 - Safe operation .....	12
11.1 - Do the correct movements .....	12
11.2 - Safety practices .....	12
11.3 - Overturn risk .....	13
11.4 - To avoid rear overturn .....	14
11.5 - To avoid lateral overturn .....	14
11.6 - Generic risks during the operation .....	15
11.7 - Points about ergonomic behavior .....	16
12 - Additional implements and equipment .....	17
12.1 - Towing equipment .....	18
13 - Transportation on roads .....	18
13.1 - Road rules .....	19
14 - Safety after operation .....	19
15 - Fuel .....	20
15.1 - Storage, handling and cleaning .....	20
15.2 - Specifications .....	21
16 - Parts and lubricants storage .....	22
17 - Quality, Environmental, Safety and Occupational Health Policy .....	22
17.1 - Main guidelines .....	22
17.2 - ISO 14000 .....	23
17.3 - Environmental Management System .....	23
17.4 - Environmental Issues .....	23
17.5 - Recommendations for owners and users of MF tractors .....	24
17.6 - CONAMA Resolution .....	25
17.7 - Risks of getting in contact with the acid solution and with Lead .....	25

# 1. Safety Guidelines

---



## 1 - Introduction

The purpose of this manual is to enable the owner and driver to drive the tractor safely and properly. If the instructions are carefully observed, the tractor will be in operation for many years, following Massey Ferguson's tradition. The configuration and the tractor setup at the Dealer will ensure that these operational and service instructions are correctly understood.

Always contact a Dealer if any part of this Manual is not fully understood. It is essential that these instructions are fully understood and observed.

The daily maintenance must become a routine. Always keep a record of the equipment's service hours.

When requesting new parts, use only MF original parts. The MF Dealers network supplies original parts and can provide you installation and use advice. The use of low quality parts can cause severe damages to your equipment.

It is recommended to the customers to purchase service parts only at authorized MF Dealers.

Due to the variation on the operational conditions, it is impossible for the manufacturer to make a comprehensive or a definitive statement on its publications relating to the performance or ways of use of its equipments, nor be responsible for any damage or losses resulting from such statements, or inaccuracy or omission.

To avoid the possibility of voiding the warranty, consult your MF Dealer about special instructions, if the tractor is to be operated in special conditions, which can be harmful for the equipment (operation in deep waters or swamps, for example). These tractors were designed to be used in agricultural applications only (proper use). Any other use will be considered as irregular.

AGCO will not be liable for personal injuries or damages to the equipment resulting from misuse. It will be totally the user's responsibility the consequences for all misuse of the equipment.

The unrestricted commitment and adherence to the operation, services and maintenance requirements, as per specified by AGCO, are considered essential factors for the proper use.

These tractors must be operated and serviced only by qualified personnel, familiarized with the tractor's characteristics and also with the safety rules and regulations (accident prevention).

It is recommended that the customers contact an MF Dealer in case of any after sale problem and for any setup which may be required.

# 1. Safety Guidelines

## 1

### 2 - General Recommendations

Why is safety so important?

- 1 - Accidents can lead to disabling personal injuries or death.
- 2 - Accidents usually impose onerous costs.
- 3 - Accidents can be avoided.

This Manual describes safety procedures and recommendations related to the tractor, however it does not specify the details about the care with the accessory coupled and/or actuated by the tractor. Therefore, see the Manual of the accessory used.

This section of the Manual aims to point out some basic safety situations related to your tractor, as well as some suggestions about how to avoid risk and accident situations.

Therefore, the user must be provided with all necessary means and orientation available. For each accessory and working situation, there is always a number of care that must be taken, which would be impossible to list all of them in this Manual.

It is impossible for AGCO do Brasil to make a direct control over all use situations, maintenance or service to which the tractor is submitted to. Therefore, it is the user's responsibility to observe the proper practices aiming his/her safety and the tractor integrity, and also the safety of other people or equipment at the same working area.

### 3 - The Tractor

The tractor is a source of mechanic and hydraulic power.

- The tractor alone has little practical value. Only when used along with an implement or other accessory, it becomes a work unit.
- This Manual has been compiled to cover the safety practices when the tractor is operating under normal conditions.
- This manual does not address the operation instructions relevant to all implements and accessories known that can be installed at the tractor delivery or any other date.
- It is essential that the operators read and understand the manuals of the relevant implements and accessories.

### 4 - Symbols and Safety Terms

The following symbol means: CAUTION! BECOME ALERT! YOU MAY BE IN DANGER!



The symbol for safety alert identifies important safety messages in machines, safety boards, manuals, etc. When you see this symbol, be aware for potential injuries or death. Follow the instructions in the safety message.

Whenever you see one of the words and symbols below, used in this Operator's Manual and decals, you must pay careful attention to the instructions, once they are directly connected to your personal safety.



**DANGER:**

*It indicates an immediate hazardous situation which, if not avoided, will result in DEATH OR SERIOUS INJURY.*



**ATTENTION!**

*It indicates a potential immediate hazardous situation which, if not avoided, will result in DEATH OR SERIOUS INJURY.*



**CAUTION:**

*It indicates a potential hazardous situation which, if not avoided, may result in minor or moderate injury.*

The following words and instructions are not directly related to personal safety, but they are used by this manual bringing you additional tips about operation and service of this equipment.



**IMPORTANT:**

*It identifies special instructions or procedure which, if not carefully observed, can result in damages or destruction to the equipment, the operational process or even to objects nearby.*



**NOTE:**

*It indicates additional information about some subject or procedure that will make the operation or repair more convenient or efficient.*

## 5 - Notes to the operator

It is your responsibility to read and understand the Safety Section in this Manual, before using the equipment. You must follow the safety instructions which will guide you step by step during your working journey.

Remember that you are an essential part to make the operation of the machine safe. Good safety practices not only protect you, but also the people near you. Carefully read the safety instructions herein and include them in your safety program.

Remember that this Safety Section was specially designed for this equipment. Follow all usual and habitual safety precautions and, above of all else, **REMEMBER THAT YOUR SAFETY DEPENDS ONLY OF YOU. YOU CAN PREVENT SERIOUS INJURY OR DEATH.**

## 6 - Follow a safety program

### 6.1 - For proper a operation

For a proper operation of the tractor, it must be operated by qualified and authorized staff. In order to be qualified, you must understand the instructions provided in this Manual, receive proper training and know the safety standards and rules related to your work. For example, some traffic regulations determine that people under 16 years of age are not allowed to operate agricultural machines. In other locations, the law determines that only 18-year-olds or older are permitted. The tractors are part of this category. It is your responsibility to know such rules and obey them.

These regulations include, but they are not limited to the following instructions for a safe operation:



#### **ATTENTION!**

*The operator must not drink alcoholic drinks or substances that may affect his consciousness or coordination. If the operator is taking prescription drugs or over the counter drugs, he must see a doctor in order to check if his ability to operate the machine may be impaired by such drug.*



#### **CAUTION:**

*If any implement or kit used has a proper manual, identify if there is other important safety information.*

Observe the following instructions:

- DO NOT allow children or people non qualified for the job operate the tractor. Keep people away from the work area.
- Always use the safety belt.
- Whenever possible, avoid operating the tractor near ditches, barriers or holes. Reduce the speed in curves, when going up or down hills or on rough, slippery or muddy surfaces.
- Avoid very steep hills.
- Pay careful attention to where you are going to, mainly at the end of aisles, roads or when operating near trees.
- The instructional seat is only intended for short periods of use.
- DO NOT allow children on the instructor's seat.
- DO NOT give ride to anyone on the machine or implement, unless there is a proper instructor's seat.
- The implement must only be coupled to the steering rod or to the coupling points recommended and never above the central line of the rear shaft.
- Operate the tractor slowly and carefully - with no maneuvers, sudden starts or sudden breaking. When the tractor is stopped, apply the parking break. Lower the implement and take the starting key from the ignition.
- DO NOT change or remove any part from the equipment and DO NOT use accessories that are not suitable for the tractor.

## 1. Safety Guidelines

# 1

### 7 - Protective Structure Against Overturn (PSAO)

The tractor has been mounted with a PSAO (Fig. 3) or cab and a safety belt. PSAO is effective to reduce potential harms or injuries during the overturn if the safety belt is being used correctly. Do not operate the tractor with the PSAO removed.

Before using the tractor, make sure that the PSAO or cab are not damaged, and that they are safely fixed to the tractor and, if the portable type is installed, make sure it is in the extended position and safely locked.

If for any reason, the PSAO has been folded, it must return to the extended position as soon as the conditions allow.

Do not mount additional components to the PSAO or cab, such as chains, ropes or cables with the purpose of pulling something, because it may cause displacement or damages to the PSAO.

Always use the safety belt, adjusting it properly (Fig. 5), except when operating the PSAO retracted. Check the safety belt for damages regularly. Damaged safety belt must be replaced.

The PSAO or cab must be inspected for damages regularly. Any damaged component must be replaced before the tractor is operated. If the PSAO is damaged during an overturn or damaged by the impact from any object that provokes deformation, it must be replaced. Do not try to repair a damaged PSAO.

NEVER weld or puncture the PSAO or the cab structure, for any reason, because it may lead to failures and reduction on the protection for the structure.

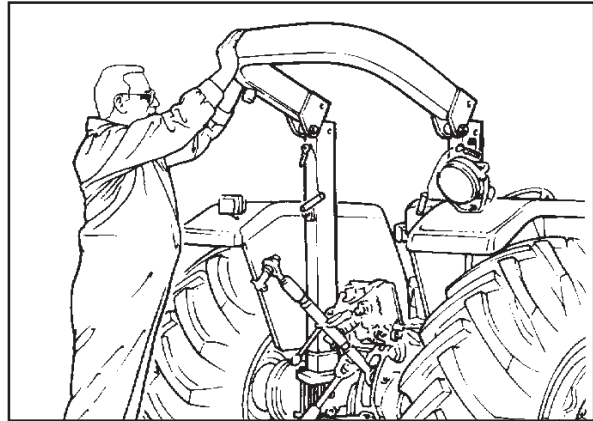


Fig. 1



Fig. 2

## 8 - Preparing for a safe operation

### 8.1 - Know your equipment

Know your tractor, know how to operate every equipment of your machine and the implements and accessories it uses. Know all functions of all controls, gauges, instruments and commands. Know the rated load capacity, the speed range, the breaking capacity and the steering characteristics of the machine, besides the turning radius and operations clearances.

Remember that rain, snow, gravel, soft soil, etc. may affect the tractor operation.

Under bad operation conditions, drive it slower and be more careful. Engage the front drive, if equipped. Study the safety decals for DANGER, WARNING, PRECAUTION or CAUTION located on the tractor, in addition to the information decal.

**READ THIS MANUAL BEFORE STARTING THE ENGINE. STUDY IT BEFORE YOU START WORKING (Fig. 6). IF YOU DO NOT UNDERSTAND ANY INFORMATION IN THIS MANUAL, ASK SOMEBODY TO EXPLAIN IT TO YOU.**

This Manual covers all general safety practices for agricultural tractors. It must always be kept in the tractor. If additional copies of this Manual are required, contact your MF Dealer.



Fig. 3

### 8.2 - Protect yourself

Use equipments and protective clothing appropriate for your work (Pict. 4). Do not take risks.

You will need:

- A protective helmet.
- Protective goggles or masks.
- Ear protection.
- Respirator or filter mask.
- Special clothing for cold weather.
- Reflective clothing.
- Heavy gloves (neoprene for chemicals or leather for heavy duty).
- Boots.

**DO NOT** wear loose clothing, jewelry, or any other item that might get caught in the controls or other parts in the tractor. Also, tie your hair if it is long.

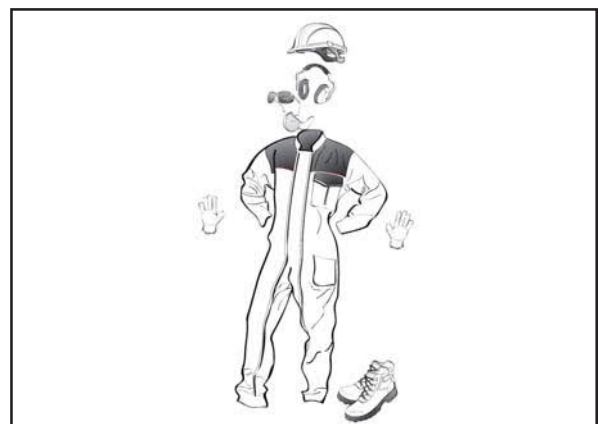


Fig. 4

# 1. Safety Guidelines

1

Note the location of fire extinguishers and first aid kits (Fig. 5) and be aware of where to find assistance in case of an emergency. Know your equipment well and know how to use it.

## 8.3 - Use the safety and protection devices available

Keep all the protection devices in the position and properly attached. Make sure that all protections and covers are properly installed, as specified, and in good conditions.

In order to keep you and other people safe, the tractor must be equipped with:

- Safety belt.
- PTO protection.

According to the type of operation, the tractor may also need:

- Rearview mirror.
- Fire extinguisher.
- Safety triangle, protections, reverse gear alarm, lighting and additional safety decals.

It is very important to know how to use the tractor safety devices. Make sure they are in the position and in good conditions. **DO NOT** remove or disconnect any safety device.

## 8.4 - Check the equipment

Before starting your working day, reserve some time to check your equipment and make sure all systems are in good operational conditions.

- **DO NOT** smoke while refilling the tractor. Keep away from flames (Fig. 6).
- Stop the engine and wait it cools before refilling the tractor.
- Check if there are damaged, cracked, loose or missing parts. Keep all parts in good condition. Make sure all guards, protections and covers are in place.
- Check the safety belt for damages regularly. If the safety belt is damaged, it must be replaced.
- Make sure the implements and accessories are correctly installed and that the tractor PTO speed and implement are correct.
- Check the tires condition and calibration (absence of cuts and bulges). Replace worn or damaged tires. Check if the parking break and pedal are working correctly. Adjust them if necessary.

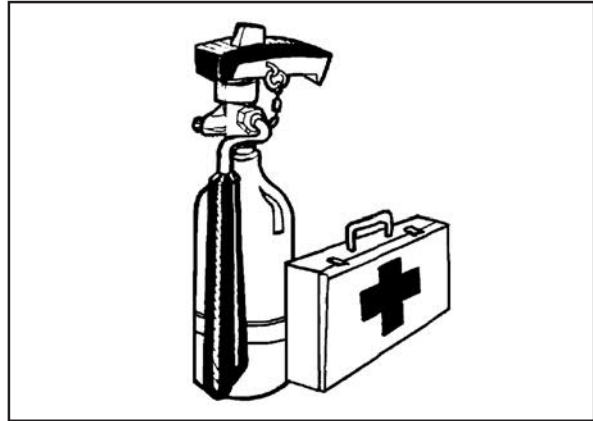


Fig. 5



Fig. 6

- Make sure the safety devices of the PTO shaft are locked.
- Make sure that the PTO protection and the shaft protections are in place and working properly.
- Check the hydraulic system of the implement and tractor. Repair or replace damaged or missing parts.



### ATTENTION!

Pressurized hydraulic fluid or diesel leak can penetrate in your skin and cause severe personal injuries, blindness or even death. Pressurized fluid leaks may not be visible. Use a carton board or wood to find the leaks. **DO NOT** place your hands directly to the equipment. Always wear protective goggles. If the fluid penetrates in your skin, it must be surgically removed within a few hours by a physician familiarized with such procedure (Fig.

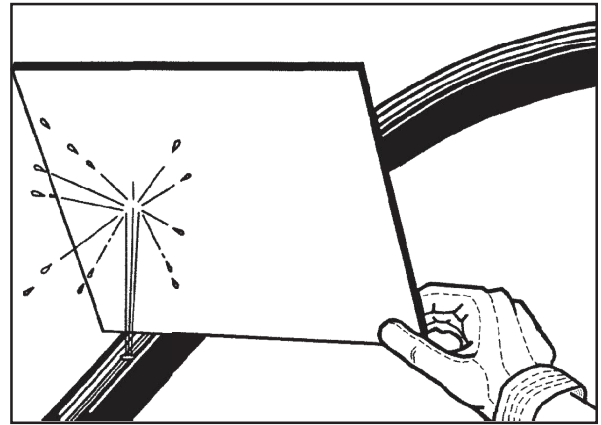


Fig. 7

1

Before applying pressure to the fuel or the hydraulic system, make sure that all connections are well fit and all tubing, pipes and hoses are in good conditions. Before disconnecting the hydraulic or fuel lines, relieve all pressure. Make sure that all hydraulic lines are correctly installed and without bents.



### ATTENTION!

The cooling systems accumulate pressure as the engine warms. Before removing the radiator cap, stop the engine and wait the system cool down.

### 8.5. Tractor cleaning

- Keep the working surfaces and engine compartments clean.
- Before cleaning the machine, always lower the implements to the ground level, set the transmission to neutral, apply the parking brake, stop the engine and remove the starting key from the ignition.
- Clean the steps, the pedals and operator platform. Remove the grease or oil. Clean all dust or mud off. In the winter, remove the snow or ice. Remember: slippery surfaces are dangerous.
- Remove and store the tools, chains or hooks.

### 8.6 - Protect the environment

It is illegal to pollute sewer, brooks or soil. The waste must be sent to authorized places, away from urban or preservation areas. Furthermore, the dirty oil removed from the tractor must be packed in proper containers before being disposed. If you have any questions, see the local authorities.

# 1. Safety Guidelines

## 1

### 9. Tractor maintenance

- DO NOT make any repair or maintenance service with the engine running or still hot, or with the tractor in operation (Fig. 10).
- Before making adjustments or repair the electric system, disconnect the battery cables: first, disconnect the negative (-) cable.
- To prevent fire or explosions, keep flames away from the battery or from the cold start devices. To prevent sparks, which can cause explosions, use jumper cables according to the instructions in this manual.
- When performing repairs or adjustments, it is recommended to contact a Massey Ferguson Dealer so the work can be performed by trained personnel.
- The implement and/or tractor must be placed on wood blocks or proper stands, NEVER on a hydraulic jack.
- Check all nuts and bolts for tightening periodically, mainly the hub wheel nuts and the wheel ring nuts. Fasten them according to the recommended torque.



Fig. 8

### 10 - Start

#### 10.1 - Alert before the start

Before starting the engine, walk around the tractor and the coupled implement. Make sure there is nobody under, on or near the machines. Tell people near the tractor you will start it soon. Do not start the tractor while there are people around the tractor, implements or towed equipment.

Make sure all pedestrians, mainly children, are at a reasonable distance before starting the engine.

#### 10.2 - How to get on and get off the machine safely

Always adopt the “three-point contact” with the machine and keep a frontside position when getting on it. The three-point contact means both hands and one foot or one hand and two feet in contact with the machine, all the time, when getting on or off it. Clean your shoes and wash and dry your hands before getting on the machine. Use the handrail. Hold on the handrails and always use the stairs or steps when getting on or off the machine.

DO NOT use the control levers as a handrail and never step on the pedal controls when getting on or off the machine.

DO NOT try to get on or off when the tractor is running. DO NOT jump off the tractor, unless it is an emergency.

#### 10.3 - Safe start



**IMPORTANT:**

*Before starting the engine, make sure there is enough ventilation. DO NOT start the engine in closed environments. The smoke from the engine may cause suffocation.*

Always start the engine from the operator seat with all transmission levers in neutral and the PTO lever in neutral.

Make sure all the brake pedals are always locked by the locking device, except when in maneuvers in the field which requires the independent use of brakes. Make sure the brakes are properly regulated, so that both brakes are engaged at the same time.

# 1. Safety Guidelines

1

Adjust the seat, put on the safety belt, apply the parking brake and set all controls to neutral before starting.



**WARNING!**

*Start the engine with the starting key and always sitting on the operator seat. NEVER try to start the engine by a direct start.*

*The machine will start engaged if the safety switch circuit is turned. This may cause severe injuries or death if there is someone near the tractor (Fig. 9).*



Fig. 9

## 10.4 - Follow the recommended starting procedures

Follow the start procedures recommended in the Operation Section in this Manual. Such procedures include normal start, cold start and the use of boost fluids.

## 10.5 - Test the controls

After starting the machine, check all meters and lights again. Make sure everything is working properly. If the tractor does not respond correctly when every control is activated, DO NOT use the machine until the problem is solved. Make sure engine start solenoid cover is always in place.

## 10.6 - Start fluid



**ATTENTION!**

*It is very important that you read and follow all the instructions on the ether can before installing the ether base cold start aid in the tractor.*

For tractors equipped with glow plugs or preheating system, these pieces of equipment must be removed before installing an ether start device.

DO NOT use start fluids in aerosol packages in tractors equipped with the reheating system connected to the electrical system. Ether combined with the preheating system may cause explosions, damage the engine, provoke injury to whoever is handling it or both.

Handle the start fluid correctly. The start fluid must only be used when the ether start aid is used as original default equipment or when installed as accessory by the Dealer.



Fig. 10

# 1. Safety Guidelines

1

If start fluid in aerosol cans or ether base start aid is used, the preheating system must be disconnected. Remove the cable from the preheating system unit that is found in the intake manifold. Use isolating tape on the cable end to avoid short circuit.

- DO NOT try to activate the controls if you are not on the operator's seat.
- Before getting off the tractor, always disengage the PTO, lower all the accessories and implements to the ground, set the tractor to neutral, apply the parking brake, stop the engine and remove the key from the ignition.

## 11 - Safe operation



**CAUTION!**

*An unbalanced tractor can overturn and cause serious accidents.*

Make sure the counterweights in the front frame, the wheel weights and wheel ballasts are used according to the manufacturer's recommendations. DO NOT add extra weight to make up for an overloaded tractor. It is recommended to reduce the load. Keep all your limbs inside the operator compartment while operating the tractor.

### 11.1 - Do the correct movements

Make sure the tractor is ready for the work to be done. Know its rated load capacities and never exceed the numbers. Make sure that the equipment or implement used DO NOT exceed the tractor load capacity. Make sure the tractor PTO and the implement PTO are compatible.

Remember that the tractors normally operate on rough, unpaved or bumpy surfaces. The operating conditions can reduce the weight quantity that you can carry or tow.

### 11.2 - Safety practices

- Operate the controls carefully. Do not turn the steering wheel or make sudden movements to activate other controls.
- DO NOT get on or off the tractor while it is in operation. Hold the steering wheel with both hands and firmly.
- Make sure there is enough room in all directions, for the tractor and the implement as well.
- DO NOT play with the tractor or equipment. They must only be used for the purpose indicated.

**Be alert!** If anything breaks down, get loose or fail in the equipment, stop working, inspect the machine and make the necessary repairs before starting the operation again.

### Be careful with pedestrians

Be attentive to what is going on around you. DO NOT allow non-trained or non-qualified people operate the tractor. They can cause serious accidents.



**WARNING!**

*DO NOT give ride on the machine or implement (Fig. 11).*

DO NOT allow that other people ride the implement or other equipment, such as wagons, except for some cropping equipment which are specially designed for passengers during the cropping operations (not during transportation). There must be some space in such equipment, so such type of transportation can be done safely. DO NOT allow children on the tractor.



Fig. 11



**Suggest:**

**For more complete manuals. Please go to the home page.**

**<https://www.ebooklibonline.com>**

**If the above button click is invalid. Please download this document first, and then click the above link to download the complete manual.**

**Thank you so much for reading**

# 1. Safety Guidelines

1

- Make sure you can control both the speed and steering of the machine before driving it. Move the machine slowly until everything is working properly. After the start, check the steering angle again - to the right and to the left. Make sure you can move the machine both to the right and to the left and can control the machine completely. If the differential is blocked, DO NOT operate or maneuver the tractor in high speed until the differential is unlocked.
- DO NOT lift objects that do not fit in the bumper. Purchase the correct equipment.
- DO NOT lift loads over other people.
- Keep people away from the working area. DO NOT allow other people to stay or pass under an implement lifted (Fig. 12).
- If a loader is used, avoid sudden stops, starts or maneuvers, or sudden changes of direction. Keep the loads close to the ground during the transportation.
- NEVER stop (or allow other to stop) in front of, under or behind loaded equipment or equipment being loaded. DO NOT drive the tractor towards someone standing in front of a fixed object.
- Keep people away from the yokes, couplings, steering rod, lift arms, PTO driving parts, cylinders, belts, pulleys and other moving parts. Keep all protections and guards in their places.

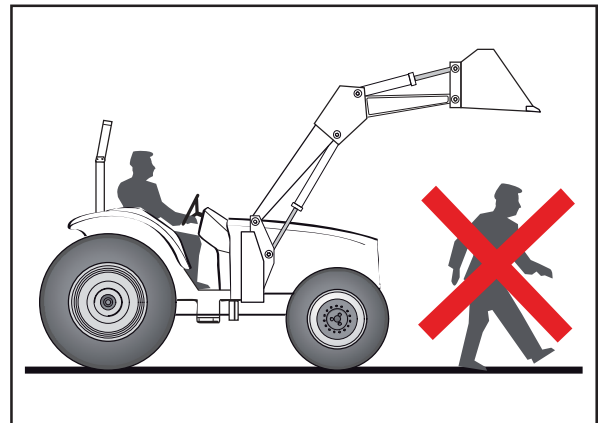


Fig. 12



### ATTENTION!

*DO NOT stand or allow anyone to stand between the tractor and the implement, unless the engine is off, the parking brake is applied, the transmission is in Neutral and all accessories are lowered to the ground level.*

## 11.3 - Overturn risk

If a tractor equipped with PSAO overturns, hold the steering wheel firmly and DO NOT try to get off the seat until the tractor stops completely and DO NOT leave the operator's seat until the tractor stops completely (Fig. 13 ). If the cab doors are blocked, leave the tractor through the rear window or roof hatchway.

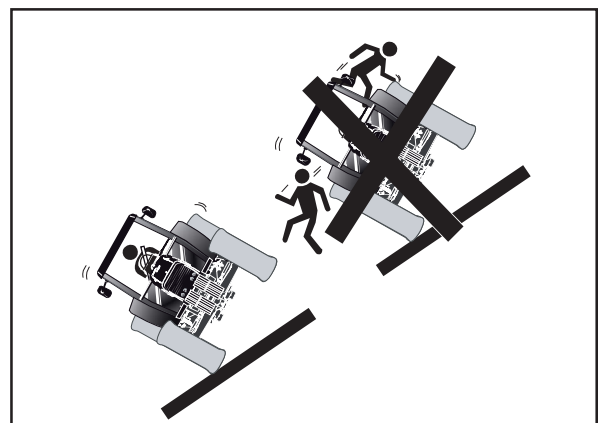


Fig. 13

## 1. Safety Guidelines

1

Do not operate near ditches or sand banks. The distance to the obstacle must be equal or bigger than the total height of the subject in question (Fig. 14).

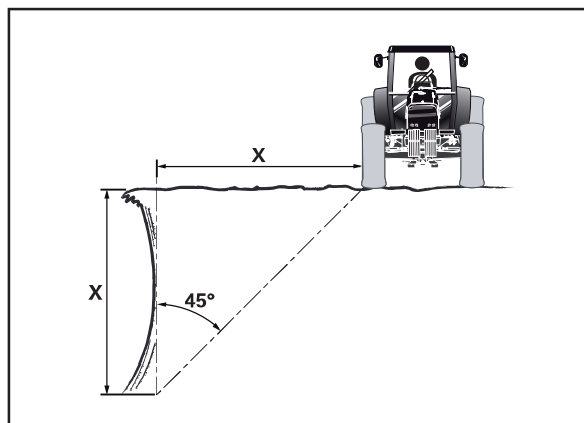


Fig. 14

### 11.4 - To avoid rear overturn



#### ATTENTION!

*Coupling in the rear shaft or any other point above the steering rod can cause rear overturns.*

- ✓ DO NOT apply traction to any implement or accessory through the arm of the 3rd point, or any other point on the rear shaft of above. Use steering rods approved by Massey Ferguson only and use a pin with the correct size to lock the steering rod in place.
- ✓ Couplings in high positions can cause rear overturn which can result in serious accidents or death. Couple loads to the steering rod only.
- ✓ Use steering rods with 3-point engagement only when fasteners are used to keep it in the lowered position.
- ✓ Use front counterweights to improve the tractor stability when carrying heavy loads or to counterbalance the weight of a heavy implement at the rear part of the tractor.
- ✓ Start moving the tractor slowly and increase the speed gradually. DO NOT engage the reverse gear or release the clutch fast. If the tractor is coupled to a heavy load or an stationary object, using the clutch improperly can cause overturn.
- ✓ If the tractor front starts rising, reduce the speed and, if necessary, release the clutch.
- ✓ If the tractor gets stuck in mud or snow, DO NOT try to move forward because the rear wheels can skid and the tractor can overturn. Lift any coupled implement and try to MOVE IN REVERSE GEAR. If not possible, tow the tractor using another vehicle.

- ✓ Tractors with or without implements coupled to the rear must be maneuvered and go down slope ground forward.
- ✓ Tractors with front loaders must be maneuvered and go up slope ground forward. Keep the loader as close to the ground as possible.
- ✓ Always keep the tractor engaged when going down hills. DO NOT go down hill with the clutch disengaged and the transmission in neutral.

### 11.5 - To avoid lateral overturn

- ✓ Adjust the wheel gauge to a wider setting more suitable for the job being performed.
- ✓ Lock the brake pedals with the locking device before using the transportation speeds.
- ✓ Reduce the speed to adjust it to the operating conditions. If the tractor is equipped with a front loader, load the bumper and the load to lowest level possible.
- ✓ Use lower speeds when making turns.
- ✓ Do not move loads by traction which are too heavy for the tractor capacity, because the load can fall off the tractor and go down the hill or the tractor may skid and hit the load being towed.

**<https://www.ebooklibonline.com>**

Hello dear friend!

Thank you very much for reading.

Enter the link into your browser.

The full manual is available for immediate download.

**<https://www.ebooklibonline.com>**