

Product: EXCAVATOR

Model: 320C EXCAVATOR BBL

Configuration: 320C, 320C L, 320C LN, 320C S Excavators BBL00001-UP (MACHINE) POWERED BY 3066 Engine

Operation and Maintenance Manual 320C Excavator

Media Number -SEBU7343-06

Publication Date -01/05/2005

Date Updated -10/05/2005

s00037320

Foreword

SMCS - 6001-011; 6001; 6101; 6102; 6523

Literature Information

This manual should be stored in the operator's compartment in the literature holder or seat back literature storage area.

This manual contains safety information, operation instructions, transportation information, lubrication information and maintenance information.

Some photographs or illustrations in this publication show details or attachments that can be different from your machine. Guards and covers might have been removed for illustrative purposes.

Continuing improvement and advancement of product design might have caused changes to your machine which are not included in this publication. Read, study and keep this manual with the machine.

Whenever a question arises regarding your machine, or this publication, please consult your Cat dealer for the latest available information.

Safety

The safety section lists basic safety precautions. In addition, this section identifies the text and locations of warning signs and labels used on the machine.

Read and understand the basic precautions listed in the safety section before operating or performing lubrication, maintenance and repair on this machine.

Operation

The operation section is a reference for the new operator and a refresher for the experienced operator. This section includes a discussion of gauges, switches, machine controls, attachment controls, transportation and towing information.

Photographs and illustrations guide the operator through correct procedures of checking, starting, operating and stopping the machine.

Operating techniques outlined in this publication are basic. Skill and techniques develop as the operator gains knowledge of the machine and its capabilities.

Maintenance

The maintenance section is a guide to equipment care. The Maintenance Interval Schedule (MIS) lists the items to be maintained at a specific service interval. Items without specific intervals are listed under the "When Required" service interval. The Maintenance Interval Schedule lists the page number for the step-by-step instructions required to accomplish the scheduled maintenance. Use the Maintenance Interval Schedule as an index or "one safe source" for all maintenance procedures.

Maintenance Intervals

Use the service hour meter to determine servicing intervals. Calendar intervals shown (daily, weekly, monthly, etc.) can be used instead of service hour meter intervals if they provide more convenient servicing schedules and approximate the indicated service hour meter reading. Recommended service should always be performed at the interval that occurs first.

Under extremely severe, dusty or wet operating conditions, more frequent lubrication than is specified in the maintenance intervals chart might be necessary.

Perform service on items at multiples of the original requirement. For example, at every 500 service hours or 3 months, also service those items listed under every 250 service hours or monthly and every 10 service hours or daily.

California Proposition 65 Warning

Diesel engine exhaust and some of its constituents are known to the State of California to cause cancer, birth defects, and other reproductive harm.

Battery posts, terminals and related accessories contain lead and lead compounds. **Wash hands after handling.**

Certified Engine Maintenance

Proper maintenance and repair is essential to keep the engine and machine systems operating correctly. As the heavy duty off-road diesel engine owner, you are responsible for the performance of the required maintenance listed in the Owner Manual, Operation and Maintenance Manual, and Service Manual.

It is prohibited for any person engaged in the business of repairing, servicing, selling, leasing, or trading engines or machines to remove, alter, or render inoperative any emission related device or element of design installed on or in an engine or machine that is in compliance with the

regulations (40 CFR Part 89). Certain elements of the machine and engine such as the exhaust system, fuel system, electrical system, intake air system and cooling system may be emission related and should not be altered unless approved by Caterpillar.

Machine Capacity

Additional attachments or modifications may exceed machine design capacity which can adversely affect performance characteristics. Included would be stability and system certifications such as brakes, steering, and rollover protective structures (ROPS). Contact your Cat dealer for further information.

Cat Product Identification Number

Effective First Quarter 2001 the Cat Product Identification Number (PIN) has changed from 8 to 17 characters. In an effort to provide uniform equipment identification, Caterpillar and other construction equipment manufacturers are moving to comply with the latest version of the product identification numbering standard. Non-road machine PINs are defined by ISO 10261. The new PIN format will apply to all Cat machines and generator sets. The PIN plates and frame marking will display the 17 character PIN. The new format will look like the following:



Illustration 1

g00751314

Where:

1. Caterpillar's World Manufacturing Code (characters 1-3)
2. Machine Descriptor (characters 4-8)
3. Check Character (character 9)
4. Machine Indicator Section (MIS) or Product Sequence Number (characters 10-17). These were previously referred to as the Serial Number.

<https://www.ebooklibonline.com>

Hello dear friend!

Thank you very much for reading.

Enter the link into your browser.

The full manual is available for immediate download.

<https://www.ebooklibonline.com>

Machines and generator sets produced before First Quarter 2001 will maintain their 8 character PIN format.

Components such as engines, transmissions, axles, etc. and work tools will continue to use an 8 character Serial Number (S/N).

Product: EXCAVATOR

Model: 320C EXCAVATOR BBL

Configuration: 320C, 320C L, 320C LN, 320C S Excavators BBL00001-UP (MACHINE) POWERED BY 3066 Engine

Operation and Maintenance Manual 320C Excavator

Media Number -SEBU7343-06

Publication Date -01/05/2005

Date Updated -10/05/2005

i02241473

Safety Messages - Arrangement I

SMCS - 7000; 7405

S/N - BBL1-UP

S/N - BCN1-UP

S/N - BDE1-UP

S/N - BEA1-UP

S/N - DBG1-482

S/N - EGL1-445

S/N - GLA1-1350

S/N - JTG1-716

There are a number of specific safety messages on this machine. The exact location of the hazards and the description of the hazards are reviewed in this section. Please become familiar with all safety messages.

Make sure that all of the safety messages are legible. Clean the safety messages or replace the safety messages if you cannot read the words. Replace the safety messages if the illustrations are not visible. When you clean the safety messages, use a cloth, water, and soap. Do not use solvent, gasoline, or other harsh chemicals to clean the safety messages. Solvents, gasoline, or harsh chemicals could loosen the adhesive that secures the safety message. Loose adhesive will allow the safety message to fall.

Replace any safety message that is damaged, or missing. If a safety message is attached to a part that is replaced, install a safety message on the replacement part. Any Caterpillar dealer can provide new safety messages.

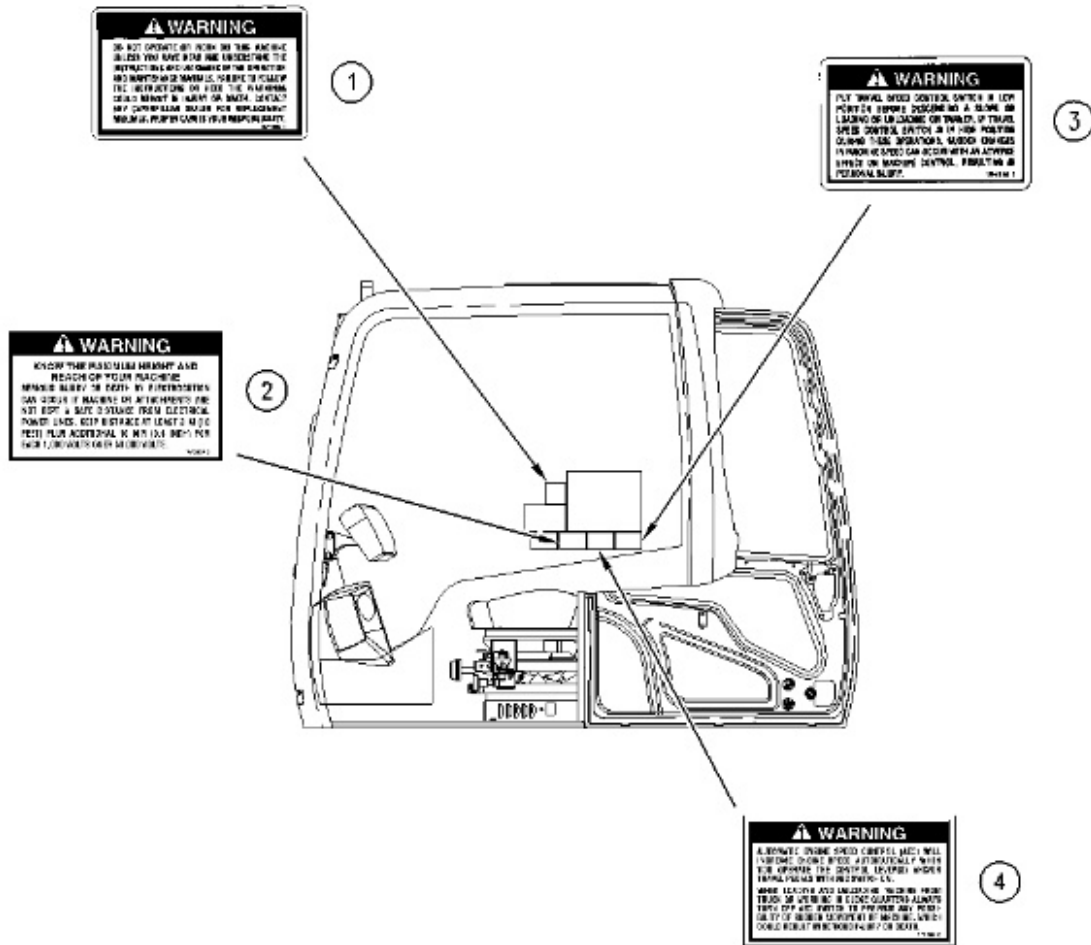


Illustration 2

g00893100

Warning labels inside cab

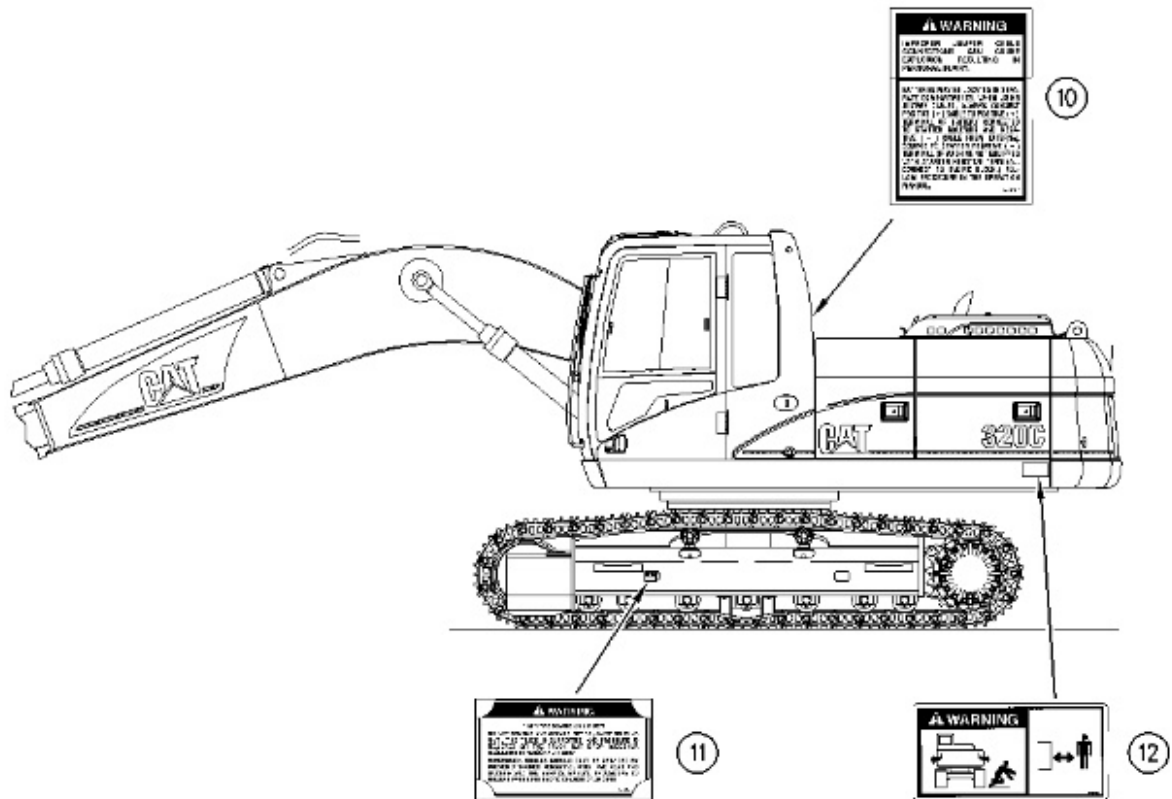


Illustration 4

g00893344

Left side of machine

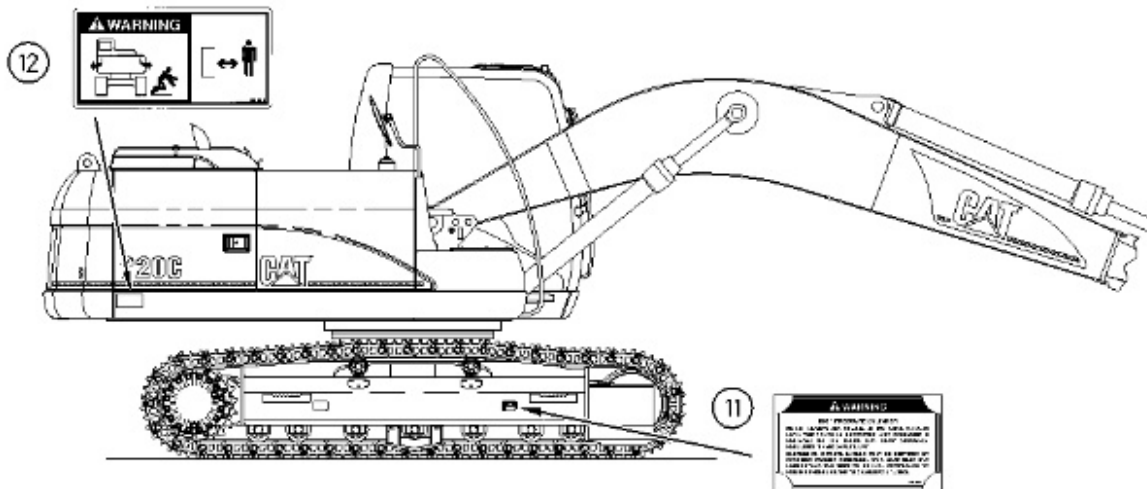


Illustration 5

g00893478

Right side of machine

The following numbered items correspond to the safety messages that are displayed in Illustrations 2 through 5.

Do Not Operate (1)

This safety message is positioned on the right side of the cab.



Do not operate or work on this machine unless you have read and understand the instructions and warnings in the Operation and Maintenance Manual. Failure to follow the instructions or heed the warnings could result in injury or death. Contact any Caterpillar dealer for replacement manuals. Proper care is your responsibility.

Electrical Power Lines (2)

This safety message is positioned in the cab.



KNOW THE MAXIMUM HEIGHT AND REACH OF YOUR MACHINE. SERIOUS INJURY OR DEATH BY ELECTROCUTION CAN OCCUR IF MACHINE OR ATTACHMENTS ARE NOT KEPT A SAFE DISTANCE FROM ELECTRICAL POWER LINES. KEEP DISTANCE AT LEAST 3 M (10 FEET) PLUS ADDITIONAL 10 MM (0.4 INCH) FOR EACH 1,000 VOLTS OVER 50,000 VOLTS.

Travel Speed Control Switch (3)

This safety message is positioned in the cab.



Put travel speed control switch in LOW position before descending a slope or loading or unloading on trailer. If travel speed control switch is in HIGH position during these operations, sudden changes in machine speed can occur with an adverse effect on machine control, resulting in personal injury.

Automatic Engine Speed Control (AEC) (4)

This safety message is positioned in the cab.

 **WARNING**

Automatic Engine Speed Control (AEC) will increase engine speed automatically when you operate the control lever(s) and/or travel pedals when in position TWO.

When loading and unloading machine from truck or working in close quarters, always have AEC switch in position ONE to prevent any possibility of sudden movement of machine, which could result in serious injury or death.

Hot Surface (5)

This safety message is located inside the engine compartment and on top of the hydraulic tank.

 **WARNING**

Avoid contact with hot surfaces. Exhaust piping and engine components become hot during engine operation and cool slowly after engine shutdown. Any contact with hot surfaces can cause severe burns.

Pressurized System (6)

This safety message is located inside the engine compartment next to the cooling system filler cap.

 **WARNING**

Pressurized system: Hot coolant can cause serious burn. To open cap, stop engine, wait until radiator is cool. Then loosen cap slowly to relieve the pressure.

High Pressure Gas (7)

This safety message is positioned on the accumulator.

 **WARNING**

This system contains high pressure gas. Failure to follow the instructions and warnings could cause an explosion, resulting in possible injury or death.

Do not expose to fire. Do not weld. Do not drill. Relieve pressure before discharging.

**See Operation and Maintenance Manual for charging and discharging.
See your Caterpillar Dealer for tools and detailed information.**

Lift Eyes Can Fail (8)

This safety message is located on the top of the hydraulic tank and on top of the fuel tank.



**LIFT EYES OR TANK CAN FAIL WHEN LIFTING TANK
CONTAINING FLUIDS RESULTING IN POSSIBLE PERSONAL
INJURY. DRAIN TANK OF ALL FLUIDS BEFORE LIFTING.**

Relieve Hydraulic Tank Pressure (9)

This safety message is located on top of the hydraulic tank.



HYDRAULIC TANK

**RELIEVE TANK PRESSURE WITH ENGINE OFF BY REMOVING
CAP SLOWLY TO PREVENT BURNS FROM HOT OIL.**

Jump Start Cables (10)

This safety message is positioned on the circuit breaker panel.



**IMPROPER JUMPER CABLE CONNECTIONS CAN CAUSE
EXPLOSION RESULTING IN PERSONAL INJURY.**

**BATTERIES MAY BE LOCATED IN SEPARATE
COMPARTMENTS. WHEN USING JUMPER CABLES, ALWAYS
CONNECT POSITIVE (+) CABLE TO POSITIVE (+) TERMINAL OF
BATTERY CONNECTED TO STARTER SOLENOID AND
NEGATIVE (-) CABLE FROM EXTERNAL SOURCE TO STARTER
NEGATIVE (-) TERMINAL (IF MACHINE NOT EQUIPPED WITH**

STARTER NEGATIVE TERMINAL, CONNECT TO ENGINE BLOCK.) FOLLOW PROCEDURE IN THE OPERATION MANUAL.

High Pressure Cylinder (11)

This safety message is located on both of the track adjusters.



High Pressure Cylinder. Do not remove any parts from the cylinder until all of the pressure has been relieved. This will prevent possible personal injury or death.

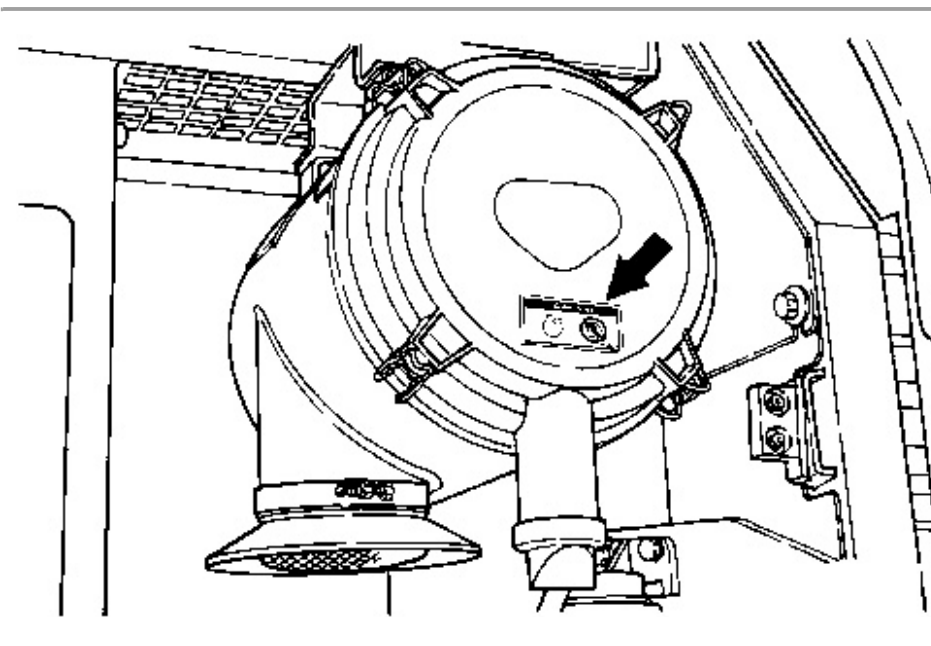
Crushing Hazard (12)

This safety message is located in two places on the rear of each side of the machine.



Machine swings. Stay back. Crushing hazard could cause serious injury or death.

Aerosol Starting Aid



This safety message is positioned on the cover of the intake duct of the air cleaner. The following information is not applicable to machines that are equipped with an ether starting aid.



g00100745

A horizontal red banner with a white triangle containing a black exclamation mark on the left and the word "WARNING" in bold white capital letters on the right.

WARNING

Since this machine is equipped with an air inlet heater, ether should not be used for starting. Using ether can create explosions or fires that can cause personal injury or death. Follow the starting procedure in the Operation and Maintenance Manual.

Warning for the Top Guard

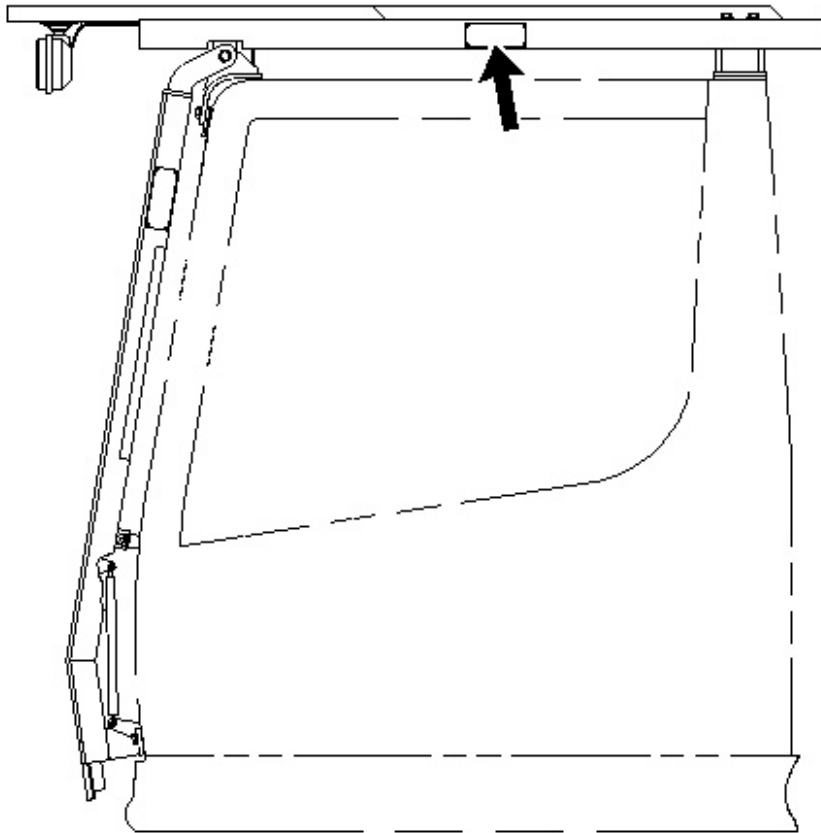


Illustration 7

g00301788

This safety message is located on the left side of the falling object guard.

 **WARNING**

Structural damage, an overturn, modification, alteration, or improper repair can impair this structure's protection capability thereby voiding this certification. Do not weld on or drill holes in the structure. Consult a Caterpillar dealer to determine this structure's limitations without voiding its certification.

Warning for the Front Guard

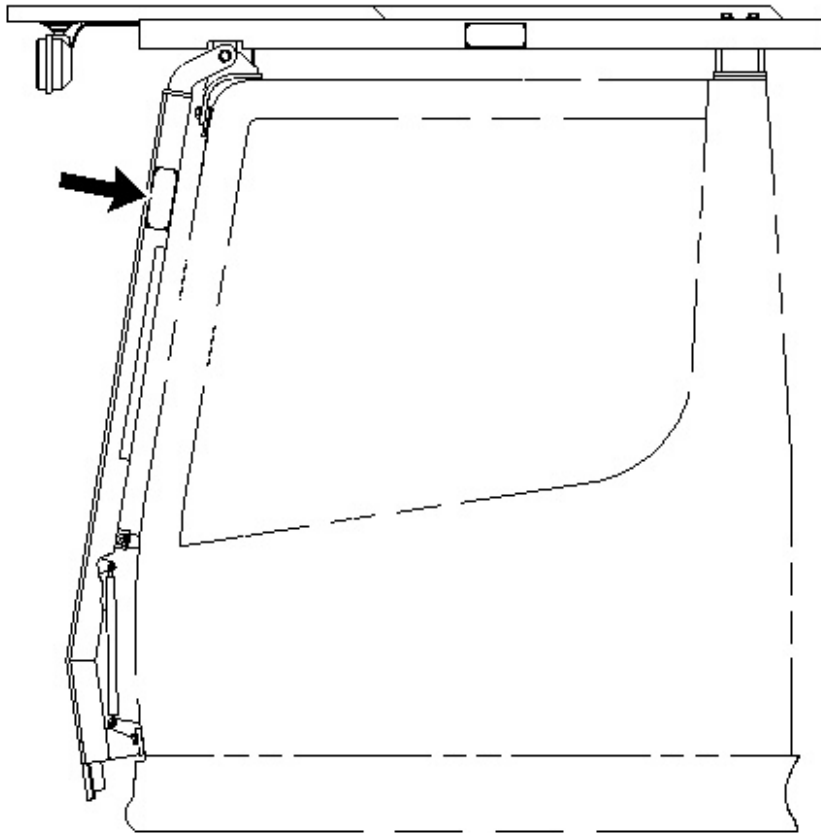


Illustration 8

g00301787

This safety message is located on the front of the flying object guard.

 **WARNING**

Structural damage, an overturn, modification, alteration, or improper repair can impair this structure's protection capability thereby voiding this certification. Do not weld on or drill holes in the structure. Consult a Caterpillar dealer to determine this structure's limitations without voiding its certification.

High Pressure Cylinder (VA Boom)

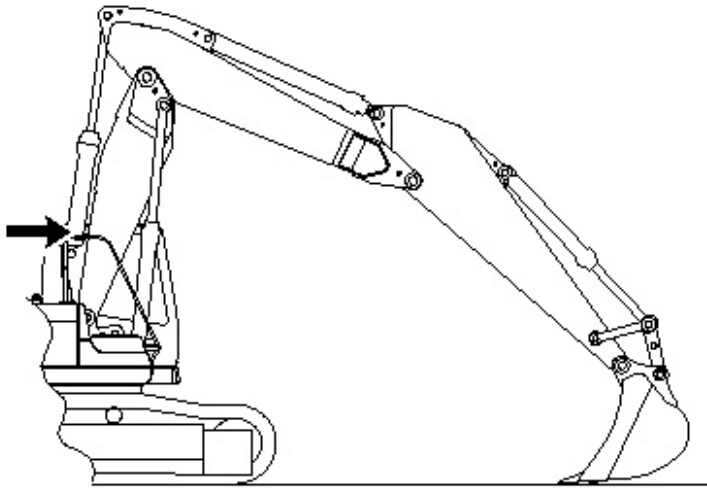


Illustration 9

g00754778

This safety message is located near the check valve on the VA boom cylinder.



g00754780



HIGH PRESSURE CYLINDER

Do not remove any parts until all pressure has been relieved to avoid possible personal injury.

Relieve pressure by opening slowly the bleed port on the valve.

Machine Control Pattern

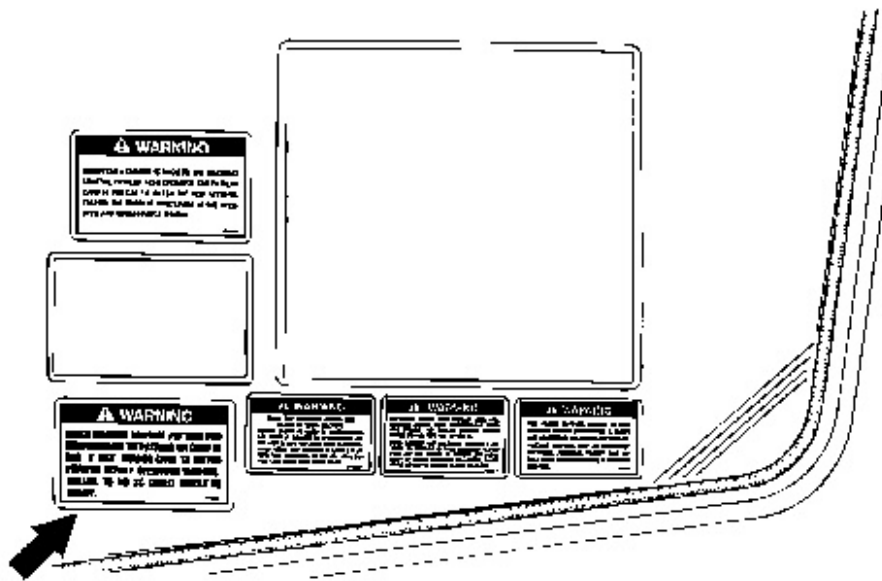


Illustration 10

g00684458

This safety message is positioned in the cab, if the machine is equipped with a two-way valve or a four-way valve.



g00100776



CHECK MACHINE CONTROL PATTERN FOR CONFORMANCE TO PATTERN ON CARD IN CAB. IF NOT, CHANGE CARD TO MATCH PATTERN BEFORE OPERATING MACHINE. FAILURE TO DO SO COULD RESULT IN INJURY.

Changes to Machine Control Pattern

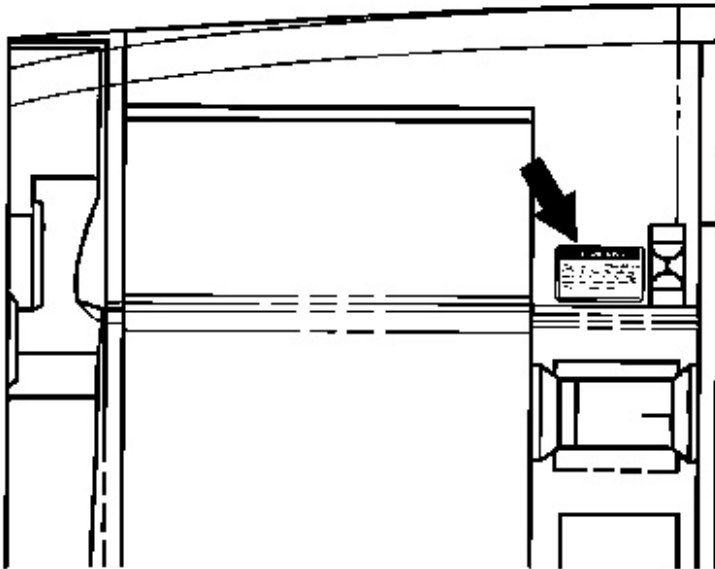


Illustration 11

g00683826

This safety message is positioned on the left access door if the machine is equipped with a two-way valve or a four-way valve.



g00100767

! WARNING

WHENEVER A CHANGE IS MADE TO THE MACHINES CONTROL PATTERN ALSO EXCHANGE THE PATTERN CARD IN THE CAB TO MATCH THE NEW PATTERN. FOLLOW THE CORRECT PROCEDURE IN THE OPERATOR AND MAINTENANCE MANUAL.

Crushing Hazard

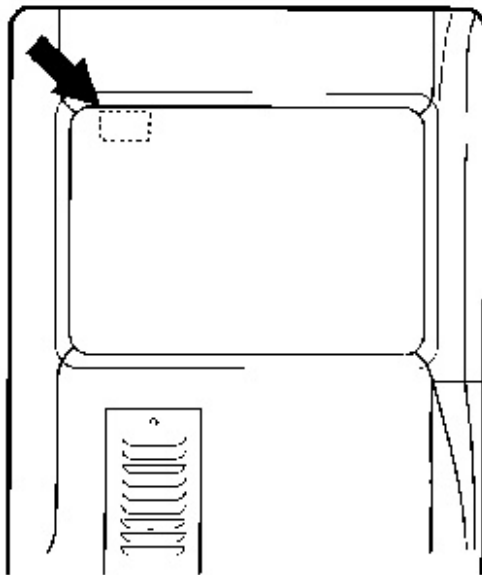


Illustration 12

g00683827

This safety message is positioned in the cab.



Suggest:

For more complete manuals. Please go to the home page.

<https://www.ebooklibonline.com>

If the above button click is invalid. Please download this document first, and then click the above link to download the complete manual.

Thank you so much for reading



g00684465



Personal injury can result if the window is not latched in the overhead position; ensure the auto lock is engaged.

SmartBoom Operation

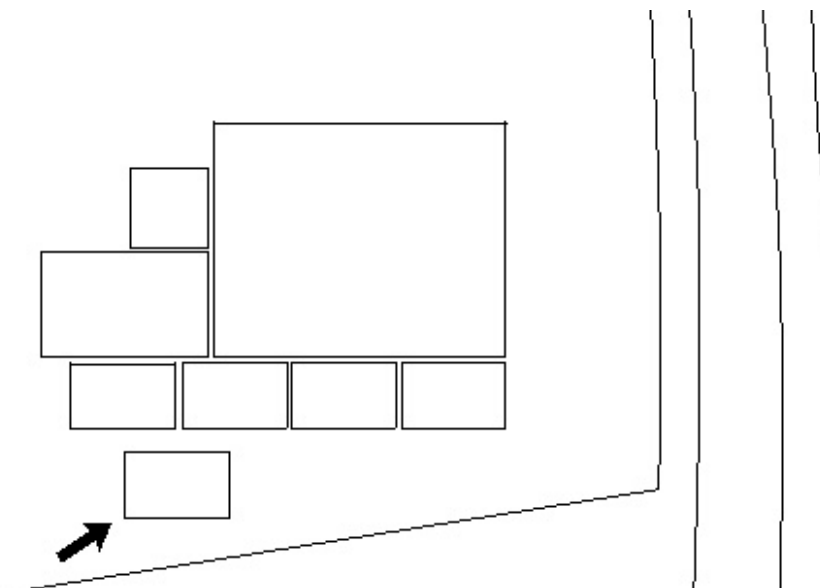
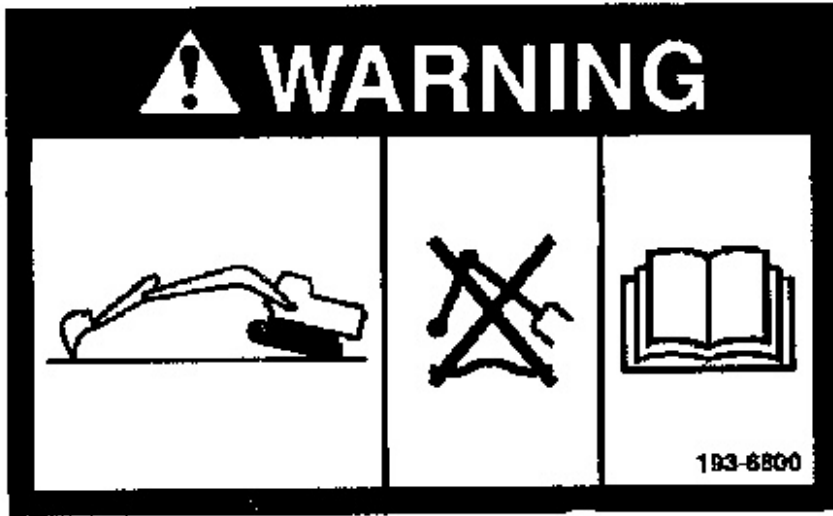


Illustration 13

g00810627

This safety message is positioned in the cab.

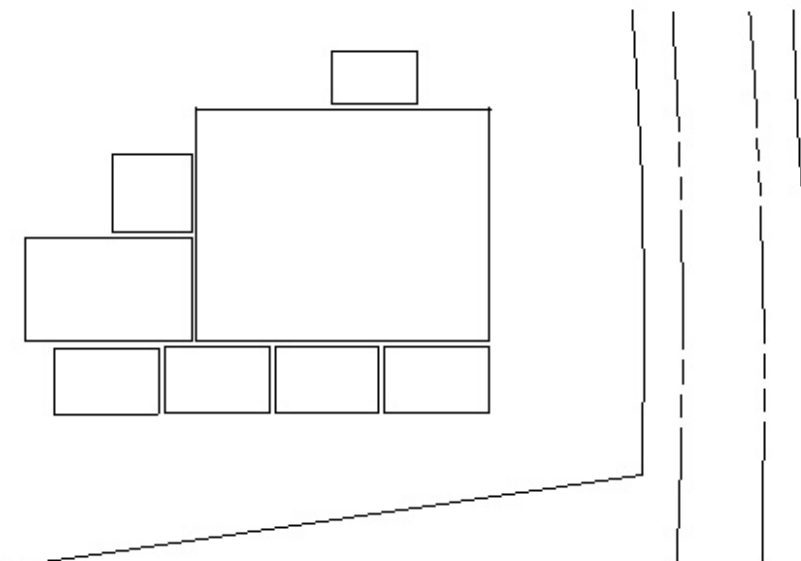


g00810639



Do not elevate or lower the track when in the SmartBoom mode. Follow the operation procedures for the SmartBoom in the Operation and Maintenance Manual. Failure to follow these instructions can result in serious injury or death.

Product Link



<https://www.ebooklibonline.com>

Hello dear friend!

Thank you very much for reading.

Enter the link into your browser.

The full manual is available for immediate download.

<https://www.ebooklibonline.com>