

Product: EXCAVATOR

Model: 312B EXCAVATOR 6SW

Configuration: 312B & 312B L Excavators 6SW00001-UP (MACHINE) POWERED BY 3054 Engine

Operation and Maintenance Manual 307B, 312B, 315B, 317B and 318B Excavators

Media Number -SEBU7500-04

Publication Date -01/03/2001

Date Updated -16/11/2001

s00037320

Foreword

SMCS - 6001-011; 6101; 6102; 6523

Literature Information

This manual should be stored in the operator's compartment in the literature holder or seat back literature storage area.

This manual contains safety information, operation instructions, transportation information, lubrication information and maintenance information.

Some photographs or illustrations in this publication show details or attachments that can be different from your machine. Guards and covers might have been removed for illustrative purposes.

Continuing improvement and advancement of product design might have caused changes to your machine which are not included in this publication. Read, study and keep this manual with the machine.

Whenever a question arises regarding your machine, or this publication, please consult your Cat dealer for the latest available information.

Safety

The safety section lists basic safety precautions. In addition, this section identifies the text and locations of warning signs and labels used on the machine.

Read and understand the basic precautions listed in the safety section before operating or performing lubrication, maintenance and repair on this machine.

Operation

The operation section is a reference for the new operator and a refresher for the experienced operator. This section includes a discussion of gauges, switches, machine controls, attachment controls, transportation and towing information.

Photographs and illustrations guide the operator through correct procedures of checking, starting, operating and stopping the machine.

Operating techniques outlined in this publication are basic. Skill and techniques develop as the operator gains knowledge of the machine and its capabilities.

Maintenance

The maintenance section is a guide to equipment care. The Maintenance Interval Schedule (MIS) lists the items to be maintained at a specific service interval. Items without specific intervals are listed under the "When Required" service interval. The Maintenance Interval Schedule lists the page number for the step-by-step instructions required to accomplish the scheduled maintenance. Use the Maintenance Interval Schedule as an index or "one safe source" for all maintenance procedures.

Maintenance Intervals

Use the service hour meter to determine servicing intervals. Calendar intervals shown (daily, weekly, monthly, etc.) can be used instead of service hour meter intervals if they provide more convenient servicing schedules and approximate the indicated service hour meter reading. Recommended service should always be performed at the interval that occurs first.

Under extremely severe, dusty or wet operating conditions, more frequent lubrication than is specified in the maintenance intervals chart might be necessary.

Perform service on items at multiples of the original requirement. For example, at every 500 service hours or 3 months, also service those items listed under every 250 service hours or monthly and every 10 service hours or daily.

California Proposition 65 Warning

Diesel engine exhaust and some of its constituents are known to the State of California to cause cancer, birth defects, and other reproductive harm.

Battery posts, terminals and related accessories contain lead and lead compounds. **Wash hands after handling.**

Certified Engine Maintenance

Proper maintenance and repair is essential to keep the engine and machine systems operating correctly. As the heavy duty off-road diesel engine owner, you are responsible for the performance of the required maintenance listed in the Owner Manual, Operation and Maintenance Manual, and Service Manual.

It is prohibited for any person engaged in the business of repairing, servicing, selling, leasing, or trading engines or machines to remove, alter, or render inoperative any emission related device or element of design installed on or in an engine or machine that is in compliance with the

regulations (40 CFR Part 89). Certain elements of the machine and engine such as the exhaust system, fuel system, electrical system, intake air system and cooling system may be emission related and should not be altered unless approved by Caterpillar.

Machine Capacity

Additional attachments or modifications may exceed machine design capacity which can adversely affect performance characteristics. Included would be stability and system certifications such as brakes, steering, and rollover protective structures (ROPS). Contact your Cat dealer for further information.

Cat Product Identification Number

Effective First Quarter 2001 the Cat Product Identification Number (PIN) has changed from 8 to 17 characters. In an effort to provide uniform equipment identification, Caterpillar and other construction equipment manufacturers are moving to comply with the latest version of the product identification numbering standard. Non-road machine PINs are defined by ISO 10261. The new PIN format will apply to all Cat machines and generator sets. The PIN plates and frame marking will display the 17 character PIN. The new format will look like the following:



Illustration 1

g00751314

Where:

1. Caterpillar's World Manufacturing Code (characters 1-3)
2. Machine Descriptor (characters 4-8)
3. Check Character (character 9)
4. Machine Indicator Section (MIS) or Product Sequence Number (characters 10-17). These were previously referred to as the Serial Number.

<https://www.ebooklibonline.com>

Hello dear friend!

Thank you very much for reading.

Enter the link into your browser.

The full manual is available for immediate download.

<https://www.ebooklibonline.com>

Machines and generator sets produced before First Quarter 2001 will maintain their 8 character PIN format.

Components such as engines, transmissions, axles, etc. and work tools will continue to use an 8 character Serial Number (S/N).

Product: EXCAVATOR

Model: 312B EXCAVATOR 6SW

Configuration: 312B & 312B L Excavators 6SW00001-UP (MACHINE) POWERED BY 3054 Engine

Operation and Maintenance Manual 307B, 312B, 315B, 317B and 318B Excavators

Media Number -SEBU7500-04

Publication Date -01/03/2001

Date Updated -16/11/2001

i01495034

Model View Illustrations - VA Boom

SMCS - 7000

S/N - 2KW1-UP

S/N - 5SW1-UP

S/N - 6DZ1-UP

S/N - 6SW1-UP

S/N - 9FS1-UP

S/N - 9NW1-UP

S/N - 9WW1-UP

S/N - ADC1-UP

S/N - AEJ1-UP

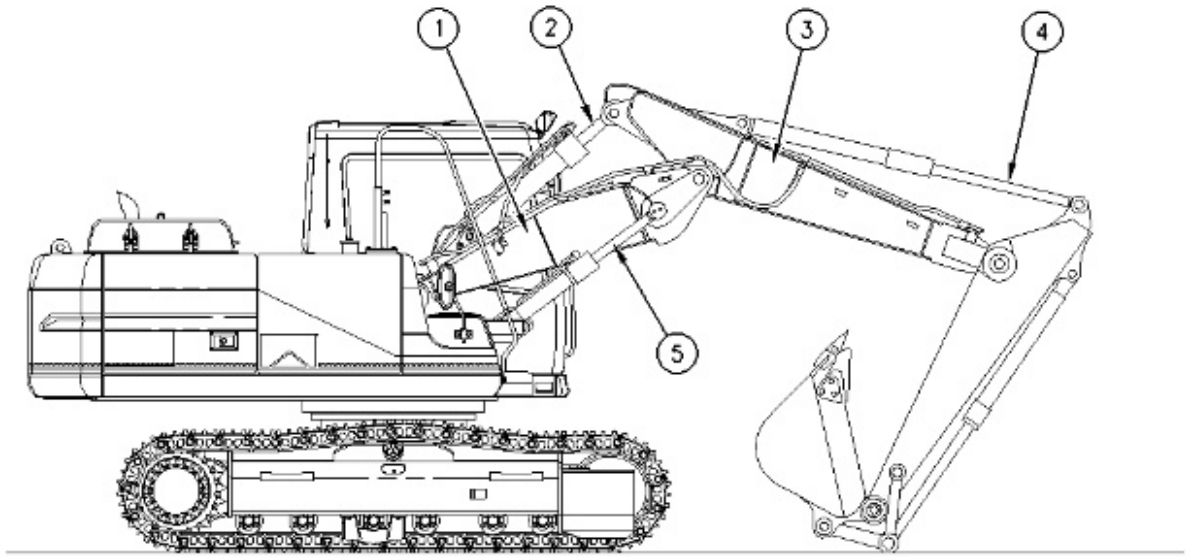


Illustration 1

g00776408

- (1) Stub boom
 - (2) Fore boom cylinder
 - (3) Fore boom
 - (4) Stick cylinder
 - (5) Stub boom cylinder
-

Product: EXCAVATOR

Model: 312B EXCAVATOR 6SW

Configuration: 312B & 312B L Excavators 6SW00001-UP (MACHINE) POWERED BY 3054 Engine

Operation and Maintenance Manual 307B, 312B, 315B, 317B and 318B Excavators

Media Number -SEBU7500-04

Publication Date -01/03/2001

Date Updated -16/11/2001

i01493619

Working Ranges - VA Boom

SMCS - 7000

S/N - 2KW1-UP

S/N - 6SW1-UP

S/N - 9FS1-UP

S/N - 9NW1-UP

Table 1

	Short Stick (2.1 m)	Medium Stick (2.5 m)	Long Stick (3.0 m)
Maximum digging depth	4.84 m	5.25 m	5.73 m
Maximum digging depth for a vertical wall	2.88 m	3.18 m	3.63 m
Maximum digging depth at a 2.44 m flat floor	4.72 m	5.12 m	5.62 m
Maximum reach at ground level	7.96 m	8.35 m	8.81 m
Maximum cutting height	9.29 m	9.64 m	10.05 m
Maximum loading height	6.82 m	7.18 m	7.57 m
Minimum loading height	3.12 m	2.77 m	2.38 m

Product: EXCAVATOR

Model: 312B EXCAVATOR 6SW

Configuration: 312B & 312B L Excavators 6SW00001-UP (MACHINE) POWERED BY 3054 Engine

Operation and Maintenance Manual 307B, 312B, 315B, 317B and 318B Excavators

Media Number -SEBU7500-04

Publication Date -01/03/2001

Date Updated -16/11/2001

i01499362

Lifting Capacities - 312B and 312B L Excavator with VA Boom

SMCS - 7000

S/N - 2KW1-UP

S/N - 6SW1-UP

S/N - 9FS1-UP

S/N - 9NW1-UP



Illustration 1

g00586902

(H) Height

(F) Lifting capacity over the front or rear of the machine

(S) Lifting capacity over the side of the machine

(R) Reach

Closed Boom with 2.5 m Stick and 500 mm Track Shoes

Table 1

312B Excavator with a VA boom, 2.5 m stick, 0.54 m ³ bucket, and 500 mm track shoes ⁽¹⁾						
(R)	0.0 m		1.5 m		3.0 m	
(H)	(F)	(S)	(F)	(S)	(F)	(S)

4.5 m	kg						
3.0 m	kg						
1.5 m	kg			8820 ⁽²⁾		5740 ⁽²⁾	
0.0 m	kg	5940 ⁽²⁾		6980 ⁽²⁾		8440 ⁽²⁾	6220
-1.5 m	kg	7300 ⁽²⁾		7110 ⁽²⁾		9190	5810
-3.0 m	kg	6950 ⁽²⁾				9090	5730
312B Excavator with a VA boom, 2.5 m stick, 0.54 m³ bucket, and 500 mm track shoes							
(R)		4.5 m		Maximum			
(H)		(F)	(S)	(F)	(S)	m	
4.5 m	kg			1170 ⁽²⁾		5.92	
3.0 m	kg	3250 ⁽²⁾		1240 ⁽²⁾		6.48	
1.5 m	kg	4360 ⁽²⁾	3590	1430 ⁽²⁾		6.56	
0.0 m	kg	4790	3300	1820 ⁽²⁾		6.19	
-1.5 m	kg	4570	3100				
-3.0 m	kg						

⁽¹⁾ "ISO 10567" "SAE J1097"

⁽²⁾ Capacity is limited by hydraulics rather than by a tipping load. The loads do not exceed 87 percent of hydraulic lifting capacity or 75 percent of tipping capacity. Weight of all lifting accessories must be subtracted from the lifting capacities.

Boom at Half Stroke with 2.5 m Stick and 500 mm Track Shoes

Table 2

312B Excavator with a VA boom, 2.5 m stick, 0.54 m³ bucket, and 500 mm track shoes ⁽¹⁾							
(R)		1.5 m		3.0 m		4.5 m	
(H)		(F)	(S)	(F)	(S)	(F)	(S)
6.0 m	kg					2850 ⁽²⁾	
4.5 m	kg					3770 ⁽²⁾	
3.0 m	kg			5730 ⁽²⁾		4450 ⁽²⁾	3630
1.5 m	kg			8240 ⁽²⁾	6290	4830	3340

0.0 m	kg	3550 ⁽²⁾		8090 ⁽²⁾	5680	4540	3080
-1.5 m	kg	6540 ⁽²⁾		7970 ⁽²⁾	5470	4380	2930
-3.0 m	kg	7060 ⁽²⁾		7720 ⁽²⁾	5510	4380	2930
312B Excavator with a VA boom, 2.5 m stick, 0.54 m³ bucket, and 500 mm track shoes							
(R)		6.0 m		Maximum			
(H)		(F)	(S)	(F)	(S)	m	
6.0 m	kg			1230 ⁽²⁾		6.13	
4.5 m	kg	1660 ⁽²⁾		1170 ⁽²⁾		7.10	
3.0 m	kg	3130	2210	1210 ⁽²⁾		7.56	
1.5 m	kg	3010	2090	1310 ⁽²⁾		7.63	
0.0 m	kg	2880	1970	1530 ⁽²⁾	1440	7.32	
-1.5 m	kg	2810	1910	1940 ⁽²⁾	1680	6.58	
-3.0 m	kg						

⁽¹⁾ "ISO 10567" "SAE J1097"

⁽²⁾ Capacity is limited by hydraulics rather than by a tipping load. The loads do not exceed 87 percent of hydraulic lifting capacity or 75 percent of tipping capacity. Weight of all lifting accessories must be subtracted from the lifting capacities.

Opened Boom with 2.5 m Stick and 500 mm Track Shoes

Table 3

312B Excavator with a VA boom, 2.5 m stick, 0.54 m³ bucket, and 500 mm track shoes ⁽¹⁾										
(R)		3.0 m		4.5 m		6.0 m		Maximum		
(H)		(F)	(S)	(F)	(S)	(F)	(S)	(F)	(S)	m
7.5 m	kg	3990 ⁽²⁾						1500 ⁽²⁾		5.38
6.0 m	kg	3890 ⁽²⁾		3940 ⁽²⁾	3740			1260 ⁽²⁾		6.93
4.5 m	kg	3950 ⁽²⁾		4390 ⁽²⁾	3670	3120	2200	1180 ⁽²⁾		7.78
3.0 m	kg	7830 ⁽²⁾	6720	4940	3440	3040	2120	1180 ⁽²⁾		8.20
1.5 m	kg	8600 ⁽²⁾	5810	4620	3150	2910	2000	1230 ⁽²⁾	1160	8.27

0.0 m	kg	6310 ⁽²⁾	5380	4370	2930	2800	1900	1350 ⁽²⁾	1210	8.00
-1.5 m	kg	7320 ⁽²⁾	5320	4270	2830	2760	1850	1580 ⁽²⁾	1400	7.35
-3.0 m	kg			3800 ⁽²⁾	2870					

(1) "ISO 10567" "SAE J1097"

(2) Capacity is limited by hydraulics rather than by a tipping load. The loads do not exceed 87 percent of hydraulic lifting capacity or 75 percent of tipping capacity. Weight of all lifting accessories must be subtracted from the lifting capacities.

Closed Boom with 2.5 m Stick and 500 mm Track Shoes

Table 4

312B L Excavator with a VA boom, 2.5 m stick, 0.54 m³ bucket, and 500 mm track shoes ⁽¹⁾										
(R)		0.0 m			1.5 m		3.0 m			
(H)		(F)	(S)	(F)	(S)	(F)	(S)			
4.5 m	kg									
3.0 m	kg									
1.5 m	kg			8820 ⁽²⁾		5740 ⁽²⁾				
0.0 m	kg	5940 ⁽²⁾		6980 ⁽²⁾		8440 ⁽²⁾		6250		
-1.5 m	kg	7300 ⁽²⁾		7110 ⁽²⁾		9640 ⁽²⁾		5840		
-3.0 m	kg	6950 ⁽²⁾				9160 ⁽²⁾		5760		
312B L Excavator with a VA boom, 2.5 m stick, 0.54 m³ bucket, and 500 mm track shoes										
(R)		4.5 m			Maximum					
(H)		(F)	(S)	(F)	(S)	m				
4.5 m	kg			1170 ⁽²⁾		5.92				
3.0 m	kg	3250 ⁽²⁾		1240 ⁽²⁾		6.48				
1.5 m	kg	4360 ⁽²⁾	3610	1430 ⁽²⁾		6.56				
0.0 m	kg	5500 ⁽²⁾	3320	1820 ⁽²⁾		6.19				
-1.5 m	kg	5270 ⁽²⁾	3120							
-3.0 m	kg									

(1) "ISO 10567" "SAE J1097"

⁽²⁾ Capacity is limited by hydraulics rather than by a tipping load. The loads do not exceed 87 percent of hydraulic lifting capacity or 75 percent of tipping capacity. Weight of all lifting accessories must be subtracted from the lifting capacities.

Boom at Half Stroke with 2.5 m Stick and 500 mm Track Shoes

Table 5

312B L Excavator with a VA boom, 2.5 m stick, 0.54 m³ bucket, and 500 mm track shoes ⁽¹⁾							
(R)		1.5 m		3.0 m		4.5 m	
(H)		(F)	(S)	(F)	(S)	(F)	(S)
6.0 m	kg					2850 ⁽²⁾	
4.5 m	kg					3770 ⁽²⁾	
3.0 m	kg			5730 ⁽²⁾		4450 ⁽²⁾	3650
1.5 m	kg			8240 ⁽²⁾	6320	5370 ⁽²⁾	3360
0.0 m	kg	3550 ⁽²⁾		8090 ⁽²⁾	5710	5240	3100
-1.5 m	kg	6540 ⁽²⁾		7970 ⁽²⁾	5500	5080	2950
-3.0 m	kg	7060 ⁽²⁾		7720 ⁽²⁾	5540	5070	2950
312B L Excavator with a VA boom, 2.5 m stick, 0.54 m³ bucket, and 500 mm track shoes							
(R)		6.0 m		Maximum			
(H)		(F)	(S)	(F)	(S)	m	
6.0 m	kg			1230 ⁽²⁾		6.13	
4.5 m	kg	1660 ⁽²⁾		1170 ⁽²⁾		7.10	
3.0 m	kg	3560 ⁽²⁾	2220	1210 ⁽²⁾		7.56	
1.5 m	kg	3430	2110	1310 ⁽²⁾		7.63	
0.0 m	kg	3310	1990	1530 ⁽²⁾	1450	7.32	
-1.5 m	kg	3230	1920	1940 ⁽²⁾	1690	6.58	
-3.0 m	kg						

⁽¹⁾ "ISO 10567" "SAE J1097"

⁽²⁾ Capacity is limited by hydraulics rather than by a tipping load. The loads do not exceed 87 percent of hydraulic lifting capacity or 75 percent of tipping capacity. Weight of all lifting accessories must be subtracted from the lifting capacities.

Opened Boom with 2.5 m Stick and 500 mm Track Shoes

Table 6

312B L Excavator with a VA boom, 2.5 m stick, 0.54 m ³ bucket, and 500 mm track shoes ⁽¹⁾										
(R)		3.0 m		4.5 m		6.0 m		Maximum		
(H)		(F)	(S)	(F)	(S)	(F)	(S)	(F)	(S)	m
7.5 m	kg	3990 ⁽²⁾						1500 ⁽²⁾		5.38
6.0 m	kg	3890 ⁽²⁾		3940 ⁽²⁾	3760			1260 ⁽²⁾		6.93
4.5 m	kg	3950 ⁽²⁾		4390 ⁽²⁾	3690	3550	2210	1180 ⁽²⁾		7.78
3.0 m	kg	7830 ⁽²⁾	6750	5430 ⁽²⁾	3460	3470	2140	1180 ⁽²⁾		8.20
1.5 m	kg	8600 ⁽²⁾	5840	5320	3170	3340	2020	1230 ⁽²⁾	1170	8.27
0.0 m	kg	6310 ⁽²⁾	5410	5070	2950	3220	1910	1350 ⁽²⁾	1220	8.00
-1.5 m	kg	7320 ⁽²⁾	5360	4970	2860	3170	1870	1580 ⁽²⁾	1410	7.35
-3.0 m	kg			3800 ⁽²⁾	2890					

⁽¹⁾ "ISO 10567" "SAE J1097"

⁽²⁾ Capacity is limited by hydraulics rather than by a tipping load. The loads do not exceed 87 percent of hydraulic lifting capacity or 75 percent of tipping capacity. Weight of all lifting accessories must be subtracted from the lifting capacities.

Closed Boom with 2.5 m Stick and 600 mm Track Shoes

Table 7

312B L Excavator with a VA boom, 2.5 m stick, 0.54 m ³ bucket, and 600 mm track shoes ⁽¹⁾										
(R)		0.0 m		1.5 m		3.0 m				
(H)		(F)	(S)	(F)	(S)	(F)	(S)			
4.5 m	kg									
3.0 m	kg									
1.5 m	kg			8820 ⁽²⁾		5740 ⁽²⁾				
0.0 m	kg	5940 ⁽²⁾		6980 ⁽²⁾		8440 ⁽²⁾		6470		
-1.5 m	kg	7300 ⁽²⁾		7110 ⁽²⁾		9640 ⁽²⁾				

						6060	
-3.0 m	kg	6950 ⁽²⁾				9160 ⁽²⁾	5980
312B L Excavator with a VA boom, 2.5 m stick, 0.54 m³ bucket, and 600 mm track shoes							
(R)		4.5 m		Maximum			
(H)		(F)	(S)	(F)	(S)	m	
4.5 m	kg			1170 ⁽²⁾		5.92	
3.0 m	kg	3250 ⁽²⁾		1240 ⁽²⁾		6.48	
1.5 m	kg	4360 ⁽²⁾	3730	1430 ⁽²⁾		6.56	
0.0 m	kg	5520 ⁽²⁾	3440	1820 ⁽²⁾		6.19	
-1.5 m	kg	5480 ⁽²⁾	3240				
-3.0 m	kg						

⁽¹⁾ "ISO 10567" "SAE J1097"

⁽²⁾ Capacity is limited by hydraulics rather than by a tipping load. The loads do not exceed 87 percent of hydraulic lifting capacity or 75 percent of tipping capacity. Weight of all lifting accessories must be subtracted from the lifting capacities.

Boom at Half Stroke with 2.5 m Stick and 600 mm Track Shoes

Table 8

312B L Excavator with a VA boom, 2.5 m stick, 0.54 m³ bucket, and 600 mm track shoes ⁽¹⁾							
(R)		1.5 m		3.0 m		4.5 m	
(H)		(F)	(S)	(F)	(S)	(F) (S)	
6.0 m	kg					2850 ⁽²⁾	
4.5 m	kg					3770 ⁽²⁾	
3.0 m	kg			5730 ⁽²⁾		4450 ⁽²⁾	3780
1.5 m	kg			8240 ⁽²⁾	6540	5370 ⁽²⁾	3480
0.0 m	kg	3550 ⁽²⁾		8090 ⁽²⁾	5920	5460	3220
-1.5 m	kg	6540 ⁽²⁾		7970 ⁽²⁾	5720	5290	3080
-3.0 m	kg	7060 ⁽²⁾		7720 ⁽²⁾	5760	5090 ⁽²⁾	3070

312B L Excavator with a VA boom, 2.5 m stick, 0.54 m³ bucket, and 600 mm track shoes

(R)		6.0 m		Maximum		
(H)		(F)	(S)	(F)	(S)	m
6.0 m	kg			1230 ⁽²⁾		6.13
4.5 m	kg	1660 ⁽²⁾		1170 ⁽²⁾		7.10
3.0 m	kg	3640 ⁽²⁾	2310	1210 ⁽²⁾		7.56
1.5 m	kg	3580	2190	1310 ⁽²⁾		7.63
0.0 m	kg	3450	2080	1530 ⁽²⁾	1520	7.32
-1.5 m	kg	3370	2010	1940 ⁽²⁾	1770	6.58
-3.0 m	kg					

⁽¹⁾ "ISO 10567" "SAE J1097"

⁽²⁾ Capacity is limited by hydraulics rather than by a tipping load. The loads do not exceed 87 percent of hydraulic lifting capacity or 75 percent of tipping capacity. Weight of all lifting accessories must be subtracted from the lifting capacities.

Opened Boom with 2.5 m Stick and 600 mm Track Shoes

Table 9

312B L Excavator with a VA boom, 2.5 m stick, 0.54 m ³ bucket, and 600 mm track shoes ⁽¹⁾										
(R)		3.0 m		4.5 m		6.0 m		Maximum		
(H)		(F)	(S)	(F)	(S)	(F)	(S)	(F)	(S)	m
7.5 m	kg	3990 ⁽²⁾						1500 ⁽²⁾		5.38
6.0 m	kg	3890 ⁽²⁾		3940 ⁽²⁾	3890			1260 ⁽²⁾		6.93
4.5 m	kg	3950 ⁽²⁾		4390 ⁽²⁾	3820	3690	2300	1180 ⁽²⁾		7.78
3.0 m	kg	7830 ⁽²⁾	6970	5430 ⁽²⁾	3590	3610	2220	1180 ⁽²⁾		8.20
1.5 m	kg	8600 ⁽²⁾	6060	5540	3290	3480	2100	1230 ⁽²⁾		8.27
0.0 m	kg	6310 ⁽²⁾	5630	5280	3070	3360	2000	1350 ⁽²⁾	1290	8.00
-1.5 m	kg	7320 ⁽²⁾	5570	5180	2980	3310	1960	1580 ⁽²⁾	1480	7.35
-3.0 m	kg			3800 ⁽²⁾	3010					

(1) "ISO 10567" "SAE J1097"

(2) Capacity is limited by hydraulics rather than by a tipping load. The loads do not exceed 87 percent of hydraulic lifting capacity or 75 percent of tipping capacity. Weight of all lifting accessories must be subtracted from the lifting capacities.

Product: EXCAVATOR

Model: 312B EXCAVATOR 6SW

Configuration: 312B & 312B L Excavators 6SW00001-UP (MACHINE) POWERED BY 3054 Engine

Operation and Maintenance Manual 307B, 312B, 315B, 317B and 318B Excavators

Media Number -SEBU7500-04

Publication Date -01/03/2001

Date Updated -16/11/2001

i01507529

VA Boom Controls

SMCS - 5461-VAR

S/N - 2KW1-UP

S/N - 5SW1-UP

S/N - 6DZ1-UP

S/N - 6SW1-UP

S/N - 9FS1-UP

S/N - 9NW1-UP

S/N - 9WW1-UP

S/N - ADC1-UP

S/N - AEJ1-UP

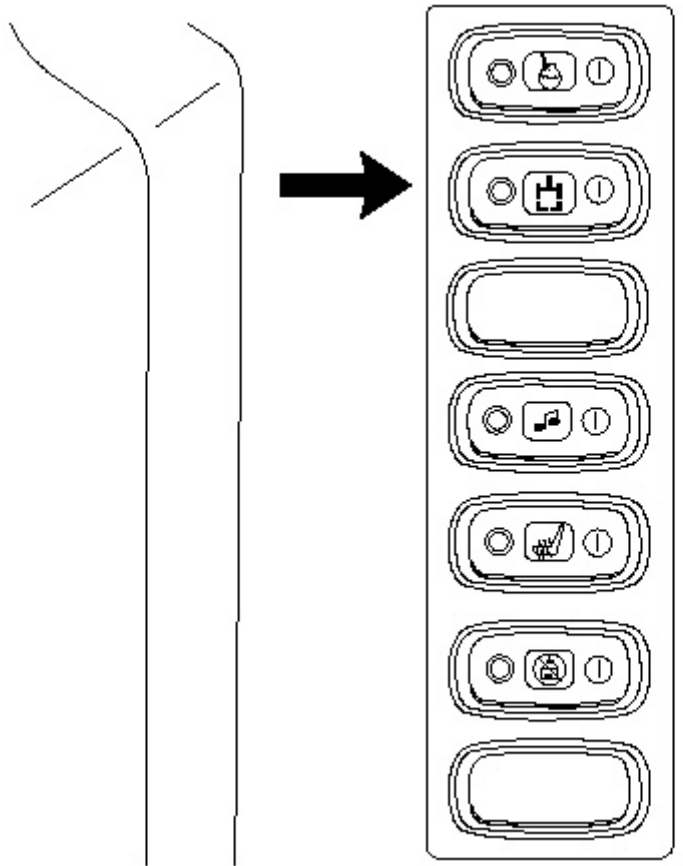
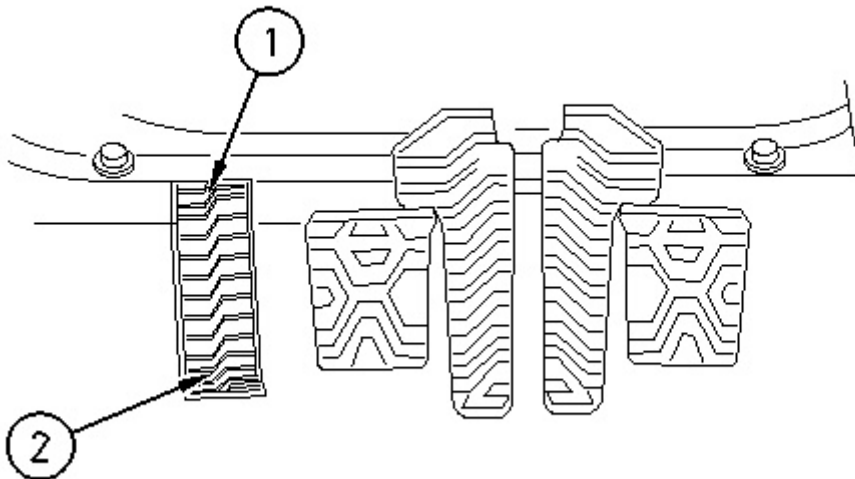


Illustration 1

g00775869

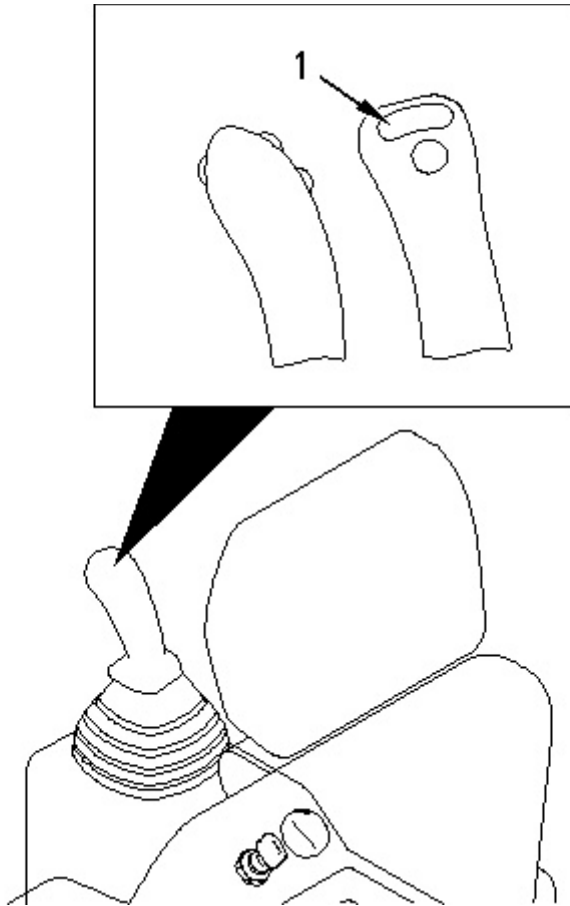
When a machine is equipped with auxiliary equipment, the pedal that operates the auxiliary equipment will also be the pedal that operates the VA boom. Since the auxiliary equipment and the VA boom are operated by the same pedal, a switch that is located on the right side console must be switched to the function that is desired.



The movement of the VA boom is proportional when the VA boom is operated with the pedal.

VA Boom Open (1) - Press downward on the front of the pedal in order to open the VA boom .

VA Boom Close (2) - Press downward on the rear of the pedal in order to close the VA boom.



The VA boom can also be operated by using the top left button (1) on the right joystick. Boom movement is not proportional when the boom is operated with the joystick. Pressing the left button will open the VA boom.

Pressing the button corresponds to a full pedal stroke. The VA boom will stop moving when the button is released. This method of controlling the VA boom can be useful in loading trucks.

Note: The VA boom cannot be closed by using the button on the joystick.

Product: EXCAVATOR

Model: 312B EXCAVATOR 6SW

Configuration: 312B & 312B L Excavators 6SW00001-UP (MACHINE) POWERED BY 3054 Engine

Operation and Maintenance Manual 307B, 312B, 315B, 317B and 318B Excavators

Media Number -SEBU7500-04

Publication Date -01/03/2001

Date Updated -16/11/2001

i01496162

Hammer Operation

SMCS - 5705-WTL

NOTICE

Selection of a hydraulic hammer must be done with extra care. Use of a hydraulic hammer not recommended by Caterpillar could result in structural damage to the machine. Consult your Caterpillar dealer for hydraulic hammer information.

Only use the hydraulic hammer to break rocks, concrete, and other hard objects. Before you start hydraulic hammer operation, place the machine on a level, stable surface. If the machine must be placed on a slope or on a rough surface, be careful during operation.

Before you start hydraulic hammer operation, close the front window.

NOTICE

In order to avoid structural damage to the host machine or the hydraulic hammer, comply with the following:

Do not attempt to break rocks or concrete by burying the hammer tool completely into the rocks or concrete.

Do not apply a prying force to the hammer tool in order to remove the hammer tool from the material.

Do not allow the hydraulic hammer to continuously operate at one location and for more than one minute. Change the location of the machine and repeat the procedure.



Suggest:

For more complete manuals. Please go to the home page.

<https://www.ebooklibonline.com>

If the above button click is invalid. Please download this document first, and then click the above link to download the complete manual.

Thank you so much for reading

NOTICE

Failure to change the location of the machine could cause the hydraulic oil to overheat. Overheated hydraulic oil could cause damage to the accumulator or to the cylinder seals.

Stop hydraulic hammer operation immediately if any of the hydraulic hoses are twisting rapidly. This indicates that the accumulator is punctured. Consult your Caterpillar dealer for the necessary repairs.

NOTICE

Do not use the dropping force of the hydraulic hammer to break rocks or other hard objects. This could cause structural damage to the machine.

Do not use the sides or back of the hydraulic hammer to move rocks or other hard objects. Doing this could cause damage not only to the hammer but to stick or boom cylinder.

Do not operate the hydraulic hammer with any of the cylinders fully retracted or extended. Doing this could cause structural damage to the machine, resulting in reduced machine life.

Do not use the hydraulic hammer to lift an object.

Do not operate the hydraulic hammer while the stick is vertical to the ground. This could allow the stick cylinder to vibrate excessively.

Operate the attachment control levers carefully in order to keep the hydraulic hammer's chisel from hitting the boom.

Do not operate the hydraulic hammer with the upper structure sideways to the undercarriage. Before you start hydraulic hammer operation, place the upper structure in the recommended position that is shown in the following illustration. Any other operating positions could make the machine unstable. Any other operating positions could place excessive loads on the undercarriage.

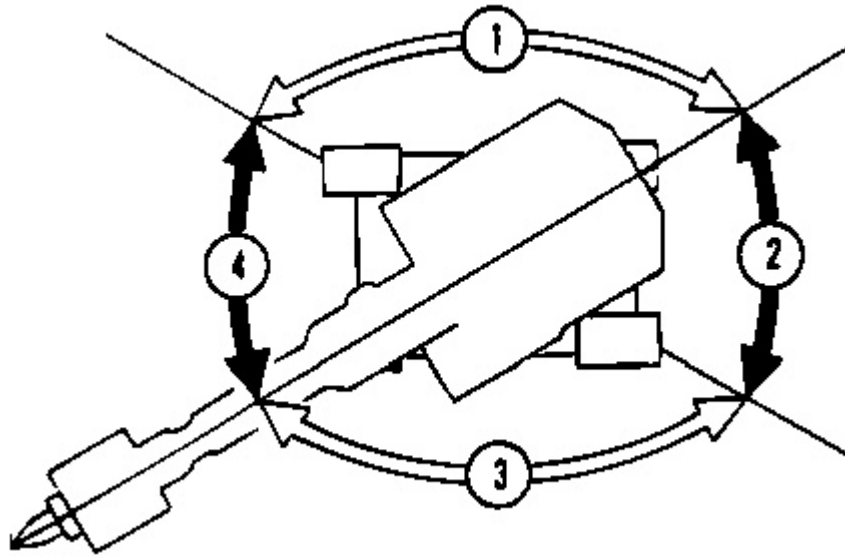


Illustration 1

g00105153

(1) Incorrect position. (2) Correct position. (3) Incorrect position. (4) Correct position.

<https://www.ebooklibonline.com>

Hello dear friend!

Thank you very much for reading.

Enter the link into your browser.

The full manual is available for immediate download.

<https://www.ebooklibonline.com>