

Product: TRUCK

Model: 795F AC TRUCK ERM

Configuration: 795F-AC Off-Highway Truck ERM00001-UP (MACHINE) POWERED BY C175-16 Engine

## Disassembly and Assembly C175-16 and C175-20 Engines for Caterpillar Built Machines

Media Number -KENR6052-18

Publication Date -01/09/2015

Date Updated -31/05/2018

i07474886

# Inlet and Exhaust Valve Springs - Remove and Install

SMCS - 1108-010

## Removal Procedure - Cylinder Head On Engine

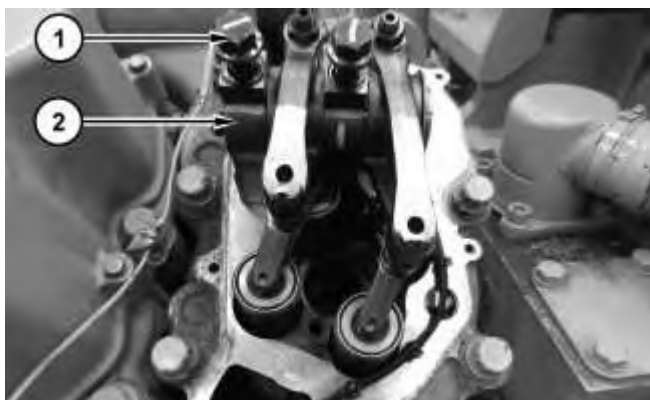
Table 1

Required Tools			
Tool	Part Number	Part Description	Qty
A	459-4664	Valve Spring Compressor	1
B	279-3473	Barring and Mounting Gp	1

### Start By:

- a. Remove valve cover.
1. Use Tooling (B) to rotate the engine so that the piston beneath the cylinder head being serviced is at top dead center.

**Note:** If the piston is not at top dead center, valves may drop down into the cylinder.



---

Illustration 1

g03494677

2. Remove bolts (1) and rocker shaft assembly (2).

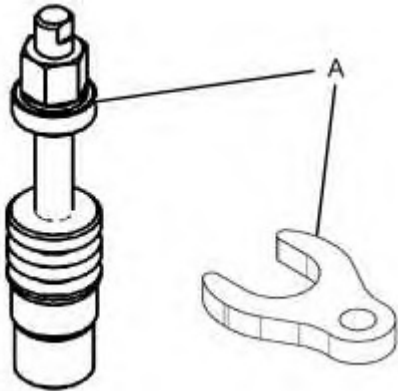


Illustration 2

g03496361

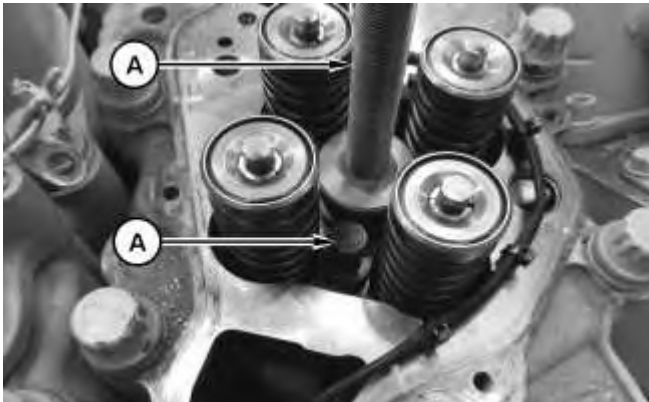


Illustration 3

g03495719

3. Install Tooling (A) into the hole for the electronic unit injector. Refer to the Tool Operating Manual, NEHS1205.



Illustration 4

g03496856

## **WARNING**

**Personal injury can result from being struck by parts propelled by a released spring force.**

**Make sure to wear all necessary protective equipment.**

**Follow the recommended procedure and use all recommended tooling to release the spring force.**

---

4. Install the plate of Tooling (A) onto the valve springs. Install the nut onto the stud. Tighten the nut to compress valve springs (2). Remove retainer locks (1).
- 

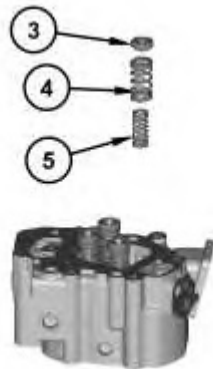


Illustration 5

g01298522

5. Remove Tooling (A). Remove rotocoil (3), outer spring (4), and inner spring (5).
6. Repeat Step 5 for the remaining valve springs.

## **Removal Procedure - Cylinder Head Off Engine**

Table 2

<b>Required Tools</b>			
<b>Tool</b>	<b>Part Number</b>	<b>Part Description</b>	<b>Qty</b>
A	333-0758	Valve Spring Compressor	1

### **Start By:**

- a. Remove the cylinder head.
-

**<https://www.ebooklibonline.com>**

Hello dear friend!

Thank you very much for reading.

Enter the link into your browser.

The full manual is available for immediate download.

**<https://www.ebooklibonline.com>**

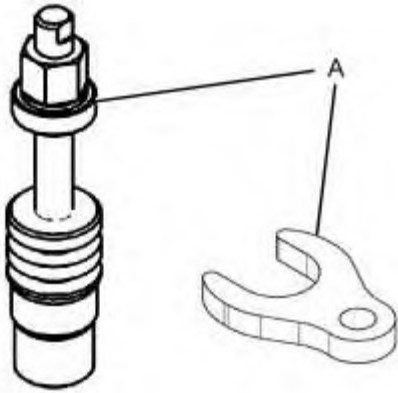


Illustration 6

g03500636

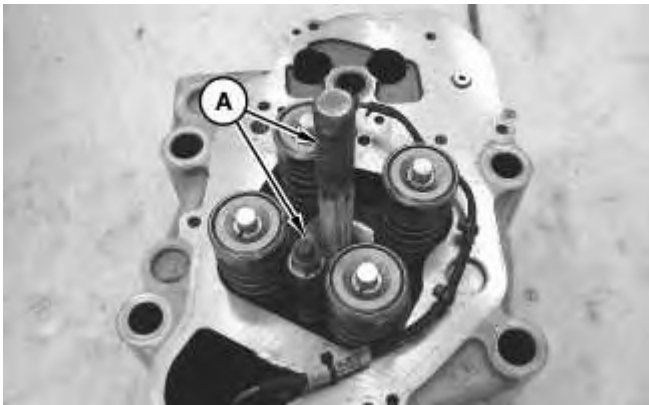


Illustration 7

g01207146

1. Install Tooling (A) into the hole for the electronic unit injector. Refer to Illustration 7.

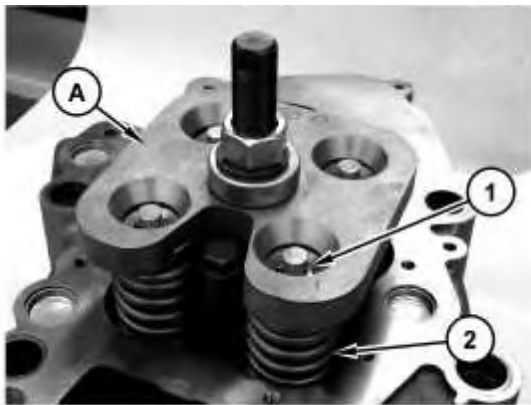


Illustration 8

g01851274

 **WARNING**

**Personal injury can result from being struck by parts propelled by a released spring force.**

**Make sure to wear all necessary protective equipment.**

**Follow the recommended procedure and use all recommended tooling to release the spring force.**

---

2. Install the plate of Tooling (A) onto the valve springs. Install the nut onto the stud. Tighten the nut to compress valve springs (2). Remove retainer locks (1).
- 

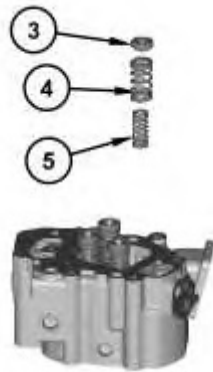


Illustration 9

g01298522

3. Remove Tooling (A). Remove rotocoil (3), outer spring (4), and inner spring (5).
4. Repeat Step 3 for the remaining valve springs.

## Installation Procedure

---

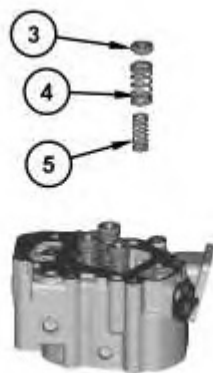


Illustration 10

g01298522



**WARNING**

**Improper assembly of parts that are spring loaded can cause bodily injury.**

**To prevent possible injury, follow the established assembly procedure and wear protective equipment.**

---

1. Install inner spring (5), outer spring (4), and rotocoil (3).

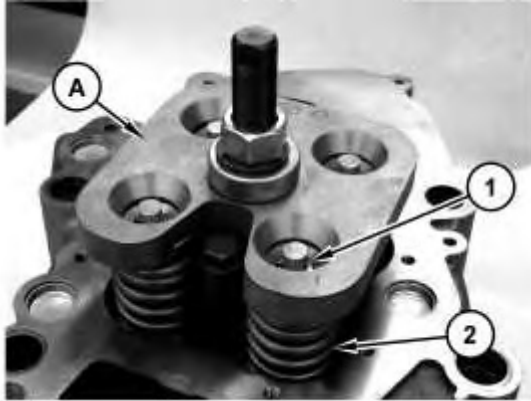


Illustration 11

g01851274

2. Use Tooling (A) to compress valve springs (2). Install retainer locks (1). Release the tension on valve springs (2). Remove Tooling (A).
3. Repeat Steps 1 through 2 for the remaining valve springs.

**End By:**

- a. Install the cylinder head.
-

Product: TRUCK

Model: 795F AC TRUCK ERM

Configuration: 795F-AC Off-Highway Truck ERM00001-UP (MACHINE) POWERED BY C175-16 Engine

## Disassembly and Assembly C175-16 and C175-20 Engines for Caterpillar Built Machines

Media Number -KENR6052-18

Publication Date -01/09/2015

Date Updated -31/05/2018

i07474929

# Inlet and Exhaust Valves - Remove and Install

SMCS - 1105-010

## Removal Procedure

Table 1

Required Tools			
Tool	Part Number	Part Description	Qty
A	459-4664	Valve Spring Compressor	1

### Start By:

- Remove the electronic unit injector. Refer to Disassembly and Assembly, "Electronic Unit Injector - Remove".
- Remove the cylinder head. Refer to Disassembly and Assembly, "Cylinder Head - Remove".

---

### NOTICE

**Keep all parts clean from contaminants.**

**Contaminants may cause rapid wear and shortened component life.**

---

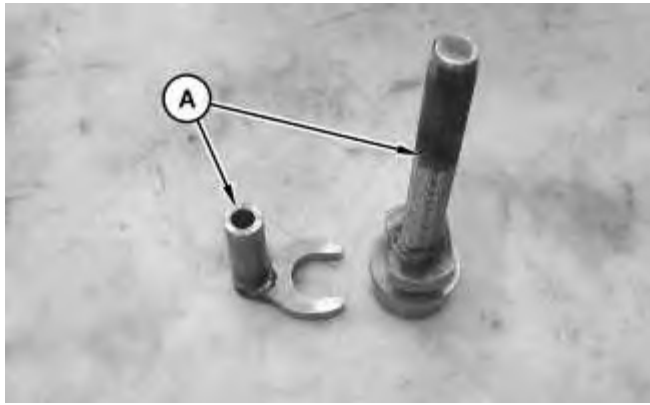


Illustration 1

g01206603

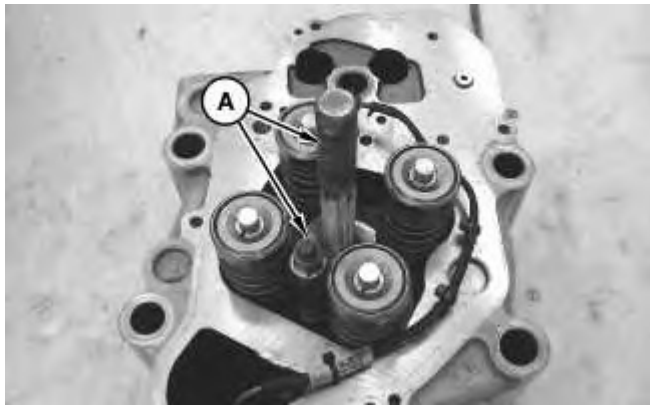


Illustration 2

g01207146

1. Install Tooling (A) into the hole for the electronic unit injector. Refer to Illustration 2. Refer to the Tool Operating Manual, NEHS1205.



Illustration 3

g01851274



**WARNING**

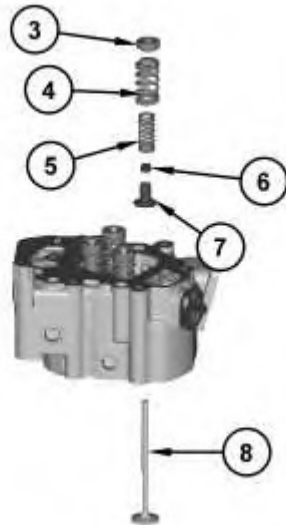
**Personal injury can result from being struck by parts propelled by a released spring force.**

**Make sure to wear all necessary protective equipment.**

**Follow the recommended procedure and use all recommended tooling to release the spring force.**

---

2. Install the plate of Tooling (A) onto the valve springs. Refer to Illustration 3. Install the nut onto the stud. Tighten the nut to compress valve springs (2). Remove retainer locks (1).
- 



---

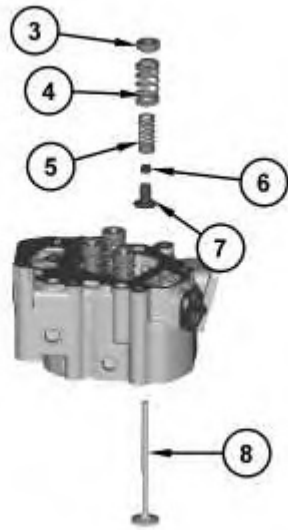
Illustration 4

g01206605

3. Remove Tooling (A). Remove rotocoil (3), outer spring (4), inner spring (5), valve seal (6), retainer (7), and valve (8).

## **Installation Procedure**

---

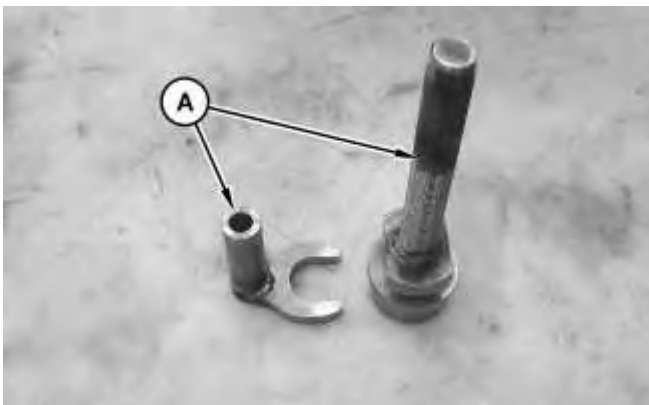


---

Illustration 5

g01206605

1. Install valve (8), retainer (7), valve seal (6), inner spring (5), outer spring (4), and rotocoil (3).



---

Illustration 6

g01206603

---



Illustration 7

g01228542

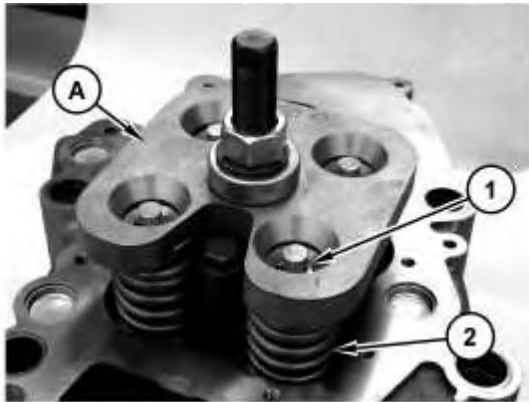


Illustration 8

g01851274

## **WARNING**

**Improper assembly of parts that are spring loaded can cause bodily injury.**

**To prevent possible injury, follow the established assembly procedure and wear protective equipment.**

2. Use Tooling (A) to compress valve springs (2). Install retainer locks (1). Release the tension on valve springs (2). Remove Tooling (A). Install a screwdriver into the hole for the injector. Slowly rotate the engine until the piston is approximately 25 mm (1.00 inch) below top dead center. Lightly strike the tops of the valves with a soft faced hammer to ensure that retainer locks (1) are properly seated.

**End By:**

- a. Install the cylinder head. Refer to Disassembly and Assembly, "Cylinder Head - Install".
  - b. Install the electronic unit injector. Refer to Disassembly and Assembly, "Electronic Unit Injector - Install".
-

Product: TRUCK

Model: 795F AC TRUCK ERM

Configuration: 795F-AC Off-Highway Truck ERM00001-UP (MACHINE) POWERED BY C175-16 Engine

## Disassembly and Assembly C175-16 and C175-20 Engines for Caterpillar Built Machines

Media Number -KENR6052-18

Publication Date -01/09/2015

Date Updated -31/05/2018

i02413949

# Inlet and Exhaust Valve Guides - Remove and Install

SMCS - 1104-010

## Removal Procedure

Table 1

Required Tools			
Tool	Part Number	Part Description	Qty
A	283-0052	Valve guide driver	1

### Start By:

- Remove the inlet and exhaust valves. Refer to Disassembly and Assembly, "Inlet and Exhaust Valves - Remove and Install".

---

### NOTICE

**Keep all parts clean from contaminants.**

**Contaminants may cause rapid wear and shortened component life.**

---

---

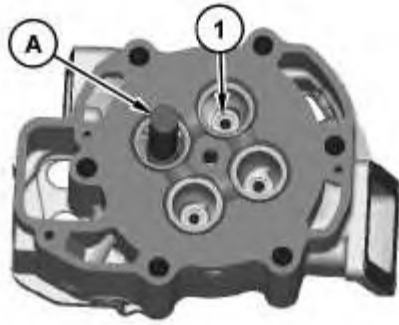


Illustration 1

g01206606

1. Turn over the cylinder head. Use Tooling (A) and a suitable hammer in order to remove valve guides (1) from the cylinder head.

## Installation Procedure

Table 2

Required Tools			
Tool	Part Number	Part Description	Qty
A	283-0052	Valve guide driver	1
B	284-1503	Collar	1

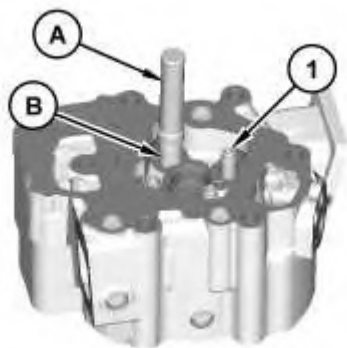


Illustration 2

g01211260

1. Coat the outside of the valve guides with clean oil prior to installation. Use Tooling (A), Tooling (B), and a suitable hammer in order to install valve guides (1) into the cylinder head. Valve guide (1) must extend  $42.0 \pm 0.50$  mm ( $1.65 \pm 0.020$  inch) above the surface of the cylinder head.

**End By:**

- a. Install the inlet and exhaust valves. Refer to Disassembly and Assembly, "Inlet and Exhaust Valves - Remove and Install".
-

Product: TRUCK

Model: 795F AC TRUCK ERM

Configuration: 795F-AC Off-Highway Truck ERM00001-UP (MACHINE) POWERED BY C175-16 Engine

## Disassembly and Assembly C175-16 and C175-20 Engines for Caterpillar Built Machines

Media Number -KENR6052-18

Publication Date -01/09/2015

Date Updated -31/05/2018

i06536405

# Inlet and Exhaust Valve Seat Inserts - Remove and Install

SMCS - 1103-010

## Removal Procedure

Table 1

Required Tools			
Tool	Part Number	Part Description	Qty
A	371-0351	Valve Seat Puller	1
B	1P-0510	Driver Gp	1

### Start By:

- Remove the inlet and exhaust valves. Refer to Disassembly and Assembly, "Inlet and Exhaust Valves - Remove and Install".

---

### NOTICE

**Keep all parts clean from contaminants.**

**Contaminants may cause rapid wear and shortened component life.**

---

---

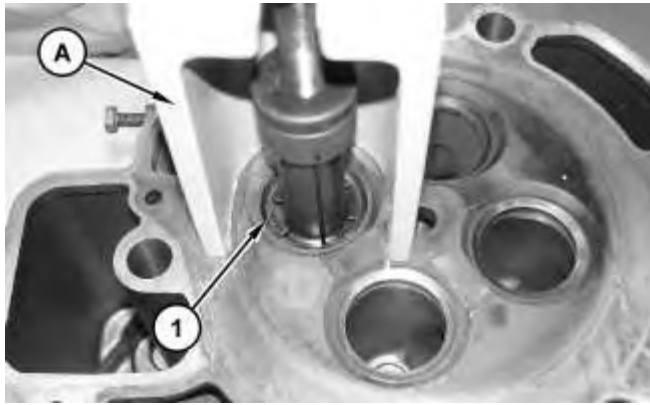


Illustration 1

g01206653

1. Turn over the cylinder head. Use Tooling (A) and remove valve seats (1) from the cylinder head.

## Installation Procedure

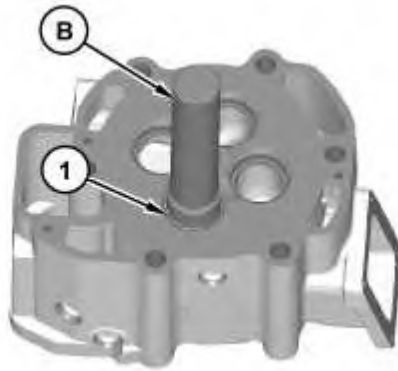


Illustration 2

g01206654

1. Lower the temperature of valve seats (1). Use Tooling (B) and a suitable hammer in order to install valve seats (1) into the cylinder head.

### End By:

- a. Install the inlet and exhaust valves. Refer to Disassembly and Assembly, "Inlet and Exhaust Valves - Remove and Install".

Product: TRUCK

Model: 795F AC TRUCK ERM

Configuration: 795F-AC Off-Highway Truck ERM00001-UP (MACHINE) POWERED BY C175-16 Engine

## Disassembly and Assembly C175-16 and C175-20 Engines for Caterpillar Built Machines

Media Number -KENR6052-18

Publication Date -01/09/2015

Date Updated -31/05/2018

i07475180

# Inlet Valve Seals - Remove and Install

SMCS - 1104-010-SA

## Removal Procedure

Table 1

Required Tools			
Tool	Part Number	Part Description	Qty
A	459-4664	Valve Spring Compressor	1

### Start By:

- a. Remove the cylinder head.

---

### NOTICE

**Keep all parts clean from contaminants.**

**Contaminants may cause rapid wear and shortened component life.**

---

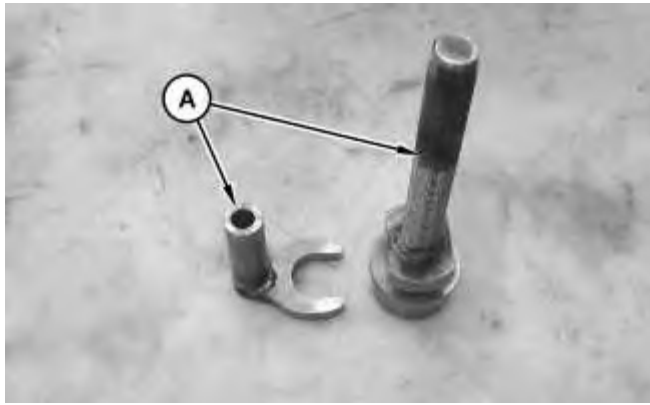


Illustration 1

g01206603

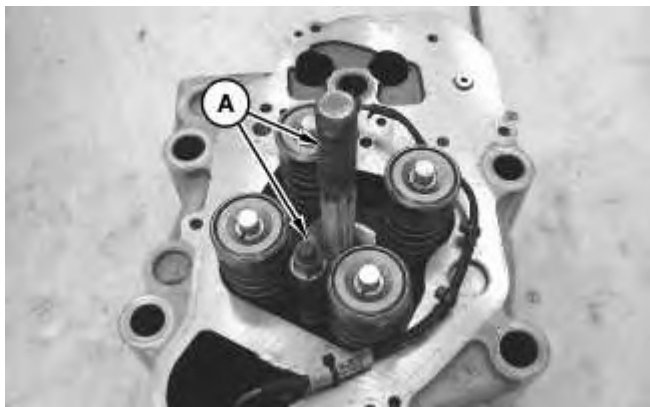


Illustration 2

g01207146

1. Install Tooling (A) into the hole for the electronic unit injector. Refer to Illustration 2. Refer to the Tool Operating Manual, NEHS1205.



Illustration 3

g01851274

 **WARNING**



**Suggest:**

**For more complete manuals. Please go to the home page.**

**<https://www.ebooklibonline.com>**

**If the above button click is invalid. Please download this document first, and then click the above link to download the complete manual.**

**Thank you so much for reading**

**Personal injury can result from being struck by parts propelled by a released spring force.**

**Make sure to wear all necessary protective equipment.**

**Follow the recommended procedure and use all recommended tooling to release the spring force.**

---

2. Install the plate of Tooling (A) onto the valve springs. Refer to Illustration 3. Install the nut onto the stud. Tighten the nut to compress valve springs (2). Remove retainer locks (1).
- 

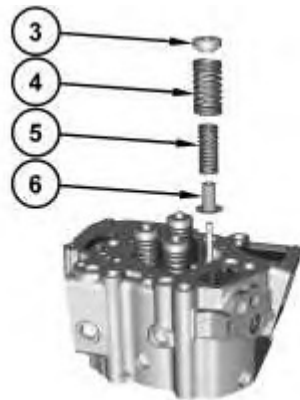


Illustration 4

g03736517

3. Remove Tooling (A). Remove rotocoil (3), outer spring (4), and inner spring (5). Remove valve seal (6).
4. Repeat Steps 1 through 3 for the remaining valve seals.

## Installation Procedure

---

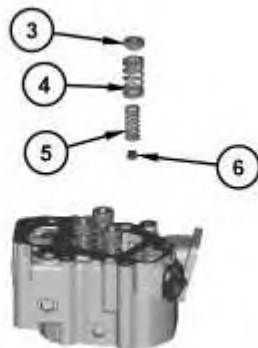


Illustration 5

g01298551

## **WARNING**

**Improper assembly of parts that are spring loaded can cause bodily injury.**

**To prevent possible injury, follow the established assembly procedure and wear protective equipment.**

---

1. Install a new valve seal (6). Install inner spring (5), outer spring (4), and rotocoil (3).

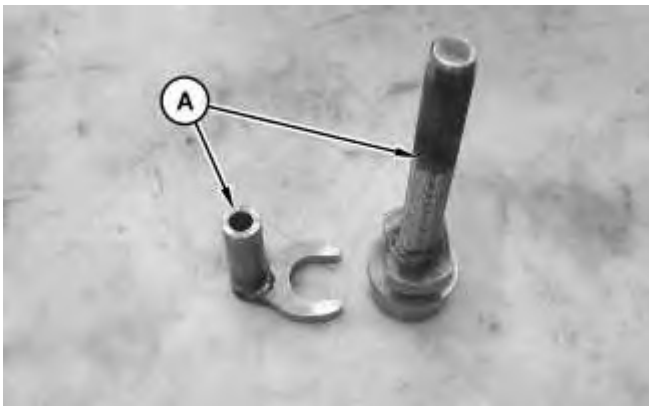


Illustration 6

g01206603



Illustration 7

g01228542

---

**<https://www.ebooklibonline.com>**

Hello dear friend!

Thank you very much for reading.

Enter the link into your browser.

The full manual is available for immediate download.

**<https://www.ebooklibonline.com>**