

Product: TRUCK

Model: 793F OEM TRUCK SXP

Configuration: 793F OEM Off-Highway Truck SXP00003-UP (MACHINE) POWERED BY C175-16 Engine

## Disassembly and Assembly 793F Off-Highway Truck Machine Systems

Media Number -KENR8579-09

Publication Date -01/10/2018

Date Updated -01/10/2018

i02625642

# Service and Parking Brake (Front) - Remove - Standard Wheel

SMCS - 4251-011; 4267-011

S/N - D3T1-UP

S/N - SSP1-UP

S/N - SXP1-UP

## Removal Procedure

Table 1

Required Tools			
Tool	Part Number	Part Description	Qty
A	138-7575	Link Bracket	2

### Start By:

- a. Remove the front wheel bearings and the Duo-Cone seals. Refer to Disassembly and Assembly, "Front Wheel Bearings - Remove".

---

## NOTICE

**Care must be taken to ensure that fluids are contained during performance of inspection, maintenance, testing, adjusting, and repair of the product. Be prepared to collect the fluid with suitable containers before opening any compartment or disassembling any component containing fluids.**

**Refer to Special Publication, NENG2500, "Dealer Service Tool Catalog" for tools and supplies suitable to collect and contain fluids on Cat<sup>®</sup> products.**

**Dispose of all fluids according to local regulations and mandates.**

---



## **WARNING**

**Personal injury can result from hot oil or hot components.**

**At operating temperature, oil is hot and under pressure. Hot oil can cause burns.**

**Remove the fill cap only when the engine is stopped, and the fill cap is cool enough to touch with your bare hand.**

**Do not allow hot oil or components to contact skin.**

---

---

## **NOTICE**

**Failure to follow the recommended procedure or the specified tooling that is required for the procedure could result in damage to components.**

**To avoid component damage, follow the recommended procedure using the recommended tools.**

---

---

## **NOTICE**

**Keep all parts clean from contaminants.**

**Contaminants may cause rapid wear and shortened component life.**

---

---

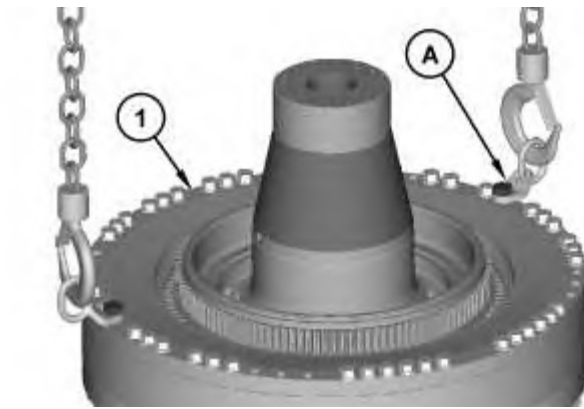


Illustration 1

g01317545

1. Attach Tooling (A) and a suitable lifting device onto front brake assembly (1). The weight of front brake assembly (1) is approximately 854 kg (1883 lb).

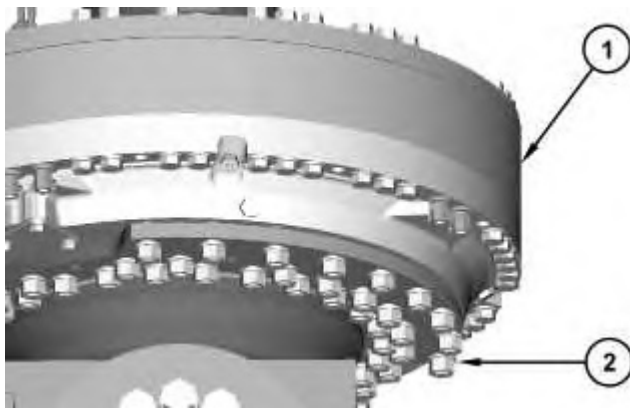


Illustration 2

g01317547

2. Remove nuts (2).
3. Remove brake assembly (1).

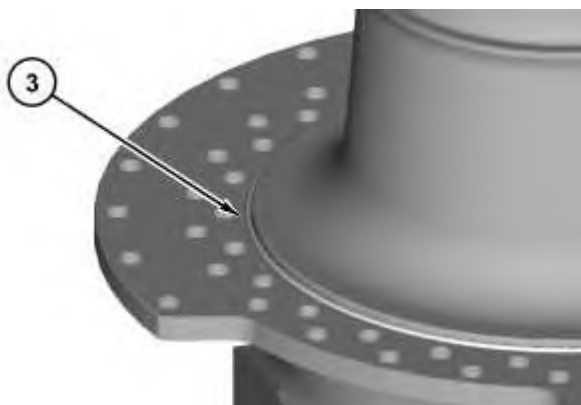


Illustration 3

g01317548

4. Remove O-ring seal (3) from the spindle.

**<https://www.ebooklibonline.com>**

Hello dear friend!

Thank you very much for reading.

Enter the link into your browser.

The full manual is available for immediate download.

**<https://www.ebooklibonline.com>**

Product: TRUCK

Model: 793F OEM TRUCK SXP

Configuration: 793F OEM Off-Highway Truck SXP00003-UP (MACHINE) POWERED BY C175-16 Engine

## Disassembly and Assembly 793F Off-Highway Truck Machine Systems

Media Number -KENR8579-09

Publication Date -01/10/2018

Date Updated -01/10/2018

i02625655

# Service and Parking Brake (Front) - Disassemble - Standard Wheel

SMCS - 4251-015; 4267-015

S/N - D3T1-UP

S/N - SSP1-UP

S/N - SXP1-UP

## Disassembly Procedure

Table 1

Required Tools			
Tool	Part Number	Part Description	Qty
A	1P-7405	Eye Bolt	2
B	FT-0841	Spring Compressor	1
C	138-7576	Link Bracket	2
D		(3/8 - 16) NC by 4 inch Forcing Screw	2

### Start By:

- Remove the front service and parking brake. Refer to Disassembly and Assembly, "Service and Parking Brake (Front) - Remove".
-

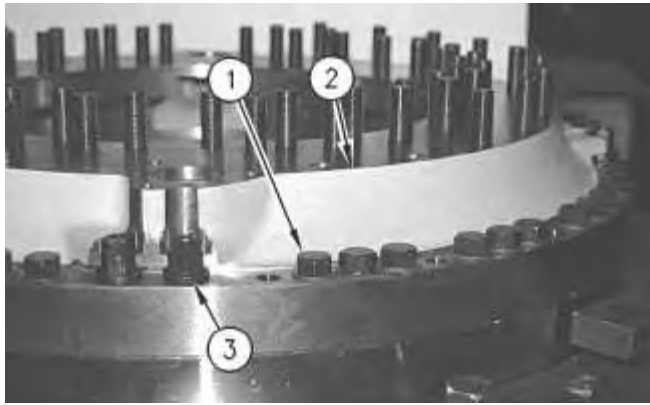


Illustration 1

g00439427

1. Remove bolts (1) that hold anchor (2) in place.
2. Loosen nuts (3) between one-half and one turn at a time in order to release the tension of the compression spring. After the tension has been released, remove nuts (3).

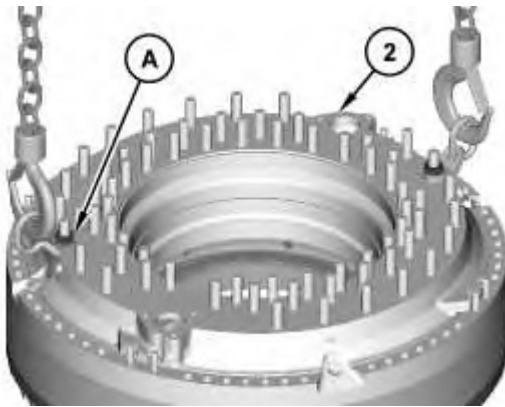


Illustration 2

g01316313

3. Use Tooling (C) and a suitable lifting device in order to remove anchor (2) from the brake assembly. The weight of anchor (2) is approximately 206 kg (454 lb).

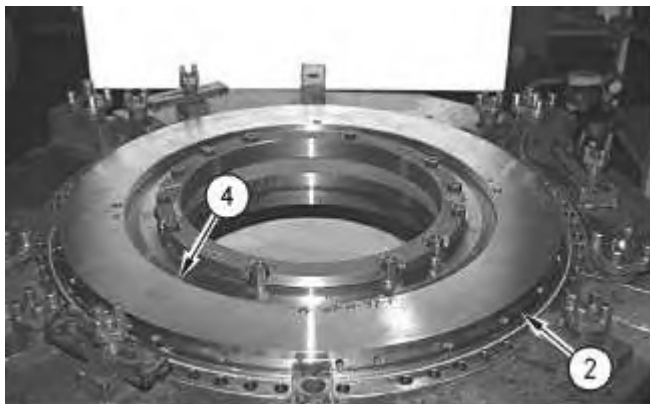


Illustration 3

g00439431

- Turn over anchor (2). Place anchor (2) on a suitable stand. Piston (4) should be facing upward.



Illustration 4

g01317209

- Install Tooling (D) in piston (4). Evenly tighten Tooling (D) in order to compress the guide springs.

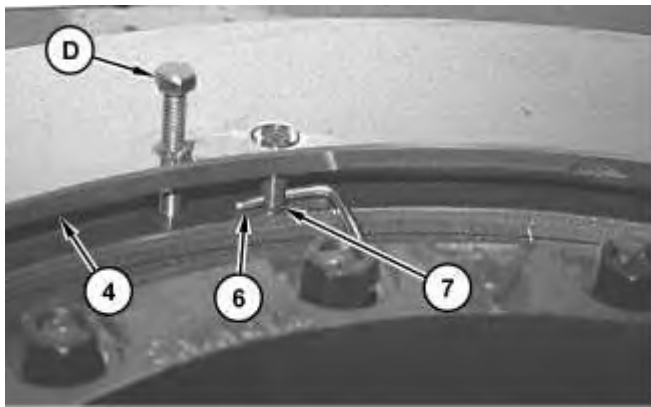
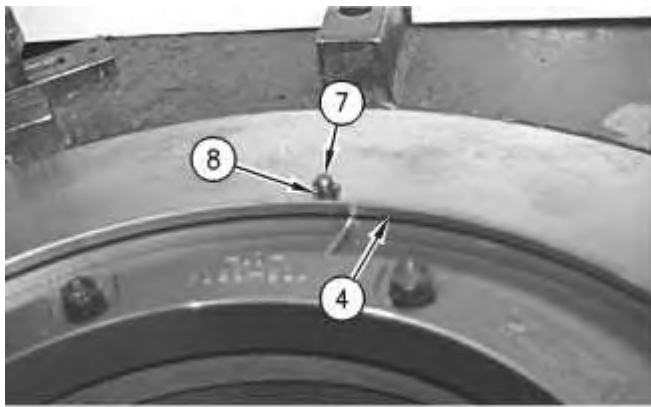


Illustration 5

g01317220

- Install two pins (6) in two guides (7).
- Remove Tooling (D).



8. Press down piston (4). Remove pins (8) from guides (7).

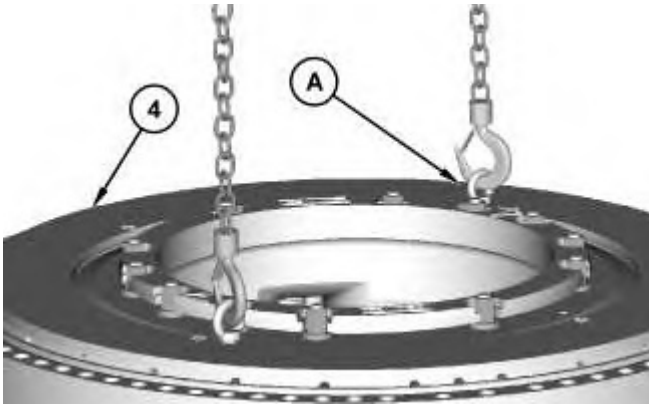


Illustration 7

9. Use Tooling (A) and a suitable lifting device to remove piston (4). The weight of piston (4) is approximately 83 kg (183 lb).

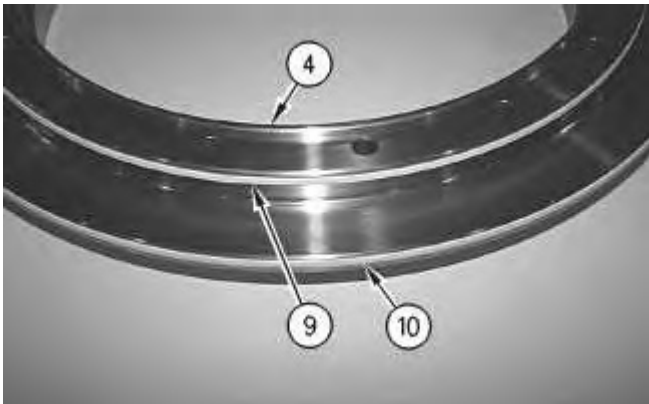


Illustration 8

10. Remove seal rings (9). Remove seal rings (10) from piston (4).



Illustration 9

## **WARNING**

**Personal injury can result from being struck by parts propelled by a released spring force.**

**Make sure to wear all necessary protective equipment.**

**Follow the recommended procedure and use all recommended tooling to release the spring force.**

---

11. Loosen nuts (11) by one-half turn at a time in order to release the tension of the compression spring.

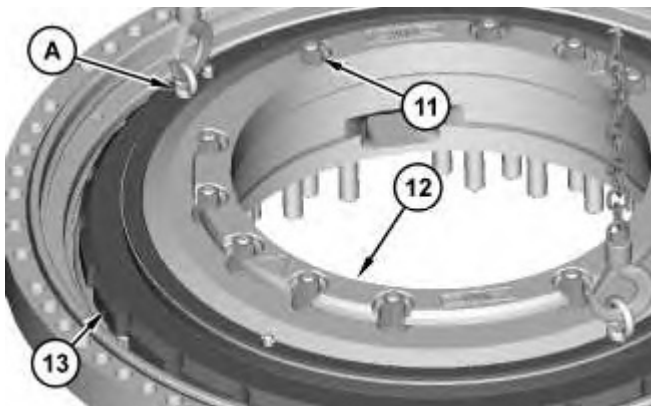
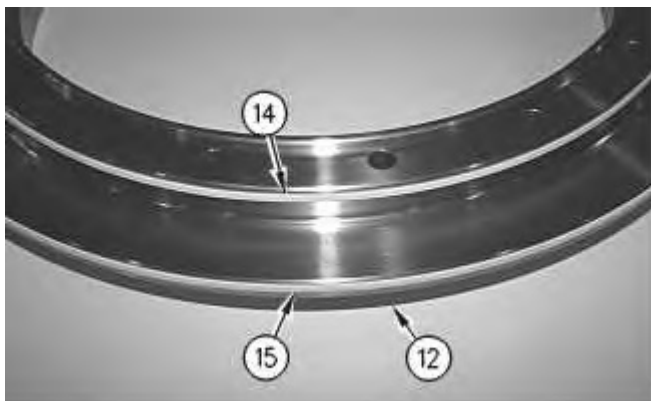


Illustration 10

g01316339

12. Use Tooling (A) and a suitable lifting device in order to remove piston (13) and housing (12) as a unit. The combined weight of piston (13) and housing (12) is approximately 112 kg (247 lb).
13. Remove nuts (11) from housing (12).
14. Separate housing (12) from piston (13).



15. Remove seal rings (14) and seal rings (15) from housing (12).

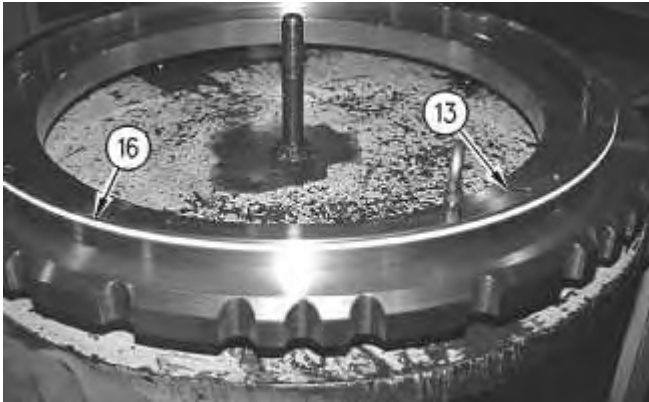


Illustration 12

g00439583

16. Remove seal ring (16) from piston (13).

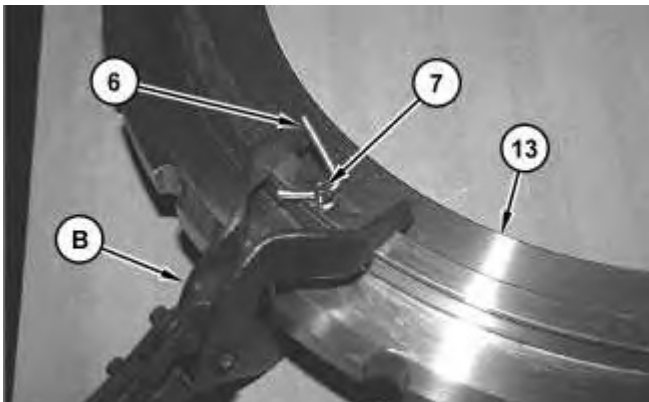


Illustration 13

g01317222

## **WARNING**

**Personal injury can result from being struck by parts propelled by a released spring force.**

**Make sure to wear all necessary protective equipment.**

**Follow the recommended procedure and use all recommended tooling to release the spring force.**

- 
17. Use Tooling (B) in order to compress the guide spring. Remove pin (6), guide (7), and the guide spring from piston (13). Repeat this step for the remaining pins (6), guides (7), and the guide springs.

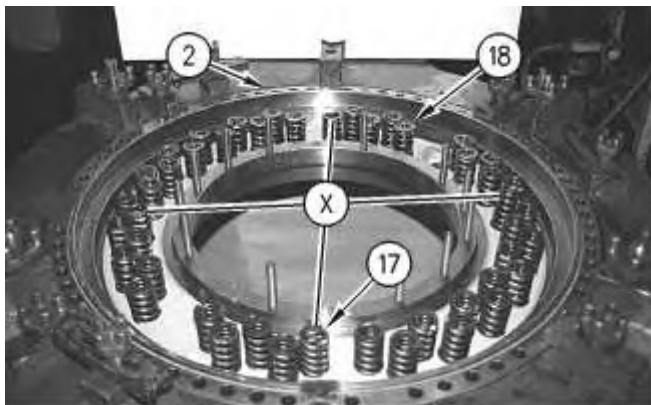


Illustration 14

g00439663

**Note:** There are four springs (17) at Location (X) that do not have inner springs (18). Use identification marks on the springs for installation purposes.

18. Remove springs (17) and inner springs (18) from anchor (2).

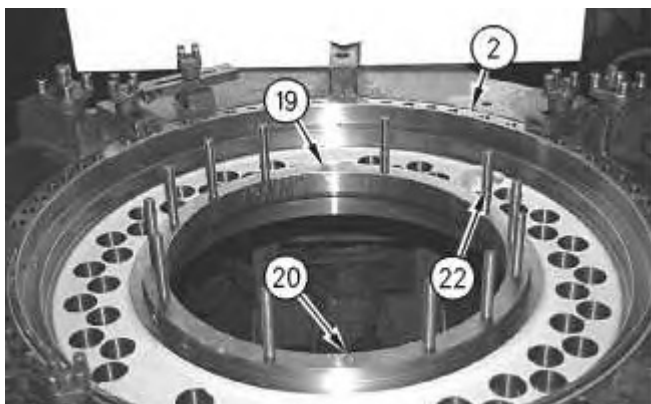


Illustration 15

g00439683

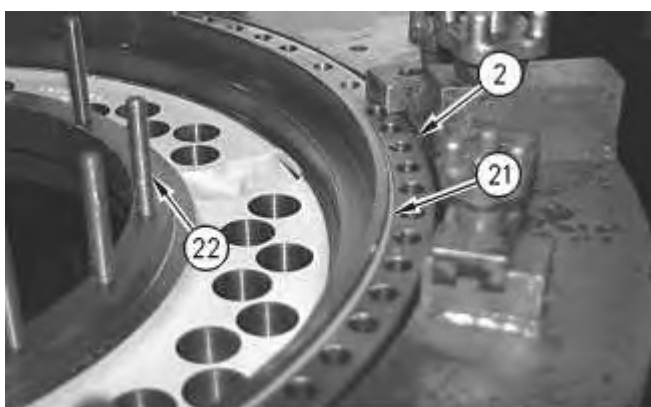


Illustration 16

g00439703

19. Remove O-ring seal (19), O-ring seal (20), and O-ring seal (21) from anchor (2).
20. Remove studs (22) from anchor (2).

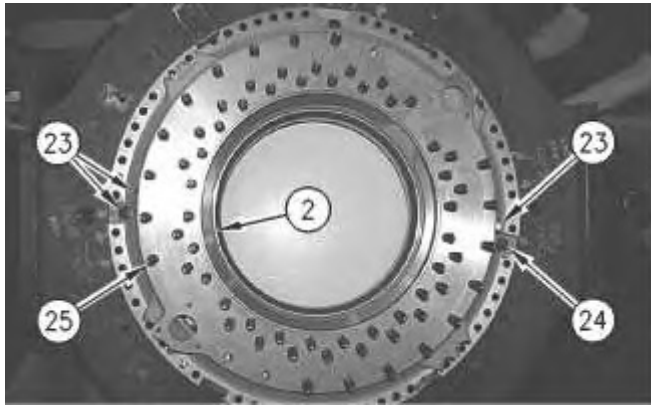


Illustration 17

g00439723

---

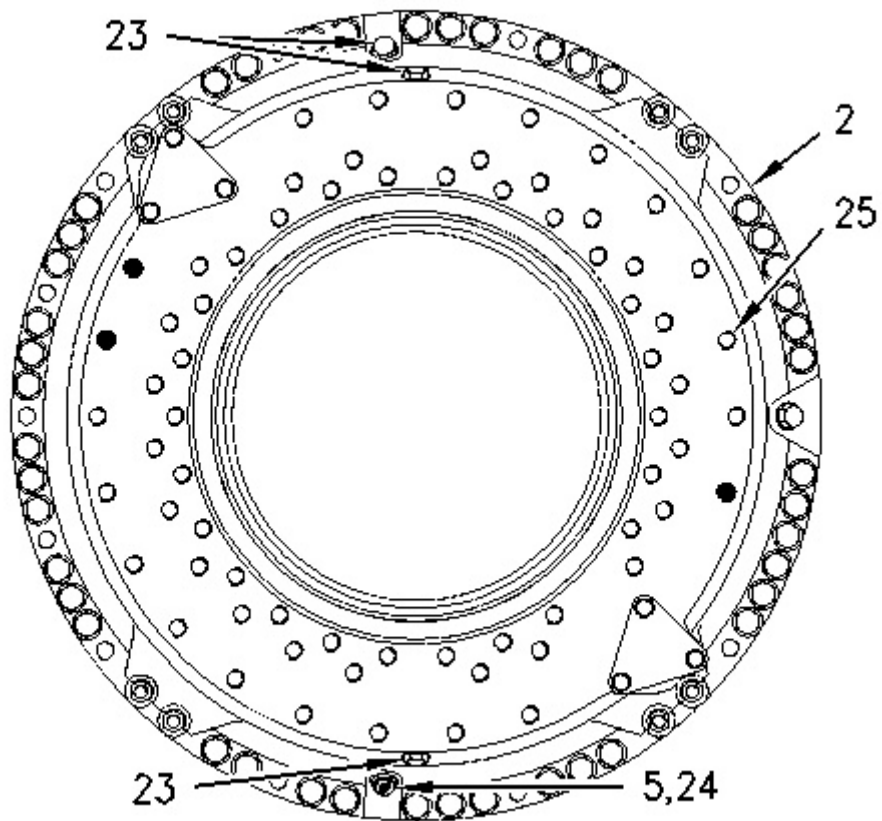


Illustration 18

g00439804

21. Remove plugs (23) and the O-ring seals. Remove purge screw (5) and adapter (24) from anchor (2).
  22. Remove studs (25) from anchor (2).
-

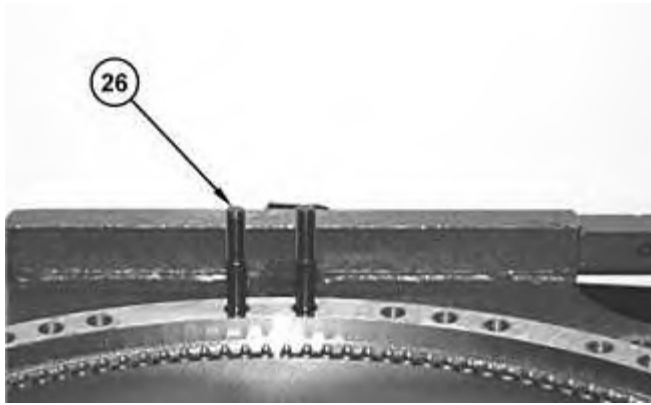


Illustration 19

g01317883

23. Remove studs (26).

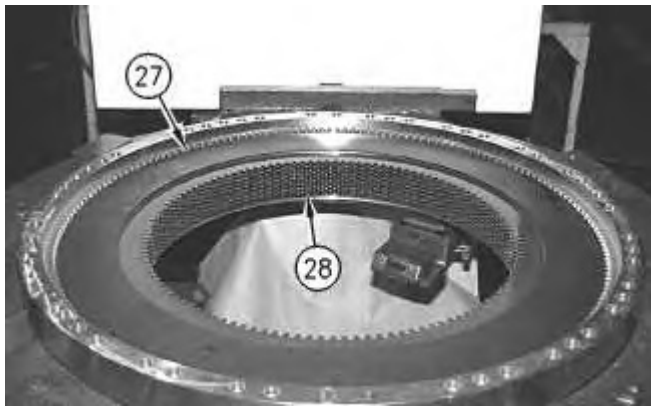


Illustration 20

g00440247

24. Remove dampers (27). Remove friction discs and plates (28) from the service brake assembly.

**Note:** Note the order and the quantity of the friction discs and the plates (28) for installation purposes.

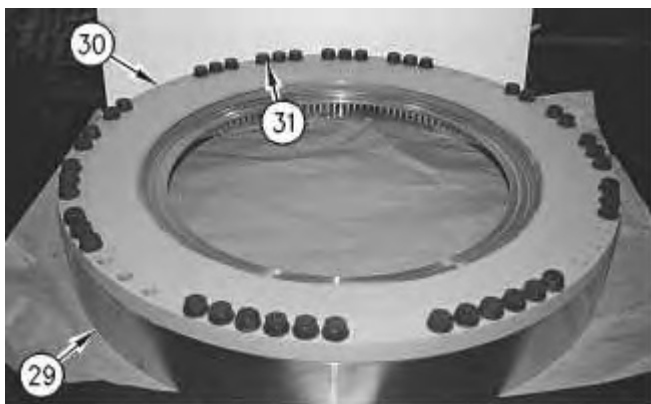


Illustration 21

g00440249

25. Turn over ring (29) and plate (30). The weight of ring (29) and plate (30) is approximately 200 kg (441 lb). Remove bolts (31) and plate (30) from ring (29). The weight of plate (30) is 110 kg (243 lb).

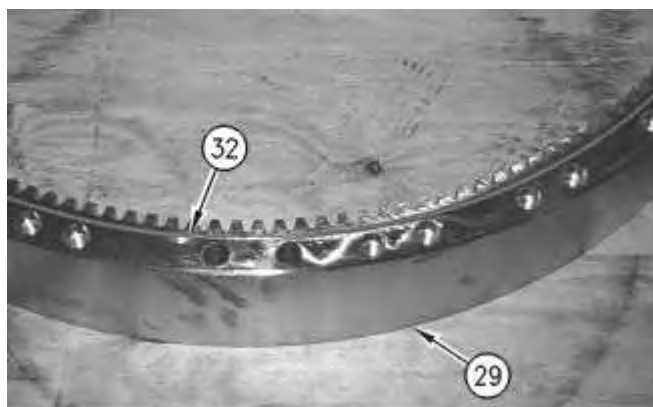


Illustration 22

g00440250

26. Remove O-ring seal (32) from ring (29).
-

Product: TRUCK

Model: 793F OEM TRUCK SXP

Configuration: 793F OEM Off-Highway Truck SXP00003-UP (MACHINE) POWERED BY C175-16 Engine

## Disassembly and Assembly 793F Off-Highway Truck Machine Systems

Media Number -KENR8579-09

Publication Date -01/10/2018

Date Updated -01/10/2018

i03668340

# Service and Parking Brake (Front) - Disassemble

SMCS - 4251-015; 4267-015

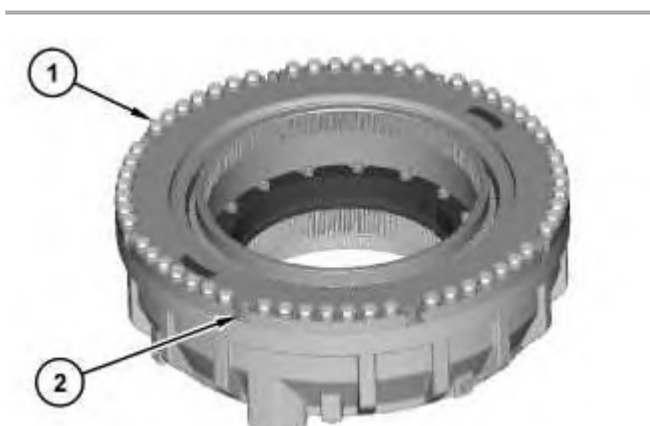
## Disassembly Procedure

Table 1

Required Tools			
Tool	Part Number	Part Description	Qty
A	138-7576	Link Bracket	2
B	-	(3/8 - 16) NC by 4 inch Forcing Bolt	2
C	4C-8358	Eyebolt	2
D	FT-0841	Spring Compressor	1

### Start By:

- a. Remove the front service and parking brake.





**Personal injury can result from being struck by parts propelled by a released spring force.**

**Make sure to wear all necessary protective equipment.**

**Follow the recommended procedure and use all recommended tooling to release the spring force.**

1. Remove bolts (1). Loosen nuts (2) by one half turn at a time until the spring tension has been released.
2. Remove nuts (2).



3. Use Tooling (A) in order to remove plate (3). The weight of plate (3) is approximately 113 kg (250 lb).



4. Remove damper assembly (4).

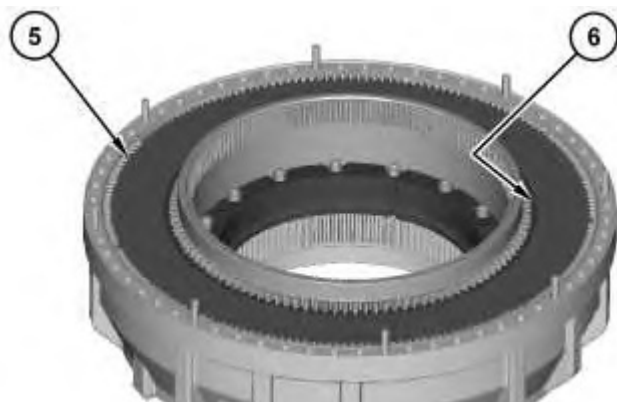


Illustration 4

5. Remove plates (5) and discs (6).

**Note:** Note the quantity and the order of plates (5) and discs (6) for installation purposes.

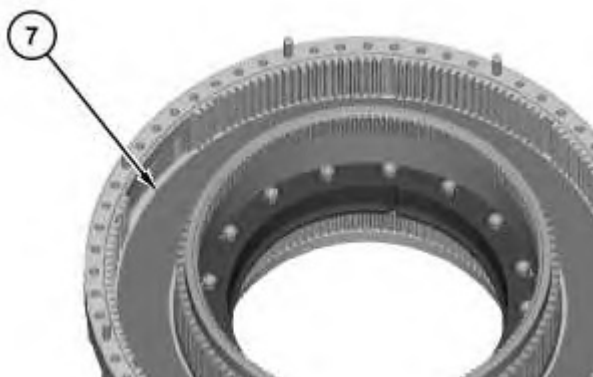
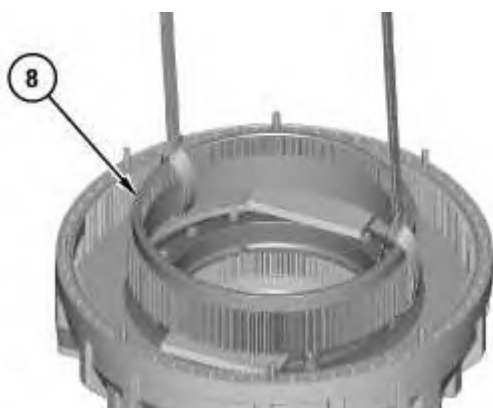


Illustration 5

6. Remove damper assembly (7).



7. Use a suitable pry bar in order to raise brake hub (8). Install suitable blocking and attach a suitable lifting device onto brake hub (8). The weight of brake hub (8) is approximately 68 kg (150 lb). Remove brake hub (8).

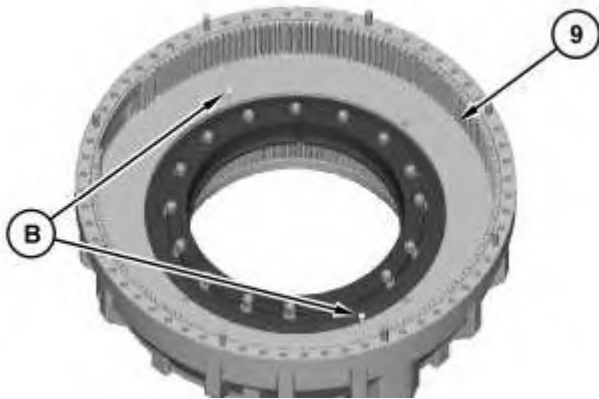


Illustration 7

8. Install Tooling (B) into piston (9). Tighten Tooling (B) evenly in order to compress the guide springs.

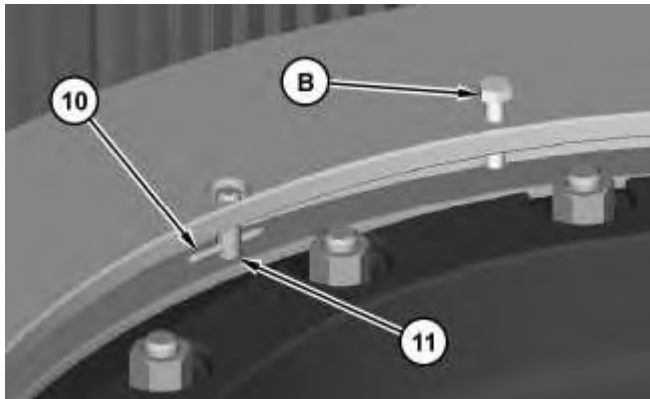


Illustration 8

9. Install pin (10) into guide (11). Repeat this step for the remaining guides (11).
  10. Remove Tooling (B).
-



**Suggest:**

**For more complete manuals. Please go to the home page.**

**<https://www.ebooklibonline.com>**

**If the above button click is invalid. Please download this document first, and then click the above link to download the complete manual.**

**Thank you so much for reading**

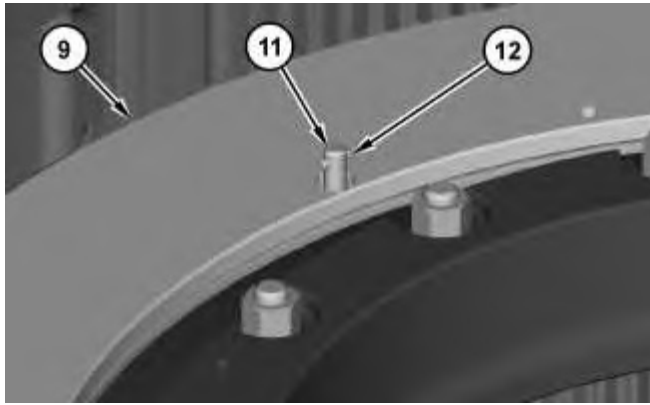


Illustration 9

g01423682

11. Press down piston (9). Remove pin (12) from guide (11).

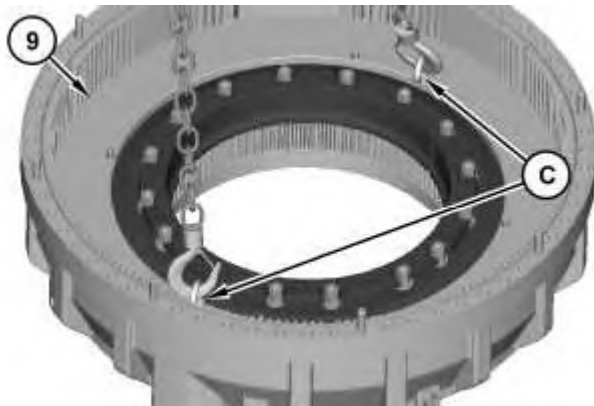


Illustration 10

g01423689

12. Use Tooling (C) and a suitable lifting device in order to remove piston (9). The weight of piston (9) is approximately 86 kg (190 lb).

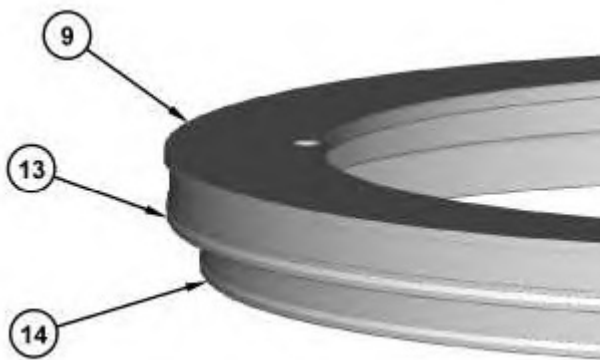


Illustration 11

g01423817

13. Remove the outer seal rings and the inner seal rings (13). Remove the outer seal rings and the inner seal rings (14) from piston (9).

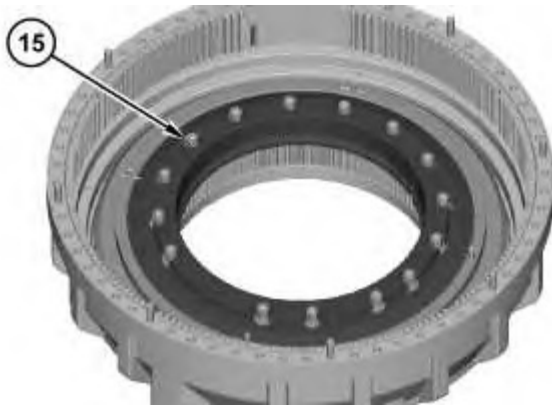


Illustration 12

g01423822

**! WARNING**

**Personal injury can result from being struck by parts propelled by a released spring force.**

**Make sure to wear all necessary protective equipment.**

**Follow the recommended procedure and use all recommended tooling to release the spring force.**

14. Loosen nuts (15) by one-half turn at a time until the spring tension has been released.
15. Remove nuts (15).



Illustration 13

g01423826

16. Use Tooling (C) and a suitable lifting device in order to remove piston (16) and housing (17). The weight of piston (16) and housing (17) is approximately 132 kg (291 lb).
17. Separate housing (17) from piston (16).

**<https://www.ebooklibonline.com>**

Hello dear friend!

Thank you very much for reading.

Enter the link into your browser.

The full manual is available for immediate download.

**<https://www.ebooklibonline.com>**