

Product: TRUCK

Model: 785D TRUCK DMC

Configuration: 785D OEM Off-Highway Truck DMC00001-UP (MACHINE) POWERED BY 3512 Engine

Disassembly and Assembly 3512C Engine for Caterpillar Built Machines

Media Number -KENR8117-03

Publication Date -01/09/2018

Date Updated -14/09/2018

i06694196

Crankshaft Rear Seal and Wear Sleeve - Install

SMCS - 1161-012; 7558-012

Installation Procedure For Seals 113-8432 and 113-8433

Table 1

Required Tools			
Tool	Part Number	Part Description	Qty
D	6V-4003 ⁽¹⁾	Seal Locator As	1
	2N-5006	Bolt	2
E	8T-3099	Seal Installer	1
F	9S-8858	Nut	1
G	-	Loctite 7649 Primer N	1
H	-	Loctite 620 Retaining Compound	1
J	452-6011	Multipurpose Grease	1
K	484-7863 ⁽²⁾	Tool As	1

⁽¹⁾ For installation of seals 113-8432 and 113-8433

⁽²⁾ For Installation of seals 436-1478 and 436-1479

NOTICE

Keep all parts clean from contaminants.

Contaminants may cause rapid wear and shortened component life.

NOTICE

Every time that the crankshaft seal is removed from the wear sleeve, a new wear sleeve and crankshaft seal must be installed.

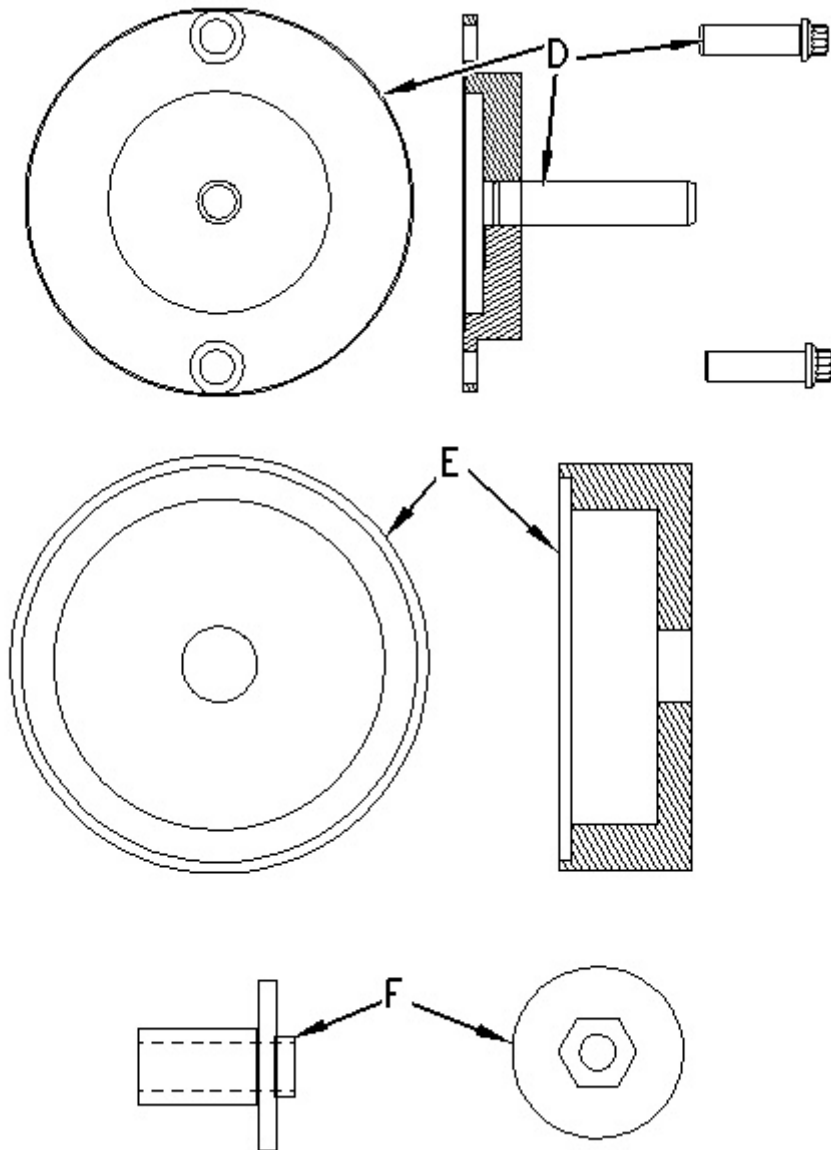


Illustration 1

g01005029

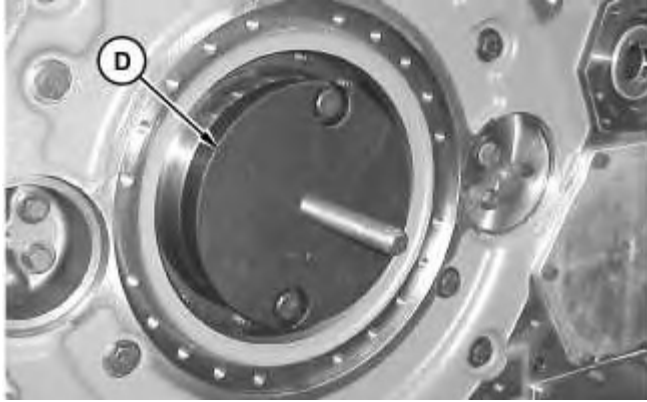


Illustration 2

g01207497

1. Attach Tooling (D) to the crankshaft.
2. Clean the outer diameter of the crankshaft and the inner diameter of the new wear sleeve with Tooling (G).
3. Apply Tooling (H) to the outer diameter of the crankshaft and the inner diameter of the new wear sleeve.

NOTICE

If the crankshaft seal and the wear sleeve come apart during installation, the crankshaft seal and the wear sleeve must be replaced.

Note: The front crankshaft seal and the wear sleeve cannot be interchanged with the rear crankshaft seal and the wear sleeve.

NOTICE

Do not place engine oil on the crankshaft seal for installation. Lubrication of the crankshaft seal can give a false indication of leakage at a later time.

<https://www.ebooklibonline.com>

Hello dear friend!

Thank you very much for reading.

Enter the link into your browser.

The full manual is available for immediate download.

<https://www.ebooklibonline.com>

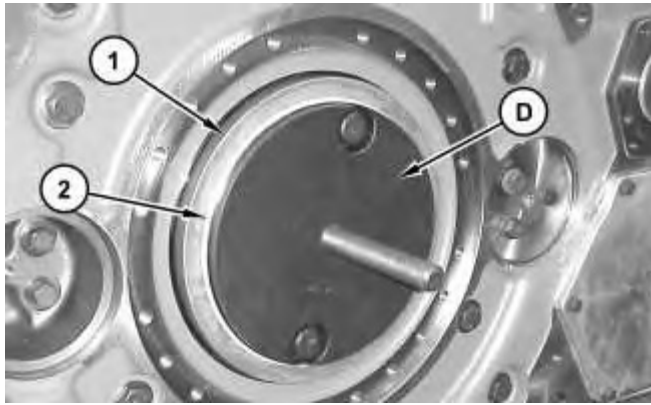


Illustration 3

g01207499

4. Place front seal (1) and wear sleeve (2) onto Tooling (D).

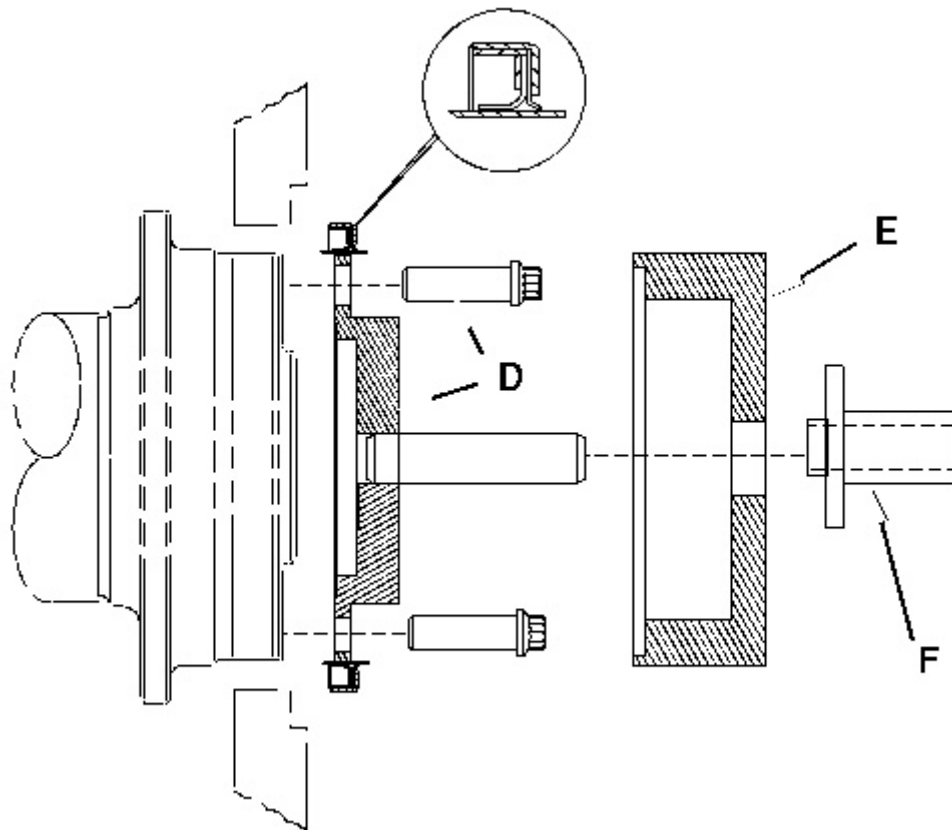


Illustration 4

g01051474

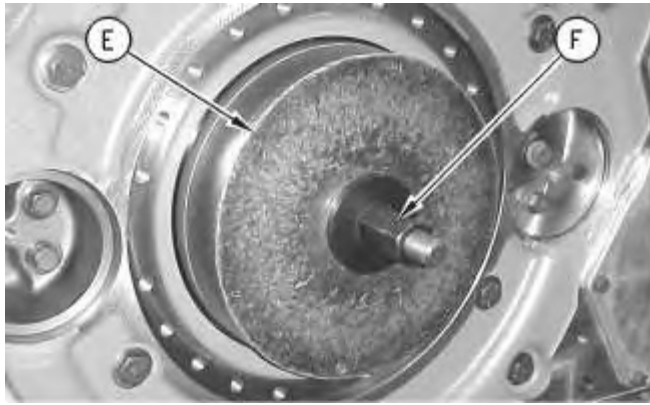


Illustration 5

g01005047

5. Place Tooling (E) onto Tooling (D). Apply Tooling (J) onto the face of the washer on Tooling (F). Install Tooling (F) onto Tooling (E). Tighten the nut until Tooling (E) contacts Tooling (D).
6. Remove the Tooling from the crankshaft.

Installation Procedure For Seals 436-1478 and 436-1479

NOTICE

Keep all parts clean from contaminants.

Contaminants may cause rapid wear and shortened component life.

NOTICE

Do not place engine oil on the crankshaft seal for installation.

Lubrication of the crankshaft seal can give a false indication of leakage at a later time.

Note: Ensure that there are no imperfections on the mating surfaces of the crankshaft, the installation tooling, or on the sealing surface of the crankshaft. Surface imperfections can distort the seal during installation and will cause the seal to malfunction.

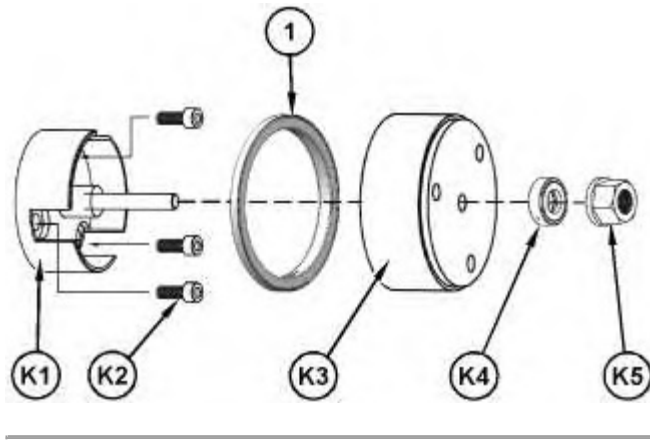


Illustration 6

g06042381

1. Using Tooling (K), install rear seal (1) as outlined in the following steps:
 - a. Install pilot (K1) to the crankshaft and install bolts (K2).
 - b. Position rear seal (1) onto pilot (K1).
 - c. Install driver (K3) onto the shaft of pilot (K1). Mark driver (K3) at the 12 O' Clock position. Install bearing (K4) and nut (K5).
 - d. Tighten nut (K5) until the base of driver (K3) contacts the skirt of pilot (K1). Loosen nut (K5) and rotate driver (K3) 180 degree. Retighten nut (K5) until driver (K3) contacts the skirt of pilot (K1).
2. Remove Tooling (K).

End By:

- a. Install the flywheel.
-

Product: TRUCK

Model: 785D TRUCK DMC

Configuration: 785D OEM Off-Highway Truck DMC00001-UP (MACHINE) POWERED BY 3512 Engine

Disassembly and Assembly 3512C Engine for Caterpillar Built Machines

Media Number -KENR8117-03

Publication Date -01/09/2018

Date Updated -14/09/2018

i02517352

Flywheel Housing - Remove

SMCS - 1157-011

Removal Procedure

Table 1

Required Tools			
Tool	Part Number	Part Description	Qty
A	8B-7548	Push-Puller Tool Group	1
	8B-7559	Adapter	2
	8H-0684	Ratchet Wrench	1
	8B-7561	Step Plate	3
B	138-7573	Link Bracket	2
C	169-5464	Quick Cure Primer	-

Start By:

- Remove the starting motors. Refer to Disassembly and Assembly, "Air Starting Motor - Remove" or Disassembly and Assembly, "Electric Starting Motor - Remove and Install".
- If the exhaust elbow is attached to the flywheel housing, remove the exhaust elbow and remove the bracket for the exhaust elbow. Refer to Disassembly and Assembly, "Exhaust Elbow - Remove and Install".
- Remove the engine oil pan. Refer to Disassembly and Assembly, "Engine Oil Pan - Remove".

NOTICE

Keep all parts clean from contaminants.

Contaminants may cause rapid wear and shortened component life.

1. Use the timing pins in order to properly time the engine. Refer to Testing and Adjusting, "Camshaft Timing". Refer to Testing and Adjusting, "Finding the Top Center Position for the No. 1 Piston".
2. Remove the crankshaft rear seal and the wear sleeve. Refer to Disassembly and Assembly, "Crankshaft Rear Seal and Wear Sleeve - Remove".
3. Remove the camshaft covers and gaskets.
4. Remove the bolts and plates from the camshafts.

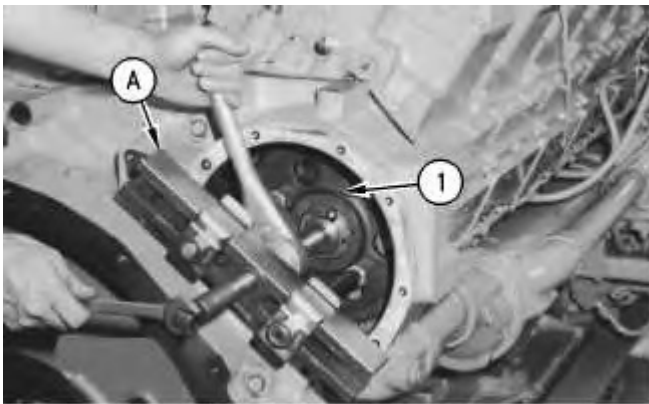


Illustration 1

g00912881

5. Use Tooling (A) in order to remove camshaft drive gears (1).

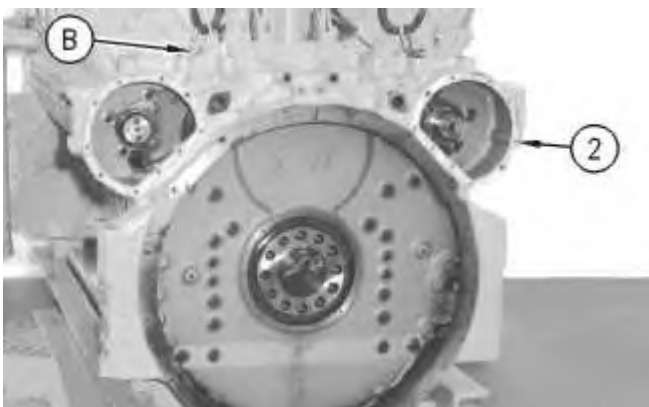


Illustration 2

g00912883

6. Install Tooling (B) into flywheel housing (2). Attach a suitable lifting device to Tooling (B). The weight of flywheel housing (2) is approximately 251 kg (553 lb).
7. Remove the bolts and remove flywheel housing (2) and the gasket.

8. After removing flywheel housing (2), clean the mating surface of the cylinder block and the mating surface of the flywheel housing with Tooling (C). If necessary, use a gasket scraper and a solvent in order to remove any residual gasket material. Both mating surfaces must be clean, dry, and free of any oil before installation.
-

Product: TRUCK

Model: 785D TRUCK DMC

Configuration: 785D OEM Off-Highway Truck DMC00001-UP (MACHINE) POWERED BY 3512 Engine

Disassembly and Assembly 3512C Engine for Caterpillar Built Machines

Media Number -KENR8117-03

Publication Date -01/09/2018

Date Updated -14/09/2018

i06304711

Flywheel Housing - Install

SMCS - 1157-012

Installation Procedure

Table 1

Required Tools			
Tool	Part Number	Part Description	Qty
B	138-7573	Link Bracket	2
D	-	Guide Bolts 5/8 - 11 NC by 8 inch	2
E	- ⁽¹⁾	Loctite 5127	-

⁽¹⁾ EAME

NOTICE

Keep all parts clean from contaminants.

Contaminants may cause rapid wear and shortened component life.

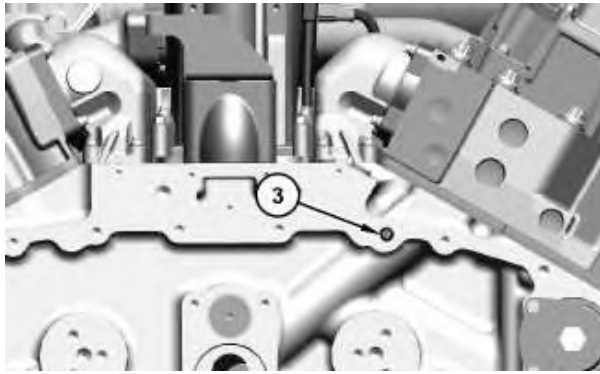


Illustration 1

g03896638

Note: Refer to Engine News 27 March 2006, "Sealing and Installing the Flywheel Housing" for more information.

1. Install O-ring seal (3) on the dowel.

Note: If the dowel needs to be replaced, the installed height is 6.0 ± 0.5 mm (0.24 ± 0.02 inch).

2. Ensure that the mating surface of the flywheel housing and the engine block are clean. Both mating surfaces must be clean, dry, and free of any oil before Tooling (E) is applied.

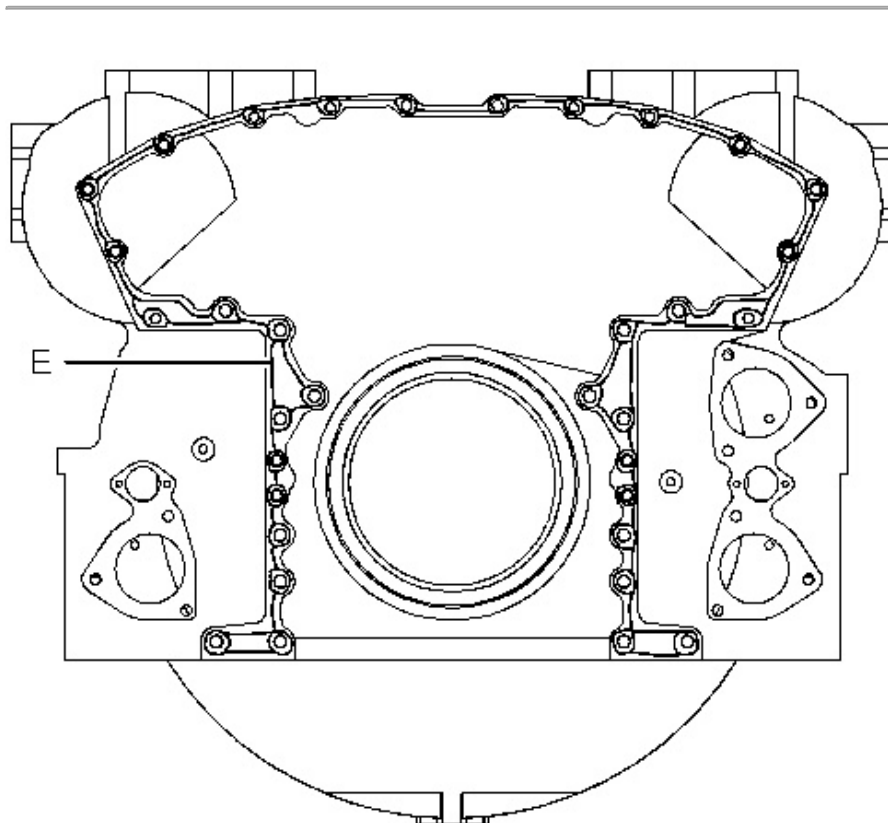


Illustration 2

g01259519

3. Apply a 6.0 mm (0.25 inch) bead of Tooling (E) to the mating surface of the flywheel housing. Refer to Illustration 2.

4. Install Tooling (D) into the cylinder block.

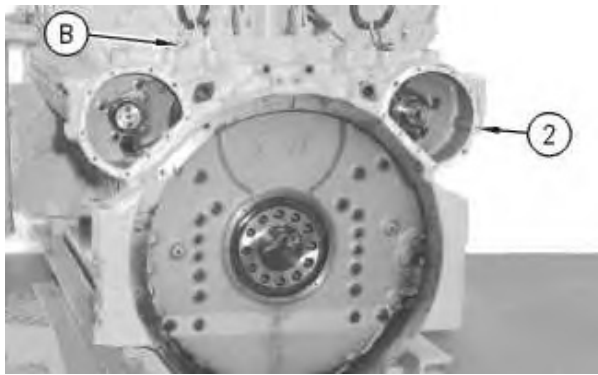


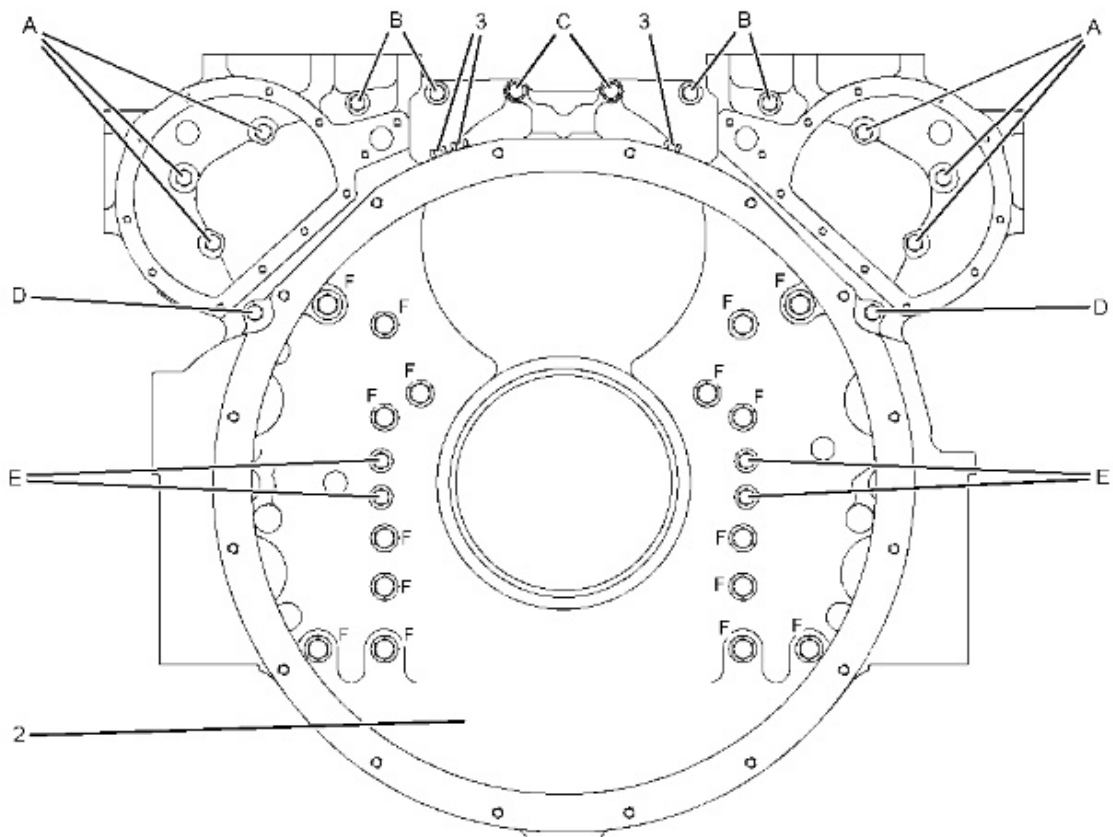
Illustration 3

g00912883

5. Install Tooling (B) onto flywheel housing (2) . Attach a suitable lifting device to Tooling (B) . The weight of flywheel housing (2) is approximately 251 kg (553 lb).
6. Lift flywheel housing (2) into position onto Tooling (D) .

Note: For the correct positions of the bolts, see Illustration 4 or Illustration 5.

7. Install the bolts and the hard washers that secure flywheel housing (2) to the cylinder block. Remove Tooling (D) and install the remaining bolts and the remaining hard washers.



- (A) 1/2 - NC
- (B) 1/2 - NC
- (C) 1/2 - NC
- (D) 1/2 - NC
- (E) 1/2 - NC
- (F) 5/8 - NC

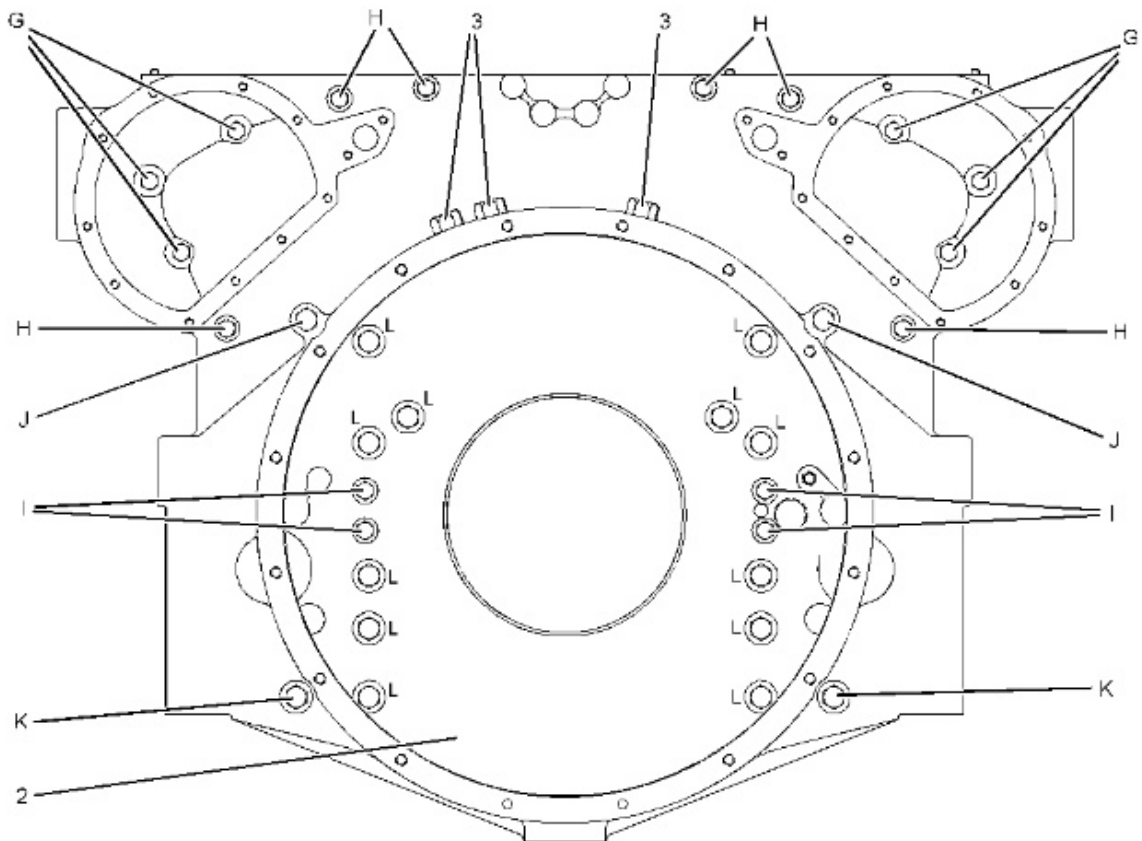


Illustration 5

- (G) 1/2 - NC
- (H) 1/2 - NC
- (I) 1/2 - NC
- (J) 5/8 - NC
- (K) 5/8 - NC
- (L) 5/8 - NC

8. Tighten the bolts in flywheel housing (2) evenly. Tighten the 1/2 - NC bolts to a torque of 135 ± 20 N·m (100 ± 15 lb ft). Tighten the 5/8 - NC bolts to a torque of 270 ± 40 N·m (200 ± 30 lb ft). The torque for plugs (3) is 70 ± 15 N·m (50 ± 11 lb ft).

9. Install the crankshaft rear seal and the wear sleeve. Refer to Disassembly and Assembly, "Crankshaft Rear Seal and Wear Sleeve - Install".
10. Place the camshaft timing pins in position. Place the timing bolt in the flywheel with the No. 1 piston at the top center position on the compression stroke.



Illustration 6

g01226902

11. Use the following procedure in order to install camshaft drive gears (1) .
 - a. Clean the taper of the camshaft and the tapered bore of the camshaft gear with a lint free cloth saturated with solvent to remove oil. Clean the parts again with a lint free alcohol wipe in order to remove any residue. The alcohol wipe will dirty after cleaning the parts. Clean the parts again with a lint free alcohol wipe until no residue is left on the alcohol wipe.

Note: The taper of the camshaft and the tapered bore of the camshaft gear must be clean, dry, and free of residue before assembly.
 - b. Ensure that the camshaft timing pins and the timing pin for the flywheel are installed.
 - c. Place camshaft drive gears (1) in position. Remove the backlash by rotating the gears in the opposite direction of camshaft rotation.

Note: For "Standard Rotation" engines, turn the camshaft drive gears COUNTERCLOCKWISE. For "Reverse Rotation" engines, turn the camshaft drive gears CLOCKWISE.
 - d. Install the bolt and the plate for the camshafts.
 - e. Install the bolt and the timing ring for the camshafts. Ensure that the hole in the timing ring is properly seated on the locating pin.
 - f. Tighten the bolts to a torque of 360 N·m (265 lb ft).
 - g. Place a Mark on the bolts.
 - h. Place a driver against the retaining plate of the camshaft gear. Strike the driver solidly with a hammer 3 to 4 times.
 - i. Tighten the bolts again to a torque of 360 N·m (265 lb ft).
 - j. Repeat Steps 11.h and 11.i until the Mark has turned at least 90 degrees.
12. Remove the timing pins from the camshafts and the flywheel.

13. Install the gaskets and camshaft covers.

End By:

- a. Install the engine oil pan. Refer to Disassembly and Assembly, "Engine Oil Pan - Install".
 - b. If the exhaust elbow was removed, install the exhaust elbow. Refer to Disassembly and Assembly, "Exhaust Elbow - Remove and Install".
 - c. Install the starting motors. Refer to Disassembly and Assembly, "Air Starting Motor - Install" or Disassembly and Assembly, "Electric Starting Motor - Remove and Install".
-

Product: TRUCK

Model: 785D TRUCK DMC

Configuration: 785D OEM Off-Highway Truck DMC00001-UP (MACHINE) POWERED BY 3512 Engine

Disassembly and Assembly 3512C Engine for Caterpillar Built Machines

Media Number -KENR8117-03

Publication Date -01/09/2018

Date Updated -14/09/2018

i02928334

Engine Oil Sequence Valves - Remove and Install

SMCS - 1332-010

Removal Procedure

Start By:

- a. Remove the front drive housing. Refer to Disassembly and Assembly, "Front Drive Housing - Remove and Install" or Disassembly and Assembly, "Drive Housing (Front) - Remove and Install".
- b. Remove the flywheel housing. Refer to Disassembly and Assembly, "Flywheel Housing - Remove".

NOTICE

Keep all parts clean from contaminants.

Contaminants may cause rapid wear and shortened component life.

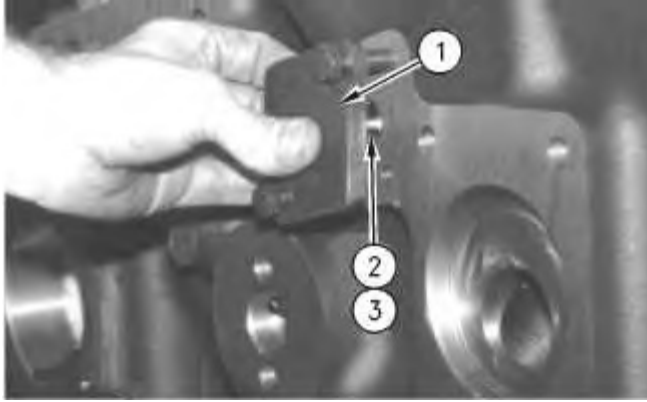


Illustration 1

g00912963

WARNING

Personal injury can result from parts and/or covers under spring pressure.

Spring force will be released when covers are removed.

Be prepared to hold spring loaded covers as the bolts are loosened.

1. Remove cover (1) from the front of the cylinder block.
2. Remove plunger assembly (2) and spring (3) from the front of the cylinder block.

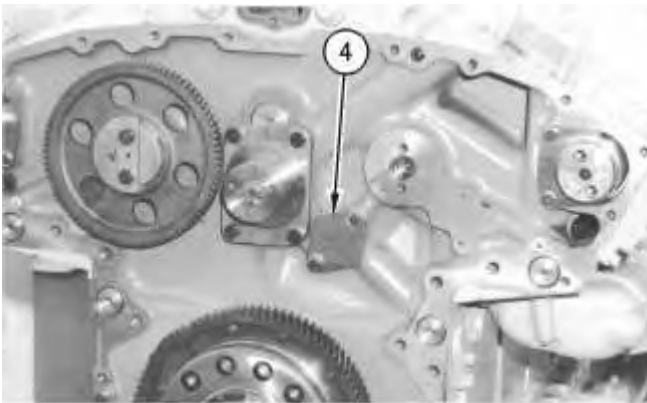


Illustration 2

g00912966

WARNING

Personal injury can result from parts and/or covers under spring pressure.

Spring force will be released when covers are removed.

Be prepared to hold spring loaded covers as the bolts are loosened.

3. Remove the idler gear and the shaft. Remove cover (4) on the rear of the cylinder block.

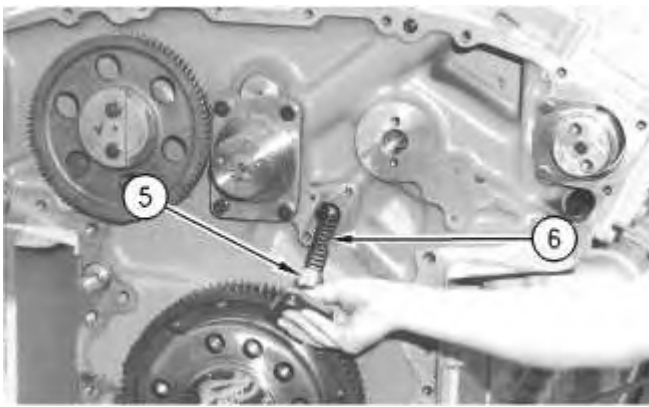


Illustration 3

g00912969

4. Remove plunger assembly (5) and spring (6) from the rear of the cylinder block.

Installation Procedure

NOTICE

Keep all parts clean from contaminants.

Contaminants may cause rapid wear and shortened component life.

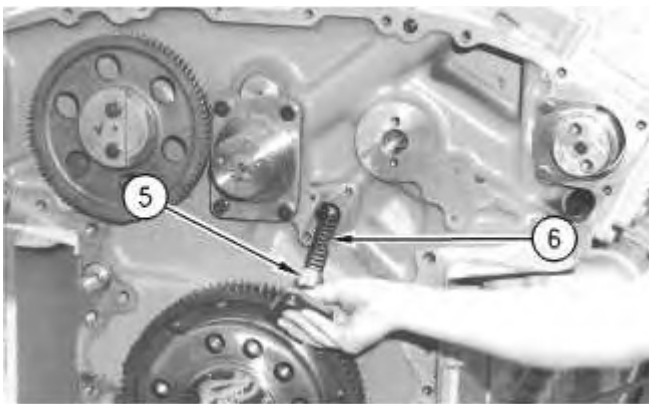


Illustration 4

g00912969



Suggest:

For more complete manuals. Please go to the home page.

<https://www.ebooklibonline.com>

If the above button click is invalid. Please download this document first, and then click the above link to download the complete manual.

Thank you so much for reading

1. Place clean engine oil on spring (6) and plunger assembly (5).
2. Install spring (6) and plunger assembly (5).

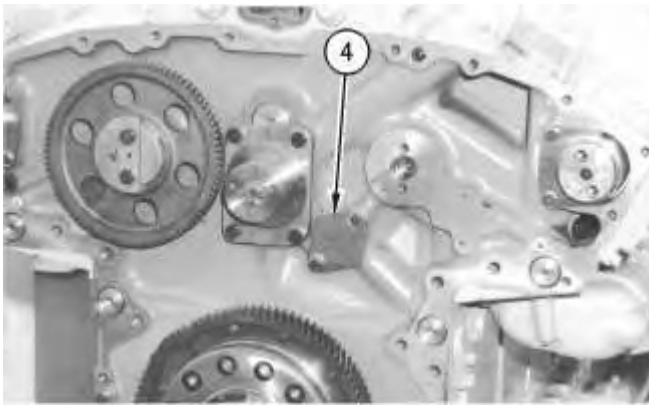


Illustration 5

g00912966

 **WARNING**

Improper assembly of parts that are spring loaded can cause bodily injury.

To prevent possible injury, follow the established assembly procedure and wear protective equipment.

3. Install cover (4) on the rear of the cylinder block. Install the idler gear and the shaft.

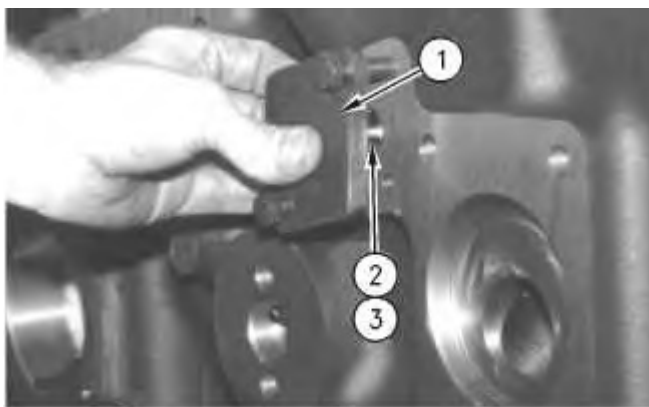


Illustration 6

g00912963

 **WARNING**

Improper assembly of parts that are spring loaded can cause bodily injury.

To prevent possible injury, follow the established assembly procedure and wear protective equipment.

4. Place clean engine oil on spring (3) and plunger assembly (2).
5. Install spring (3) and plunger assembly (2) on the front of the cylinder block.
6. Install cover (1) on the front of the cylinder block.

End By:

- a. Install the flywheel housing. Refer to Disassembly and Assembly, "Flywheel Housing - Install".
 - b. Install the front drive housing. Refer to Disassembly and Assembly, "Front Drive Housing - Remove and Install" or Disassembly and Assembly, "Drive Housing (Front) - Remove and Install".
-

<https://www.ebooklibonline.com>

Hello dear friend!

Thank you very much for reading.

Enter the link into your browser.

The full manual is available for immediate download.

<https://www.ebooklibonline.com>