

Product: TRUCK

Model: 777D TRUCK FKR

Configuration: 777D Off-Highway Truck FKR00001-UP (MACHINE) POWERED BY 3508B Engine

Disassembly and Assembly 777D and 777E Off-Highway Truck

Media Number -REN8432-08

Publication Date -01/10/2018

Date Updated -02/10/2018

i02717936

Service Brake (Front Oil Cooled) - Disassemble - If Equipped

SMCS - 4251-015-FR

Disassembly Procedure

Table 1

Required Tools			
Tool	Part Number	Part Description	Qty
A	138-7573	Link Bracket	2
B	FT-0947	Spring Compressor	1
C	138-7574	Link Bracket	1
D	138-7574	Link Bracket	2

Start By:

- a. Remove the front oil cooled brake. Refer to Disassembly and Assembly, "Service Brake (Front Oil Cooled) - Remove".



1. Remove bolts (1) that hold plate (2) to ring (3).

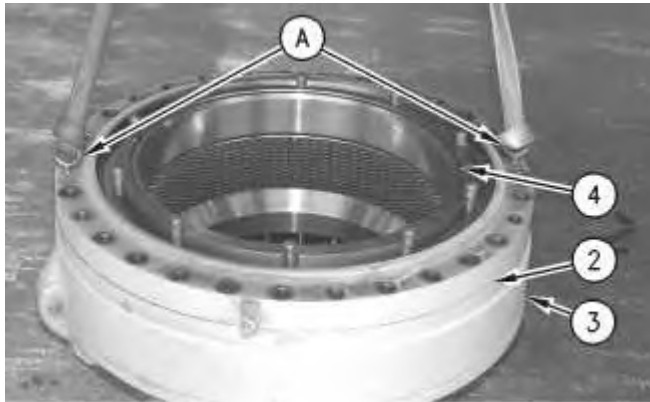


Illustration 2

2. Install Tooling (A) and a suitable lifting device in plate (2). Remove plate (2) and piston (4) from ring (3) as an assembly. The weight of the assembly is approximately 59 kg (130 lb).

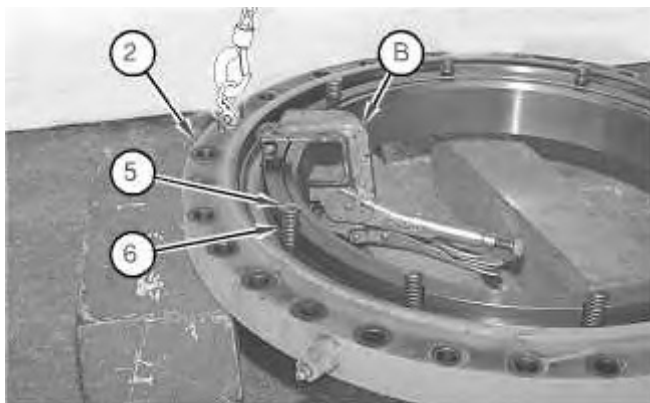


Illustration 3

! WARNING

Sudden release of spring force can cause injury.

To prevent the possibility of injury, follow the procedure to relieve the spring pressure.

3. Position plate (2) on suitable blocking. Use Tooling (B) in order to compress spring (6) until the spring pin (not shown) can be removed. Remove guide (5) and spring (6) from plate (2). Repeat this procedure for the remaining nine springs, guides, and spring pins.

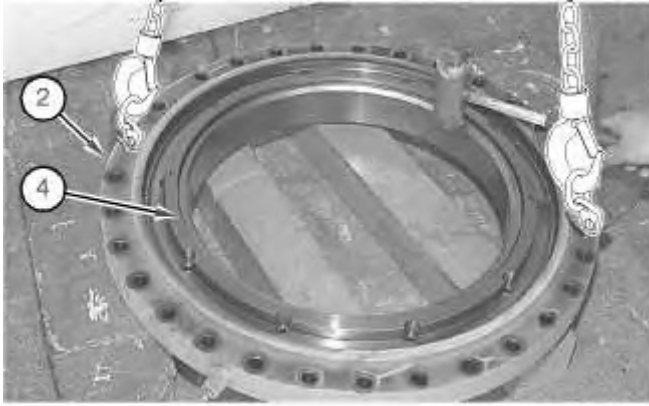


Illustration 4

g01034091

4. Lift plate (2) and use a soft faced hammer in order to separate the plate from piston (4). The weight of the plate is approximately 44 kg (96 lb).

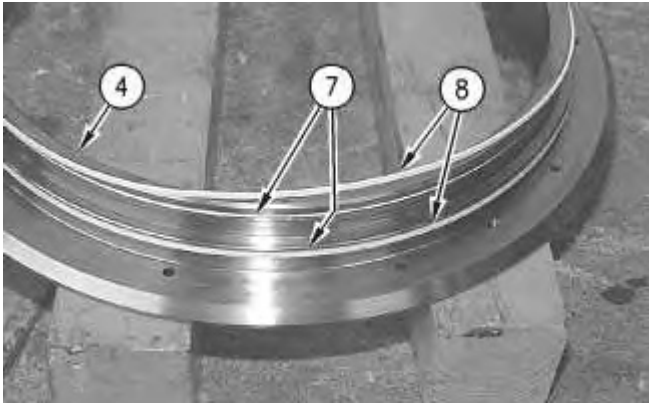


Illustration 5

g00648540

5. Remove seal rings (8) and (7) from piston (4).

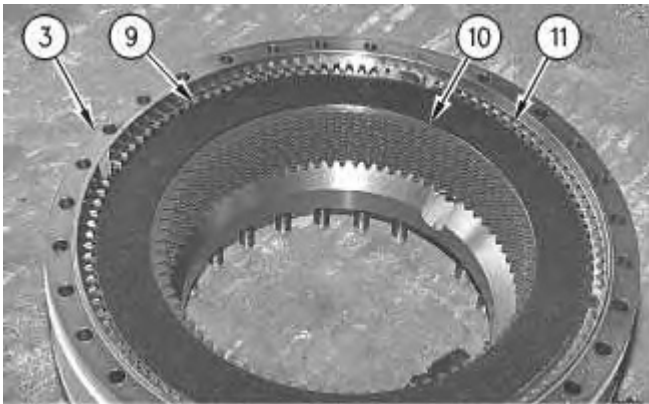


Illustration 6

g00648542

6. Remove damper (9) from ring (3). Remove 12 friction discs (10) and 12 plates (11) from ring (3) in alternating order.

<https://www.ebooklibonline.com>

Hello dear friend!

Thank you very much for reading.

Enter the link into your browser.

The full manual is available for immediate download.

<https://www.ebooklibonline.com>

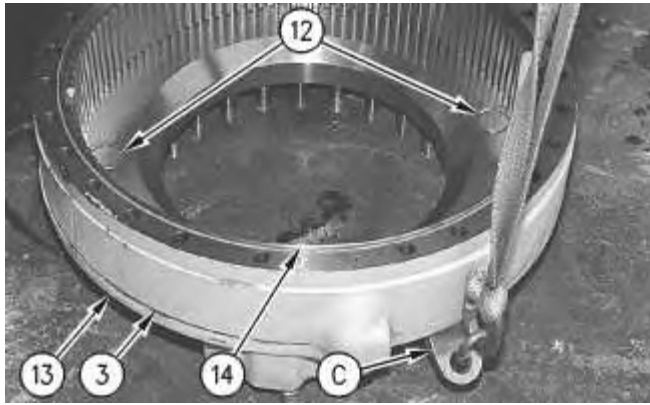


Illustration 7

g00648543

7. Remove spacers (12) and O-ring seal (14) from ring (3).
8. Attach Tooling (C) and a suitable lifting device to brake anchor (13). Turn over ring (3) and brake anchor (13) as an assembly. The weight of the assembly is approximately 120 kg (265 lb).

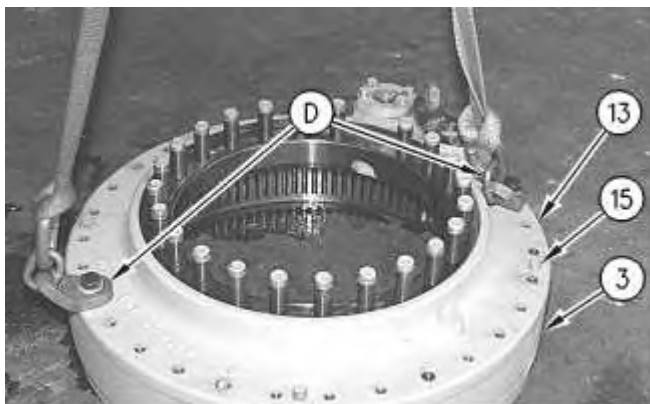
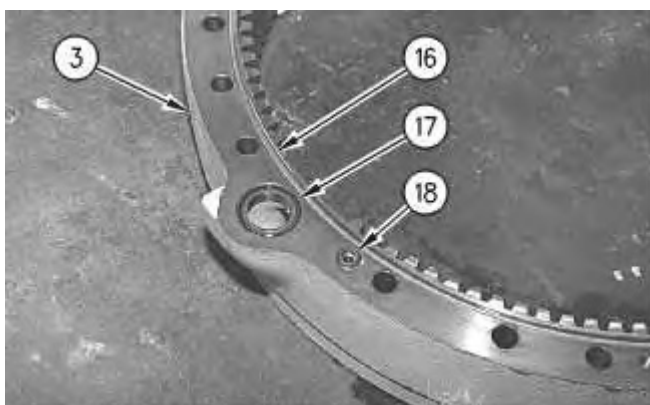


Illustration 8

g00648545

9. Label the location of bolts (15) for installation purposes. Remove bolts (15).
10. Attach Tooling (D) and a suitable lifting device to brake anchor (13). Use Tooling (D) in order to remove brake anchor (13) from ring (3). The weight of the brake anchor is approximately 58 kg (128 lb).



11. Remove O-ring seal (16) and seal (17) from ring (3). Remove four O-ring seals (18) from ring (3).
-

Product: TRUCK

Model: 777D TRUCK FKR

Configuration: 777D Off-Highway Truck FKR00001-UP (MACHINE) POWERED BY 3508B Engine

Disassembly and Assembly 777D and 777E Off-Highway Truck

Media Number -REN8432-08

Publication Date -01/10/2018

Date Updated -02/10/2018

i02717937

Service Brake (Front Oil Cooled) - Assemble - If Equipped

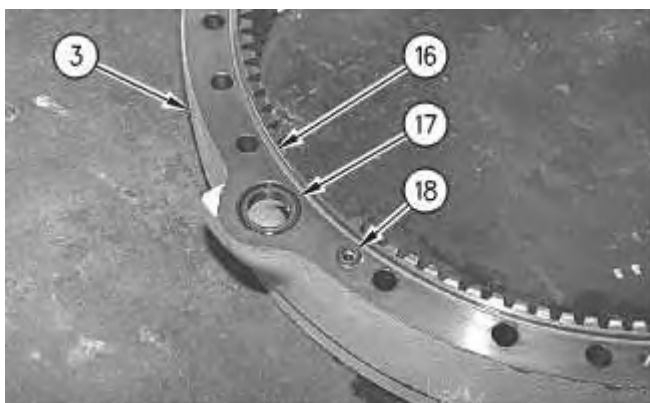
SMCS - 4251-016-FR

Assembly Procedure

Table 1

Required Tools			
Tool	Part Number	Part Description	Qty
A	138-7573	Link Bracket	2
B	FT-0947	Spring Compressor	1
C	138-7574	Link Bracket	1
D	138-7574	Link Bracket	2

Note: Check all of the O-ring seals and the components for wear or for damage. Replace the components, if necessary. Lubricate all of the O-ring seals lightly with the lubricant that is being sealed. Clean all of the components with a cloth that is free of loose material (lint).



1. Install O-ring seal (16) and seal (17) on ring (3). Install four O-ring seals (18) on ring (3).

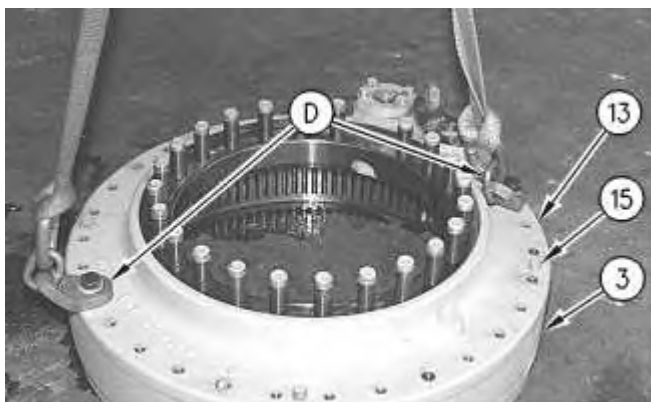


Illustration 2

2. Attach Tooling (D) and a suitable lifting device to brake anchor (13). Position brake anchor (13) on ring (3). The weight of the brake anchor is approximately 58 kg (128 lb). Install bolts (15) that hold brake anchor (13) to ring (3).



Illustration 3

3. Attach Tooling (C) and a suitable lifting device to brake anchor (13). Turn over brake anchor (13) and ring (3) as an assembly. The weight of the assembly is approximately 120 kg (265 lb).
-



Illustration 4

g00648556

4. Install spacers (12) and O-ring seal (14) in ring (3).
5. Lubricate each friction disc (10) with a light coat of the oil that is used in the service brake. Install plate (11) in ring (3). Install friction discs (10) and the remaining 11 plates (11) in alternating order.

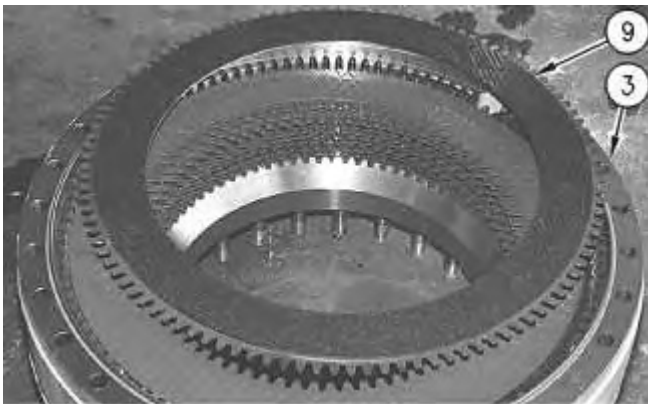


Illustration 5

g00648557

6. Install damper (9) in ring (3) with the friction material upward, as shown.

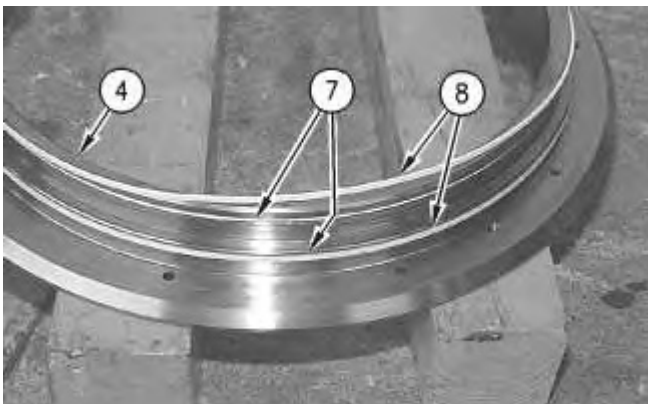


Illustration 6

g00648540

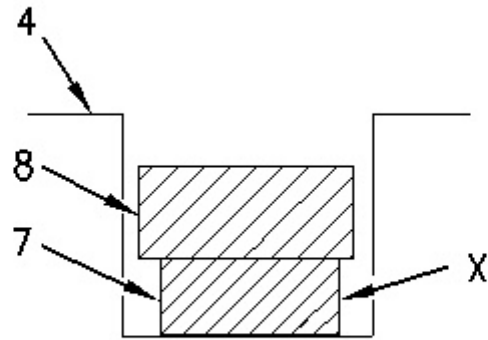


Illustration 7
View of an incorrectly installed seal ring (7)

g00713619

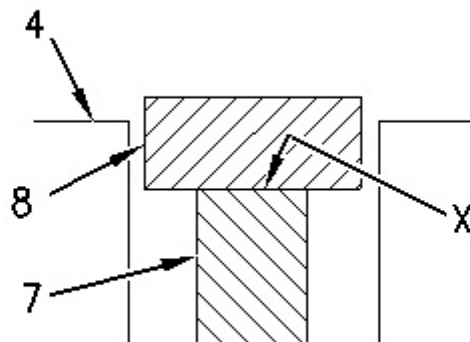


Illustration 8
View of a correctly installed seal ring (7)

g00713620

Note: Be sure that yellow side (X) of seal ring (7) is facing outward.

7. Install ring seals (7) and (8) on piston (4).
-

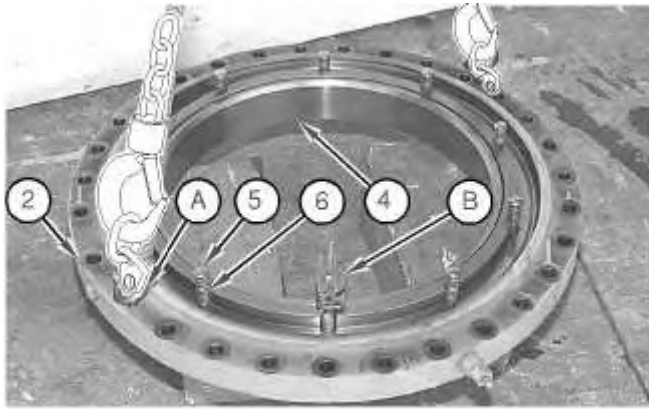


Illustration 9

g01034152

8. Install Tooling (A) and a suitable lifting device in plate (2). Install plate (2) on piston (4). The weight of plate (2) is approximately 44 kg (96 lb).
9. Install springs (6) and guides (5) on plate (2). Use Tooling (B) in order to compress spring (6) until the spring pin (not shown) can be installed. Repeat this procedure for the remaining nine springs, guides, and spring pins.

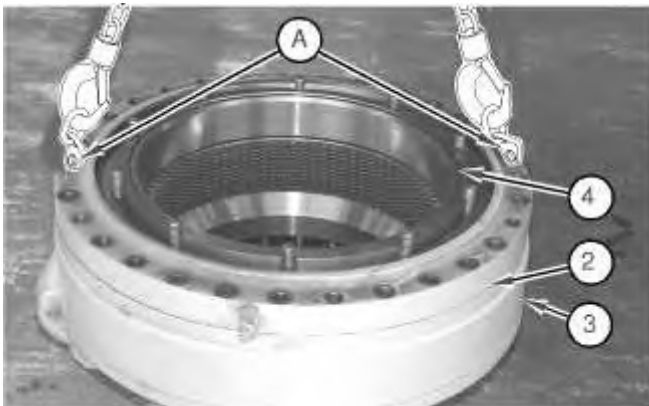


Illustration 10

g01034155

10. Use Tooling (A) in order to position plate (2) and piston (4) on ring (3) as an assembly. The weight of the assembly is approximately 59 kg (130 lb).





Improper assembly of parts that are spring loaded can cause bodily injury.

To prevent possible injury, follow the established assembly procedure and wear protective equipment.

11. Install bolts (1) and the washers that hold plate (2) to ring (3). Tighten the bolts to a torque of 300 ± 15 N·m (221 ± 11 lb ft).

End By:

- a. Install the front oil cooled brake. Refer to Disassembly and Assembly, "Service Brake (Front Oil Cooled) - Install".
-

Product: TRUCK

Model: 777D TRUCK FKR

Configuration: 777D Off-Highway Truck FKR00001-UP (MACHINE) POWERED BY 3508B Engine

Disassembly and Assembly 777D and 777E Off-Highway Truck

Media Number -REN8432-08

Publication Date -01/10/2018

Date Updated -02/10/2018

i02717938

Service Brake (Front Oil Cooled) - Install - If Equipped

SMCS - 4251-012-FR

Installation Procedure

Table 1

Required Tools			
Tool	Part Number	Part Description	Qty
A	138-7574	Link Bracket	2

Note: Check all of the O-ring seals and the components for wear or for damage. Replace the components, if necessary. Lubricate all of the O-ring seals lightly with the lubricant that is being sealed. Clean all of the components with a cloth that is free of loose material (lint).

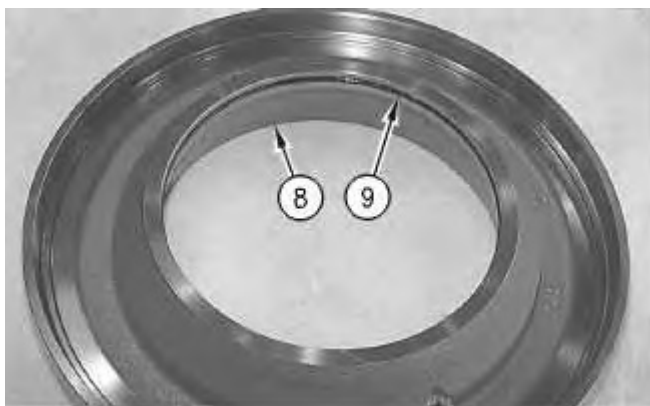


Illustration 1

g00648531

1. Install O-ring seal (9) in retainer (8).

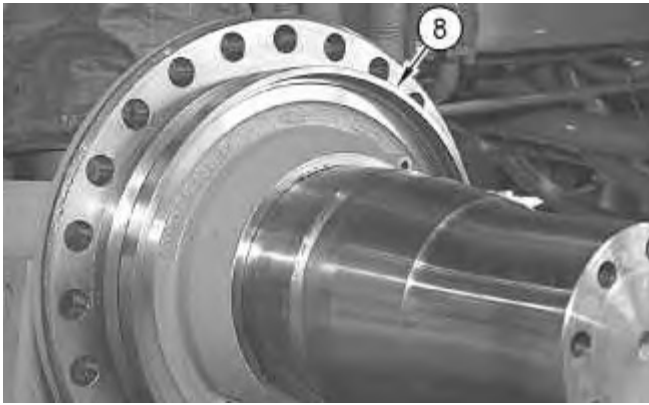


Illustration 2

g00648529

2. Position retainer (8) on the spindle. The weight of the retainer is approximately 13 kg (29 lb).

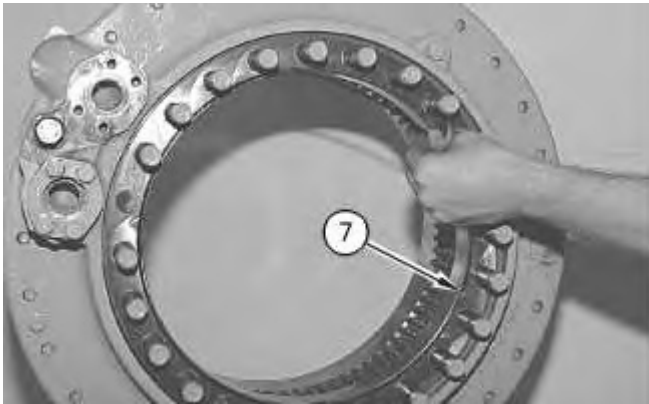
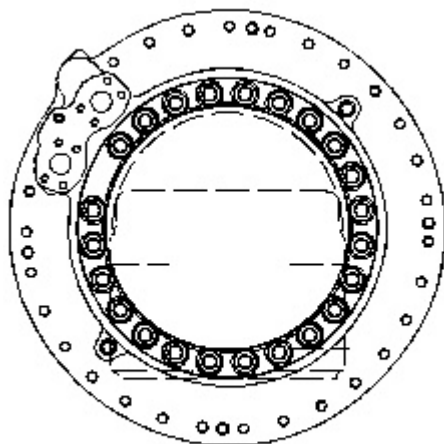


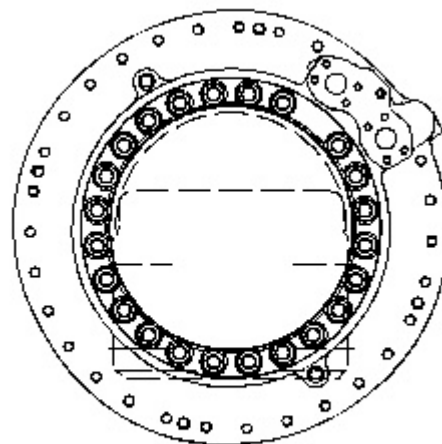
Illustration 3

g00648527

3. Install O-ring seal (7).



Inside Left Hand View



Inside Right Hand View

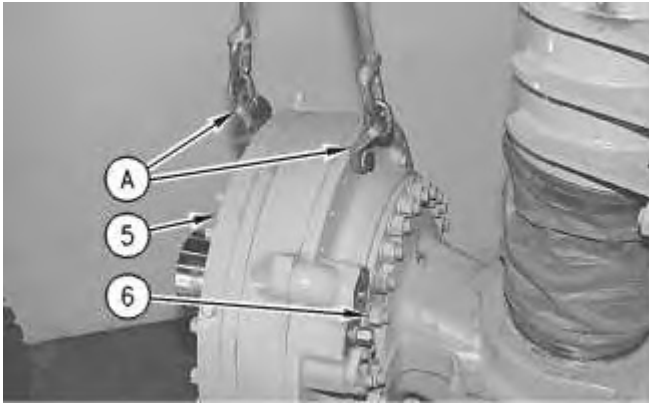


Illustration 5

g00648525

4. Attach Tooling (A) and a suitable lifting device to service brake (5). Lift service brake (5) into position on the spindle. The weight of the service brake is approximately 263 kg (580 lb).
5. Install 23 full nuts (6) and the hard washers that hold service brake (5) to the spindle. Tighten the full nuts to a torque of $790 \pm 40 \text{ N}\cdot\text{m}$ ($583 \pm 30 \text{ lb ft}$).

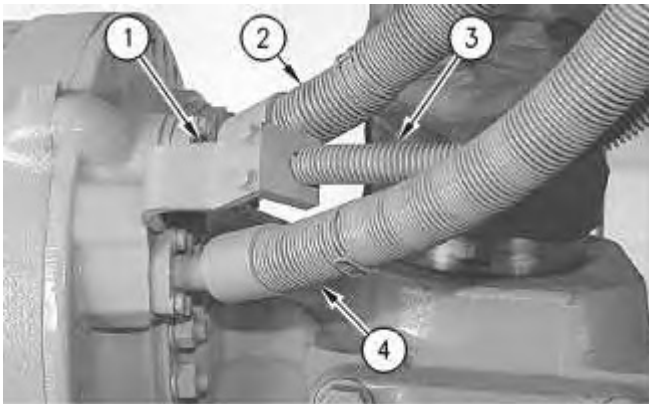


Illustration 6

g00648351

6. Connect hose assembly (2), hose assembly (3), and hose assembly (4) to the service brake. Install plate (1).
7. Purge the air from the brake system. Refer to System Operation, Testing and Adjusting, "Brake System Air - Purge".

End By:

- a. Install the front wheel, the bearing, and the Duo-Cone seal. Refer to Disassembly and Assembly, "Front Wheel, Bearing and Duo-Cone Seal - Install".

Product: TRUCK

Model: 777D TRUCK FKR

Configuration: 777D Off-Highway Truck FKR00001-UP (MACHINE) POWERED BY 3508B Engine

Disassembly and Assembly 777D and 777E Off-Highway Truck

Media Number -REN8432-08

Publication Date -01/10/2018

Date Updated -02/10/2018

i01316185

Service and Parking Brake (Rear) - Remove

SMCS - 4251-011-RE; 4267-011-RE

Removal Procedure

Table 1

Required Tools			
Tool	Part Number	Part Description	Qty
A	138-7574	Link Bracket	2

Start By:

- Remove the rear wheel, bearing, and the Duo-Cone seal. Refer to Disassembly and Assembly, "Rear Wheel, Bearing and Duo-Cone Seal - Remove" for the Power Train.



WARNING

Hot oil and hot components can cause personal injury. Do not allow hot oil or hot components to contact skin.

NOTICE

Care must be taken to ensure that fluids are contained during performance of inspection, maintenance, testing, adjusting, and repair of the product. Be prepared to collect the fluid with suitable containers before opening any compartment or disassembling any component containing fluids.

Refer to Special Publication, NENG2500, "Dealer Service Tool Catalog" for tools and supplies suitable to collect and contain fluids on Cat products.

Dispose of all fluids according to local regulations and mandates.

Note: Install caps and plugs on all openings in order to prevent dirt or debris from entering the system. Cleanliness is an important factor. Before the removal procedure, the exterior of the component should be thoroughly cleaned. This will prevent dirt from entering the internal mechanism.

1. Drain the oil from the hoist, torque converter, and brake tank into a suitable container for storage or for disposal. Refer to Operation and Maintenance Manual, "Hoist, Torque Converter and Brake Tank Oil - Change". The capacity of the tank is 250 L (66 US gal).

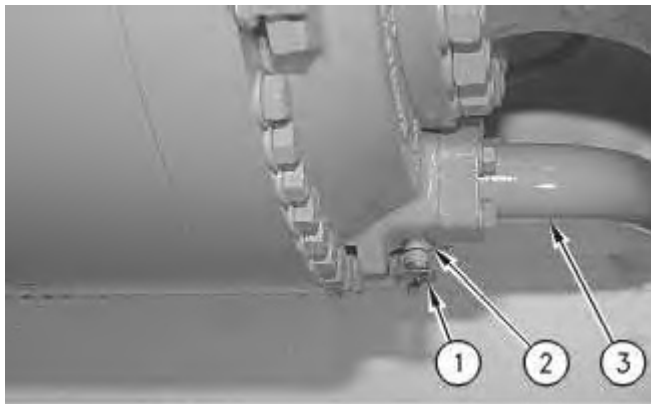


Illustration 1

g00648589

2. Position a suitable container under the brake housing in order to contain the oil for storage or for disposal. Remove dust cap (1) and nipple assembly (2) in order to drain the oil.
3. Disconnect tube assembly (3).

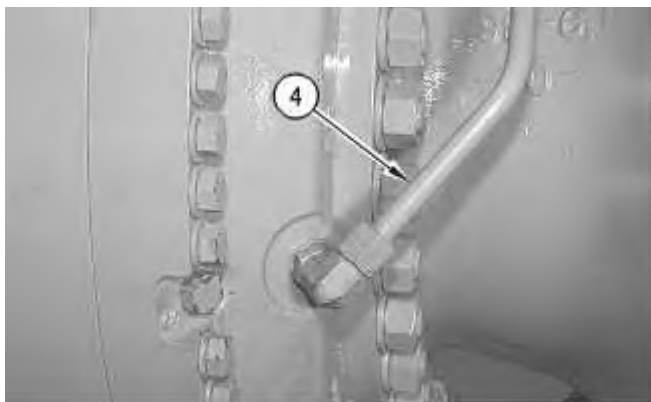


Illustration 2

g00648592

4. Disconnect tube assembly (4).
-

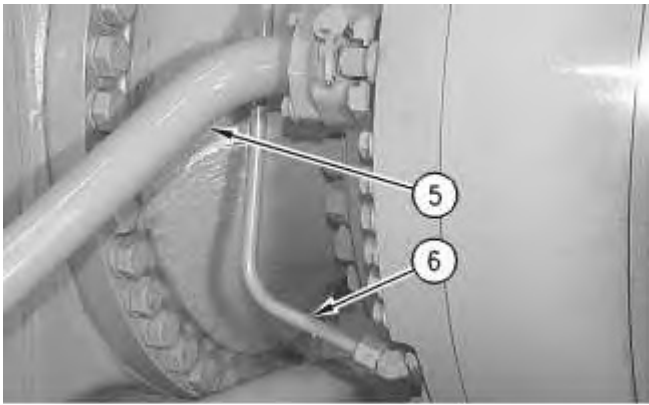


Illustration 3

g00648593

5. Disconnect tube assembly (5) and tube assembly (6).

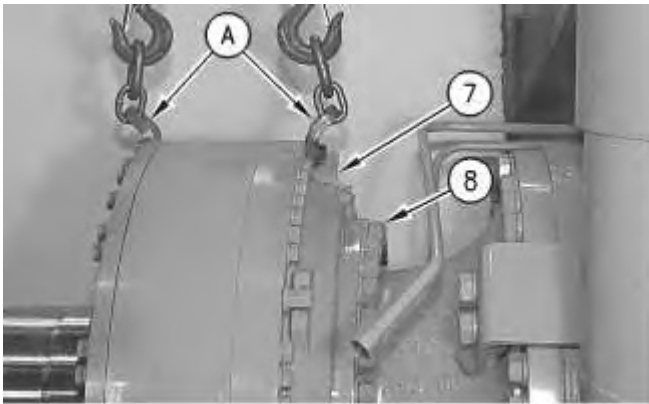


Illustration 4

g00648594

6. Attach Tooling (A) to brake housing assembly (7), as shown. Position a suitable lifting device on Tooling (A). Secure the suitable lifting device to a hoist.
7. Remove 28 full nuts (8) and the washers. Remove brake housing assembly (7) from the rear spindle assembly. The weight of the brake housing assembly is 630 kg (1390 lb).

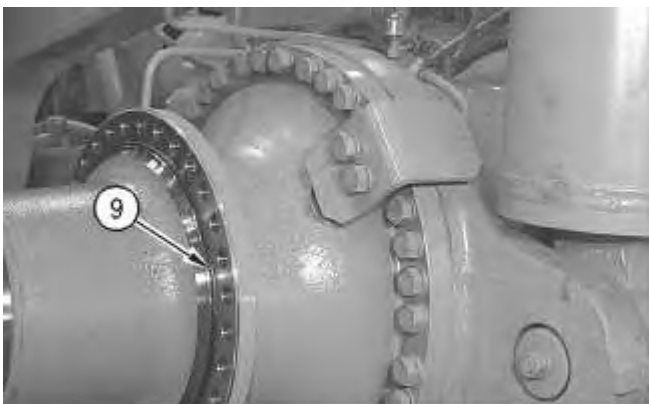


Illustration 5

g00648595

8. Remove O-ring seal (9).



Suggest:

For more complete manuals. Please go to the home page.

<https://www.ebooklibonline.com>

If the above button click is invalid. Please download this document first, and then click the above link to download the complete manual.

Thank you so much for reading

Product: TRUCK

Model: 777D TRUCK FKR

Configuration: 777D Off-Highway Truck FKR00001-UP (MACHINE) POWERED BY 3508B Engine

Disassembly and Assembly 777D and 777E Off-Highway Truck

Media Number -REN8432-08

Publication Date -01/10/2018

Date Updated -02/10/2018

i06222523

Service and Parking Brake (Rear) - Disassemble

SMCS - 4251-015-RE; 4267-015-RE

Disassembly Procedure

Table 1

Required Tools			
Tool	Part Number	Part Description	Qty
A	FT-1411	Lifting Bracket	2
B	138-7575	Link Bracket	2
C	1P-0510	Driver Group	1
D	138-7574	Link Bracket	2

Start By:

- A. Remove the rear service and parking brake. Refer to Disassembly and Assembly, "Service and Parking Brake (Rear) - Remove".
-

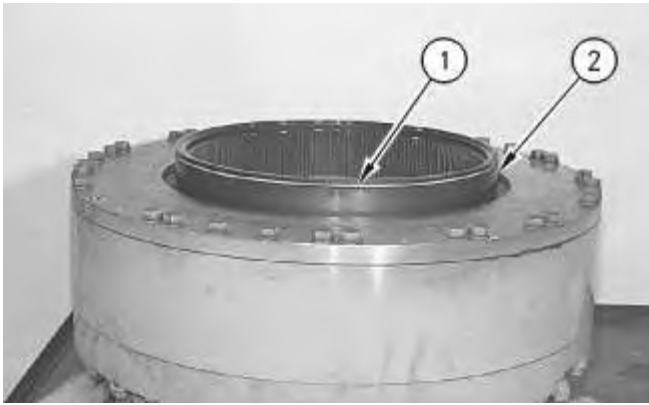


Illustration 1

g00648729

1. Remove ring seal (1) from brake hub (2) .

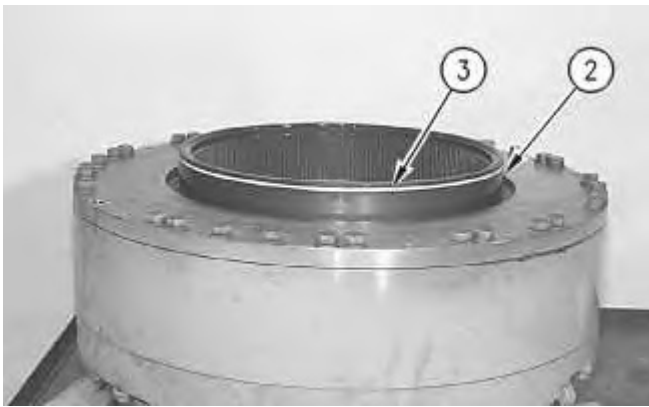


Illustration 2

g00648734

2. Remove seal ring (3) from brake hub (2) .

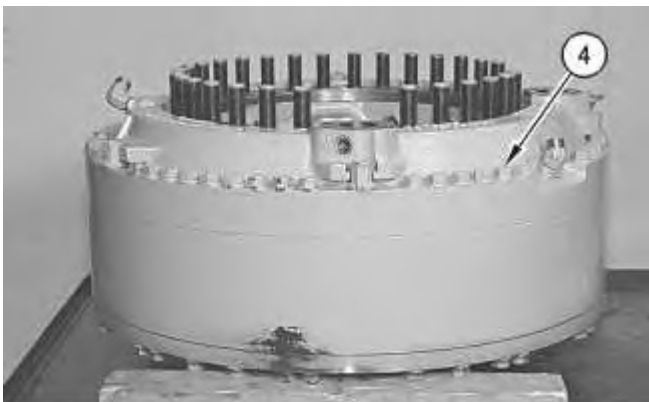


Illustration 3

g00648737

<https://www.ebooklibonline.com>

Hello dear friend!

Thank you very much for reading.

Enter the link into your browser.

The full manual is available for immediate download.

<https://www.ebooklibonline.com>